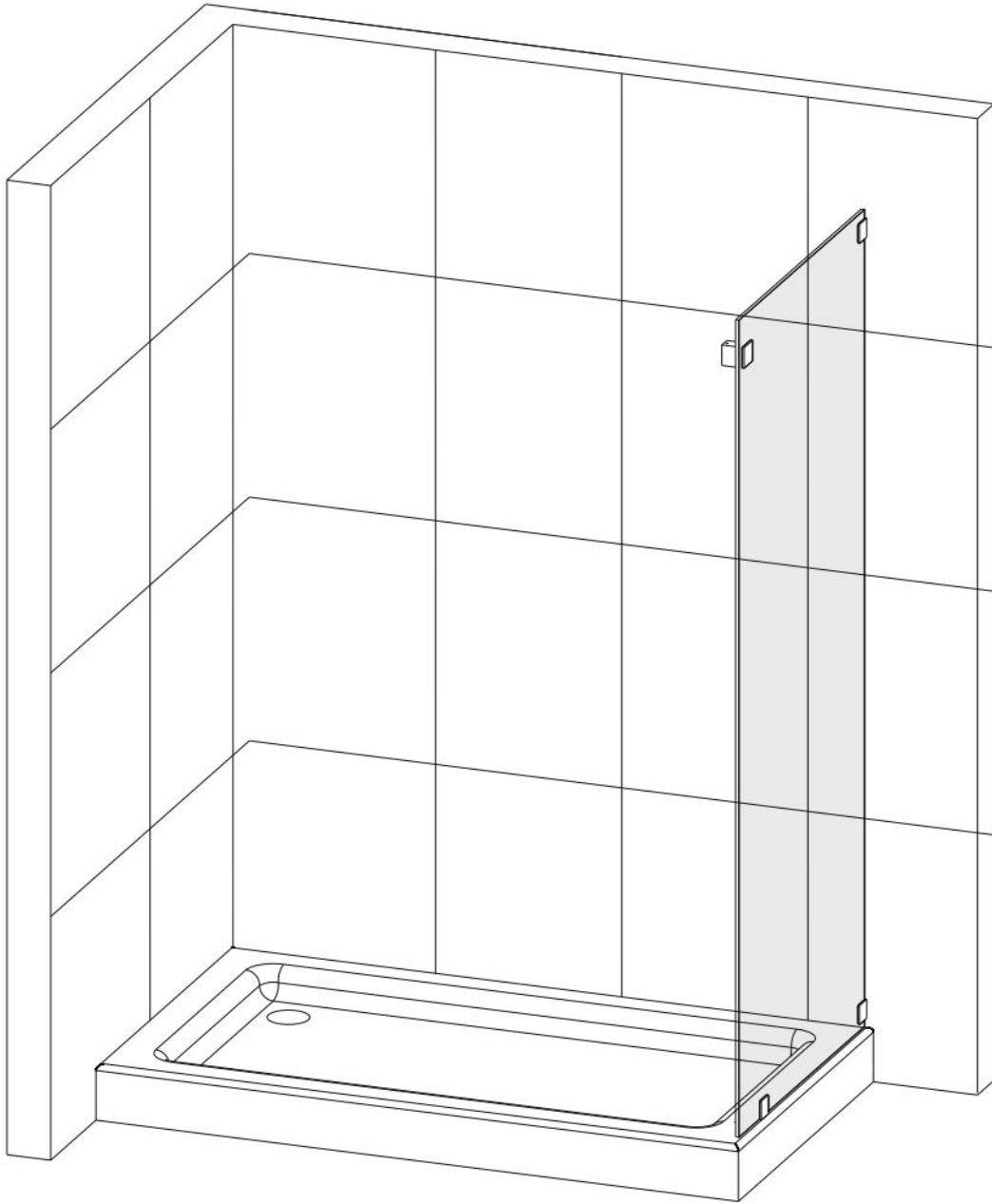


# RETURN PANEL WITH WALL-CLAMPS INSTRUCTION MANUAL



**2 PEOPLE REQUIRED**

***Please keep this manual and product code number for future reference  
and for ordering replacement parts if necessary.***

---

## **GENERAL INSTRUCTIONS**

- Read this manual carefully and completely before proceeding.
- It is recommended that you wear safety glasses at all times during the installation.

## **INSTALLATION OVER CERAMIC TILES**

- If your shower door is to be installed over ceramic tiles, the tiles should lay completely under the wall jamb.
- Silicone should be used to seal the gap where the ceramic tiles meet the fixed panel.

## **NOTICE**

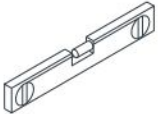



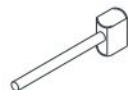





- Caulking: no sealant is required inside the shower, unless otherwise stated.
- Some models are equipped with clear sealing gaskets.

## **CARE FOR YOUR SHOWER DOOR**

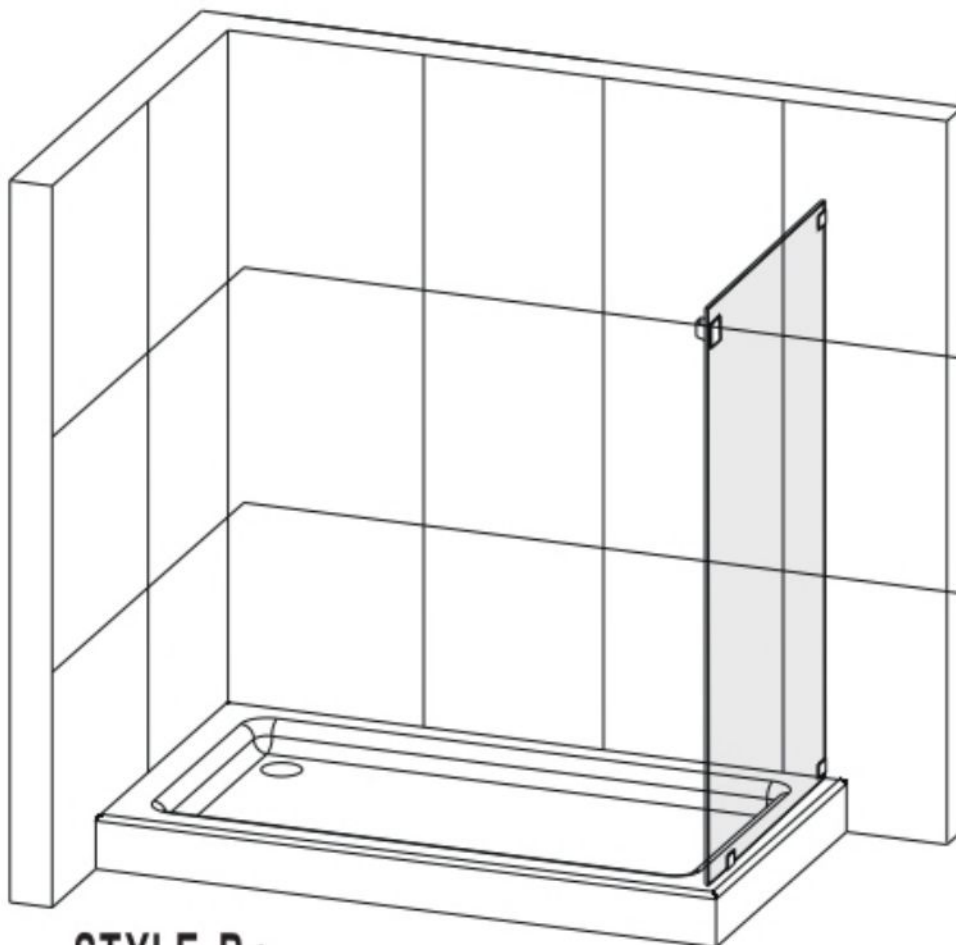
- Never use scouring powder pads or sharp instruments on metal pieces or glass panels.  
An occasional wiping down with a mild soap diluted in water is all that is needed to keep the panels and aluminum parts looking new.
- We recommend wiping the glass panels with a squeegee after each use.

This is the installation instruction for Return Panel,  
which need to be installed prior to the shower door installation.

# TOOLS REQUIRED

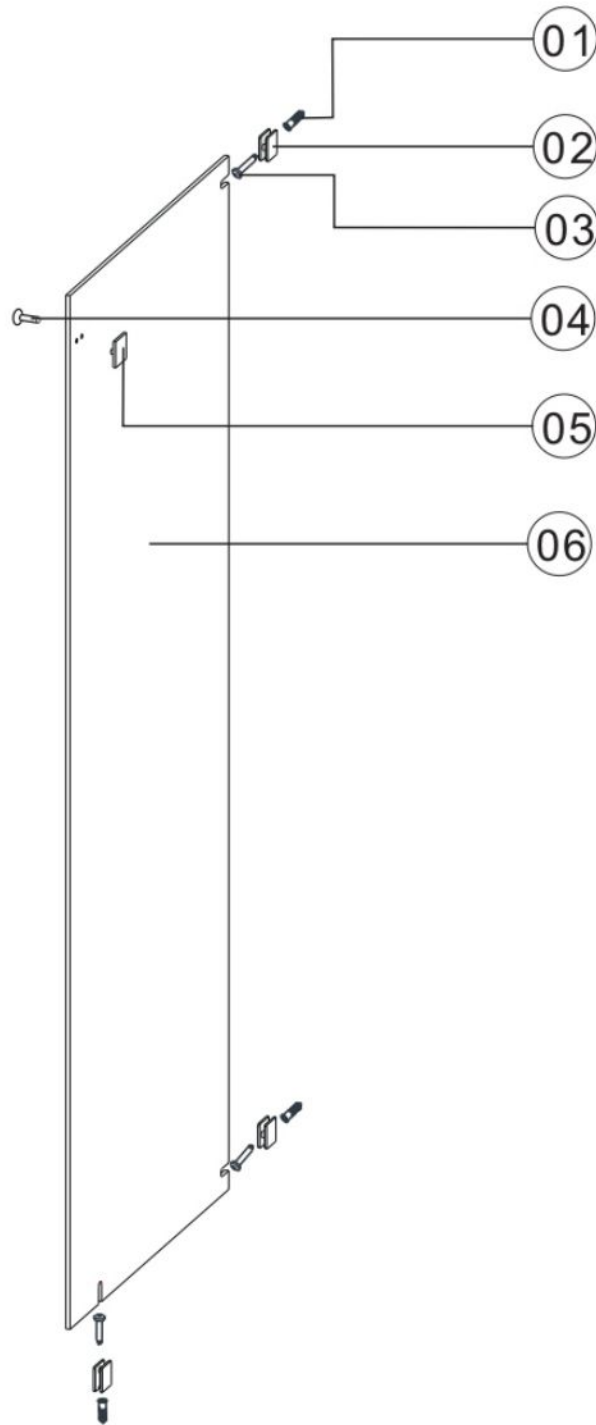
 SPIRIT LEVEL	 POWER DRILL	 PENCIL	 SILICONE	 MALLET
 TAPE MEASURE	 SCREW DRIVER	 6mm&3mm(1/4" & 1/8") DRILL BITS	 HACKSAW	 SAFETY GLASSES

\* Use a 6mm(1/4") drill bit for ceramic when drilling into ceramic tiles









**STYLE B:**

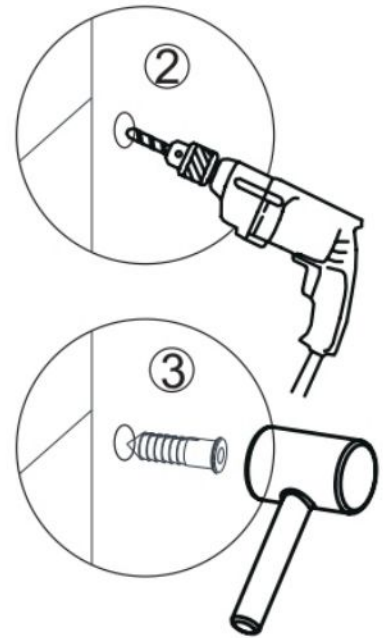
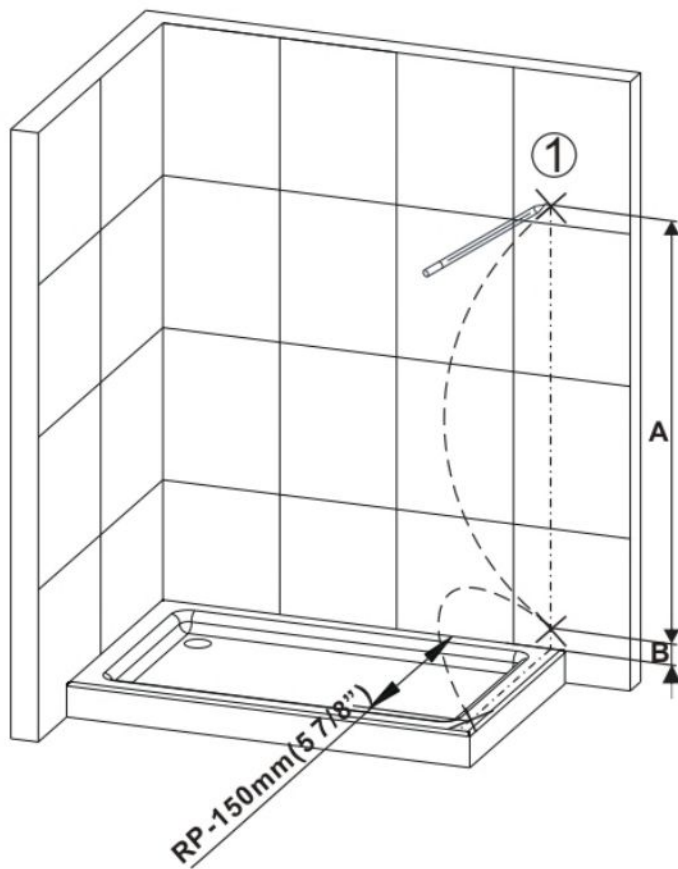
# PARTS LISTING



## STYLE B :

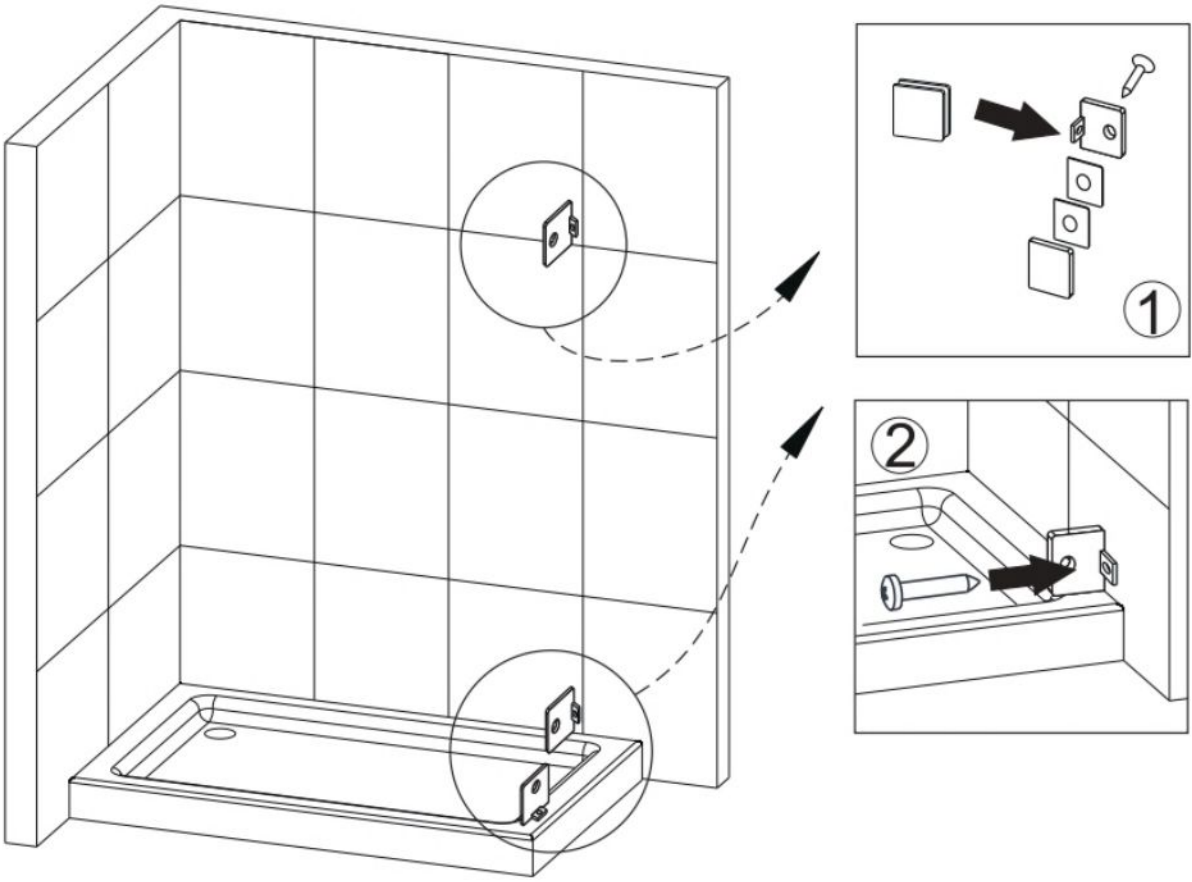
ITEM	PARTS	DIAGRAM	QTY
1	Wall plugs Ø6		3
2	Wall mount bracket		3
3	Screw St4x30		3
4	Screw M6x25		1
5	Connector cap		1
6	Return panel		1

1

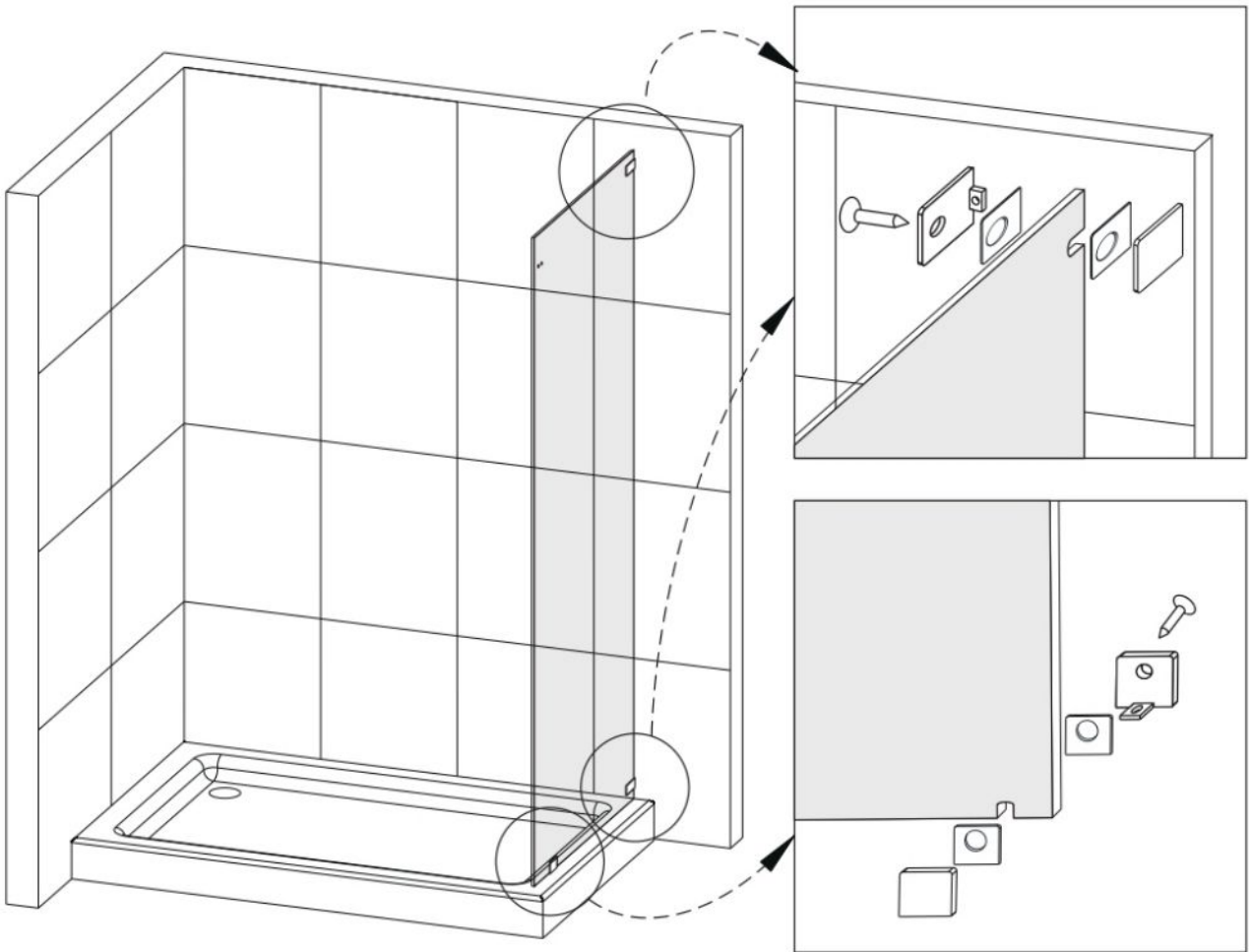


Product Height	B
1524mm(60")	50mm (1 15/16")
1676mm(66")	
1828mm(72")	
1905mm(75")	
1930mm(76")	
1981mm(78")	
2006mm(79")	

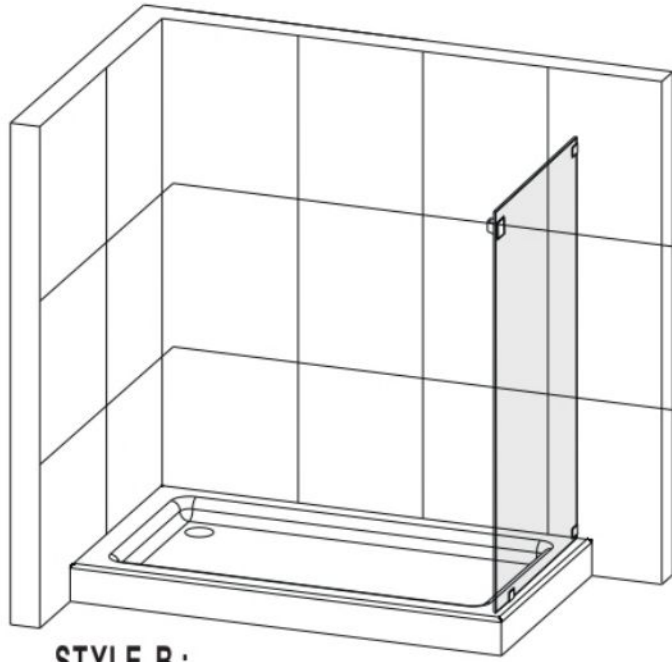
2



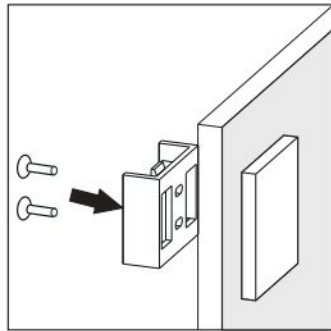
3



4

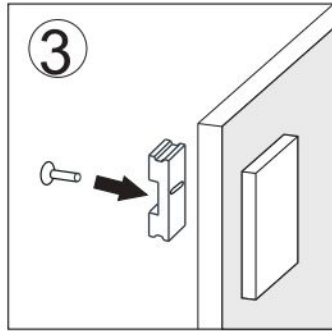
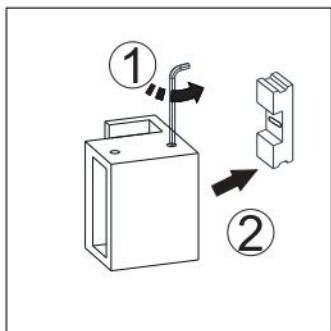


STYLE B:



SHOWER DOOR MODEL:  
DS01

OR



OR

