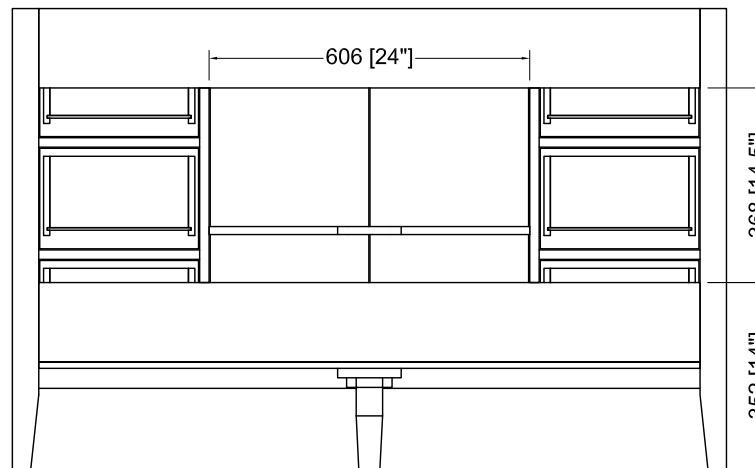
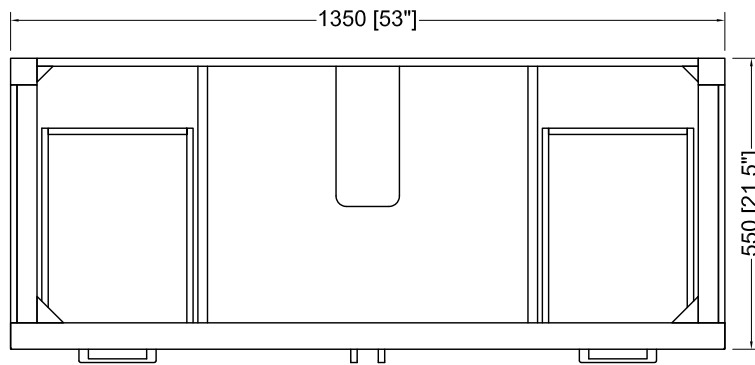
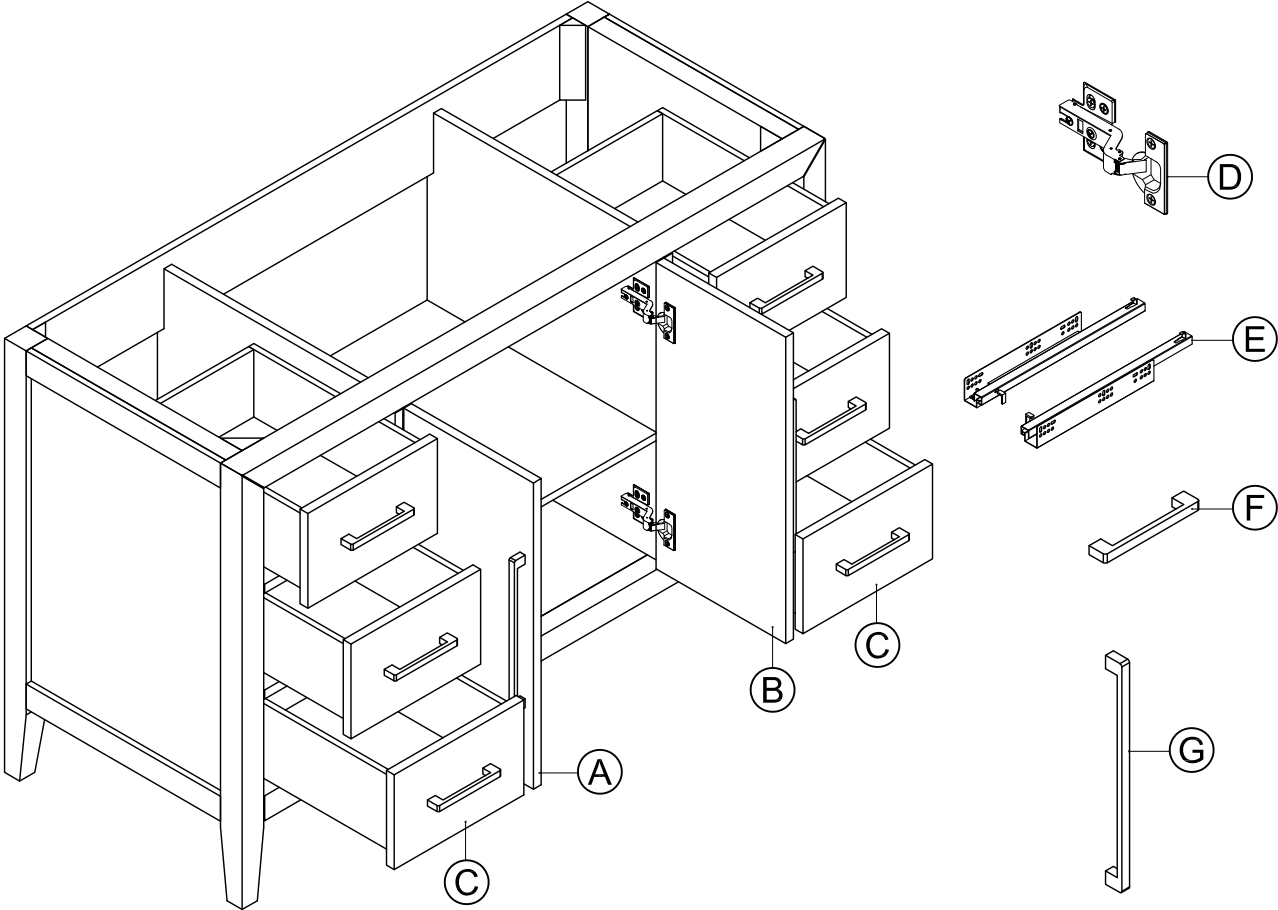


Measures: millimeter [inch]

## DIMENSIONS

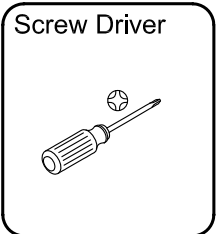
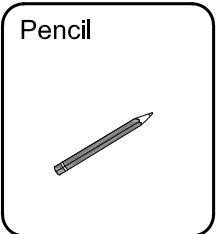
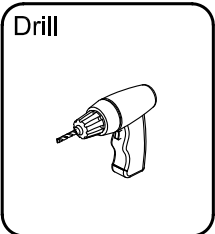


# PART LIST



PART#	DESCRIPTION	QUANTITY
<b>A</b>	Door(left)	<b>1</b>
<b>B</b>	Door(right)	<b>1</b>
<b>C</b>	Drawer	<b>6</b>
<b>D</b>	Hinge(door)	<b>4</b>
<b>E</b>	Drawer glides	<b>6</b>
<b>F</b>	Handle(Drawer)	<b>6</b>
<b>G</b>	Handle(door)	<b>2</b>

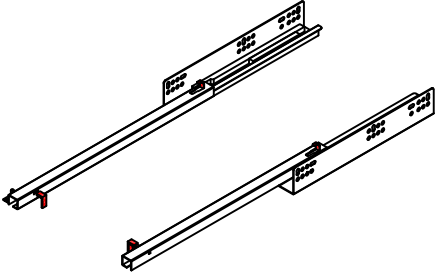
## TOOLS REQUIRED (not supplied)



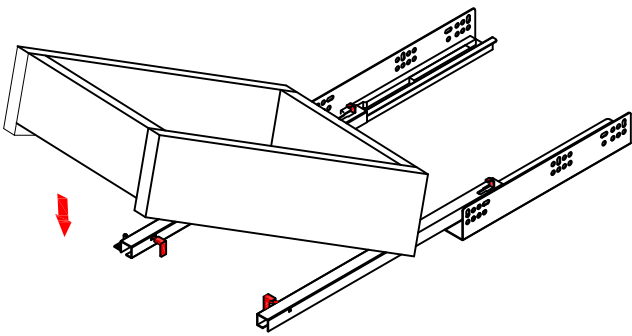
# Adjust Slider For Drawer

## INSTALL

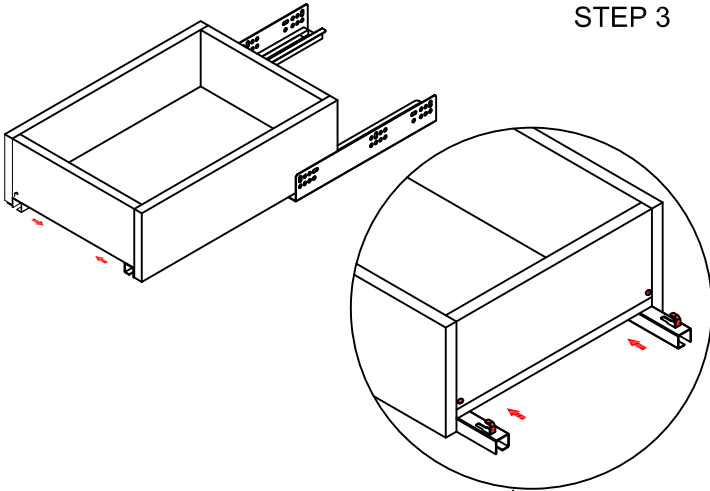
STEP 1



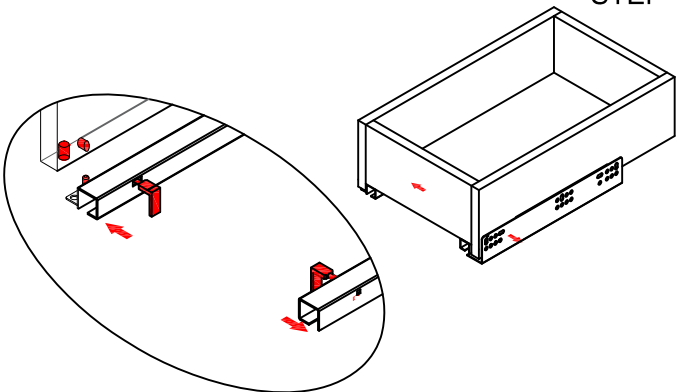
STEP 2



STEP 3

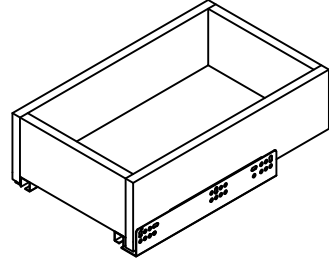


STEP 4

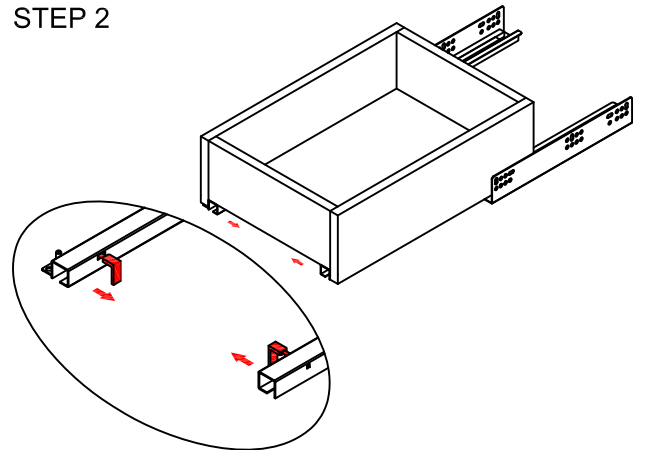


## REMOVE

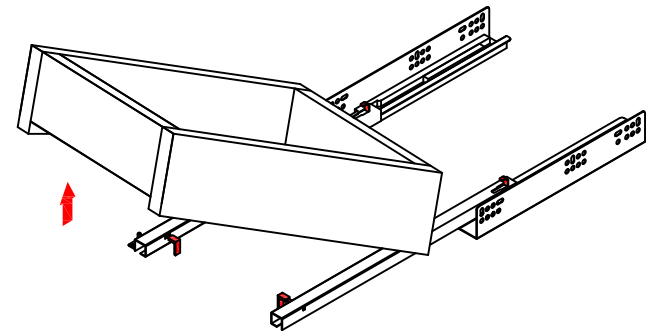
STEP 1



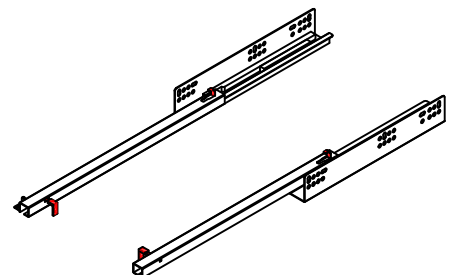
STEP 2



STEP 3

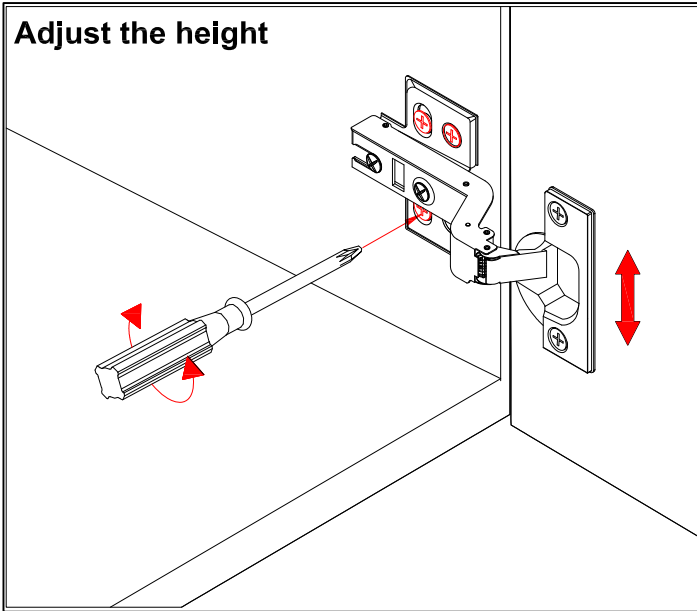


STEP 4

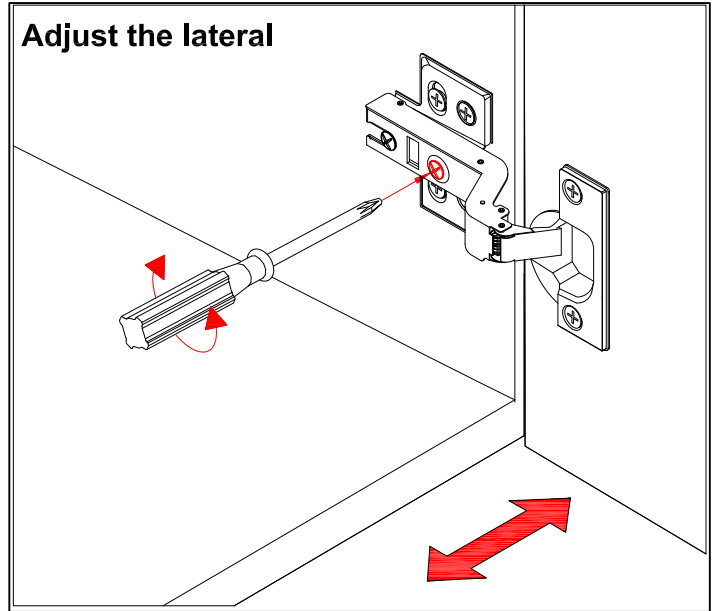


# INSTALLATION AND ADJUSTION OF HINGE

**Adjust the height**



**Adjust the lateral**



**Adjust the deep**

