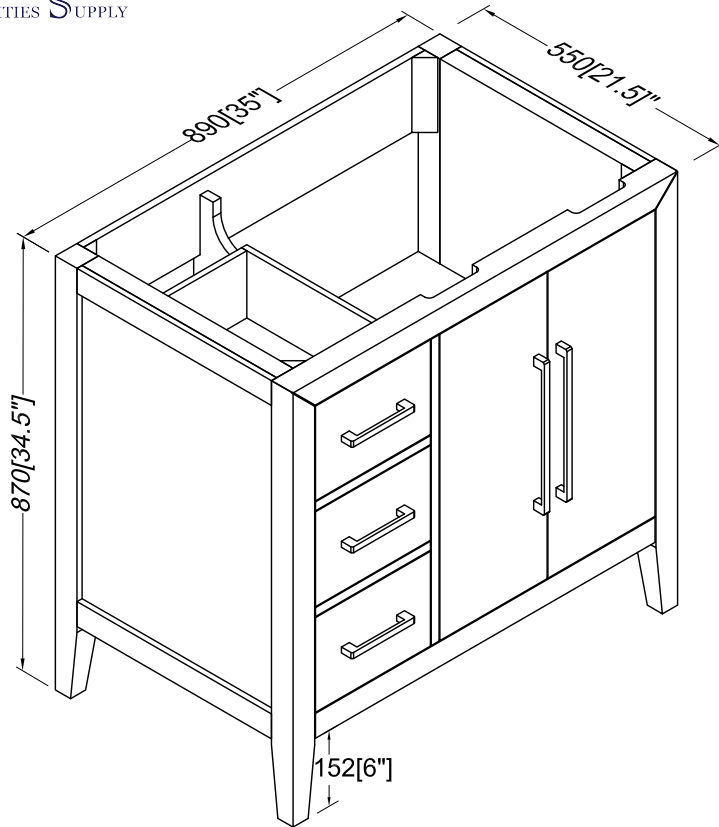




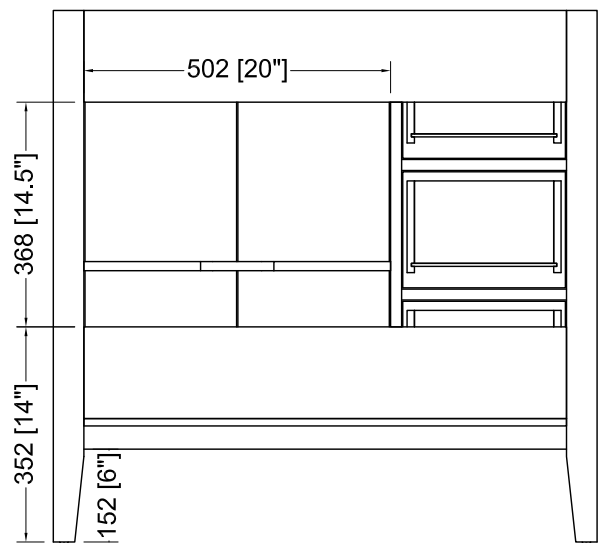
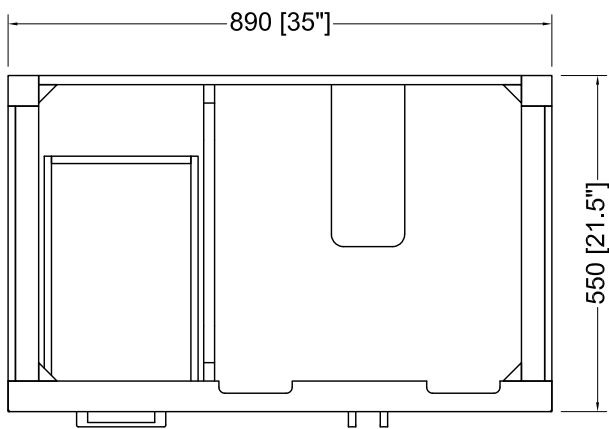
CONSTRUCTION COMMODITIES SUPPLY

CCS901-36L-WO

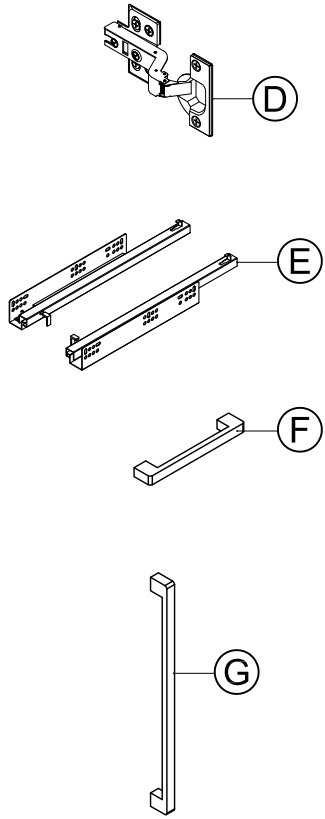
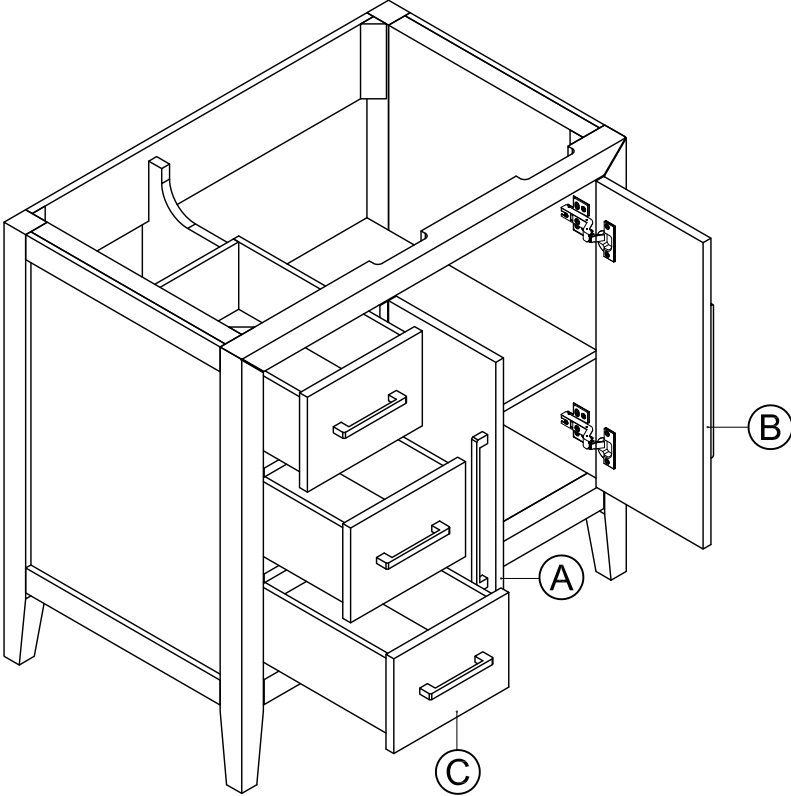


Measures: millimeter [inch]

DIMENSIONS



PART LIST



PART#	DESCRIPTION	QUANTITY
A	Door(left)	1
B	Door(right)	1
C	Drawer	3
D	Hinge(door)	4
E	Drawer glides	3
F	Handle(Drawer)	3
G	Handle(door)	2

TOOLS REQUIRED (not supplied)

Measuring Tape

Drill

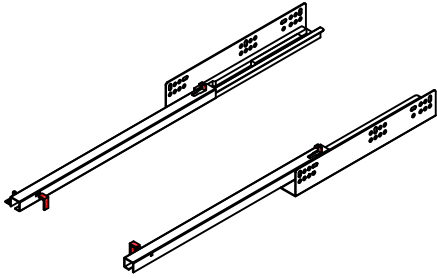
Pencil

Screw Driver

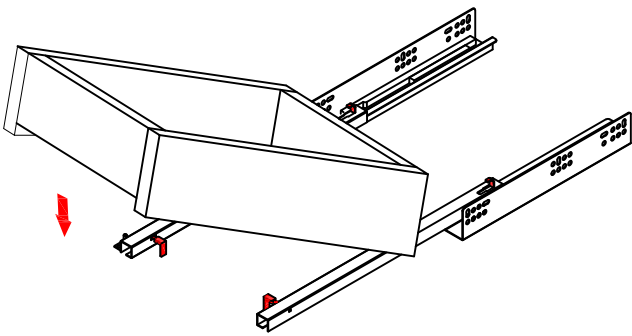
Adjust Slider For Drawer

INSTALL

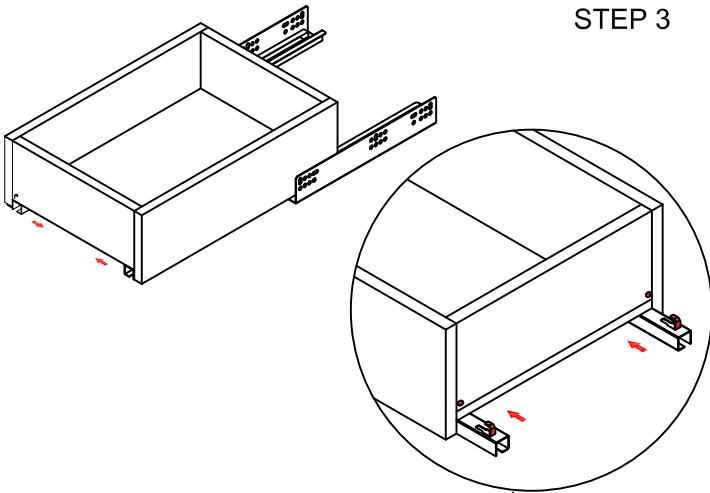
STEP 1



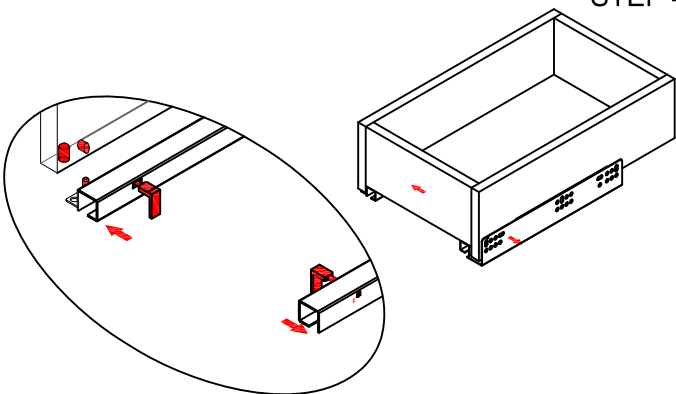
STEP 2



STEP 3

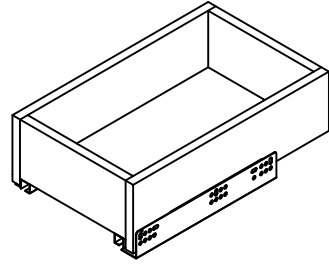


STEP 4

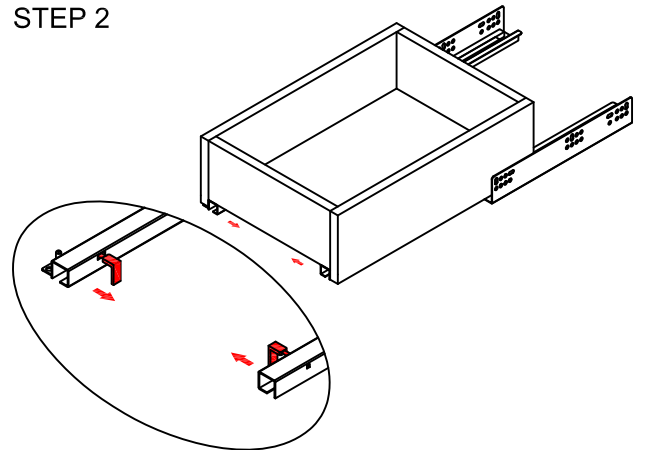


REMOVE

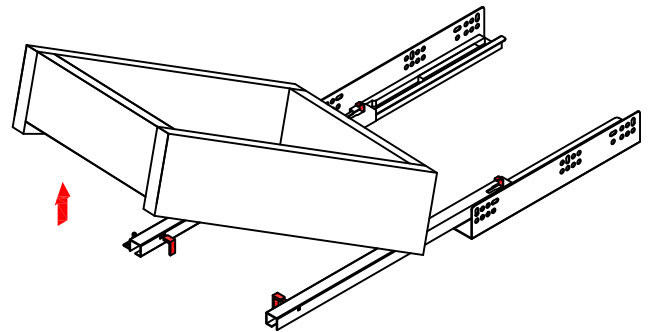
STEP 1



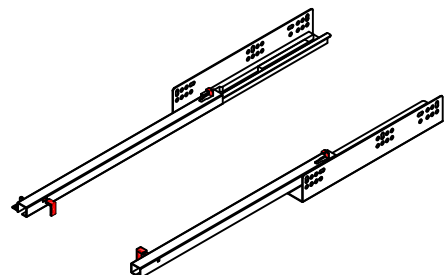
STEP 2



STEP 3

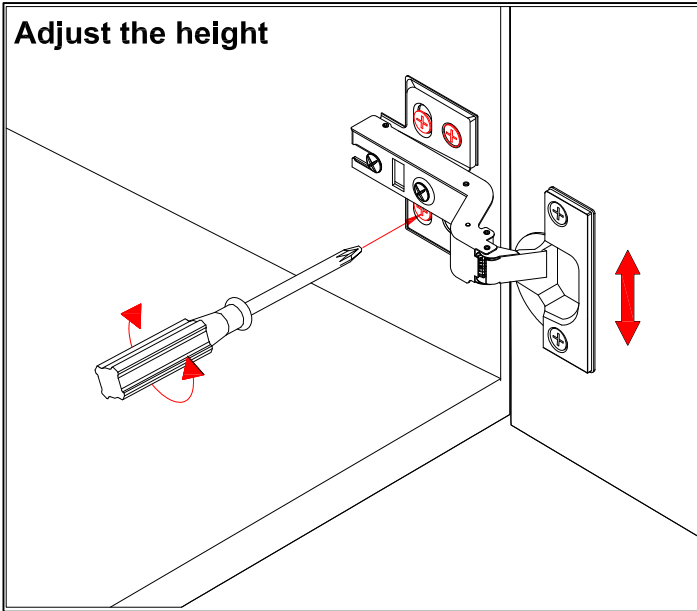


STEP 4

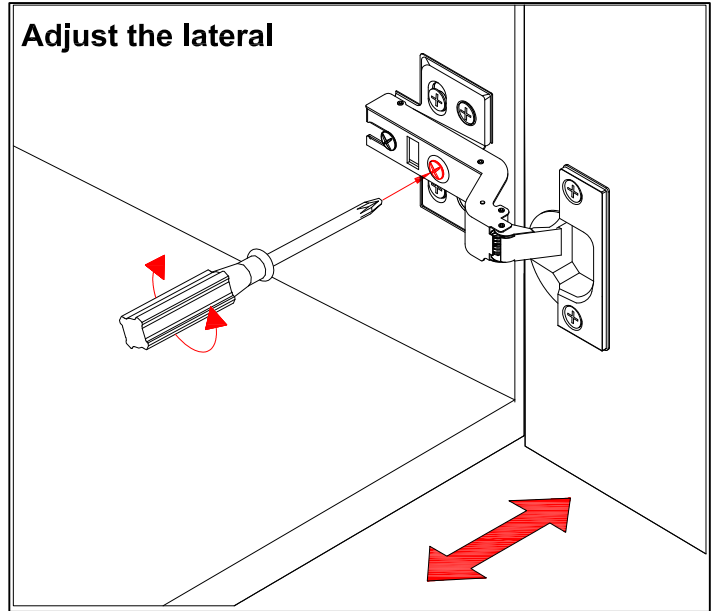


INSTALLATION AND ADJUSTION OF HINGE

Adjust the height



Adjust the lateral



Adjust the deep

