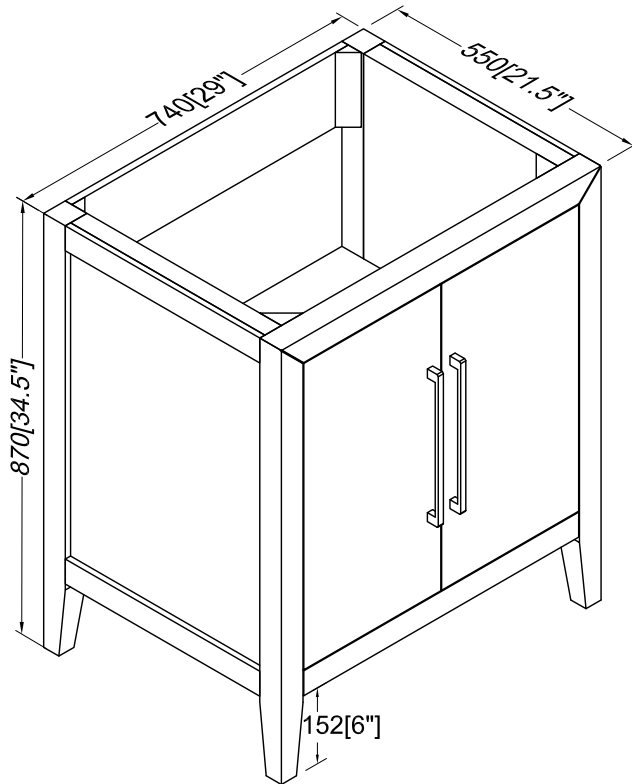




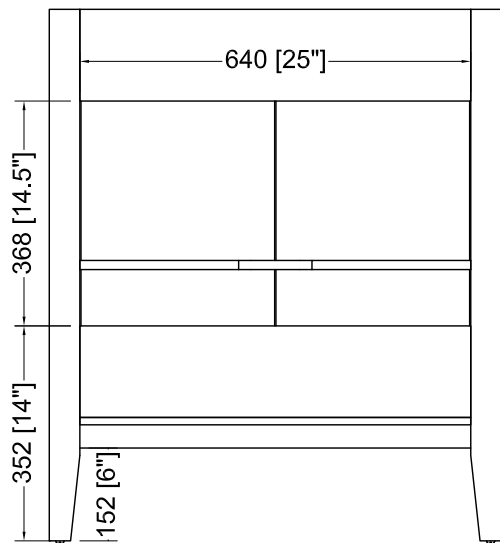
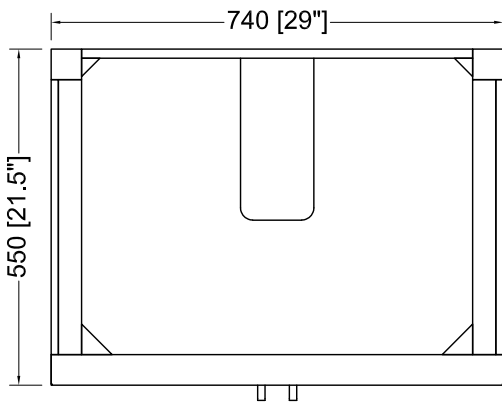
CONSTRUCTION COMMODITIES SUPPLY

CCS901-30-WO

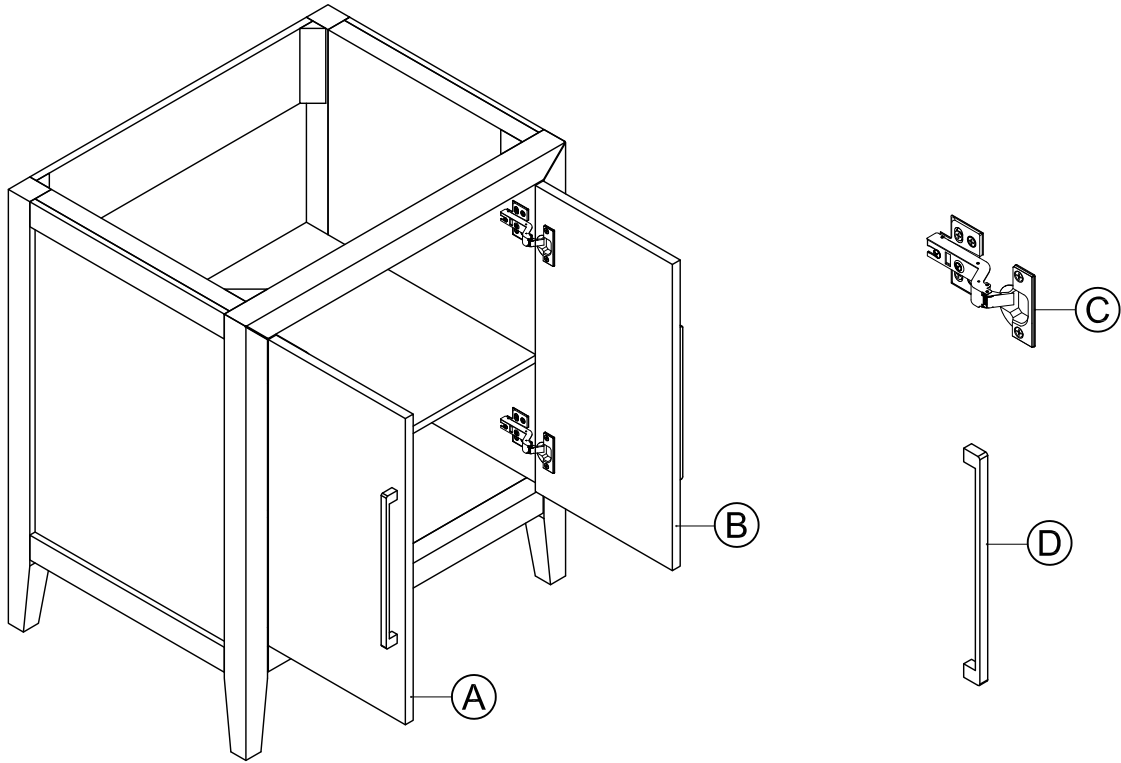


Measures: millimeter [inch]

DIMENSIONS



PART LIST



PART#	DESCRIPTION	QUANTITY
A	Door(left)	1
B	Door(right)	1
C	Hinge(door)	4
D	Handle	2

TOOLS REQUIRED (not supplied)

Measuring Tape

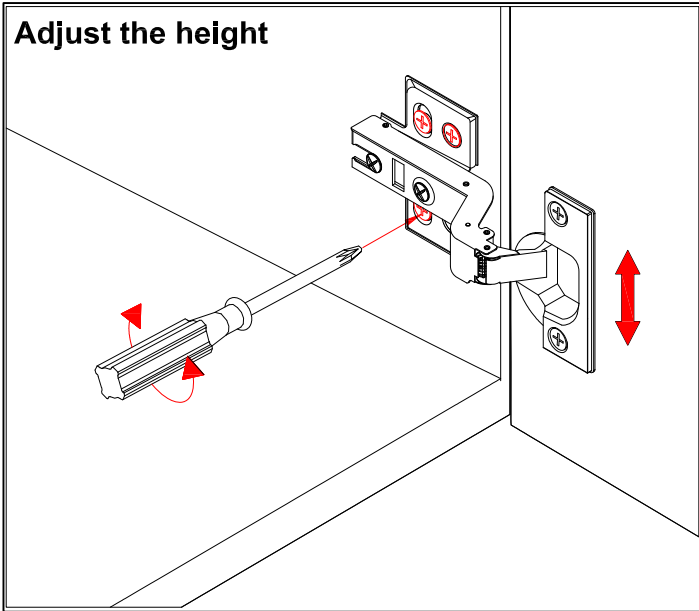
Drill

Pencil

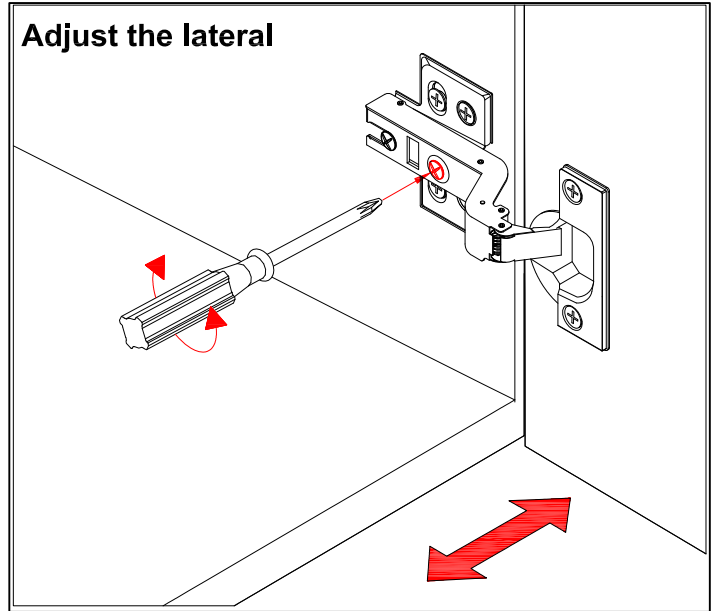
Screw Driver

INSTALLATION AND ADJUSTION OF HINGE

Adjust the height



Adjust the lateral



Adjust the deep

