

PAN 3"/EQ Clamp /230mm

#2451566

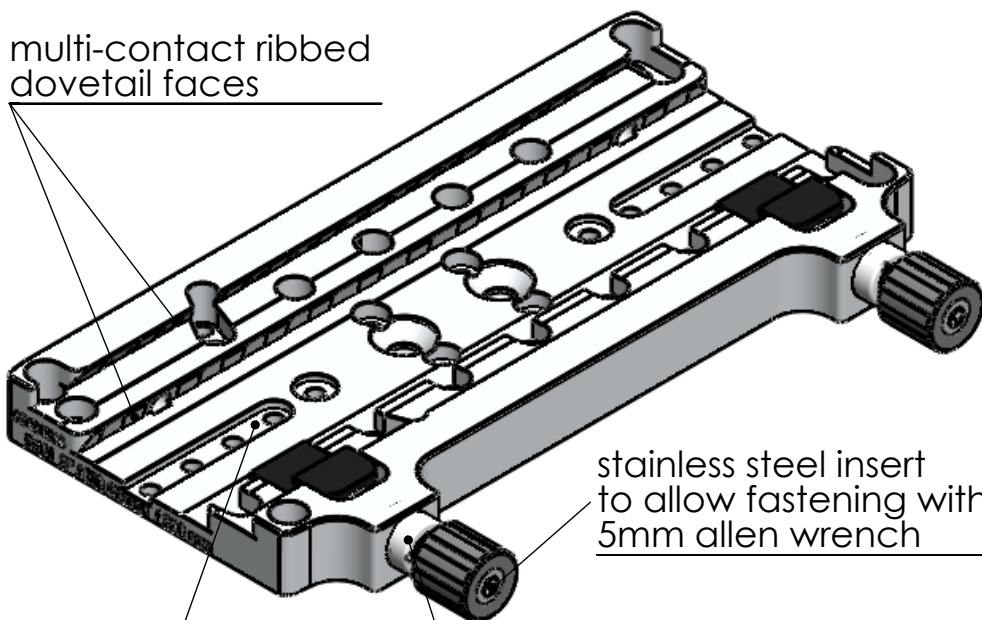


- Clamps all 3" (Losmandy) and EQ- (Vixen/Celestron/Skywatcher) dovetails - minimum dovetail length 190mm
- Dimension: 230mm length, 153mm maximum width
- Weight: 1150g
- Mount hole patterns matching most manufacturers norm - also for attaching onto tube-rings and mounting-plates
- Multi-contact ribbed dovetail faces for optimized grip

Dual dovetail clamp for 3" (Losmandy) and EQ (Vixen/Celestron/Skywatcher) dovetails - with multi-mount hole pattern



thumb-knob above mounting surface



multi-contact ribbed dovetail faces

stainless steel insert to allow fastening with 5mm allen wrench

cutouts for stop screw on dovetail

stainless steel inserts for long lasting function



BAADER PLANETARIUM ^{GMBH}

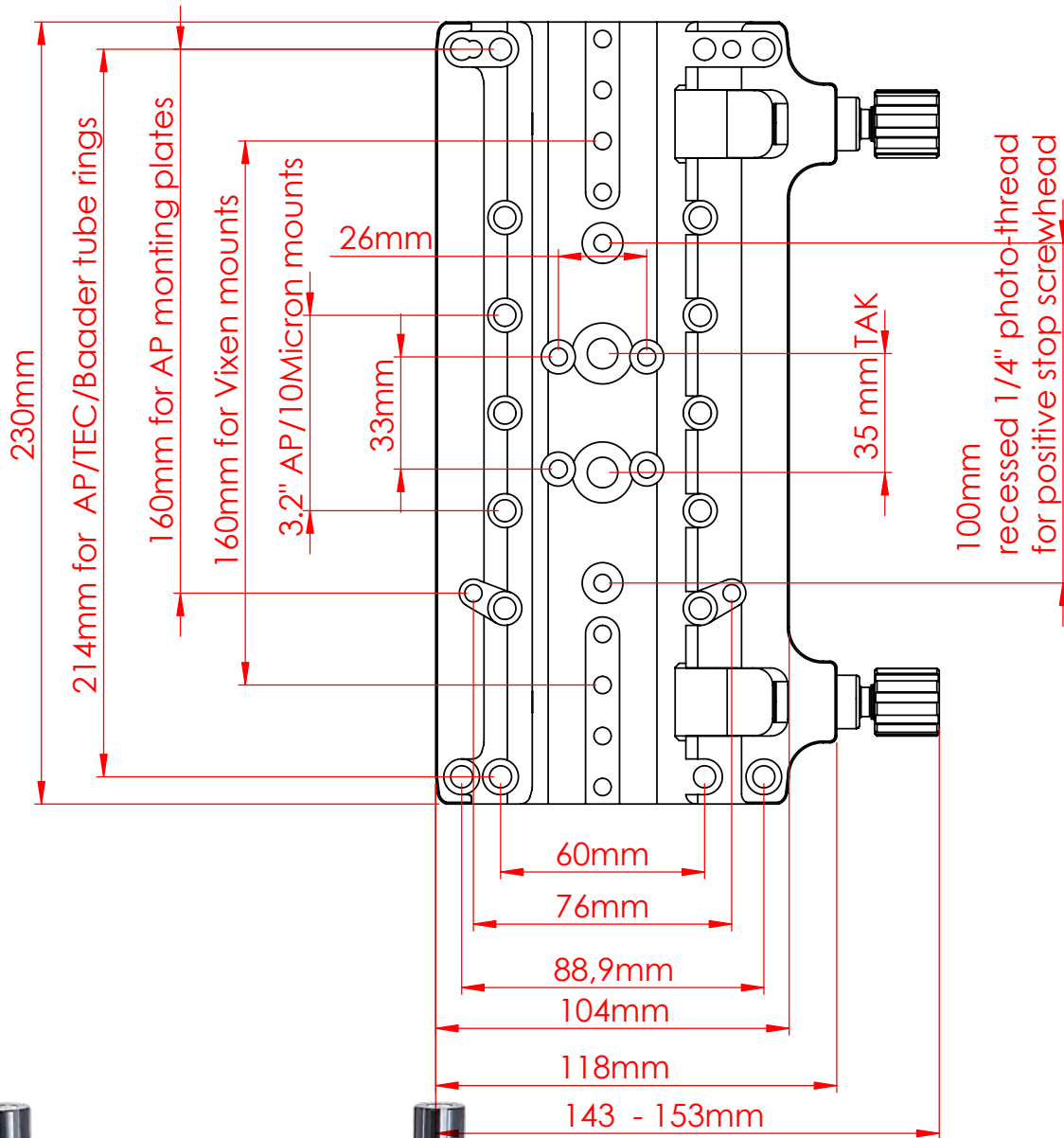
Zur Sternwarte • D-82291 Mammendorf • Tel. +49 (0) 8145 / 8089-0 • Fax +49 (0) 8145 / 8089-105
Baader-Planetarium.de • kontakt@baader-planetarium.de • Celestron-Deutschland.de

PAN 3"/EQ Clamp /230mm

#2451566



Mount hole patterns



BAADER PLANETARIUM

Zur Sternwarte • D-82291 Mammendorf • Tel. +49 (0) 8145 / 8089-0 • Fax +49 (0) 8145 / 8089-105
Baader-Planetarium.de • kontakt@baader-planetarium.de • Celestron-Deutschland.de

G
M
B
H