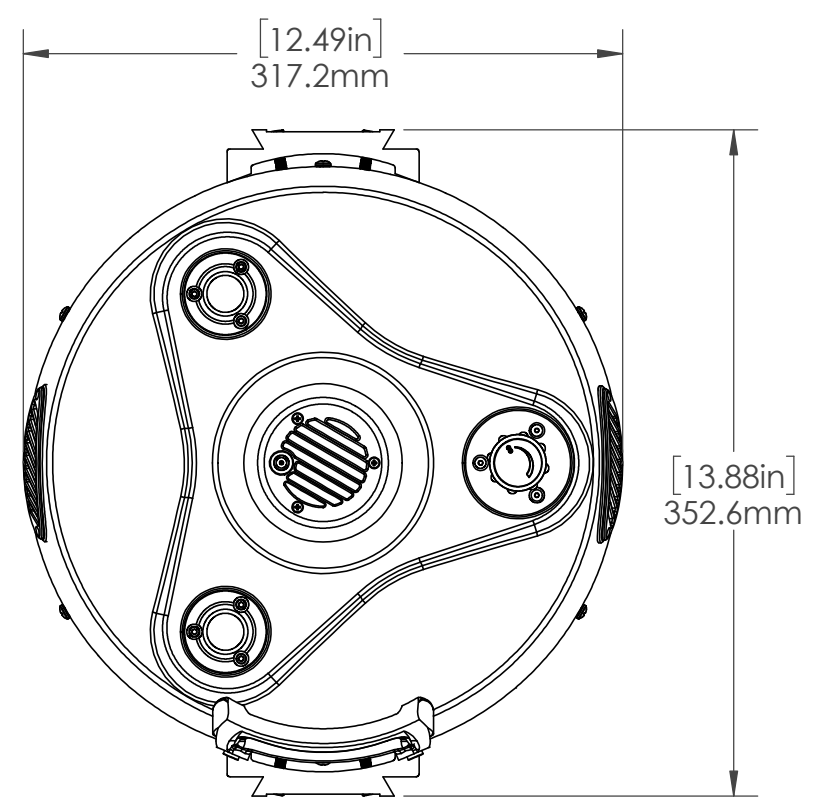
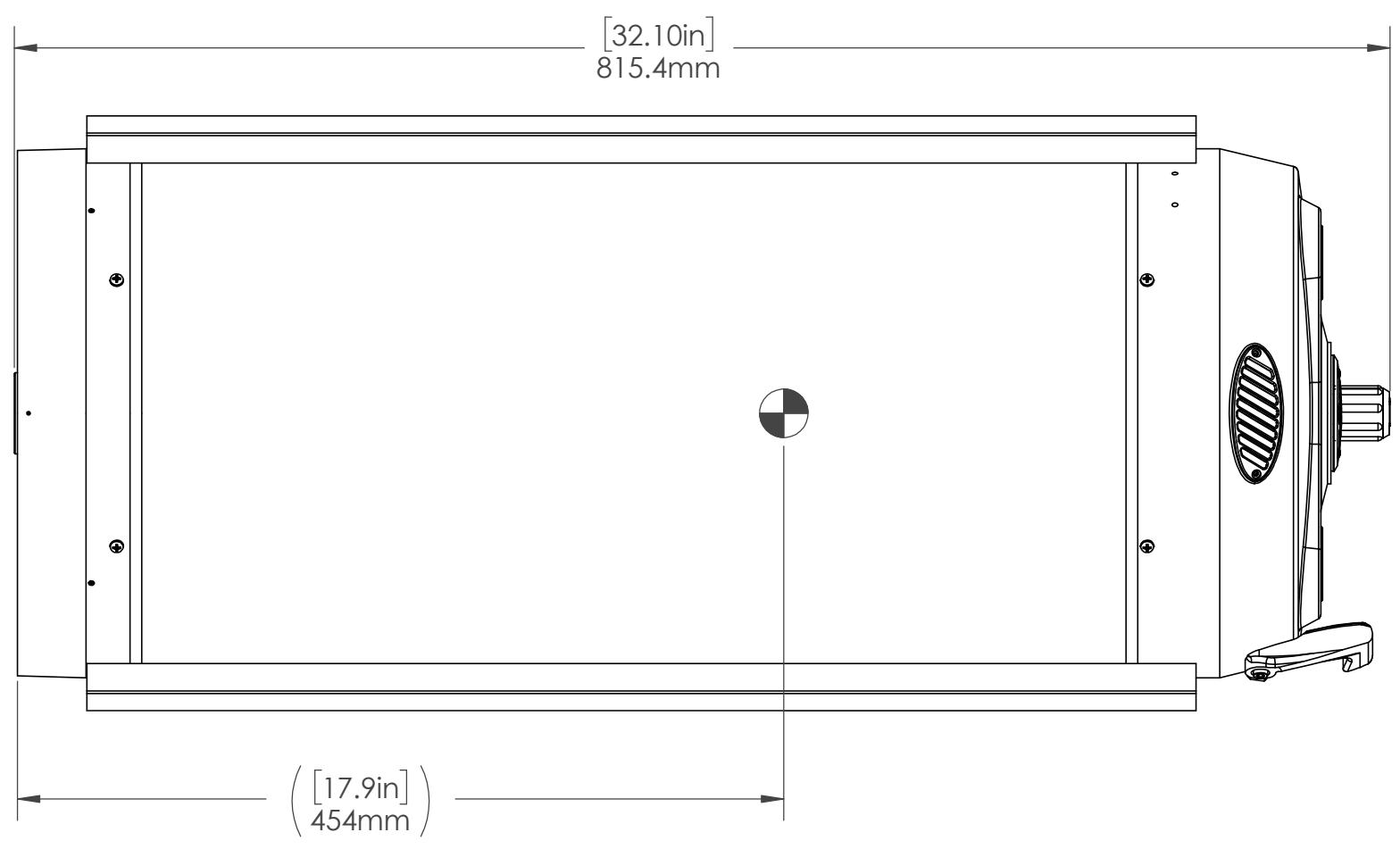


8 7 6 5 4 3 2 1

D
C
B
A



D
C
B
A

PROPRIETARY AND CONFIDENTIAL
THE INFORMATION CONTAINED IN THIS DRAWING IS THE SOLE PROPERTY OF CELESTRON, LLC. ANY REPRODUCTION IN PART OR AS A WHOLE WITHOUT THE WRITTEN PERMISSION OF CELESTRON, LLC IS PROHIBITED.

UNLESS OTHERWISE SPECIFIED:
DIMENSIONS ARE IN MILLIMETER
TOLERANCES:
ANGULAR: MACH ± 0.50
TWO PLACE DECIMAL ±0.35
THREE PLACE DECIMAL ±0.100
INTERPRET GEOMETRIC TOLERANCING PER:
MATERIAL
FINISH
DO NOT SCALE DRAWING

	THIRD ANGLE PROJECTION	NAME	DATE
DRAWN	WM	09/25/20	
CHECKED			
ENG APPR.			
MFG APPR.			
Q.A.			
COMMENTS:			

2835 Columbia St. Torrance, CA 90503

TITLE:
11" RASA OTA Dimension

SIZE	DWG. NO.	REV
B	11SCM100_Rev5	
SCALE: 1:8	WEIGHT:	SHEET 1 OF 1

8 7 6 5 4 3 2 1