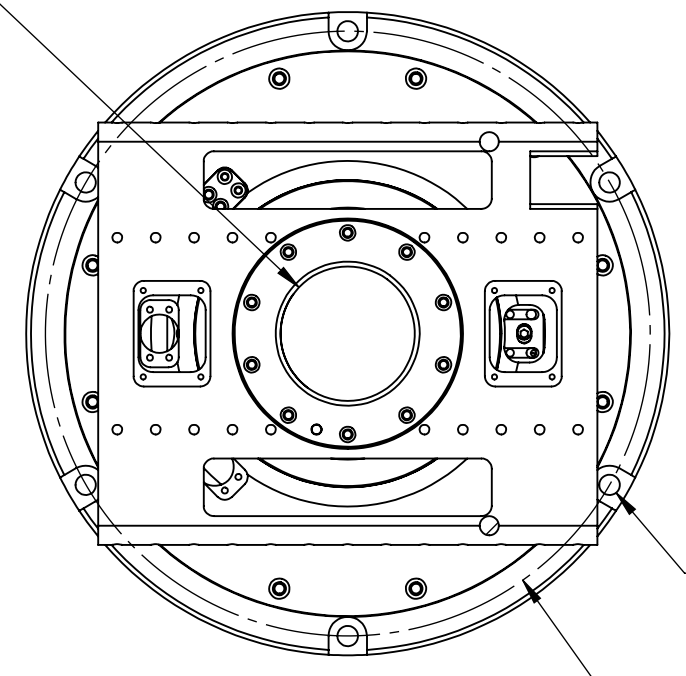


REVISIONS				
ZONE	REV.	DESCRIPTION	DATE	APPROVED
	A	INITIAL RELEASE	8/30/2017	KAI

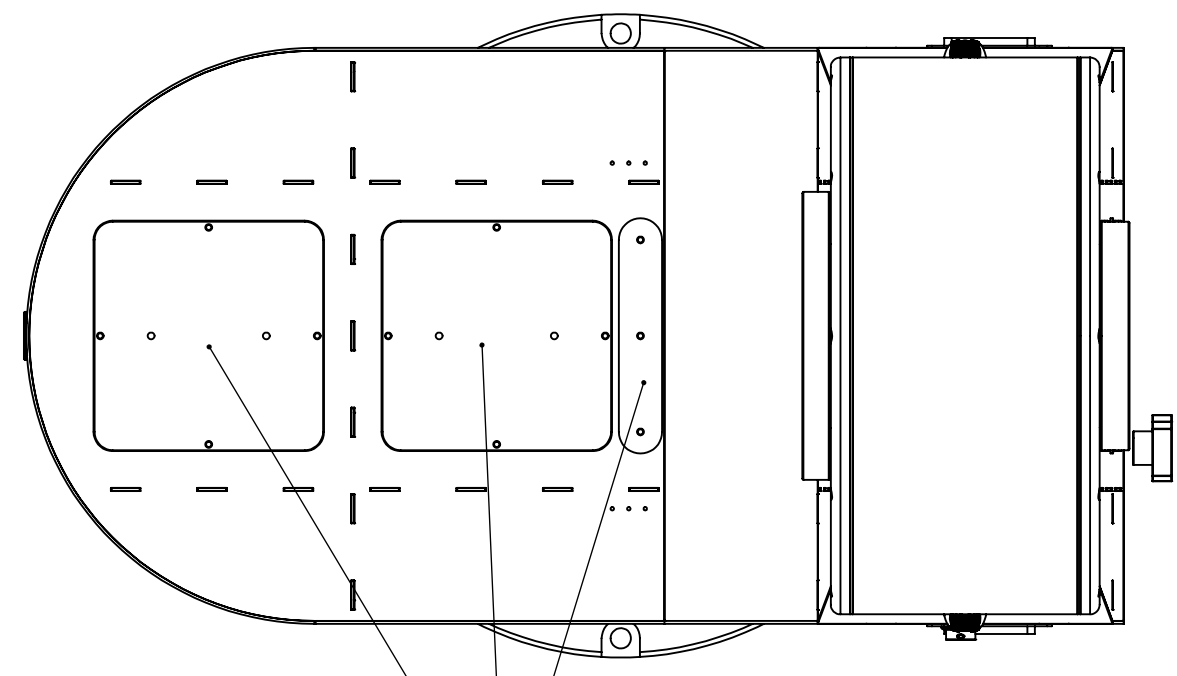
Ø 3.500 THROUGH FOR CABLING



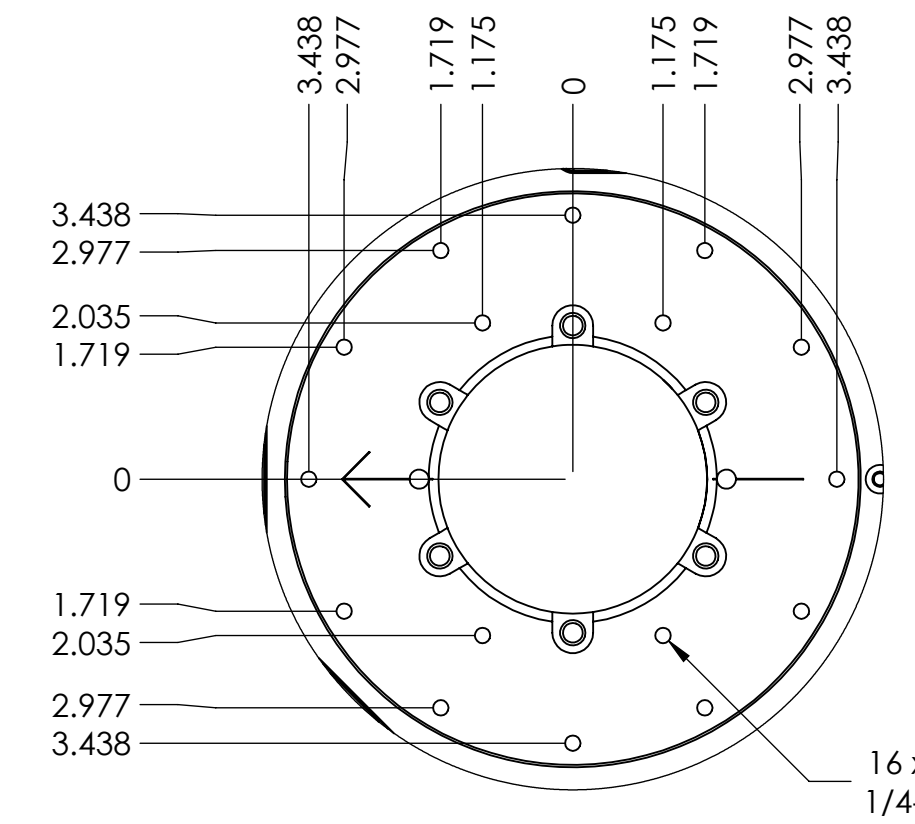
6 x Ø 0.53 THRU ALL  
 □ 1.00 ± 0.63  
 CLEARANCE FOR 1/2" OR M12  
 SOCKET HEAD CAP SCREWS

SECTION D-D  
 BASE MOUNTING  
 DIMENSIONS

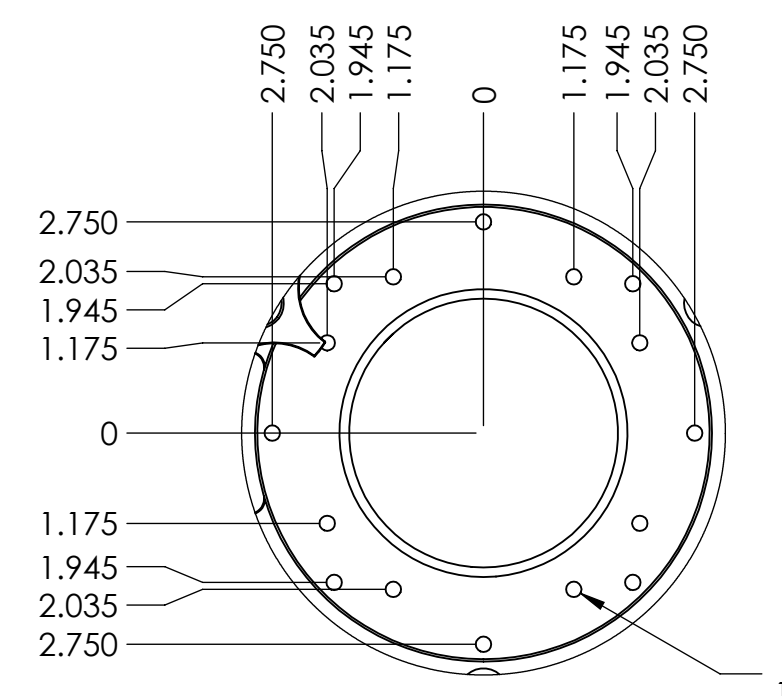
Ø 15.750



USER WIRE ACCESS COVER



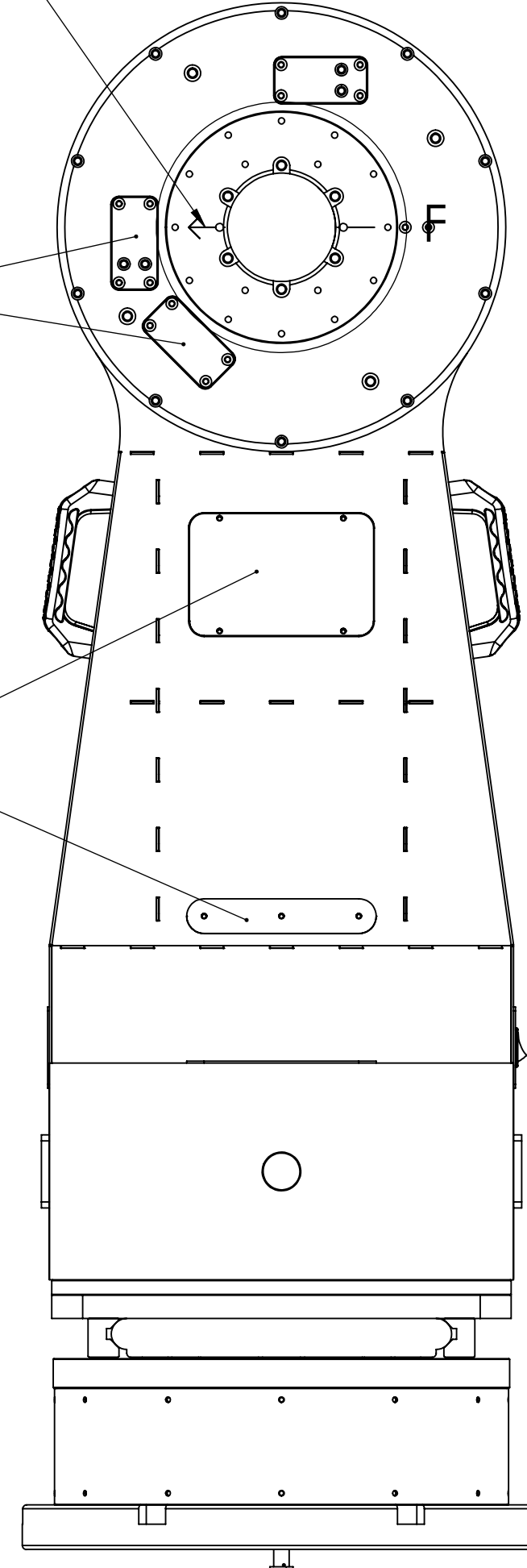
DETAIL F  
 INNER SCOPE  
 MOUNTING HOLES



DETAIL E  
 OUTER SCOPE  
 MOUNTING HOLES

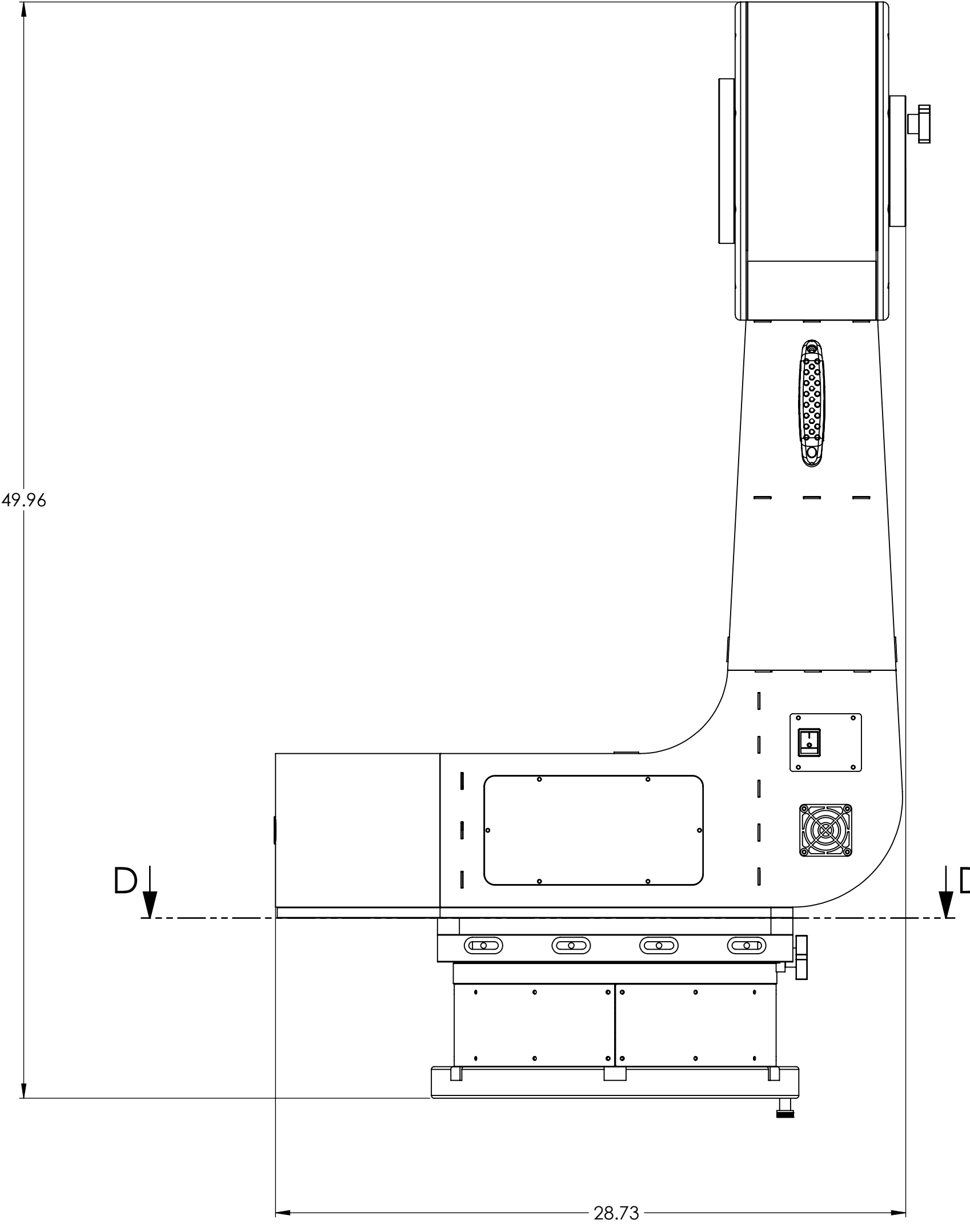
ARROW INDICATES  
 DEFAULT DIRECTION  
 OF TELESCOPE

CONFIGURATION SHOWN  
 IS FOR ALT AZ OPERATION,  
 SWITCH SPRING STOP AND  
 COVER PLATE FOR  
 EQUATORIAL OPERATION



USER WIRE ACCESS COVER

REMOVABLE ALIGNMENT PIN,  
 USED FOR EQUATORIAL MODE  
 ONLY

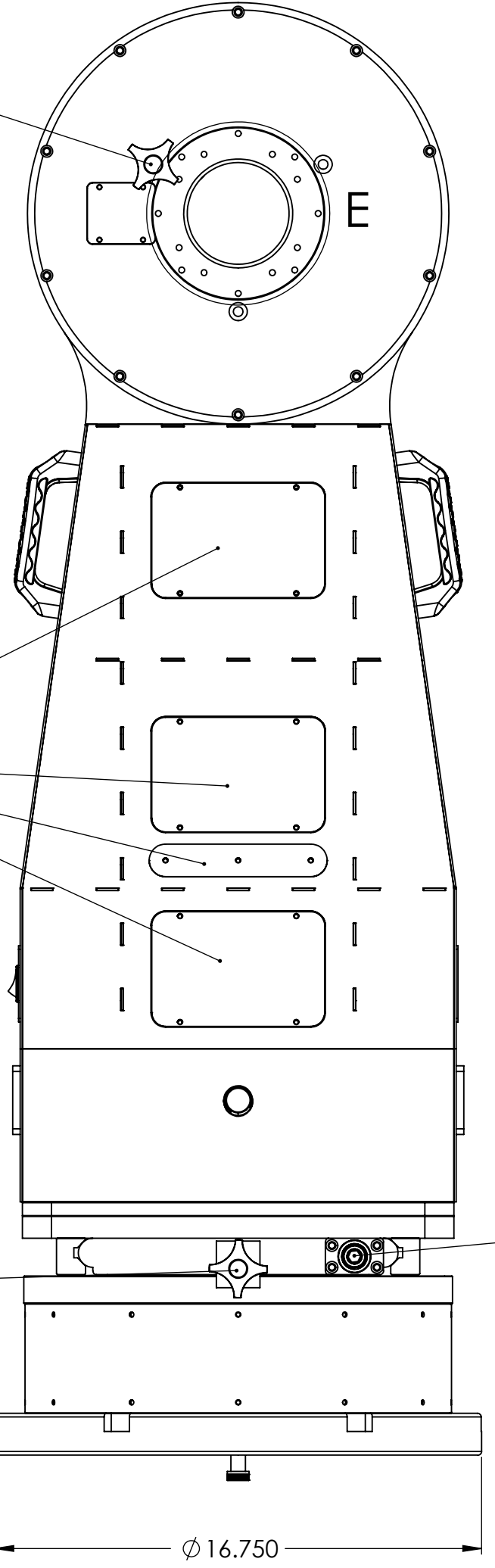


ALT/DEC LOCKING KNOB,  
 REMOVE COMPLETELY  
 WHEN NOT IN USE, REPLACE  
 WITH SCREW PLUG (PROVIDED)

USER WIRE ACCESS COVER

AZ/RA LOCKING KNOB,  
 REMOVE COMPLETELY  
 WHEN NOT IN USE

BALANCING SCREW, REQUIRES  
 3/8" SOCKET (PROVIDED)



Ø 16.750

UNLESS OTHERWISE SPECIFIED TOLERANCES		NAME	DATE
DECIMAL DIM	ANGULAR DIM	DRAWN	KAI
XXXX ± 0.005	MACHINED ±0° 30'	CHECKED	
XXX ± 0.02	LOCATING ±0° 30'	ENG APPR.	
XX ± 0.2	FORMED ±1°	MATERIAL	MISC
SURFACE FINISH	CHAMFERS 15°	FINISH	THE BEST
MAX R 0.015		SCALE: 1:10	
BREAK: ALL SHARP EDGES & REMOVE BURRS.		FILE	L500101 (L500 MOUNT MAIN ASSEMBLY)

**PlaneWave Instruments**

**L500 MOUNT MAIN ASSEMBLY**

REV. A	DWG. NO. L500101	SCALE: 1:10
--------	------------------	-------------

SHEET 1 OF 1