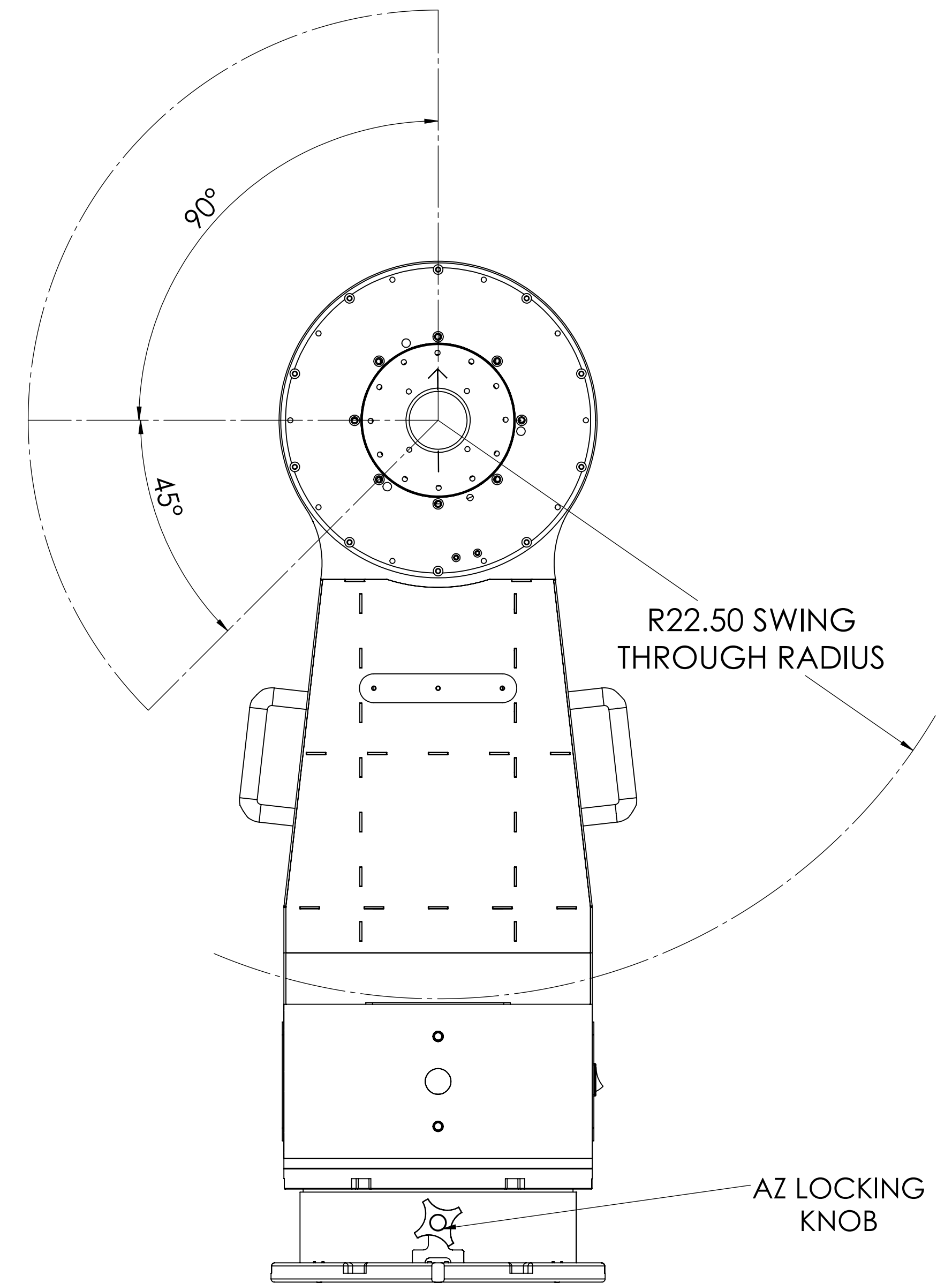
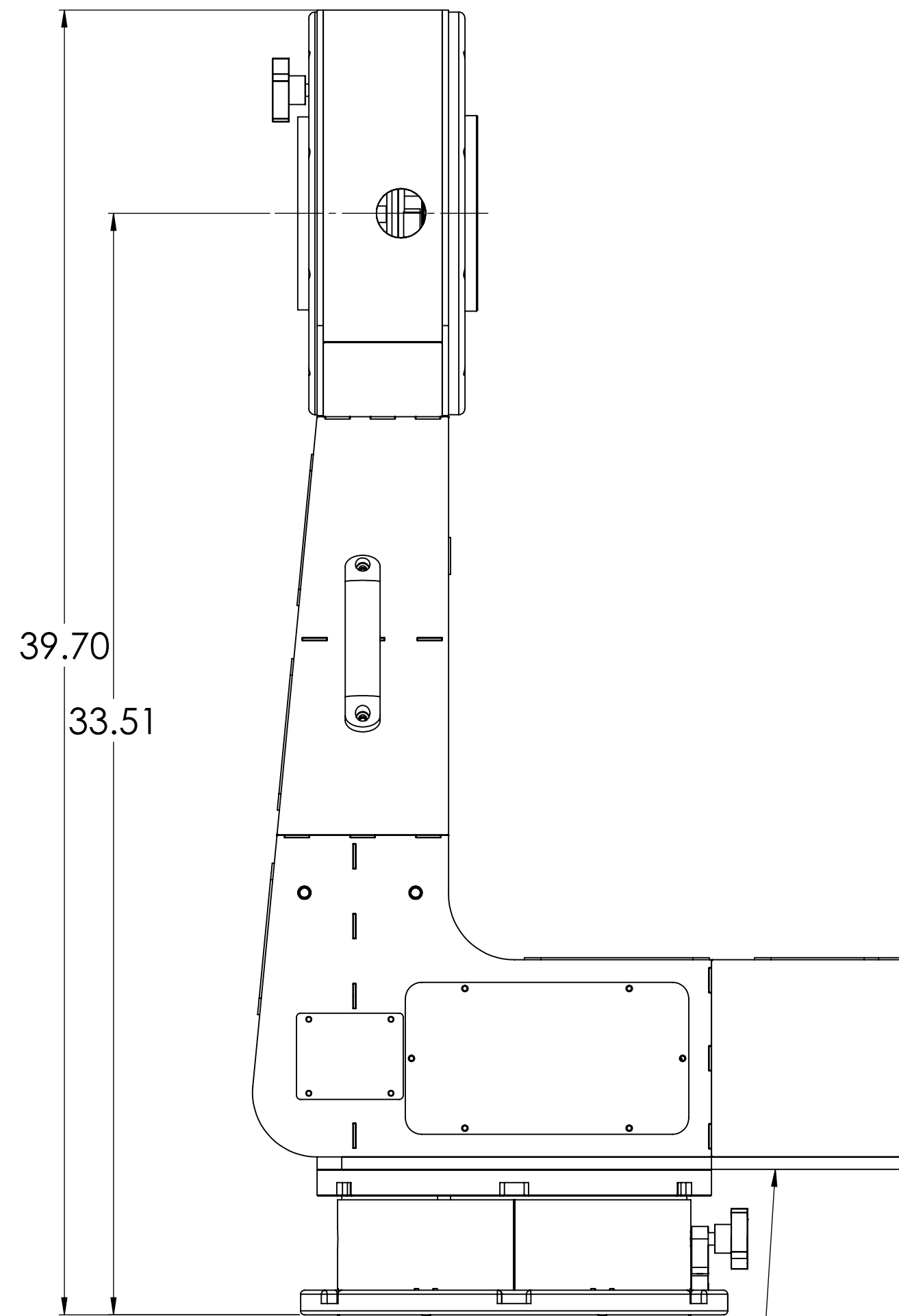
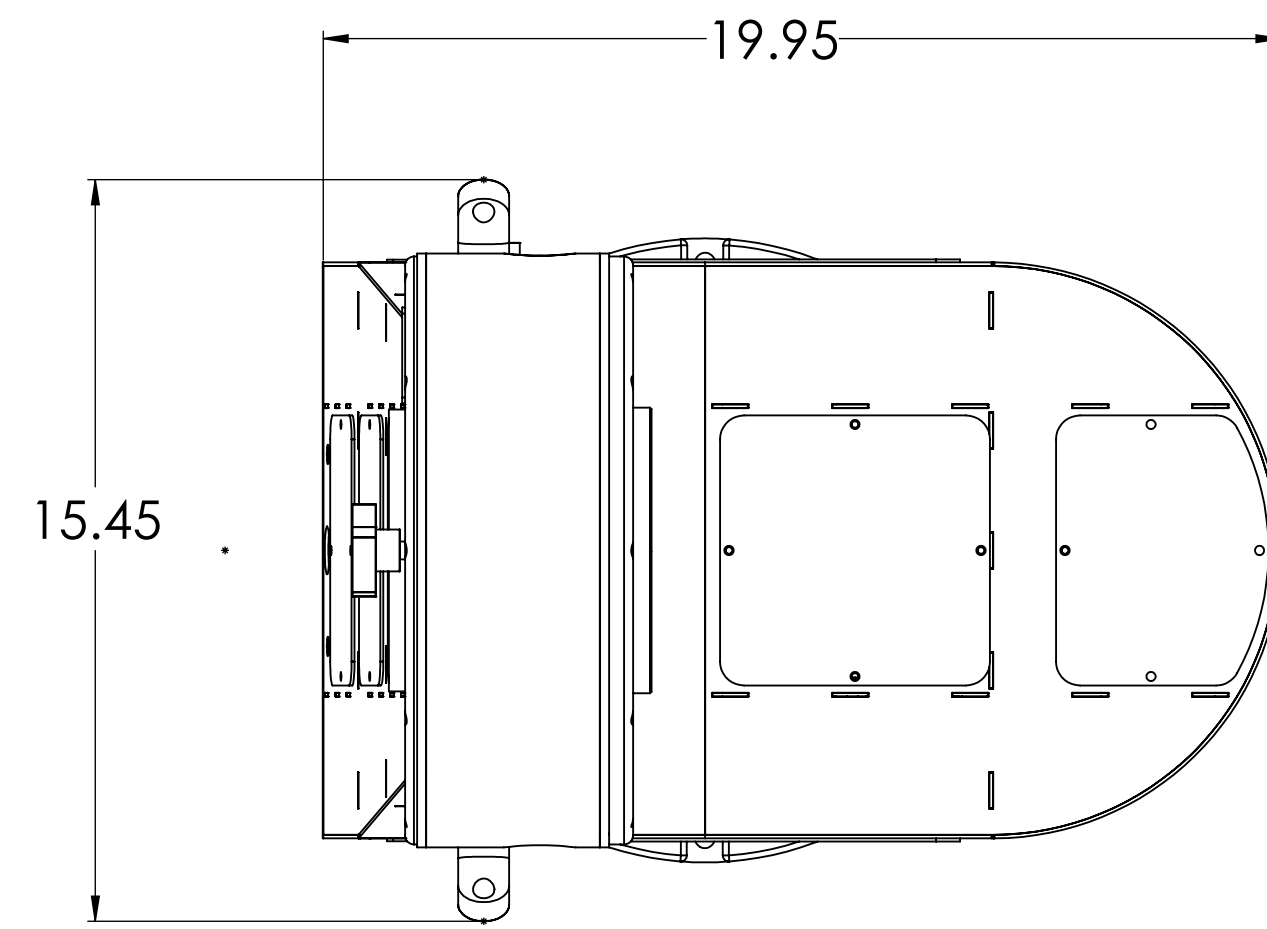
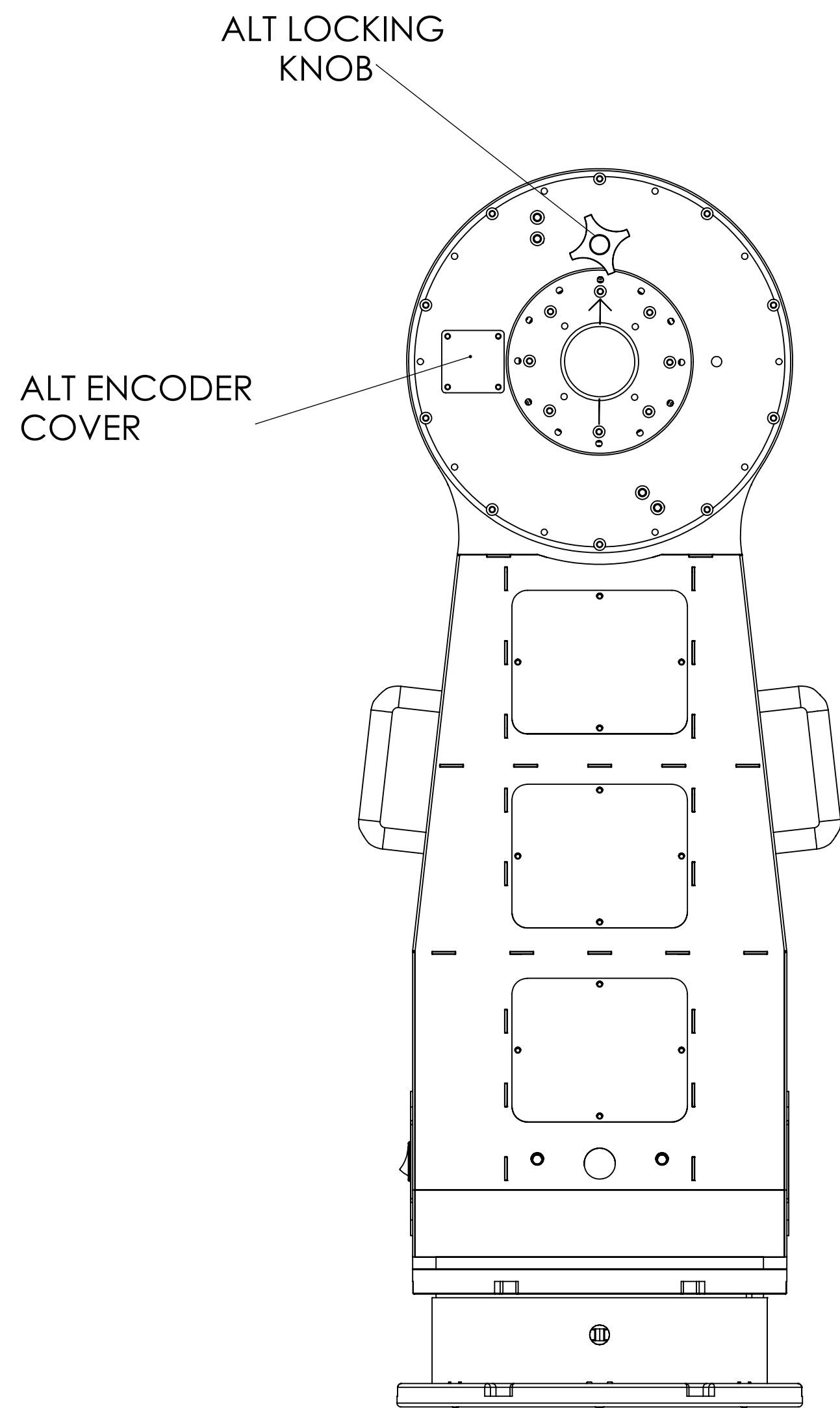


FORK ARM AND ALT/DEC MOTOR: 70LBS
 BASE/RA MOTOR: 40LBS
 TOTAL MOUNT WEIGHT: 110LBS
 POWER INPUT: 85-260VAC 50-60HZ
 MAX POWER USAGE: 650 WATTS
 MAX LOAD RATING: 100LBS
 ALT/AZ OR EQUATORIAL WITH OPTIONAL WEDGE



AZ LOCKING KNOB

INTERFACE BETWEEN FORK ARM
 AND BASE MOTOR HAS SEVERAL
 OFFSET PATTERNS TO ALLOW INITIAL
 BALANCING OF SYSTEM

UNLESS OTHERWISE SPECIFIED TOLERANCES		NAME	DATE	PlaneWave Instruments	
DECIMAL DIM	ANGULAR DIM	DRAWN	KAI	10/25/2017	TITLE
XXXX ± 0.005	MACHINED ±0.030	CHECKED			L350 PLAN DRAWING
XXX ± 0.005	LOCATED ±0.30	ENG APPR.			
XX ± 0.02	FORMED ±1.0	MATERIAL	THE BEST		
SURFACE FINISH	4.0	FINISH	THE BEST		
MAX R 0.015		SCALE: 1:1.5	SIZE	DWG. NO.	REV.
BREAK: ALL SHARP EDGES & REMOVE BURRS.		FILE	D	L350 PLAN	A
PROPRIETARY AND CONFIDENTIAL		L350 PLAN DRAWING			SHEET 1 OF 1
THE INFORMATION CONTAINED IN THIS DRAWING IS THE SOLE PROPERTY OF PLANEWAVE INSTRUMENTS. ANY REPRODUCTION IN PART OR AS A WHOLE WITHOUT THE WRITTEN PERMISSION OF PLANEWAVE INSTRUMENTS IS PROHIBITED.					