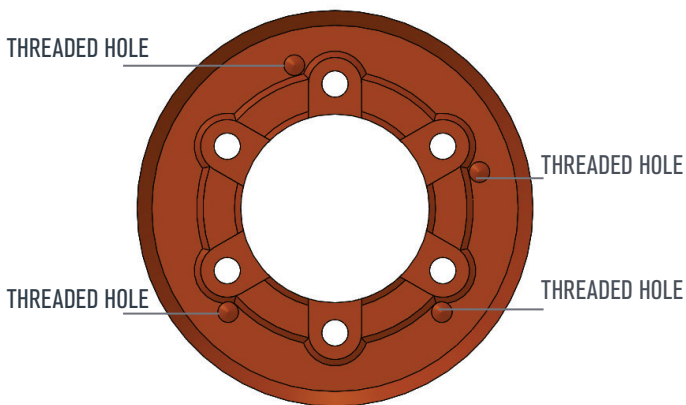


## Installing the Celestron Focus Motor (#94155) on the 36 cm Rowe-Ackermann Schmidt Astrograph (#91077)

The Celestron Focus Motor is compatible with all units of the 36 cm Rowe-Ackermann Schmidt Astrograph (RASA 36). However, some of the earliest units do not have the correct focuser cover plate required to work with the focus motor. This guide will help you determine if you have the correct cover plate and walk you through the process of switching the cover plate if necessary.

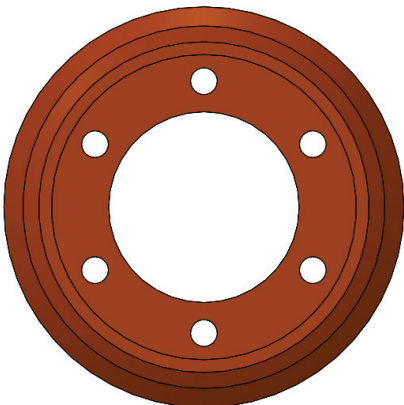
### Identifying Which Cover Plate You Have

To begin, locate the focus knob on the RASA 36. The cover plate is the orange ring encircling the focus knob. The cover plate that is compatible with the Celestron Focus Motor looks like this:



Note that this cover plate has four threaded holes for mounting the focus motor.

The earliest RASA 36 optical tubes have a different focuser cover plate without the four threaded holes. The cover plate that is incompatible with the Celestron Focus Motor looks like this:



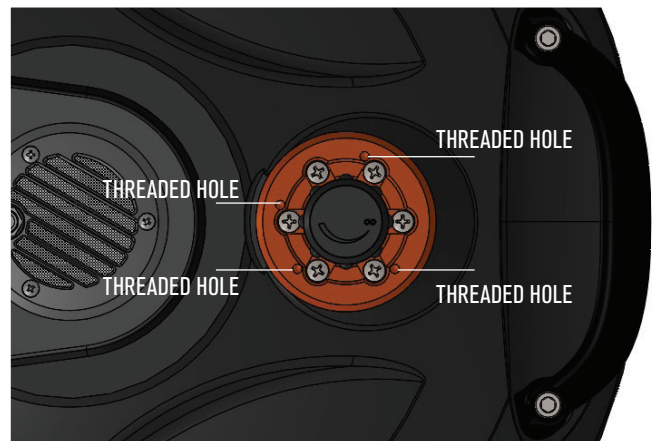
### For Customers with the Compatible Cover Plate

If you have determined that you have the correct cover plate, please follow the setup guide provided with your Celestron Focus Motor to complete the installation. Start with step 7.

### For Customers with the Incompatible Cover Plate

If you have determined that you have the cover plate without the four threaded holes, Celestron will supply the threaded cover plate to you free of charge. Simply contact Celestron Tech Support at [celestron.com/pages/technical-support](http://celestron.com/pages/technical-support), or call (800) 421-9649, Monday - Friday 8am - 4pm.

Replacing the cover plate is easy to do. First, remove the rubber cover from the focus knob. If you cannot simply pull it off, use a flat head screwdriver or other tool to pry off the rubber cover. Then, remove the six screws that hold the cover plate in place and remove the existing cover plate. Orient the new cover plate as shown below, then reinstall the six screws.



Once the new cover plate is in place, follow the setup guide provided with your Celestron Focus Motor to complete the installation. Start with Step 7.

### For All Customers

The four threaded holes in the cover plate provide two different mounting orientations for the focus motor. For even more motor mounting orientations, rotate the entire cover plate by removing the six screws, re-orienting the cover plate, and replacing the six screws.