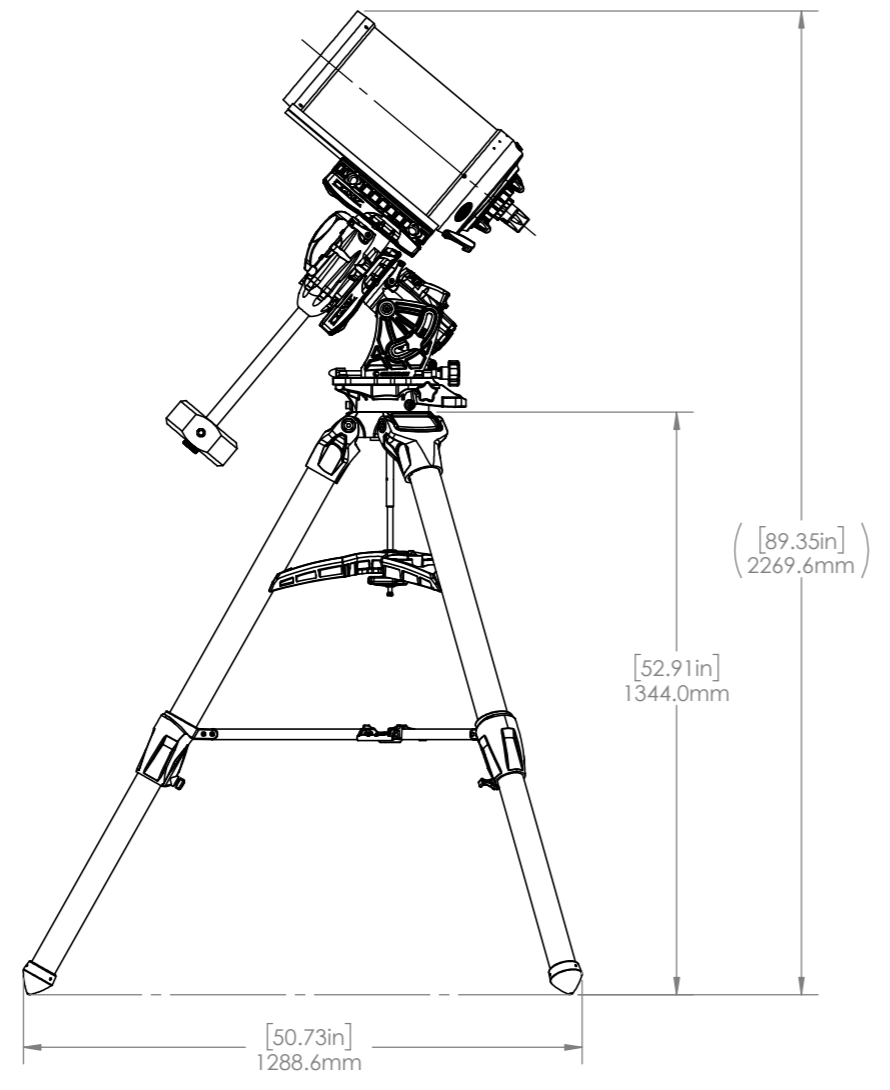
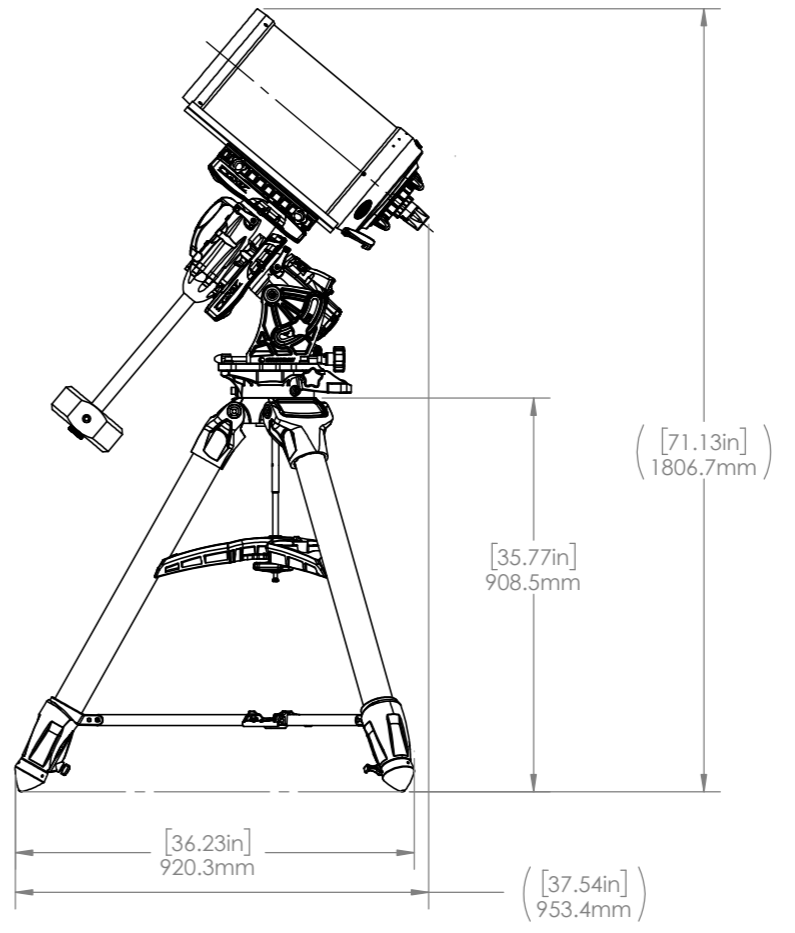


**Note:**

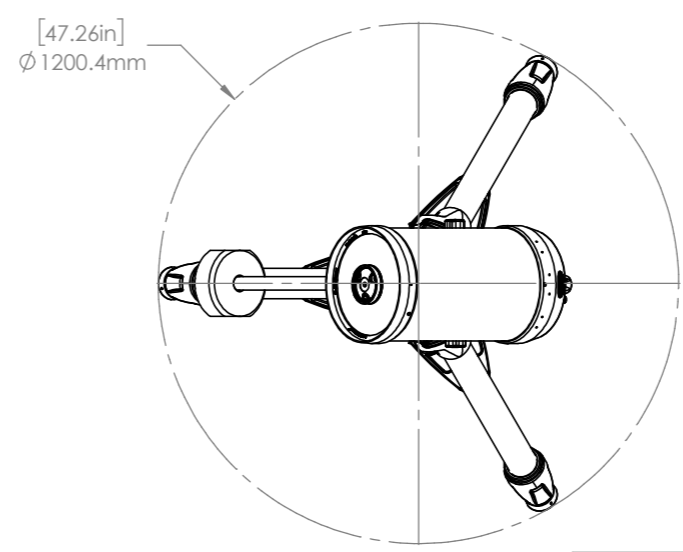
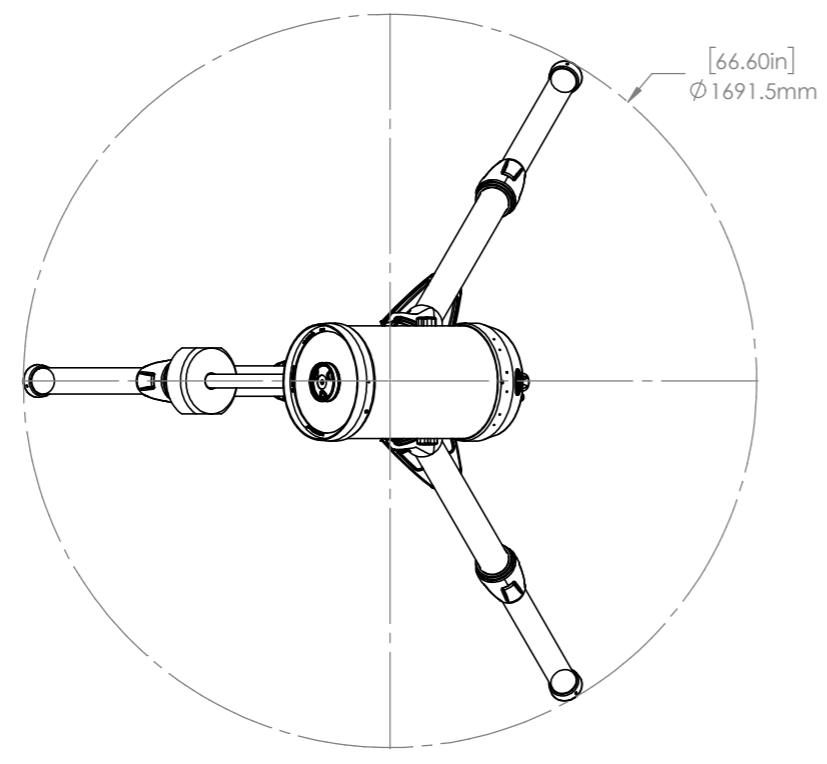
- 1. This drawing represents the telescope system setup at 40° latitude.
- 2. Overall height and footprint of the telescope system will vary by the setup processes, latitude and environment.
- 3. This assembly drawing represents both the CGXL 9.25" SCT and CGXL 9.25" EdgeHD telescopes.




Tripod legs are fully extended.



Tripod legs are fully retracted.



UNLESS OTHERWISE SPECIFIED: DIMENSIONS ARE IN MILLIMETER TOLERANCES: FRACTIONAL ± ANGULAR: MACH ±0.50 TWO PLACE DECIMAL ±0.20 THREE PLACE DECIMAL ±0.005		NAME WM	DATE 10/06/20	 2835 Columbia St. Torrance, CA 90503 <b>TITLE:</b> CGXL 9.25" EdgeHD Full Setup
PROPRIETARY AND CONFIDENTIAL THE INFORMATION CONTAINED IN THIS DRAWING IS THE SOLE PROPERTY OF CELESTRON, LLC. ANY REPRODUCTION IN PART OR AS A WHOLE WITHOUT THE WRITTEN PERMISSION OF CELESTRON, LLC IS PROHIBITED.		INTERPRET GEOMETRIC TOLERANCING PER: MATERIAL: FINISH: DO NOT SCALE DRAWING		
SIZE <b>C</b>	DWG. NO. CGXL 9_25 HD	REV X2	SCALE: 1:16 WEIGHT: SHEET 1 OF 1	