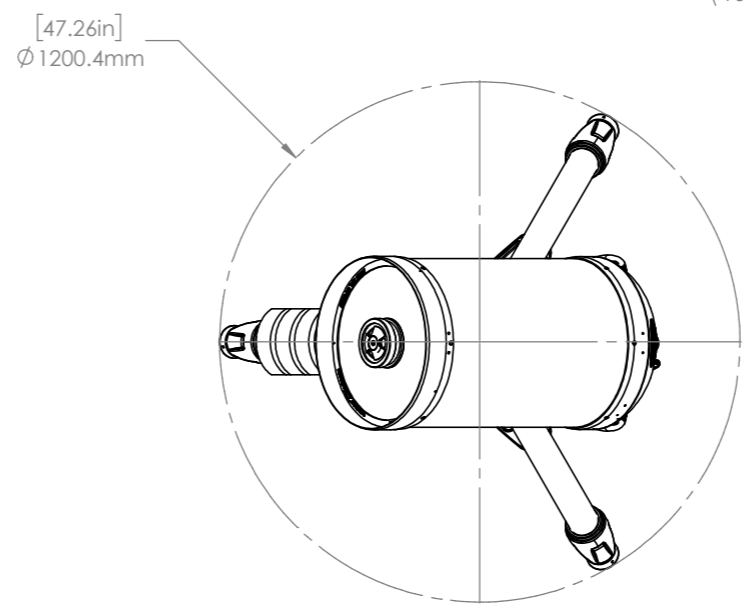
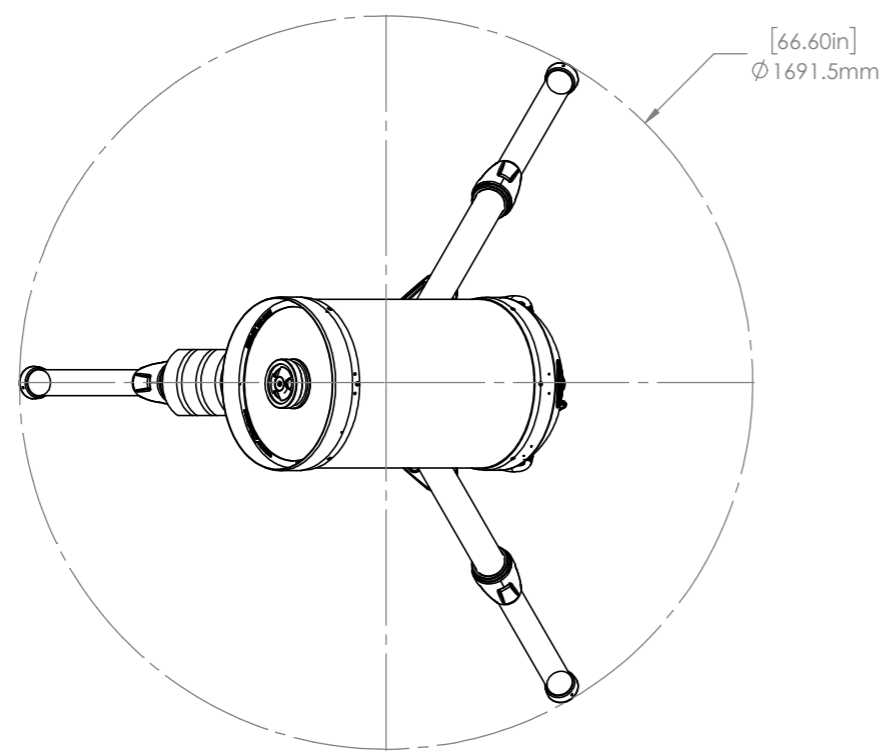
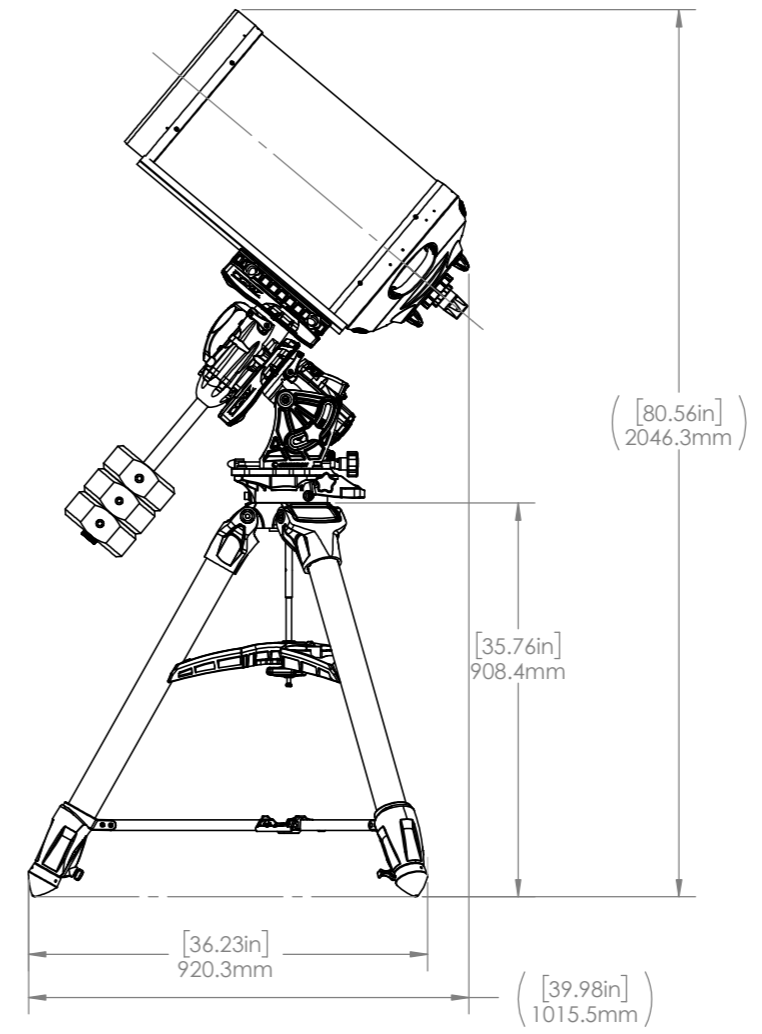



Note:

1. This drawing represents the telescope system setup at 40° latitude.
2. Overall height and footprint of the telescope system will vary by the setup processes, latitude and environment.
3. This assembly drawing represents both the CGXL 14" SCT and CGXL 14" EdgeHD telescopes.



UNLESS OTHERWISE SPECIFIED: DIMENSIONS ARE IN MILLIMETER TOLERANCES: FRACTIONAL ± ANGULAR: MACH ±0.50 TWO PLACE DECIMAL ±0.20 THREE PLACE DECIMAL ±0.005		NAME WM	DATE 09/28/20	 2835 Columbia St. Torrance, CA 90503 TITLE: CGXL 14" EdgeHD Full Setup
INTERPRET GEOMETRIC TOLERANCING PER: MATERIAL FINISH DO NOT SCALE DRAWING				

PROPRIETARY AND CONFIDENTIAL
THE INFORMATION CONTAINED IN THIS DRAWING IS THE SOLE PROPERTY OF CELESTRON, LLC. ANY REPRODUCTION IN PART OR AS A WHOLE WITHOUT THE WRITTEN PERMISSION OF CELESTRON, LLC IS PROHIBITED.