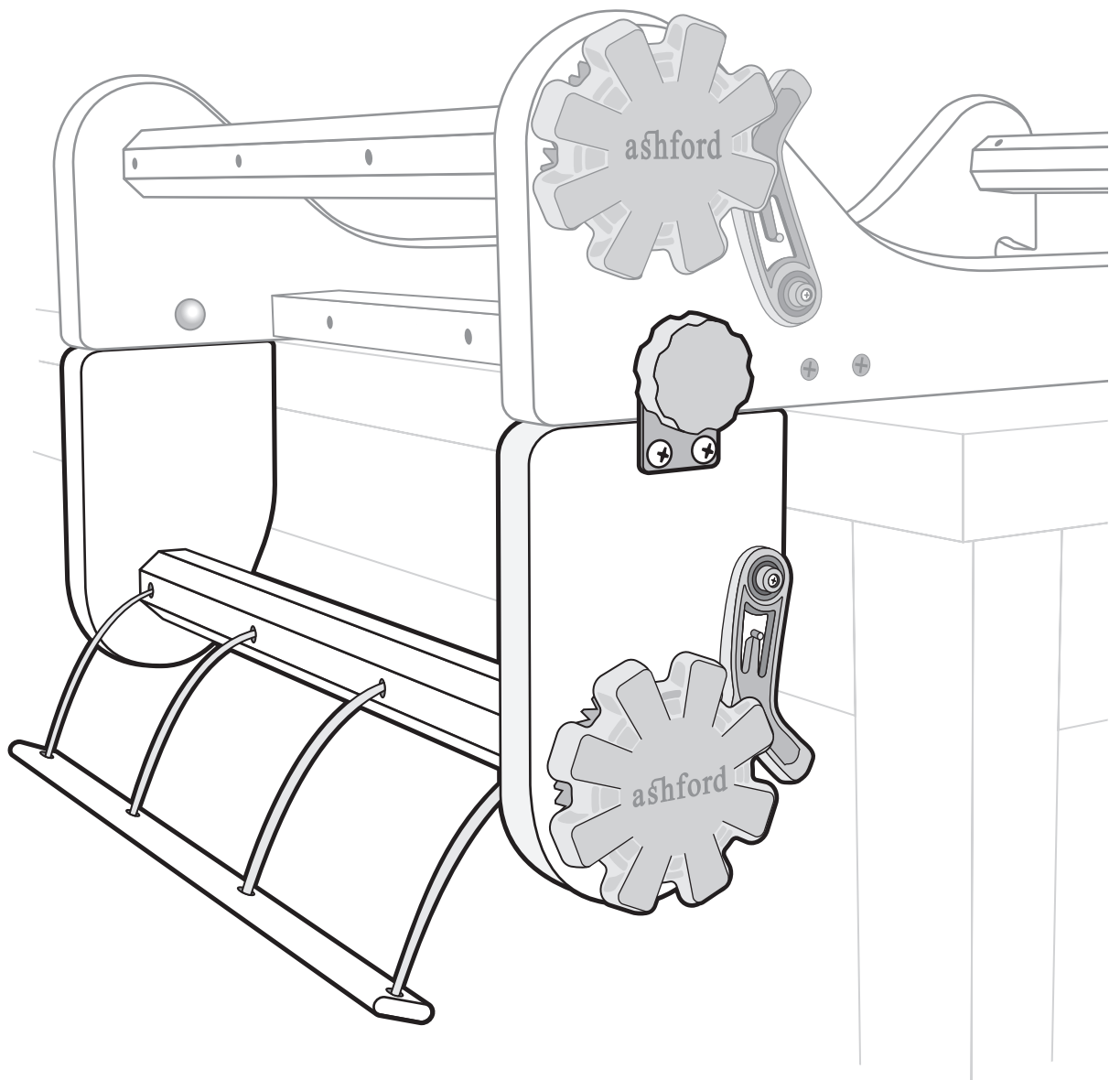


RIGID HEDDLE FREEDOM ROLLER



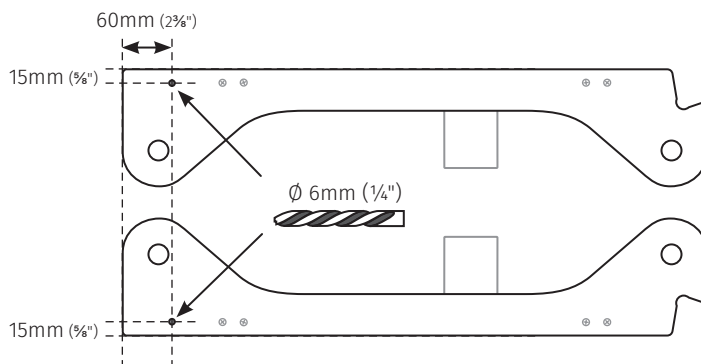
RHFR080623V6

ASSEMBLY INSTRUCTIONS FOR THE ASHFORD RIGID HEDDLE FREEDOM ROLLER

Before commencing: Please read the instructions completely, identify the parts and note the assembly sequence. Use the sandpaper supplied to remove any sharp edges and corners. To make assembly easier use candle wax on the screws.

Finishing: We recommend that the wood surfaces be waxed or sealed before assembly. This protects the kiln dried wood from climatic changes and prevents it getting dirty or stained. The timber has a lovely variety of colour and grain. For a silky smooth matt finish, use the Ashford Finishing Wax Polish to enhance the natural colours and character of this timber.

For older models: If your Rigid Heddle Loom does not have holes in the sides, mark the holes as shown and drill them with a 6mm (1/4") bit.



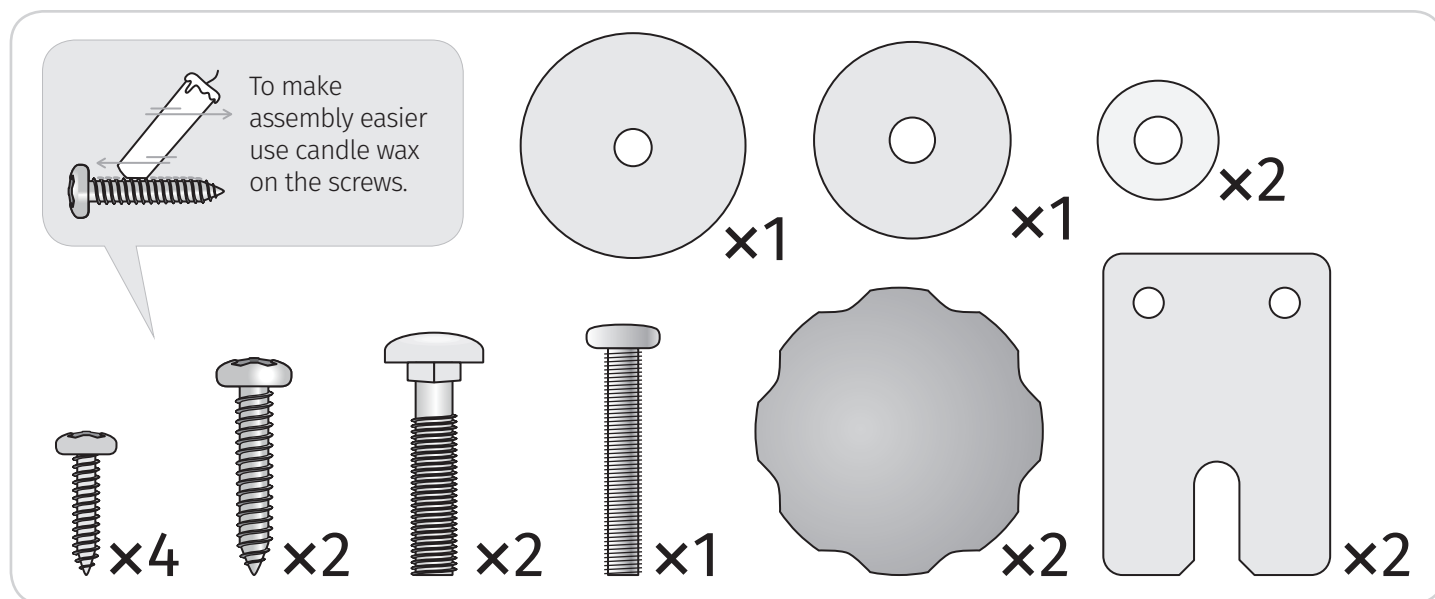
Tools Required



Important

Please warp your loom and thread the reed as usual, but do not attach the warp threads to the warp stick until the Freedom Roller has been assembled and attached. See the illustration in step 9.

Real Scale Hardware List



More Information



How-to videos on You Tube
Watch our how-to videos on You Tube.
@ashfordnz



Facebook
Join us on facebook ashford.wheels.ooms



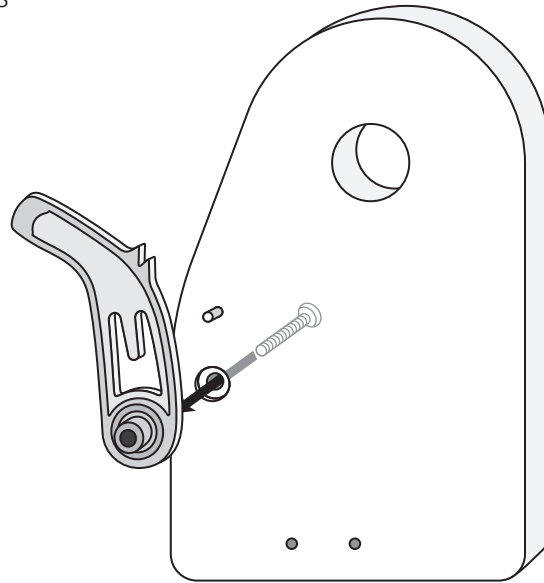
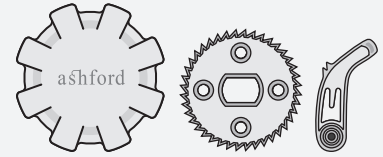
The Wheel Magazine
Ashford's annual fibrecraft magazine. Spinning, weaving, felting, dyeing and knitting projects, patterns and articles from around the world. To receive the premium version delivered to you, subscribe at: www.ashford.co.nz/subscribe



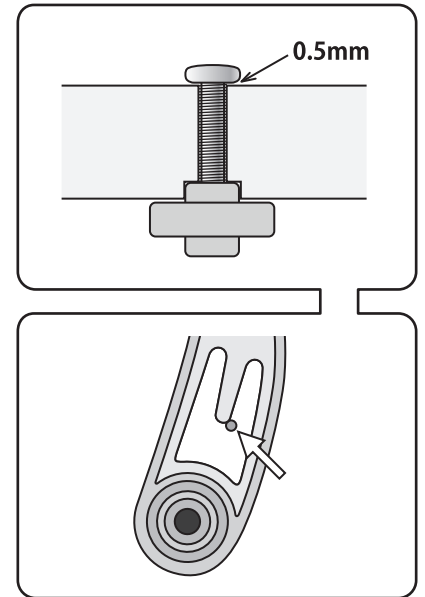
Rub candle wax onto the thread of the 30mm (1¼") bolt. Then attach the pawl to the roller support from the inside with this bolt. NOTE the clicker pin fits into the gap in the pawl. Take care to ensure the "clicker pin" does not damage your table. Leave 0.5mm (1/32") gap under the head of the bolt, DON'T over tighten. The pawl should move freely and "click" as it snaps past the pin.

120cm (48") wide loom

The 120cm (48") loom has clicker pins, pawls, cogs and handles fitted to both sides of the loom. This helps equalize the tension across the width of the loom.

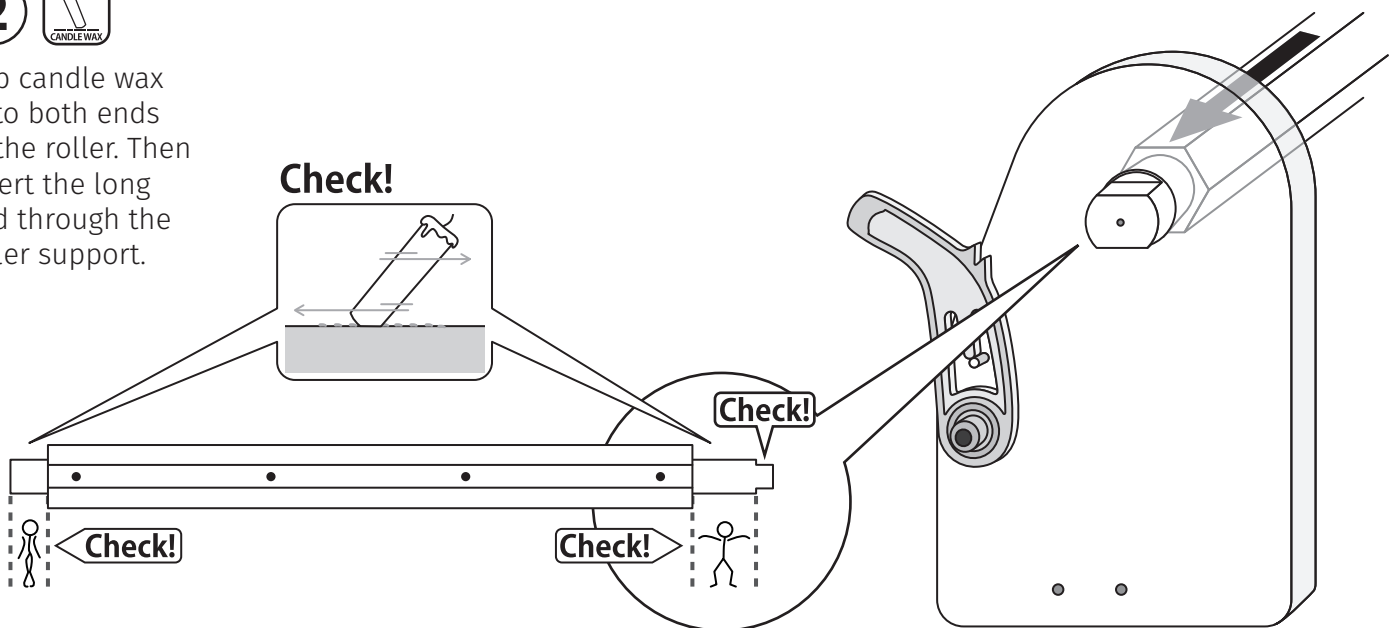


Check!



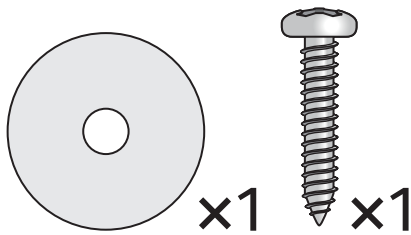
Rub candle wax onto both ends of the roller. Then insert the long end through the roller support.

Check!

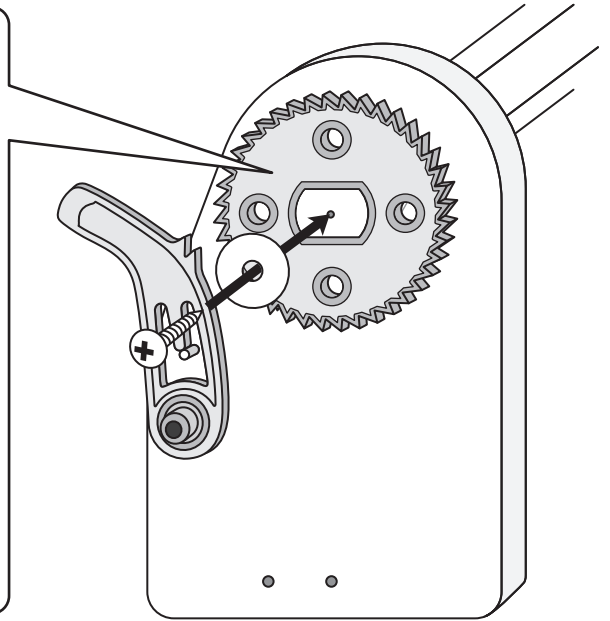
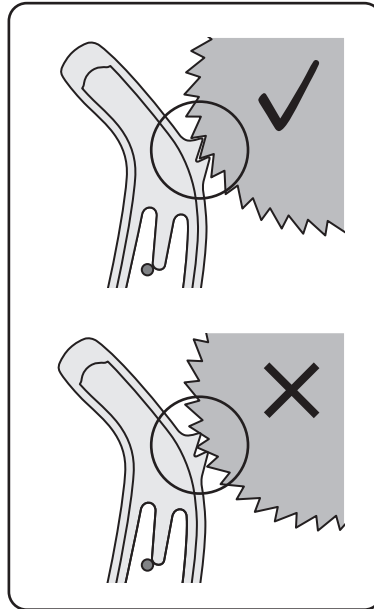




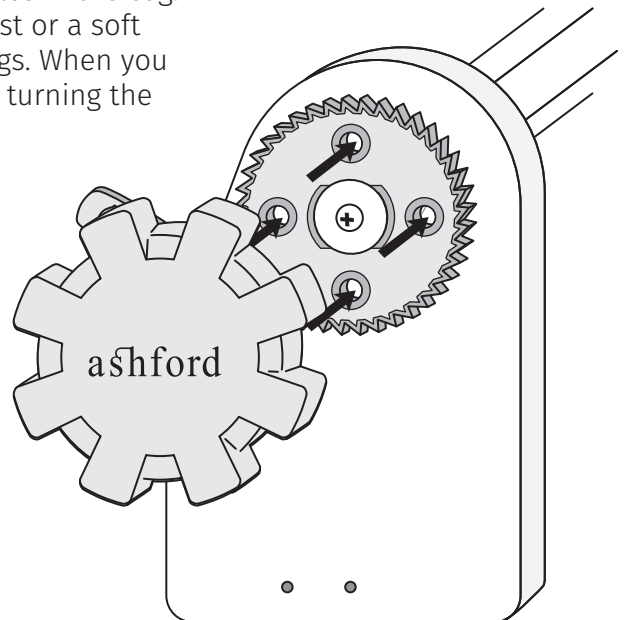
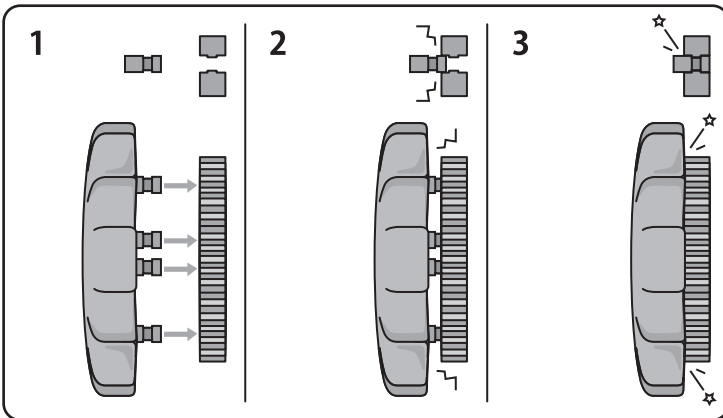
Place the cog onto the end of the roller. Check the teeth engage the pawl. THEN secure with a washer and 25mm (1") screw.



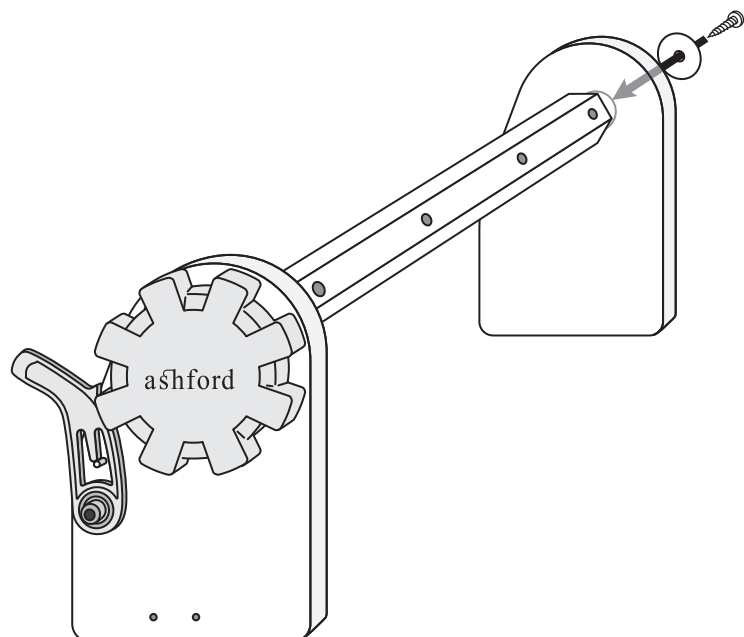
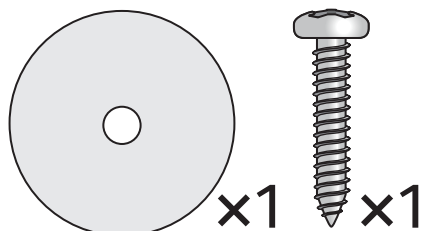
Check!



Locate the 4 pins on the handle into the 4 holes in the cog. Then give the handles a sharp hit with your fist or a soft hammer so they snap down tight onto the cogs. When you are ready to advance the warp, release the warp tension by turning the handle slightly and then lifting the pawl out of the teeth.



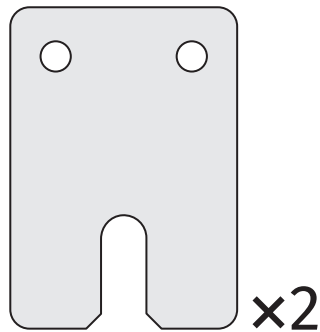
Secure the second roller support to the roller with a 30mm (1 1/4") screw and washer.



6



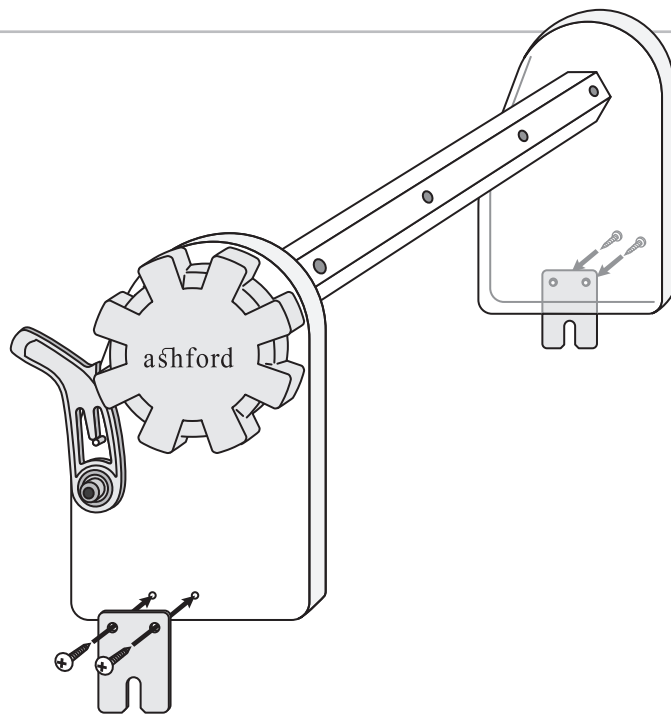
Attach the 2 steel brackets to the roller supports with 16mm (5/8") screws.



x2

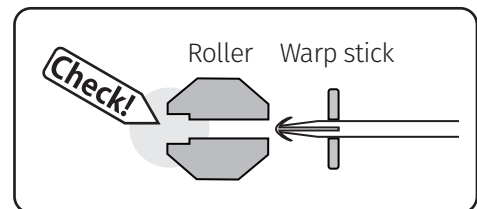
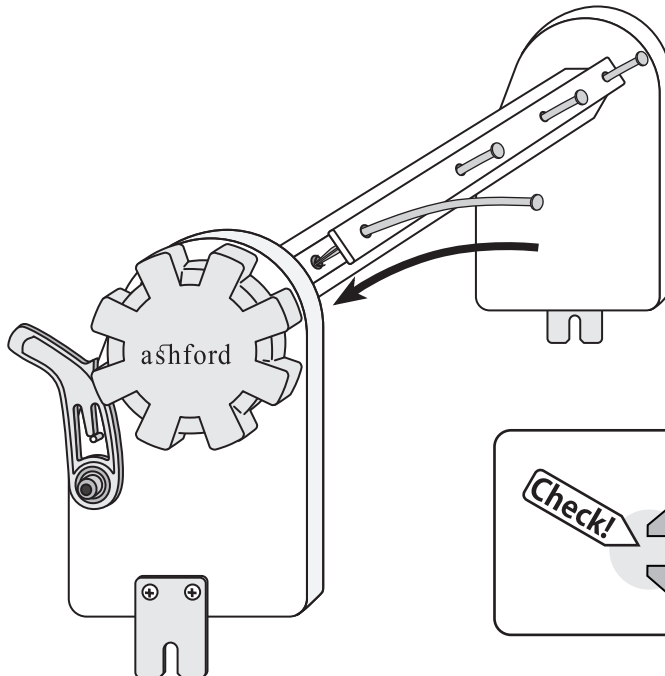


x4



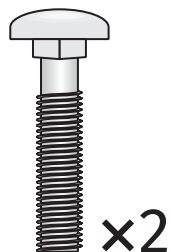
7

Connect the warp stick to the roller with warp stick ties. First push the arrow head through the warp stick. Then push the arrow head into the small hole in the roller and out the large hole as illustrated.

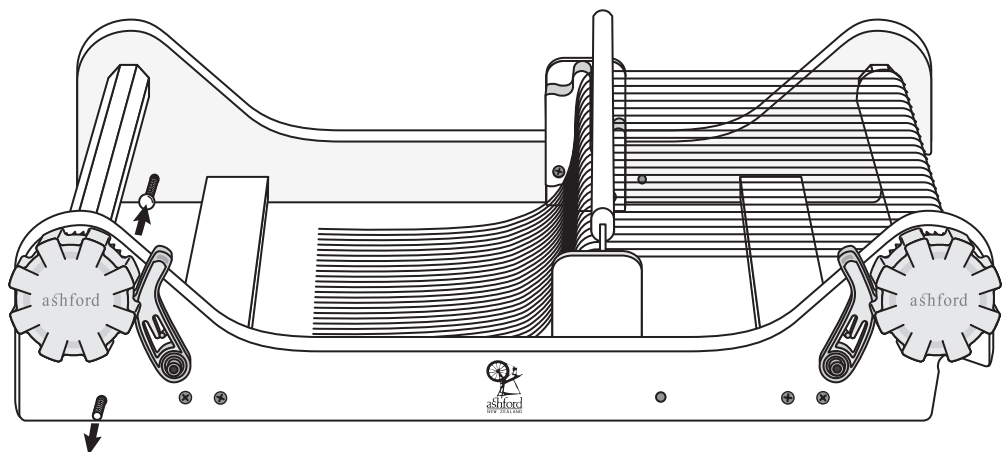


8

Push the 2 bolts through the sides from the inside.

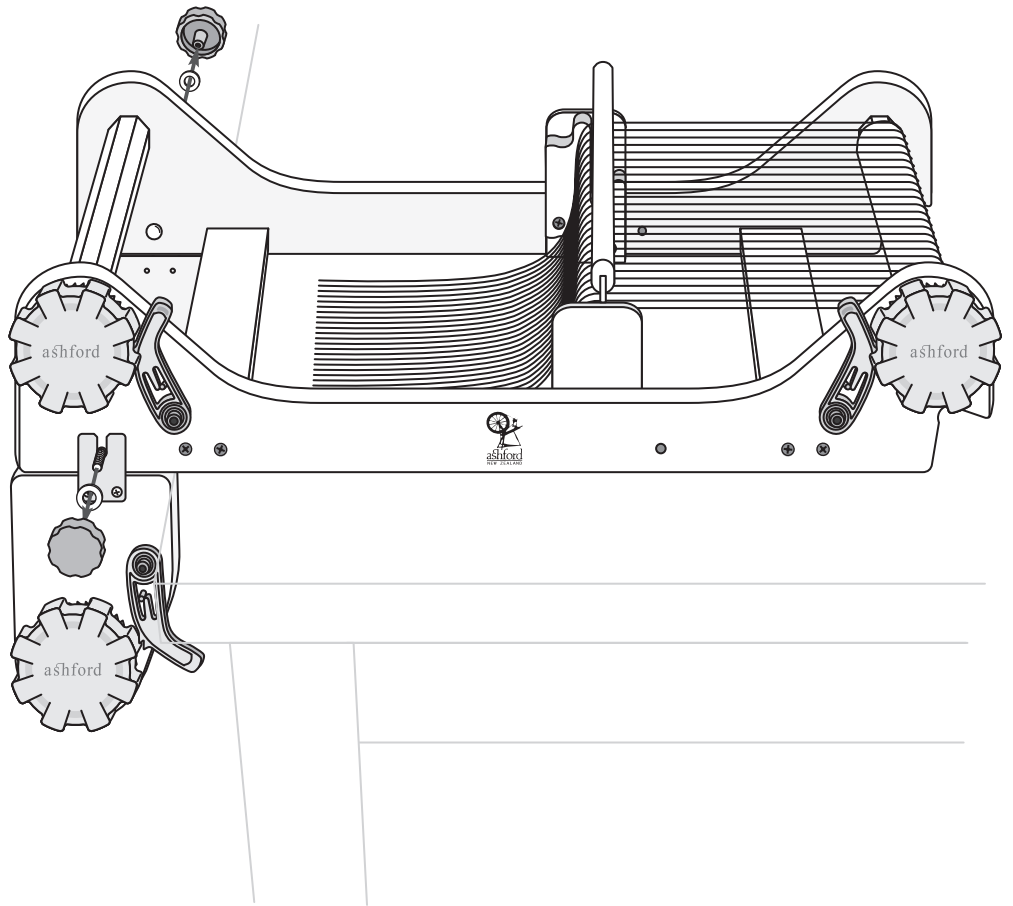
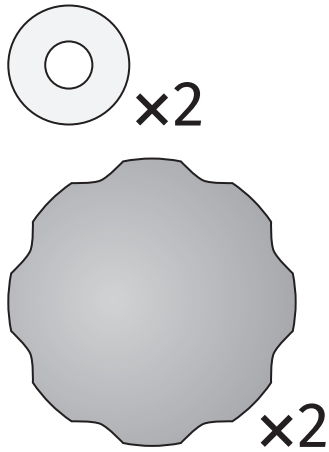


x2



9

With the loom sitting over the edge of a table, attach the Freedom Roller with washers and knobs.



Now bring your warp over the original roller and attach it to the warp stick on the Freedom Roller as usual. The original roller will help keep shed constant as the finished fabric builds up on the Freedom Roller. For warping instructions, please see our Learn to weave on the Rigid Heddle booklet or video on our website.

