

4-LATER KIT

FL3031 FL3205
FL3032 FL3401
FL3201 FL3405

INSTALLATION ON STANDARD FLOOR LOOMS & WOLF LOOMS



Find out more at [schachtspindle.com](https://www.schachtspindle.com)
Schacht Spindle Company 6101 Ben Place Boulder, CO 80301
303.442.3212

© 2021 Schacht Spindle Company, Inc.

09.21

4-LATER KIT

INSTALLATION

PARTS

- 4X shaft frames
- 2X #3 jack assemblies
- 2X #4 jack assemblies
- 4X 8/32" hex nuts
- 12X 3/8" washers

TOOLS REQUIRED

- #2 Phillips screwdriver
- 7/16" wrench or adjustable wrench
- tapestry needle (optional)
- string (optional)

INSTALL THE JACK ASSEMBLIES

1. Remove the four screws that secure the rear castle cross brace at each end (Figure 1). Then remove the two lock nuts and washers that secure the carriage bolts to the rear castle cross brace.

Be careful to prevent the head of the carriage bolt from turning. The carriage bolt is seated in a square hole on the front castle cross brace. Turning the bolt will destroy this hole.

Looms with serial numbers prior to 070891 will not have carriage bolts. They have 1/4" aluminum rods fitted between

the front and rear castle cross braces. For these looms, just remove the four screws that secure the rear castle cross brace.

2. Remove the rear castle cross brace, being careful not to pull the jack pivot pins out of their holes in the front castle cross brace (Figure 1). The jack pivot pins go through the center of each jack assembly, connecting to the front and rear castle cross braces just below the long carriage bolts.

3. Remove the nylon spacers from the jack pivot pins. They will not be needed once you install the new jack assemblies.

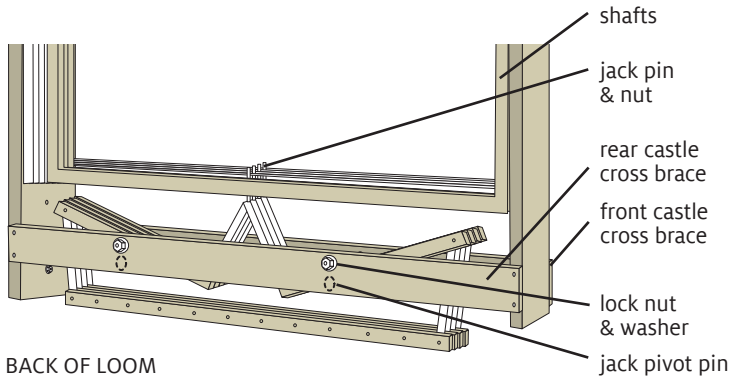


FIGURE 1: REAR CASTLE CROSS BRACE

4. Place a 3/8" washer on each jack pivot pin, then place a jack assembly labeled "3" onto the jack pivot pins (Figure 2).
5. Repeat Step 4 for the remaining "3" jack assembly, then for both "4" jack assemblies (Figure 2). After installing all the new jack assemblies, place two 3/8" washers on each jack pivot pin.
6. Replace the rear castle cross brace, fitting the jack pivot pins and the carriage bolts into their respective holes. Reattach the cross brace with the four screws.
7. Make sure the heads of the carriage bolts are seated firmly in the square holes in the front cross brace so they will not turn. Fasten them with a washer and lock nut, and tighten with the wrench.

INSTALL THE NEW SHAFTS, HEDDLES, AND TIE-UPS

1. When you received your 4 Now-4 Later loom, you received enough heddles for all eight shafts (800 heddles for Baby Wolf looms; 1000 heddles for all other looms). Now you may need to rearrange or add heddles, so that they are divided evenly (or as you prefer) among all eight shafts.
2. If you need to move heddles from your existing shafts to the new ones, first remove the shafts. Unscrew the nut from the jack pin in the bottom of each of the first four shafts and lift the shafts off the jack pin and out of the shaft channel (Figure 1).

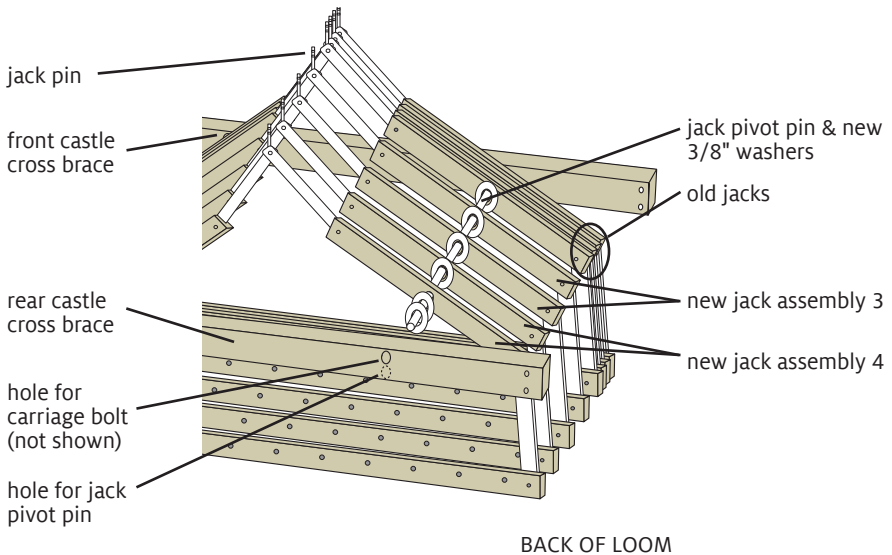


FIGURE 2: JACK ASSEMBLIES

3. Before you move heddles from one shaft frame to another, bundle the heddles that you are moving: insert a string through the top and bottom holes of the heddles (Figure 3) and tie the string in a tight circle.

4. To remove or install heddles, place a shaft on a flat surface, unhook the heddle bar hooks, and bend the heddle bars out of the side slots (Figure 3). Slide the heddles off or onto the heddle bars. Replace the heddle bars in the side slots, re-hook the heddle bar hooks, and untie the bundle string.

5. Install heddles on the four new shafts. Slide the shafts in the shaft channels,

starting with the forwardmost shaft (Figure 4). Make sure you orient the shaft so that the heddles are all facing in the same direction.

6. Fit the jack pins into the holes in the bottom of the shafts and replace nuts on the jack pins.

7. Install tie-up cords from the new jack assemblies to the treadles. You received 80 tie-up cords with your original 4 Now-4 Later loom. With 4 shafts, you needed only 40 of the cords; use the rest of the cords for shafts 5 through 8. ■

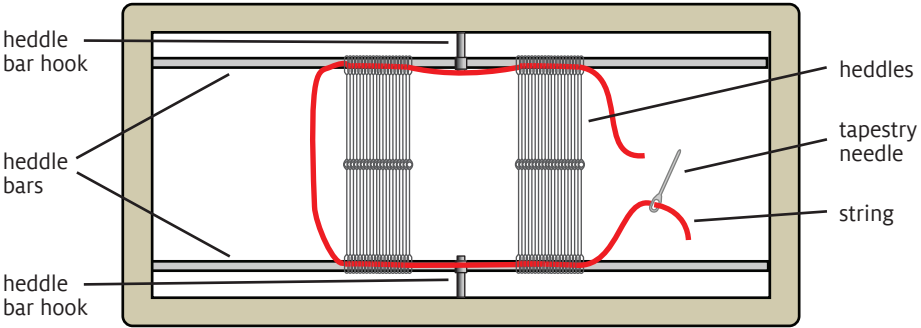
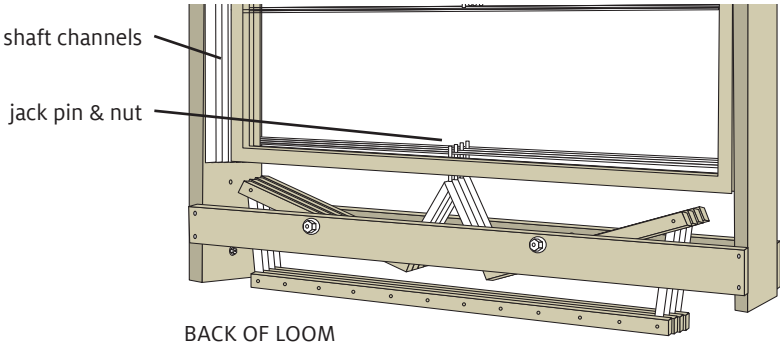


FIGURE 3: REMOVING HEDDLES



BACK OF LOOM

FIGURE 4: NEW SHAFTS