

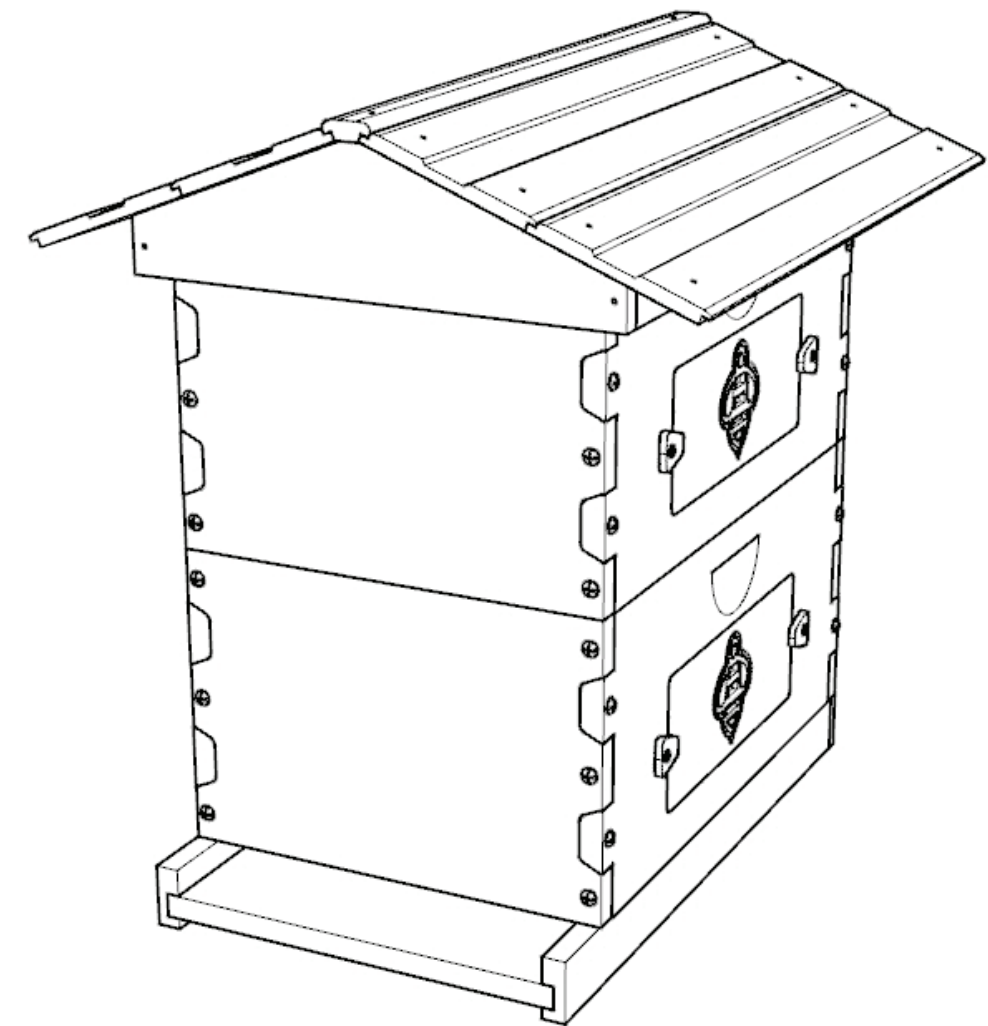
# LANGSTROTH HIVE

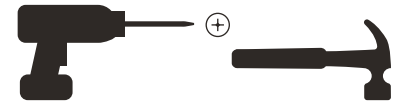

## ASSEMBLY GUIDE

**PEAKED ROOF**  
w/ inner cover underneath

**BOXES**  
w/ frames inside

**BOTTOM BOARD**



<b>BEETHINKING LANGSTROTH KITS &amp; PARTS</b>	<p><b>Beehive Kit Deep</b>  <i>Unassembled Parts</i> - 2 Red Cedar Deep Boxes w/ finger joints &amp; hardware  <i>Assembled Parts</i> - Outer Cover, Inner Cover &amp; Floor Board</p>	<b>TOOLS</b>	<p><b>Tools Needed</b> <i>2 total</i>                  Drill or Screwdriver w/ Phillips head                  Hammer <i>for frame assembly only</i></p> 	<b>ADDITIONAL INFO</b>	<p><b>Assembly Questions?</b>                  Customer service is available daily by email <a href="mailto:info@beethinking.com">info@beethinking.com</a> or phone (877) 325-2221.</p>  <p><b>beethinking</b> BEEKEEPING SIMPLIFIED</p>
	<p><b>Beehive Kit Medium</b>  <i>Unassembled Parts</i> - 3 Red Cedar Medium Boxes w/ finger joints &amp; hardware  <i>Assembled Parts</i> - Outer Cover, Inner Cover &amp; Floor Board</p> <p><b>Sold Separately</b>                  Shallow Boxes &amp; *Foundationless Frames                  Langstroth Entrance Reducer, Queen Excluder, hive tools &amp; hive staples                  Telescoping Outer Covers</p> <p><small>*Foundationless Frames is the universal name for Langstroth hive frames.</small></p>		<b>FINISHES</b>		<p><b>Natural Finishes</b> <i>optional</i>                  Tung oil can be liberally applied to all outside cedar surfaces of your hive as a natural sealer. The wood will retain a nice shine and resilience. For the best results, we recommend sealing your hive prior to any outdoor exposure. Never seal the interior of the hive.</p> <p><b>NOTE:</b> We encourage you to treat the entirety of the outside of your hive with chemical-free tung oil.</p>

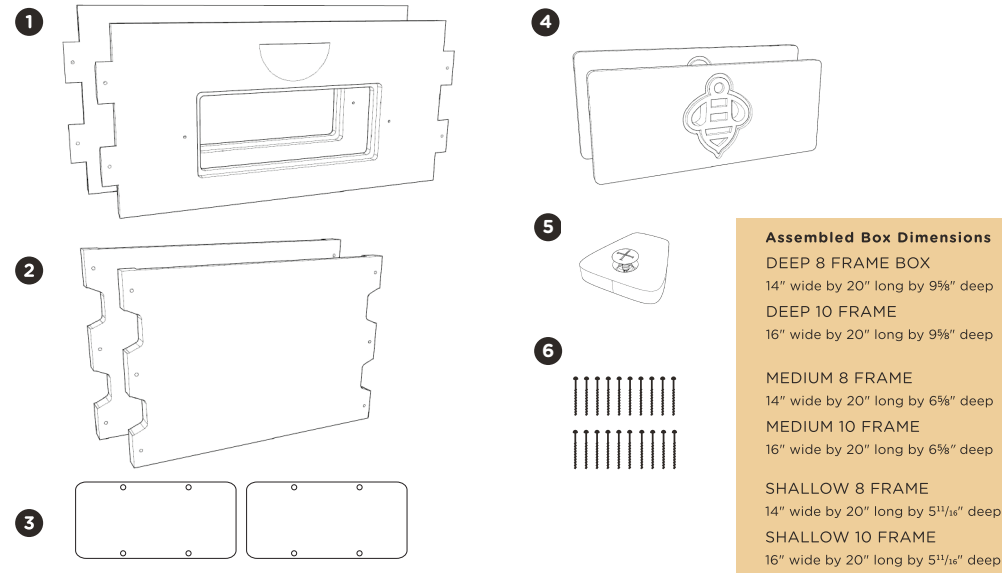
# HIVE BOXES - STEP 1

PARTS & HARDWARE

Below are instructions to assemble 1 Langstroth box including the parts and hardware needed

**NOTE:** Our Hive Boxes come in 3 depths; Deep, Medium and Shallow. Each of the 3 Hive Box depths come in 2 sizes; 8 frame or 10 frame. Therefore, you have 6 Hive Boxes to choose from. The same steps apply no matter what size boxes you are assembling.

- 1 2 Window Box Sides
- 2 2 Box End Panels
- 3 2 Plexi Glass Windows
- 4 2 Window Covers
- 5 2 Latches w/ screws and springs
- 6 20 2" Screws

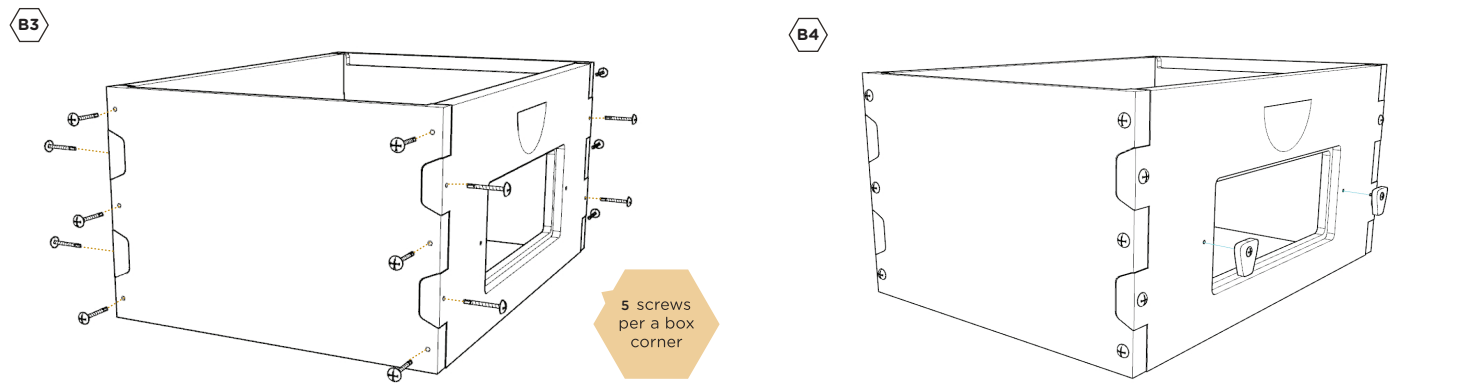
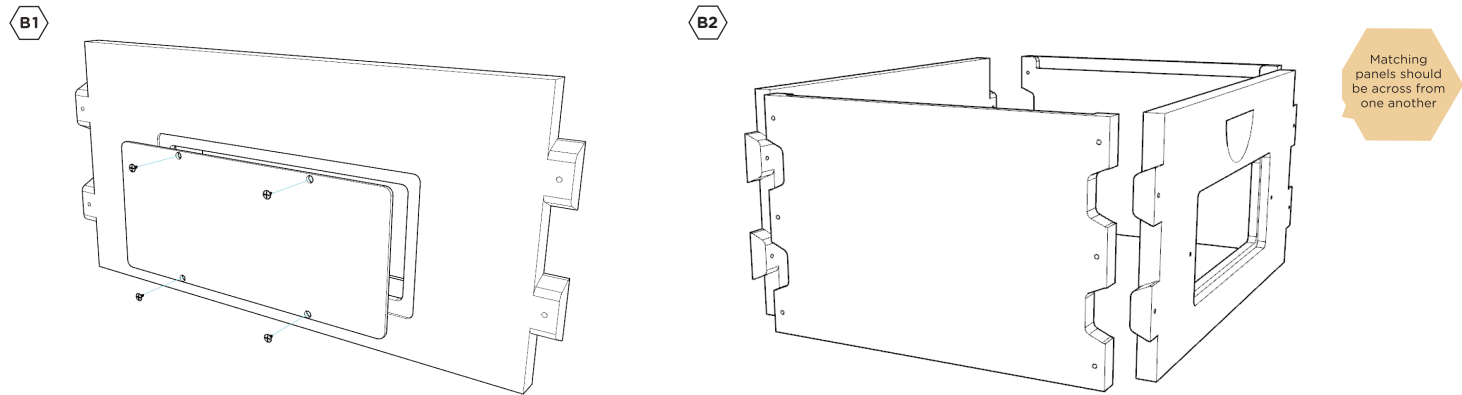


**Assembled Box Dimensions**

DEEP 8 FRAME BOX	14" wide by 20" long by 9 1/2" deep
DEEP 10 FRAME	16" wide by 20" long by 9 1/2" deep
MEDIUM 8 FRAME	14" wide by 20" long by 6 1/2" deep
MEDIUM 10 FRAME	16" wide by 20" long by 6 1/2" deep
SHALLOW 8 FRAME	14" wide by 20" long by 5 1/2" deep
SHALLOW 10 FRAME	16" wide by 20" long by 5 1/2" deep

BOX ASSEMBLY

- B1. Attach the plexi glass windows to the inside of each window box side.
- B2. Dry fit the 4 sides together to make a box. Be sure they fit together tightly and the handles are on the upper outside of the box.
- B3. Screw the panels together via the pre-drilled holes. Check to make sure that the corners are at 90° angles as you assemble each corner.
- B4. Attach the latches with springs and screws in the respective hole to the outside of each window box side.
- B5. Repeat steps 1-4 for each additional hive box.



Great Work! Continue onto Frame Assembly.

# HIVE FRAMES - STEP 2

Our new wedge-top frames come with an optional, insertable wedge comb guide to make your frames foundationless or foundation-capable, whichever you prefer! To get more information about the differences between foundationless and foundation frames, check out our natural beekeeping page:

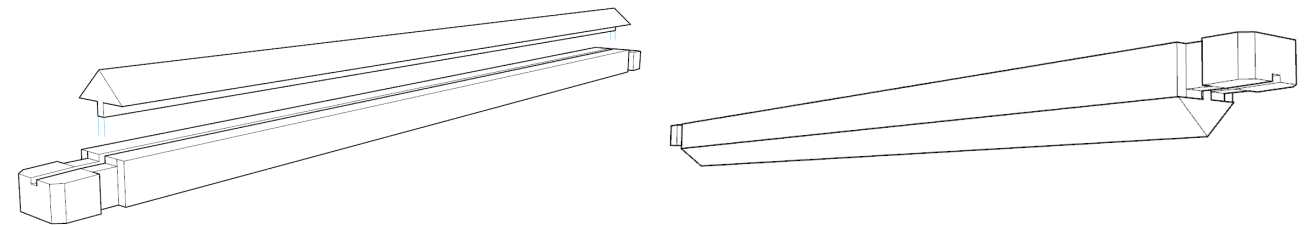
<https://www.beethinking.com/pages/natural-beekeeping>

FOUNDATIONLESS FRAME ASSEMBLY

For this assembly, you will need a bottle of wood glue.



- 1. To make your frames foundationless, simply place a bead of glue in the groove located on the top bar of one frame, and insert the triangular wedge comb guide into the groove.
- 2. The wedge guide insert is designed to be inserted by hand (with some force). Once the wedge comb guide is inserted, build your frames according to the directions included with your hive.



FOUNDATION FRAME ASSEMBLY

To make your frames foundation-capable, simply leave out the wedge comb guide insert and assemble your frames according to the directions included with your hive. Once assembled you can add the foundation to your frame.

**\*Note: If not using foundation with your frames you will notice a small groove along the bottom bar of your completed frames. If you live in an area where small hive beetles (SHB) are present then you will need to fill this groove with a small stick, or glue to prevent SHB from harboring in the space.**

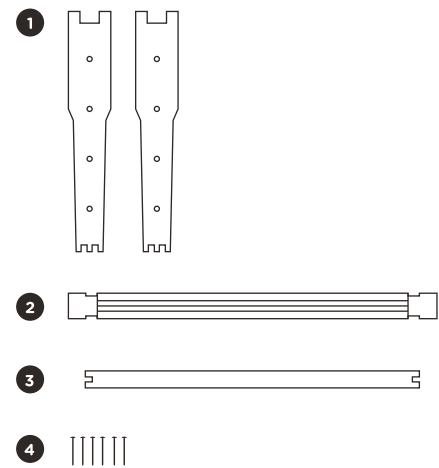
# HIVE FRAMES - STEP 2

PARTS & HARDWARE

Below are the instructions to assemble 1 Deep Foundationless Frame to allow you to see the parts, hardware and steps required for 1 Frame to be assembled.

**NOTE:** The number of frames you will be assembling depends on your Hive Boxes. The same steps apply no matter what size frames you are assembling.

- 1 2 End Panels
- 2 1 Top Bar w/ wedge comb guide
- 3 1 Bottom Bar 17 5/8"
- 4 6 Nails



**Assembled Frame Dimensions**

- DEEP FRAME  
9 1/8" depth & 19" top piece
- MEDIUM FRAME  
6 1/4" depth & 19" top piece
- SHALLOW FRAME  
5 3/8" depth & 19" top piece

**ASSEMBLY TIP**

To expedite the process, we recommend fitting the individual pieces together for all the frames and then nailing each frame. To make it go even quicker, use a compressor and stapler with 1/2"-long crown staples.

FRAMES ASSEMBLY

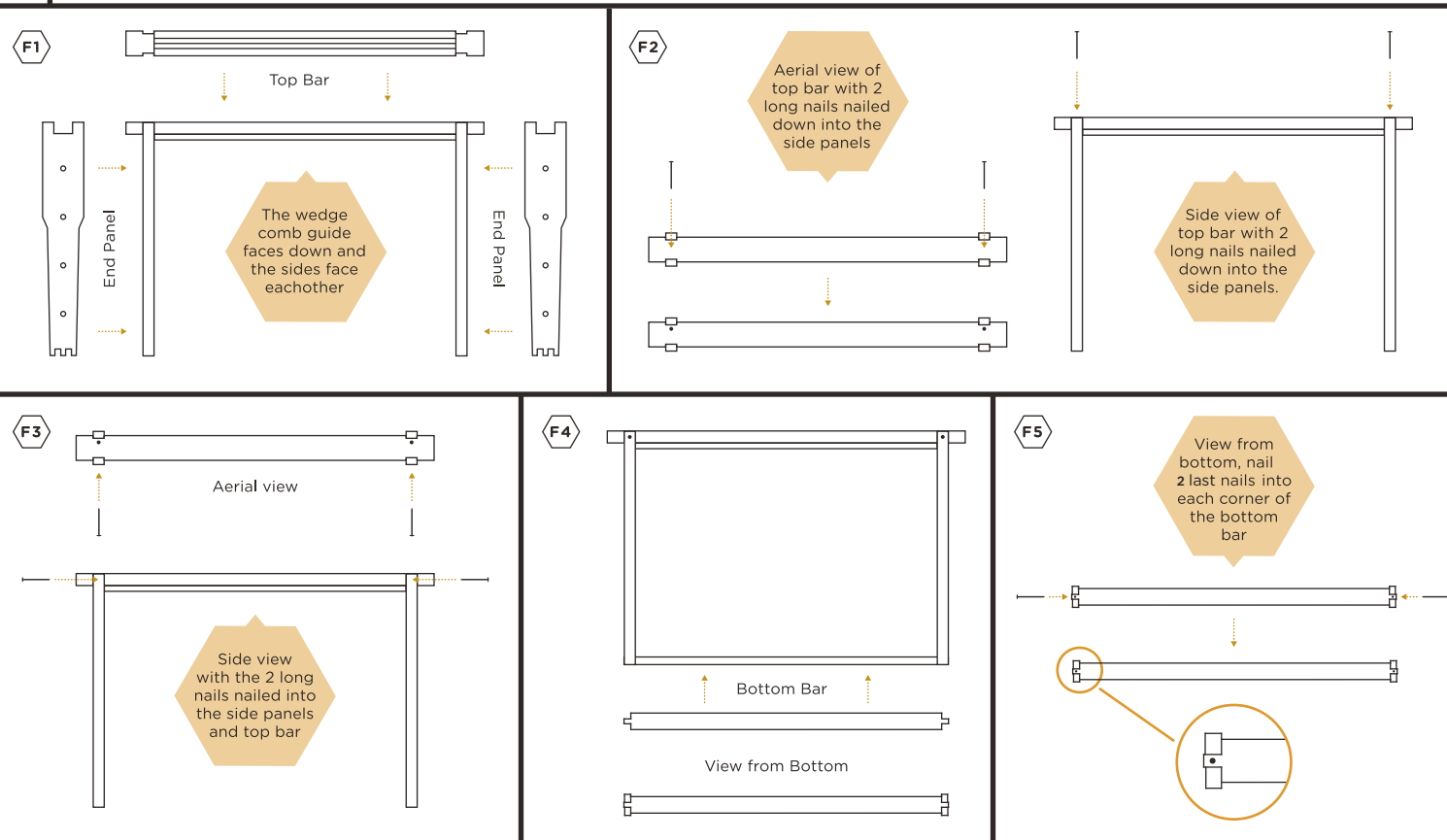
**F1.** Attach the frame sides to the top (the top bar of the frame has a wedge on it).

**F2.** Using 2 long nails, nail one down through each end of the top bar into the end panels (on one side).

**F3.** Using 2 long nails, nail one through the side of each end panel into the top bar (on the opposite side of where you nailed in the first 2 nails). This will ensure that the frame doesn't pull apart once its glued in by the bees with propolis.

**F4.** Attach the bottom bar to the frame sides.

**F5.** Using last two nails, put one nail into the center of the bottom bar, affixing it to the frame sides.



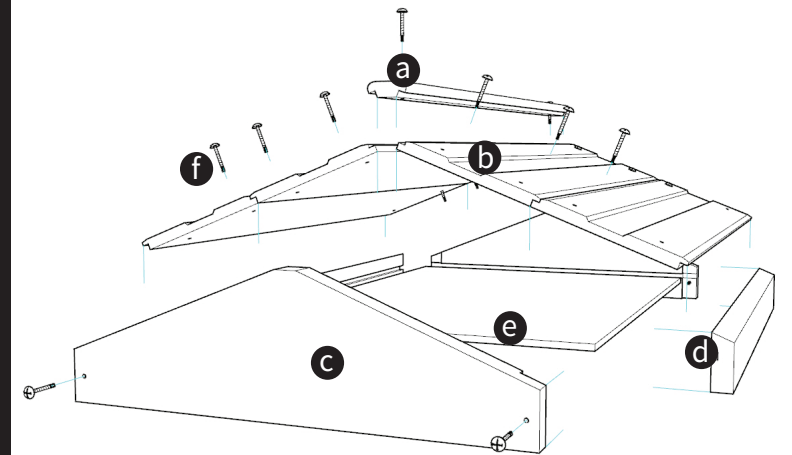
GREAT WORK! YOU ARE ALMOST FINISHED!

# PEAKED ROOF - STEP 3

PARTS & HARDWARE

- a Ridge Cap
- b Precision Milled Shingles (4)
- c Peaked Roof Ends (2)
- d Roof Side Rails (2)
- e Roof Insert
- f Screws (18)

EXPLODED VIEW



ROOF ASSEMBLY

**1.** Attach the two roof side rails to one peaked roof end. Make sure the grooves on all three pieces are aligned. Use a screwdriver or a hand drill to screw the pieces into place.

**2.** Slide roof insert into the grooves. Note: the insert is a rectangle, and it will only fit when the short-end is slid into place first.

**3.** Attach the second peaked roof end to the other ends of the roof side rails. (The roof insert should fit neatly into this peaked roof end's groove as well.) Use a screwdriver or a hand drill to screw pieces into place.

**4.** Use diagram below to differentiate the two sides on each shingle. (Side A has a foot edge and side B has a roof edge.) To ensure that all pieces fit together, attach the ridge cap after the shingles are attached to the roof.

**5.** Attach the top shingles (which make the peak and rest under the ridge cap) first. Line up one shingle with the flat edge on top the peaked roof end. Once this is lined up, attach one shingle at a time with the pre-drilled holes.

**6.** Fit the ridge cap on the flat surfaces of the peaked roof ends. The ridge cap fits neatly in between the top shingles. If there are gaps, realign the shingles to minimize.

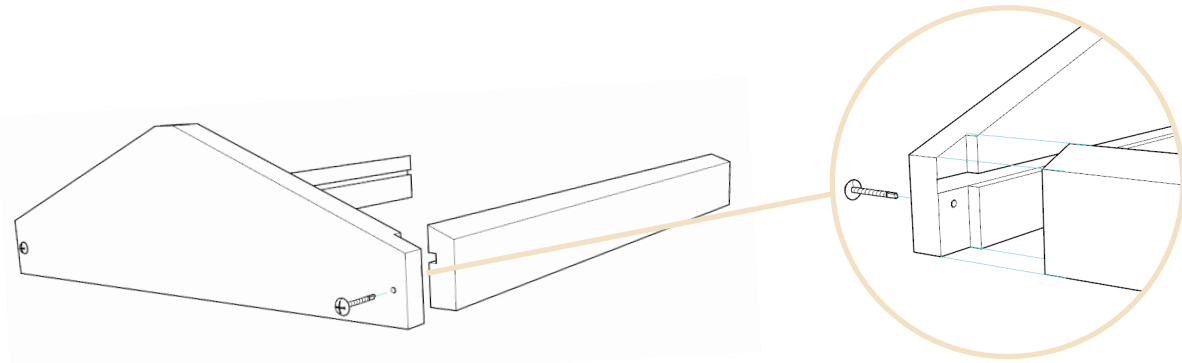
**7.** To attach the bottom / lower shingles, slide side A under the roof side of the attached shingles. With a screwdriver or a hand drill, use the pre-drilled holes to attach the last two shingles.

**Note:** The bottom shingles will have two extra holes, therefore, only two screws are needed.

**8.** We always recommend sealing the point of connection between two pieces of wood with silicone or caulk. This ensures a water-tight seal and additional insulation for bees.

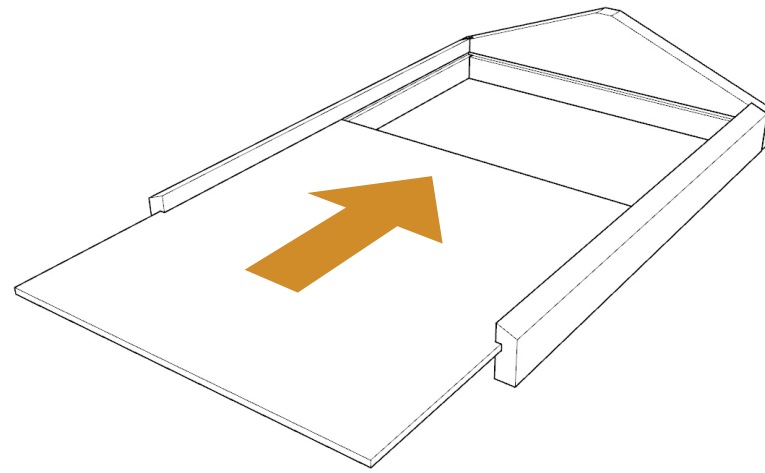
# PEAKED ROOF - STEP 3

1

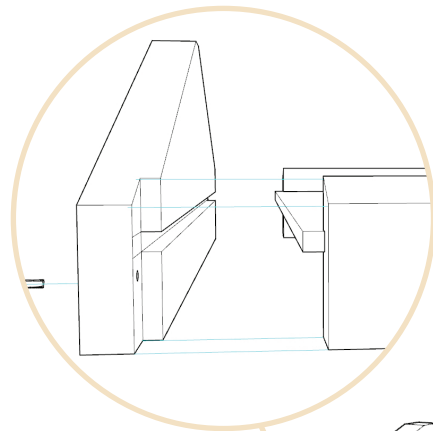


2

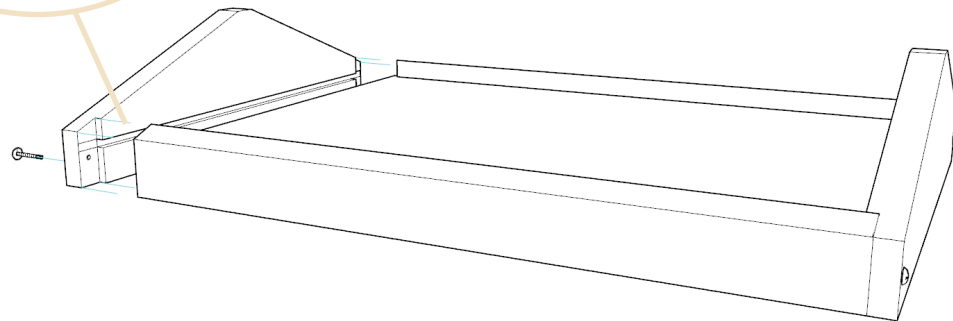
Turn the pieces vertically to slide the insert down into grooves if having difficulty



3

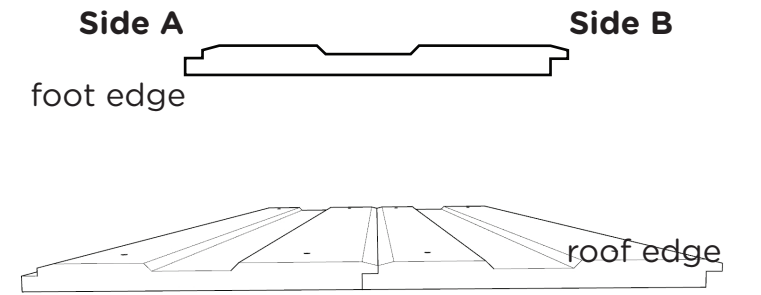


Use clamps on either peaked end to hold the pieces together easily



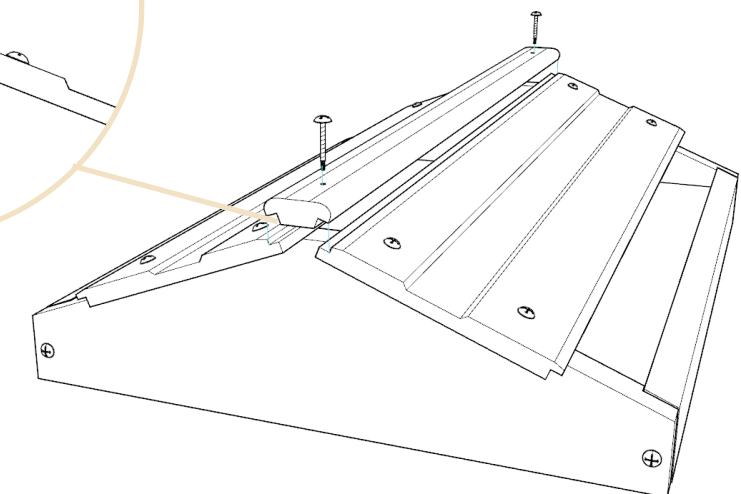
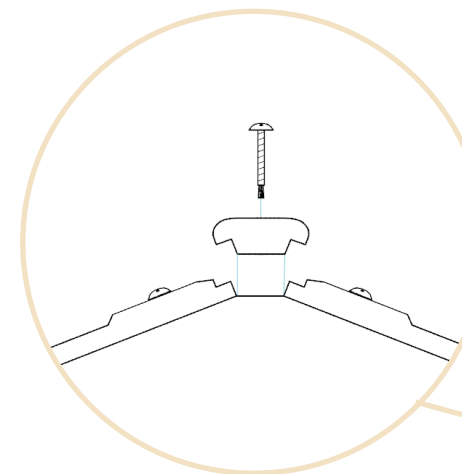
# PEAKED ROOF - STEP 3

4-5



The ridge cap will not fit if the shingles are not oriented correctly

6

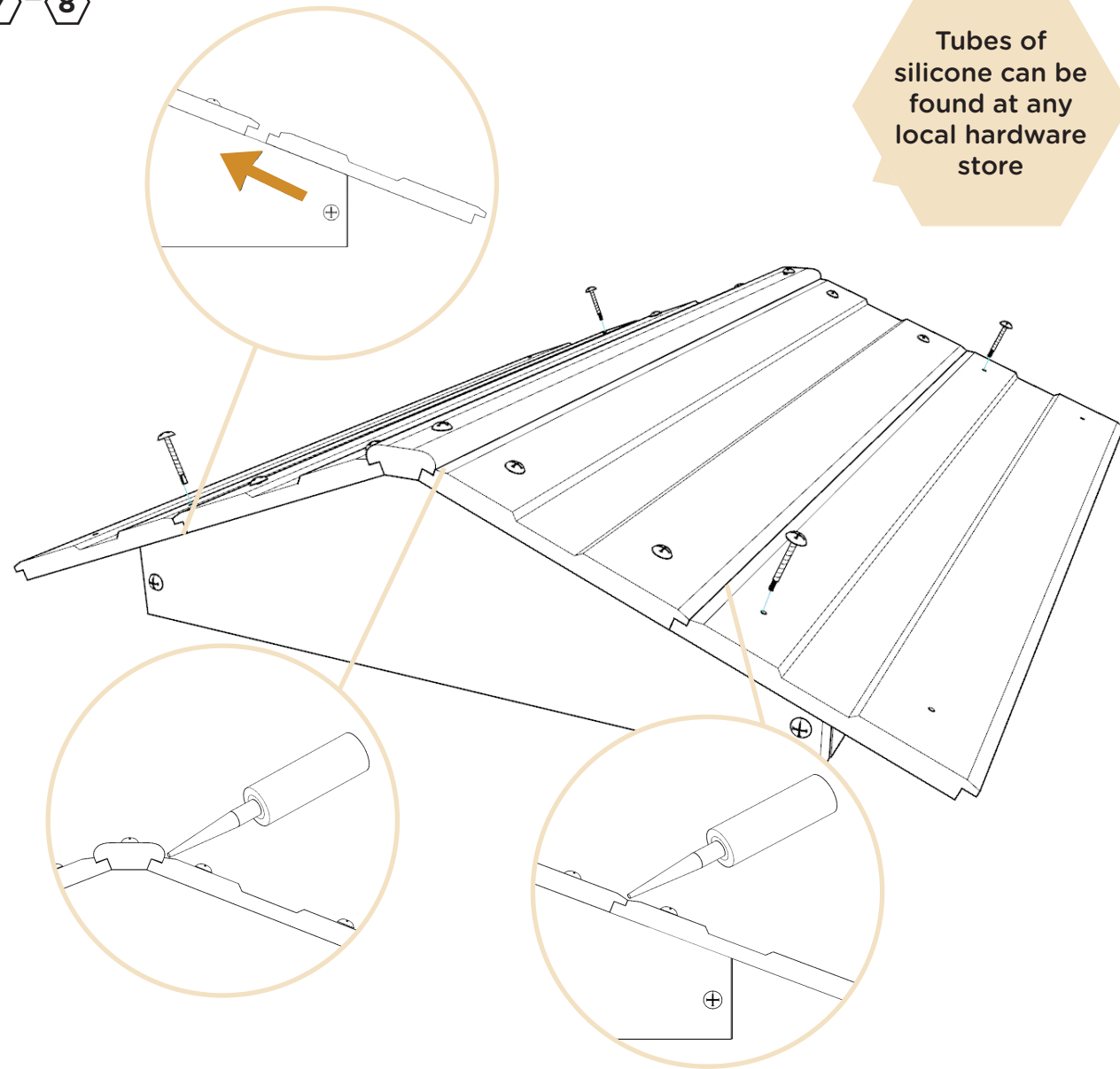




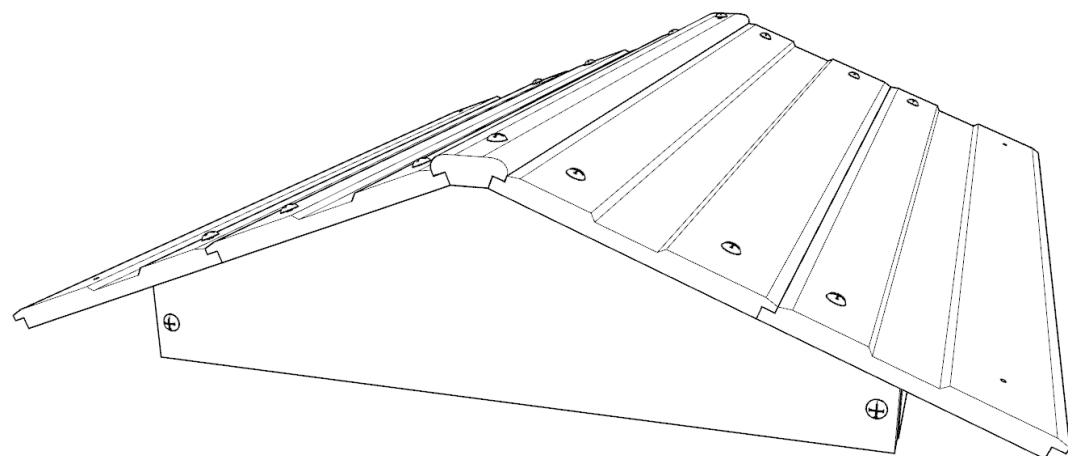
# PEAKED ROOF - STEP 3

7-8

Tubes of silicone can be found at any local hardware store



FINISHED PRODUCT



YOU'RE ALMOST DONE! GO ON TO THE LAST STEP

# STACK HIVE - STEP 4

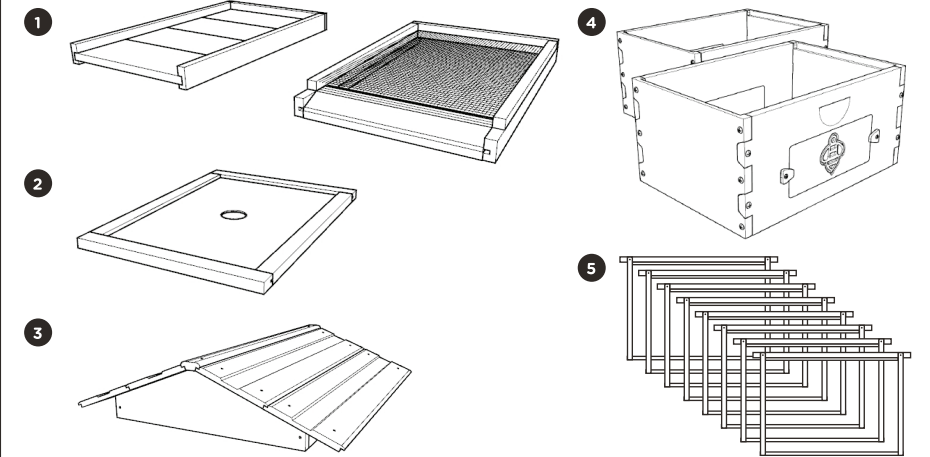
PARTS & HARDWARE

Assembled by us

- 1 Bottom Board (depending on your order)
- 2 Inner Cover

Assembled by you

- 3 Peaked Roof/Telescoping Cover (depending on your order)
- 4 Hive Boxes
- 5 Foundationless Frames



HIVE ASSEMBLY

S1. Now that you have assembled the boxes and foundationless frames, place the frames in the boxes. Push the frames together in the middle.

S2. Now stack the hive parts in this order:

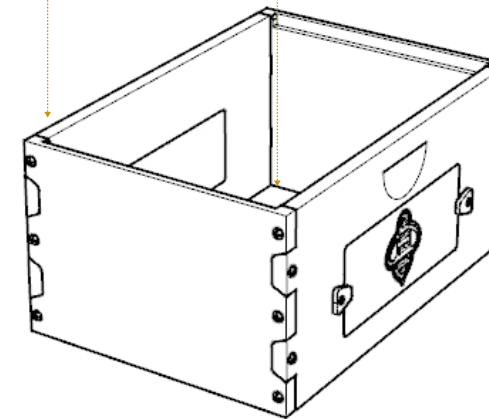
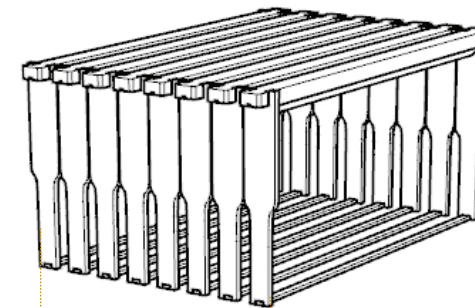
- Bottom Board
- Boxes w/ the Frames inside
- Inner Cover
- Outer Cover/Telescoping Cover

FUN FACTS:

Did you know? All our hives are precision-milled in Portland, Oregon from Western Red Cedar.

Honey is the only food that never spoils.

S1



S2

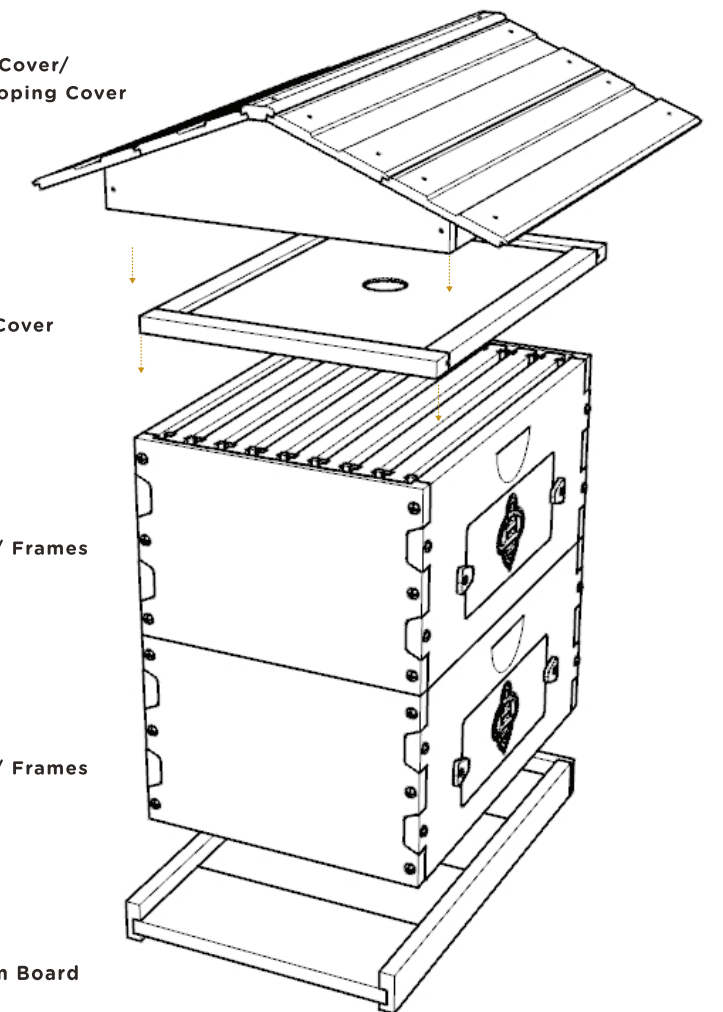
Outer Cover/Telescoping Cover

Inner Cover

Box w/ Frames

Box w/ Frames

Bottom Board



AMAZING! YOU'RE DONE!