

PlusFloor®

Installation Guide

Elements Herringbone

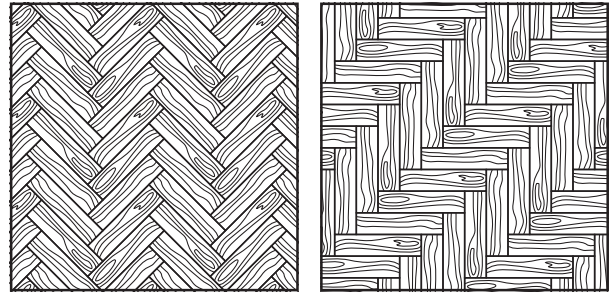


Installation Single Herringbone Pattern

To achieve a satisfactory outcome, we recommend adhering diligently to all provided instructions.

Step 1: Prior to commencing the installation, it is advisable to measure the dimensions of the room. Mark the midpoint of the room's width, as depicted in figure 1.

Step 2: Ensure that you possess an equal quantity of panels categorized as Type A and Type B. Throughout these instructions, Type A panels will be denoted as 'A', while Type B panels will be indicated with the letter 'B'.



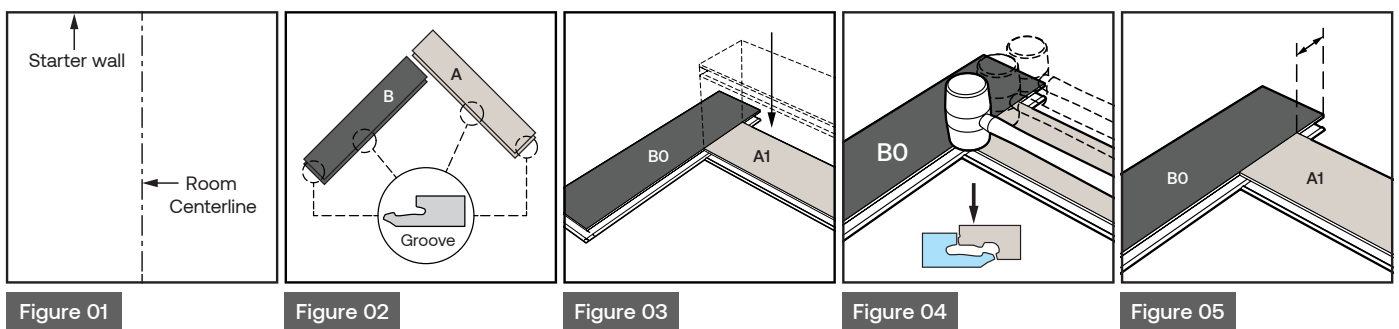
Note: When fitting the panels, it is important to sufficiently intermix the Type A and Type B panels to avoid clustering identical, lighter, or darker panels together. If necessary, install an underlay.

Step 3: Before installing the panels, commence by correctly orienting them. Both the Type A and Type B panels should be positioned with their tongue side facing the starting wall, meaning that the long side groove of both Type A and Type B panels should be facing towards you. Additionally, ensure that the tongue of the short side of panel (B) is positioned towards panel (A). Refer to figure 2 for visual guidance.

Step 4: Place an additional panel labeled as (B0) above panel (A1). This is done to ensure accurate alignment of the subsequent panels. The (B0) panel will be removed later in the process.

Connect the tongue of the short side of panel (A1) with the groove of the long side of panel (B0) by gently dropping it into place, as illustrated in figure 3.

Utilize a rubber mallet to firmly connect the short side of panel (A1), hammering in the direction of and partially overlapping panel (B0). Take care not to cause any damage to the profile or edges while engaging the panels. Please refer to figures 4 and 5 for visual representation.



Installation Single Herringbone Pattern

Step 5: To connect the long sides of the panels, employ an "angle movement". Insert the tongue of panel (B1) into the groove of panel (B0) at an angle of approximately 20-30 degrees. Slide panel (B1) until the tongue on the short side rests just above the groove of panel (A1), then firmly press down on panel (B1) to establish a connection between the long sides of panels (B1) and (B0). Finally, utilize the rubber hammer to connect the tongue on the short side of panel (B1), following the same method as previously described. Refer to figures 6-8 for visual guidance.

Ensure that the joints are completely engaged along the entire length of the panel. If the angle movement proves challenging, it indicates that the planks are not properly engaged with one another.

Step 6: Proceed to connect another (B) panel with the already installed panel (A1) using an "angle movement". Insert the tongue of this panel (B1-2) into the groove of panel (A1) at an angle of approximately 20-30 degrees, then press down on panel (B1-2). Ensure that the edges of the two panels align perfectly. See figure 9.

Step 7: You can now install plank (A2) in a similar manner as panel (B1). Connect the tongue of the long side of panel (A2) with the groove of the long side of panel (A1) at an angle of approximately 20-30 degrees.

Once the long sides are correctly installed, connect the tongue of the short side of panel (A2) by folding it down into the groove of the long side of panel (B1). Fully engage these short sides by using the rubber hammer, employing the same method as described earlier. Refer to figures 10-13.

Install the next (B) panel in the first V-row of your floor using the same approach. See figure 13.

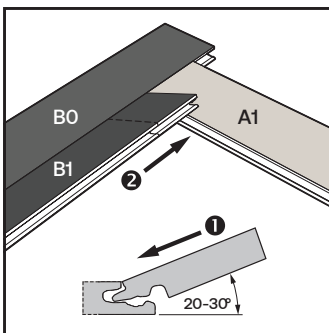


Figure 06

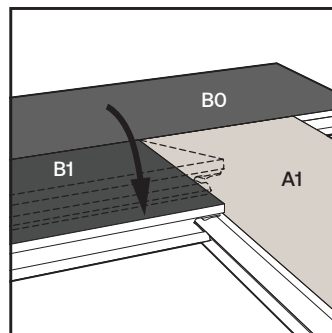


Figure 07

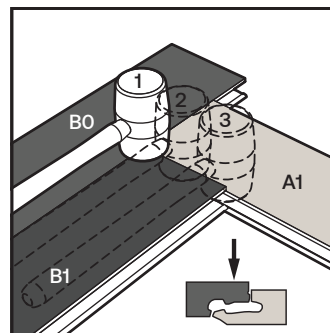


Figure 08

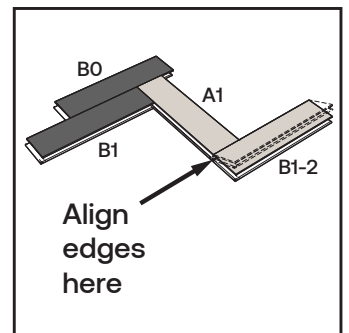


Figure 09

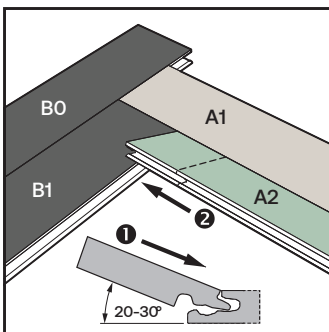


Figure 10

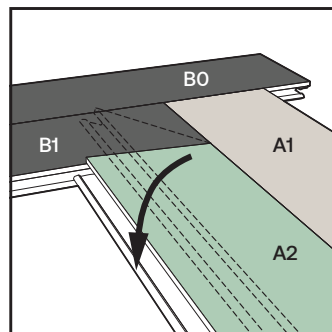


Figure 11

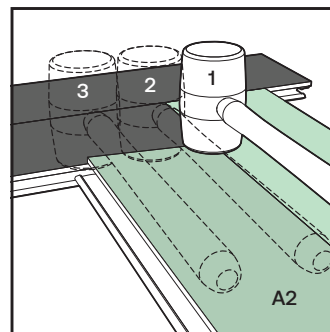


Figure 12

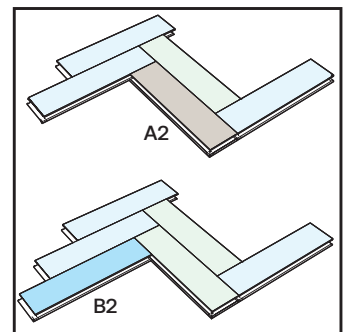


Figure 13

Installation Single Herringbone Pattern

Step 8: To proceed with the installation, follow the aforementioned steps 4-7.

1. Begin by laying a (B0) panel as a temporary supporting panel.
2. Next, connect the subsequent (A) panel with the supporting (B0-2) panel and the previously installed (B) panel. Join the long side groove of panel (A1-2) with the short side tongue of the (B) panel using an angle movement.

Once the long side of panel (A1-2) is correctly installed, connect the tongue of the short side of panel (A1-2) with a fold-down movement into the groove of the long side of the supporting (B0-2) panel. Fully engage both the short side of the (B0-2) panel and the short side of panel (A1-2) by employing the rubber hammer, following the same approach as described earlier. Refer to figure 14 for visual representation.

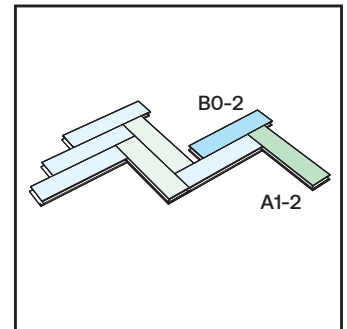


Figure 14

3. The subsequent step involves connecting the long side tongue of the next (B) panel to the short side groove of the newly installed (A) panel, utilizing an angle movement. See figure 15.

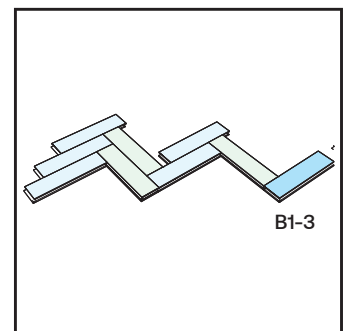


Figure 15

Always ensure that the edges of the two panels align perfectly with each other.

4. Having established the next 'V-row', proceed to install the following four panels from this and the previous 'V-row'. Connect the long side tongue of the panels to the long side groove of the adjacent panels using an angle movement.

Subsequently, connect the tongue on the short side of the panels to the groove of the long side of the adjacent panels with a fold-down movement. Refer to figures 16-19.

5. After installing these panels, commence creating the subsequent 'V-row' with a new supporting (B) panel, and then repeat the aforementioned steps.

It is crucial to ensure that the rows are perfectly centered in the middle of the room. Please take a moment to verify this.

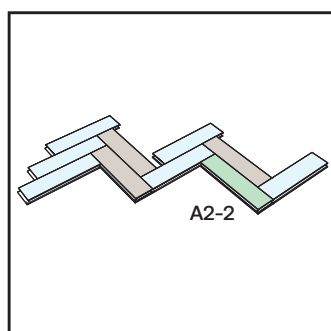


Figure 16

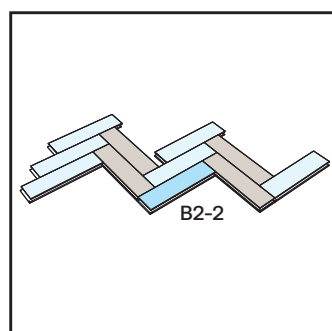


Figure 17

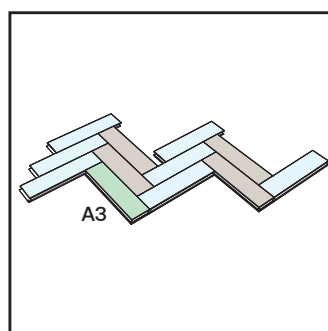


Figure 18

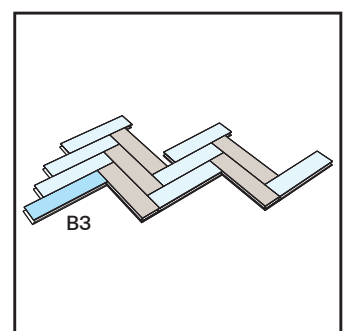


Figure 19

Installation Single Herringbone Pattern

Step 9: Once approximately 5 complete V-rows have been installed, remove the supporting (B) panels and shift the rows towards the starter wall, as depicted in figure 20. Remember to leave an expansion gap between the wall and the panels.

Step 10: The uncovered spaces, forming open triangles between the starter wall and the installed V-rows, require additional panels to be fitted. These panels need to be cut at the appropriate angle. To determine the cutting line, rotate the panel by 180° and position it on the floor, aligning its corner with the adjacent board's corner, as indicated by the arrow and the letter "C" in figure 21. The dashed grey line in figure 21 illustrates that if the cutting line were extended, it would intersect the corners of nearby panels. The projecting grooves of the rotated panel will cover the expansion gap while marking the cut. It is necessary to maintain an expansion gap to accommodate natural movement of the floor following installation. Proceed to cut the marked panel accordingly.

Insert the long sides of the cut panels at an angle of approximately 20-30 degrees, pressing them down to ensure a secure connection. Finally, connect the short sides of the panels using a snapping movement.

Utilize the tapping block and rubber hammer for this process. Place the tapping block against the opposite short side of the panel and gently tap until the short sides are fully connected.

Step 11: Once all the rows of full planks have been installed, the final step in the herringbone floor installation is fitting the cut-off planks along the side walls of the room. Rotate the panel by 180° and position it on the floor in its intended location. The corner "C" should align with the expansion gap line. Draw a line parallel to the wall, at the point where the rotated panel intersects with the already installed panel (indicated by the position of the pencil in figure 23). Proceed to cut the panels accordingly.

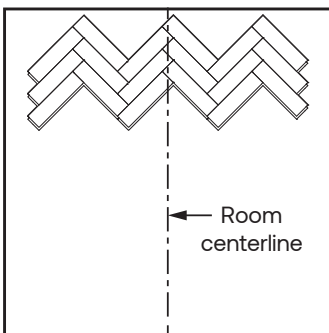


Figure 20

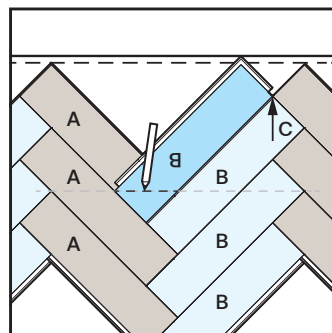


Figure 21

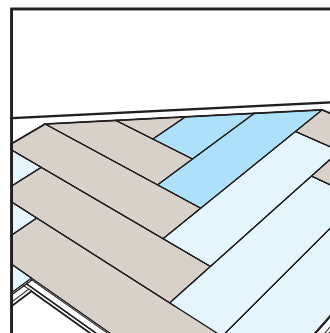


Figure 22

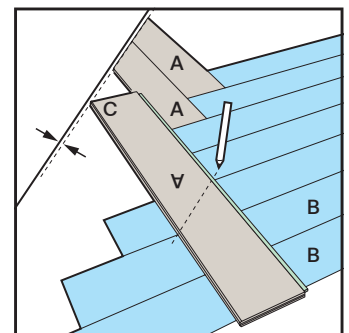


Figure 23

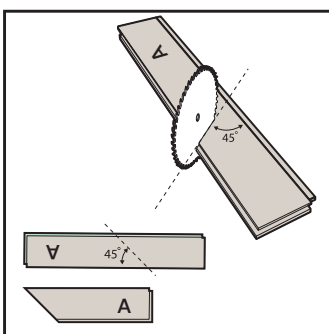


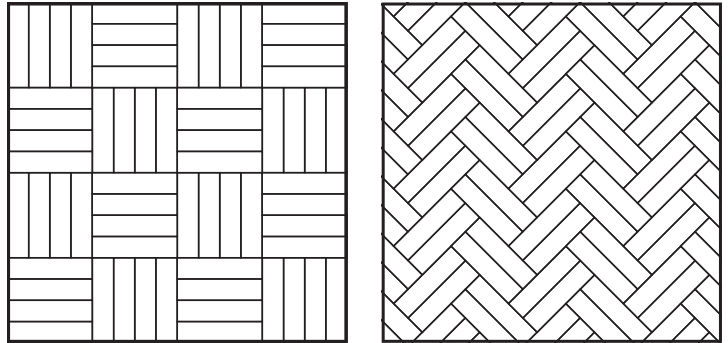
Figure 24

Installation of the Patterns

In addition to the Single Herringbone pattern, the Elements can also be installed in other patterns, such as the Double Herringbone and Mosaic Patterns.

Double Herringbone

To install the Double Herringbone pattern, you can follow the same installation instructions as for the Single Herringbone pattern. The only difference is that you need to place two panels next to each other instead of one.



Mosaic Pattern

For the Mosaic Pattern, it is important that the length of each panel is an exact multiple of its width. In the example provided, the length is exactly four times the width. Both panel types (A) and (B) are required to create the Mosaic pattern.

Step 1: Connect the tongue on the short side of panel (A) with the groove on the long side of panel (B0) using a drop-down movement. Panel (B0) serves as a temporary support to ensure the correct alignment of the panels forming the first mosaic square or "basket".

Now, you can begin assembling the first basket using (B) panels. The long sides of the panels should be joined using an "angle movement". Insert the tongue of the long side of panel (B1) into the groove of the long side of the already installed panel (B0) at an angle of approximately 30 degrees. Slide panel (B1) until the tongue on the short side is positioned just above the groove of panel (A1), and then press panel (B1) down to connect the long sides of both (B) panels. Finally, connect the tongue on the short side of panel (B1) using the rubber hammer. Be careful not to damage the profile or edges while engaging the panels. Repeat these steps for panels (B3) to (B4) as well, following the same process shown in figure 3.

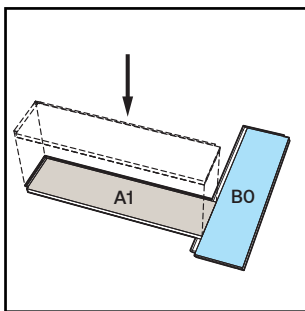


Figure 01

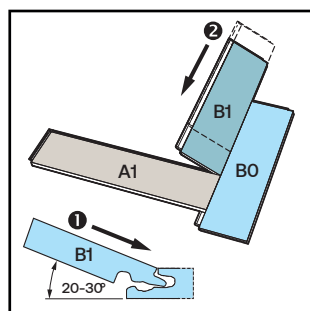


Figure 02

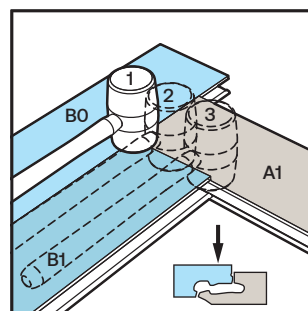


Figure 03

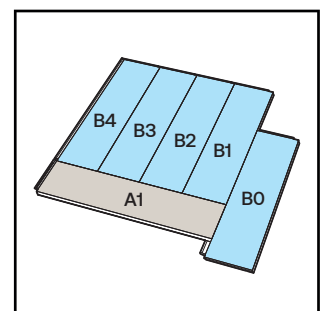


Figure 04

Installation of the Patterns

Step 2: Remove the supporting (B0) panel and replace it with a new temporary supporting panel (A0) on the other side of the (B) panel basket. This will ensure that the (A) panels in the next basket are correctly aligned.

Now, you can begin installing the next basket using (A) panels. The long sides of the panels should be joined using an "angle movement". The groove on the short side of the (A) panels can be connected with a snapping movement. Use the tapping block and rubber hammer for this step. Position the tapping block against the opposite short side of the (A) panel and gently tap it to fully connect the (A) and (B) panels.

Tip: It is advisable to sit with your knees or stand with your feet on the already installed panels to prevent them from shifting during further installation. After tapping the panels into place, make sure they are still well connected.

Step 3: Install another basket using (B) panels. Angle the groove on the long side of the (B) panels into the tongue of the adjacent panel. The groove on the short side of the (B) panels can be snapped into place. Use the tapping block and rubber hammer as before to ensure a secure connection between the (A) and (B) panels.

Step 4: Now, you can proceed with installing the next (A) basket. Join the long sides of the panels using an "angle movement". Insert the groove of the long side of the next (A) panel into the tongue of the previously installed (A) panel at an angle of approximately 30 degrees. Slide the (A) panels until the tongue on the short side is positioned just above the groove of the (B) panel, and then press the (A) panel down to connect the long sides. Finally, use the rubber hammer to connect the tongue on the short side of the (A) panels.

Continue installing all the baskets until you have completed the entire floor. Remember to always use temporary supporting panels throughout the installation process to ensure perfect alignment of all the panels and baskets.

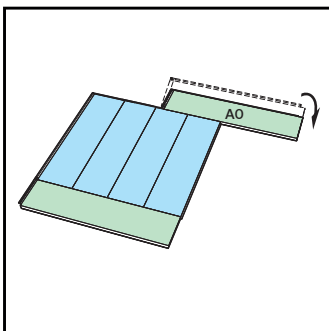


Figure 05

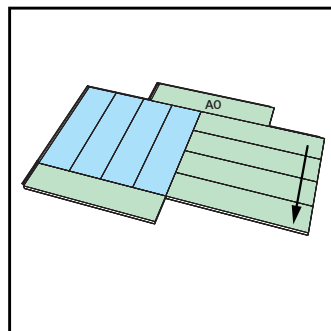


Figure 06

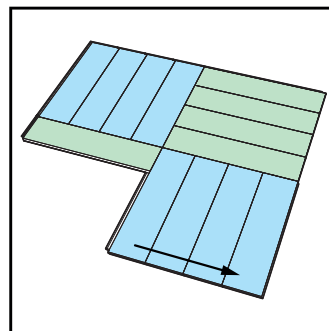


Figure 07

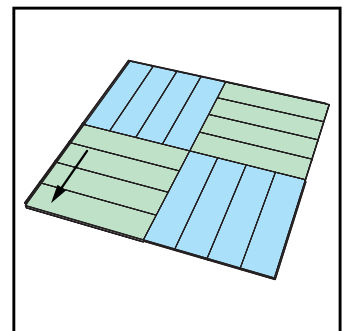


Figure 08

INSTALLATION AND WARRANTY

All PlusFloor floors should be installed by a skilled and competent installer who will consider the unique circumstances of each site. The PlusFloor warranty will be applicable only to floors that have been installed by a competent flooring installer conforming to the standards comparable to BS8201 in the UK or an equivalent standard worldwide.

© This installation guideline sheet has been prepared by PlusFloor, located at Carnforth Business Park, Oakwood Way, Carnforth Lancashire LA5 9FD. All information provided in this sheet is accurate at the time of writing and publication. The photographs included in this sheet are solely for illustrative purposes, and no rights can be derived from them.

Plusfloor Unit 11,
Carnforth Business Park,
Oakwood Way, Carnforth,
LA5 9FD
Tel no. +44(0)1524 481 118
Fax. +44(0)1524 481 171
info@plusfloor.com
www.plusfloor.com

PlusFloor®

01524 481 118
info@plusfloor.com
plusfloor.com

London Showroom
Pear Tree Street
Clerkenwell
London, EC1M 3AP

Innovation + Distribution Centre
11 Oakwood Way
Carnforth Business Park
Carnforth, LA5 9FD