

ATMOSFX™

DIGITAL DECORATING® KIT+PLUS



USER MANUAL

Please read carefully before using the projector kit

MADE IN CHINA

SECTION 1: SAFETY AND KIT INFORMATION

1.1 SAFETY INFORMATION	2
1.2 DIGITAL DECORATING KIT PLUS COMPONENTS	3
1.3 REMOTE CONTROL BATTERY SAFETY	3
1.4 PROJECTOR FUNCTION BUTTONS	4
1.5 REMOTE CONTROL FUNCTION BUTTONS	4
1.6 PROJECTOR FEATURES	5-6

SECTION 2: USING YOUR DIGITAL DECORATING KIT PLUS

2.1 POWERING ON AND OFF	7
2.2 HOW TO FOCUS	7
2.3 HOW TO PROJECT A STRAIGHT IMAGE	8

SECTION 3: SETTING UP YOUR DIGITAL DECORATING KIT PLUS

3.1 CHOOSING A LOCATION	9
3.2 INSTALLING PROJECTION MATERIAL	9
3.3 SETTING UP YOUR TRIPOD BRACKET	10-13

SECTION 4: PLAYING ATMOSFX DIGITAL DECORATIONS

4.1 CHOOSING YOUR MEDIA SOURCE	14
4.2 FINDING YOUR DIGITAL DECORATIONS	14-16
4.3 PLAYING YOUR DIGITAL DECORATIONS	16
4.4 ON-SCREEN PLAY MENU	17

SECTION 5: SETTINGS MENU

5.1 PICTURE SETTINGS	18
5.2 SOUND SETTINGS	19-20
5.3 TIME SETTINGS	21
5.4 SYSTEM OPTIONS	21-22

SECTION 6: TECHNICAL AND COMPLIANCE INFORMATION

6.1 TECHNICAL SPECIFICATIONS	22
6.2 FILE FORMATS SUPPORTED	22
6.3 US FCC STATEMENT	23
6.4 ATMOSFX INC LIMITED WARRANTY	24-25

SECTION 1: SAFETY AND KIT INFORMATION

1.1 SAFETY INFORMATION

- FOR ADULT USE ONLY. NOT INTENDED FOR USE BY CHILDREN UNDER THE AGE OF 14.
- This product is designed for **indoor use only**. To prevent electric shock, always use the projector and adapter in a dry environment and away from water.
- Failure to use the adapter and power cord provided may create a fire hazard and may void warranty.
- For safety, please turn off the projector and disconnect from power source when not in use.
- During use keep the lens at least 3 feet from flammable items.
- Do not block/cover the vents on the projector and always operate projector in a ventilated, clean and dry area.
- Avoid exposing the projector to vibration, heat or radiation.
- Do not look directly into the projector lens during set-up or operation.
- Please keep original supplied box and protective material for safe storage and transportation.
- Tampering with or opening the device housing will void warranty.
- If you find any operational defects, do not attempt to repair. Unplug the projector. Then contact support@atmosfx.com to initiate a warranty claim.

1.2 DIGITAL DECORATING KIT PLUS COMPONENTS

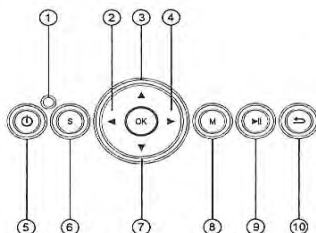
- Digital Decorating Plus LED High-Definition Projector
- AC-DC Power Adapter (UL/CUL for US/Canada)
- Remote Control (operated by 2xAAA batteries, not included)
- Tripod Bracket Set (tripod not included)
- White Polyester Projection Screen (4' x 6')
- 8pcs. Double-Stick Tape Squares
- Instruction Manual
- 2GB SD card (contains 20 AtmosFX Digital Decorations)

The ATMOS FX DIGITAL DECORATING KIT PLUS is designed to rear-project digital decorations onto a projection screen in a window of your home for viewing from outside. Or it can be used to front-project onto surfaces for viewing inside your home.

1.3 REMOTE CONTROL BATTERY SAFETY

1. Insert new 2xAAA batteries (not included) into the battery compartment according to the polarity markings (+/-).
2. Remove battery if Remote Control will not be used for an extended period, and store in safe, cool and dry place.
3. Recycle or dispose used batteries following local regulations.
4. **WARNING - SMALL PARTS - KEEP REMOTE CONTROL AND BATTERIES AWAY FROM CHILDREN UNDER 36 MONTHS.**

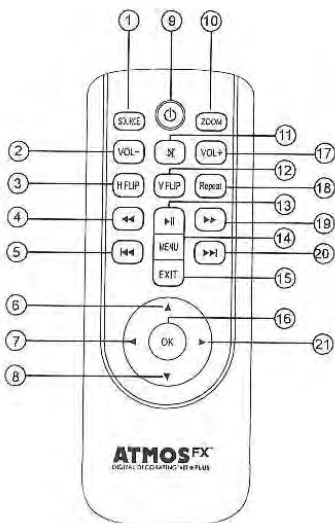
1.4 PROJECTOR FUNCTION BUTTONS



1. Indicator Light
2. Left
3. Up
4. Right
5. Power
6. Source
7. Down
8. Menu
9. Play / Pause
10. Return

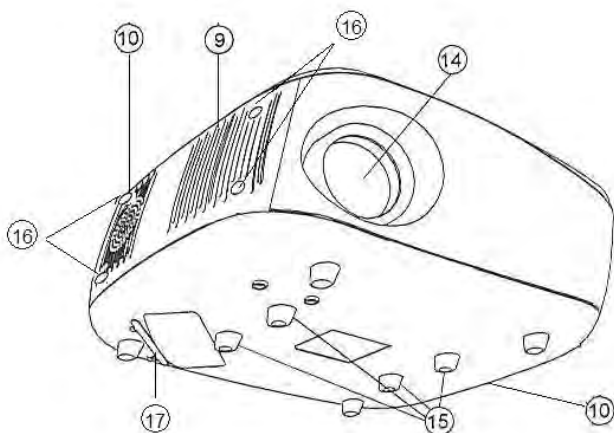
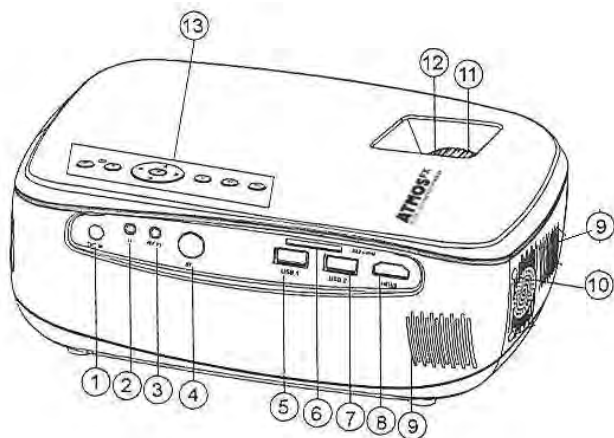
1.5 REMOTE CONTROL FUNCTION BUTTONS

For optimal performance, always point the Remote Control towards the IR Receiver at the back of the projector.



1. Source selection
2. Volume down
3. Horizontal flip
4. Backward
5. Previous
6. Up
7. Left
8. Down
9. Power
10. Zoom
11. Mute
12. Vertical flip
13. Play / Pause
14. Menu
15. Exit
16. Enter
17. Volume up
18. Repeat
19. Forward
20. Next
21. Right

1.6 PROJECTOR FEATURES



(see next page for details)

-
1. **POWER INPUT:** 33V, 5A AC-DC power supply adapter
 2. **3.5MM AUDIO JACK:** Connects to 3.5mm audio cable (Note: Audio playback may be delayed by a few seconds when switching between speaker and audio jack)
 3. **AV PORT:** Connects from 3.5mm port to composite AV
 4. **IR SENSOR RECEIVER:** Receives IR signals from the remote control
 5. **USB 1 INPUT:** Compatible with USB drives and hard drives. (powered)
 6. **SD CARD INPUT:** Compatible with SD Card media including SDHC, SDXC
 7. **USB 2 INPUT:** Compatible with USB drives and hard drives
 8. **HDMI INPUT:** Connects to media devices via HDMI
 9. **AIR VENTS:** For internal cooling (do not block)
 10. **SPEAKERS:** 4ohm, 2W x2
 11. **FOCUS DIAL:** Rotate left or right for focusing the projected image
 12. **KEYSTONE DIAL:** Rotate left or right for aligning the angle of the projected image
 13. **FUNCTION BUTTONS:** Buttons for navigating the projector UI without the use of the remote
 14. **LENS COVER:** Protection for the lens while projector is not in use.
 15. **HORIZONTAL PROJECTION TRIPOD BRACKET MOUNTS:** See section 3.3 for assembly instructions.
 16. **VERTICAL PROJECTION TRIPOD BRACKET MOUNTS:** See section 3.3 for assembly instructions.
 17. **DUST FILTER:** Pull out the dust filter periodically and rinse the filter under cold running water. Re-install after air-drying.

SECTION 2: USING YOUR DIGITAL DECORATING KIT PLUS

2.1 POWERING ON AND OFF:

Connect the power adapter jack to the projector, and then plug the power adapter into the AC power source. Indicator light on projector will be GREEN and turn RED after initialization, and the projector will then enter into standby status.

Power on: Press power button on the projector or the remote to turn on projector. Indicator light will turn GREEN;

Power off: When ON, press again power button on the projector or the remote to put projector into standby status (indicator light will turn RED). It takes 30 seconds to power off fully and get set for restart. DO NOT restart the projector within 30 seconds. Unplug power adapter to power off projector completely.

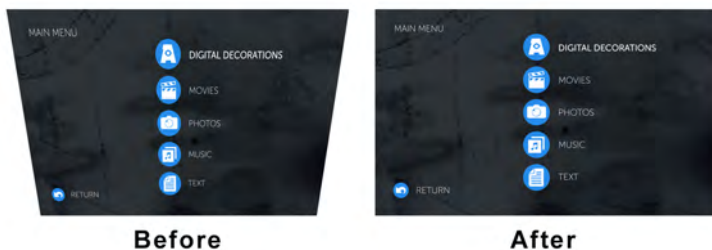
Warning: Failure to use the provided adapter and power cord may create a fire hazard and void any warranties.

2.2 HOW TO FOCUS:

Place the projector at desired distance (typically 4-8 feet) from display screen. Rotate the projector front lens barrel (#11 in section 1.6 diagram) to adjust focus.

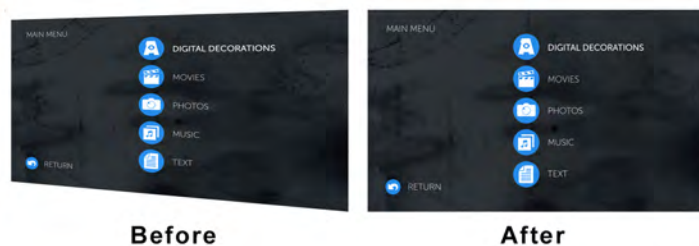
2.3 HOW TO PROJECT A STRAIGHT IMAGE:

Vertical Distortion: If the projector cannot be placed to display a straight image, use the keystone correction dial (#12 in section 1.6 diagram) to adjust vertical distortion. The range of keystone correction is +/- 15 degrees.



Keystone Correction of Vertical Distortion

Horizontal Distortion: To adjust horizontal distortion, adjust the position of the projector so it projects perpendicular to the vertical centerline of the screen. Keystone correction does not correct horizontal distortion.



Projector Position Adjustment of Horizontal Distortion

SECTION 3: SETTING UP YOUR DIGITAL DECORATION KIT PLUS

3.1 CHOOSING A LOCATION

Before getting started, inspect your intended projection location. Make sure the room you are using has enough space for you to project onto your desired area.

You can do this by dimming the lights, turning on the projector, positioning yourself from your projection area, and then moving the projector backwards or forwards until the projection completely fills the window frame.

Once you have chosen an appropriate location for the projector, make any precautions to prevent any accidental collisions or chances of tripping on electrical cords.

3.2 INSTALLING PROJECTION MATERIAL

First make sure the area you are projecting onto is able to be covered by the 4x6 foot projection material.

Next, make sure the areas of your wall or window where you will be attaching the double-sided tape squares are clean of dust or debris.

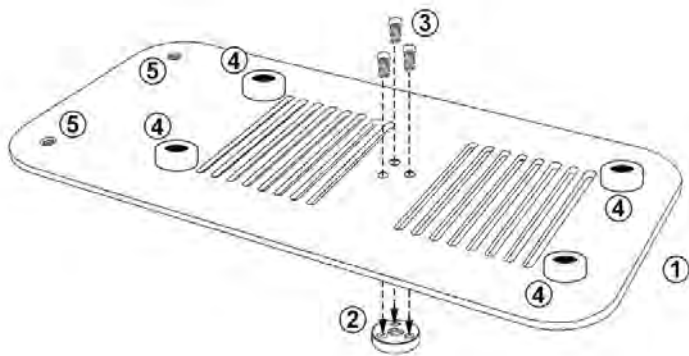
Apply the tape squares to the top of your projection material and then apply the material to your window. Press firmly on the tape to ensure good adhesion.

With your projection screen now hanging, apply the rest of the tape squares to the other corners of the material.

3.3 SETTING UP YOUR TRIPOD BRACKET

Bracket Accessories include:

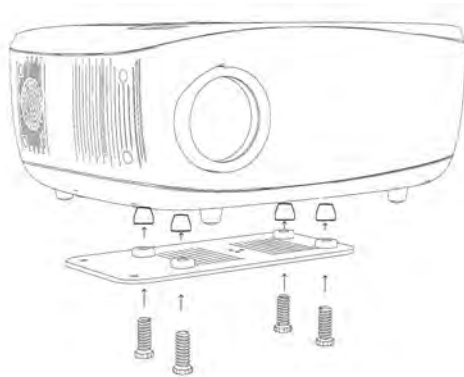
1. Tripod Bracket
2. Tripod Mount
3. 3x Tripod Mount Screws (short, silver-color)
4. 4x Bracket-Projector Screw Holes
(for use with 4x black screws with white silicone spacers)
5. 2x Adjustable Foot Screw Holes
(for use with 2x black screws without silicone spacers)



1. Using a Phillips-head screwdriver, install the circular Tripod Mount beneath the Bracket (the 4 black nylon pads should be facing upwards) with the three (3) Tripod Mount Screws.

FOR HORIZONTAL PROJECTION USING A TRIPOD

NOTE: Only use with tripods rated to support weight of at least 5lbs.



- 1) Remove the white silicone spacer from a screw. Insert the screw up through the Bracket. Place the spacer onto the screw and rotate the screw until the spacer sits snugly on the top of the black nylon pad.
- 2) Repeat with remaining three (3) screws.
- 3) With projector unplugged and power turned off, carefully place projector upside down onto a stable flat surface.
- 4) Position the four (4) screws against the four (4) Horizontal Projection Tripod Bracket Mounts on the bottom of the projector.
- 5) By hand, tighten halfway one of the screws into the matching bracket mount. Repeat with the diagonally opposite screw, then the remaining two screws.
- 6) Completely tighten all four (4) screws while checking that the Bracket sits level and fits snugly with the projector.
- 7) Securely screw a user-provided tripod clockwise into the circular Tripod Mount beneath the Bracket.

-
- 8) Using both hands, turn over the projector and tripod. Adjust the tripod legs onto a secure, flat surface and confirm the projector is balanced and stable.

FOR VERTICAL PROJECTION USE

NOTE: Only use with tripods rated to support weight of at least 5lbs.



- 1) Remove the white silicone spacers from four (4) black screws, and keep the spacers in a safe place away from children. The spacers are not needed for Vertical Projection.
- 2) Install from under the Bracket the two (2) foot screws (long, black without silicone spacers) into the front Adjustable Foot Screw Holes of the Bracket. Screw in all the way without overtightening.
- 3) With projector horizontal, unplugged, and power turned off, carefully position the four (4) black nylon pads of the Bracket against the four (4) Vertical Projection Tripod Bracket Mounts on the side of the projector.

-
- 4) Insert one of the Bracket-Projector Screws into the matching bracket mount and tighten snugly by hand. Repeat with the diagonally opposite screw, then the remaining two screws.
 - 5) If not using a tripod, the Bracket functions as a base for Vertical Projection from a secure, flat surface. To level the Bracket and vertically align the projector:
 - loosen the rear-left Bracket-Projector Screw (“A” in above diagram) by three 180-degree half-turns;
 - loosen the front-left Adjustable Foot Screw (“B” in above diagram) by three 180-degree half-turns;
 - loosen the front-right Adjustable Foot Screw (“C” in above diagram) slightly as needed until the projector is balanced and stable.
 - 6) The Adjustable Foot Screws may be loosened further to tilt up a Vertical Projection, but always make sure the projector is balanced and stable.
 - 7) If using a tripod, securely screw a user-provided tripod clockwise into the circular Tripod Mount beneath the Bracket.
 - 8) Adjust the tripod legs onto a secure, flat surface and confirm the projector is balanced and stable.

SECTION 4: PLAYING ATMOSFX DIGITAL DECORATIONS

4.1 CHOOSING YOUR MEDIA SOURCE

Insert your media source (eg. SD Card or USB Drive) into the relevant slot. Press 'S' on the projector or 'Source' on the remote to see the Input Source menu and use ▼/▲ to navigate to the correct source and hit 'OK.'



4.2 FINDING YOUR DIGITAL DECORATIONS

Select 'DIGITAL DECORATIONS' then press 'OK.'



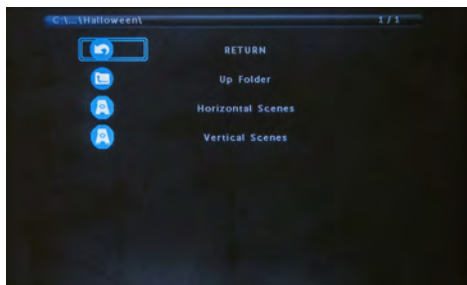
Press 'OK' on 'C', or relevant drive if using multiple sources.



Use ▼/▲ to navigate to desired Digital Decoration theme folder or the introductory video " Digital Decorating Basics" and press 'OK.'




Use ▼/▲ to choose the display type. Press 'OK.'




4.3 PLAYING YOUR DIGITAL DECORATIONS

Use ▼/▲ and 'OK' to navigate to and select your desired Digital Decoration. Select a single or multiple files. To cancel a selection, press 'OK' again



Press the play button  on either the remote or the projector and enjoy the magic!

At any time, press  or 'EXIT' to stop playback and return to the previous page.

4.4 ON-SCREEN PLAY MENU

For advanced play functions, press 'OK' during playback to bring up the on-screen play menu. Using the remote, press ◀ / ▶ to navigate through the options. Press 'OK' to select any function. Press 'EXIT' to hide the on-screen play menu.

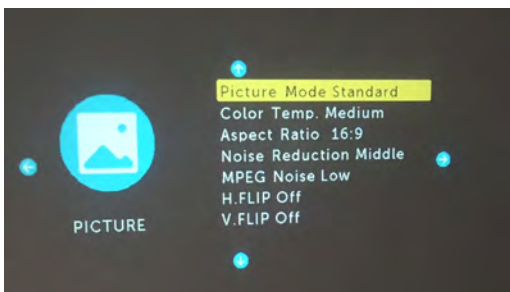


- ▶|| Play / Pause
- ◀◀ Fast Backward (2x; 4x; 8x; 16x)
- ▶▶ Fast Forward (2x; 4x; 8x; 16x)
- ⏮ Previous File
- ⏭ Next File
- Stop
- 🔄 Repeat One / Repeat All / Repeat None
- 🔄 Repeat Random / Repeat Random Off
- 🔄 Repeat Segment: A to B (Press 'OK' to set segment start point A, then press 'OK' to set segment stop point B; cancel the repeating by pressing "OK" to get the on-screen play menu and select "Repeat None".)

SECTION 5: SETTINGS MENU

Press 'M' on the projector or 'Menu' on the remote to access the settings menu. Use ◀ / ▶ to navigate each section. Use ▼/▲ to navigate within each submenu. At any time press 'EXIT' or [EXIT] to exit the settings menu.

5.1 PICTURE SETTINGS



- **PICTURE MODE:** User, Vivid, Standard, Soft
- **COLOR TEMPERATURE:** User, Cool, Medium, Warm
- **ASPECT RATIO:** Auto, 4:3, 16:9
- **NOISE REDUCTION:** Off, Low, Middle, High, Default
- **MPEG NOISE REDUCTION:** Off, Low, Middle, High, Default
- **H.FLIP:** ON* , OFF
- **V.FLIP:** ON* , OFF

*H.FLIP and V. FLIP cannot be triggered during playback. If you want to flip the projected image but have already initiated playback, press 'EXIT' or [EXIT] to return to the previous menu and then press H.FLIP or V.FLIP before pressing PLAY again.

5.2 SOUND SETTINGS







- **SOUND MODE:** User, Standard, Music, Movie and Sports
- **BALANCE:** -50 (full left) to 50 (full right)
- **AUTO VOLUME:** On, Off
- **SURROUND SOUND:** Off, SRS TruSurround XT, Surround
- **BLUETOOTH:** Bluetooth ON /OFF , BT Reset

Bluetooth ON /OFF: Enable or disable Bluetooth function.

BT Reset: Start initial pairing with a Bluetooth external speaker (make sure Bluetooth is ON first). This may take 10-15 seconds.

When Bluetooth speaker is paired, on main menu the Bluetooth icon turns blue and the device name appears in the top right corner. When unpaired, the icon is grey, "BT DISCONNECT" appears in the corner, and the projector speakers will re-activate.

Pairing Tips:

1. MENU => SOUND => BLUETOOTH
2. Use  to turn Bluetooth ON
3. Scroll down to BT Reset and use  to start initial pairing
4. Turn on your Bluetooth device and pairing begins
5. To pair a different device:
 - turn off the originally paired speaker
 - MENU => SOUND => BLUETOOTH
 - Use  to turn Bluetooth OFF, then ON again
 - Scroll to BT Reset and use  to start new pairing
 - Turn on new device and pairing begins

Please be advised that pairing functionality may vary due to differences in configuration of some speakers available in the market.

Bluetooth Troubleshooting

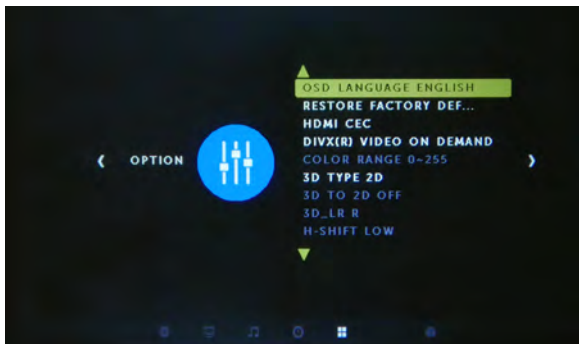
- The AtmosFX Digital Decorating Kit Plus can only pair with one Bluetooth speaker at a time.
- The AtmosFX Digital Decorating Kit Plus has an effective Bluetooth range of up to 5 meters. To ensure strong initial connection, however, place your speaker next to the projector during pairing.
- The projector Bluetooth is a sound output device and cannot pair with other devices or accept signal input from other Bluetooth devices
- When pairing your Bluetooth speaker, make sure all other nearby Bluetooth devices are turned off.
- When pairing your Bluetooth speaker, make sure it is not currently paired with any other devices.
- If pairing fails, turn off the Bluetooth feature and restart the projector.

5.3 TIME SETTINGS



- **CLOCK:** Set local time
- **OFF TIME:** Off, One and Every Day
- **ON TIME:** Off, Once and Every Day
- **SLEEP TIMER:** Off, 10/20/30/60/90 minutes
- **AUTO SLEEP:** On, Off (defaults to Off on shutdown)
- **SOFTWARE UPDATE (USB)**

5.4 SYSTEM OPTIONS



- **OSD LANGUAGE:** English, French, etc.
- **RESTORE FACTORY DEFAULT:** Yes, No
- **HDMI CEC:** HDMI CEC, Auto Standby

SECTION 6: TECHNICAL AND COMPLIANCE INFORMATION

6.1 Technical Specifications

Image System	TFT LCD 1280 x 768	Color	16.7 million, 18 bit RGB
Contrast Ratio	500:1	Keystone Correction	± 15° Vertical
Native Resolution	1280 x 768 (RGB) Pixels	Power Supply	33V, 5A DC adapter
Supported Resolution	1920 x 1080	Power Consumption	Projector 165W / LED 70W
Lamp	LED	Input	USB, SD, HDMI, AV
Lamp Life	30K hours	Output	3.5mm earphone
Lens	F = 2.10	Speaker	4 Ω, 2W x 2
Operation Mode	Manual	System	Multimedia
Projection Distance	3.5' to 9.0'	Language Supported	English, French
Projection Size	40" to 100"	Product Size	12.2" x 9.7" x 5.3"
Aspect Ratio	4:3 / 16:9	Projector Weight	5.3 lbs
Working Temperature	50°F to 86°F	Bluetooth	2.1 + EDR Version

6.2 File Formats Supported

Mode		Files format supported
Multimedia	Audio	MP3 /WMA /ASF /OGG /AAC /WAV
	Photo	JPG, BMP, PNG
	Video	3GP(H263,MPEG4), AVI (XVID, DIVX, H264), MKV (XVID, DIVX, H264), FLV(FLV1), MOV(H264), MP4 (MPEG4.AVC), MPG (MPEG1), VOB(MPEG2), MPG(MPG-PS), RMVB (RV40)
	Text	TXT
HDMI		578p, 480p, 720p, 1080p, 640*480, 800*600, 1024*768, 1280*1024, 1280*720, 1440*900, 1920*1080, 1366*768, 1280*800, 1440*960, 1600*1200, 1680*1050

Note: This projector does not support DOLBY audio decoding.

6.3 US FCC Statement

FCC ID 2ADC2-AFXG014

This device complies with Part 15 of FCC Rules. Operation is subject to the following two conditions: (1) this device may not cause harmful interference, and (2) this device must accept any interference received, including interference that may cause undesired operation.

This equipment has been tested and found to comply with the limits for a Class B digital device, pursuant to Part 15 of the FCC Rules. These limits are designed to provide reasonable protection against harmful interference in a residential installation. This equipment generates, uses and can radiate radio frequency energy and, if not installed and used in accordance with the instructions, may cause harmful interference to radio communications. However, there is no guarantee that interference will not occur in a particular installation. If this equipment does cause harmful interference to radio or television reception, which can be determined by turning the equipment off and on, the user is encouraged to try to correct the interference by one or more of the following measures: reorient or relocate the receiving antenna; increase the separation between the equipment and receiver; connect the equipment into an outlet on a circuit different from that to which the receiver is connected; consult the dealer or an experienced radio/TV technician for help.

Warning: You are cautioned that any changes or modification not expressly approved by the party responsible for compliance could void your authority to operate the equipment.

This equipment complies with FCC RF exposure limits for an uncontrolled environment. This transmitter must not be co-located or operating in conjunction with any other antenna or transmitter.

6.4 ATMOSFX INC. LIMITED WARRANTY

AtmosFX Inc. warrants all AtmosFX products that are subject to this Limited Warranty (“Warranted Products”) against defects in material and workmanship for 30 days after receipt of shipment. This Limited Warranty extends to the first consumer purchaser of the applicable Warranted Product from AtmosFX. Only items that have been purchased directly from AtmosFX are governed by this Limited Warranty. AtmosFX products purchased through other retailers must be returned in accordance with that retailer’s respective replacement and refunds policy.

All AtmosFX Limited Warranties are non-transferable. For clarity, this Limited Warranty does not apply to resellers of AtmosFX products.

Products that are not Warranted Products include: AtmosFX digital downloads and other non-physical goods (including any software embedded in an AtmosFX product); AtmosFX products not purchased directly from www.AtmosFX.com; AtmosFX products purchased as “Final Sale” items; products featuring AtmosFX content or using AtmosFX registered trademarks but not produced by AtmosFX Inc.

AtmosFX’s Limited Warranty shall not apply to product that has been damaged through misuse, abuse, accident, modifications, alterations, neglect, mishandling, or faulty installation.

If you believe an AtmosFX product you purchased is subject to a manufacturer defect and you are within the 30-day warranty period, please contact us, using the contact information set forth at the end of

this Limited Warranty or visit <http://support.atmosfx.com/> and complete the “Contact Us” form. A representative will contact you and direct you through the warranty process.

Do not return products to AtmosFX without first contacting a support representative as this may void your warranty claim. Any products shipped back to AtmosFX will be at the expense of the customer. Cost of shipping for warranty replacements back to the customer will be paid for by AtmosFX.

Disclaimer: Limitation of Liability

TO THE EXTENT PERMISSIBLE BY APPLICABLE LAW, THIS LIMITED WARRANTY AND ANY IMPLIED WARRANTIES ARE YOUR EXCLUSIVE WARRANTIES AND REPLACE ALL OTHER WARRANTIES OR CONDITIONS, EXPRESS OR IMPLIED. SOME STATES OR JURISDICTIONS DO NOT ALLOW LIMITATIONS ON HOW LONG AN IMPLIED WARRANTY LASTS, THE EXCLUSION OF IMPLIED WARRANTIES, OR THE EXCLUSION OR LIMITATION OF INCIDENTAL OR CONSEQUENTIAL DAMAGES, SO THE ABOVE LIMITATIONS OR EXCLUSIONS MAY NOT APPLY TO YOU. YOU MAY ALSO HAVE OTHER RIGHTS THAT VARY FROM STATE TO STATE AND JURISDICTION TO JURISDICTION.

AtmosFX's Limited Warranty is governed by the laws of the State of Washington. **For more information about the Limited Warranty, visit www.AtmosFX.com.**

Warrantor:
AtmosFX Inc
Seattle, WA 98103
info@atmosfx.com