

Pearl Round Slider Rail Kits & T'Static Bar Valve



C.E Approval

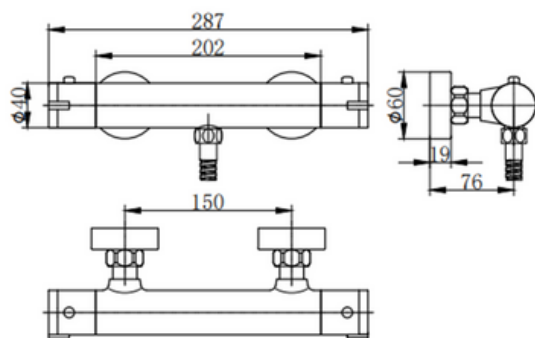
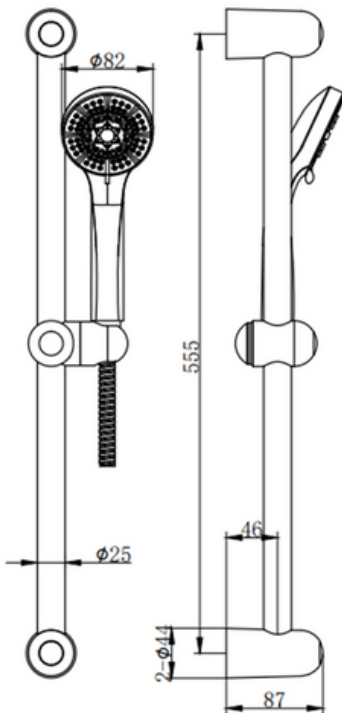


Domestic

Product Information

<b>Product Code</b>	HX059
<b>Material</b>	Brass
<b>Colour/Finish</b>	Chrome
<b>WRAS</b>	Approved
<b>Fixings</b>	Supplied

<b>0.5bar</b>	7.6 L/min
<b>1bar</b>	11.7 L/min
<b>2bar</b>	16.3 L/min
<b>3bar</b>	20.5 L/min
<b>4bar</b>	23.5 L/min
<b>5bar</b>	26.5 L/min



All measurements shown are in millimetres. Drawing sizes are not to scale. Measurement accuracy  $\pm 5\text{mm}$ . Halo Tiles & Bathrooms reserves the right to make changes and/or modifications to products and specifications without prior notice