

Eden Freestanding Bath 1700mm x 700mm



C.E Approval



Domestic

Product Information



Product Code

INV105

Material

Acrylic

Colour

White

Approvals

C.E Approved

Standards

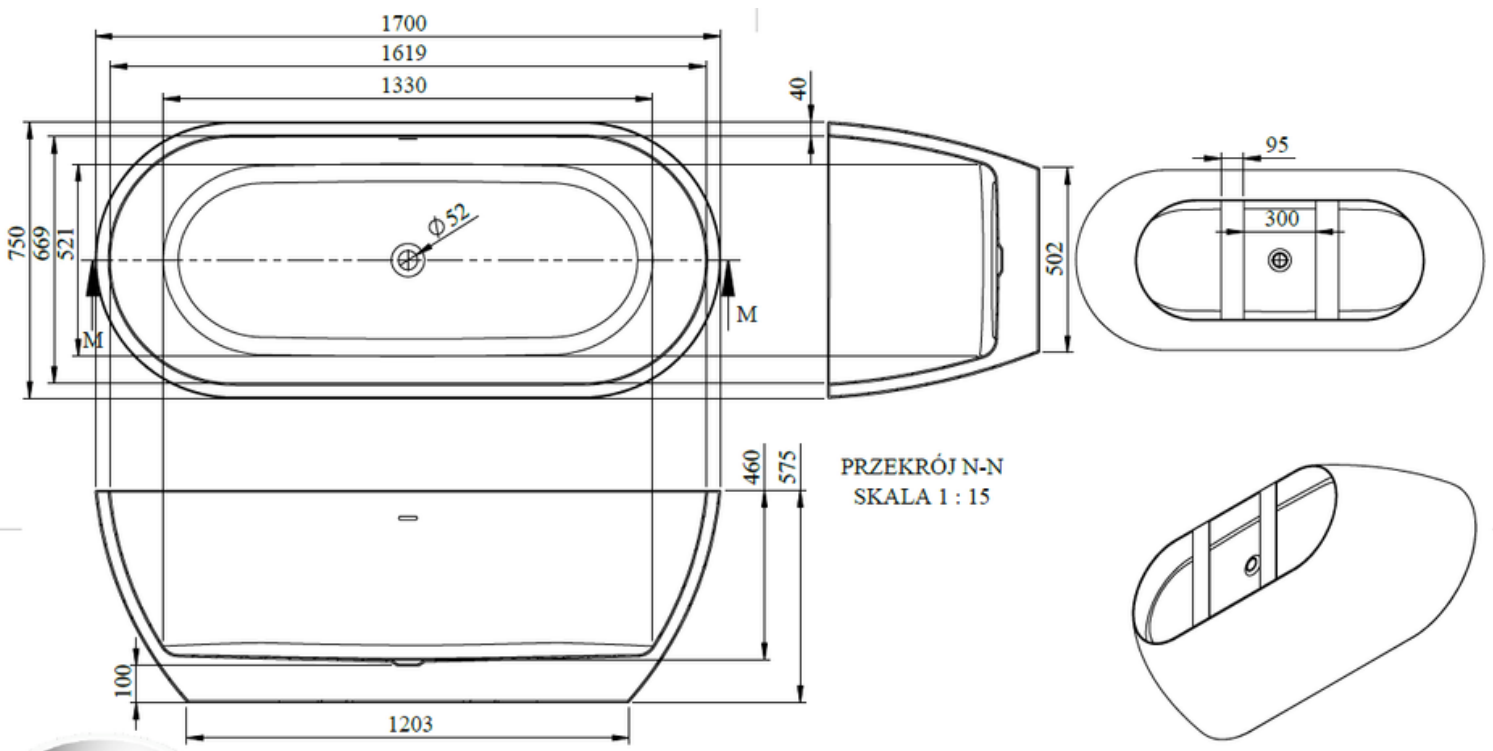
EN 14516

Fixings

Supporting leg set provided

Dimensions

See Drawing Below



All measurements shown are in millimetres. Drawing sizes are not to scale. Measurement accuracy ± 5 mm. Halo Tiles & Bathrooms reserves the right to make changes and/or modifications to products and specifications without prior notice