

# FLORENCE ENTERTAINMENT UNIT

**ISOKING** at  
home

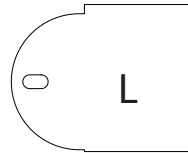
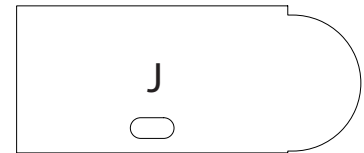
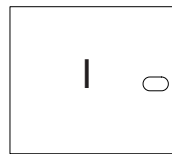
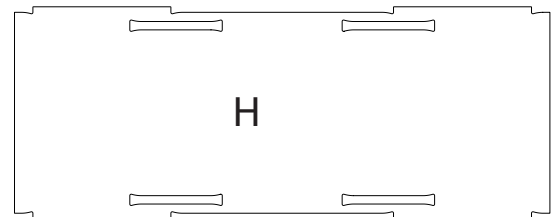
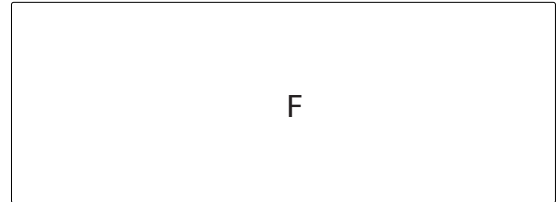
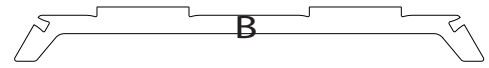
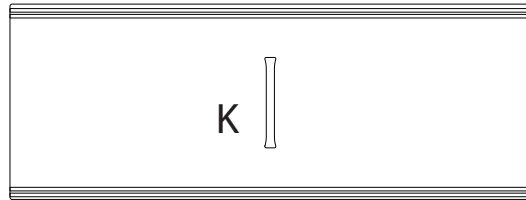
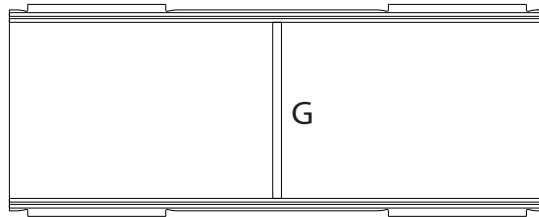
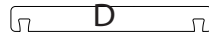
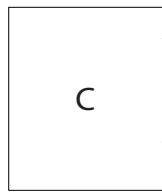
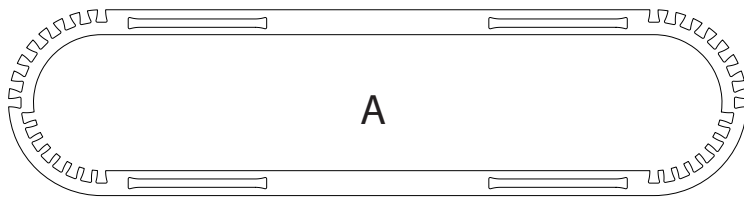


UPLOAD AND TAG US IN YOUR OWN ISOKING PRODUCTS!



ISOKING.COM.AU

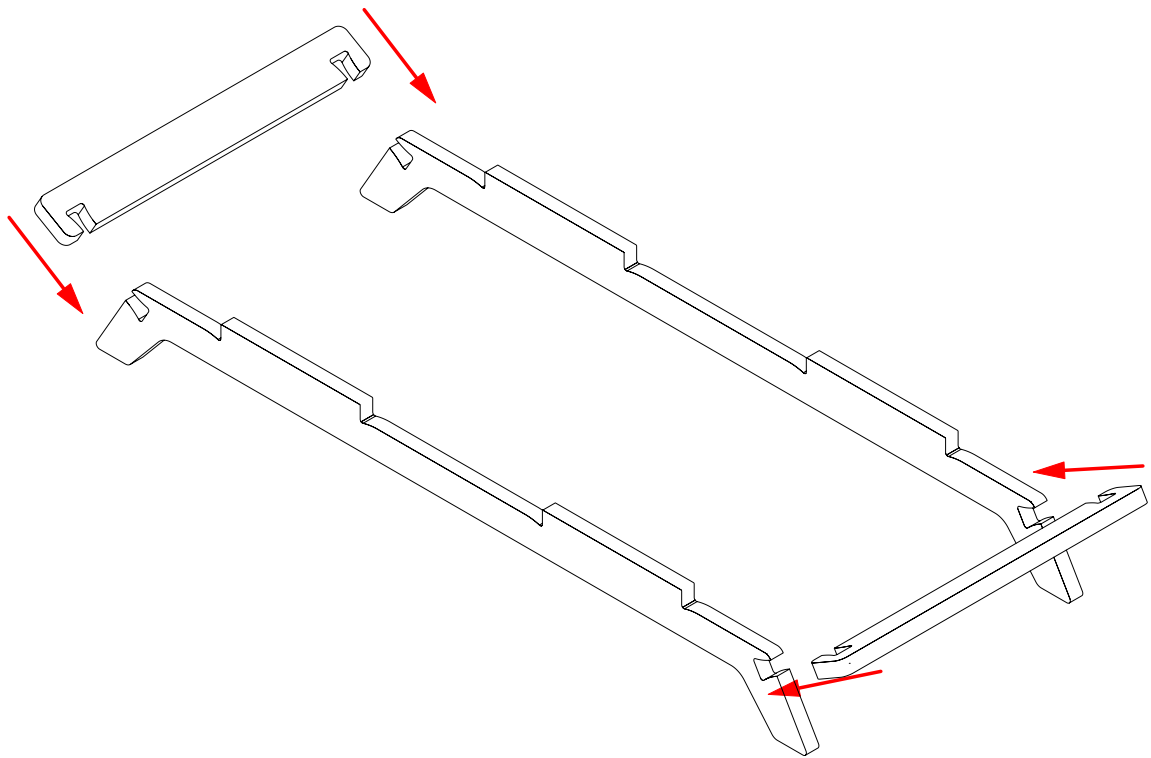
# ENTERTAINMENT UNIT KEY



- A = x 2
- B = x 2
- C = x 1
- D = x 2
- E = x 32
- F = x 1
- G = x 1
- H = x 1
- I = x 1
- J = x 1
- K = x 1
- L = x 1
- M = x 1

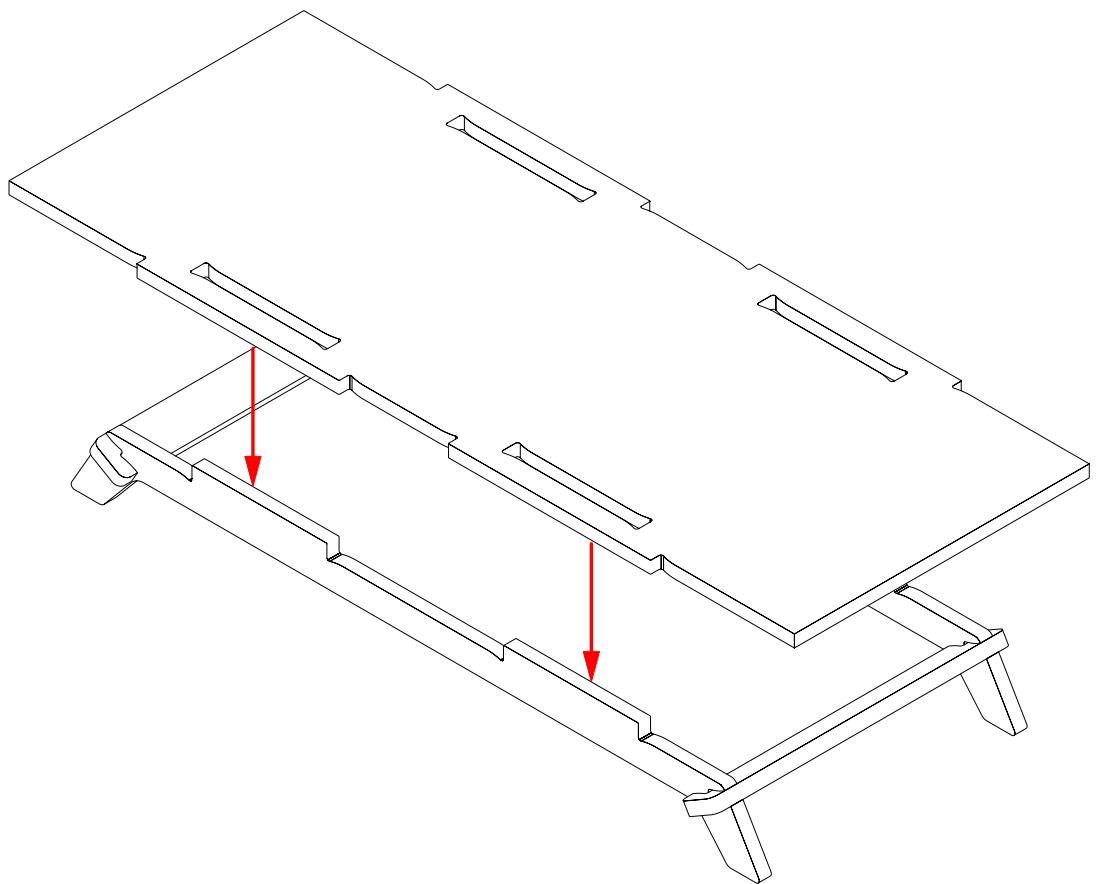
# ENTERTAINMENT UNIT ASSEMBLY INSTRUCTIONS

1 OF 11



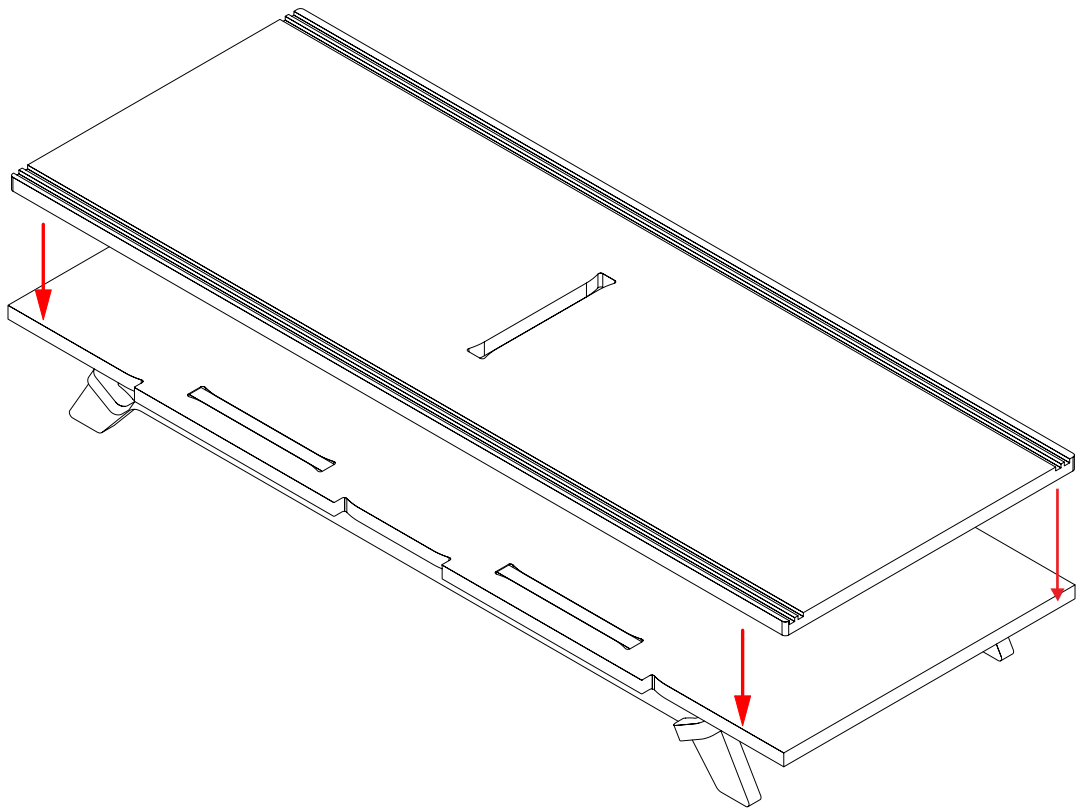
# ENTERTAINMENT UNIT ASSEMBLY INSTRUCTIONS

2 OF 11



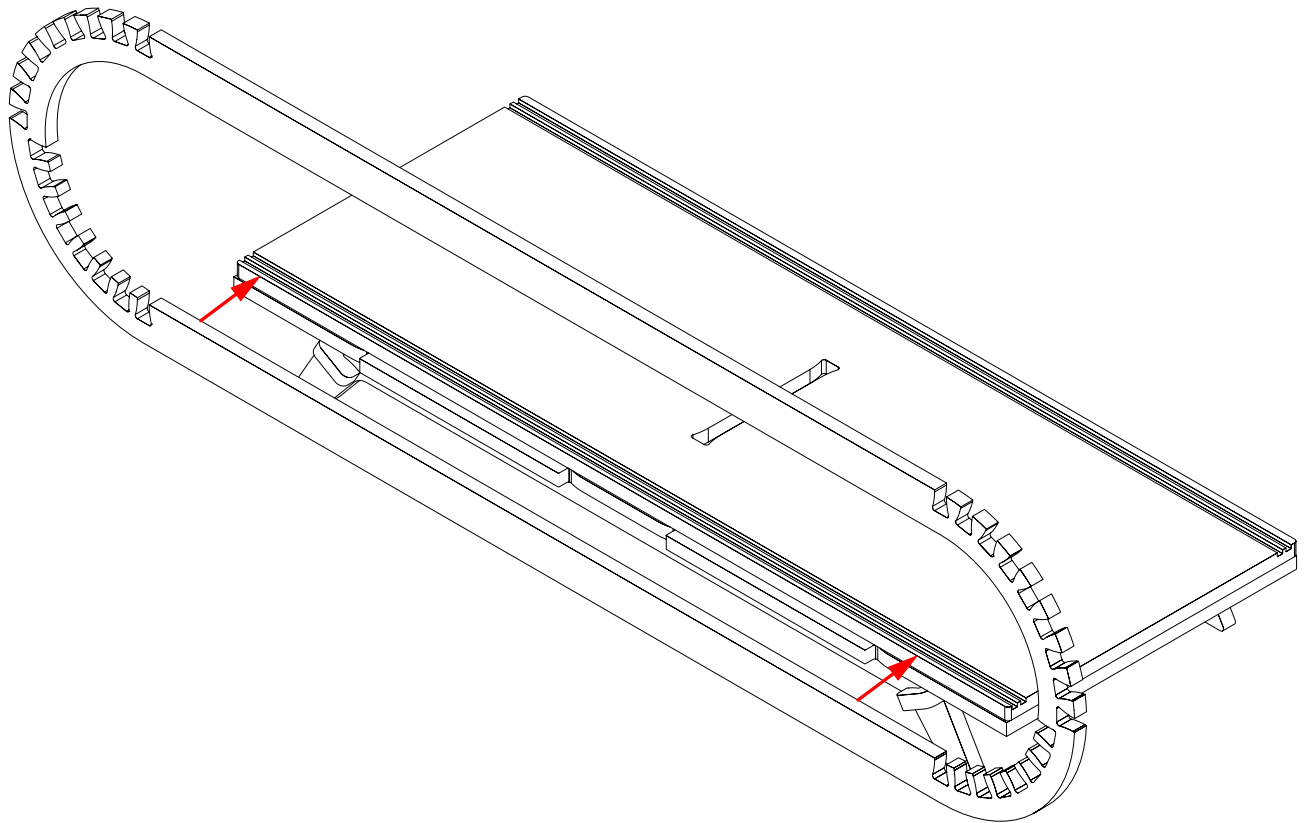
# ENTERTAINMENT UNIT ASSEMBLY INSTRUCTIONS

3 OF 11



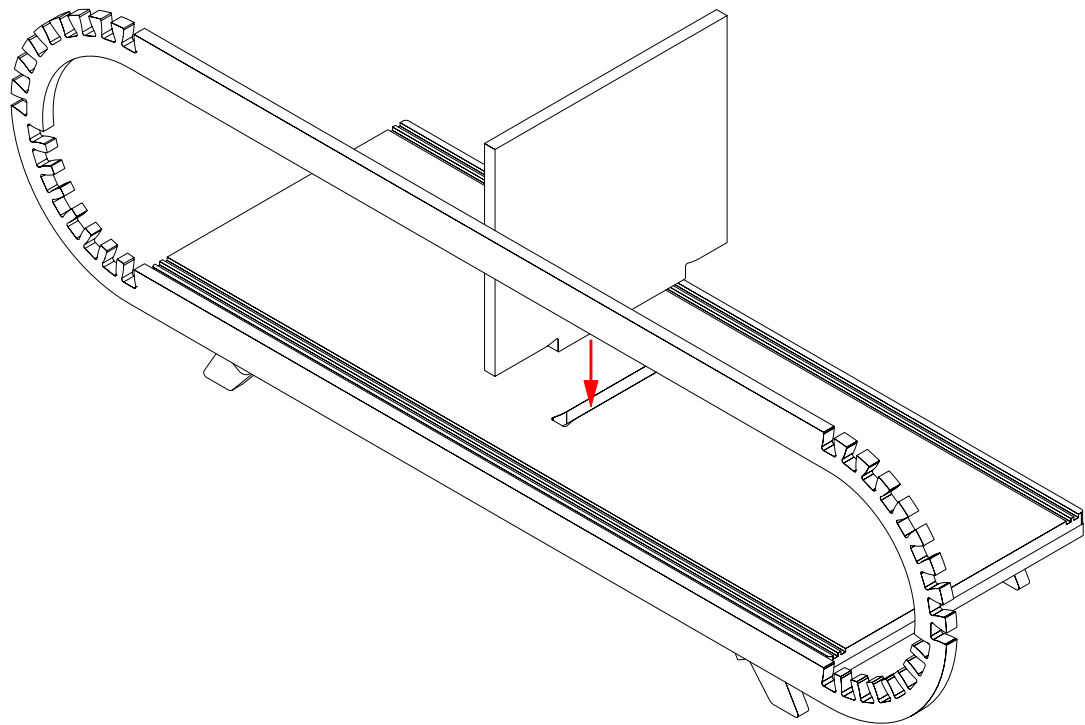
# ENTERTAINMENT UNIT ASSEMBLY INSTRUCTIONS

4 OF 11



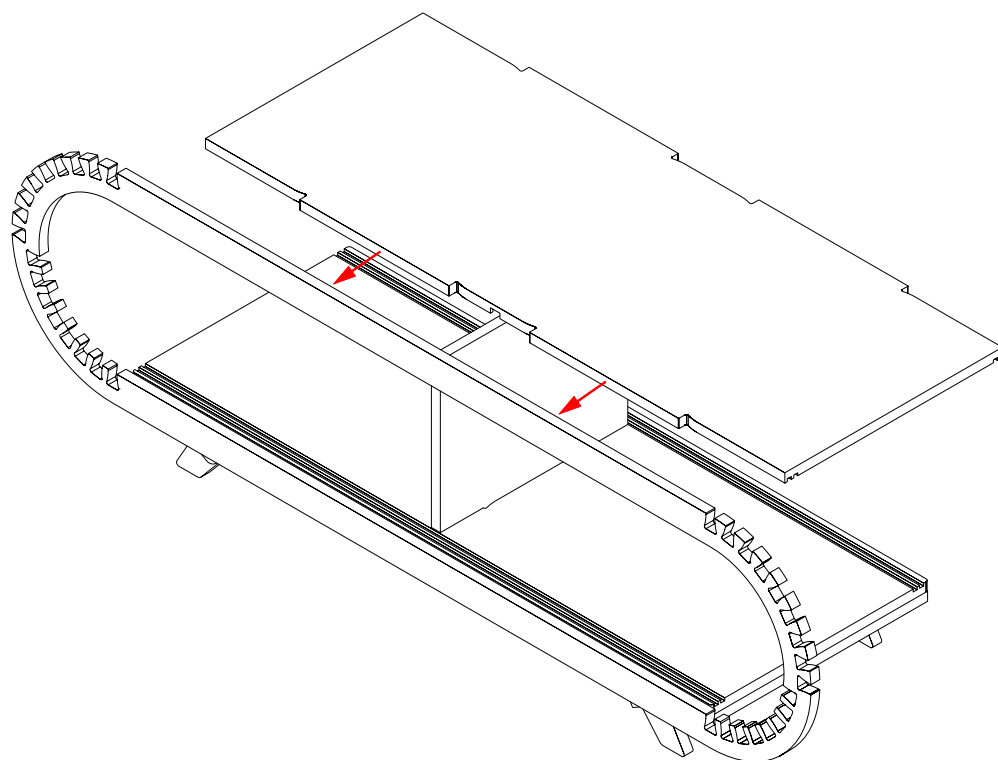
# ENTERTAINMENT UNIT ASSEMBLY INSTRUCTIONS

5 OF 11



# ENTERTAINMENT UNIT ASSEMBLY INSTRUCTIONS

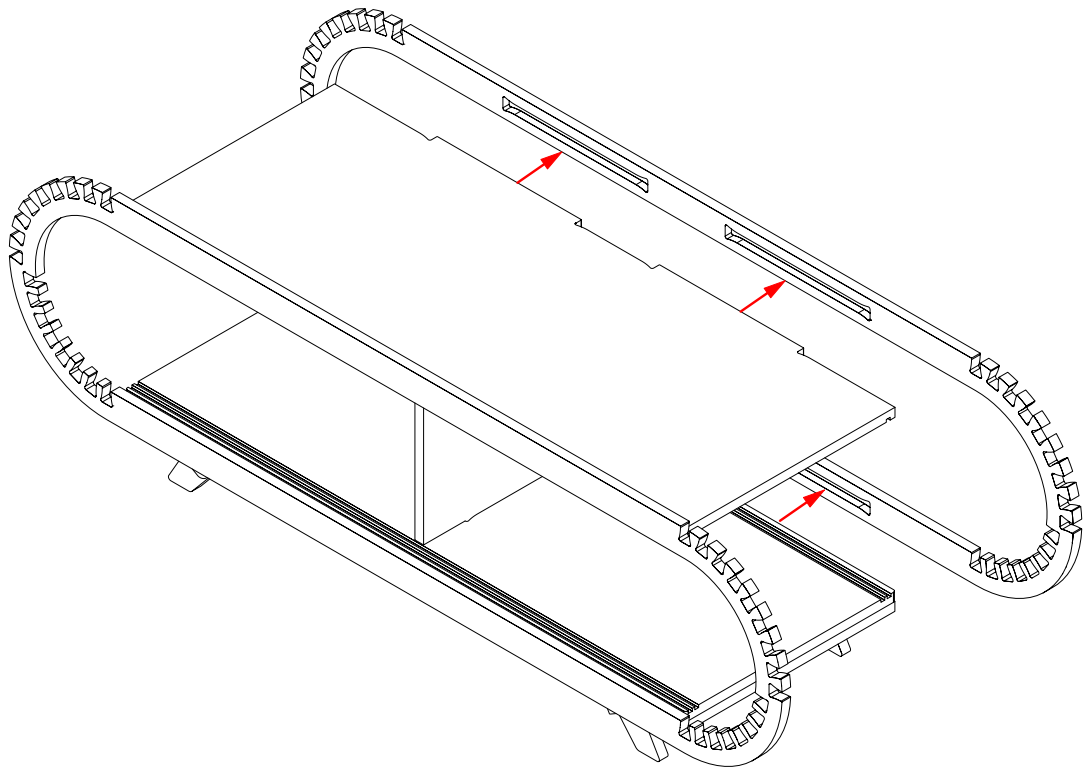
6 OF 11





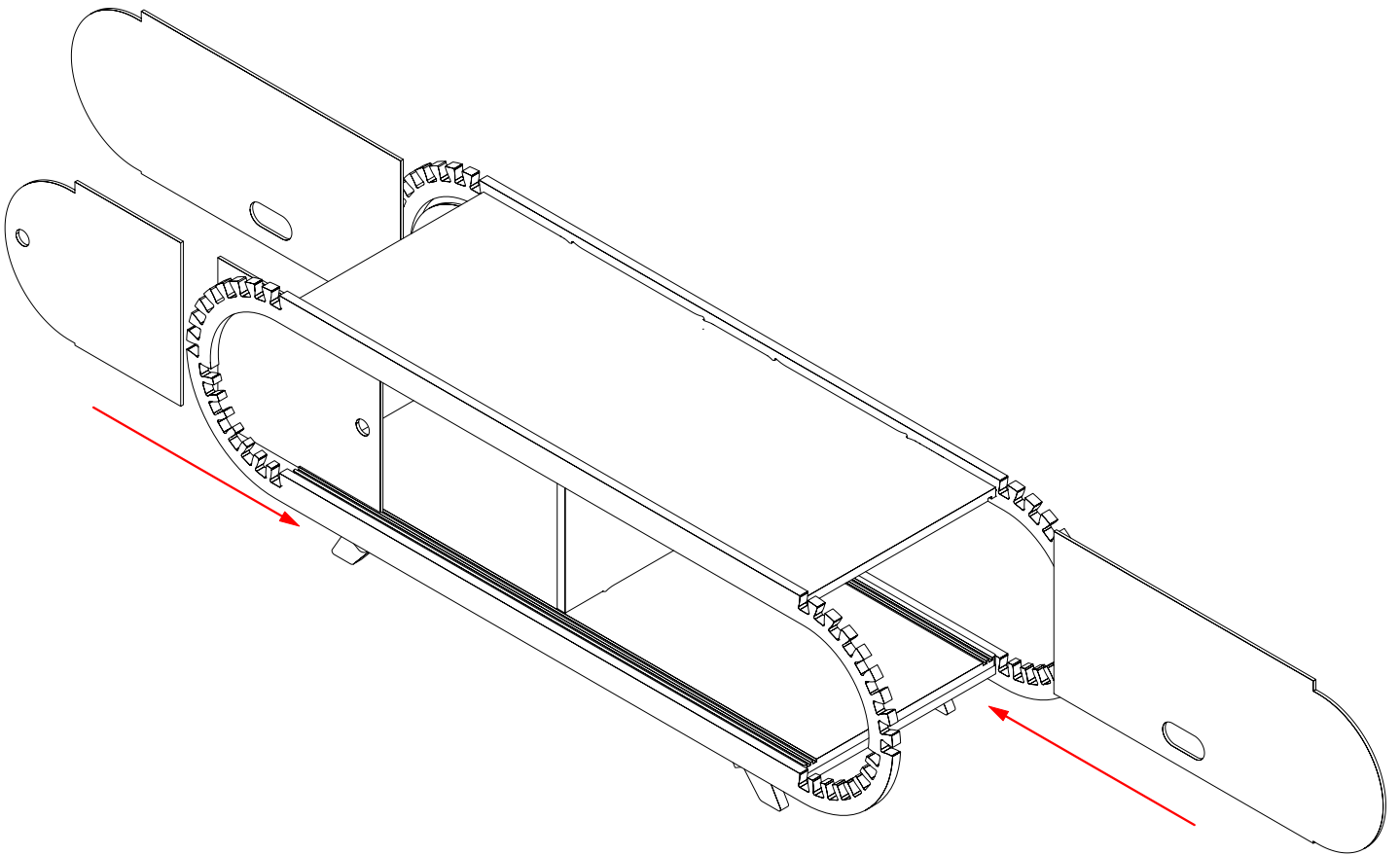
# ENTERTAINMENT UNIT ASSEMBLY INSTRUCTIONS

7 OF 11



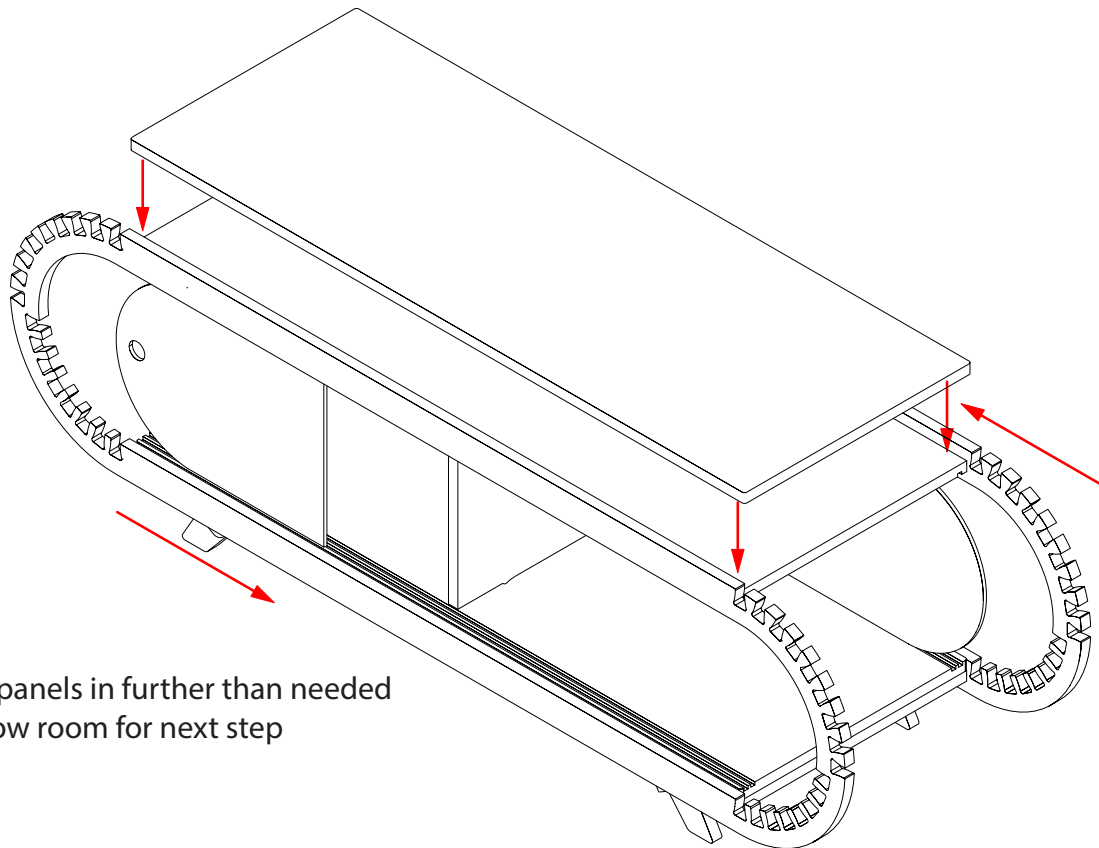
# ENTERTAINMENT UNIT ASSEMBLY INSTRUCTIONS

8 OF 11



# ENTERTAINMENT UNIT ASSEMBLY INSTRUCTIONS

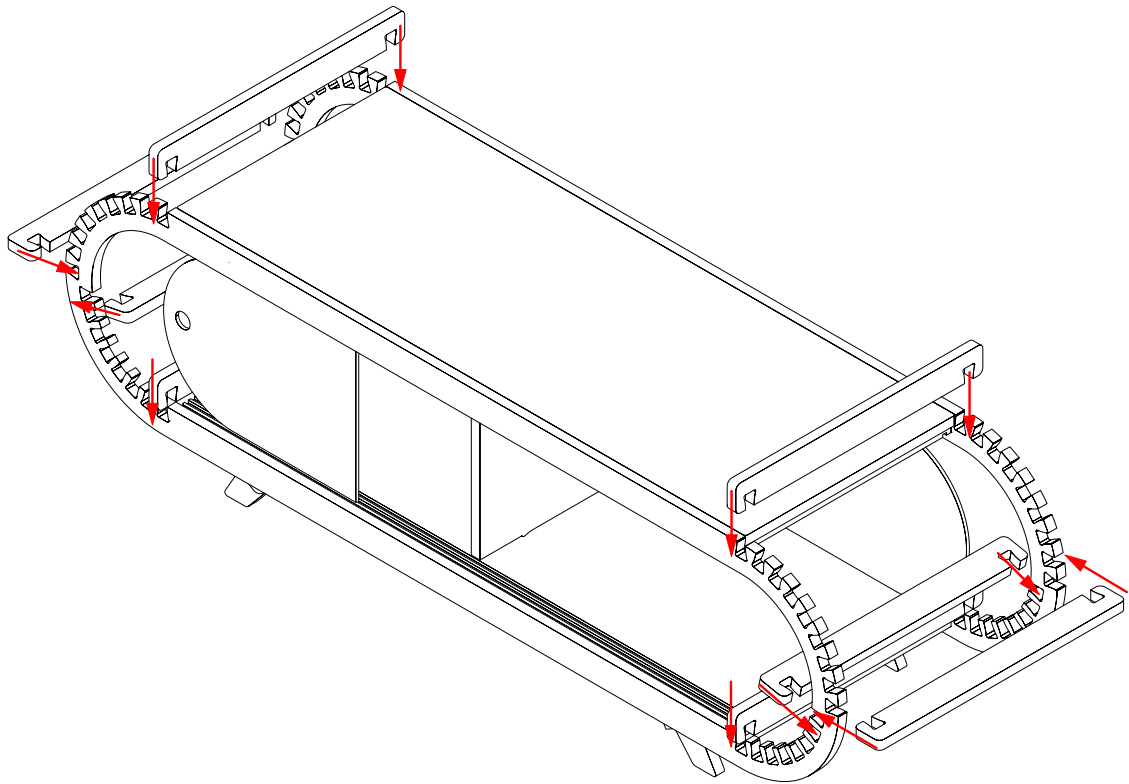
9 OF 11



Push panels in further than needed  
to allow room for next step

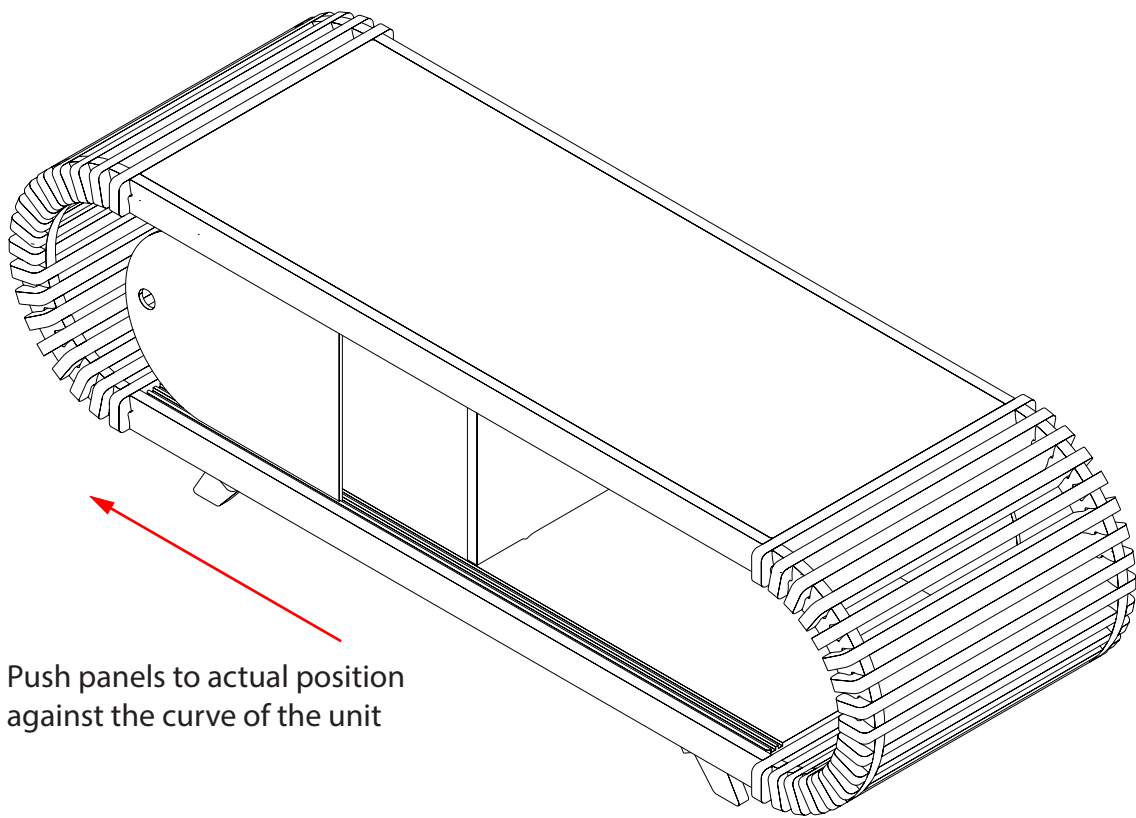
# ENTERTAINMENT UNIT ASSEMBLY INSTRUCTIONS

10 OF 11



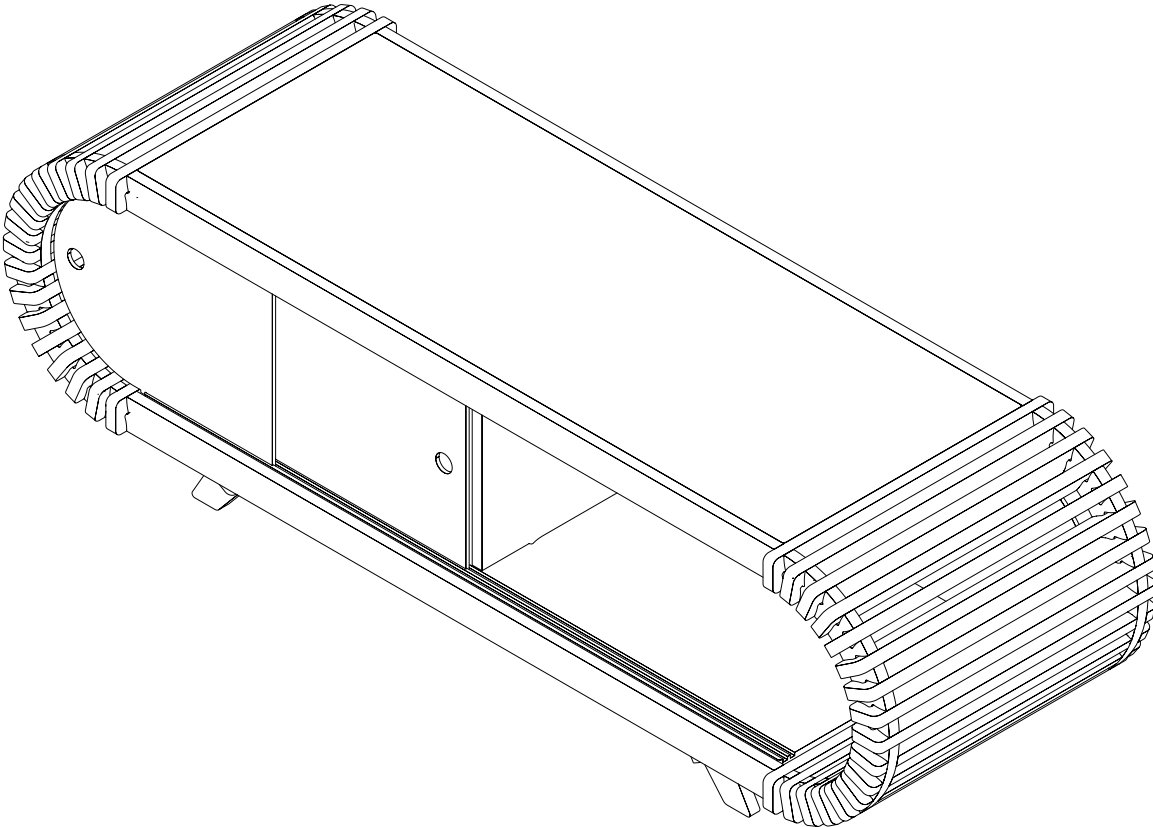
# ENTERTAINMENT UNIT ASSEMBLY INSTRUCTIONS

11 OF 11



Push panels to actual position  
against the curve of the unit

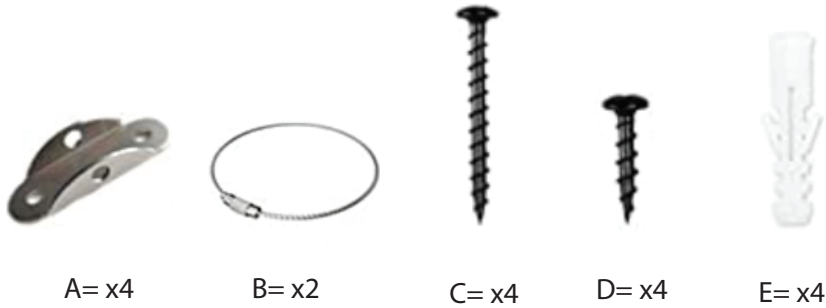
ENTERTAINMENT UNIT



# Wall Fixing your Product

## KEY

**Warning:** Serious or fatal crushing injuries can occur from furniture tip over. To prevent this item from tipping over it must be permanently fixed to the wall. Plaster wall fixings are included with this item, other wall materials require different wall fixing devices, use fixings suitable for the walls in your home. We recommend installing 2 sets per piece of furniture for keeping the furniture in place. See next page for instructions on installing these wall fixings.



## Assembly Instructions

Note. Ensure fastening wall fixings to the top rear corners of your product

Consult a professional if you are not confident with installing fixing yourself.



1. Mark the screw holes with a pen or pencil



2. Drill holes into wall



3. Use a hammer to insert expansion holes



4. Attach the mount to the wall with long screws



5. Attach mount to your Isoking product with screws



6. Pass the cable through both mount holes and fasten the connector

