

# TURNTABLE STAND

**ISOKING** at home

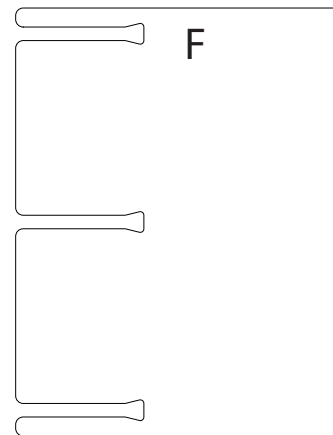
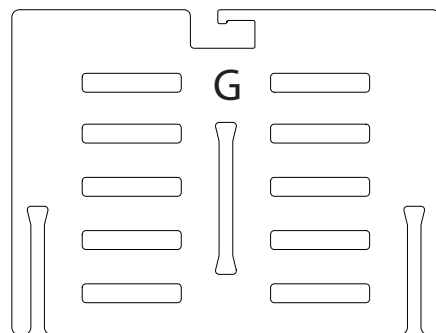
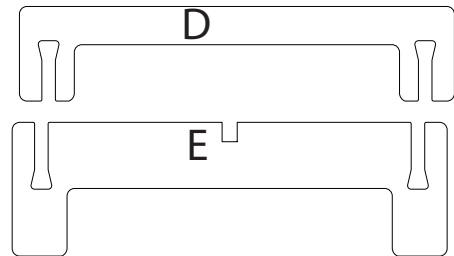
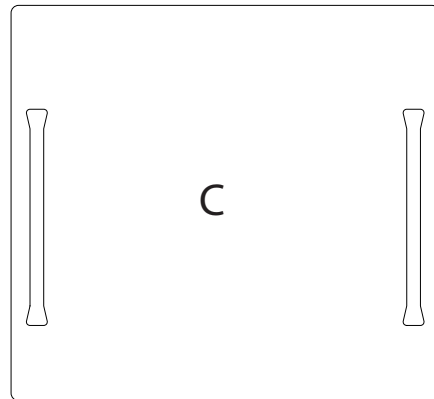
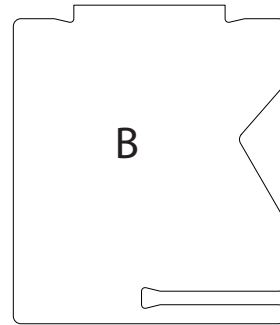
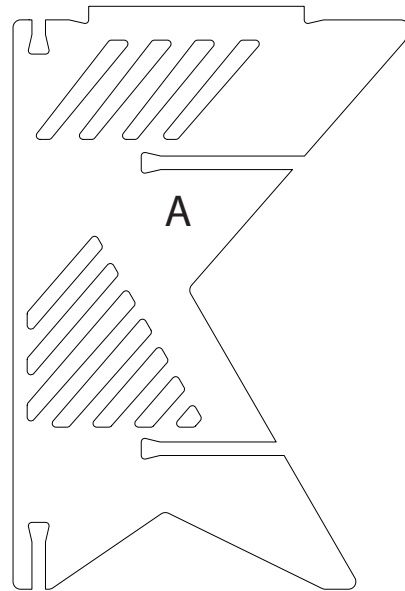


UPLOAD AND TAG US IN YOUR OWN ISOKING PRODUCTS!



ISOKING.COM.AU

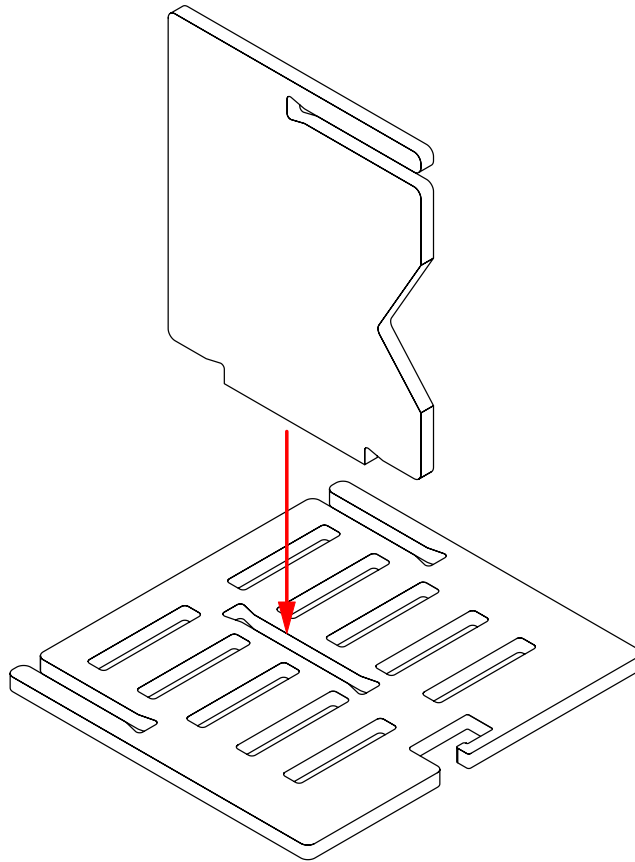
# TURNTABLE STAND KEY



- A= x 2
- B= x 1
- C= x 1
- D= x 1
- E= x 1
- F= x 1
- G= x 1

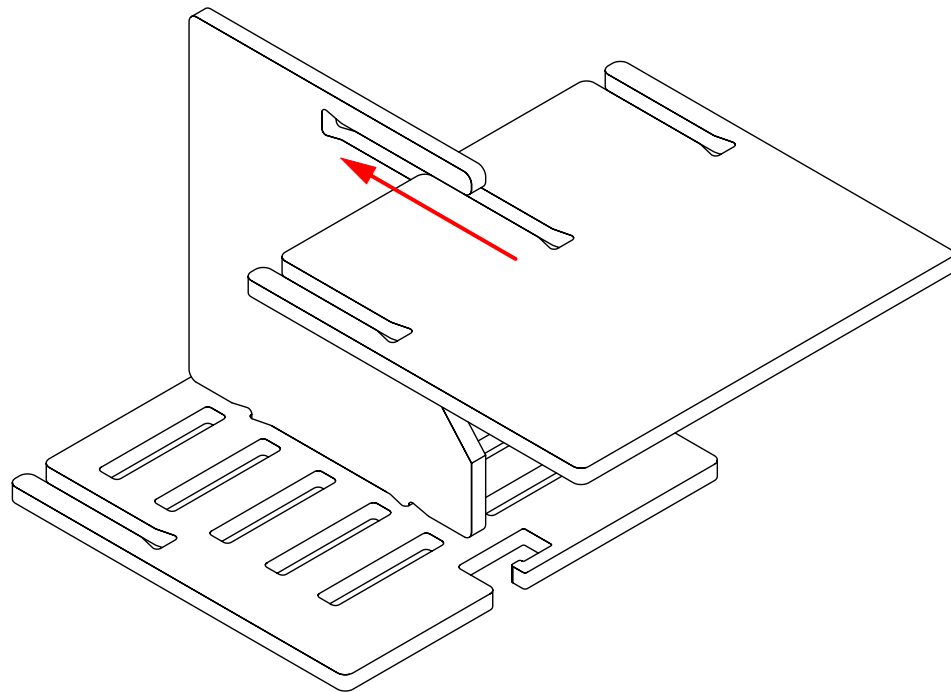
# TURNTABLE STAND ASSEMBLY INSTRUCTIONS

1 OF 6



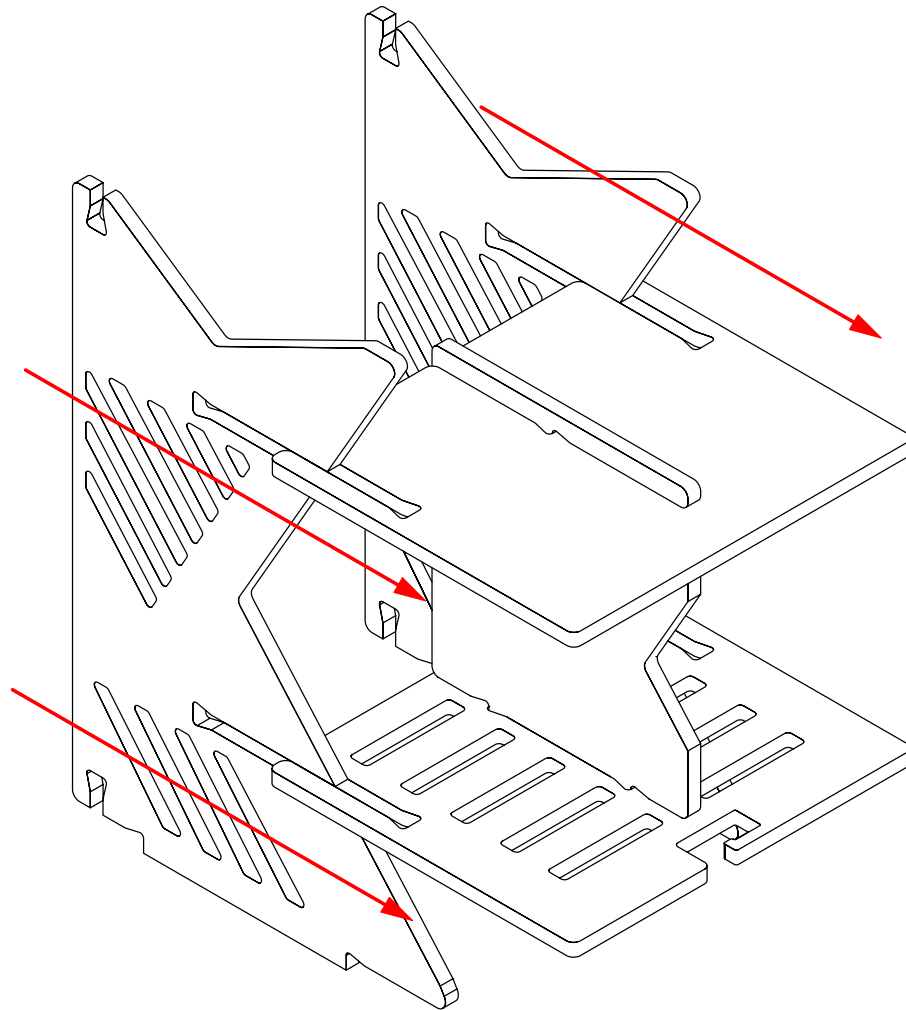
# TURNTABLE STAND ASSEMBLY INSTRUCTIONS

2 OF 6



# TURNTABLE STAND ASSEMBLY INSTRUCTIONS

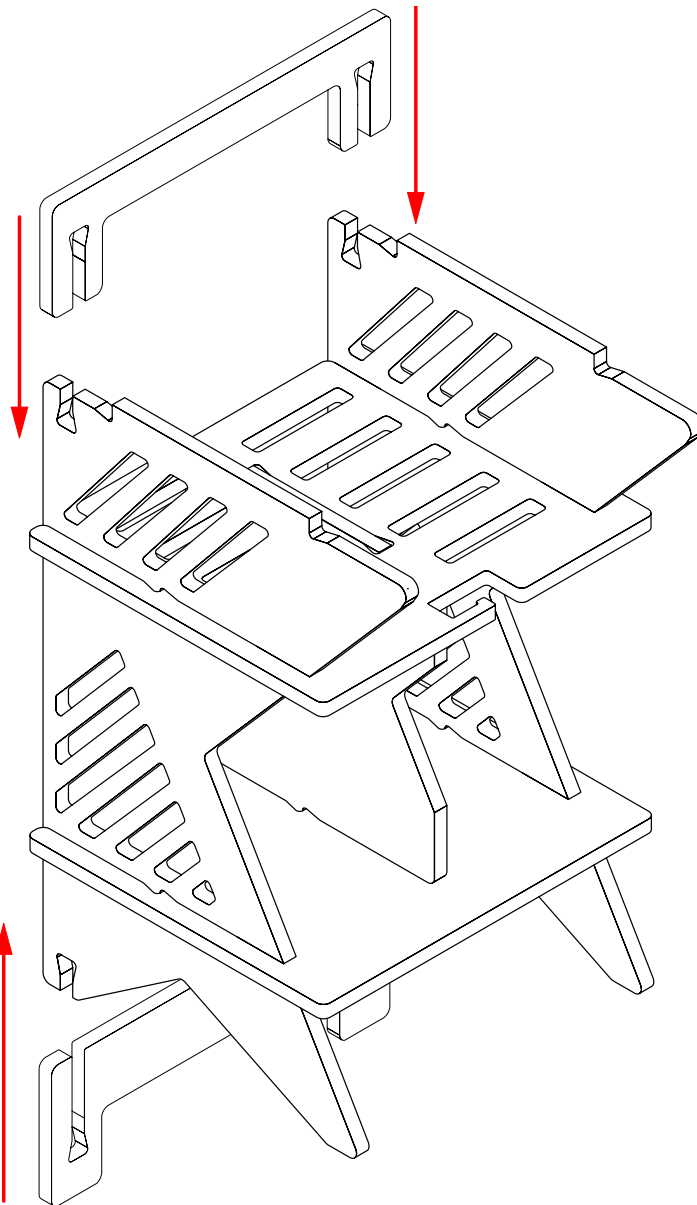
3 OF 6



NOTE. rotate unit right way up after this step

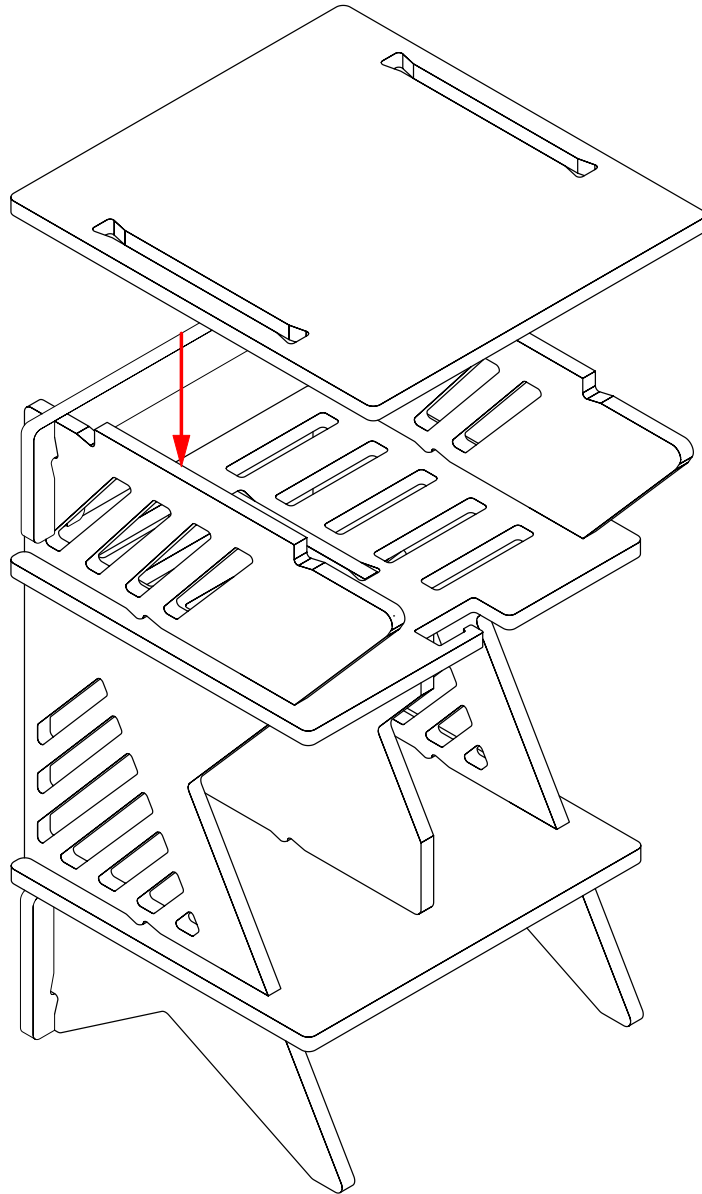
# TURNTABLE STAND ASSEMBLY INSTRUCTIONS

4 OF 6



# TURNTABLE STAND ASSEMBLY INSTRUCTIONS

5 OF 6



# TURNTABLE STAND ASSEMBLY INSTRUCTIONS

6 OF 6

