



STANDING STUDIO DESK

ISOKING 

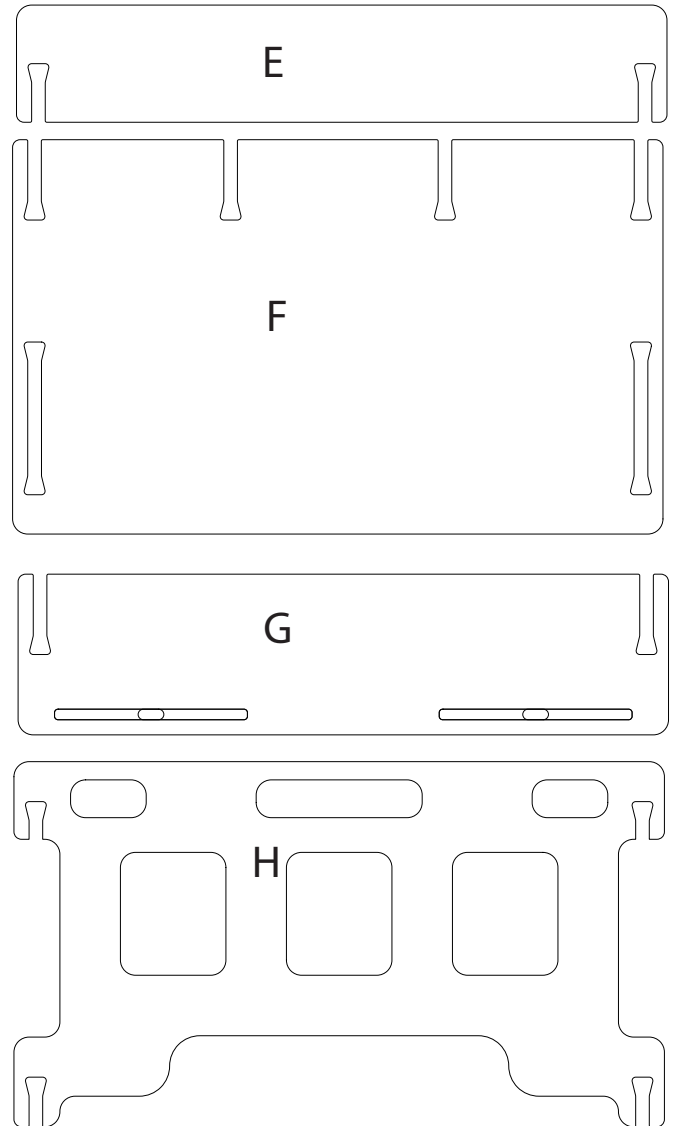
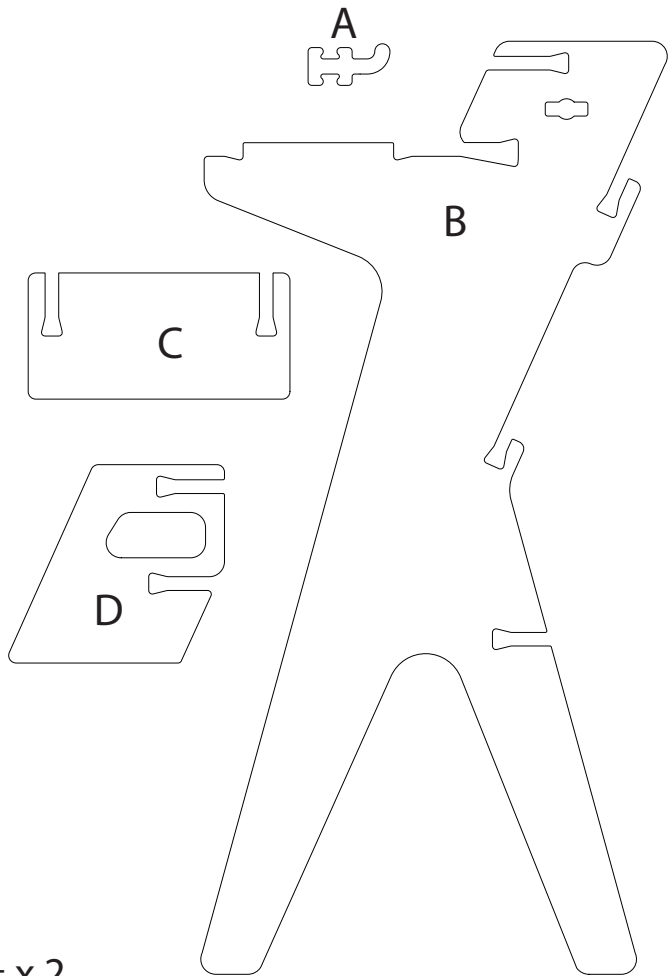


UPLOAD AND TAG US IN YOUR OWN ISOKING PRODUCTS!



ISOKING.COM.AU

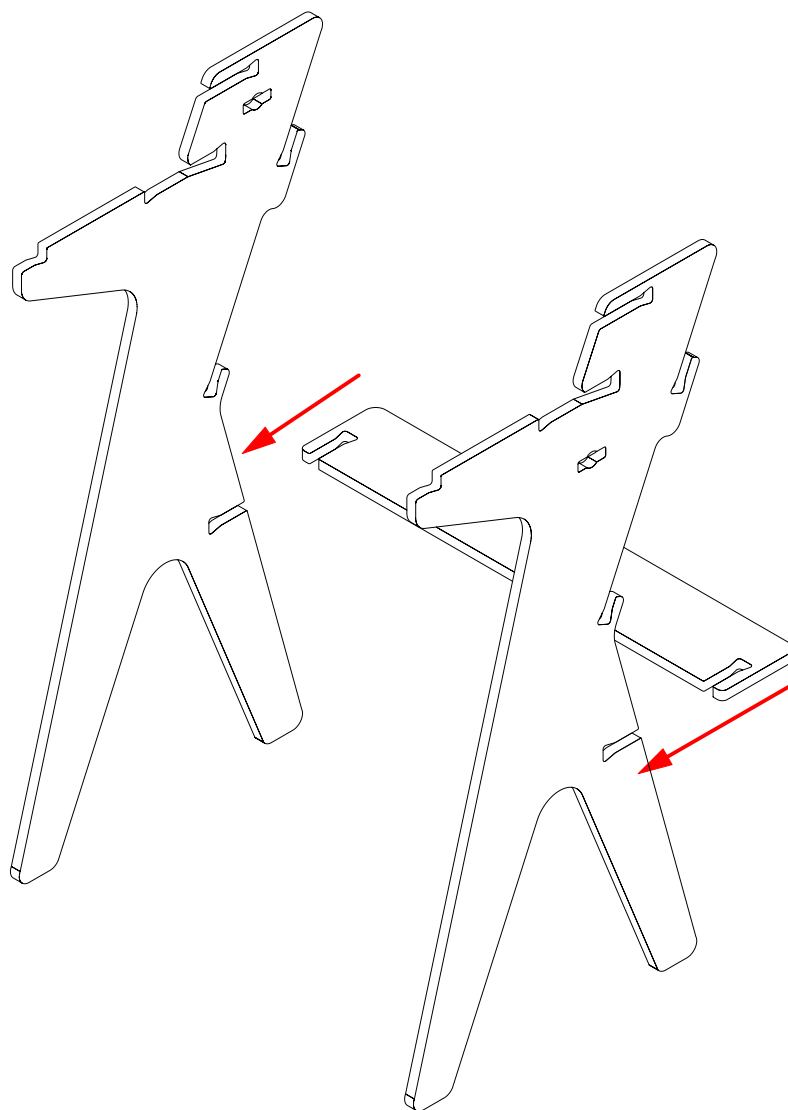
STANDING STUDIO DESK KEY



- A = x 2
- B = x 2
- C = x 1
- D = x 2
- E = x 1
- F = x 1
- G = x 1
- H = x 1

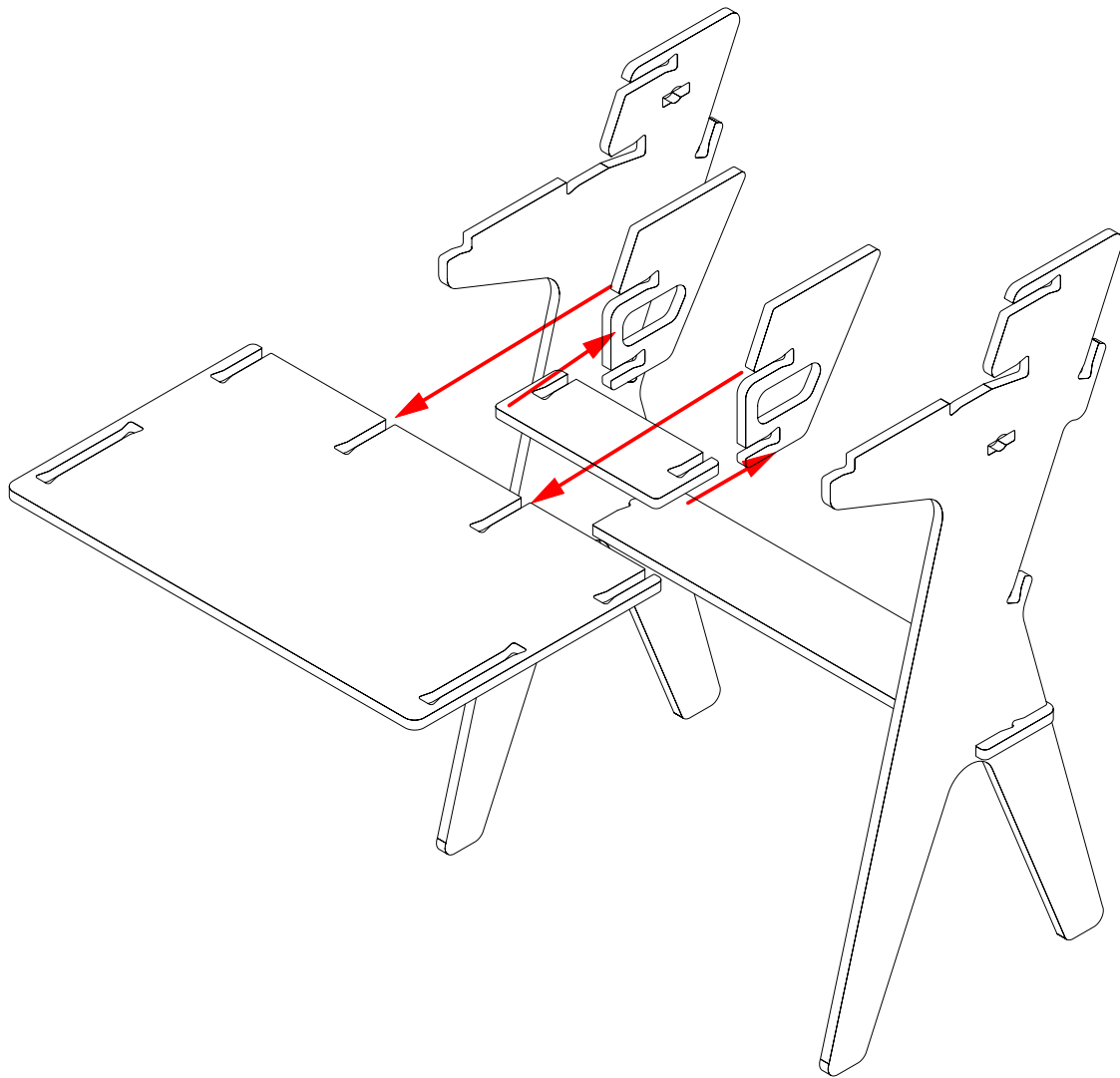
STANDING STUDIO DESK ASSEMBLY INSTRUCTIONS

1 OF 6



STANDING STUDIO DESK ASSEMBLY INSTRUCTIONS

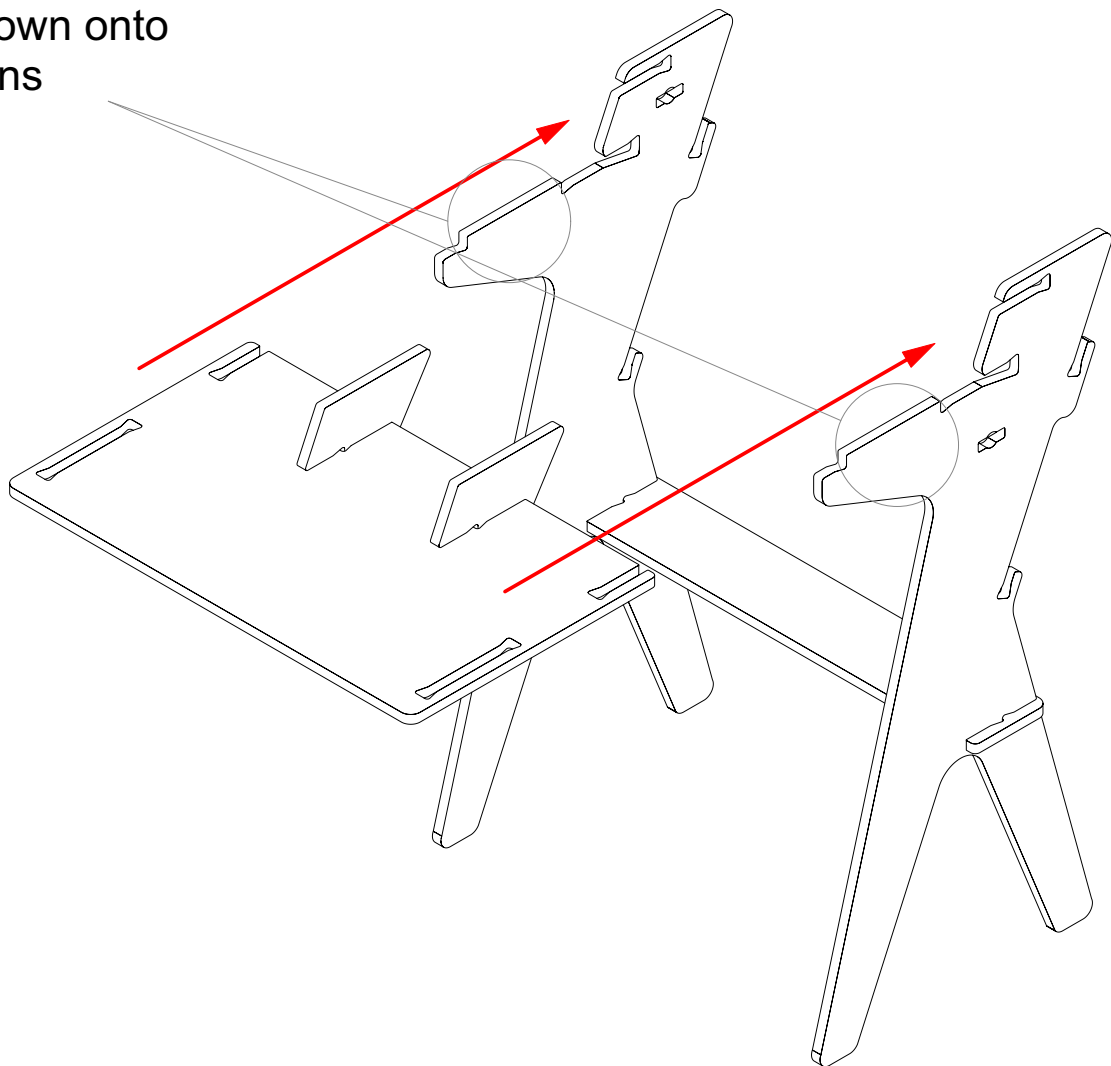
2 OF 6



STANDING STUDIO DESK ASSEMBLY INSTRUCTIONS

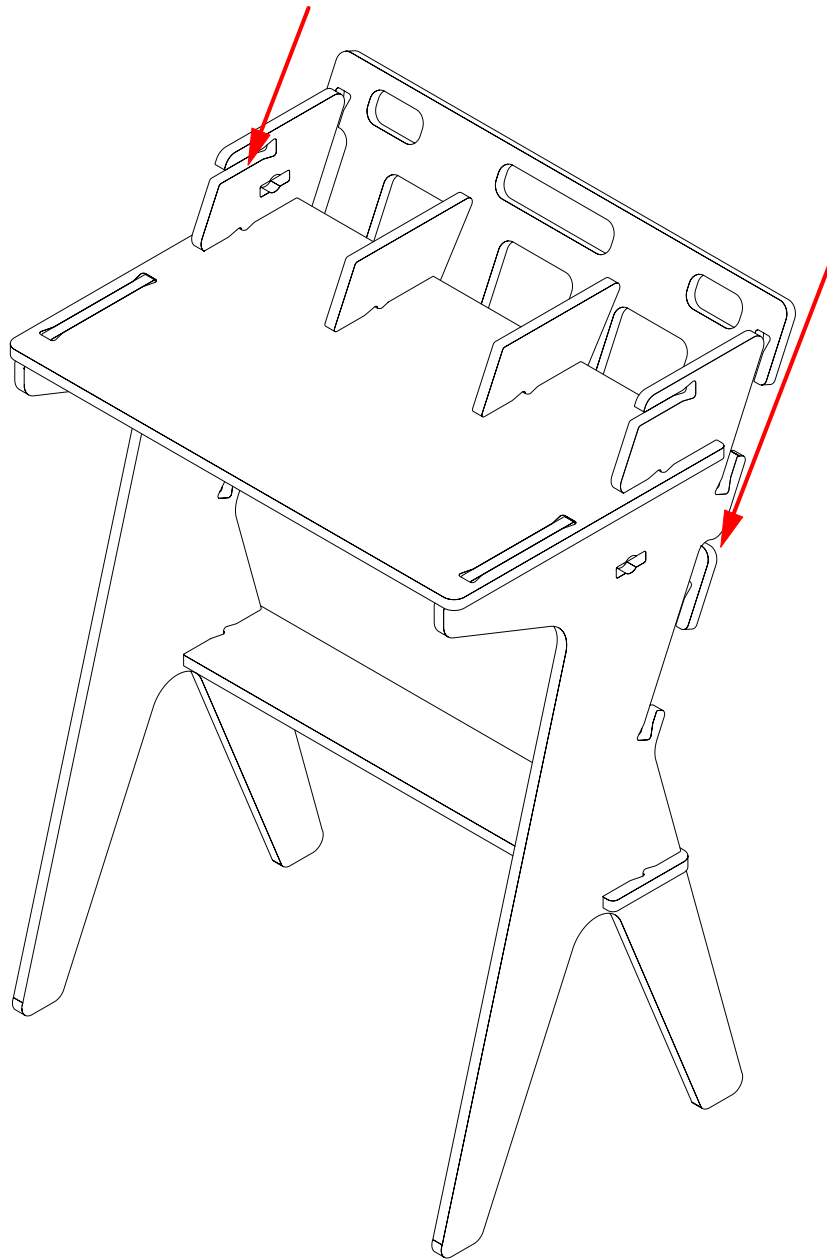
3 OF 6

note. Ensure table top slots in
and down onto
leg joins



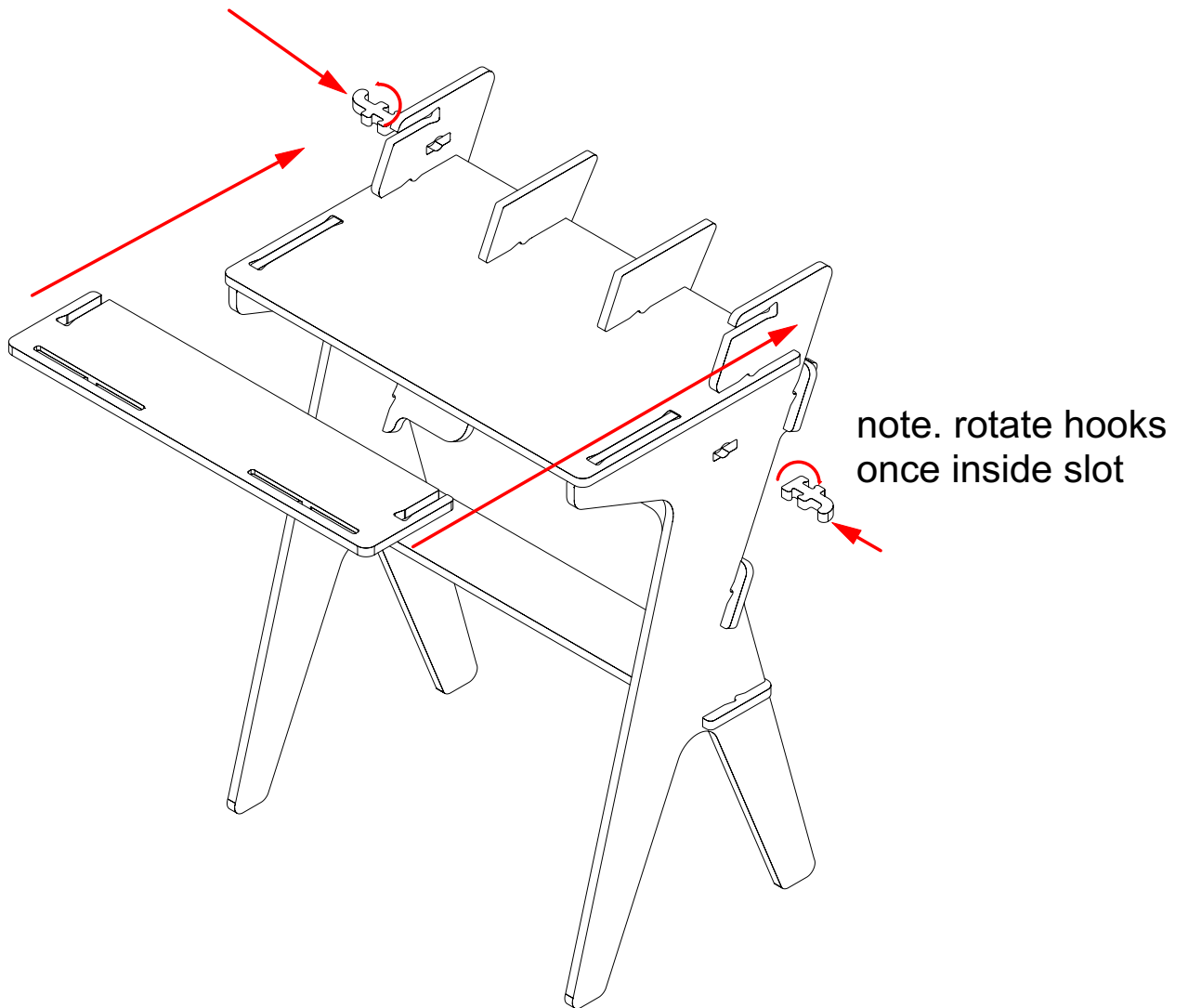
STANDING STUDIO DESK ASSEMBLY INSTRUCTIONS

4 OF 6



STANDING STUDIO DESK ASSEMBLY INSTRUCTIONS

5 OF 6



STANDING STUDIO DESK ASSEMBLY INSTRUCTIONS

6 OF 6

