

# FLORENCE QUEEN BED

**ISOKING** at home

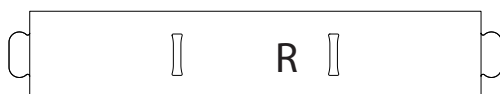
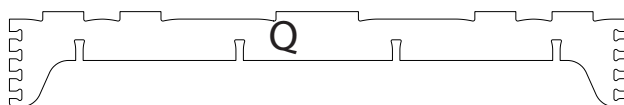
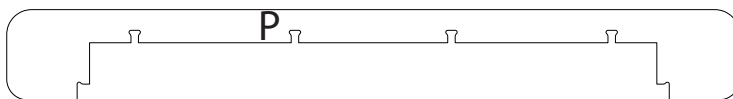
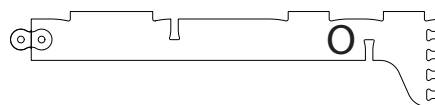
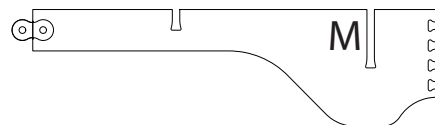
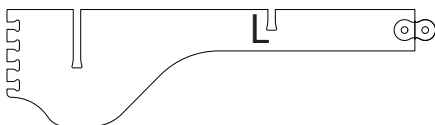
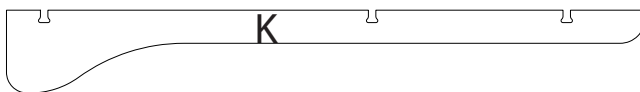
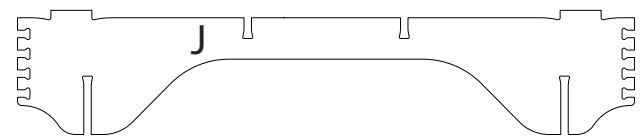
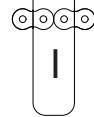
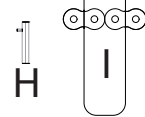
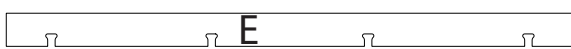
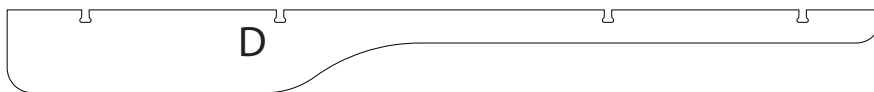
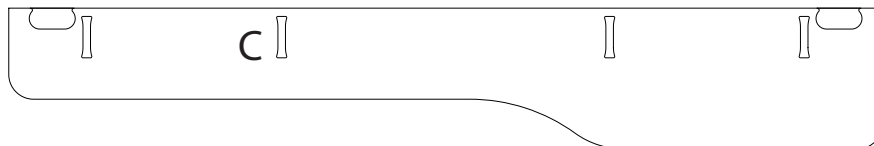
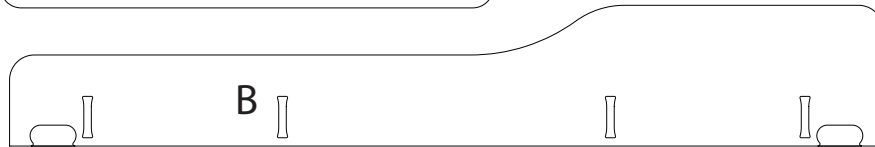
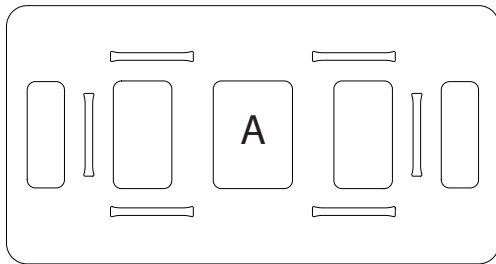


UPLOAD AND TAG US IN YOUR OWN ISOKING PRODUCTS!



ISOKING.COM.AU

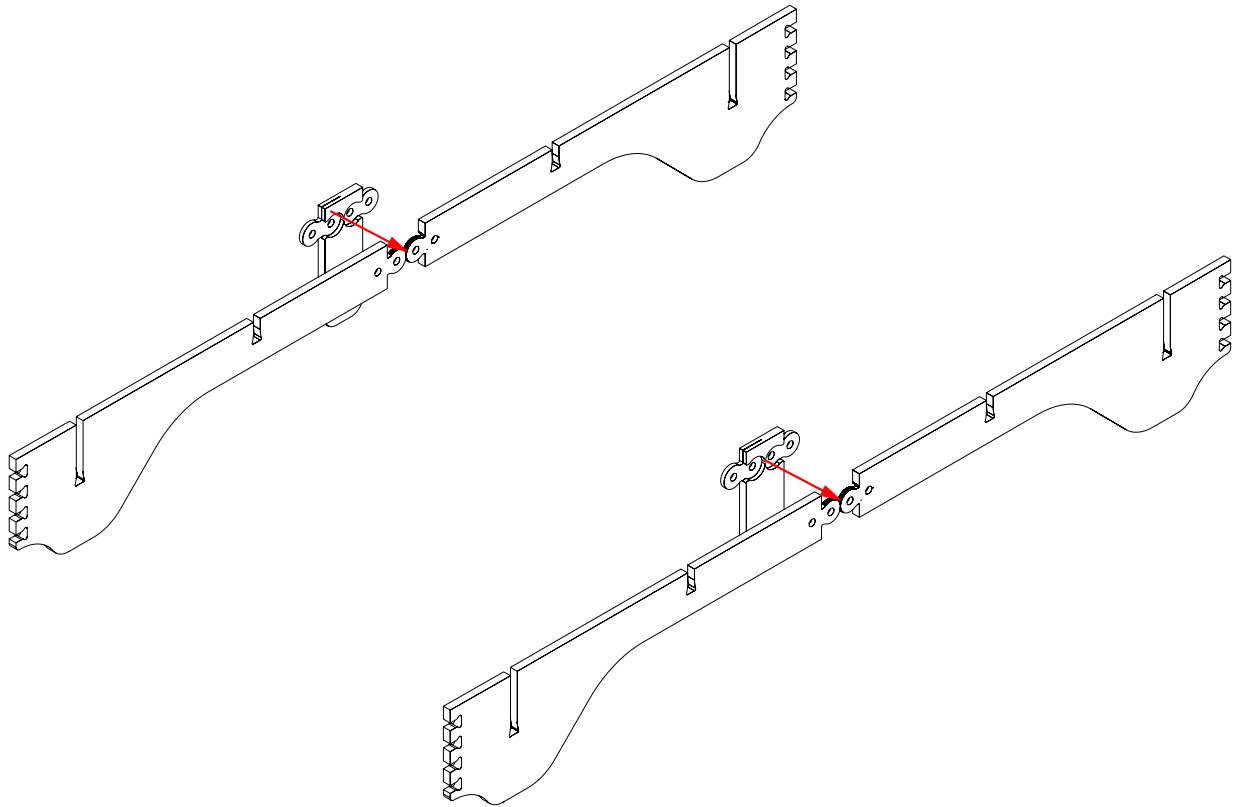
# QUEEN BED KEY



- A= x 1
- B= x 1
- C= x 1
- D= x 4
- E= x 6
- F= x 2
- G= x 2
- H= x 16
- I= x 4
- J= x 2
- K= x 8
- L= x 2
- M= x 2
- N= x 2
- O= x 2
- P= x 2
- Q= x 2
- R= x 2

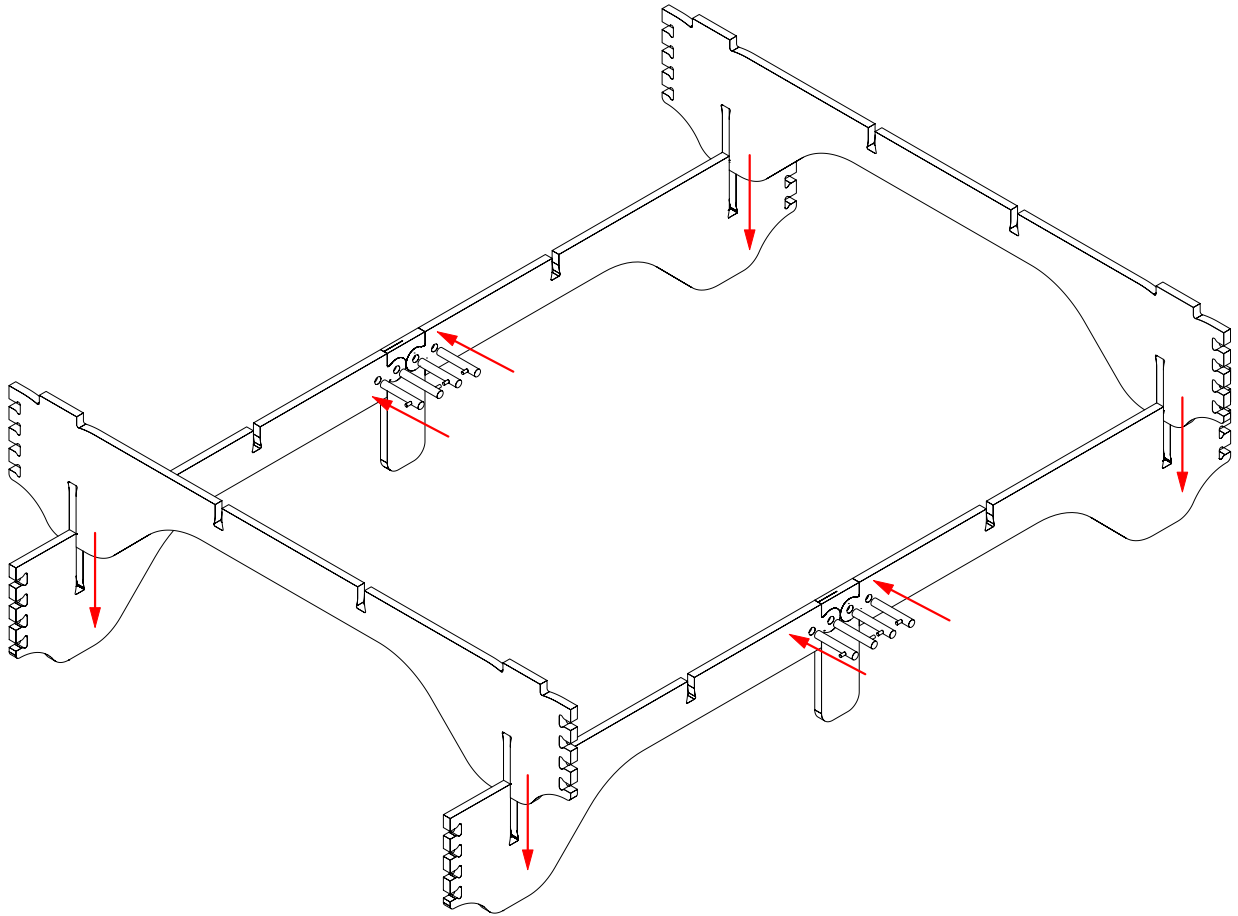
# KING SINLE BED ASSEMBLY INSTRUCTIONS

1 OF 3



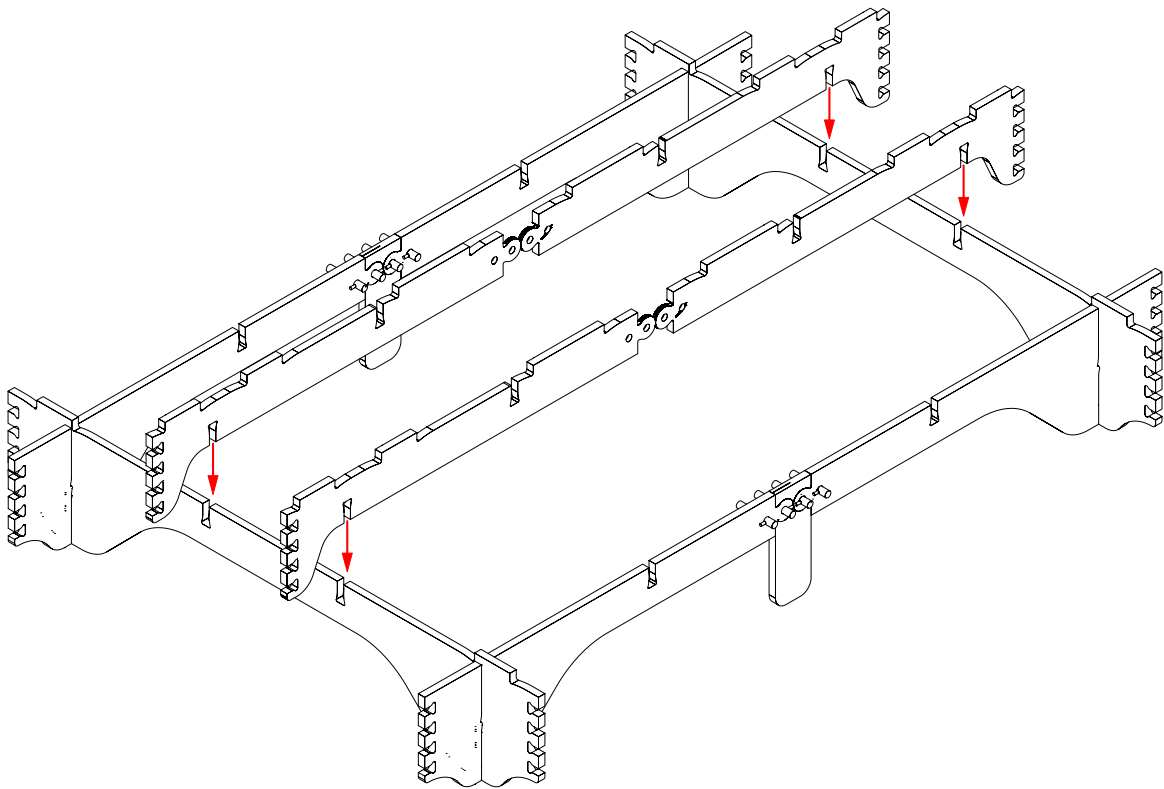
# KING SINGLE BED ASSEMBLY INSTRUCTIONS

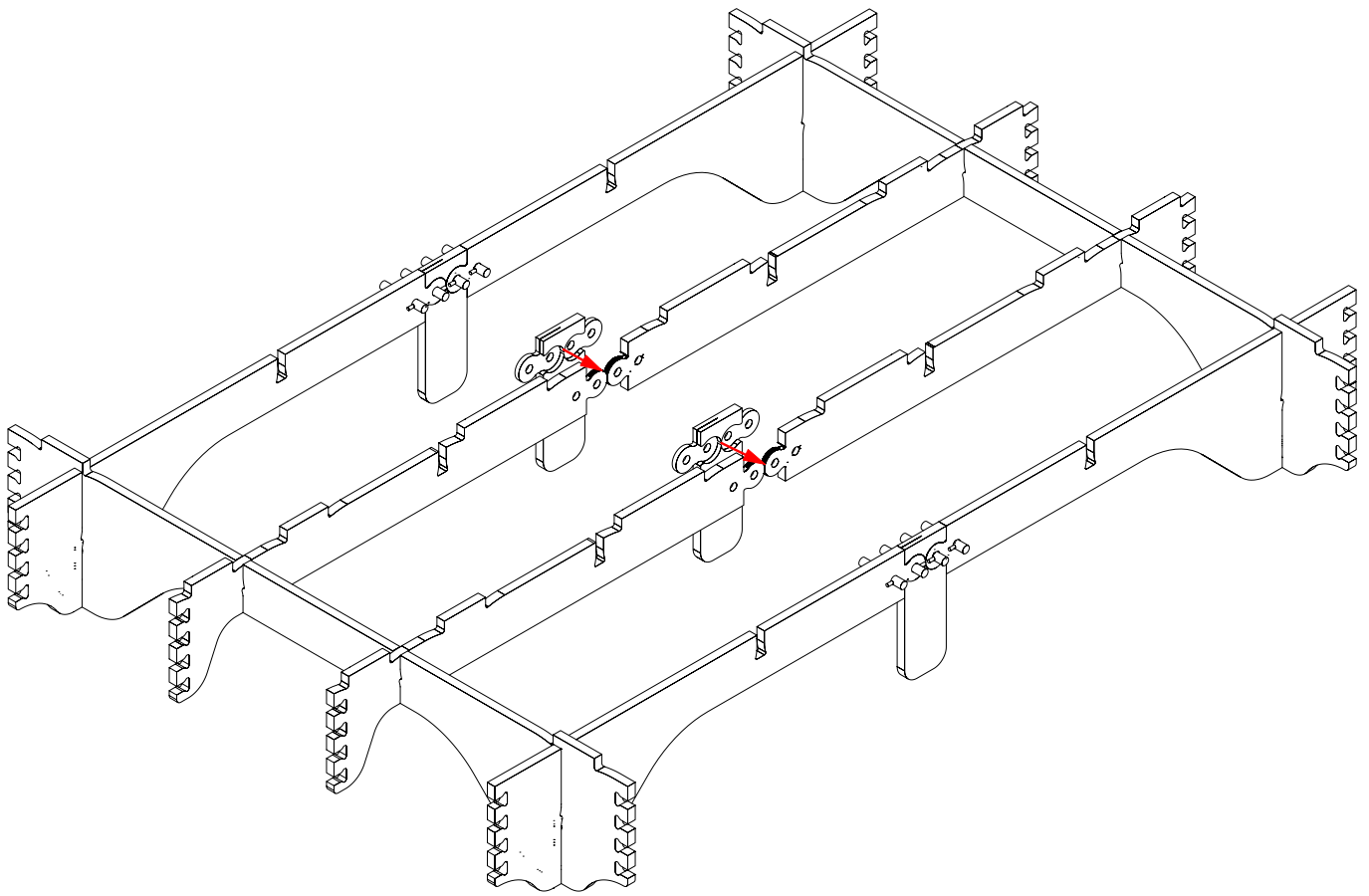
2 OF 3

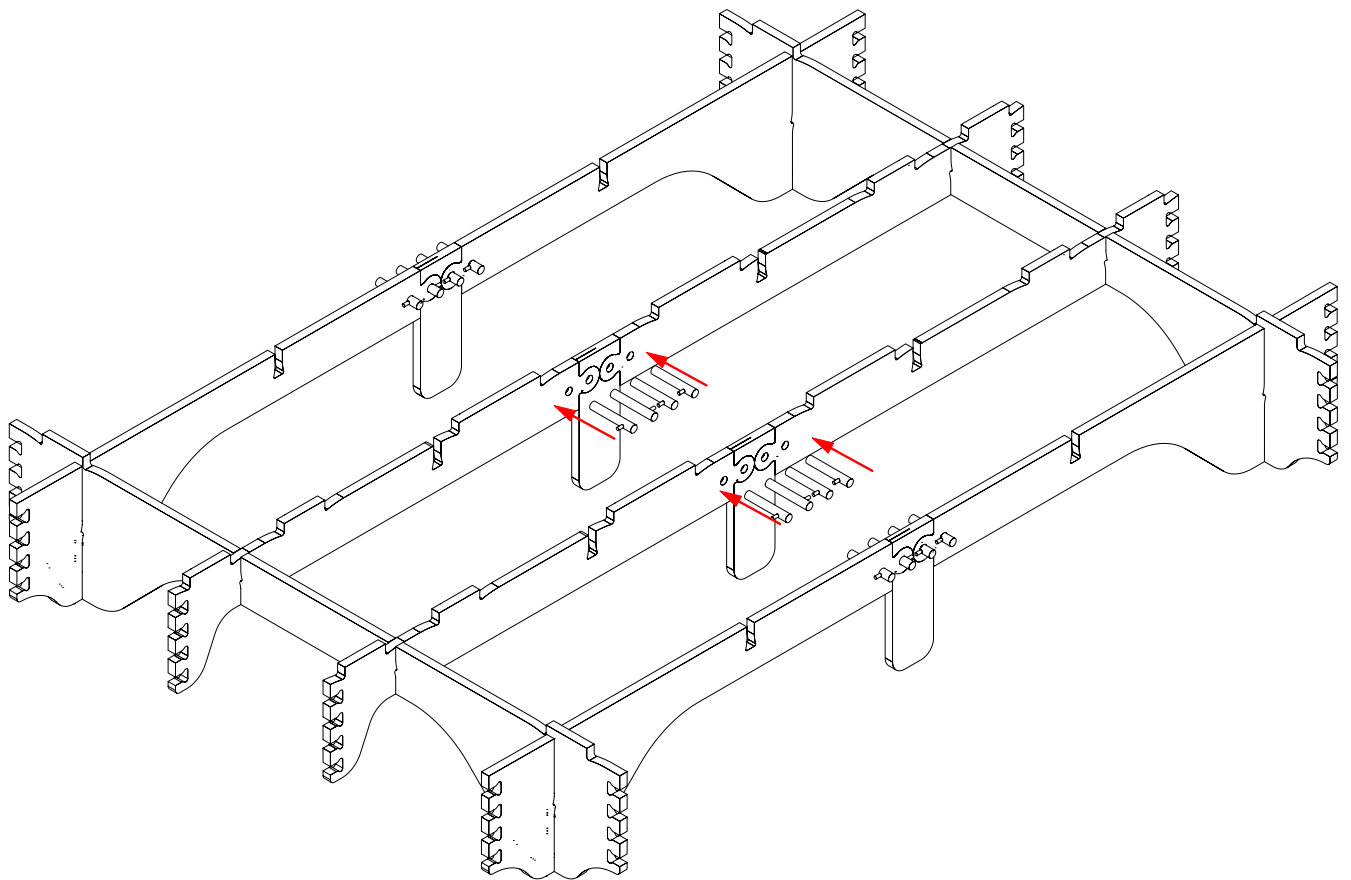


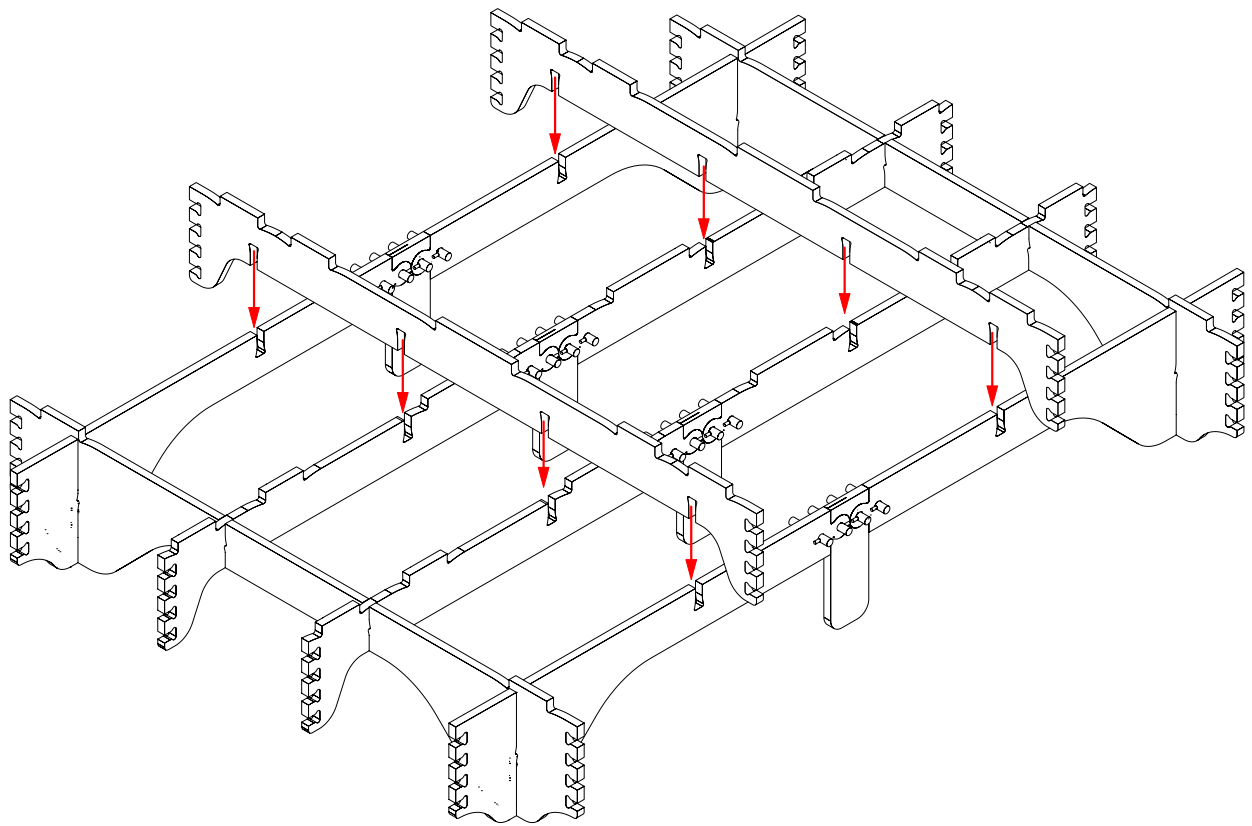
# KING SINGLE BED ASSEMBLY INSTRUCTIONS

3 OF 3





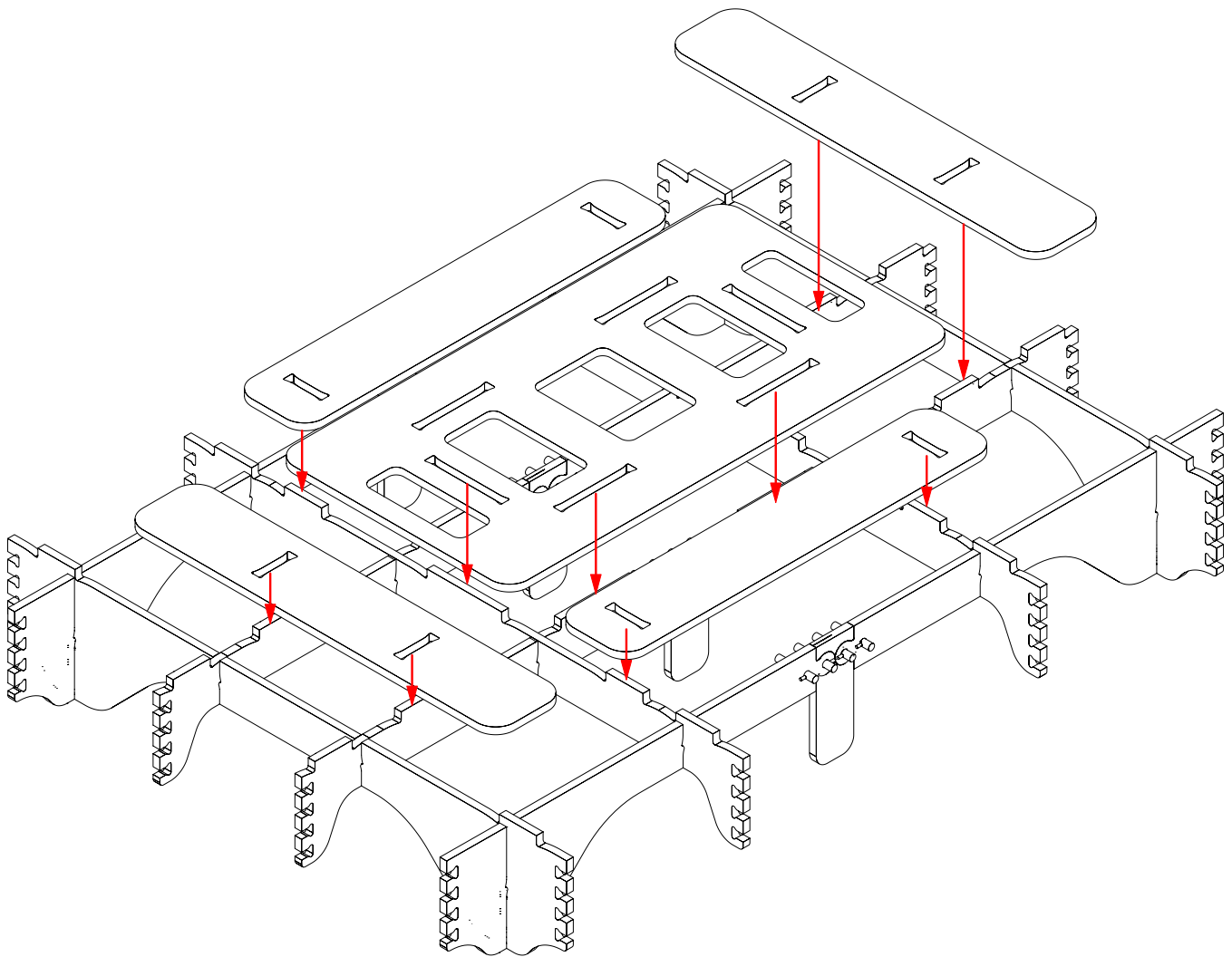






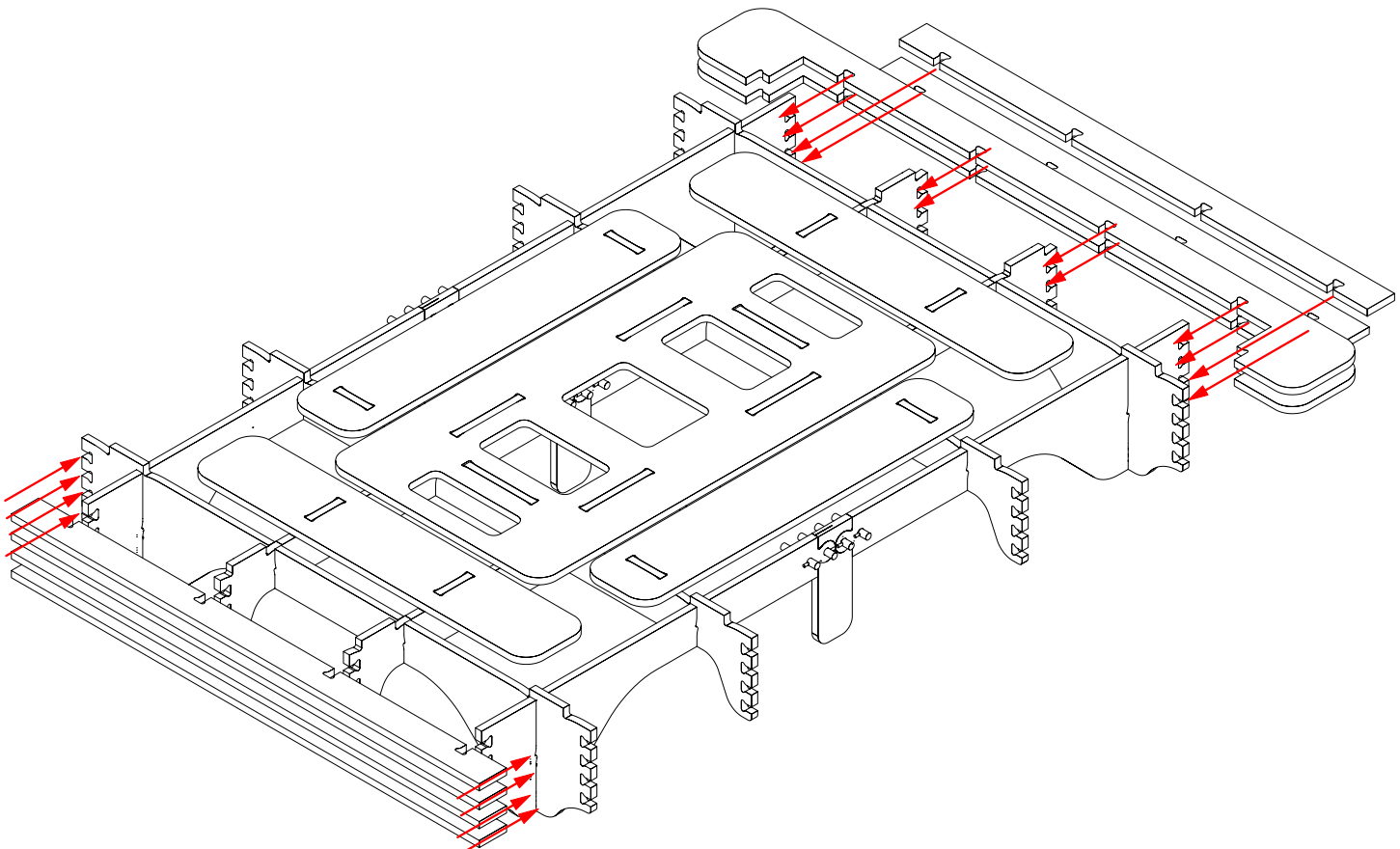
# KING SINLE BED ASSEMBLY INSTRUCTIONS

1 OF 3



# KING SINGLE BED ASSEMBLY INSTRUCTIONS

2 OF 3



# KING SINGLE BED ASSEMBLY INSTRUCTIONS

3 OF 3

