

PUZZLE BOARD

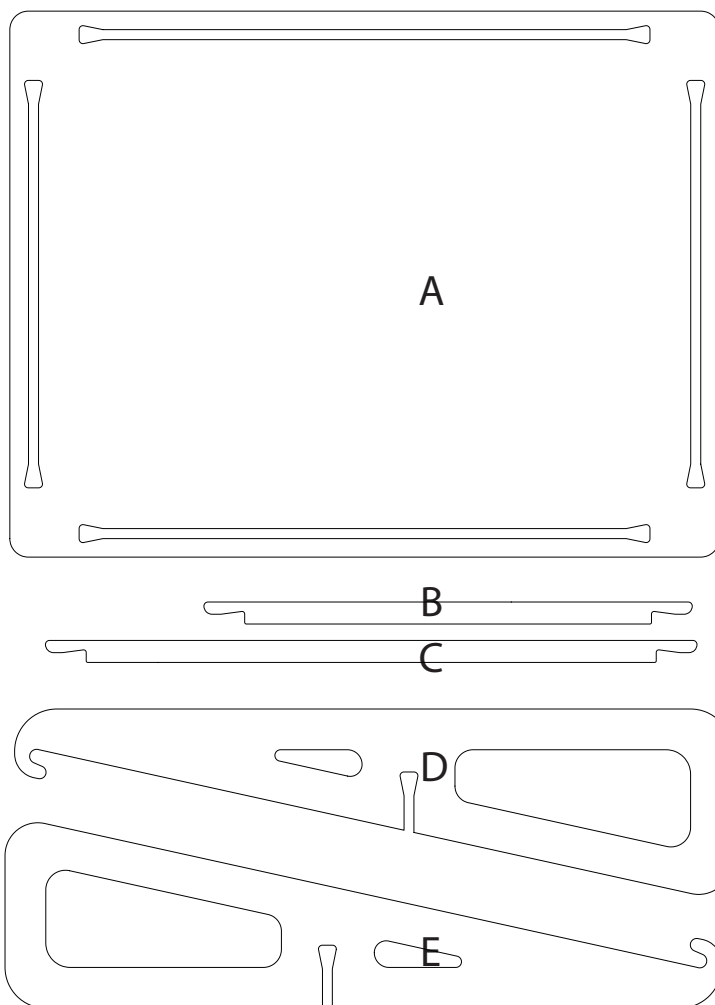


UPLOAD AND TAG US IN YOUR OWN ISOKING PRODUCTS!



ISOKING.COM.AU

PUZZLE BOARD KEY



- A = x 1
- B = x 2
- C = x 2
- D = x 1
- E = x 1



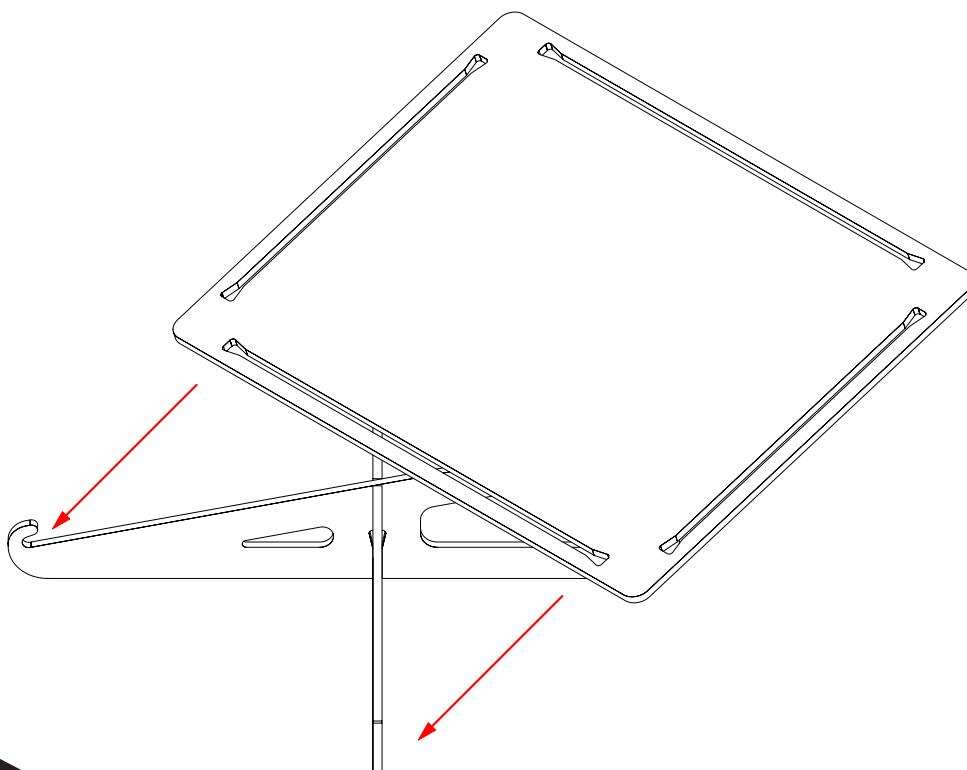
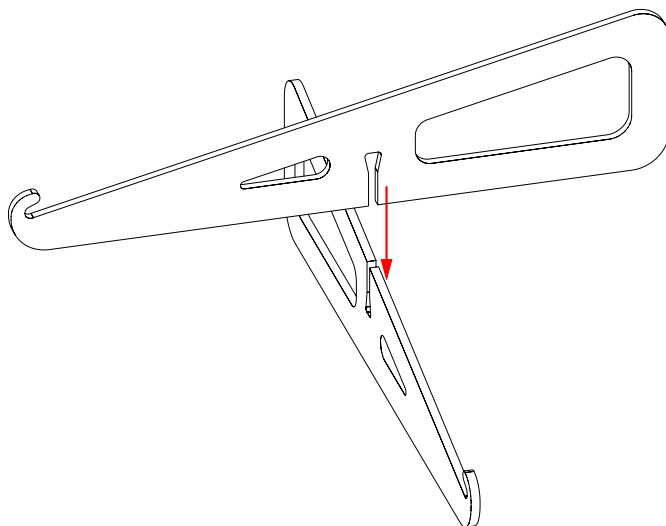
UPLOAD AND TAG US IN YOUR OWN ISOKING PRODUCTS!



ISOKING.COM.AU

PUZZLE BOARD ASSEMBLY INSTRUCTIONS

1 OF 2



PUZZLE BOARD ASSEMBLY INSTRUCTIONS

2 OF 2

