

KING SINGLE BED

ISOKING at home

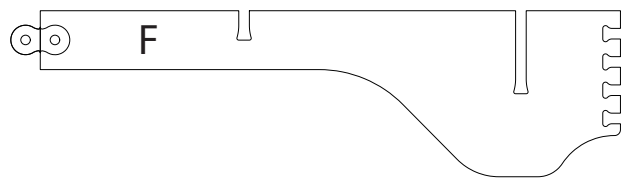
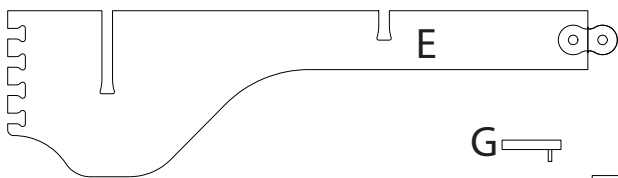
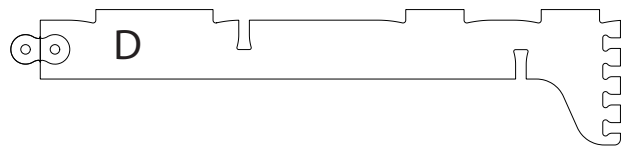
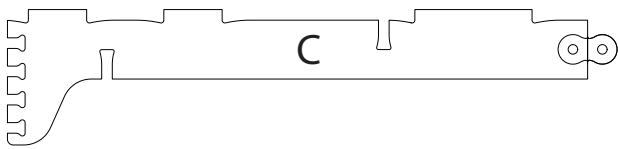
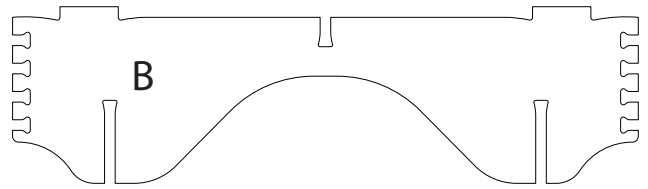
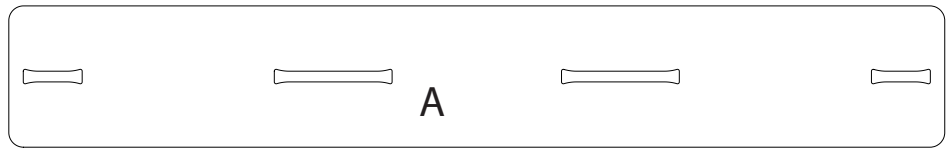


UPLOAD AND TAG US IN YOUR OWN ISOKING PRODUCTS!

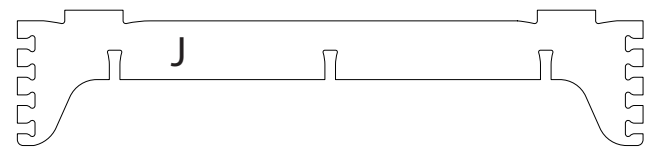
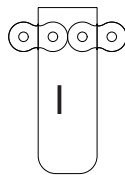
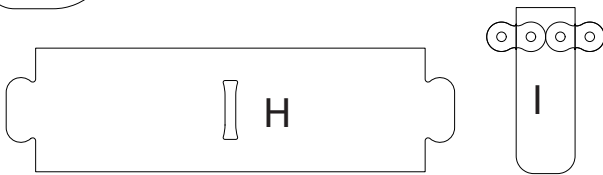


ISOKING.COM.AU

KING SINGLE BED KEY



G



A = x 1

B = x 2

C = x 1

D = x 1

E = x 1

F = x 1

G = x 12

H = x 2

I = x 3

J = x 2

K = x 4

L = x 1

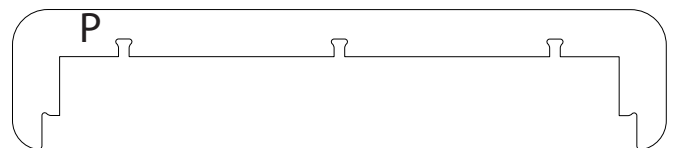
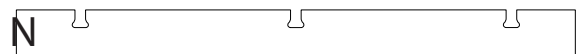
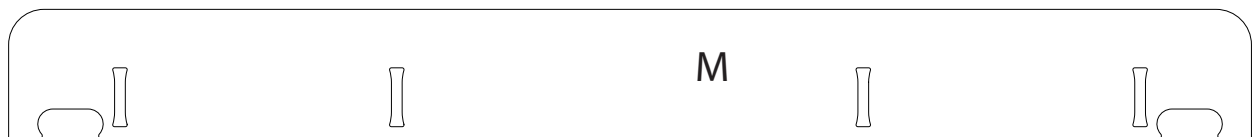
M = x 1

N = x 6

O = x 4

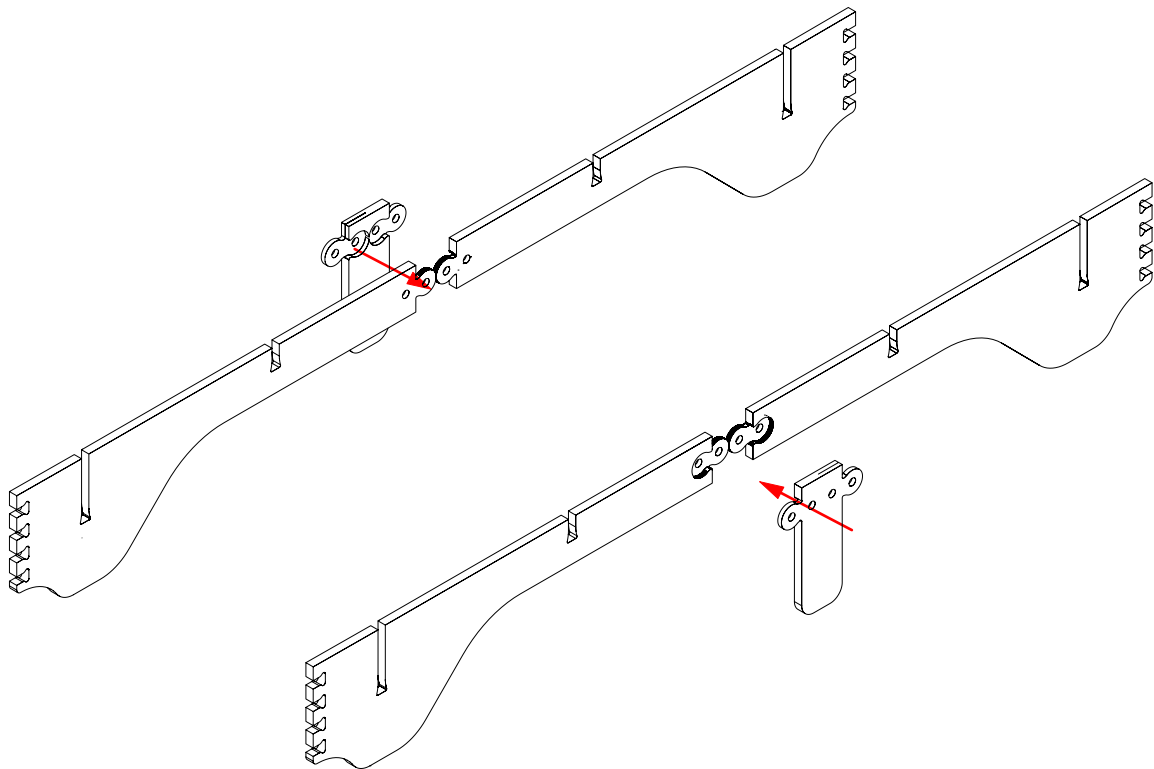
P = x 2

Q = x 2



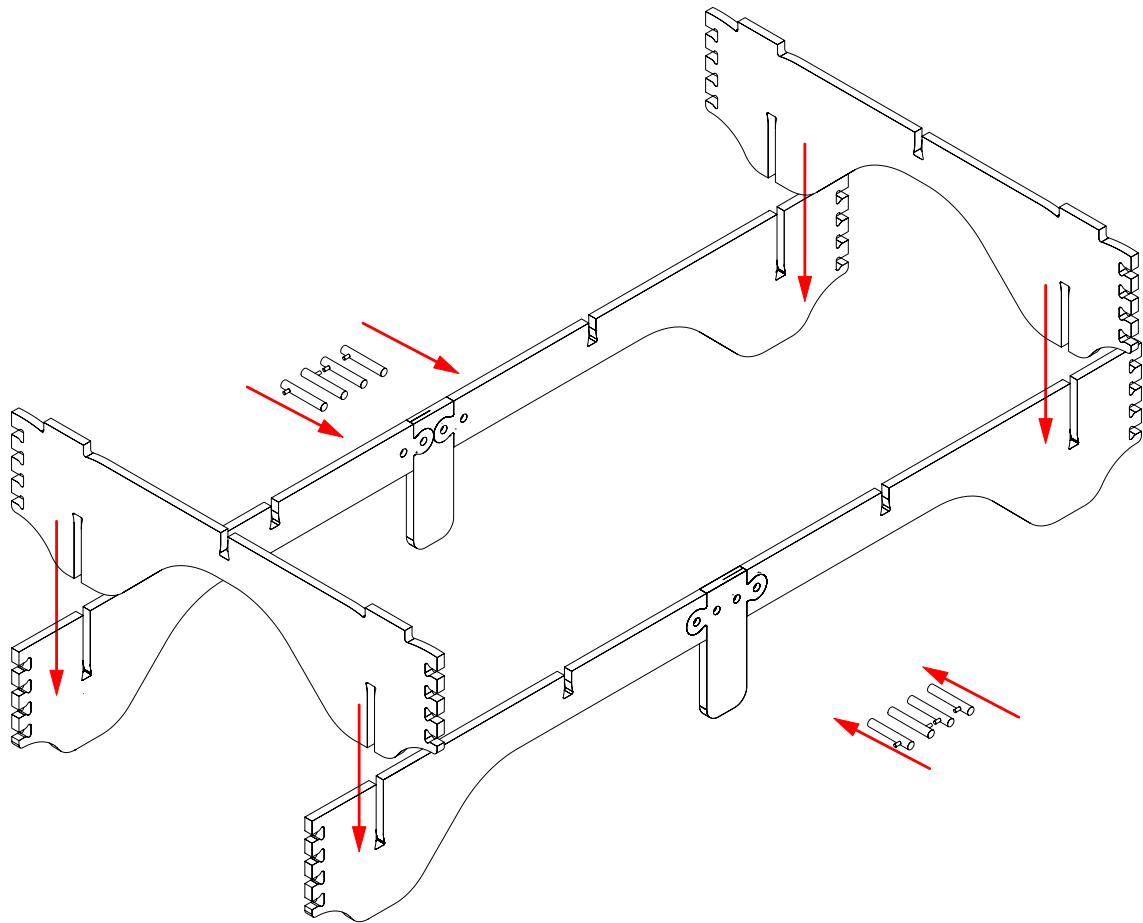
KING SINLE BED ASSEMBLY INSTRUCTIONS

1 OF 8



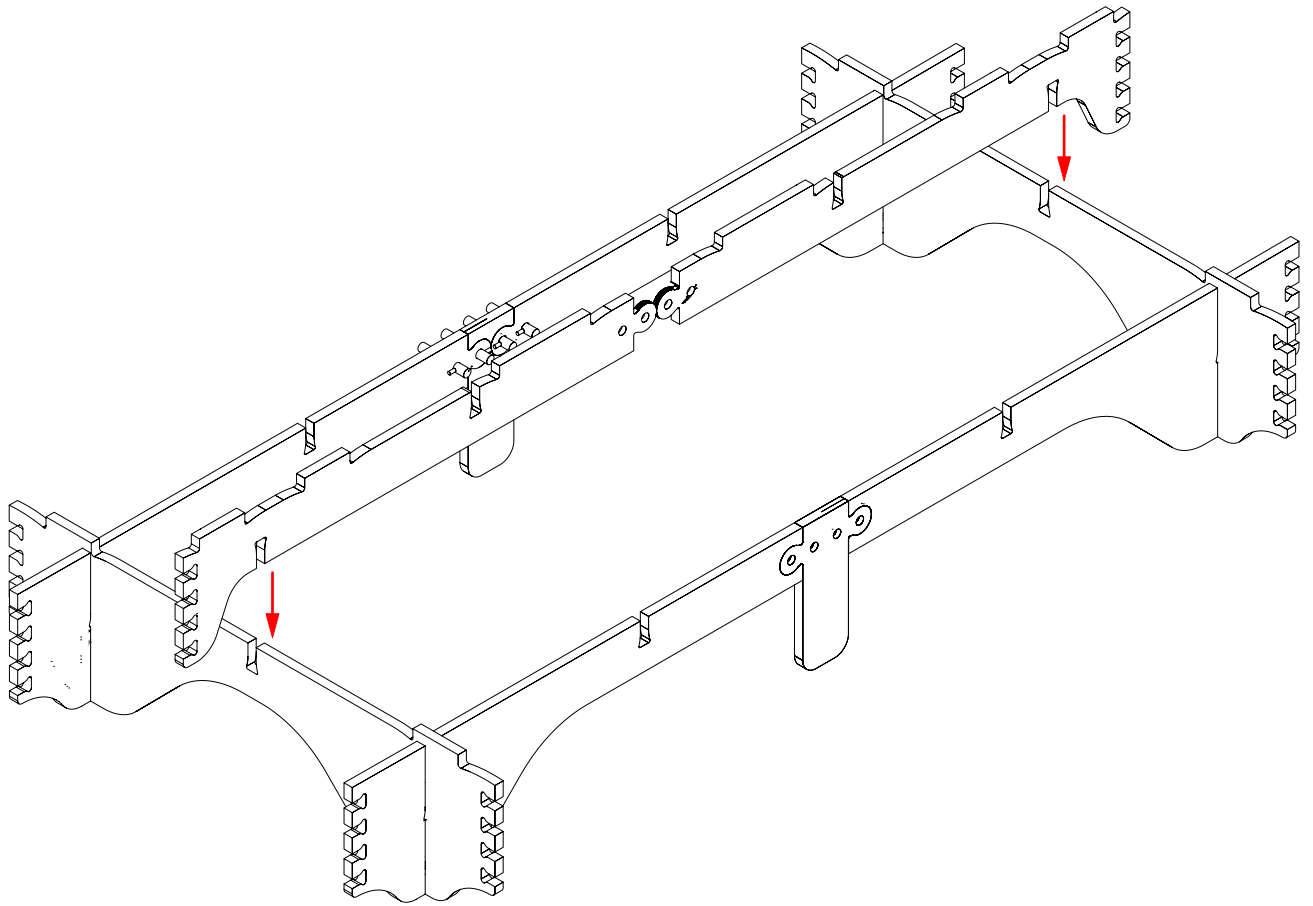
KING SINGLE BED ASSEMBLY INSTRUCTIONS

2 OF 8



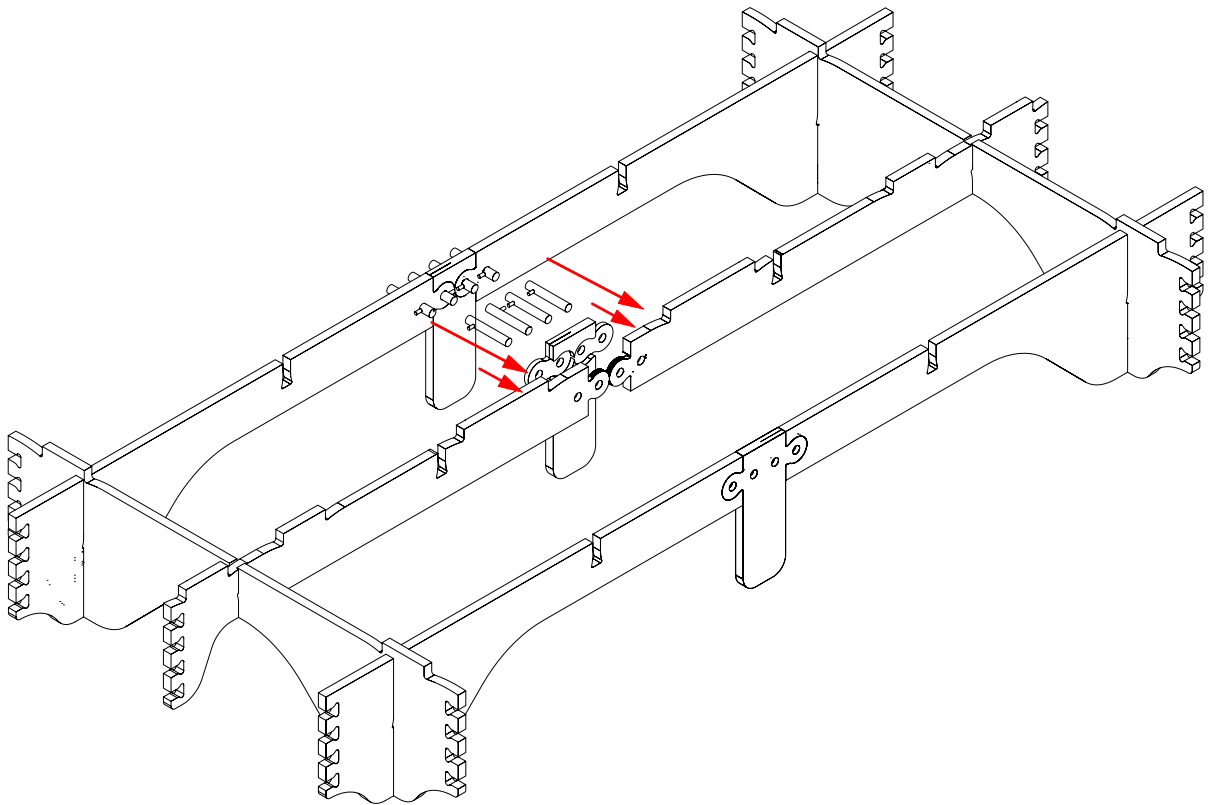
KING SINGLE BED ASSEMBLY INSTRUCTIONS

3 OF 8



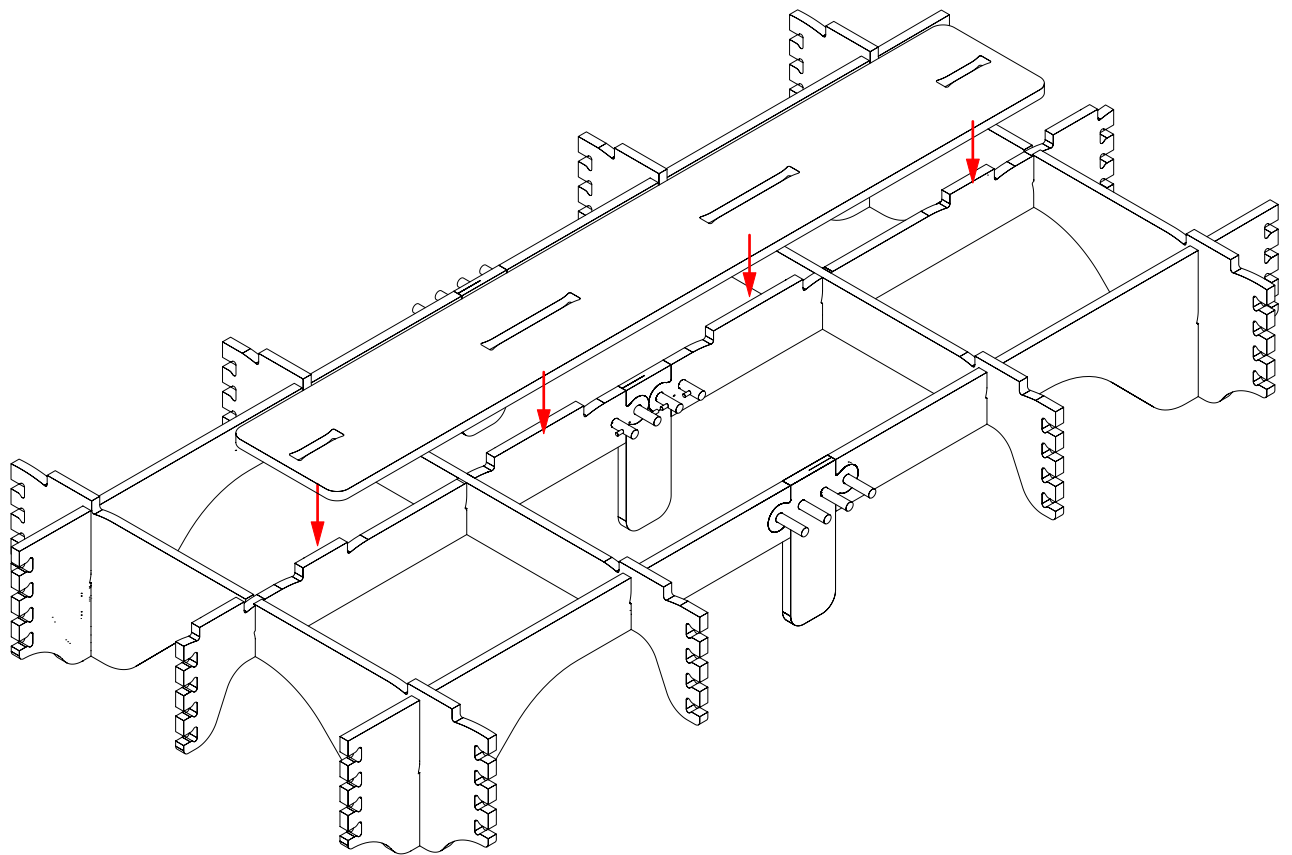
KING SINGLE BED ASSEMBLY INSTRUCTIONS

4 OF 8



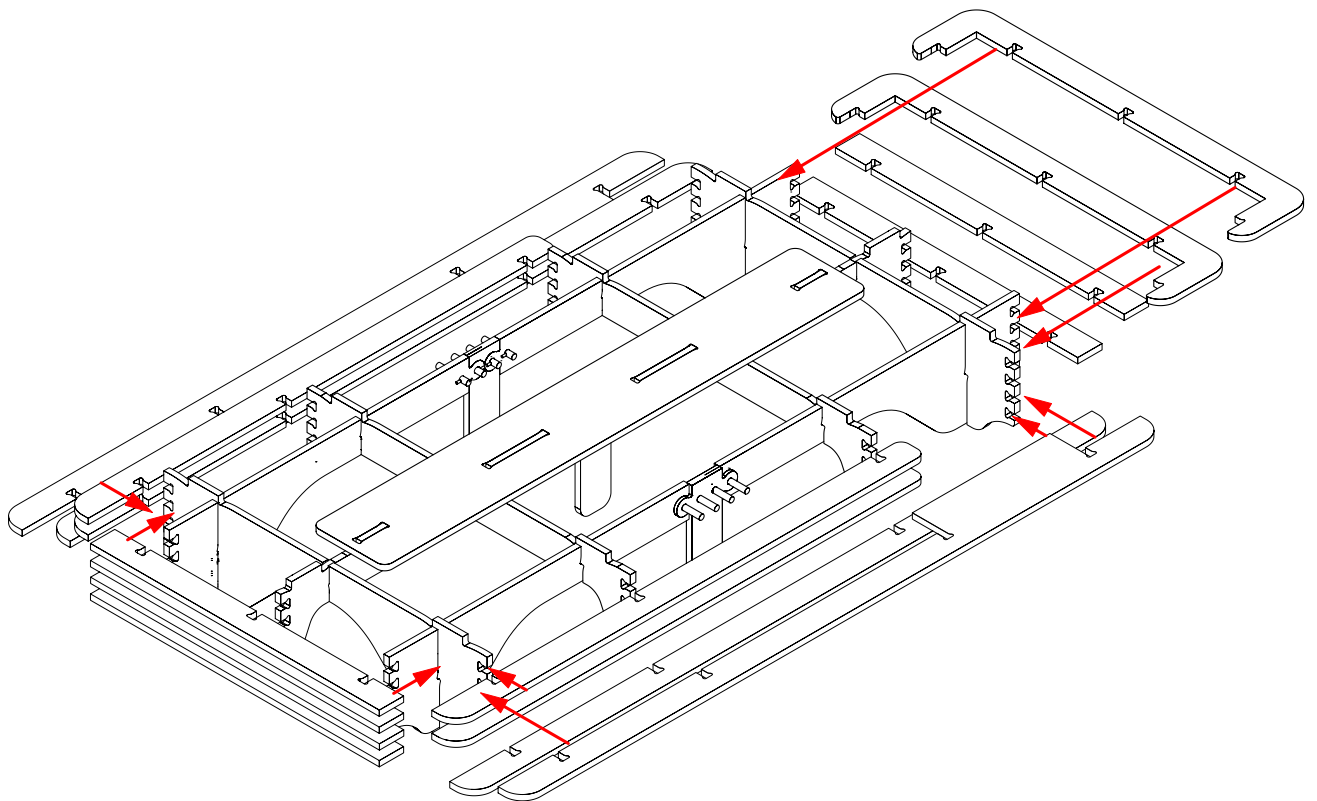
KING SINGLE BED ASSEMBLY INSTRUCTIONS

5 OF 8



KING SINGLE BED ASSEMBLY INSTRUCTIONS

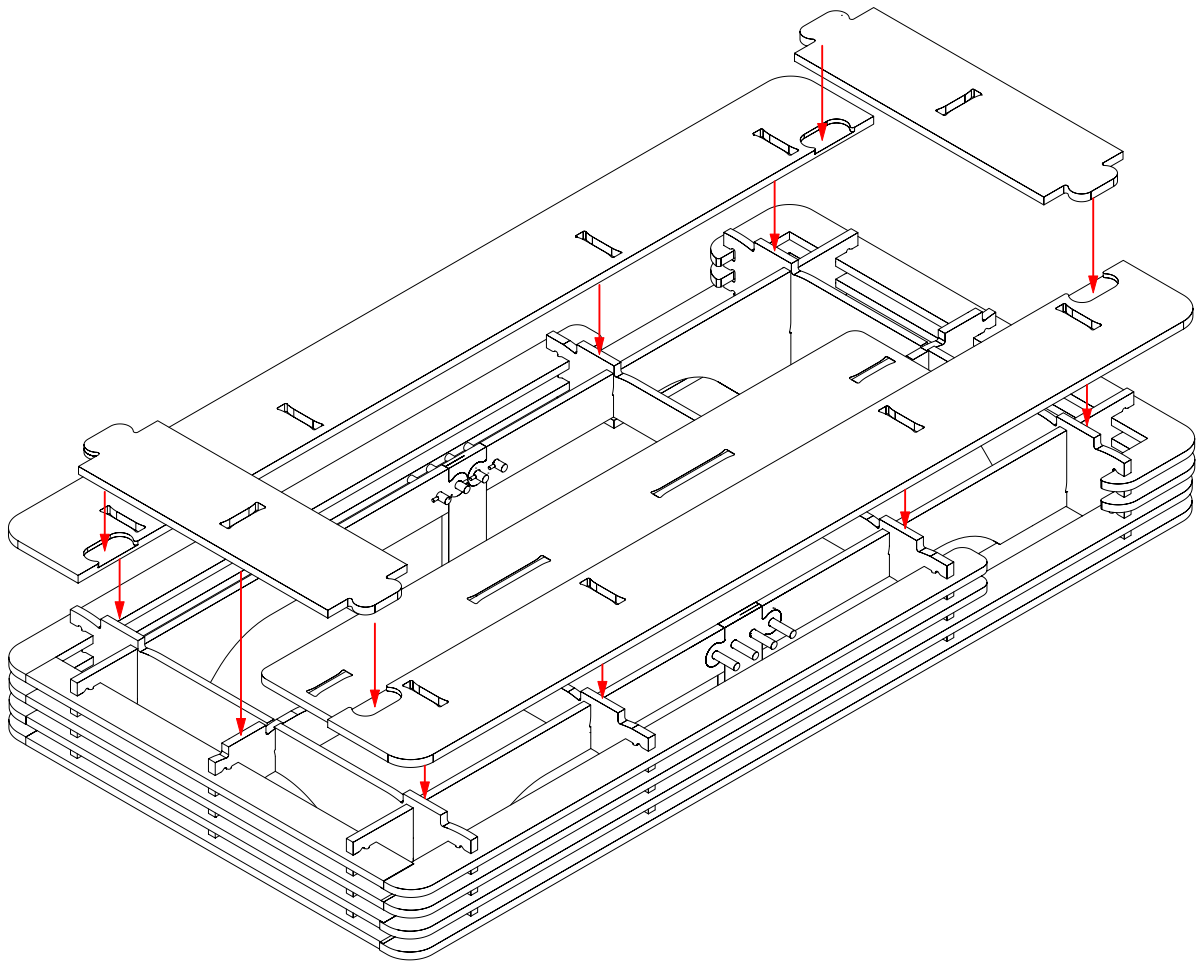
6 OF 8



Note. Insert side slats from bottom rung first to allow for easier assembly

KING SINGLE BED ASSEMBLY INSTRUCTIONS

7 OF 8



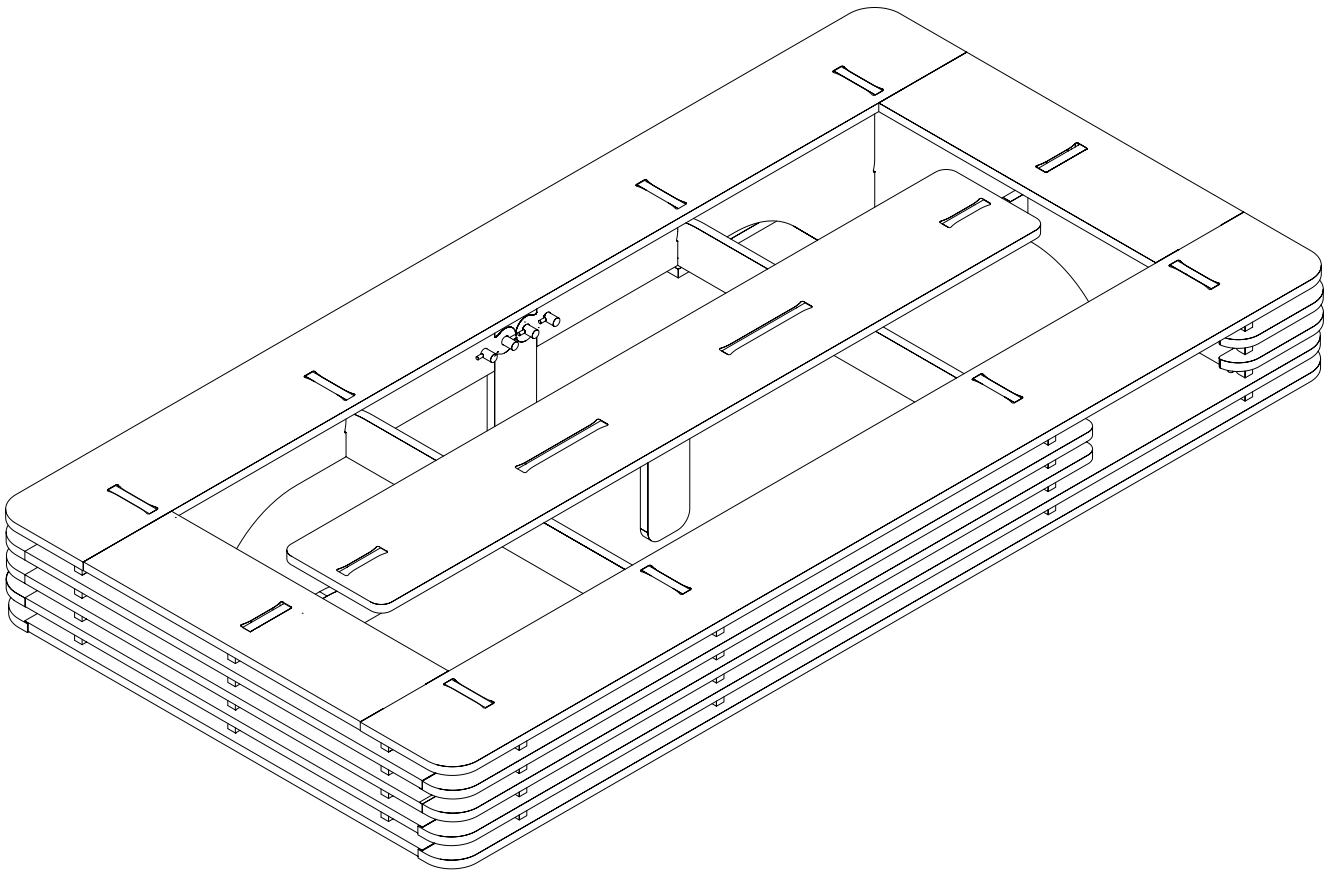
UPLOAD AND TAG US IN YOUR OWN ISOKING PRODUCTS!



ISOKING.COM.AU

KING SINGLE BED ASSEMBLY INSTRUCTIONS

8 OF 8



UPLOAD AND TAG US IN YOUR OWN ISOKING PRODUCTS!



ISOKING.COM.AU