

# DOUBLE WIDTH MONITOR STAND

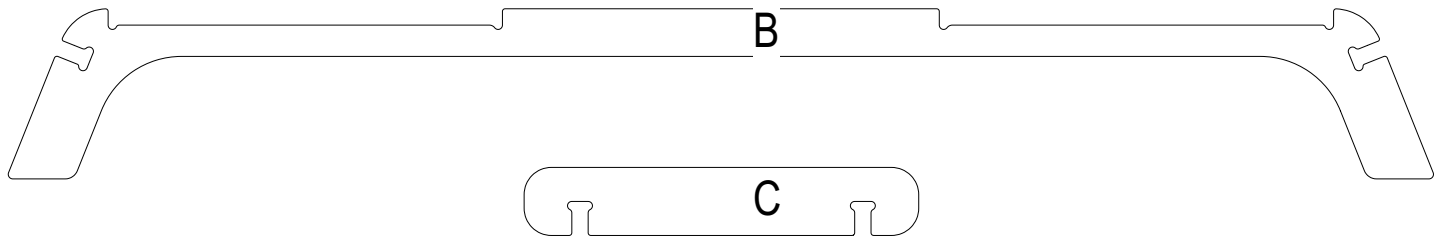
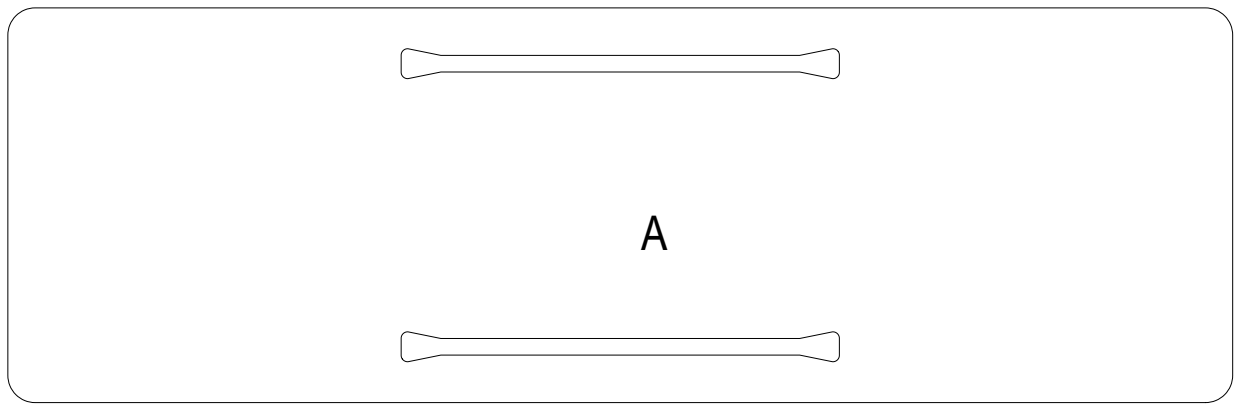


UPLOAD AND TAG US IN YOUR OWN ISOKING PRODUCTS!



ISOKING.COM.AU

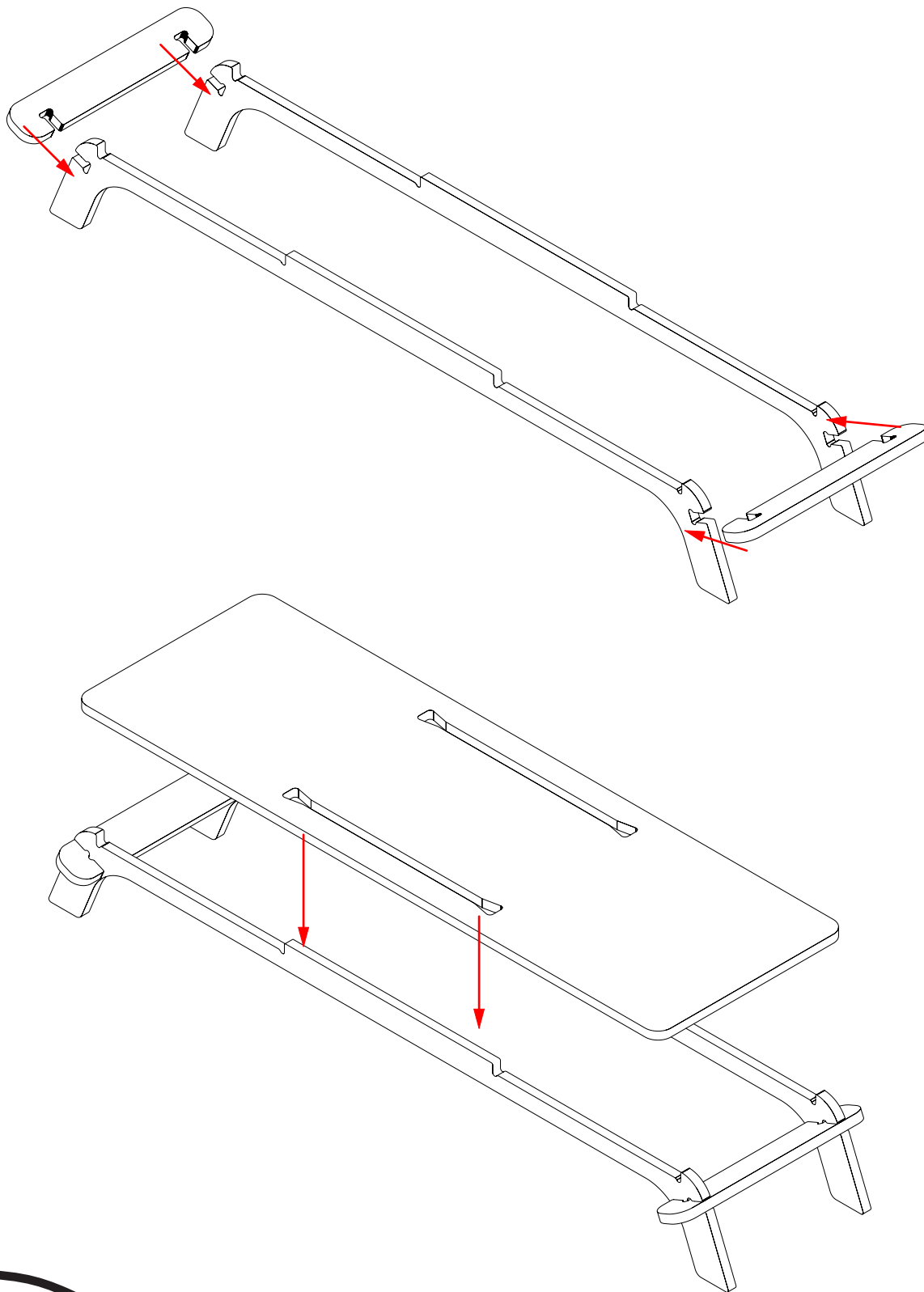
# DOUBLE WIDTH MONITOR STAND KEY



A= x 1  
B= x 2  
C= x 2

# DOUBLE WIDTH MONITOR STAND

## ASSEMBLY INSTRUCTIONS



# DOUBLE WIDTH MONITOR STAND

## ASSEMBLY INSTRUCTIONS

