

# FLORENCE BOOKCASE

**ISOKING** at home

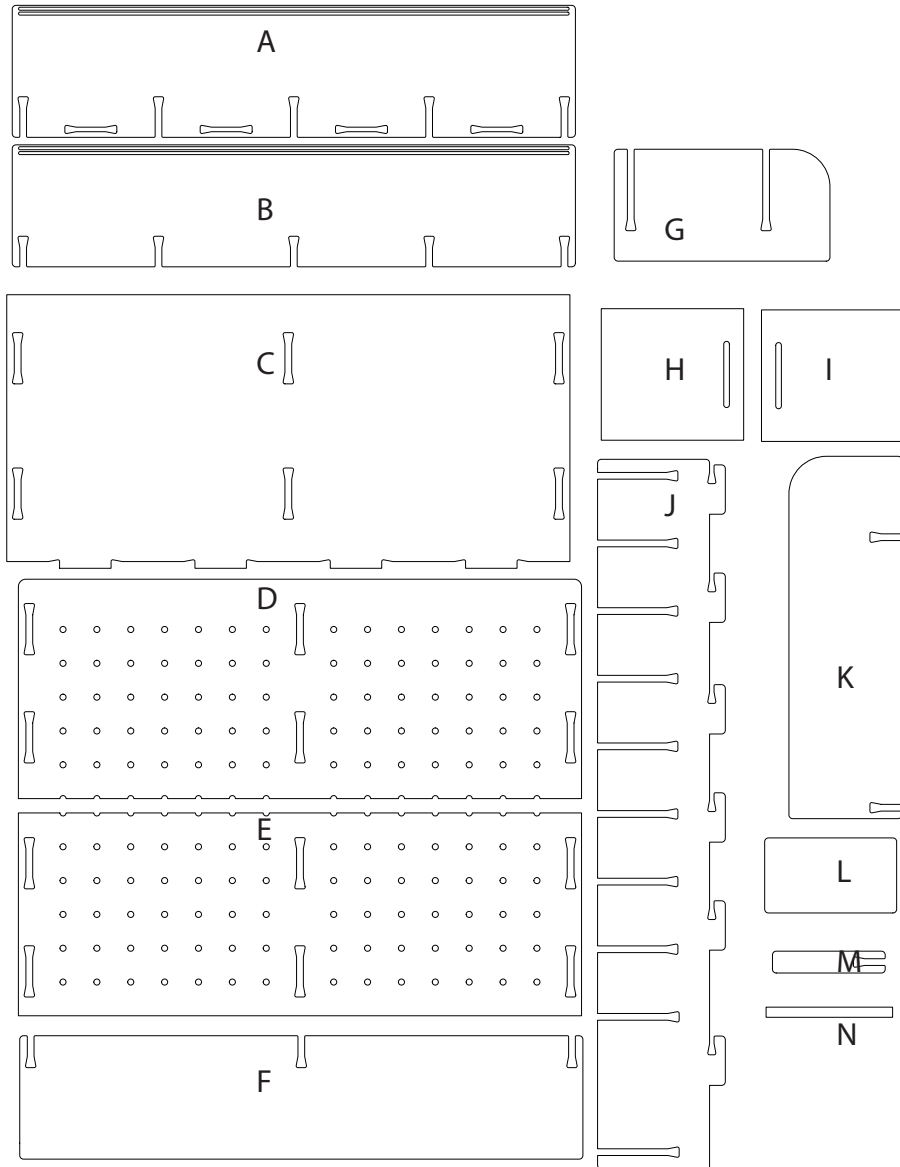


UPLOAD AND TAG US IN YOUR OWN ISOKING PRODUCTS!



ISOKING.COM.AU

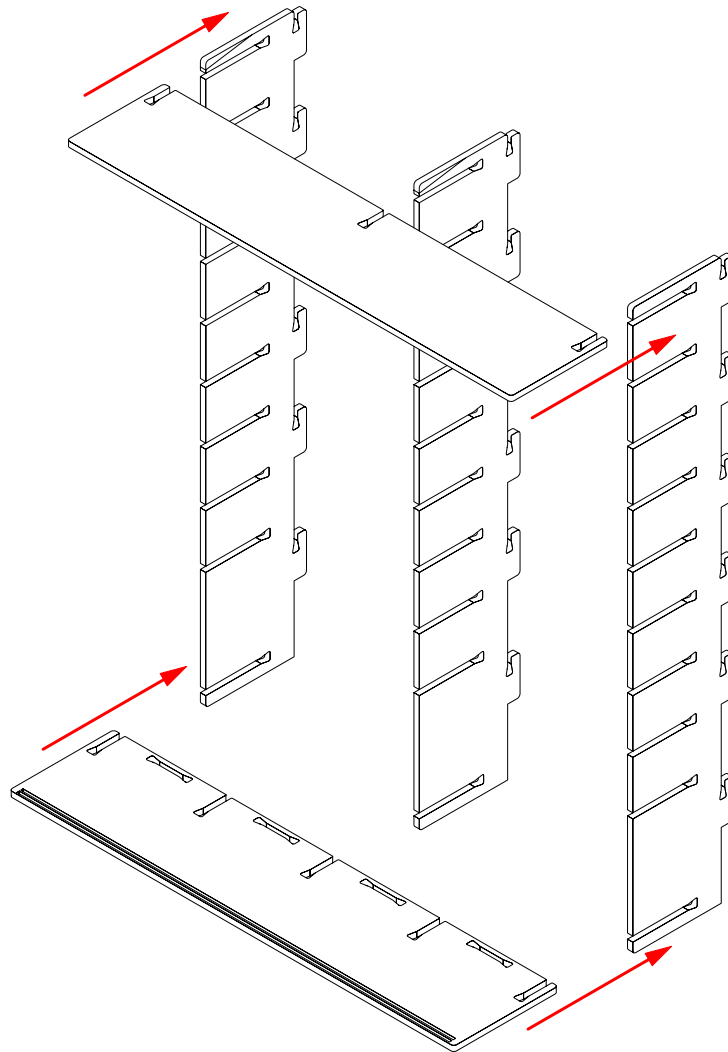
# BOOKCASE KEY



- A = x 1
- B = x 1
- C = x 1
- D = x 1
- E = x 1
- F = x 2
- G = x 2
- H = x 2
- I = x 2
- J = x 2
- K = x 2
- L = x 2
- M = x 12
- N = x 2

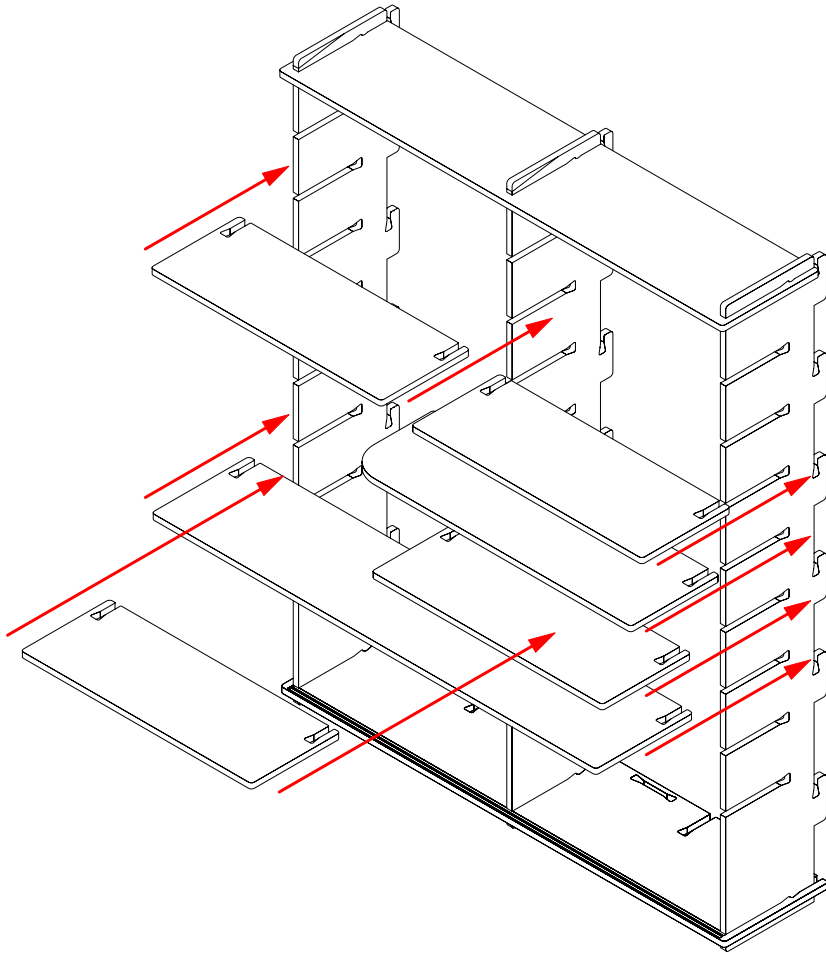
# BOOKCASE ASSEMBLY INSTRUCTIONS

1 OF 6



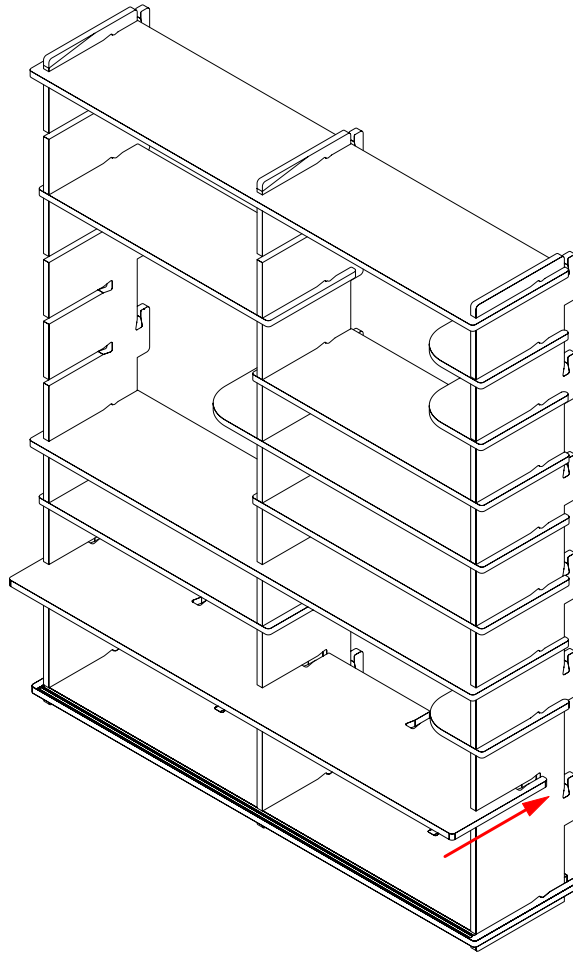
# BOOKCASE ASSEMBLY INSTRUCTIONS

2 OF 6



# BOOKCASE ASSEMBLY INSTRUCTIONS

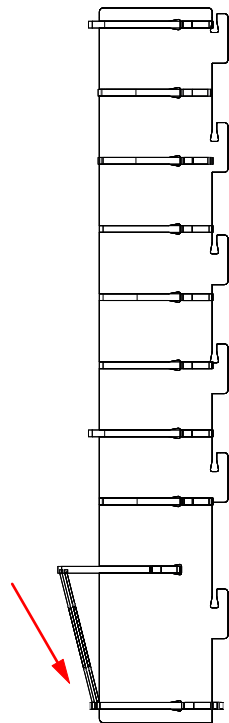
3 OF 6



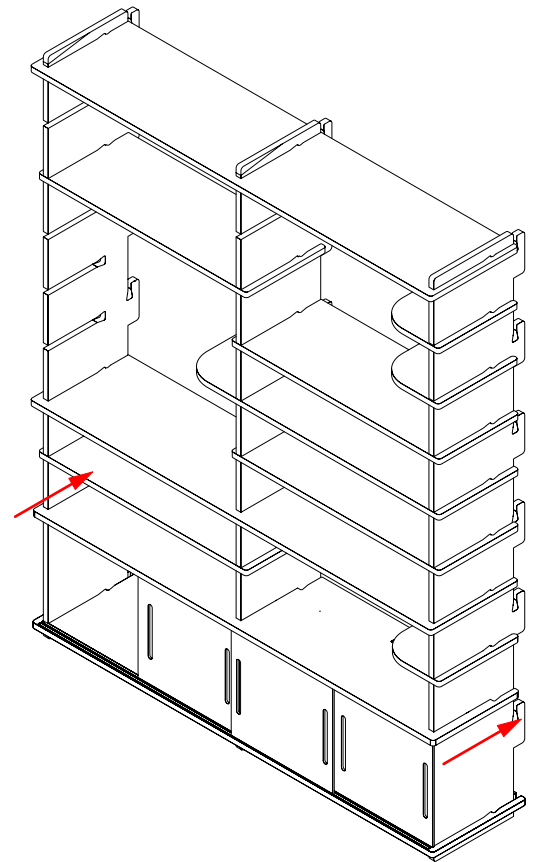
NOTE. Insert this piece halfway to allow the doors to fit in the next step

# BOOKCASE ASSEMBLY INSTRUCTIONS

4OF 6



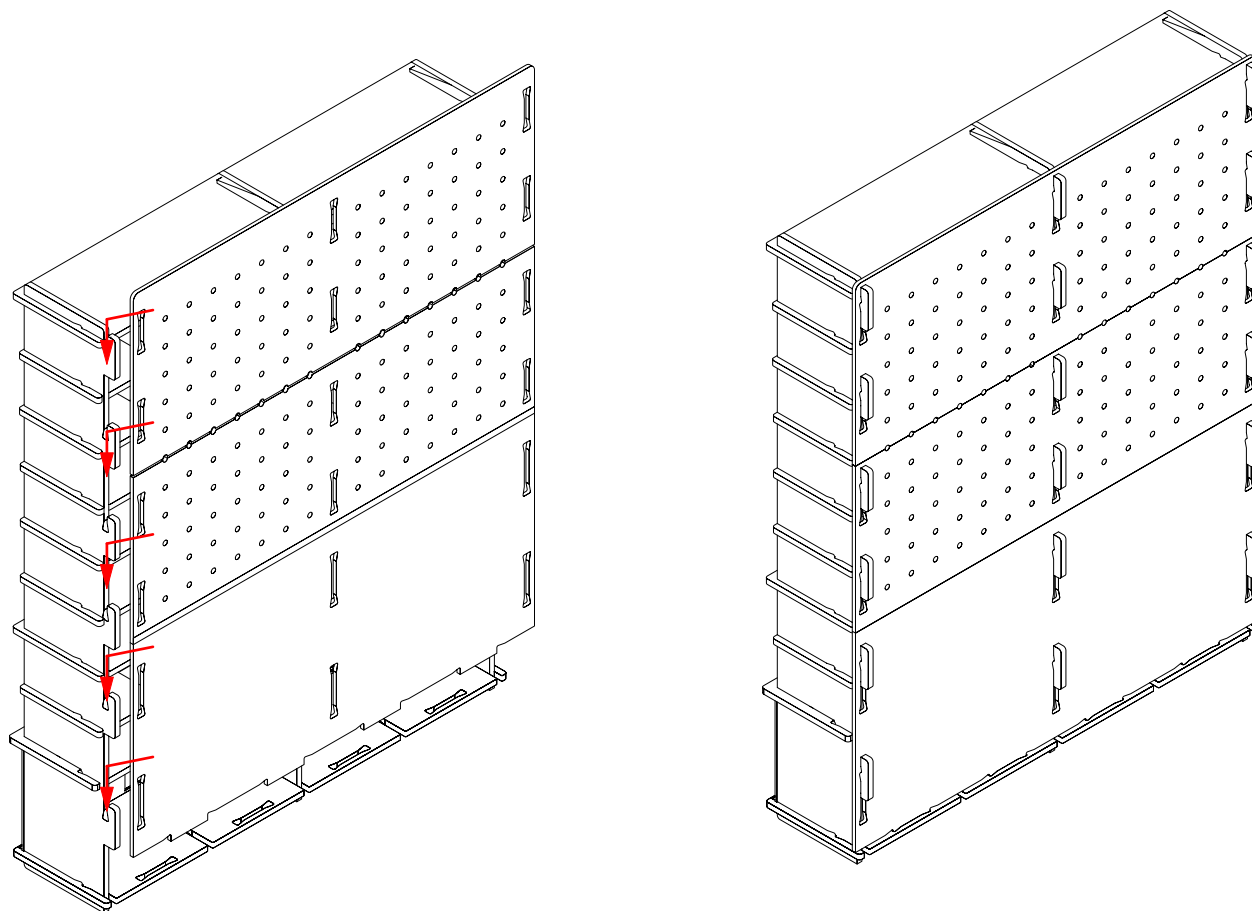
NOTE. Insert the doors on an angle whilst also inserting it into the top shelf



NOTE. when doors are connected to top and bottom rungs, push top shelf all the way in

# BOOKCASE ASSEMBLY INSTRUCTIONS

5 OF 6

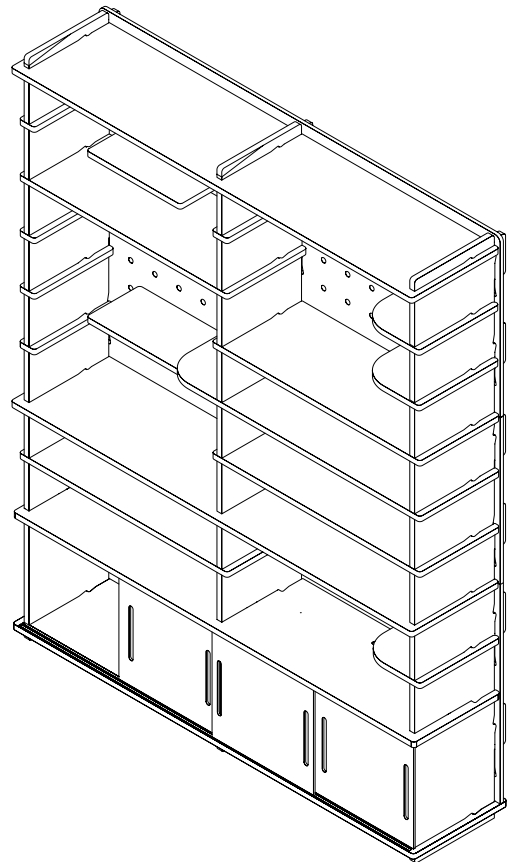
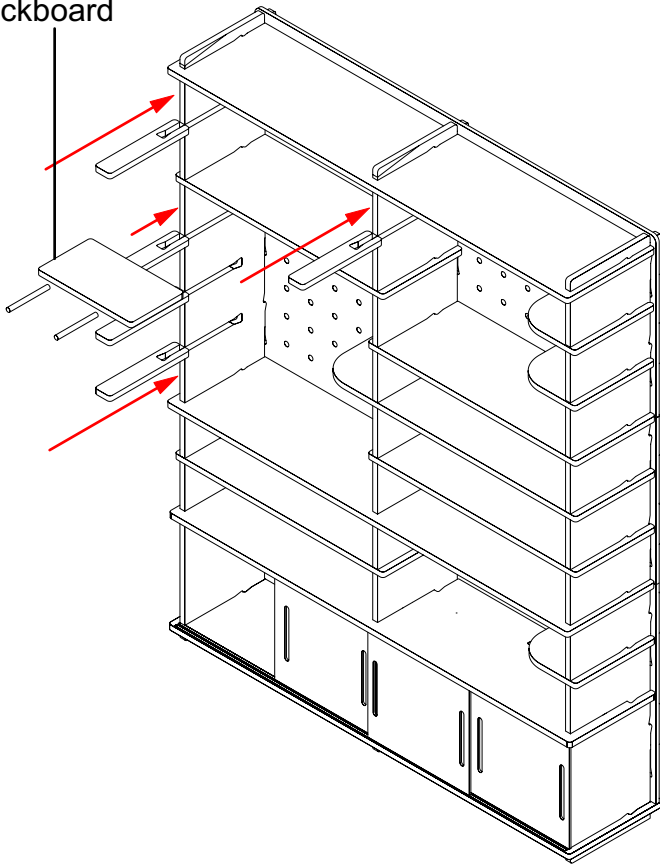


NOTE. ensure these male  
joins insert into  
corresponding female holes  
on bottom piece

# BOOKCASE ASSEMBLY INSTRUCTIONS

6 OF 6

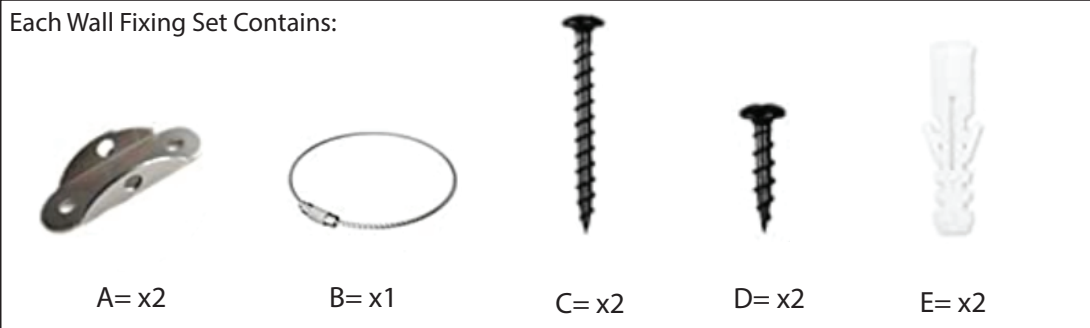
NOTE. shelf rest onto  
dowells that insert into  
backboard





## Wall Fixing your Product KEY

**Warning:** Serious or fatal crushing injuries can occur from furniture tip over. To prevent this item from tipping over it must be permanently fixed to the wall. Plaster wall fixings are included with this item, other wall materials require different wall fixing devices, use fixings suitable for the walls in your home. We recommend installing 2 sets per piece of furniture for keeping the furniture in place. See next page for instructions on installing these wall fixings.



Florence Isoking Entertainment Unit	= 1 Wall Fixing Set Provided
Florence Isoking Bedside Table	= 1 Wall Fixing Set Provided
Florence Isoking Bookcase	= 2 Wall Fixing Sets Provided



## Assembly Instructions

Note. Ensure fastening wall fixings to the top rear corners of your product

Consult a professional if you are not confident with installing fixing yourself.



1. Mark the screw holes with a pen or pencil



2. Drill holes into wall



3. Use a hammer to insert expansion holes



4. Attach the mount to the wall with long screws



5. Attach mount to your Isoking product with screws



6. Pass the cable through both mount holes and fasten the connector