

FLORENCE BEDSIDE TABLE

ISOKING at home

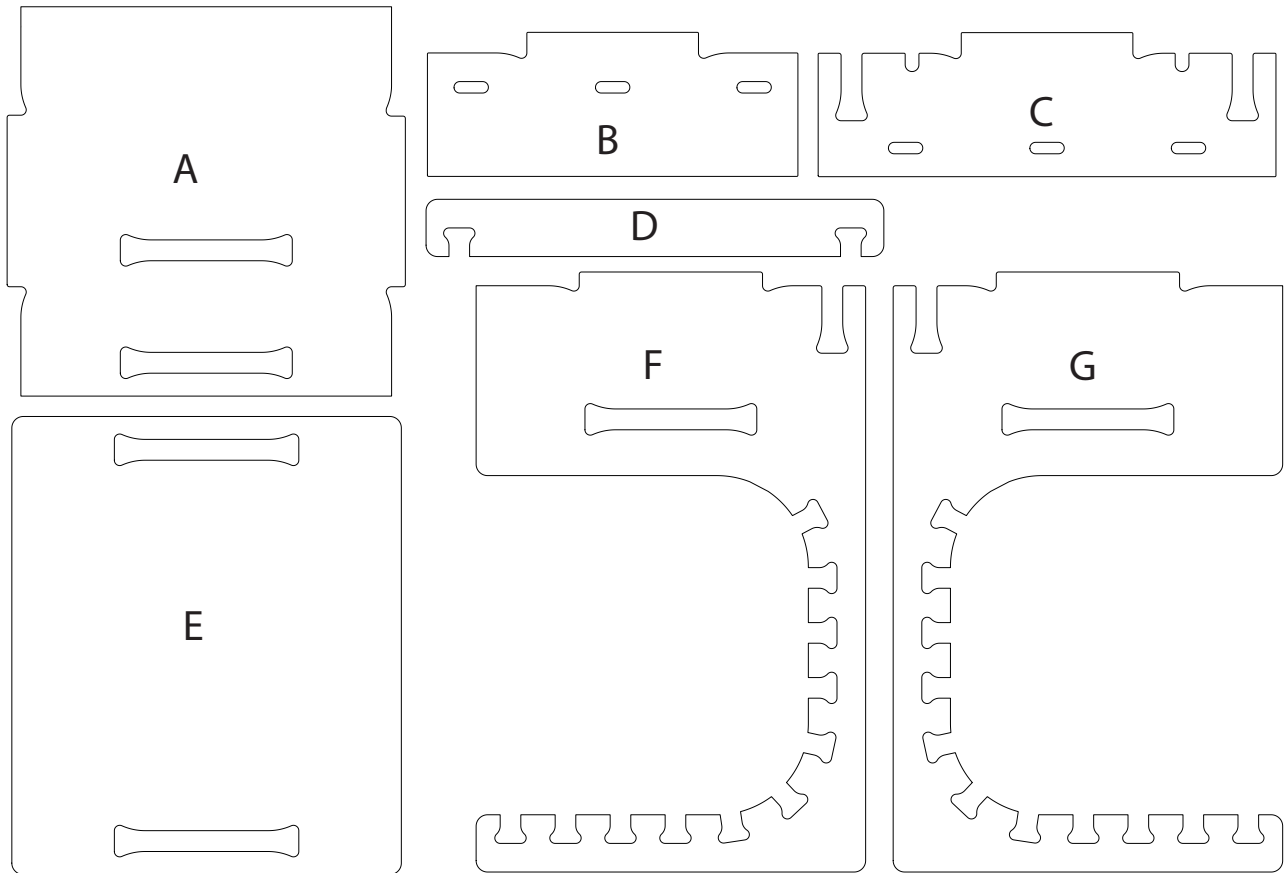


UPLOAD AND TAG US IN YOUR OWN ISOKING PRODUCTS!



ISOKING.COM.AU

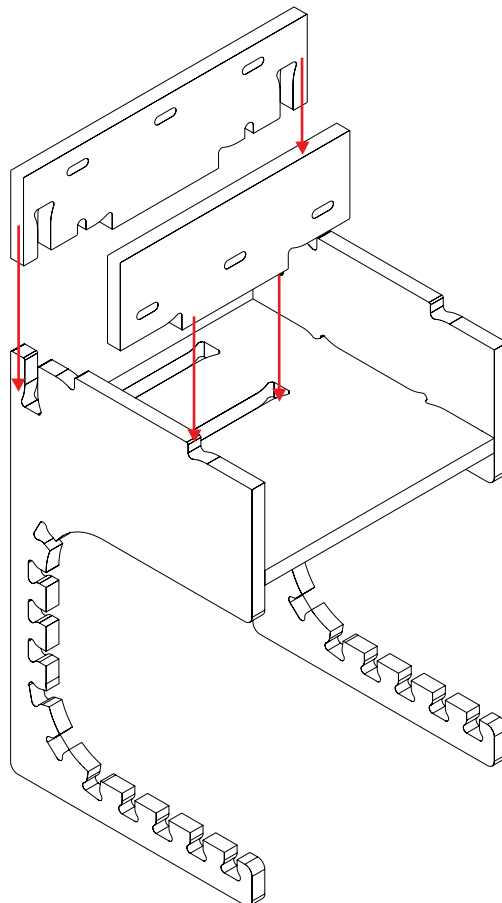
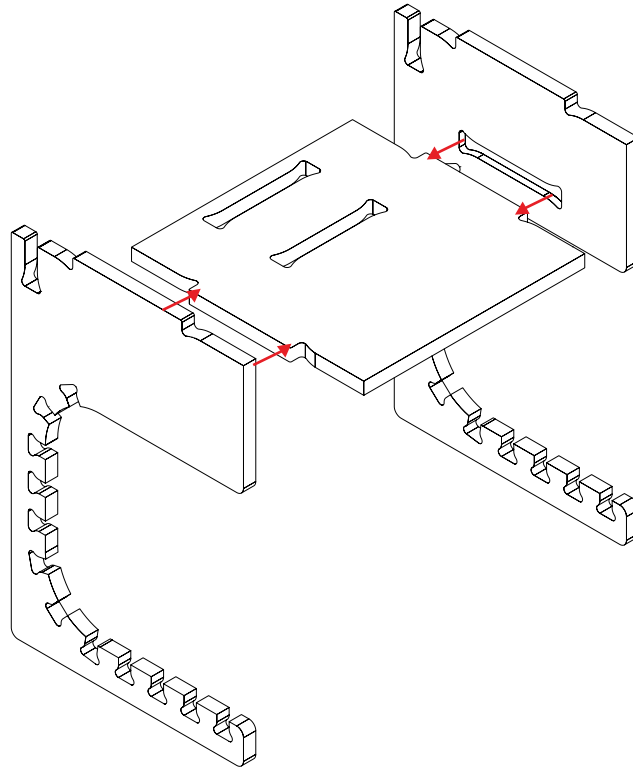
BEDSIDE TABLE KEY



- A = x 1
- B = x 1
- C = x 1
- D = x 11
- E = x 1
- F = x 1
- G = x 1

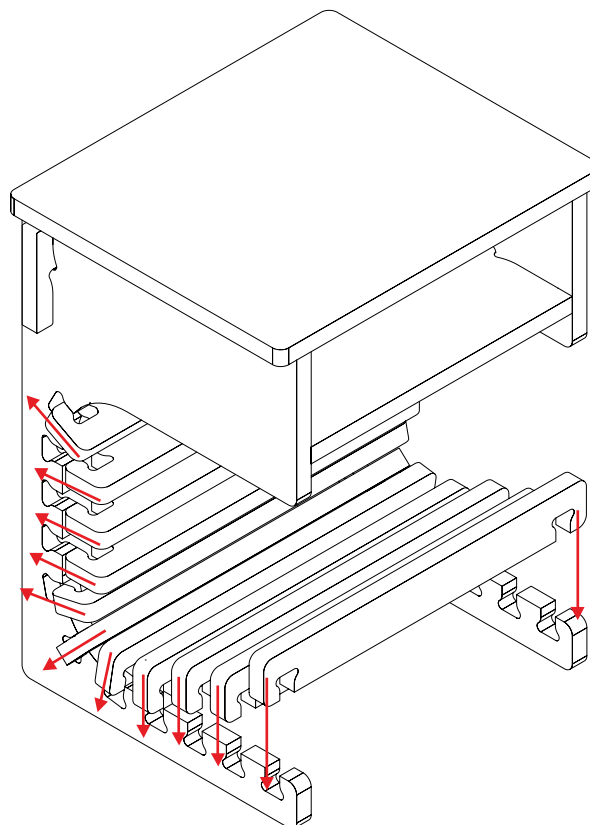
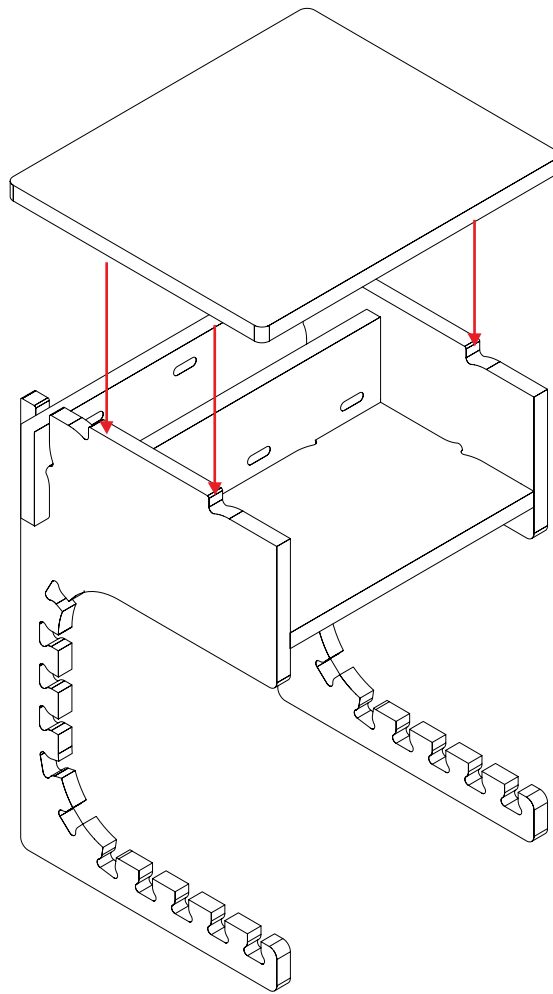
BED SIDE TABLE ASSEMBLY INSTRUCTIONS

1 OF 3



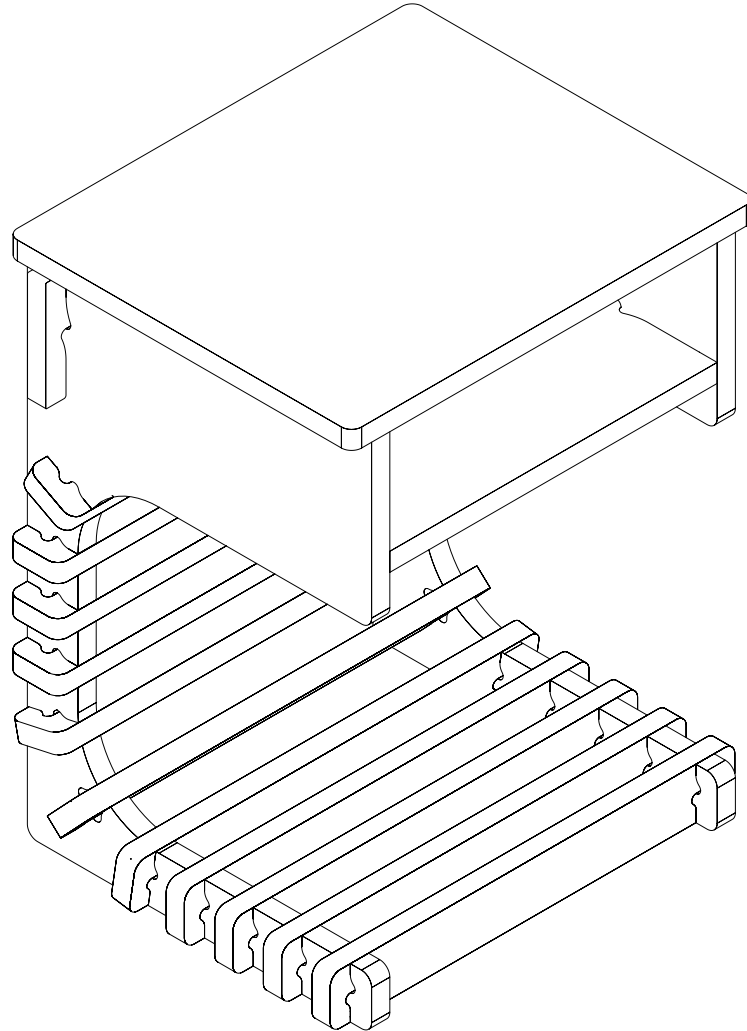
BEDSIDE BASE ASSEMBLY INSTRUCTIONS

2 OF 3



BEDSIDE BASE ASSEMBLY INSTRUCTIONS

3 OF 3

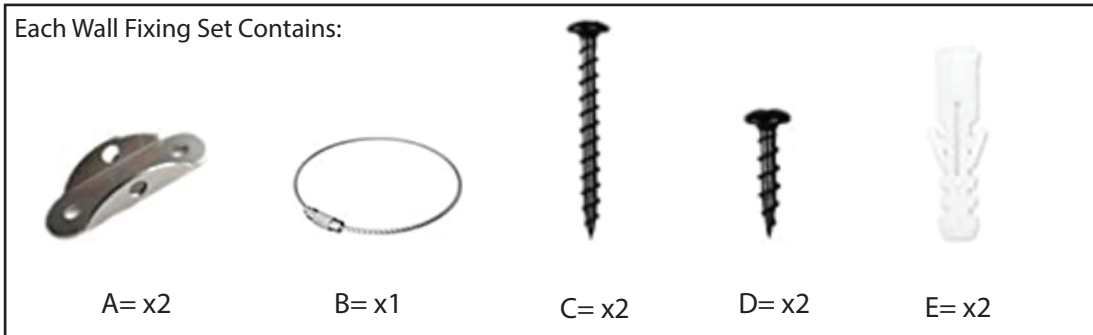


Wall Fixing your Product

KEY

Warning: Serious or fatal crushing injuries can occur from furniture tip over. To prevent this item from tipping over it must be permanently fixed to the wall. Plaster wall fixings are included with this item, other wall materials require different wall fixing devices, use fixings suitable for the walls in your home. We recommend installing 2 sets per piece of furniture for keeping the furniture in place. See next page for instructions on installing these wall fixings.

Each Wall Fixing Set Contains:



Florence Isoking Entertainment Unit
Florence Isoking Bedside Table
Florence Isoking Bookcase

= 1 Wall Fixing Set Provided
= 1 Wall Fixing Set Provided
= 2 Wall Fixing Sets Provided



Assembly Instructions

Note. Ensure fastening wall fixings to the top rear corners of your product

Consult a professional if you are not confident with installing fixing yourself.



1. Mark the screw holes with a pen or pencil



2. Drill holes into wall



3. Use a hammer to insert expansion holes



4. Attach the mount to the wall with long screws



5. Attach mount to your Isoking product with screws



6. Pass the cable through both mount holes and fasten the connector