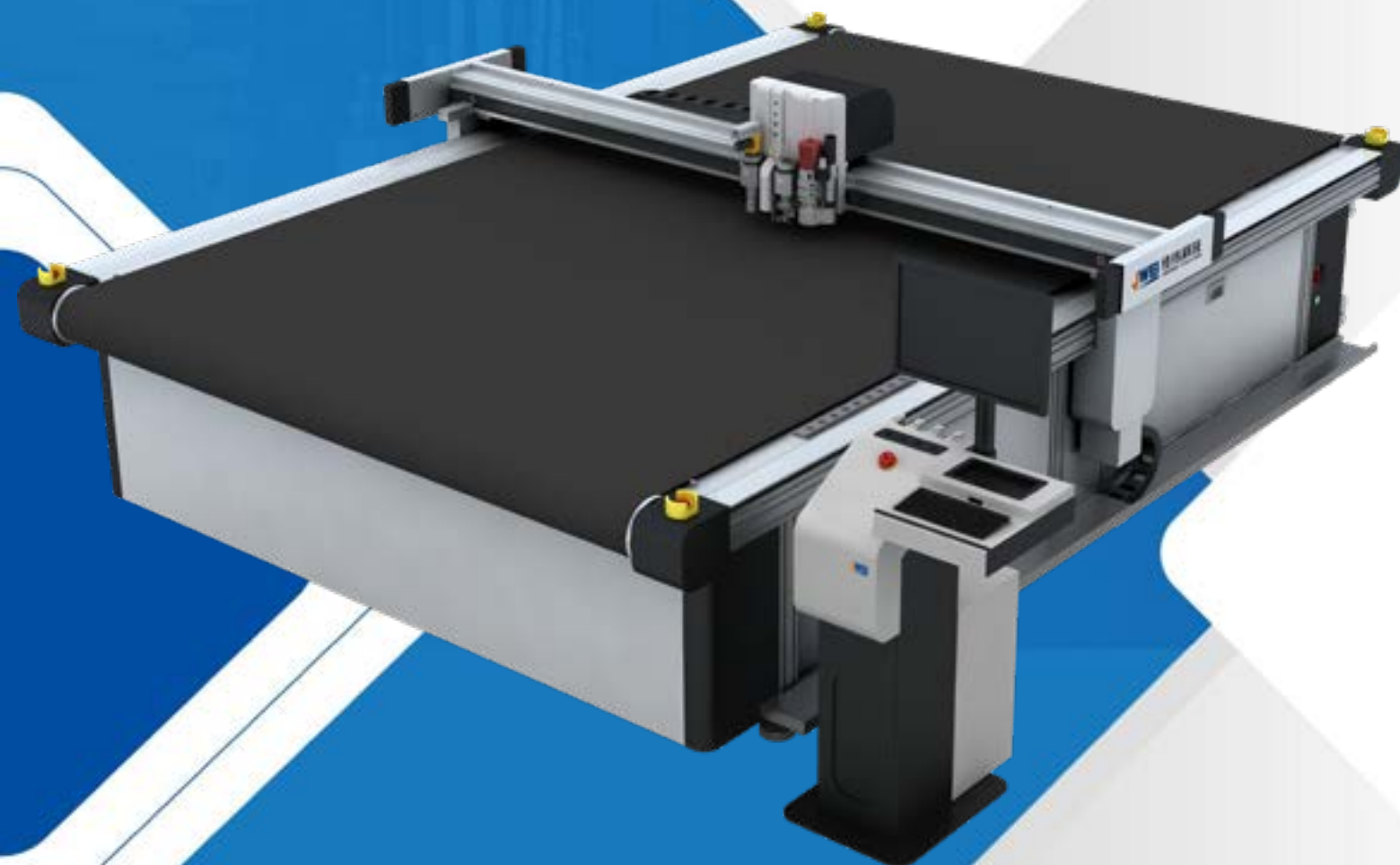




J-CUTTER Pro

TB08II-3121-PM

Large format digital cutting system



01/ High end level for industrial production

Powerful 1800W router tool ensures top performance of milling ability.

02/ Large format cutting system

Up to 3.2m width, table length can be customized.

03/ Detachable table

The cutter can be detached into parts to enter limited entrance.

04/ Precision gear & rack transmission system

Min. 3mm diameter cutting ability.

05/ DMC motion controller

Max. 1G acceleration & Max.1200mm/s speed, ± 0.05 mm precision.



Find us on Wechat



Triple cutting tools holders
Plotting pen holder
Laser positioning pointers

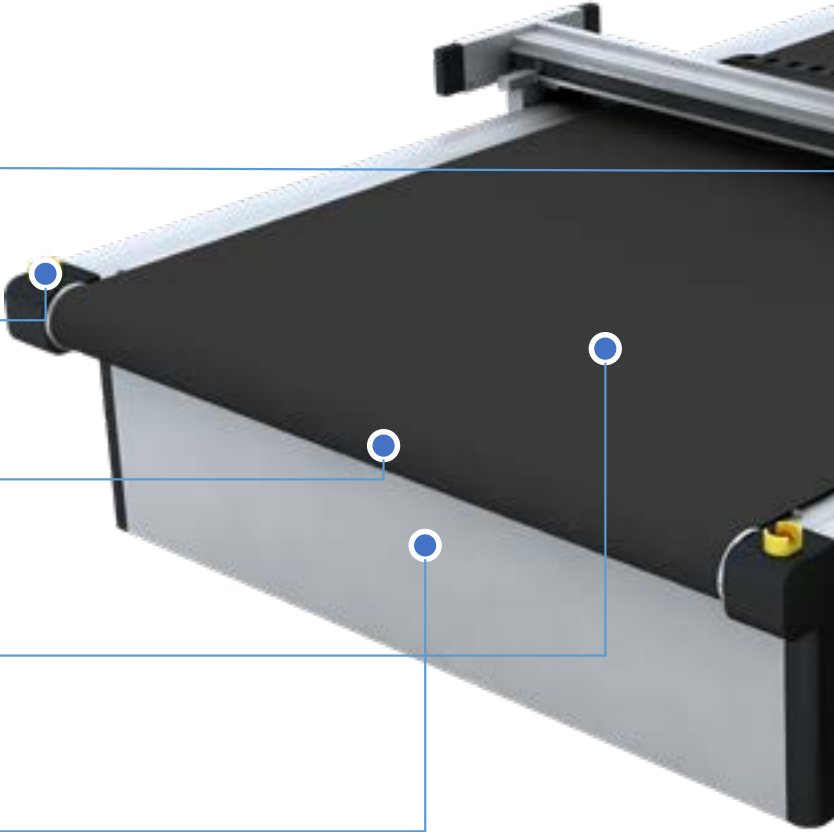
Basler CCD camera

Emergency stop buttons

4mm imported conveyor belt

Individual vacuum zones

DMC control system



Gear & rack transmission system

Compatible with:

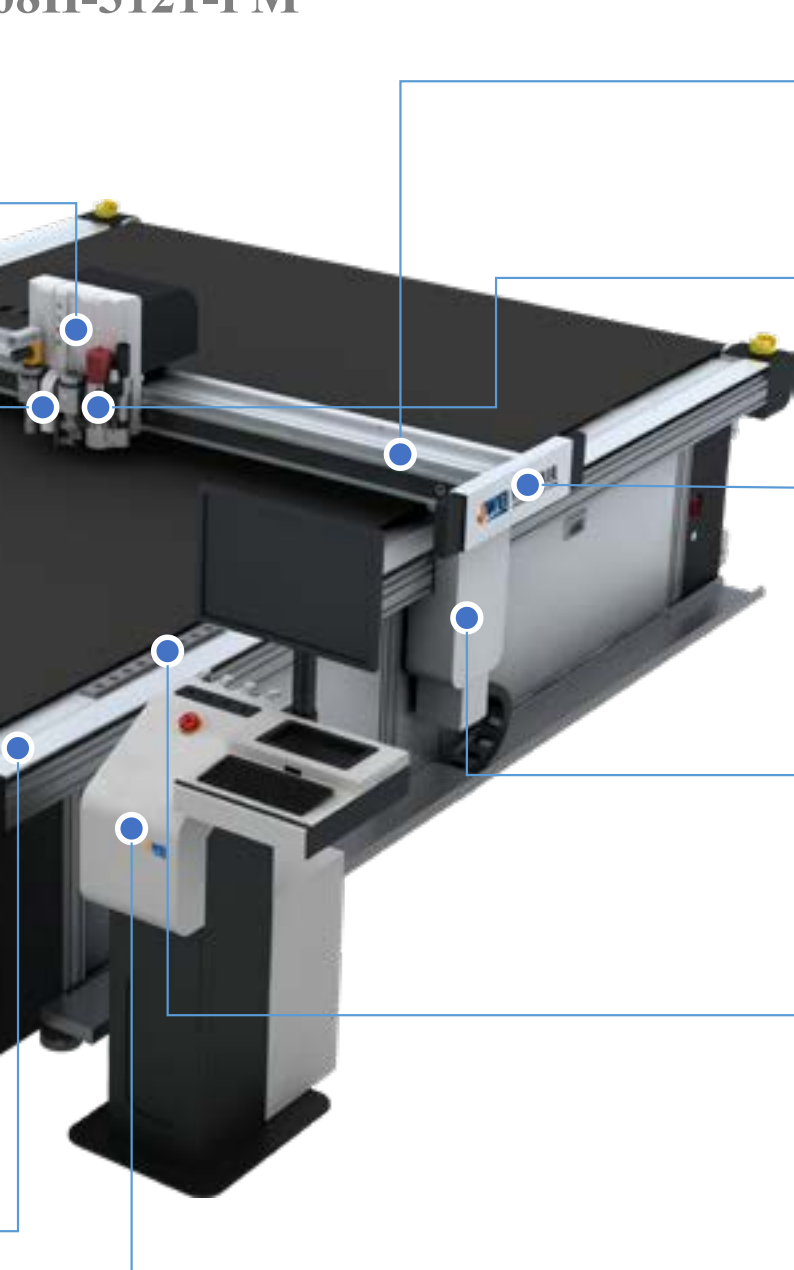
Officially support by:



-Cutter Pro

www.jweicut.com

08II-3121-PM



Enhanced carbon fiber gantry of aviation level strength.

1800W router tool holder

Infrared sensor
Mechanical collision-prevention device

Robust & Durable aluminum alloy profile(ITEM) butt-end joint frame, detachable assembly

1800W Router includes ATC
* Auto Router change slot

Control station
* Dedicated computer included

soft

Included:



PC



Air compressor



Vacuum pump

Applications



Signage



POP/POS



Corrugated packaging



Home decoration



Textile



Automotive



Floor mat



Road sign

Parameters

J-CUTTER Pro	TB08II-2516-PM	TB08II-3516-PM	TB08II-3121-PM
Effective Cutting Area.	2500x1600mm	3500x1600mm	3100x2100mm
Cutting Module	Triple tools cutting head (*One for 1800W router tool) Pen holder, CCD camera slot, Laser locating pointer		
Tools Compatibility	All Jwei cutting tools		
Max. Moving Speed	1200mm/s		
Max. Cutting Speed	1000mm/s		
Acceleration	1G	0.6G	0.6G
Gantry	Aviation level Aluminum profiles	Aviation level Aluminum profiles	Carbon fiber
Max. Cutting Thickness	50mm		
Repeat Precision	±0.05mm		
Safety Device	Infrared sensor, mechanical collision-prevention device		
Material Fixing Method	Energy-efficient 6 individual vacuum zones		
Transmission System	Precision gear & rack		
Servo System	9 axis servo drive system		
Control System	DMC		
Physical Frame	Robust & Durable Aluminum Alloy Profile (ITEM) butt-end joint frame Detachable assembly		
Interface	Ethernet port		
Software	JWMS, QR Code system included		
File Format	DXF、PLT、PDF、HPGL、XML、CF2、AAMA、NC、EPS		
Rated Power	11 KW	13 KW	13 KW
Power Supply	AC 3PH 380V ± 10%, 50/60Hz		
Noise Range	<75 dB ~ 90 dB		
Operating Environment	10-35 °C, 10-80% humidity		
Machine Dimension	3700*2500*1200mm	4380*2230*1230mm	3950*3000*1300mm

JWEI reserves the rights of final explanation, no further information for any exchanging.