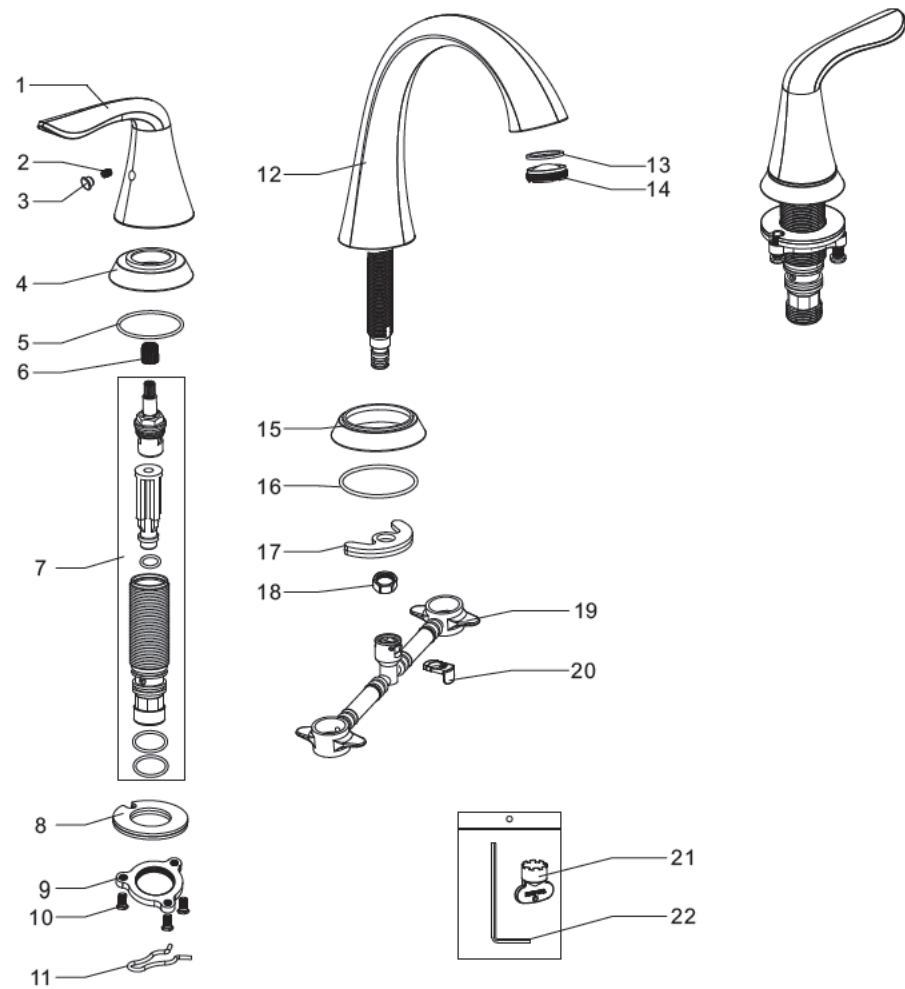
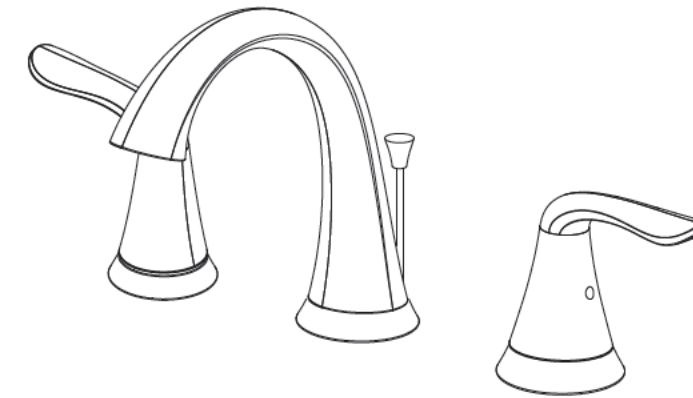


Step 4 Parts list



NO.	PART NAME
1	Handle
2	Screw
3	Index
4	Handle flange
5	O ring
6	Adapter
7	Water valve assembly
8	Gasket assembly
9	Lock nut
10	Screw
11	Clamp spring
12	Spout
13	Washer
14	Aerator
15	Base
16	O ring
17	Gasket assembly
18	Lock nut
19	Flexible hose
20	Plastic lock ring
21	Aerator wrench
22	Allen key

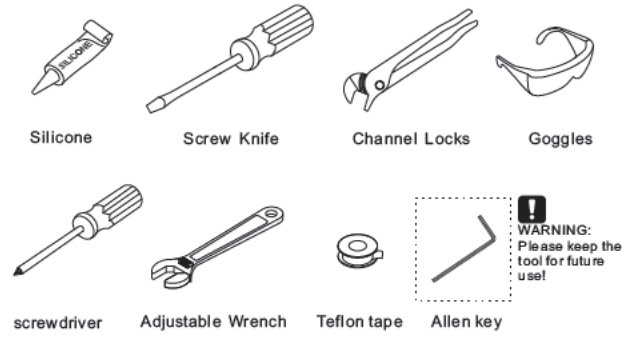


WIDE SPREAD LAVATORY FAUCET



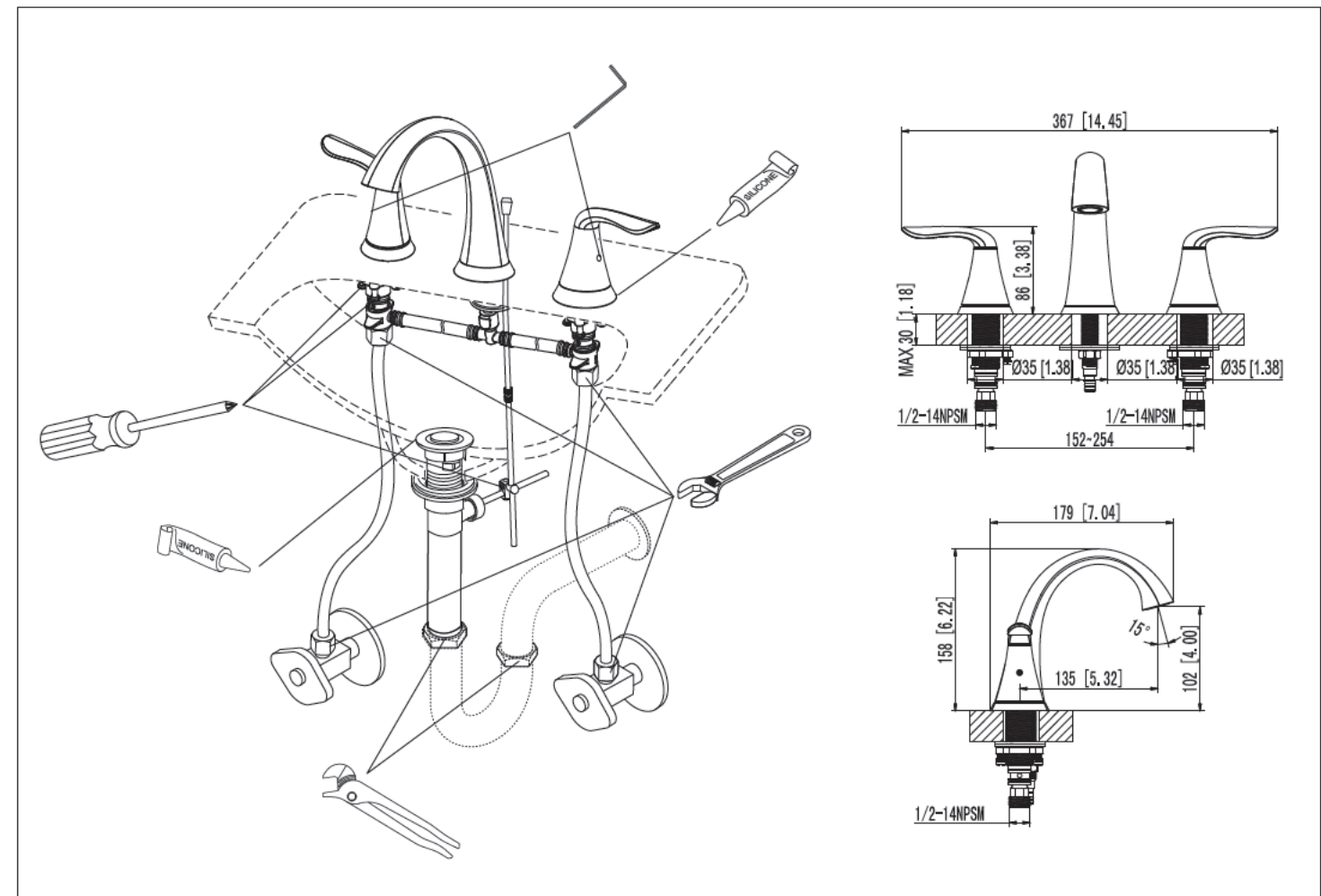
ASME A112.18.1/CSA B125.1

RECOMMENDED TOOLS



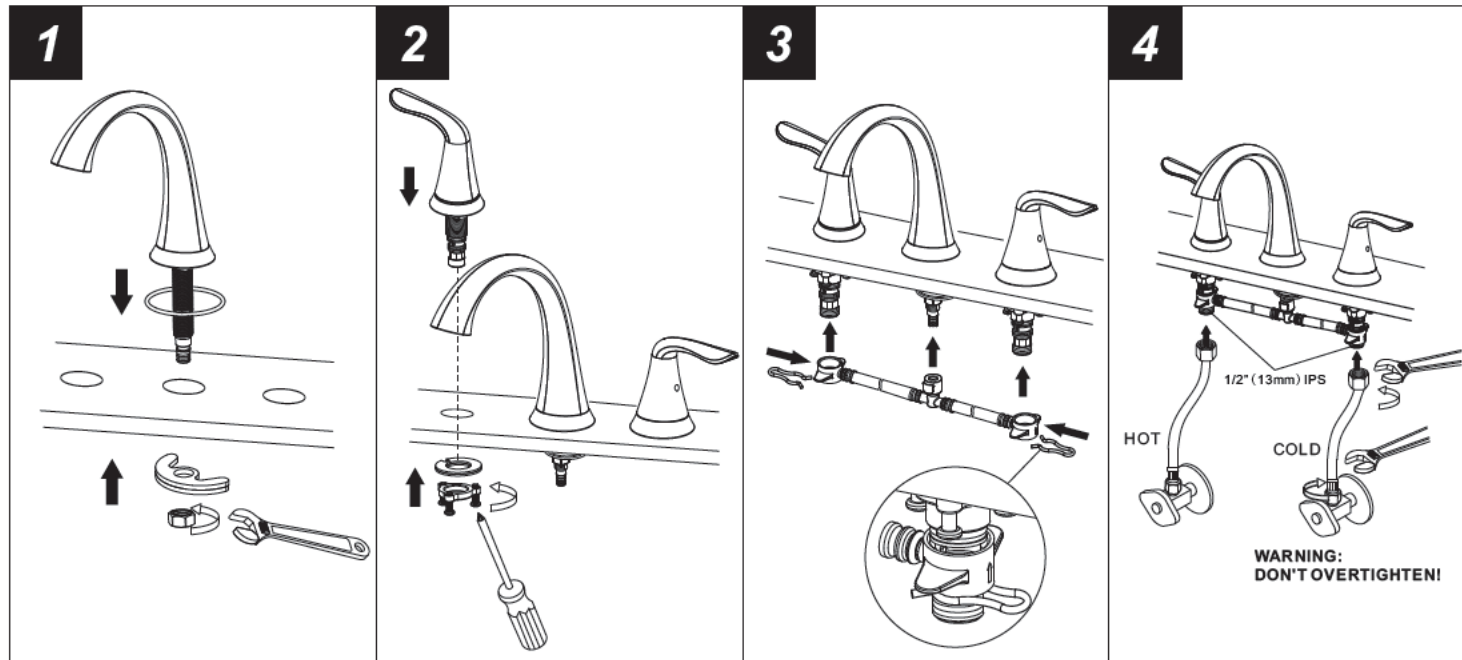
Attention:
for easy installation, you will need:
1. To read all the installation instruction completely before beginning.
2. To read all the warning, attention and maintenance information.
3. To purchase the proper supply lines.

The tools might be applied to the following places:



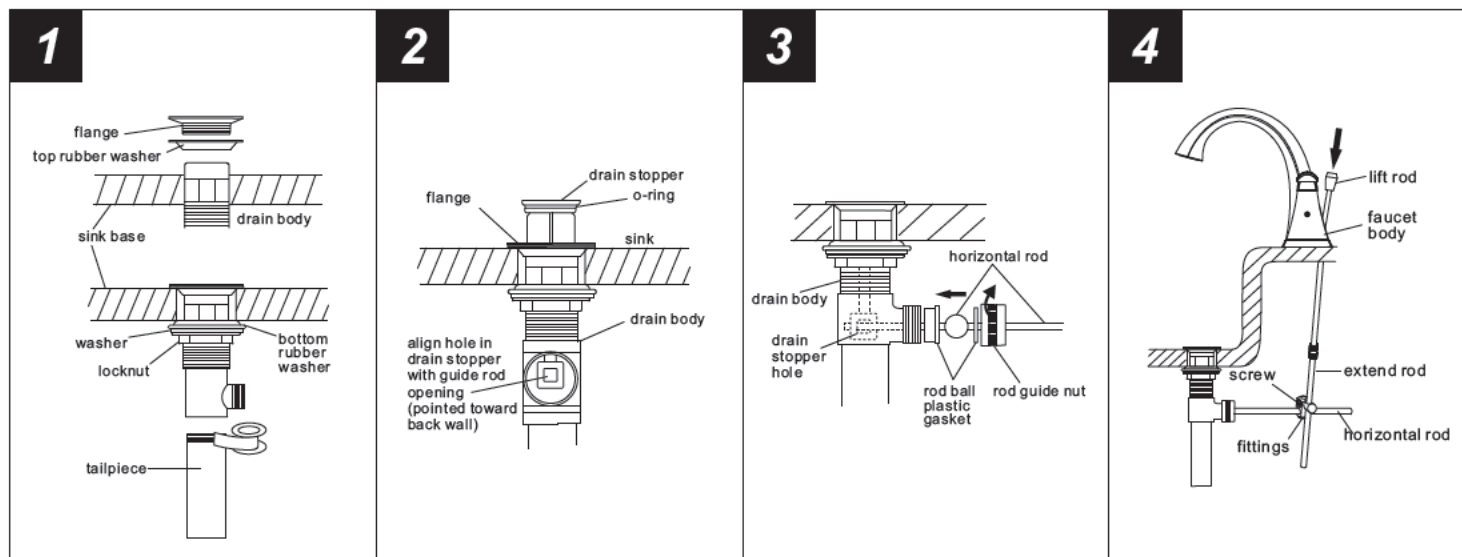
Step 1 Faucet and pop-up installation

Faucet installation



1. Position the body with o-ring in the installation surface as shown and secure it with gasket assembly and tighten the lock nut with adjustable wrench.
2. Position the handle in installation surface as shown and secure it with fixing kit and tighten the screw with screwdriver. Repeat the above steps for the other handle.
Caution: please be caution with the position of hot and cold handles.
3. Position the flexible hose as shown and fix it to the faucet as shown with clamp spring.
4. Connect the water supply lines to faucet and water supply valve and tighten it with wrench.
Warning: The water supply valve mentioned above are not included, please purchase them from plumbshop.

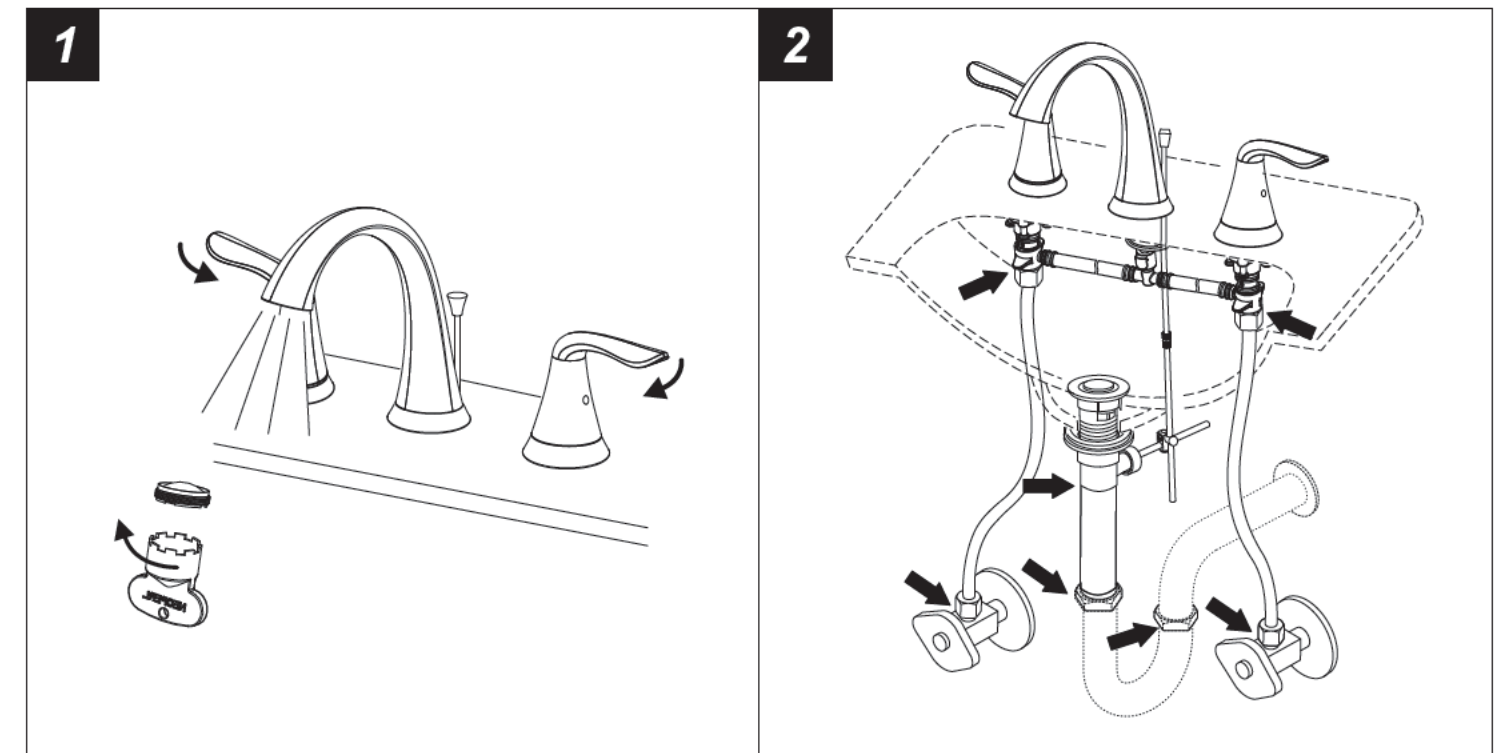
Pop-up installation



1. Remove pop-up drain stopper, and flange with top rubber washer for pop-up assembly. Insert drain body from underneath of sink drain hole. Replace flange and top rubber washer back to drain body. Tighten flange as far as possible. Remove and put silicone along bottom of. (Optional) Slide bottom rubber washer on drain body up against bottom of sink. Tighten washer and locknut firmly against base for tight seal. Remove tailpiece from drain body, add Teflon tape, replace tailpiece.
2. Replace pop-up drain stopper to drain body with o-ring in place, and align stopper hole with guide rod opening.
3. Remove rod guide nut and rod ball plastic gasket. Insert horizontal rod into drain body and through hole in drain stopper. Replace rod guide nut with rod ball plastic gasket and tighten it.

4. Insert lift rod through hole on faucet body. Connect extend rod to lift rod. Attach horizontal rod to extend rod using fittings, tighten screw.

Step 2 Checking and testing



1. Remove the aerator by aerator wrench. Turn the faucet handle all the way on, turn on hot and cold water supply and flush water lines for one minute. Reinstall aerator by aerator wrench.
2. Check all connections at arrows for leaks, re-tighten it if necessary.

!
BUT DON'T OVERTIGHTEN

Step 3 Cleaning and care

Daily cleaning and care are required in order to keep the product shining and properly working.

- 1 Clean it with water and dry it with soft cloth.
- 2 Clean the product with gentle liquid or glass cleaner.
- 3 Don't use acid cleaner.
- 4 Don't clean with abrasive material, abrasive paper or knife.