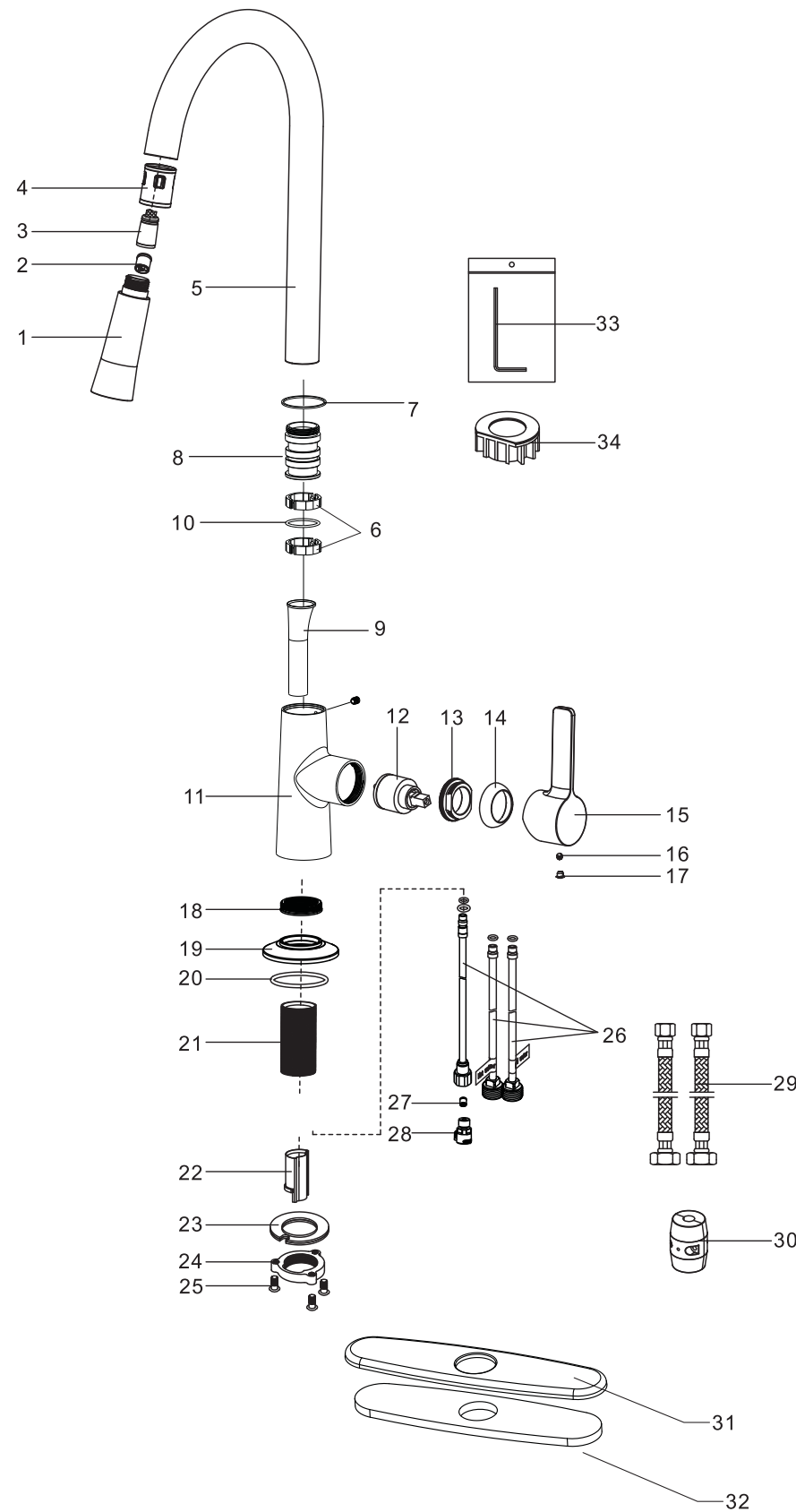
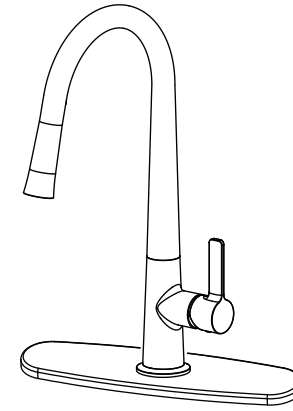


Step 4 Parts list



| NO. | PART NAME |
|-----|------------------------|
| 1 | Spray head |
| 2 | Check valve |
| 3 | Hose |
| 4 | Hose sleeve |
| 5 | Spout |
| 6 | Ring |
| 7 | O-ring |
| 8 | Connector |
| 9 | Protective sleeve |
| 10 | O-ring |
| 11 | Body |
| 12 | Cartridge |
| 13 | Cartridge lock nut |
| 14 | Trim cap |
| 15 | Handle |
| 16 | Screw |
| 17 | Index |
| 18 | Connector |
| 19 | Base |
| 20 | O-ring |
| 21 | Threaded shank |
| 22 | Protective sleeve |
| 23 | Gasket assembly |
| 24 | Lock nut |
| 25 | Screw |
| 26 | Copper tube |
| 27 | Check valve |
| 28 | Quick connect assembly |
| 29 | Flexible hose |
| 30 | Weight |
| 31 | Deck plate |
| 32 | Gasket |
| 33 | Allen key |
| 34 | Plastic base |

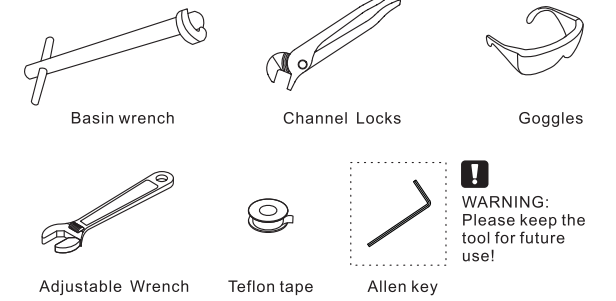


SINGLE HANDLE KITCHEN FAUCET



ASME A112.18.1/CSA B125.1

RECOMMENDED TOOLS

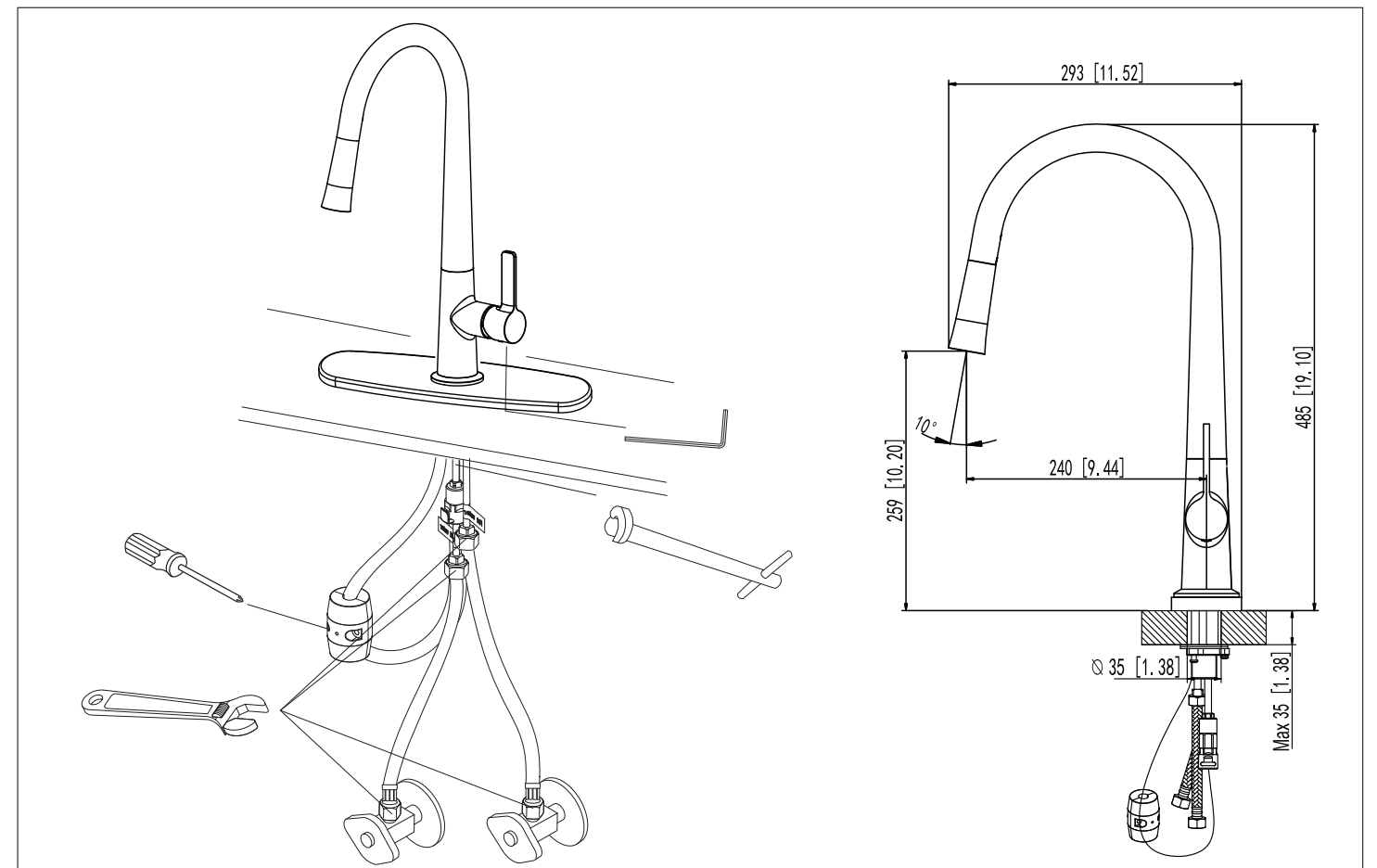


WARNING:
Please keep the tool for future use!

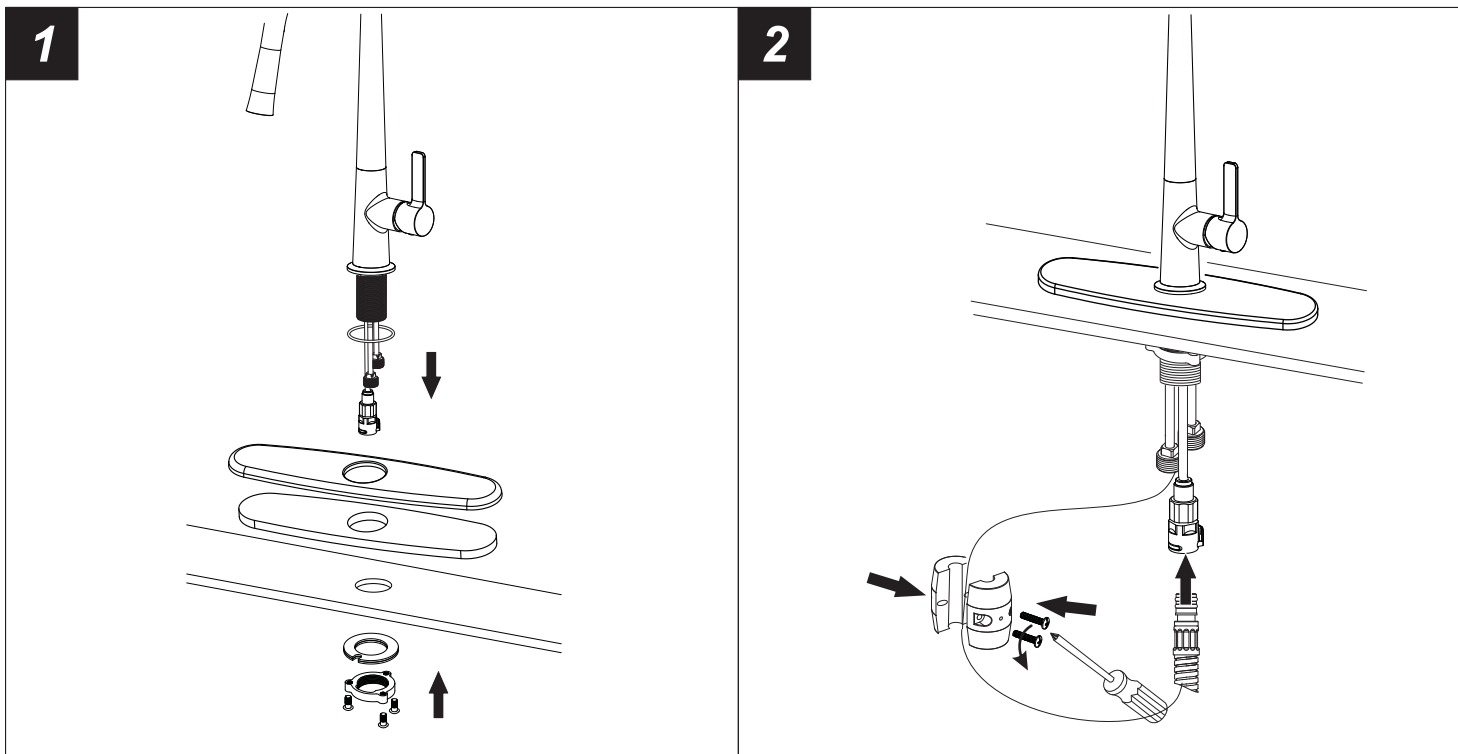


Attention:
for easy installation, you will need:
1. To read all the installation instruction completely before beginning.
2. To read all the warning, attention and maintenance information.
3. To purchase the proper supply lines.

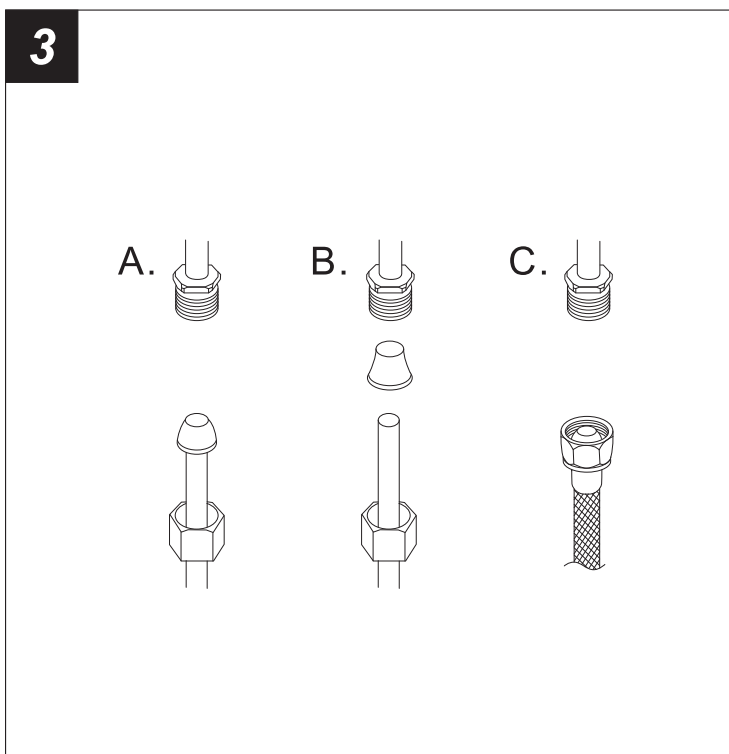
The tools might be applied to the following places:



Step 1 Faucet installation

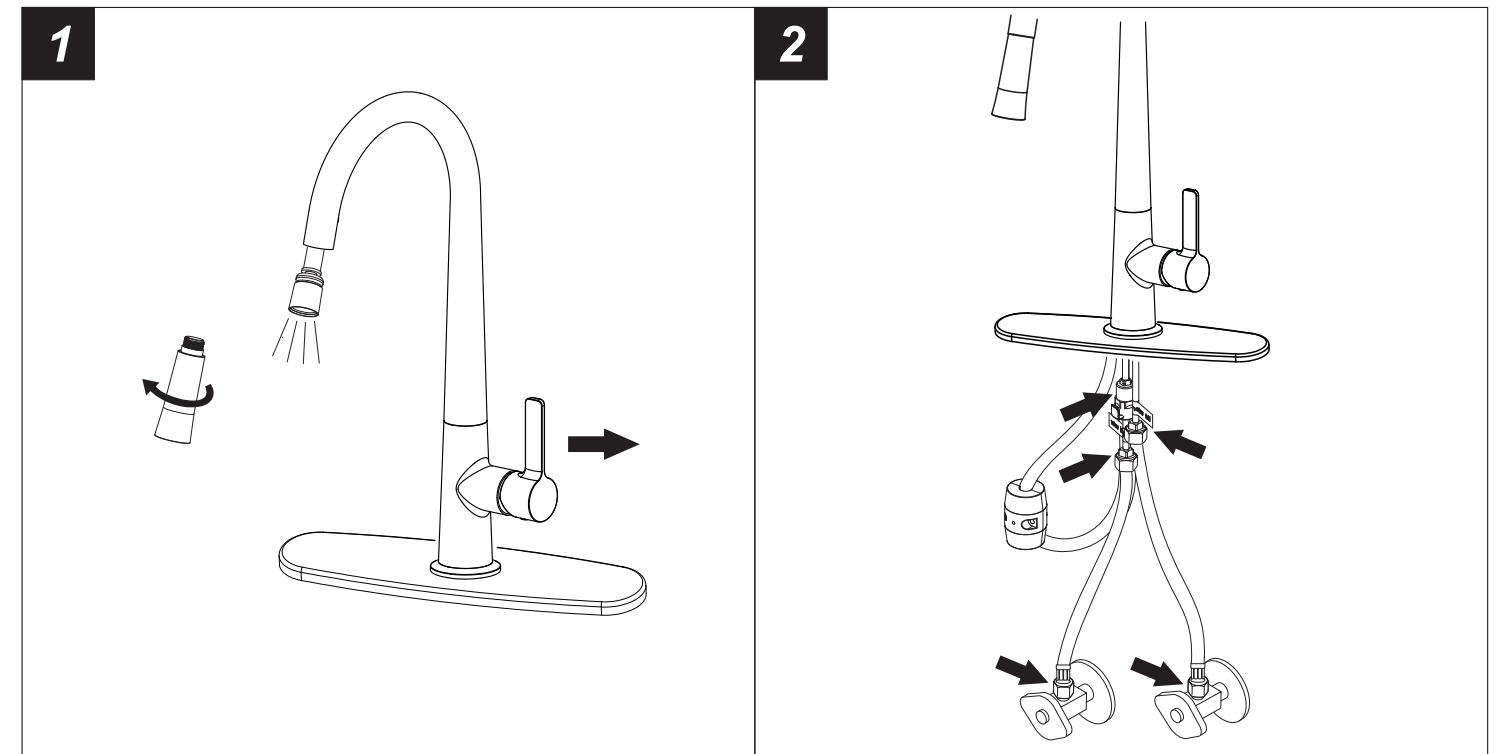


1. Position the faucet in order on the counter top as shown. **Don't forget the O-ring.** Assemble gasket assembly and lock nut to faucet threaded sleeve by hand and tighten the screws with screwdriver.
2. Connect the shower hose to quick connect. **CAUTION: MAKE SURE THE HOSE IS PROPERLY ENGAGED AND SECURED IN THE QUICK CONNECT.** Dis-assemble the weight and put it on the shower hose. Then fix screws by screw driver.



3. Connect to water supply lines with either:
(A) 3/8" O.D. Copper tubing (ball nose risers with the coupling nuts) or;
(B) 3/8" Copper tubing (no ball) with supplied tube head interior connector or;
(C) IPS faucet connectors (1/2").

Step 2 Checking and testing



1. Remove the shower by hand. Turn the faucet handle all the way on, turn on hot and cold water supply and flush water lines for one minute. Reinstall shower by hand.
2. Check all connections at arrows for leaks, re-tighten it if necessary.



BUT DON'T OVERTIGHTEN

Step 3 Cleaning and care

Daily cleaning and care are required in order to keep the product shining and properly working.

- 1 Clean it with water and dry it with soft cloth.
- 2 Clean the product with gentle liquid or glass cleaner.
- 3 Don't use acid cleaner.
- 4 Don't clean with abrasive material, abrasive paper or knife.