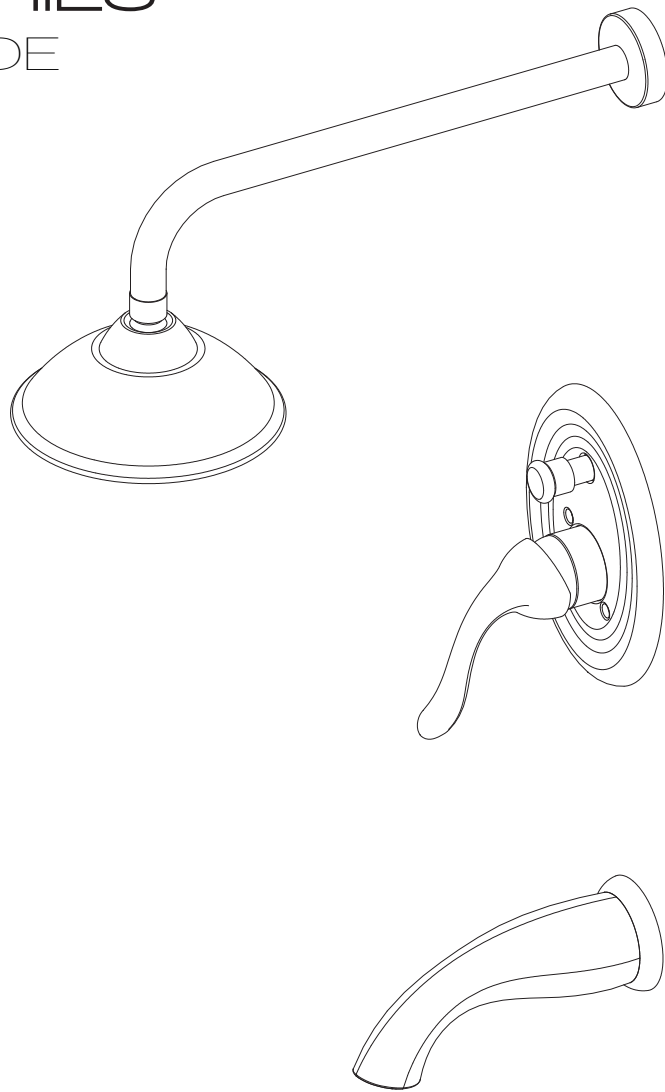




ANZZI™

ASSAI SERIES

INSTALL GUIDE



Model#
SH-AZ036

PERFECTION IS OUR TRADITION™

TABLE OF CONTENTS

Parts List	Pg. 1
Before You Start	Pg. 2
Spec Drawing	Pg. 3
Installation	Pg. 4
Care & Maintenance	Pg. 11
Warranty	Pg. 12
Registration	Final Page

YOUR REVIEWS MATTER!



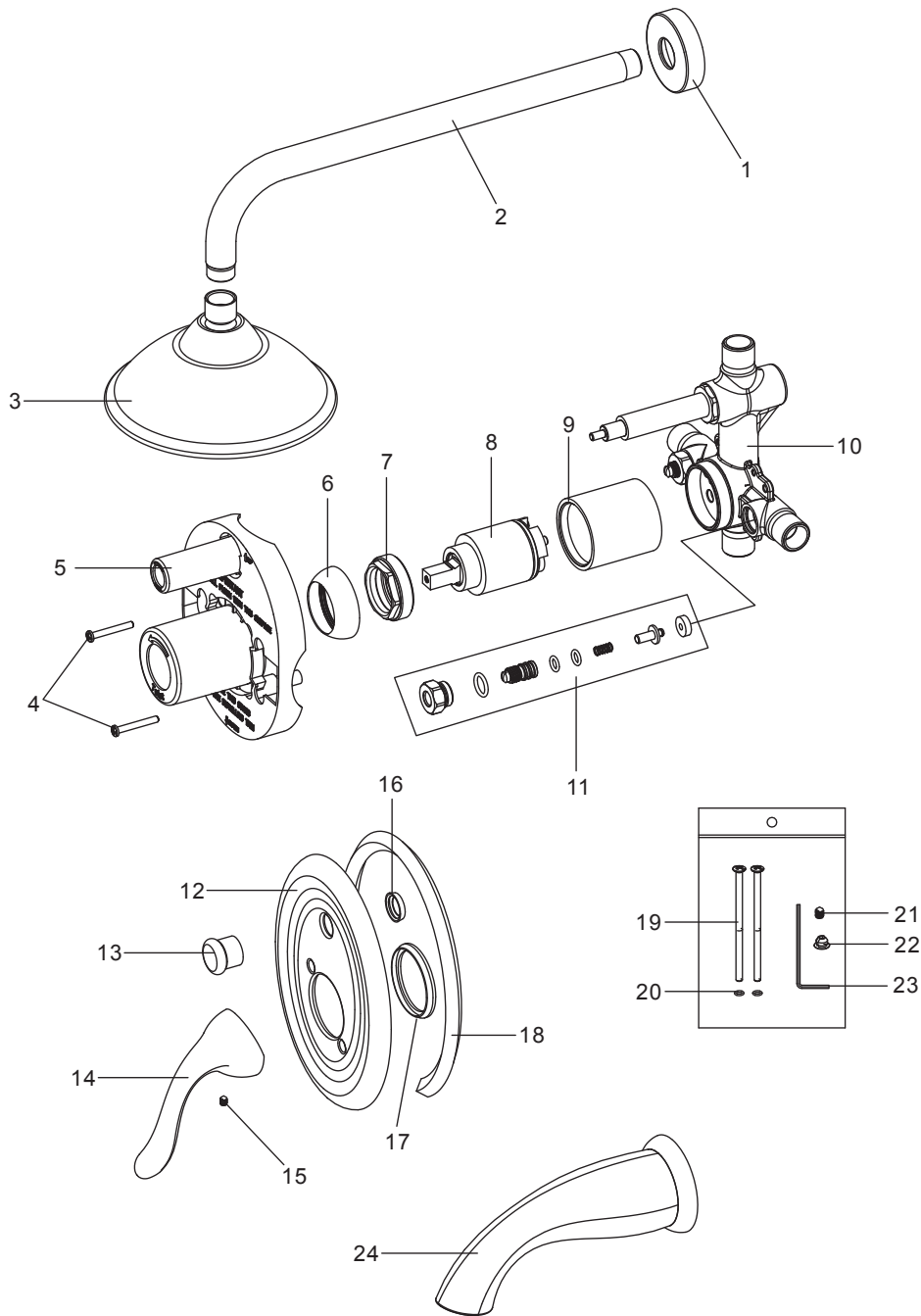
The ANZZI™ Family thanks you for your purchase and hopes you enjoy your very own ANZZI product for years to come! In the meantime let us know about your experience? We would love to hear your thoughts from the packaging to the quality and function of the product.

Leave a review on www.ANZZI.com/reviews and let everyone know how satisfied you are with ANZZI!

Also, we humbly request submitting as many pictures as possible along with your review. Millions of shoppers will want to know about your experience with our products. Don't just tell but show, too!

For more information please call 1-844-44-ANZZI
or email us at support@ANZZI.com

PARTS LIST



NO.	PART NAME
1	Flange
2	Shower arm
3	Shower head
4	Screw
5	Protect cover
6	Trim cap
7	Cartridge locknut
8	Cartridge
9	Sleeve
10	Body
11	Check valve
12	Ttrim plate
13	Knob
14	Handle
15	Screw
16	Joint
17	Joint
18	Joint
19	Screw
20	O-ring
21	Screw
22	Index
23	Allen key
24	Spout

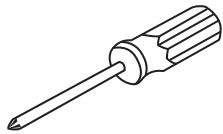


ASME A112.18.1/CSAB125.1

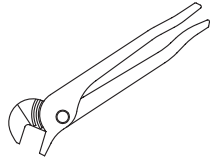
PERFECTION IS OUR TRADITION™

BEFORE YOU START

Recommended Items



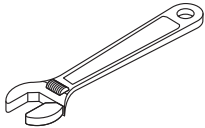
Screwdriver



Channel Locks



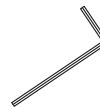
Goggles



Adjustable Wrench



Teflon tape



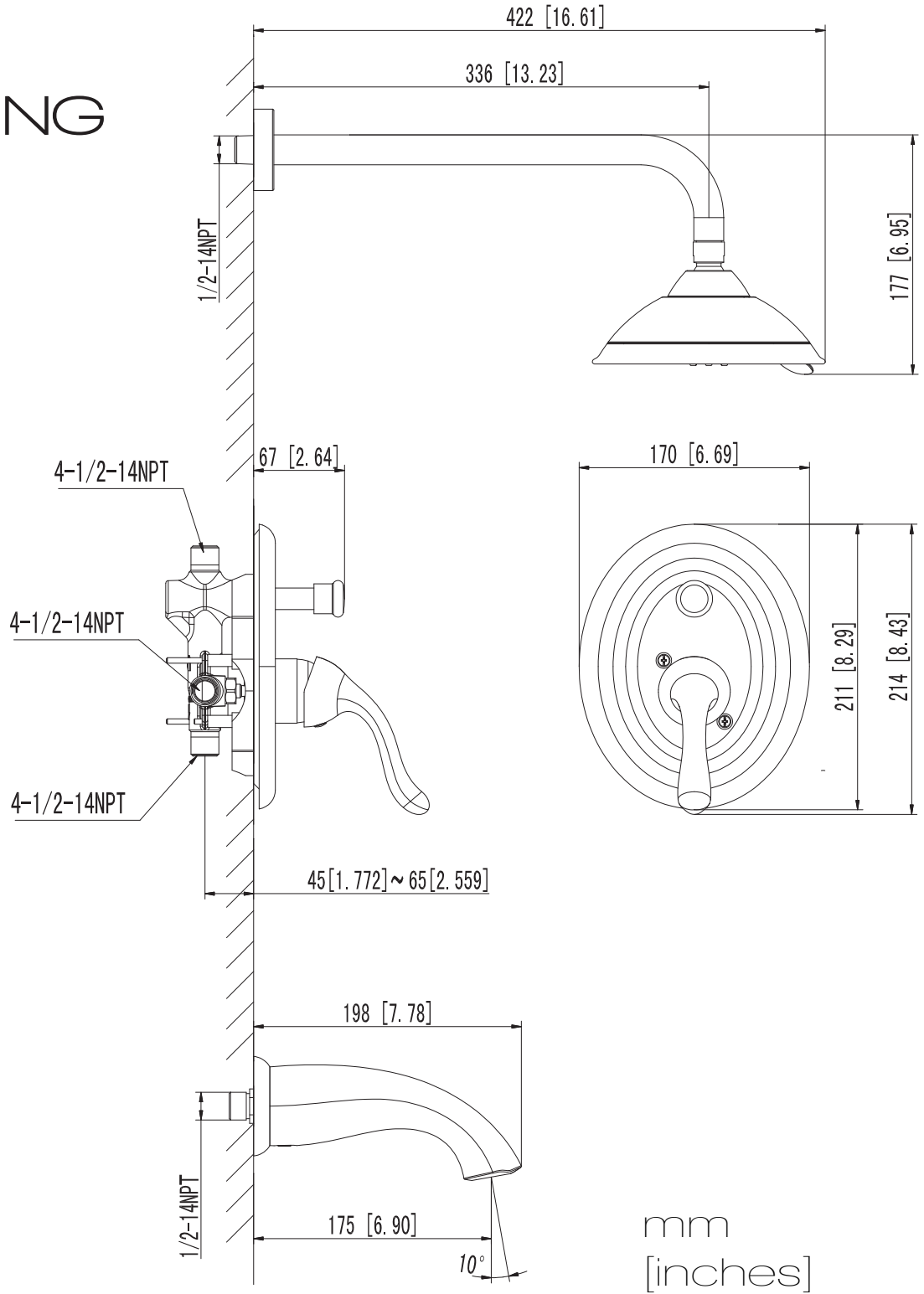
Allen key

ATTENTION: Please read all instructions thoroughly including all warnings, attentions and notes before beginning installation.

For any questions or concerns contact our dedicated technical support team at 1-844-44-ANZZI.

PERFECTION IS OUR TRADITION™

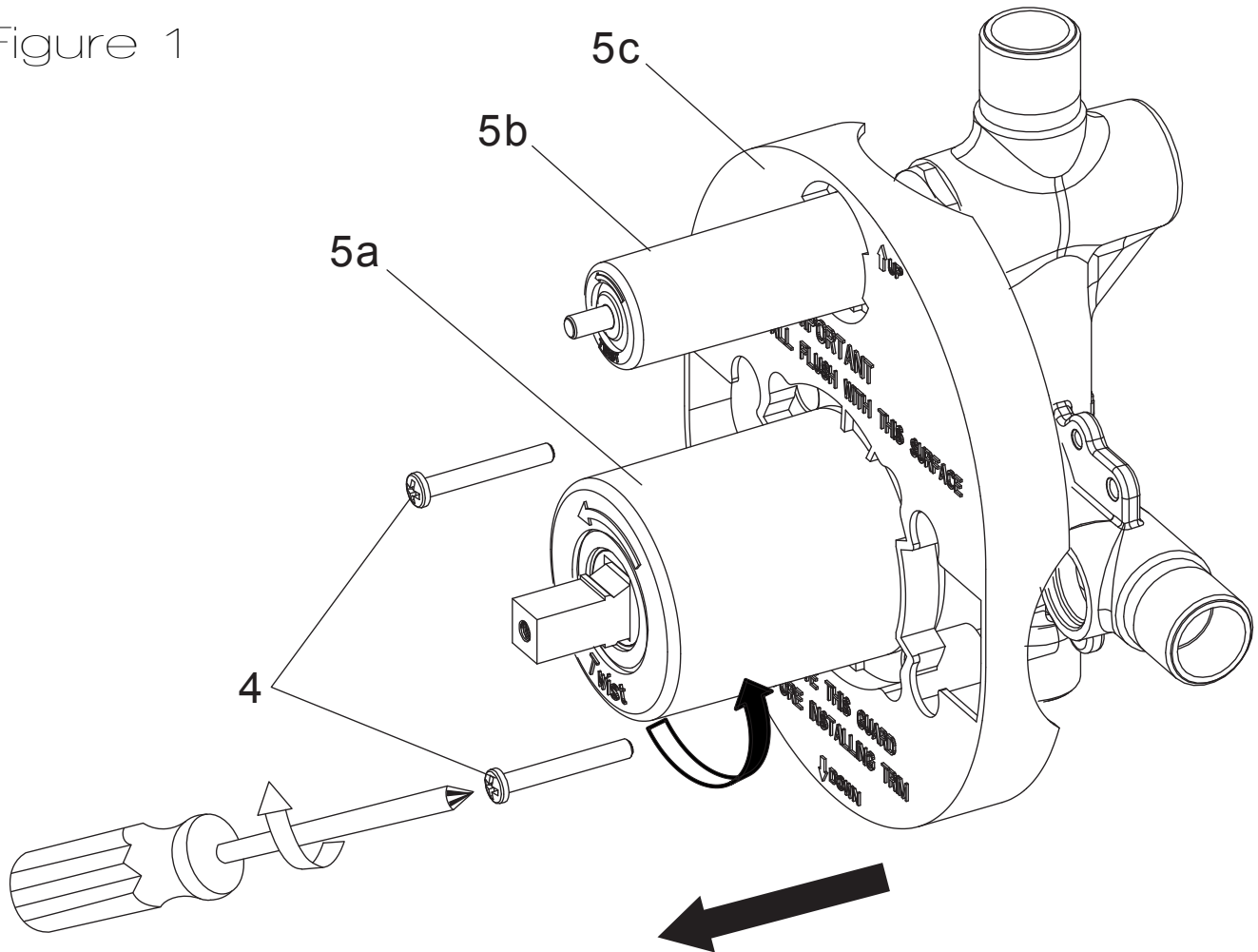
SPEC DRAWING



PERFECTION IS OUR TRADITION™

INSTALLATION

Figure 1

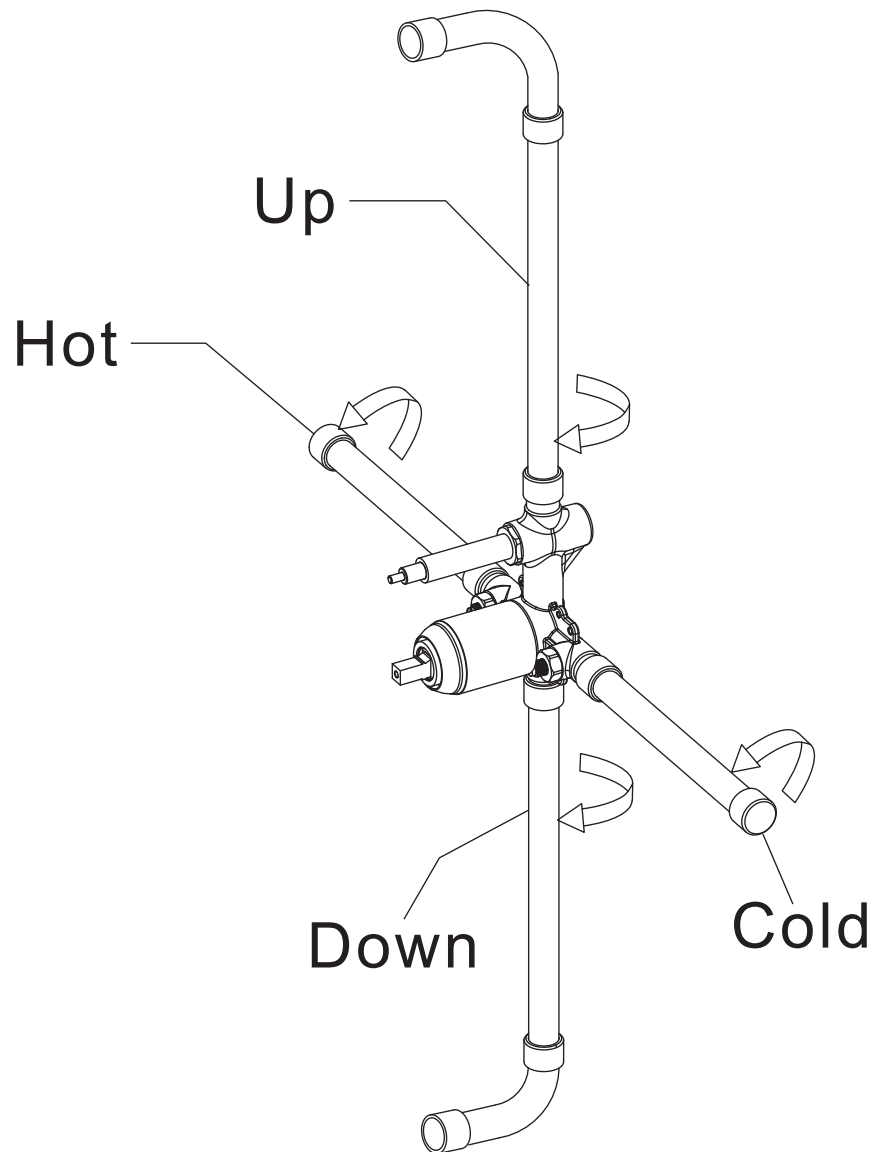


- Step 1A** Remove the protective covers (5a) and (5b) by turning counter clockwise and sliding them out.
- Step 1B** Do not remove protective cover (5c) until you make sure the cover is flush with the finished wall.
- Step 1C** Using a Philips screwdriver, unscrew and remove the two screws (4).
- Step 1D** Now remove the remaining protective cover (5c).

PERFECTION IS OUR TRADITION™

INSTALLATION

Figure 2



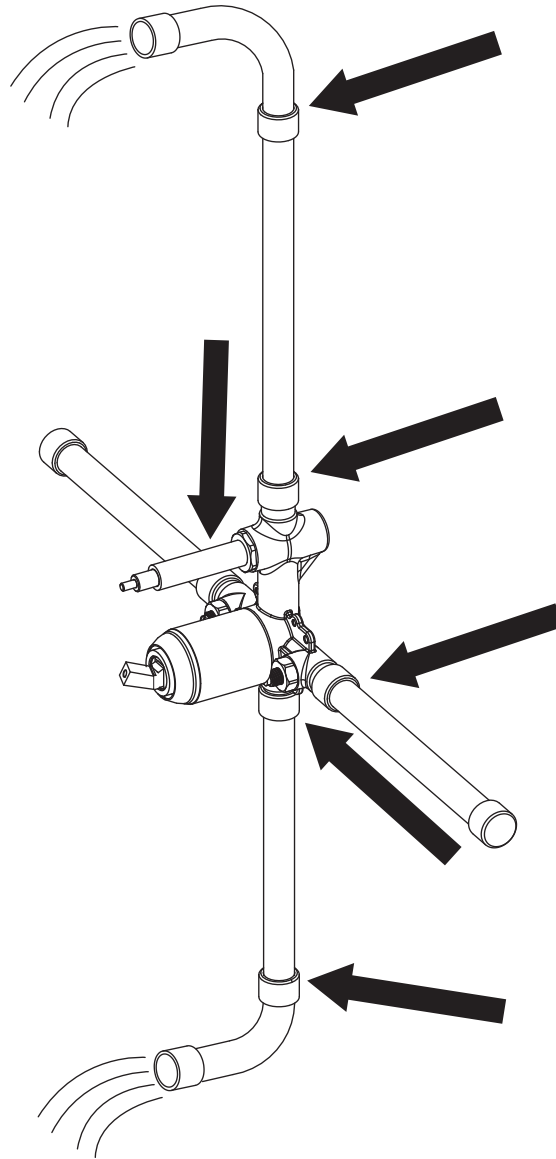
Step 2A Connect all plumbing lines to the faucet valve as shown.

Step 2B Make sure the hot and cold supply lines are connected to the pertaining sides.

PERFECTION IS OUR TRADITION™

INSTALLATION

Figure 3



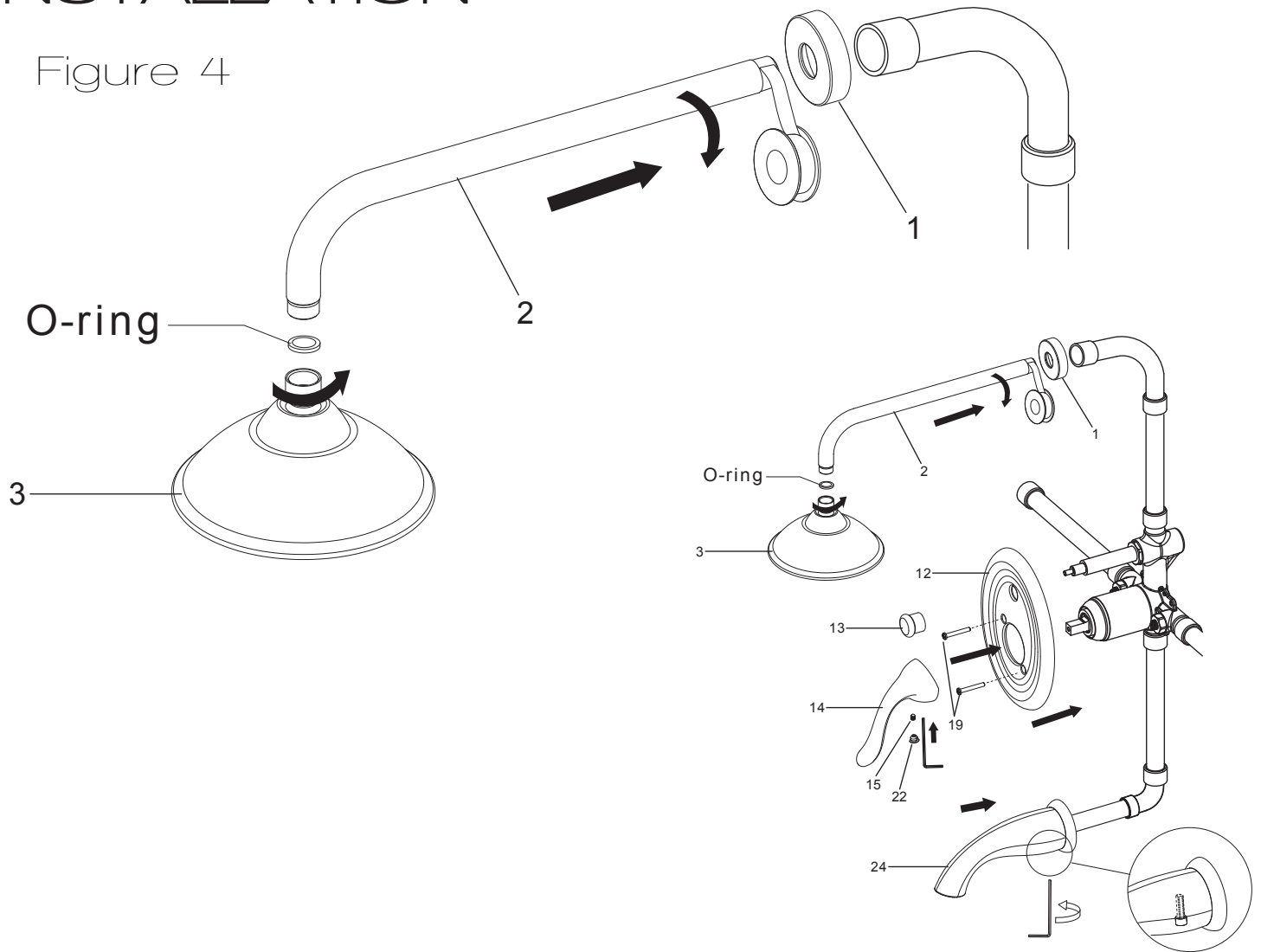
Step 3A Turn on water and allow it to run for 1-2 minutes.

Step 3B Check all connections and confirm there are no leaks before proceeding.

PERFECTION IS OUR TRADITION™

INSTALLATION

Figure 4



Step 4A Apply Teflon tape to the shower arm (#2) then place shower arm flange (#1) on shower pipe and screw shower arm to the pipe.

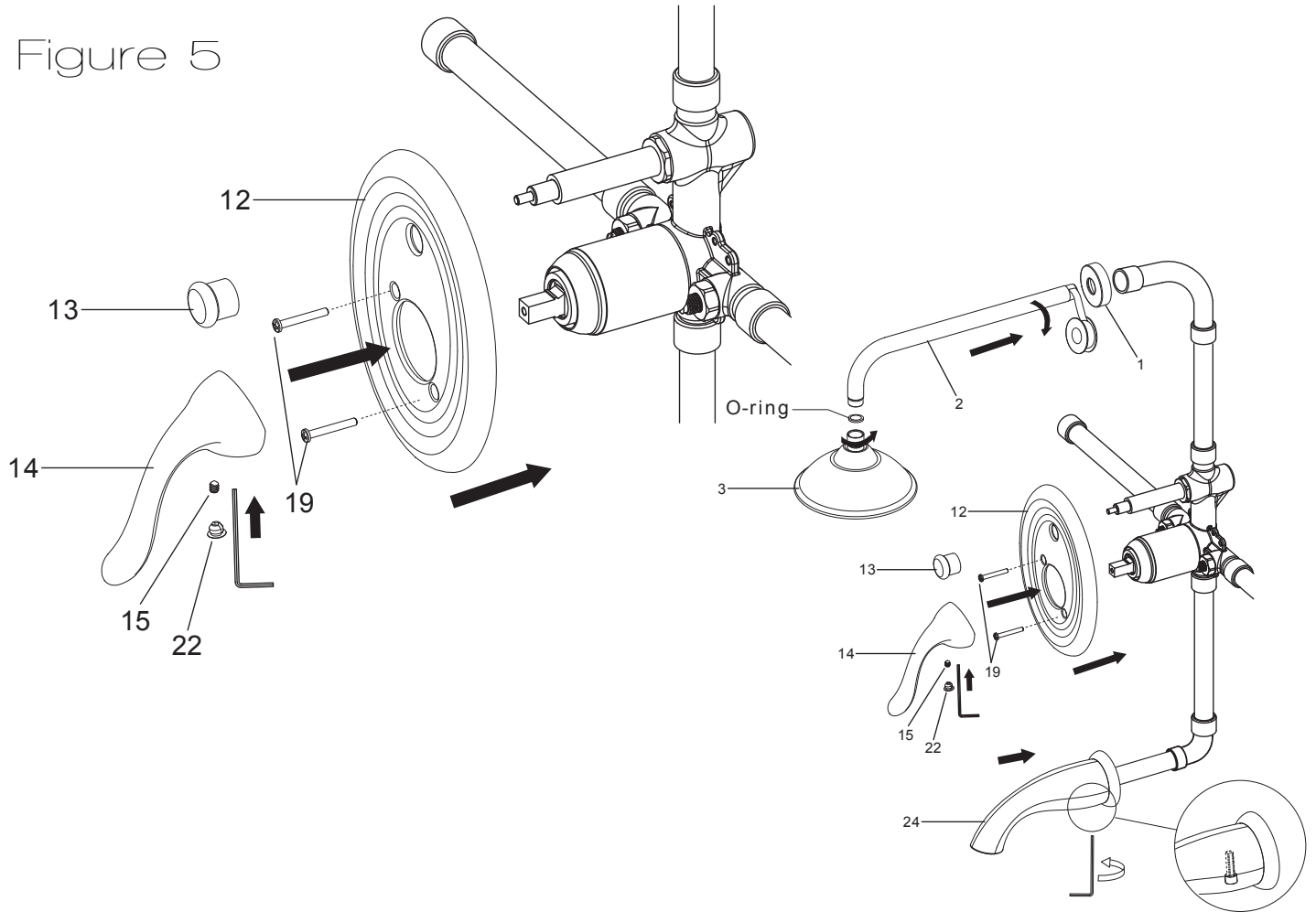
Step 4B After shower arm is in place screw the shower head (#3) onto the arm.

Important: Make sure the O-ring is placed in between the shower arm (#2) and the shower head (#3).

PERFECTION IS OUR TRADITION™

INSTALLATION

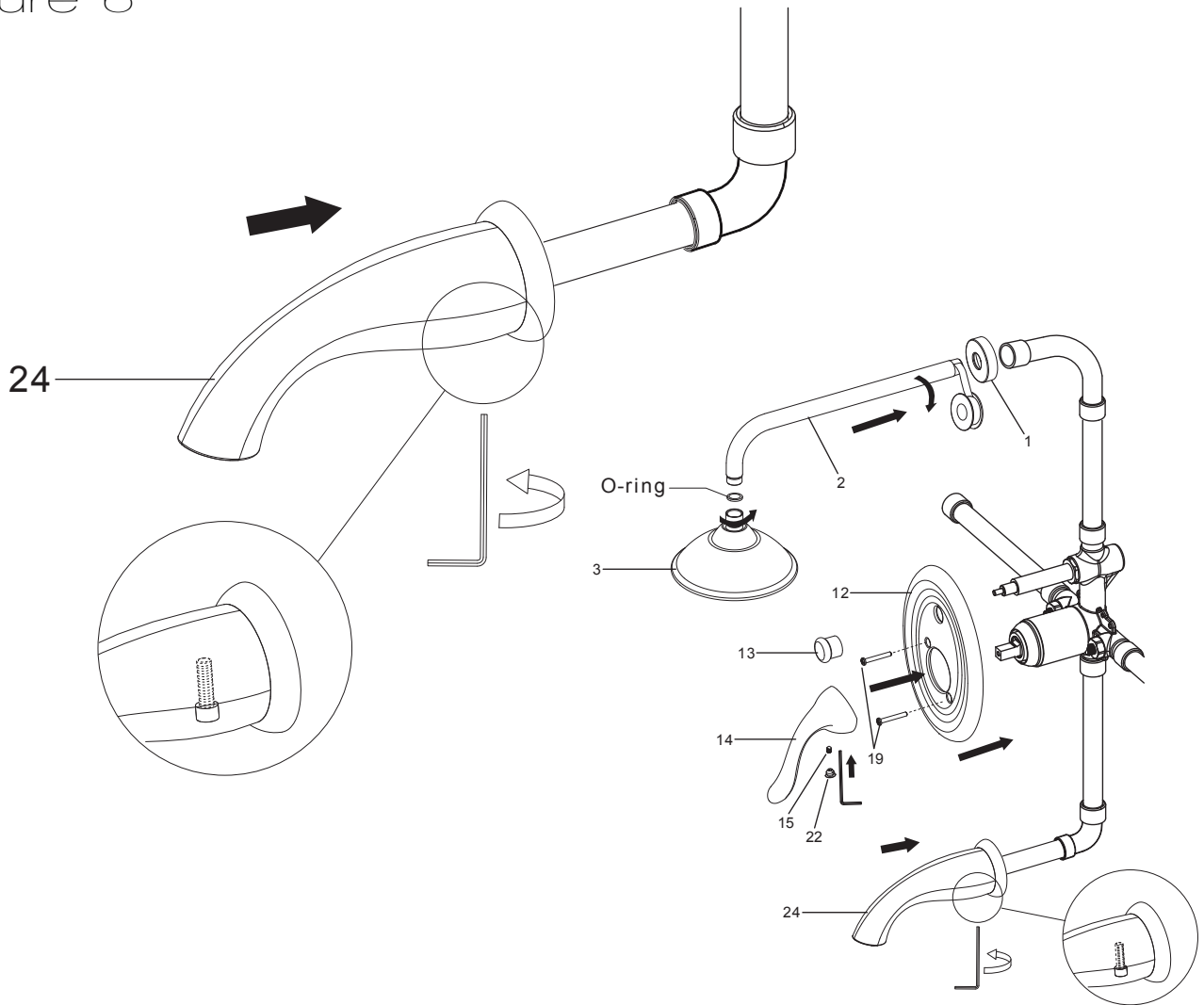
Figure 5



- Step 5A** Put the trim plate (#12) through the faucet valve then fasten it with screws (#19) and tighten using screw driver.
- Step 5B** Screw on the diverter knob (#13) to the valve.
- Step 5C** Place the mixing valve handle (#14) secure with set screw (#15).
- Step 5D** Finally, insert the index (#22).

INSTALLATION

Figure 6

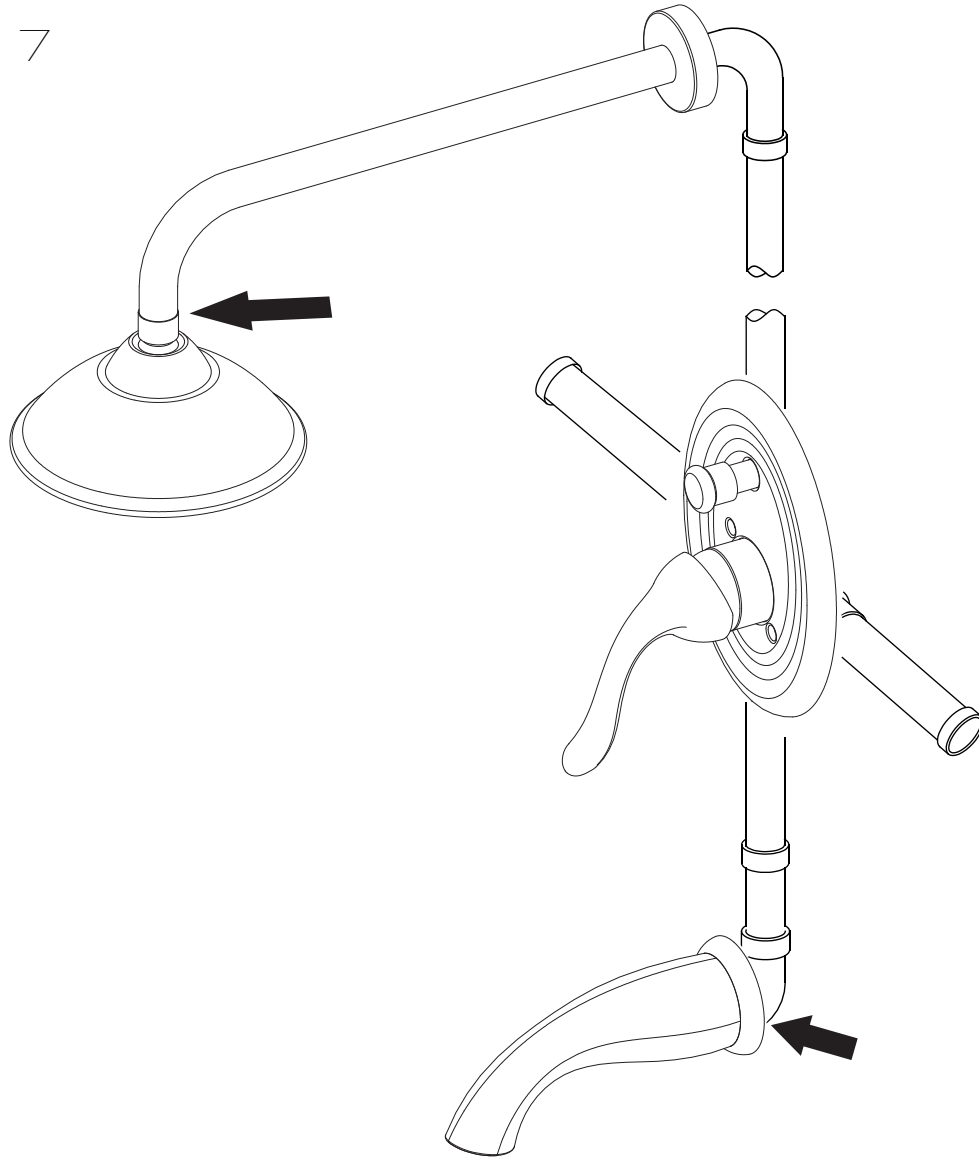


Step 6A Loosen the set screw on spout (#24) using allen key before sliding onto the supply pipe.

Step 6B Re-tighten the set screw to fasten onto pipe.

INSTALLATION

Figure 7



FINAL Check the connections pointed by the arrows for any kind of leaks and re-tighten if necessary.

Important: Please make sure not to over tighten.

PERFECTION IS OUR TRADITION™

CARE AND MAINTENANCE

ANZZI™ products are crafted with superior quality standards and workmanship and are engineered to stand the test of time. However, that does not mean the product can be neglected and will need some care and cleaning.

It is recommended to use regular soap and hot water along with a non-abrasive cloth or sponge to regularly clean the product. This avoids any nasty build up or deposits which would be tougher to remove.

If you feel the use of stronger cleaning solutions or chemicals is necessary always test the cleaning solution or chemical on an inconspicuous area before applying to the entire surface.

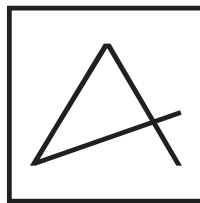
Wipe all surfaces clean and rinse completely with water immediately after applying cleaner. Rinse and dry any overspray that lands on nearby surfaces.

DO NOT ALLOW THE CLEANER TO SOAK.

Following these simple principles will ensure you ANZZI™ product will remain as lustrous and stunning as the day it was first received. ENJOY!

Sincerely,

La Familia ANZZI™



ANZZI™

Perfection is our Tradition™

For more information visit us at www.ANZZI.com

LIMITED LIFETIME WARRANTY

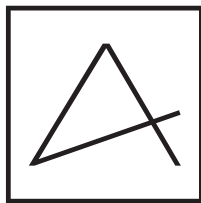
ANZZI™ products are manufactured with superior quality standards and workmanship and are backed by our limited lifetime warranty. ANZZI™ products are warranted to the original consumer purchaser to be free of defects in materials or workmanship. We will replace FREE OF CHARGE* any product or parts that proves defective. Simply call 1-844-44-ANZZI (1-844-442-6994) to submit a warranty claim and request an RMA. Proof of purchase (original sales receipt) from the original consumer purchaser must be made available for all ANZZI™ warranty claims.

This warranty excludes incidental/inconsequential damages and failures due to misuse, abuse or normal wear and tear. This warranty excludes all industrial, commercial & business usage, whose purchasers are hereby, extended a five year limited warranty from the date of purchase, with all other terms of this warranty applying except the duration of warranty.

Some states and provinces do not allow the exclusion or limitation of incidental or consequential damages, so the above limitations may not apply to you. This warranty gives you specific legal rights and you may also have other rights that vary from state to state and province to province. Please contact 1-844-44-ANZZI (1-844-442-6994) or visit www.ANZZI.com/Warranty for more details.

Sincerely,

La Familia ANZZI™



ANZZI™

Perfection is our Tradition™

*Shipping and handling fees are not covered under the ANZZI™ Warranty.

This warranty is in effect as of January, 2016. This warranty supersedes all previous warranties and/or claims both stated and implied. This warranty is subject to change without notice.

PRODUCT AND WARRANTY REGISTRATION

To register your product and activate your Limited Lifetime Warranty contact us at 1-844-44-ANZZI or email us at support@ANZZI.com. Or, if preferable, fill out the form below then scan/fax/mail us a copy.

Email: support@ANZZI.com

Fax: 1-866-560-1060

Mail: ANZZI™
5701 NW 35th Ave.
Miami, FL 33142

In need of replacement parts?
Visit www.SpaWorldParts.com

ANZZI™ Product Registration Card

Name.....

Address

City State Zip

Phone

Email.....

Date of Purchase..... Dealer

Address

Installed by

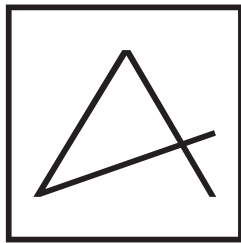
Address State

Phone State..... Zip.....

Email.....

I have read the ANZZI™ Owner's Manual carefully and understand and agree that any installation, operation or maintenance of the product must be done strictly in accordance with instructions and guidelines contained in the ANZZI™ owner's manual and installation guide.

Signature _____ Date _____



ANZZI™

Perfection is our Tradition™