



ANZZI™

ALA

Freestanding Bathtub
FT-AZ508

Dimensions:

33.5" L x 74.4" W x 24.25" H

Weight: 275 lb.

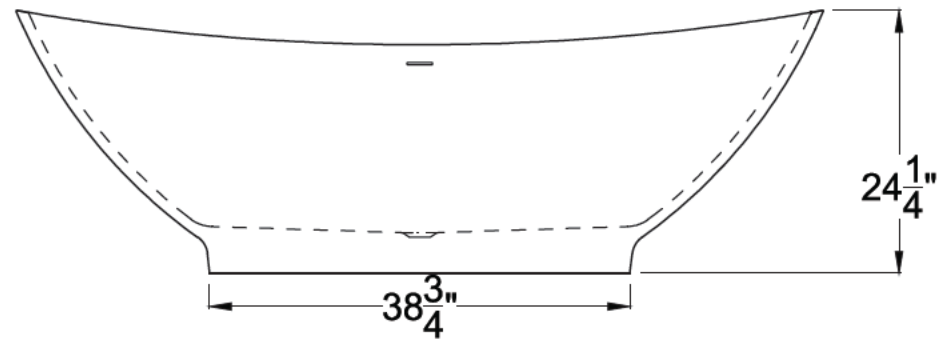
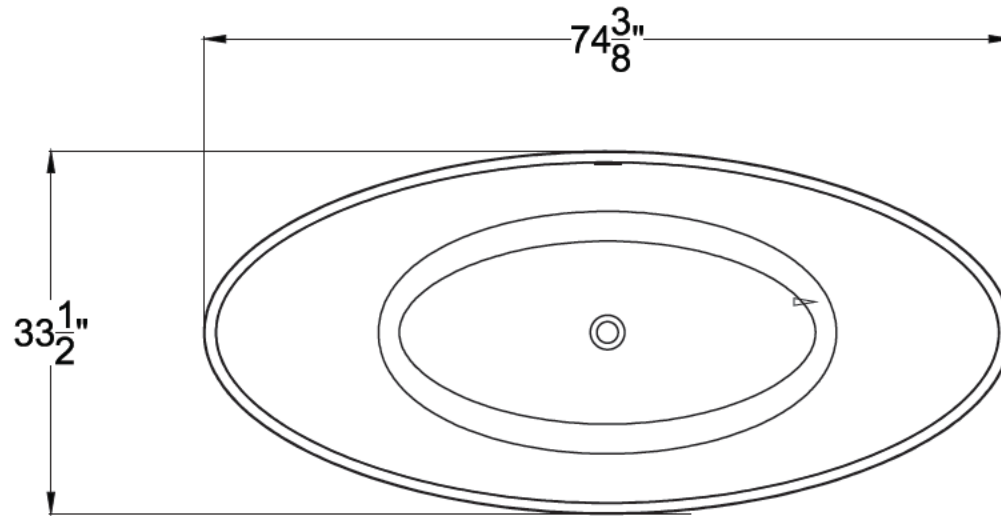
Material: ANZZI Stone™ Resin

Capacity: 74 gal

For more information visit

www.ANZZI.com or call

1-844-44-ANZZI



Perfection is our Tradition™