

ANZZI GLASS SHOWER DOOR  
INSTALL GUIDE

**Models:  
SD-AZ01-01**

Have questions? Call us at 1-844-44-ANZZI or  
email at [info@anzzi.com](mailto:info@anzzi.com).

# GETTING STARTED

***Notice: This assembly requires two people due to the weight of the glass doors. Professional installers are highly recommended.***

1. Carefully inspect all boxes and packages to make sure no damage occurred during shipping. If you find a unit has been damaged, is missing parts, or has finishing defects, contact our customer support department within 5 business days of the delivery date. Note: After 5 business days, or if the product has been already installed, we will not replace any missing parts or damaged products.

Once all boxes and packages are inspected and opened, thoroughly read through this instruction manual. Take time to view the “Detailed Diagram of Shower Door Components” page and mark each piece as you ensure all necessary parts required for assembly are included in the package.

2. Note: Keep in mind that we are not responsible for code compliance standards for your project and we will not accept any returns. Plumbing and building codes differ from one location to another, so it is crucial to review your local building codes before installation to help answer any questions you have about installation compliance standards.

3. Make sure the installation surface area is level, solid, and can support the entire weight of the unit and the walls are at right angles before beginning installation. Major problems may occur if the surface area isn't level and side wall angles are abnormal. It is recommended that all primary surfaces of the unit be protected during installation. Leveling adjustments and drilling may be necessary depending on the unit being installed.

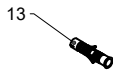
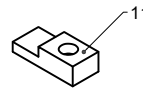
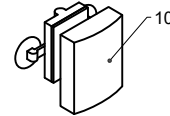
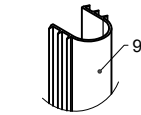
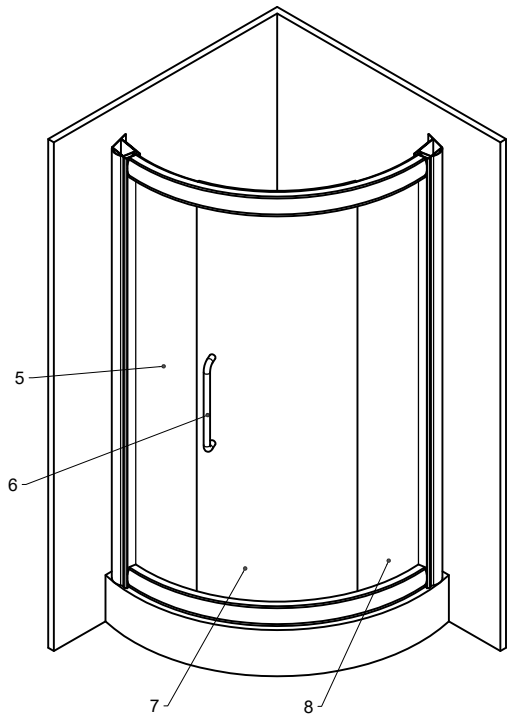
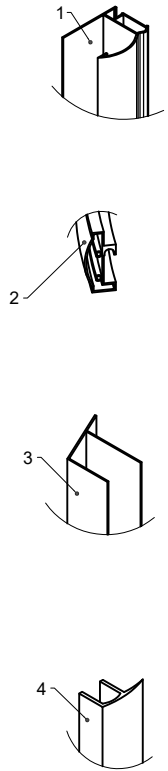
4. Finished floor and walls are required for installation of this unit.

5. IMPORTANT: Each side of this door features a 1” out-of-plumb adjustment. Ensure your shower base or threshold is leveled and walls are vertical.

Note: Be sure the CLEAR side of the glass with print, molded, or silk designs faces the interior of the shower.

ATTENTION: Use caution when unpacking and inspecting your unit. For easy part identification, refer to the detailed diagram in your manual and lay out each piece accordingly. Do NOT discard cartons and hardware bags until you have thoroughly checked for all parts. Contact us regarding any missing or damaged parts.

NOTE: Keep these instructions for installation to refer to later.



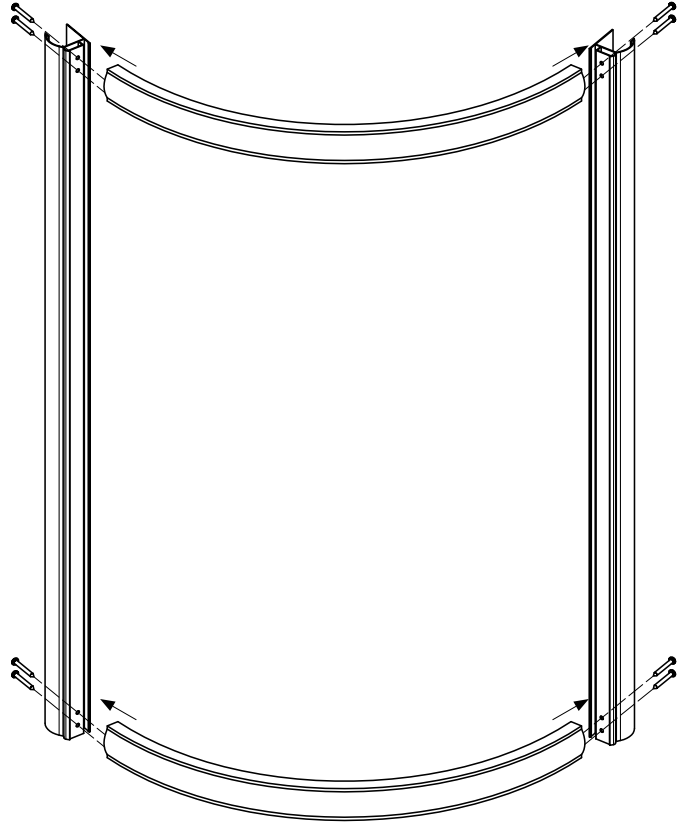
## PARTS LIST

- |     |       |                     |
|-----|-------|---------------------|
| 1.  | (2x)  | Glass               |
| 2.  | (2x)  | Guide rail          |
| 3.  | (1x)  | Fixed glass profile |
| 4.  | (2x)  | Wall profile        |
| 5.  | (2x)  | Glass panel         |
| 6.  | (1x)  | Glass door          |
| 7.  | (2x)  | Water proof strip   |
| 8.  | (3x)  | U-Strip             |
| 9.  | (1x)  | Magnetic strip      |
| 10. | (1x)  | Handle              |
| 11. | (2x)  | Top side wheels     |
| 12. | (2x)  | Bottom side wheels  |
| 13. | (16x) | Screw ST4* 30       |
| 14. | (8x)  | Wall anchor         |
| 15. | (4x)  | Screw ST4* 12       |
| 16. | (4x)  | Glass holder        |

## TOOLS YOU'LL NEED

Tape Measure, Pencil, Phillips Screwdriver  
 Drill Bits D=5/16" and D=1/8"  
 Level, Caulking Gun, Electric Drill, Hammer

## TUB DOOR



1. Use the Round Head Screws ST4x30 (13) to attach the bottom Guide Rail (03) to the Glass Profiles (02).

2. Affix the U Shape Strip (08) to the stationary glass. Install the Stationary Glasses (05) by fully sliding one into the groove of the Glass Profiles (01). Securely fasten it near the Glass Holders (16) to the bottom Guide Rail (02). To install the second stationary glass into the groove of the Glass Profiles (01) repeat this step.

# U-STRIPS

NOTE: Avoid scratching or damaging the aluminum and glass by refraining from using a screwdriver or other metal device.

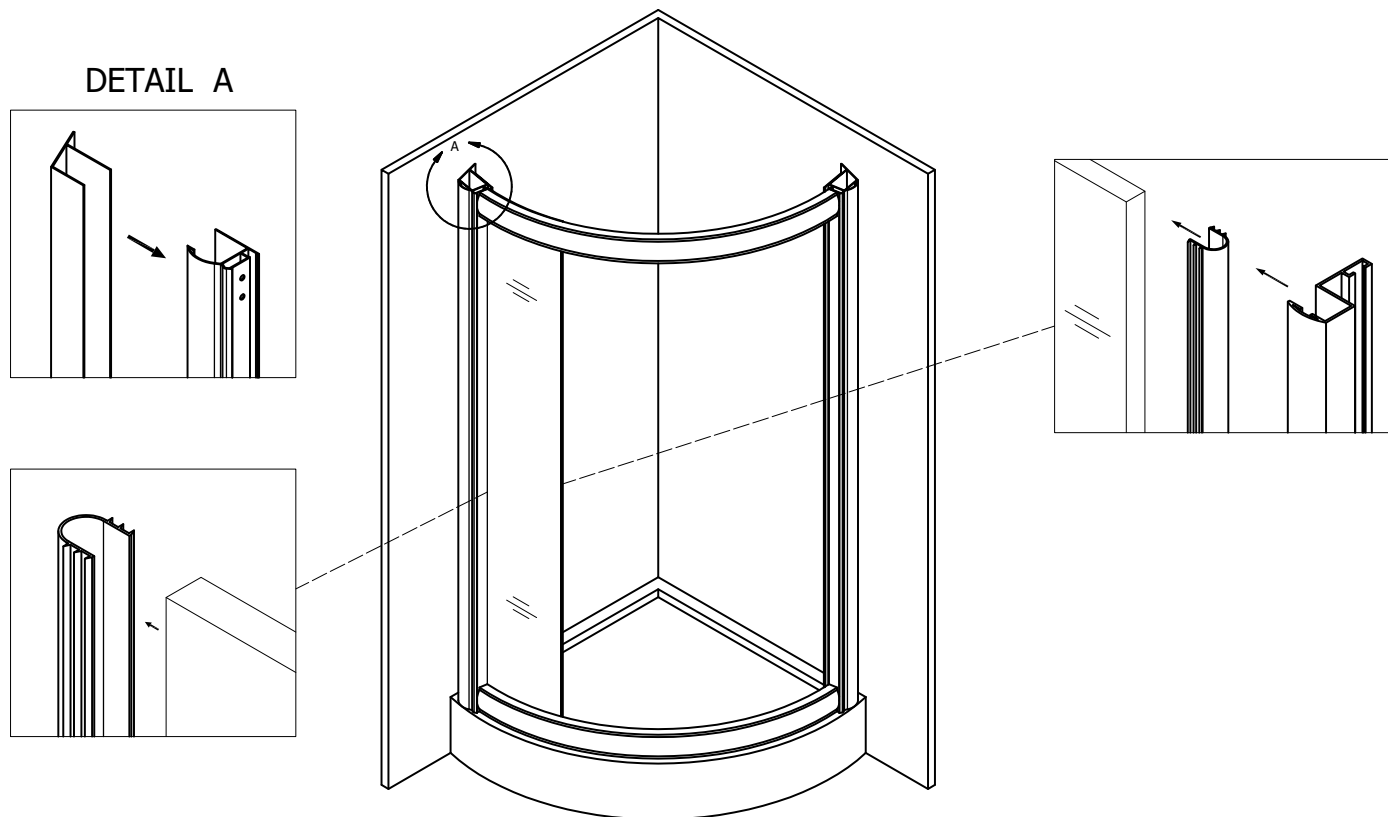
3. For your convenience, the Stationary Glasses Profile (magnetic) (03) has already been assembled.

Refer to Figure 4 for details.

4. Fit the Anti-Water Strip (07) into the Stationary Glasses (05).

Refer to Figure 5 for details.

5. Insert the Wall Profiles (04) by carefully sliding them onto the Glass Profiles (01) on both sides. Ensure the Wall Profiles flanges face the interior of the shower.

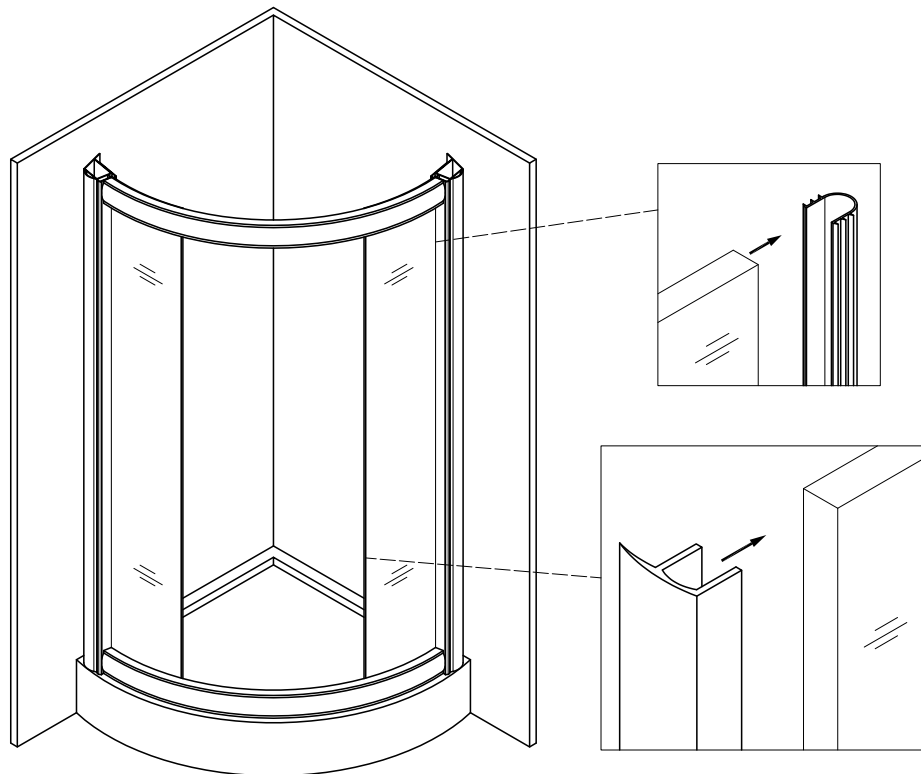


# U-STRIPS

6. Place the completed frame on the shower base, threshold, or bathtub in its designated position. Carefully push the frame against the walls. Sometimes the upper and lower wall opening measurements differ or the walls may not be plumb. To fix this problem, make slight adjustments by gently pulling the Wall Profiles (04) out of the Glass Profiles (01) and use a leveler tool to adjust the vertically positioned frame.

7. This step will require an assistant to help hold the assembly in the proper position while drill holes are marked on the wall through the holes found on the Wall Profiles (04) flange.

Carefully set the assembled unit to the side. Using a  $\text{Ø } 5/16''$  drill bit, drill the holes and insert the Wall Anchors (14). Add silicone caulk around the holes in the wall, along the Wall Profiles, and under the bottom Guide Rail (02). Reposition the entire shower assembly back into its designated location and use the Round Head Screws ST4x30 (14) to secure it to the walls.

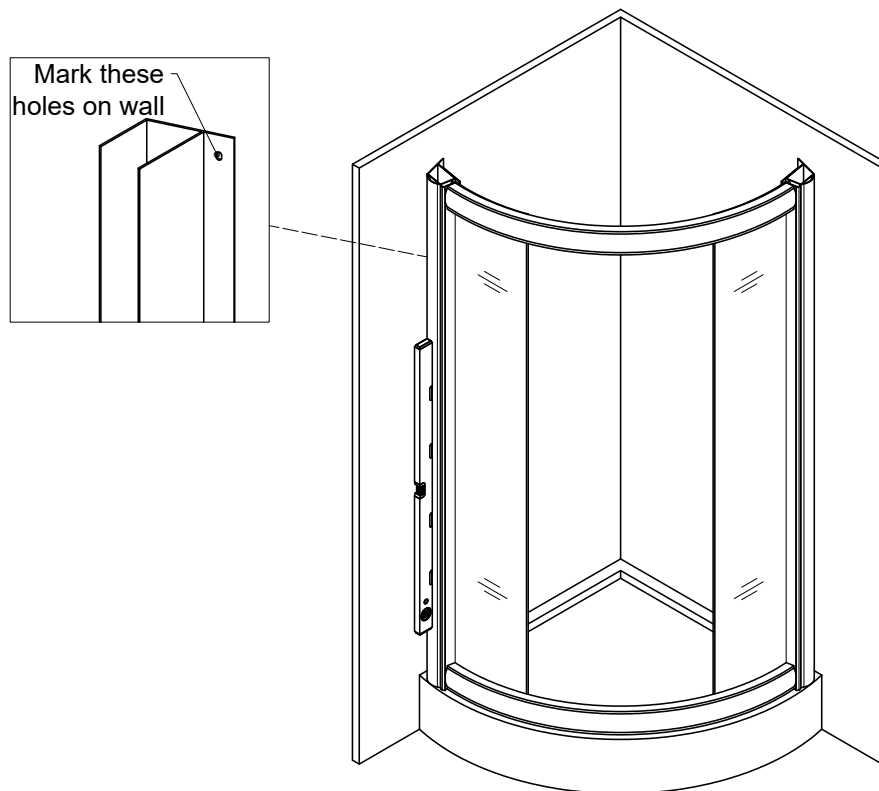


# DRILLING

6. Place the completed frame on the shower base, threshold, or bathtub in its designated position. Carefully push the frame against the walls. Sometimes the upper and lower wall opening measurements differ or the walls may not be plumb. To fix this problem, make slight adjustments by gently pulling the Wall Profiles (04) out of the Glass Profiles (01) and use a leveler tool to adjust the vertically positioned frame.

7. This step will require an assistant to help hold the assembly in the proper position while drill holes are marked on the wall through the holes found on the Wall Profiles (04) flange.

Carefully set the assembled unit to the side. Using a  $\text{Ø } 5/16''$  drill bit, drill the holes and insert the Wall Anchors (14). Add silicone caulk around the holes in the wall, along the Wall Profiles, and under the bottom Guide Rail (02). Reposition the entire shower assembly back into its designated location and use the Round Head Screws ST4x30 (14) to secure it to the walls.



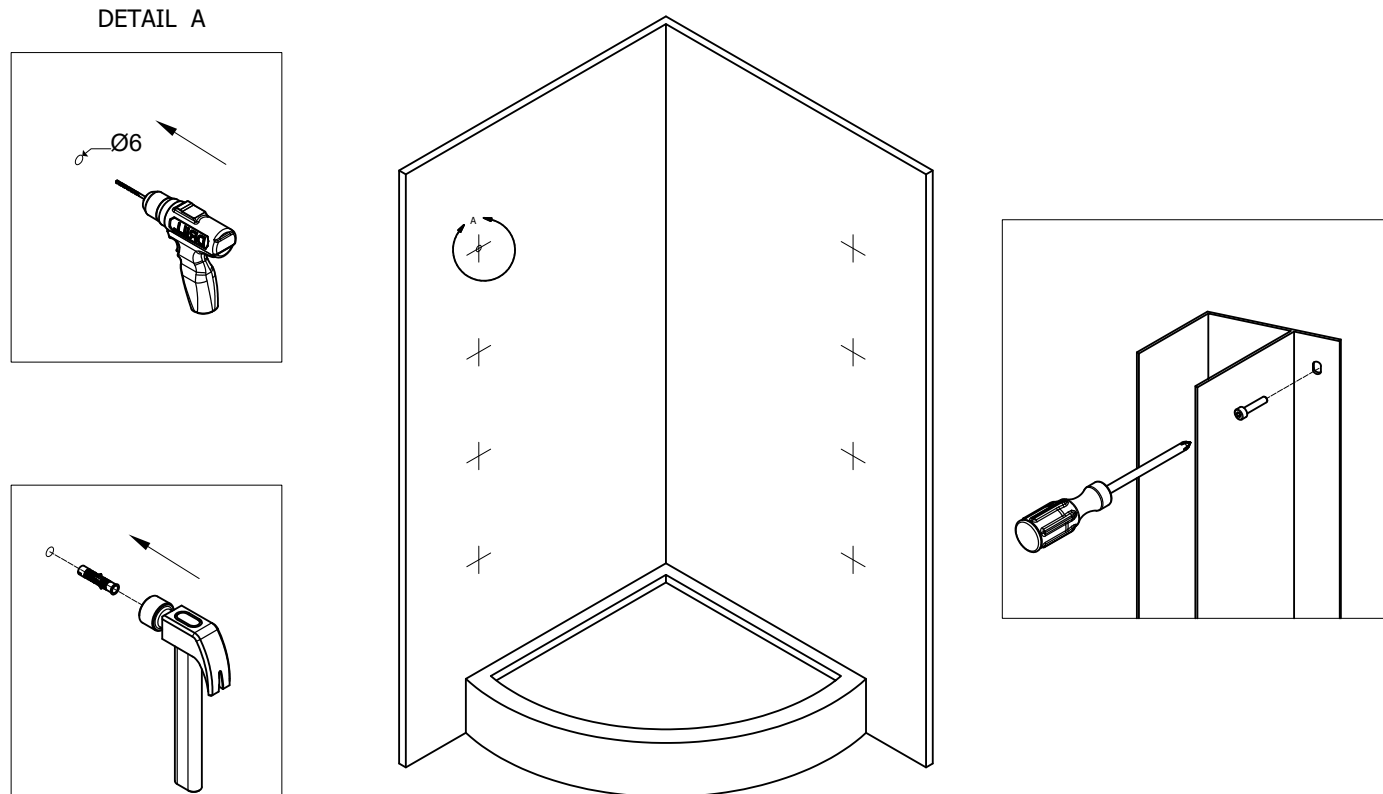
# DRILLING

8. Adhere the top and bottom Wheels (11) & (12) to the Glass Door (06). The upper wheels have an adjustable bolt and lock nut that can alter the door level as necessary. The lower wheel features a press that works to secure the wheel to the bottom Guide Rail (02).

NOTE: When installed, the upper wheel lock nut and lower wheel press button should be pointing upwards.  
Refer to Figure 10 for details.

9. Position the top door wheels into the top Guide Rail (02) using a sliding motion. Adjoin the bottom wheels and the Guide Rail by pushing the bottom wheels into the bottom rail and pressing down the button located on the Wheel Assembly.

NOTE: DO NOT use a power screwdriver for adjustments. Adjust the upper wheels using the Phillips screwdriver until they glide smoothly, and the door tightly closes.





# HARDWARE

10. Affix the Handles (10) to the Glass Door (06). Place the Anti-Water Strips (07) firmly on the vertical edges of the Stationary Glass and the Glass Door. For a tight close, secure the Magnetic Strip (09) on the vertical edges of the Glass Door.

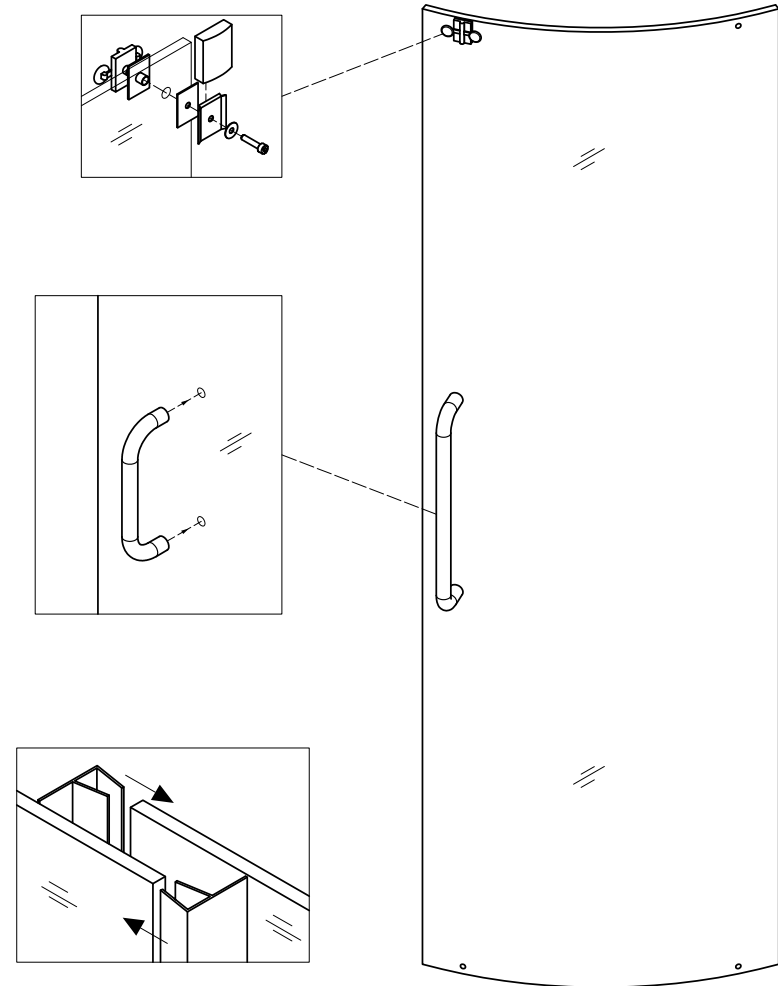
11. Make any final adjustments to the assembled unit in the Wall Profiles (04) before using a  $\varnothing$  1/8" drill bit to drill holes in the Wall Profile and Glass Profile (01).

**NOTICE:** Only drill the first layer of the wall profile and glass profile. Do NOT drill the profiles throughout.

Use the Round Head Screws ST4x12 (15) to affix the Wall Profile to the Glass Profile. Use the Decorative Covers (15) to cover the visible screw heads.

12. Carefully add the sealant along the guide rails and profiles, along the shower base or threshold, and on the seams between the profiles and lower guide rail.

**WARNING:** WAIT 24 HOURS BEFORE USING THE SHOWER ENCLOSURE TO ALLOW THE SILICONE GEL TO DRY COMPLETELY.



# MAINTENANCE

Guarantee a longer life of the hardware finish by wiping off the metal parts with a soft cloth after each use. Avoid using abrasive cleaners and products especially those that contain bleach, acid, or ammonia. In the case that these chemicals are used, thoroughly rinse the surface as soon as possible and wipe dry with a soft cloth. Stainless-steel surfaces should be cleaned once a week or as needed. When applying a stainless-steel polish or cleaner, work with the grain and not against it. Avoid the use of abrasive tools such as wired brushes, abrasive cloths or sponges, or steel wool.

**Tempered Glass:** Nonabrasive bathroom cleaners and your usual glass cleaner may be used to clean tempered glass. Be sure to thoroughly rinse off any cleaner. Do NOT strike the glass with any hard or sharp object as it could cause immediate damage or cause the glass to eventually break.

**Wheel Maintenance:** To keep the roller movement smooth, apply a small amount of lubricating oil. Periodically adjust the wheel screw to ensure the moving door slides smoothly and the bearing functions effectively.