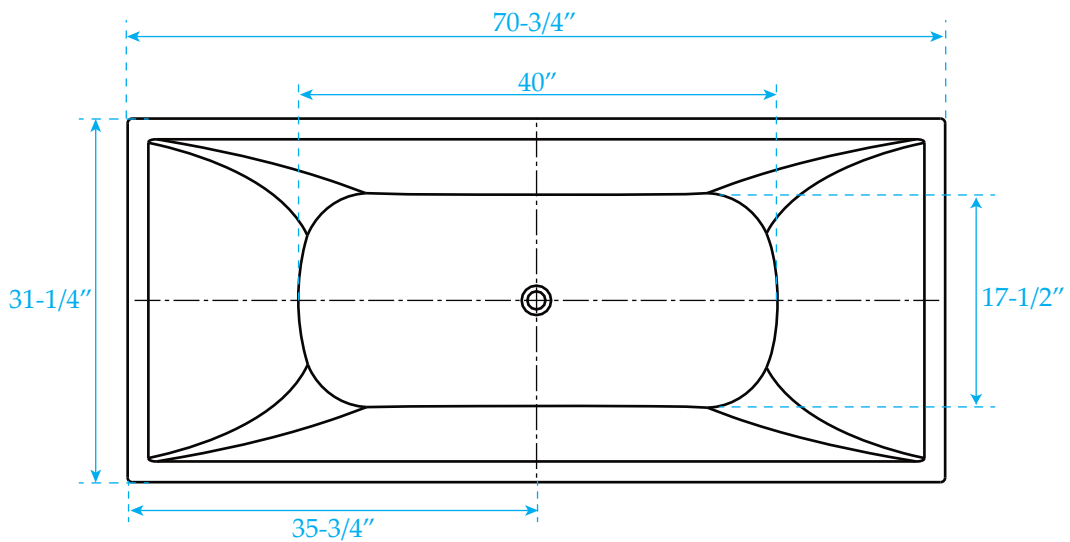
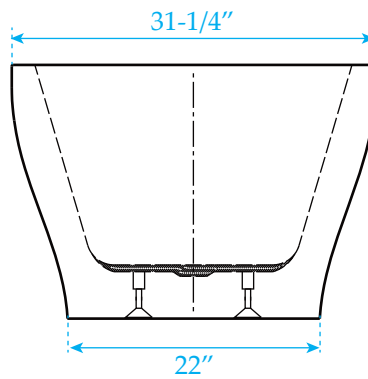
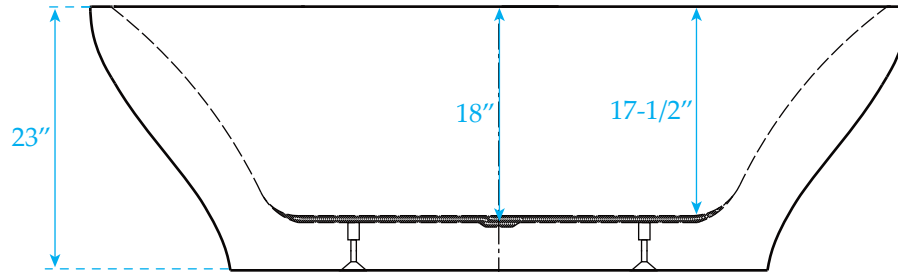


# WYNDHAM COLLECTION

Exterior Size - 70-3/4"L x 31-1/4"W x 23"H  
Depth at Drain - 18"  
Drain to Overflow - 14-3/4"  
Maximum Fill - 67 Gallons  
Note - All Measurements are  $\pm 1/2$ "



WC-BTK1518-71