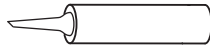


# WYNDHAM COLLECTION

## SUGGESTED TOOLS AND MATERIALS



Philips Screwdriver



Sealant



Tape Measure



Safety Glasses

## PARTS / HARDWARE INCLUDED



120003

4x



120004

4x



111212

4x



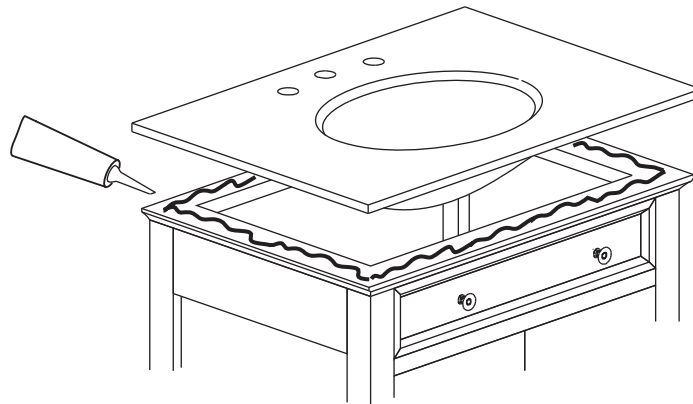
500001

4x

## COUNTERTOP INSTALLATION

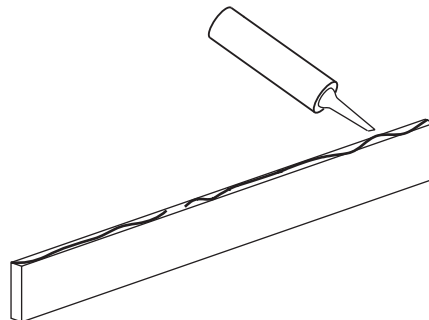
- 1 Install Undermount Sinks according to Undermount Sink Installation Guide before installing countertop.

2



Apply bead of quality sealant evenly along the top of the vanity

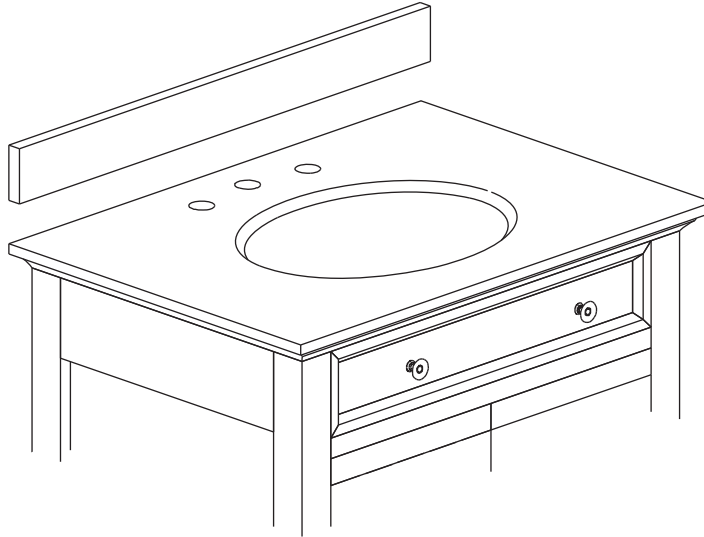
3



Apply silicone sealant evenly along the bottom of backsplash and wall

# WYNDHAM COLLECTION

4



Finally, place the bottom side of back splash with sealant onto the countertop and check alignment of back splash.  
Adjust the leg levelers as needed

**\*\* NOTE:** Sink style, shape, faucet holes, cutout on top, vanity may vary from the picture above. Instructional purposes only.

---

## CARE AND CLEANING

For best results in caring for your stone top, we suggest:

- Always wipe off spills immediately.
  - Seal the stone top regularly with a good quality stone sealer.
  - Never use strong / abrasive cleaner. Always test your cleaning solution on unnoticeable areas before applying to the entire surface.
  - Wipe surfaces clean, immediately after applying cleaner.
  - Do not allow cleaner to sit or soak. Never let cleaners sit on the surface of the stone for long periods of time.
  - Use a soft, dampened sponge and cloth. Never use an abrasive material such as brush or scouring pad to clean surfaces. They will scratch the surface of the stone top and lavatory.
  - Always rinse and wipe clean the fixtures to prevent soap buildup.
-