

Avanity

CUT31WT

Features

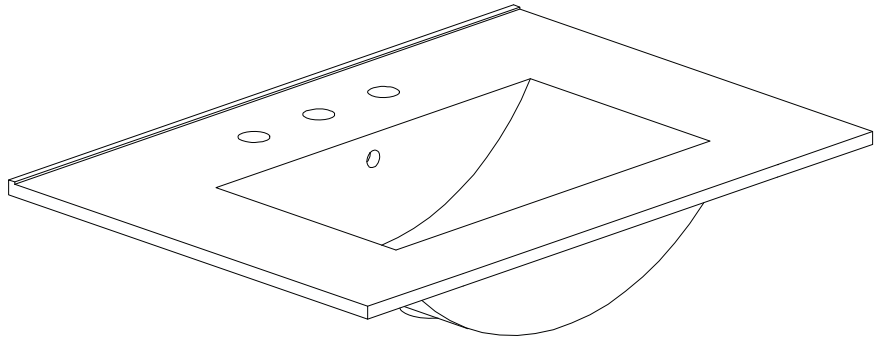
- Vitreous China
- Integrated rectangular bowl
- Top pre-drilled for 8" widespread faucet

Colors / Finishes

White

Nominal Dimension

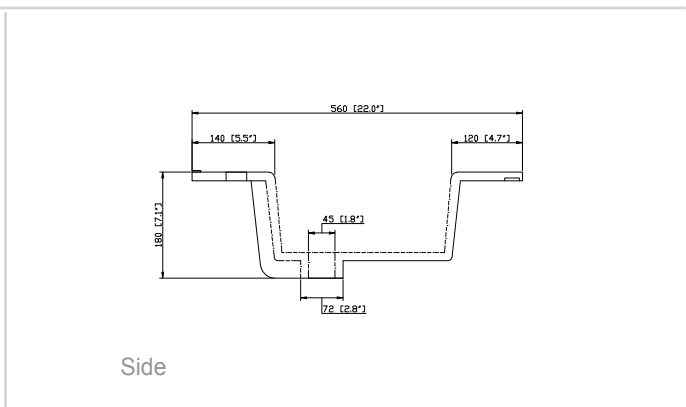
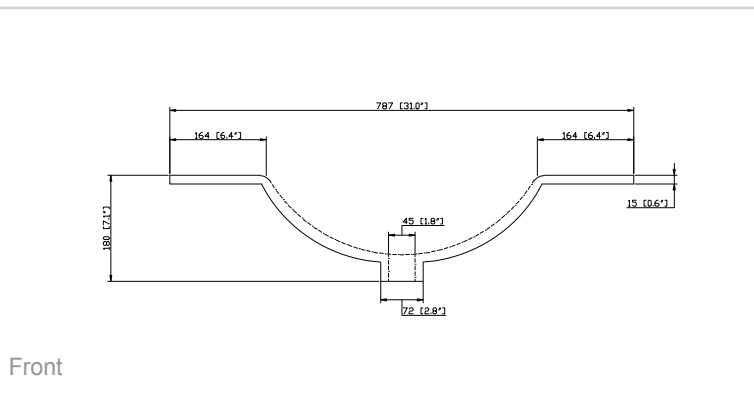
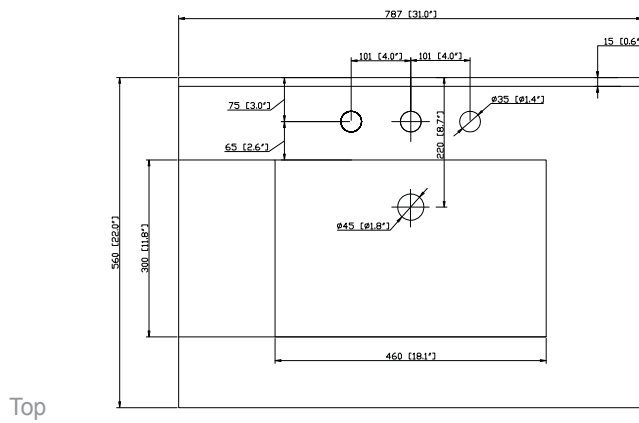
- 31W x 22D x 7.1H inches
- 787 x 560 x 180 mm



Components

| | | |
|--------|-------------|---------------|
| Drain | VC-DRAIN-CP | VC-DRAIN-BN |
| Vanity | LOFT-V30-DW | MILANO-V30-BK |

Product Diagrams



For customer support please call 626 404 7678 weekdays 9:00 to 6:00 PST