

## SP Series Quick Product Introduction

### Pure Sine Wave Inverter



Scan QR Code to view the User Manual



**IMPORTANT:** Please must read the Installation and Maintenance Instructions Before Connecting to the Supply. Please download and read the user manual from COTEK website or QR code before starting to use the SP Inverter.

	SP-700	SP-1000	SP-1500	SP-2000	SP-3000	SP-4000
<b>Output</b>						
Rated Power	700 VA	1000 VA	1500 VA	2000 VA	3000 VA	4000 VA
Surge Power ( Max. 1 Sec )	>1050VA ~ 1400VA (151% ~ 200%)	>1500VA ~ 2000VA (151% ~ 200%)	>2250VA ~ 3000VA (151% ~ 200%)	>3000VA ~ 4000VA (151% ~ 200%)	>3450VA ~ 6000VA (116% ~ 200%)	>4600VA ~ 8000VA (116% ~ 200%)
Surge Power ( Max. 3 Sec )	>810VA ~ 1050VA (116% ~ 150%)	>1150VA ~ 1500VA (116% ~ 150%)	>1725VA ~ 2250VA (116% ~ 150%)	>2300VA ~ 3000VA (116% ~ 150%)		
Maximum Output Power (1 Min)	>700VA ~ 810VA (100% ~ 115%)	>1000VA ~ 1150VA (100% ~ 115%)	>1500VA ~ 1730VA (100% ~ 115%)	>2000VA ~ 2300VA (100% ~ 115%)	>3000VA ~ 3450VA (100% ~ 115%)	>4000VA ~ 4600VA (100% ~ 115%)
Frequency	50 / 60 Hz ± 0.5% (Dip Switch Selectable)					
<b>Protection</b>						
Output Overload & Short	Shutdown output voltage, restart to recovery					
Input Protection	Over / Under Voltage, Reverse Polarity (Internal Fuse)					
Over Temperature	Heat sink temperature over 80°C ± 5°C, shutdown output voltage, recover automatically after heat sink temperature goes down to 60°C ± 5°C					
DC input Reverse Polarity	By Fuse					
<b>Environment</b>						
Working Temp.	-20°C ~ 40°C, (-40W/°C, 41~60°C)					
Storage Temp.	-30°C ~ 70°C					
Storage Temp. & Humidity	10 ~ 95 % RH non-condensing					
<b>Control &amp; Signal</b>						
Accessory (Optional)	Remote Control : CR-8 / CR-16A; Transfer Switch : TR-40					
LED Indicator	Input voltage level, output load level and faulty status					
Dry Contact Terminal	By relay					
Remote Control	6-port green terminal Terminal					
<b>Control &amp; Signal</b>						
Dimension (WxHxD)	200x83x330 mm / 7.87x3.27x12.99 inch	200x83x372 mm / 7.87x3.27x14.65 inch	248x83x421 mm / 9.76x3.27x16.57 inch	248x83x443 mm / 9.76x3.27x17.44 inch	255x158x442 mm / 10.04x6.22x17.40 inch	255x158x462 mm / 10.04x6.22x18.19 inch
Packing	2.6kg; 6pcs / 16.6kg / 3.59 CUFT	3.26kg; 4pcs / 14kg / 2.65 CUFT	4.42kg; 4pcs / 22.68kg / 3.54 CUFT	5.24kg; 4pcs / 21.96kg / 3.58 CUFT	8.2kg; 2pcs / 17.4kg / 3.05 CUFT	10kg; 2pcs / 21kg / 3.05 CUFT
Cooling	Temperature & load controlled cooling fan					
Application	Home and office appliances, portable power equipment, vehicle, yacht and off-grid solar power					

	SP Series - 112	SP Series - 124	SP Series - 148	SP Series - 212	SP Series - 224	SP Series - 248
<b>Output</b>						
AC Voltage	100 / 110 / 115 / 120 VAC (Dip Switch Selectable)			200 / 220 / 230 / 240 VAC (Dip Switch Selectable)		
AC Regulation	± 5%			± 3%		
Output Waveform	Pure Sine Wave ( THD<5% @ Normal Load )			Pure Sine Wave ( THD<3% @ Normal Load )		
<b>Input</b>						
DC Voltage	12VDC	24VDC	48VDC	12VDC	24VDC	48VDC
Voltage Range	10.5~16.5VDC	21~33VDC	42~66VDC	10.5~16.5VDC	21~33VDC	42~66VDC
No Load Current	≤ 1.5A@12VDC	≤ 0.8A@24VDC	≤ 0.5A@48VDC	≤ 1.5A@12VDC	≤ 0.8A@24VDC	≤ 0.5A@48VDC
Power Saving Mode	<0.1A@12VDC	<0.06A@24VDC	<0.05A@48VDC	<0.1A@12VDC	<0.06A@24VDC	<0.05A@48VDC
<b>Protection</b>						
Efficiency (Max.)	92%	93%	94%	94%	94%	95%
Input Under-Voltage Protection	10.5 ± 0.3VDC	21 ± 0.5VDC	42 ± 1.0VDC	10.5 ± 0.3VDC	21 ± 0.5VDC	42 ± 1.0VDC
Input Under-Voltage Recovery	12.5 ± 0.3VDC	25 ± 0.5VDC	50 ± 1.0VDC	12.5 ± 0.3VDC	25 ± 0.5VDC	50 ± 1.0VDC
Input Over-Voltage Protection	16.5 ± 0.3VDC	33 ± 0.5VDC	66 ± 1.0VDC	16.5 ± 0.3VDC	33 ± 0.5VDC	66 ± 1.0VDC
Input Over-Voltage Recovery	14.5 ± 0.3VDC	29 ± 0.5VDC	58 ± 1.0VDC	14.5 ± 0.3VDC	29 ± 0.5VDC	58 ± 1.0VDC
<b>Safety &amp; EMC</b>						
Safety Standards	UL 458 (UL only for GFCI & Hard Wire)		----	EN 62368-1		
EMC Standards	FCC class A : SP-2000, SP-3000, SP-4000			EN 55032 class A : SP-2000, SP-3000, SP-4000 / class B : SP-700, SP-1000, SP-1500 ;		
	FCC class B : SP-700, SP-1000, SP-1500			EN 55024 EN 61000-3-2, -3-3 EN 61000-4-2, 3, 4, 5, 6, 8, 11		
E-mark	CISPR 25; ISO 7637-2					

\*Warning : SP-2000/3000/4000 is a class A product. In a domestic environment this product may cause radio interference in which case the user may be required to take adequate measures.

## ■ Socket Types



North America (GFCI)



North America (NEMA 5-15R)



North America (NEMA 5-20R)



Continental European



Australia / New Zealand



United Kingdom



Universal

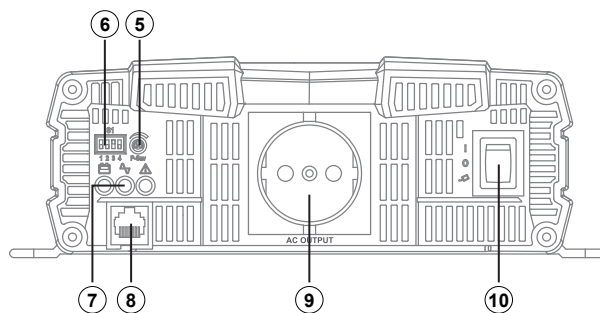
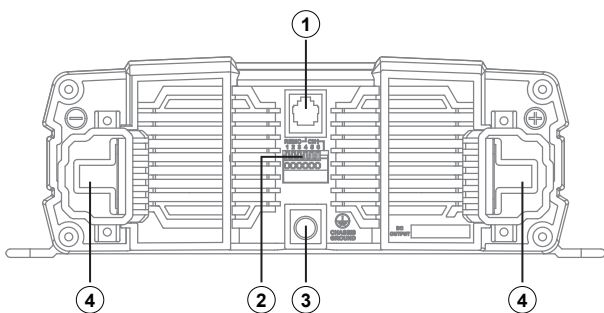


France Connector



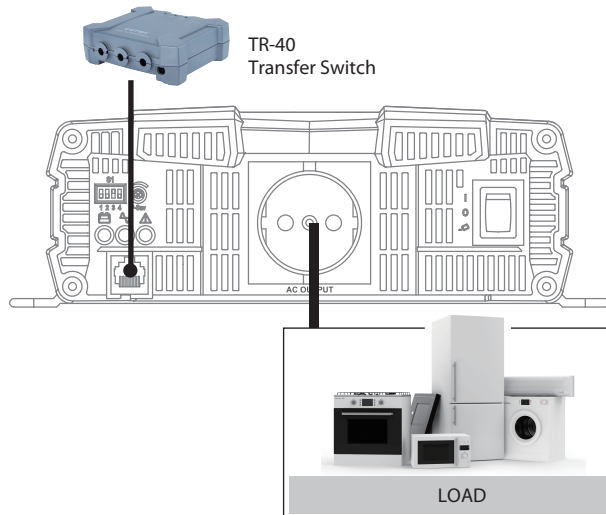
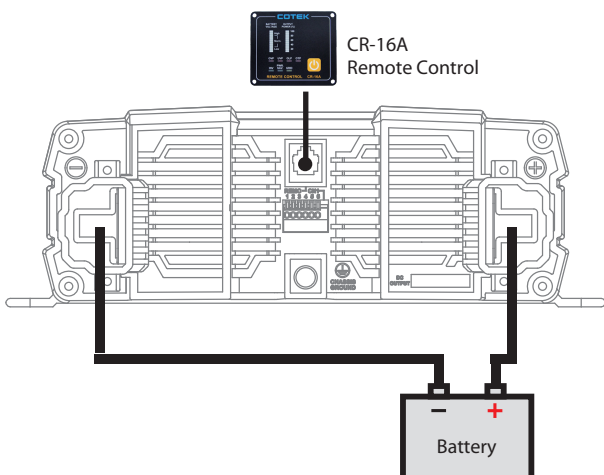
Hard Wire

## ■ Product Appearance



- |                                 |                           |                    |
|---------------------------------|---------------------------|--------------------|
| ① Remote port (RJ-11)           | ⑤ Saving power adjustment | ⑨ AC output socket |
| ② Remote control green terminal | ⑥ Function switch         | ⑩ Main switch      |
| ③ Chassis ground                | ⑦ Function LED            |                    |
| ④ DC input connector            | ⑧ TRC port (RJ-45)        |                    |

## ■ Product Installation



## ■ Warranty



### Warning!

Do not open or disassemble the Inverter. Attempting to do so may cause risk of electrical shock or fire.

We guarantee this product against defects in materials and workmanship for a period of 24 months from the date of purchase.

In case you need to repair or replace any defective power inverters, please contact COTEK local distributor.

This warranty will be considered void if the unit has been misused, altered, or accidentally damaged. COTEK is not liable for anything that occurs as a result of the user's fault.