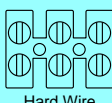


### Features:

- Pure sine wave output
- Power ON / OFF remote control (Green Terminal)
- Remote controller CR-8 / CR-16A (optional)
- Input & Output fully isolation
- Temperature & Load controlled cooling fan
- Built in advance microprocessor to provide friendly interface
- Output frequency 50 / 60 Hz selectable by DIP switch
- Output voltage DIP switch selectable
- Adjustable power saving mode by variable resister
- 3-color LED status indicators
- Input protection: Reverse Polarity (Fuse) / Under Voltage / Over Voltage
- Output protection: Short Circuit / Overload / Over Temperature
- E13 / UL / CE / FCC approved



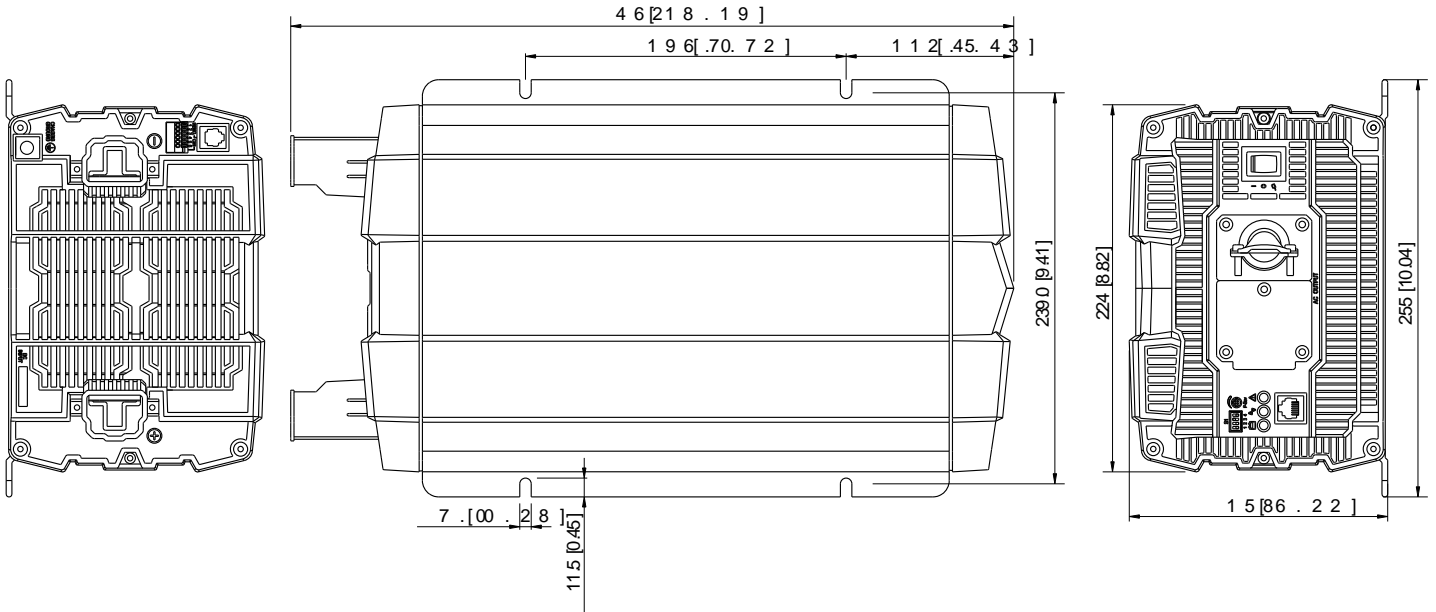
MODEL		SP-4000-124	SP-4000-148	SP-4000-224	SP-4000-248	
Output	AC Voltage	100 / 110 / 115 / 120VAC		200 / 220 / 230 / 240VAC		
	AC Regulation	±5%		±3%		
	Rated Power	4000VA				
	Surge Power ( 1 Sec )	<8000VA				
	Maximum Output Power (1 Min)	>4000VA~4600VA (100%~115%)				
	Output Waveform	Pure Sine Wave (THD<5%@Normal Load NOTE1)		Pure Sine Wave (THD<3%@Normal Load NOTE2)		
	Frequency	50 / 60 Hz ±0.5%				
Input	DC Voltage	24VDC	48VDC	24VDC	48VDC	
	Voltage Range	21.0 ~ 33.0VDC	42.0 ~ 66.0VDC	21.0 ~ 33.0VDC	42.0 ~ 66.0VDC	
	NO Load Current	2 A@24VDC	1.0A@48VDC	2 A@24VDC	1.0A@48VDC	
	Power Saving Mode	<0.2A@24VDC	<0.1A@48VDC	<0.2A@24VDC	<0.1A@48VDC	
	Efficiency (Max.)	91%	91%	90%	91%	
Protection	Input Under - Voltage Protection	21.0 ±0.5VDC	42.0 ±1.0VDC	21.0 ±0.5VDC	42.0 ±1.0VDC	
	Input Under - Voltage Recovery	25.0 ±0.5VDC	50.0 ±1.0VDC	25.0 ±0.5VDC	50.0 ±1.0VDC	
	Input Over - Voltage Protection	33.0 ±0.5VDC	66.0 ±1.0VDC	33.0 ±0.5VDC	66.0 ±1.0VDC	
	Input Over - Voltage Recovery	29.0 ±0.5VDC	58.0 ±1.0VDC	29.0 ±0.5VDC	58.0 ±1.0VDC	
	Output Overload	Shutdown output voltage, restart to recover				
	Output Short	Shutdown output voltage, restart to recover				
	Over Temperature	Heat sink temperature over 80°C ±5°C, shutdown output voltage, recover automatically after heat sink temperature goes down to 60°C ±5°C				
Environment	DC Input Reverse Polarity	By fuse				
	Operating Temp.	-20°C ~ +40°C ; 60°C @40% power load				
	Storage Temp.	-30°C ~ +70°C				
Safety & EMC	Storage Temp. & Humidity	10 ~ 95% RH				
	Safety Standards	Certified UL 458	----	Certified EN 62368-1		
	EMC Standards	Certified FCC class A NOTE3		Certified EN 55022 class A NOTE3; EN 55024 EN 61000-3-2, -3-3 EN 61000-4-2, 3, 4, 5, 6, 8, 11		
Control & Signal	E-mark	----		Certified CISPR 25 ISO 7637-2		
	Accessory (Optional)	Remote Control: CR-8 / CR-16A; Transfer Switch: TR-40				
	LED Indicator	Input voltage level, output load level and faulty status				
	Dry Contact Terminal	By relay				
Others	Remote Control Terminal	6-port green terminal				
	Dimension (W x H x D)	255x158x462 mm / 10.04x6.22x18.19 inch				
	Packing	10kg; 2pcs / 21.00kg / 3.05CUFT				
	Cooling	Temperature & load controlled cooling fan				
	Application	Home and office appliances, portable power equipment, vehicle, yacht and off-grid Solar power systems ...etc.				
Socket Type	Socket Type	 Hard Wire				

Note1 - Normal Condition: Vin=12.5V / 25V / 50V Vo=100 / 110 / 115 / 120 VAC 80% Full load (PF=1.0)

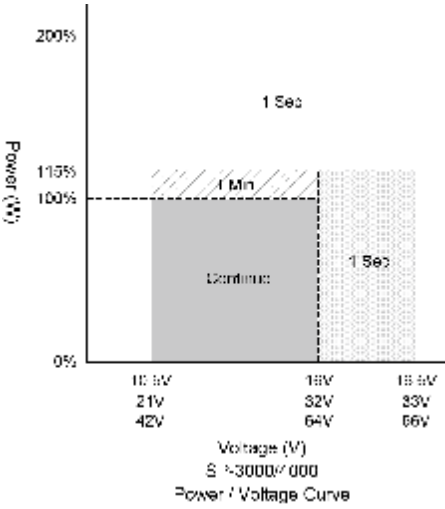
Note2 - Normal Condition: Vin=12.5V / 25V / 50V Vo=200 / 220 / 230 / 240 VAC 80% Full load (PF=1.0)

Note3 - Warning: This is a class A product. In a domestic environment this product may cause radio interference in which case the user may be required to take adequate measures.

### Mechanical Drawings:



### Power Voltage Curve:



### Power Temperature Curve:

