

SB3024(D)iL-DUO

with 20A diversion current



Marine | RV | Off-Grid

The DUO-Option software upgrade converts the auxiliary output into a 20 amp Diversion type PWM charge controller. The DUOOption upgrade allows a SB3024(D)iL to provide PWM charge control for hydroelectric, wind or similar DC generators that require diversion type charge control while at the same time providing MPPT charge control for the main PV system. The DUO-Option can also be used to divert excess PV input to an alternate load. The charge controller and the Diversion Power controller operate as a single coordinated charge control system fed by multiple power sources. A diversion charge controller regulates battery voltage by diverting a portion of the available charge current to a resistive dump load supplied by the user. With the DUO-Option the user may select either (a) the Min-Power mode to provide minimum dump load heating, or (b) the Max-Power mode where maximum power is delivered to the dump load. Min-Power mode is typically selected when diversion is used for charge control only and dump load power is not directed towards a useful purpose. Max-Power mode is typically selected when dump load power is directed towards a useful purpose such as a water heater. The Max-Power mode may also be used with PV power alone if the user wishes to divert available PV power which is not required for battery charging to a useful purpose. For dump load applications exceeding 20 amps, our Current Booster Module(s) can be utilized to support multiple independant dump loads up to 40 amps each. The Current Booster Module is driven by the auxiliary output of a DUO-Option equipped SB3024(D)iL.

Product Features

- See datasheet for SB3024(D)iL
- 20A auxiliary output/diversion power PWM

Display

- LEDs for charge and load status (SB3024iL-DUO)
- LED display for battery voltage, charge current, and [..XXX] (SB3024DiL-DUO)
- Remote Display optional (IPN ProRemote, IPN Remote)

Accessories

- See datasheet for SB3024(D)iL
- Current Booster Module (CBM4070)

Dump Load •

Hybrid Applications (Wind or Hydro) •

Diversion Current control •



Specifications:

SB3024(D)iL-DUO @12V

SB3024(D)iL-DUO @24V

Features and Accessories:

See the SB3024(D)iL Datasheet

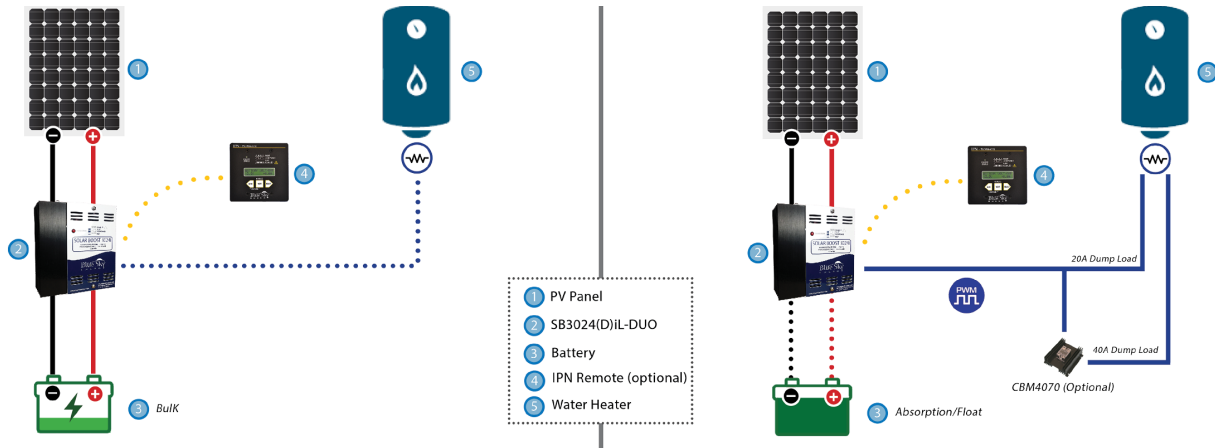
Auxiliary Output:

20A diversion current

Warranty:

5 years (Tech. Bulletin #100218)

Certifications:



Divert Current for heater system with Hybrid power sources:

