



Experts in water.

DAVEY

APPLICATIONS

Ideal for supplying high pressure water for:

- Farm water supply from dams, creeks and rivers
- Tank filling
- Stock watering
- Sprinkler supply



Shallow Well Jet Pump

Model Numbers: 095S, 125S, 165S

Rugged, reliable single stage jet assisted centrifugal pumps driven by Davey's TEFC motor. Pump fitted with pressure switch for easy conversion to automatic operation.

WHY CHOOSE THE Davey Shallow Well Jet Pump?

- Davey LTEFC motor providing:
 - IP56 rating for long term protection against vermin, dust and water
- Designed for both high ambient temperatures and extremes in supply voltage making them ideal for remote areas
- Pump unit features the highest corrosion resistance with outstanding pressure capacity due to:
 - unique composite casing design with high strength aluminium outer casing and full internal casing made from precision moulded Rilsan.
 - mounting feet in high impact resistant corrosion proof Xenoy.
- Versatile pump - convertible to match required duty
- Colour coded jets and venturis for easy identification
- Easily converted to automatic operation
- 165S available with 3 phase motor
- Quick and easy installation
- Low maintenance
- Easy to service if required
- Oring seal hand tightened priming plug for easy operation

PUMP

1 Stage (Single Impeller).

Jet assisted.

Marine grade aluminium pump body with Rilsan® lining.

Interchangeable jet/venturi kits to match pump performance to required duty.

Pressure switch fitted.

Pressure gauge supplied.

MOTOR

Davey manufactured.

2 pole, 2900rpm, 50Hz.

Class F insulation, IP56.

Permanently split capacitor design for single phase motors.

Double contact seal C3, high temperature greased bearings.

Inbuilt thermal overload protection with automatic reset in all 1Ø models.

INSTALLATION & PRIMING

- Installations with suction lift require a good quality foot valve to avoid loss of prime.
- To prime, fill pump body and suction line through priming plug hole and replace plug.

Note: For complete details consult the installation and operating instructions.

OPERATING LIMITS

Type	095S	125S	165S
Maximum capacity (@260kPa, nil suction) lpm	95	126	165
Maximum suction head (m)	7.5		
Maximum water temperature	50°C		
Minimum water temperature	1°C		
Inlet size	1½" BSP(F)		
Outlet size	1¼" BSP(F)		

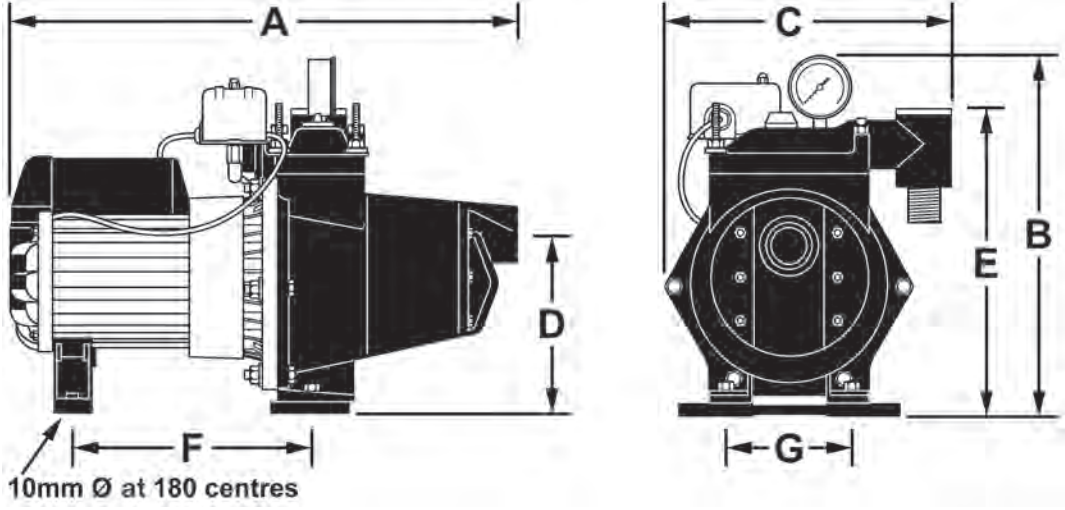
MATERIALS OF CONSTRUCTION

Part	Material
Suction cover	Aluminium-Rilsan® lined
Pump body	Aluminium-Rilsan® lined
Discharge port	Aluminium-Rilsan® lined
Diffuser	Glass filled Noryl
Backplate	Glass filled Noryl
Jet/Venturi housing	Glass filled Noryl
Impeller	Glass filled polycarbonate
Jet	Acetyl
Venturi	Acetyl
Seal ring (stationary)	Ceramic
Seal ring (rotating)	Carbon
Orings	Nitrile rubber
Priming plug	Nylon
Shaft sleeve	316 stainless steel
Motor shell	Aluminium
Motor shell finish	Polyester powder coat
Capacitor cover	Polypropylene
Terminal box cover	Polypropylene
Mounting feet	Xenoy®

ELECTRICAL DATA

Shallow Well Pump – Type	095S	125S	165S
Supply voltage (1Ø)	220-250		
Output power (kW)	1.1	1.4	1.8
Maximum rated current @ 240V (amps)	7.2	8.5	10
Locked rotor current @ 240V (amps)	21	25	39
Insulation class	F		
IP rating	IP56		
Starting (1Ø)	P.S.C.		

DIMENSIONS (mm)										
Model	A	B	C	D	E	F	G	Inlet B.S.P.	Outlet B.S.P.	Net Weight (kg)
095S	535	365	300	158	320	210	210	1½"F	1¼"F	22
125S	555	365	300	158	320	230	210	1½"F	1¼"F	24.5
165S	585	365	300	158	320	230	210	1½"F	1¼"F	25



All dimensions in mm unless otherwise stated.



SHALLOW WELL PUMPS																									
Pump Model	Jet Kit No.	Total Suction Head		Delivery Head in metres/feet												Maximum Shut-Off Pressure		Pressure Switch Setting							
				26	85	28	92	34	112	38	125	41	135	48	157					55	180	62	203	66	217
				Delivery Head in kPa/psi																					
				260	38	280	41	340	49	380	55	410	59	480	70					550	80	620	90	660	96
Output per minute in litres/gallons																									
m		ft														kPa	psi	kPa	psi						
95S 1ph 1.6kW * 1.1kW ◊ 7.2A	22690*	0	0	95	20.8	91	20.0	60	13.1	42	9.2	29	6.3					480	70						
		1.5	5	86	18.9	83	18.2	55	12.0	40	8.7	27	5.9					476	69	260	38				
	Jet-Black	4.0	13	70	15.3	69	15.1	45	9.8	30	6.5	17	3.7					450	65	to	to				
	Venturi-Green	6.0	20	55	12.0	55	12.0	37	8.1	22	4.8	10	2.1					430	62	380	55				
		7.5	25	42	9.2	42	9.2	34	7.4	15	3.2							412	60						
	22691	0	0			65	14.2	53	11.6	46	10.1	31	6.8	19	4.1			680	98						
		1.5	5			60	13.1	50	10.9	43	9.4	29	6.3	17	3.7			670	97	340	49				
	Jet-Brown	4.0	13			48	10.5	41	9.0	35	7.6	24	5.2	14	3.0			645	93	to	to				
	Venturi-White	6.0	20			38	8.3	37	8.1	32	7.0	21	4.6	11	2.4			630	91	510	74				
		7.5	25			31	6.8	31	6.8	28	6.1	20	4.3	10	2.1			620	90						
	125S 1ph 2.1kW * 1.4kW ◊ 8.5A	22693*	0	0	126	27.7	126	27.7	100	21.9	72	15.8	51	11.2					482	70					
			1.5	5	113	24.8	113	24.8	84	18.4	64	14.0	45	9.8					470	68	260	38			
Jet-Black		4.0	13	93	20.4	93	20.4	70	15.3	50	10.9	28	6.1					445	64	to	to				
Venturi-Black		6.0	20	70	15.3	70	15.3	59	12.9	36	7.9	11	2.4					425	62	380	55				
		7.5	25	57	12.5	57	12.5	43	9.4	18	3.9							400	58						
22694		0	0			90	19.7	78	17.1	67	14.7	47	10.3	28	6.1			660	96						
		1.5	5			82	18.0	73	16.0	63	13.8	43	9.4	24	5.2			650	94	340	49				
Jet-Green		4.0	13			67	14.7	66	14.5	56	12.3	37	8.1	19	4.1			630	91	to	to				
Venturi-Brown		6.0	20			53	11.6	53	11.6	52	11.4	34	7.4	16	3.5			615	89	510	74				
		7.5	25			44	9.6	44	9.6	44	9.6	33	7.2	15	3.2			605	88						
22695		0	0							60	13.1	45	9.8	31	6.8	20	4.3			780	113				
		1.5	5							54	11.8	39	8.5	28	6.1	17	3.7			750	109	410	59		
Jet-Yellow	4.0	13							48	10.5	36	7.9	25	5.4	15	3.2			730	106	to	to			
Venturi-White	6.0	20							38	8.3	33	7.2	23	5.0	13	2.8			710	103	590	86			
	7.5	25							31	6.8	28	6.1	19	4.1	10	2.1			690	100					
165S 1ph 2.4kW * 1.8kW ◊ 10.0A 3ph 2.3kW * 1.8kW ◊ 4.2A	22697*	0	0	165	36.2	165	36.2	105	23.0	77	16.9	62	13.6					490	71						
		1.5	5	144	31.6	144	31.6	90	19.7	67	14.5	53	11.6					480	70	260	38				
	Jet-White	4.0	13	120	26.3	120	26.3	82	18.0	58	12.7	38	8.3					454	66	to	to				
	Venturi-Yellow	6.0	20	90	19.7	90	19.7	76	16.7	52	11.4	26	5.7					440	64	380	55				
		7.5	25	70	15.3	70	15.3	60	13.1	32	7.0							415	60						
	22698	0	0			112	24.6	88	19.3	76	16.7	51	11.2	26	5.7			630	91						
		1.5	5			100	21.9	82	18.0	71	15.6	47	10.3	22	4.8			622	90	340	49				
	Jet-Red	4.0	13			88	19.3	75	16.4	64	14.0	41	9.0	16	3.5			598	87	to	to				
	Venturi-Red	6.0	20			70	15.3	64	14.0	57	12.5	32	7.0	8	1.7			572	83	510	74				
		7.5	25			54	11.8	54	11.8	50	10.9	26	5.7					552	80						
	22699	0	0									53	11.6	42	9.2	30	6.5	24	5.3	830	120				
		1.5	5									50	10.9	39	8.5	28	6.1	22	4.8	823	119	480	70		
Jet-Red	4.0	13									48	10.5	36	7.9	25	5.4	20	4.4	805	117	to	to			
Venturi-Green	6.0	20									43	9.4	34	7.4	23	5.0	17	3.7	795	115	660	96			
	7.5	25									34	7.6	32	7.0	21	4.6	16	3.5	778	113					

★ Input kW (P₁) ◊ Output kW (P₂)

Important Information

* Denotes standard configuration. Models 95S, 125S & 165S may be converted to higher pressure by fitting relevant Jet & Venturi.

- Plumbing Connections: Inlet – 1½” (38 mm) BSPP Female. Outlet – 1¼” (32mm) BSPP Female – all models.
- To convert litres/minute to gallons/hour multiply by 13.2. All imperial data is an approximation of metric figures. Specifications subject to change without notice.
- All models are supplied with plug and lead for 220/250 volt 50Hz operation.



davey.com.au | daveynz.co.nz

This literature is not a complete guide to product usage. Further information is available from your Davey Dealer, Davey Support Centre and from the relevant product Installation and Operating Instructions. Must be read in conjunction with the relevant product Installation and Operating Instructions and all applicable statutory requirements. Product specifications may change without notice.
 © Davey is a registered trademark of Davey Water Products Pty Ltd. © Davey Water Products Pty Ltd 2014.