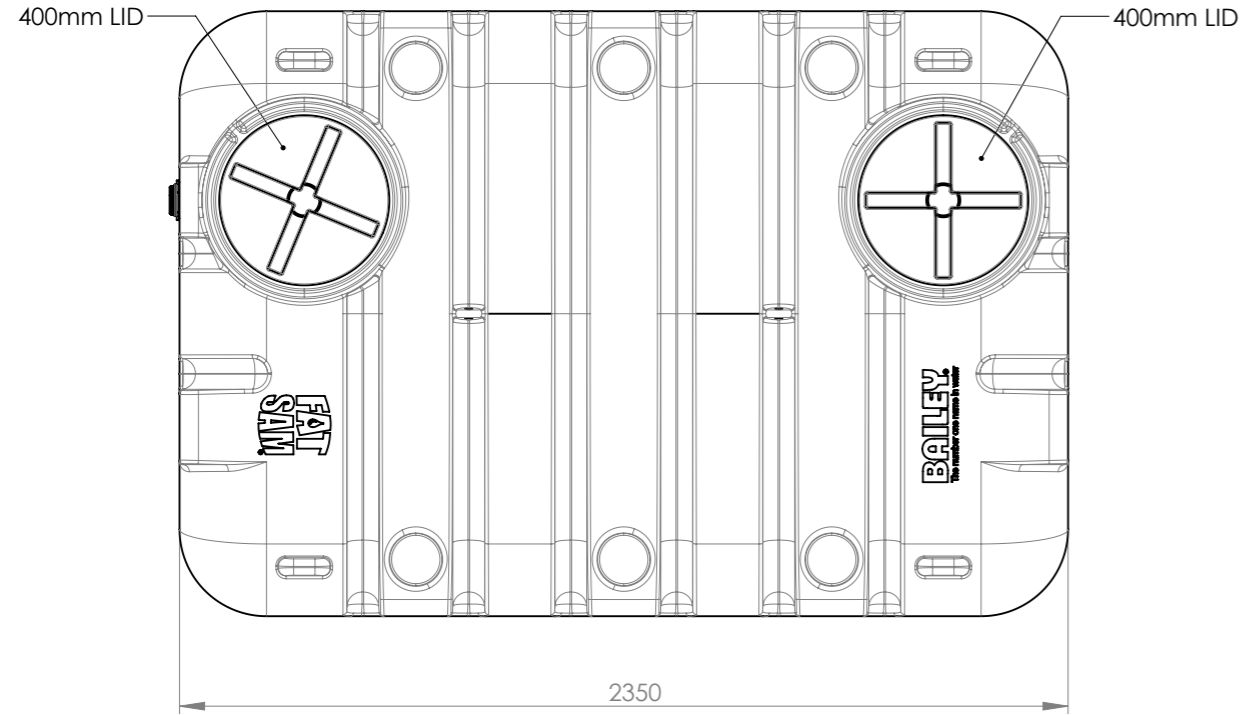
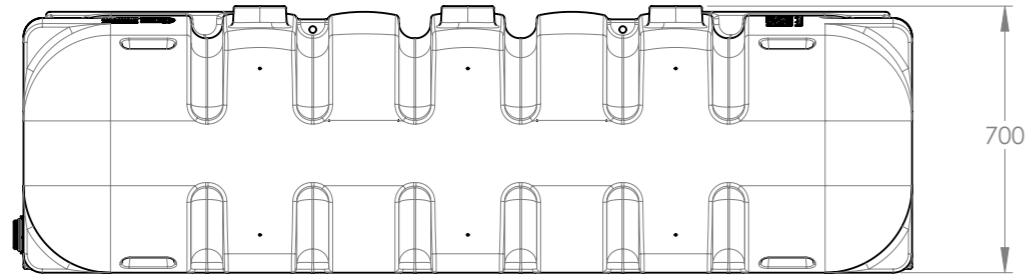


REVISION NO	DESCRIPTION	DATE	DRAWN BY
-	INITIAL RELEASE	19.07.2020	DIB

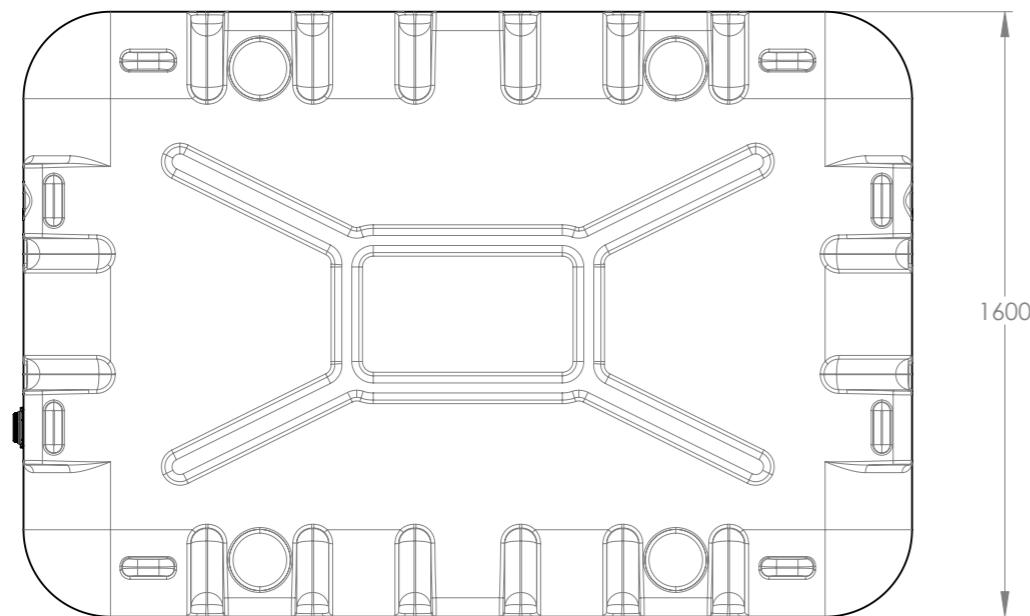
**PLAN VIEW
SCALE 1:20**



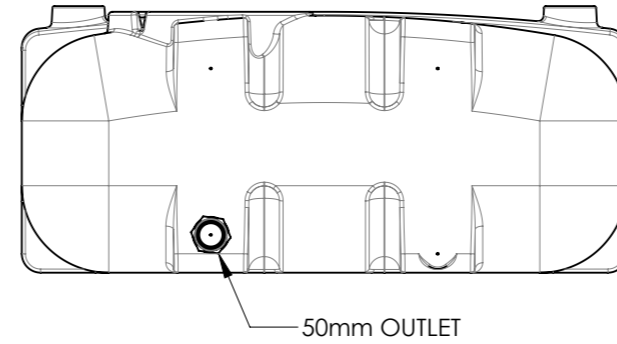
**SIDE VIEW
SCALE 1:20**



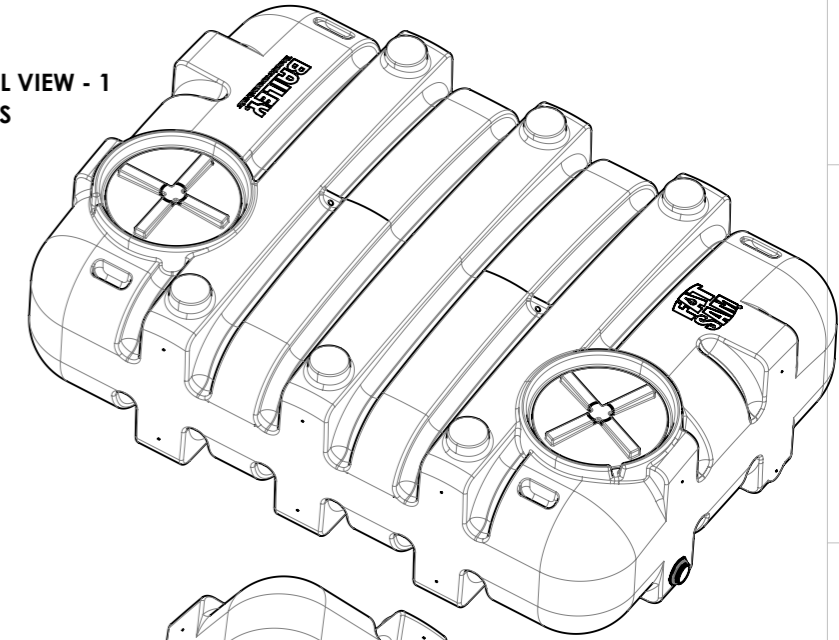
**BOTTOM VIEW
SCALE 1:20**



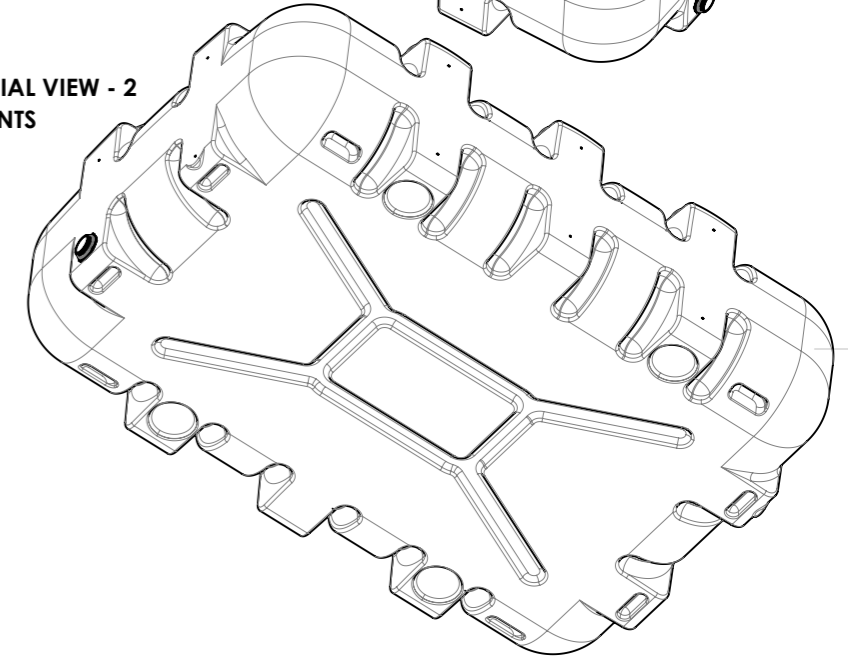
**END VIEW
SCALE 1:20**



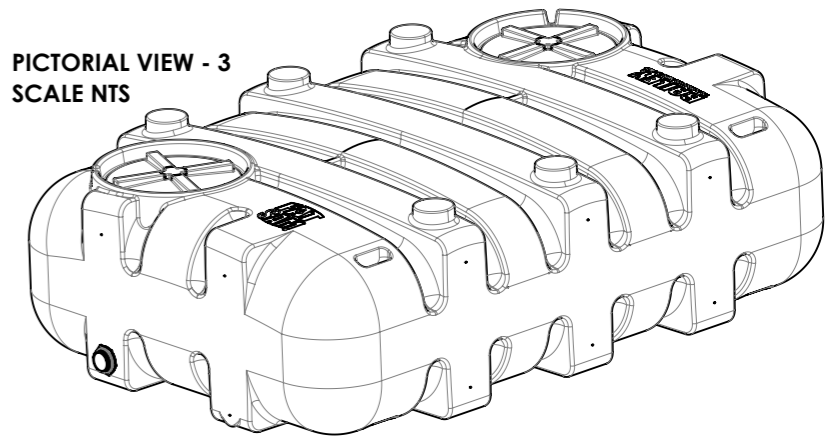
**PICTORIAL VIEW - 1
SCALE NTS**



**PICTORIAL VIEW - 2
SCALE NTS**



**PICTORIAL VIEW - 3
SCALE NTS**



	NAME	DATE
DRAWN	D.I.B.	13 JULY 2020
CHK'D		
APP'VD		

DIMENSIONS OF ROTO MOULDED PARTS ARE APPROX DUE TO VARIATIONS IN THE MANUFACTURING PROCESS

DO NOT SCALE DRAWING

Copyright Bailey Tanks Limited 2020

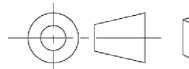
WEIGHT: 85KG

Bailey Tanks Limited
 36 Ash Road, Wiri, Auckland, New Zealand
 Tel: + 64 9 2627070 Fax: +64 9 2627071
 Web: www.baileytanks.com
 Email: info@baileytanks.com



DWG NO.

FAT SAM Under Deck
 Tank 2000L



A3

SCALE: 1:20

SHEET 1 OF 1

REVISION: