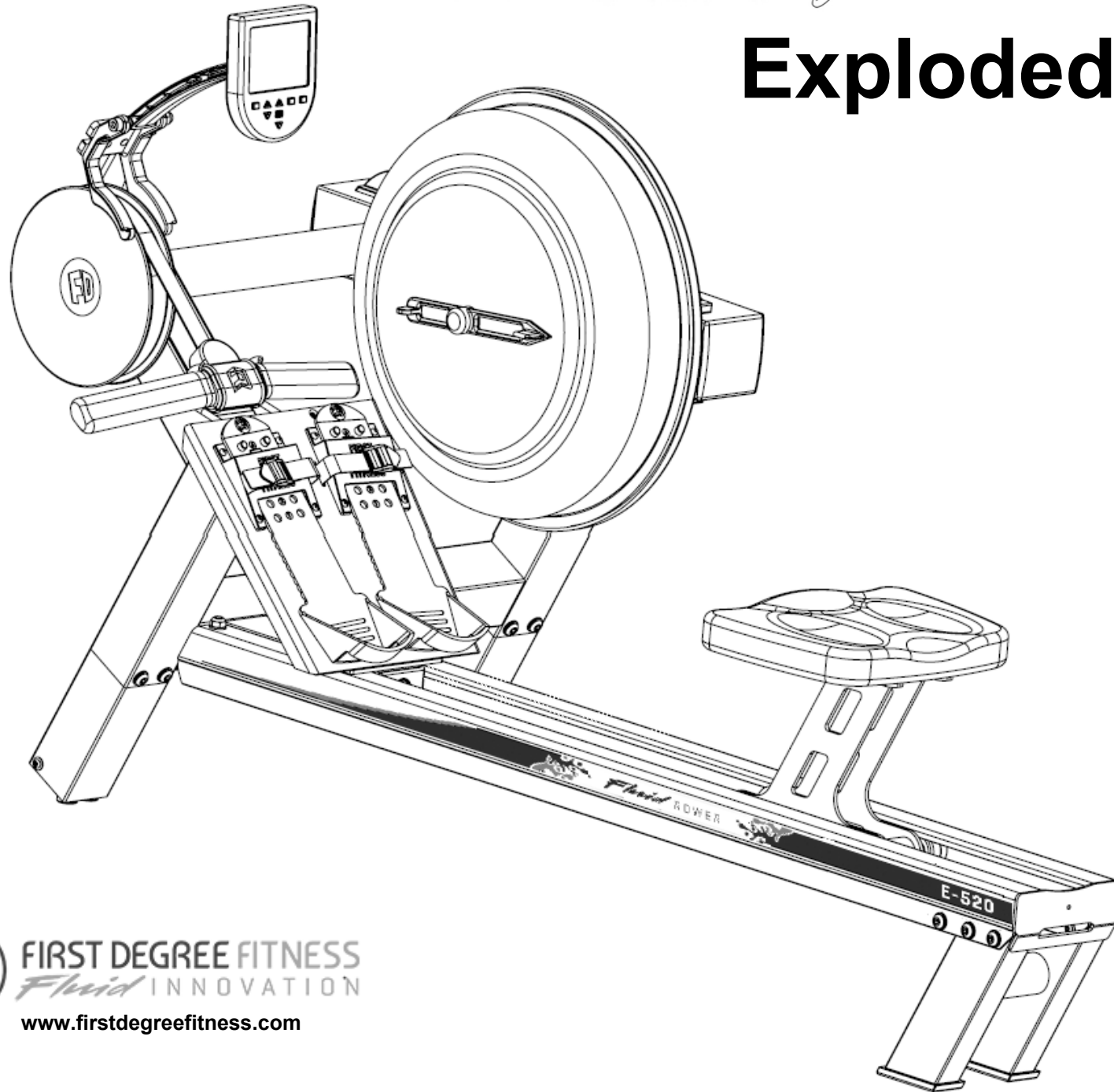
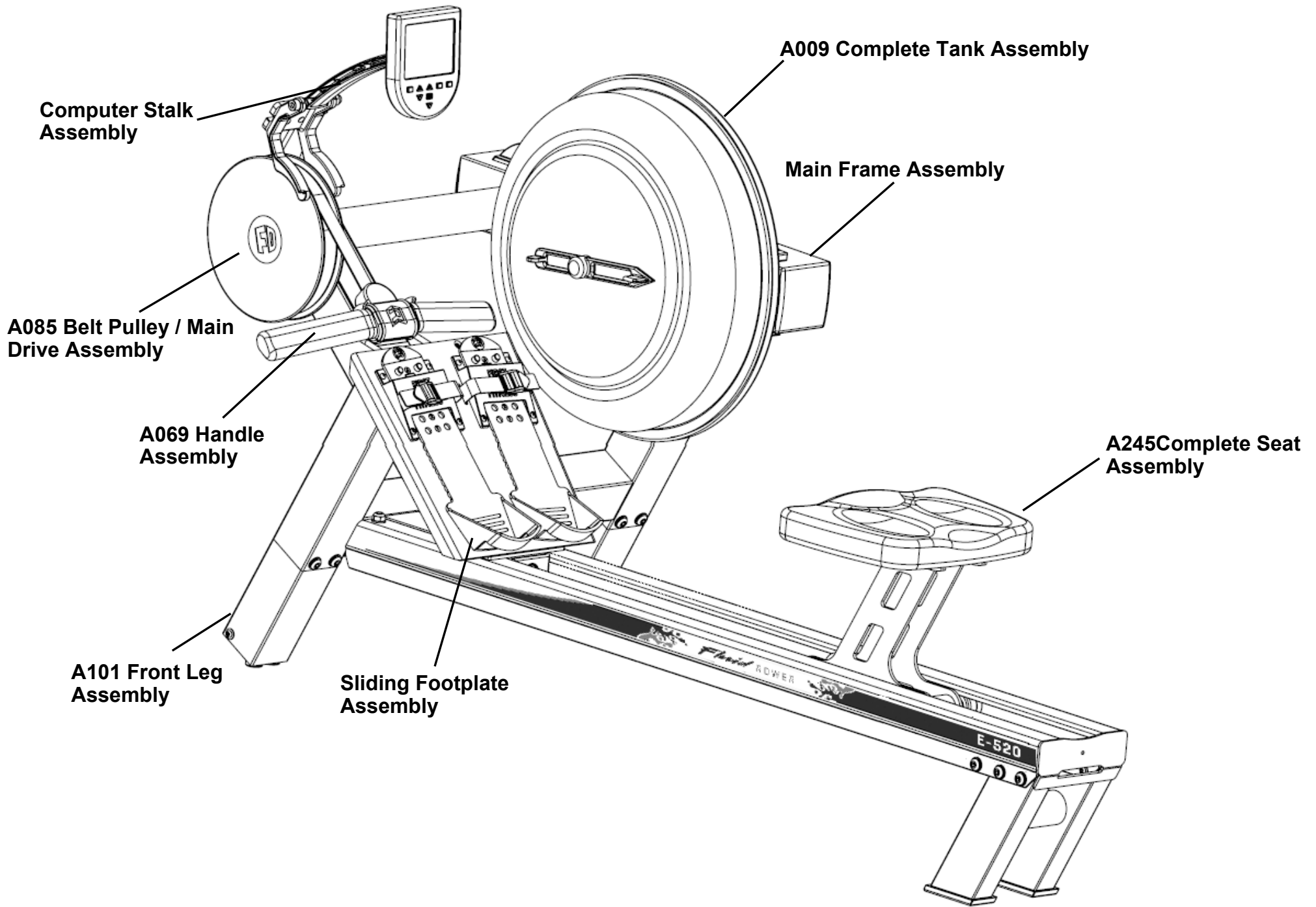


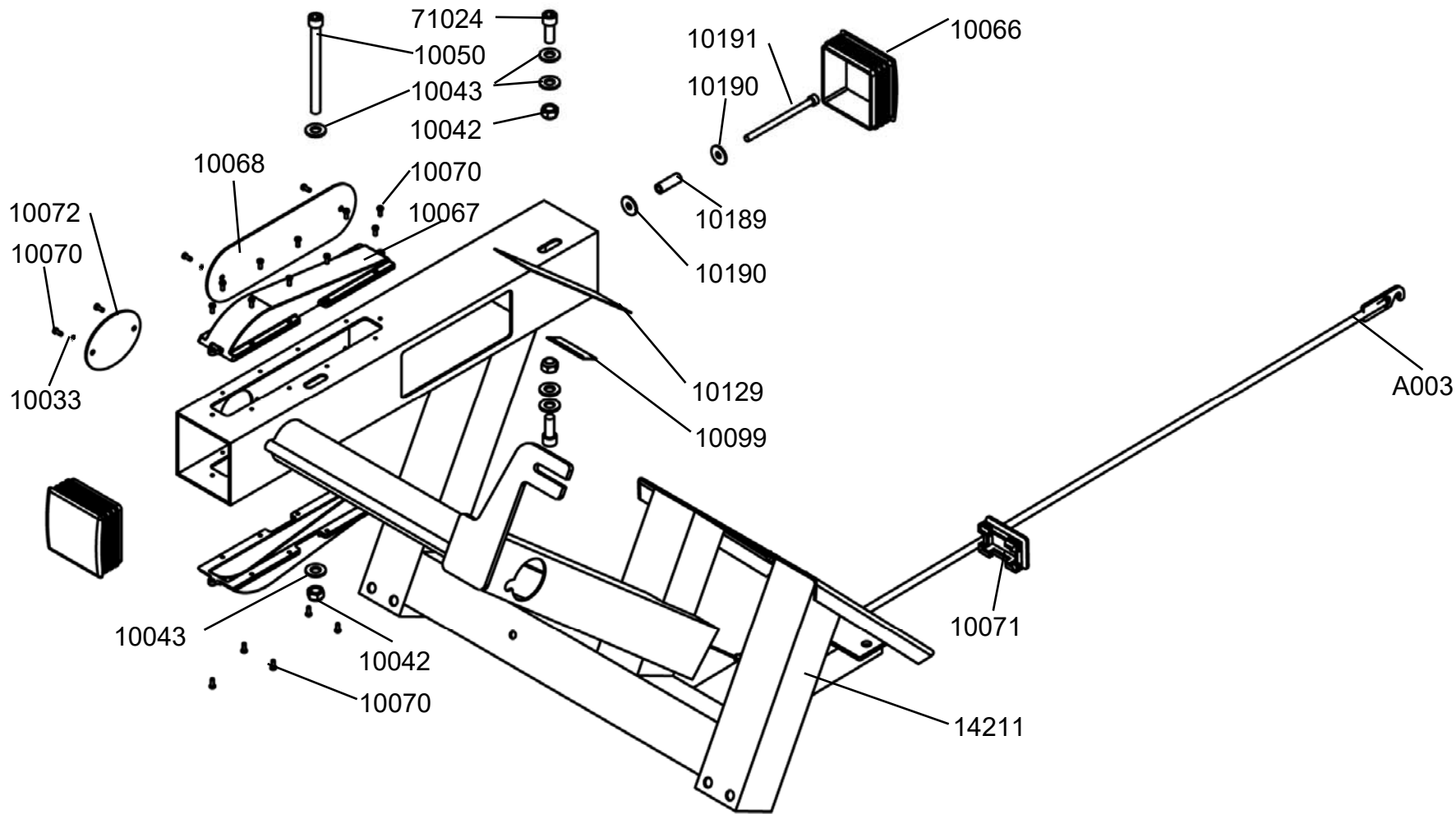
E-520 *Fluid* ROWER

Exploded Diagram



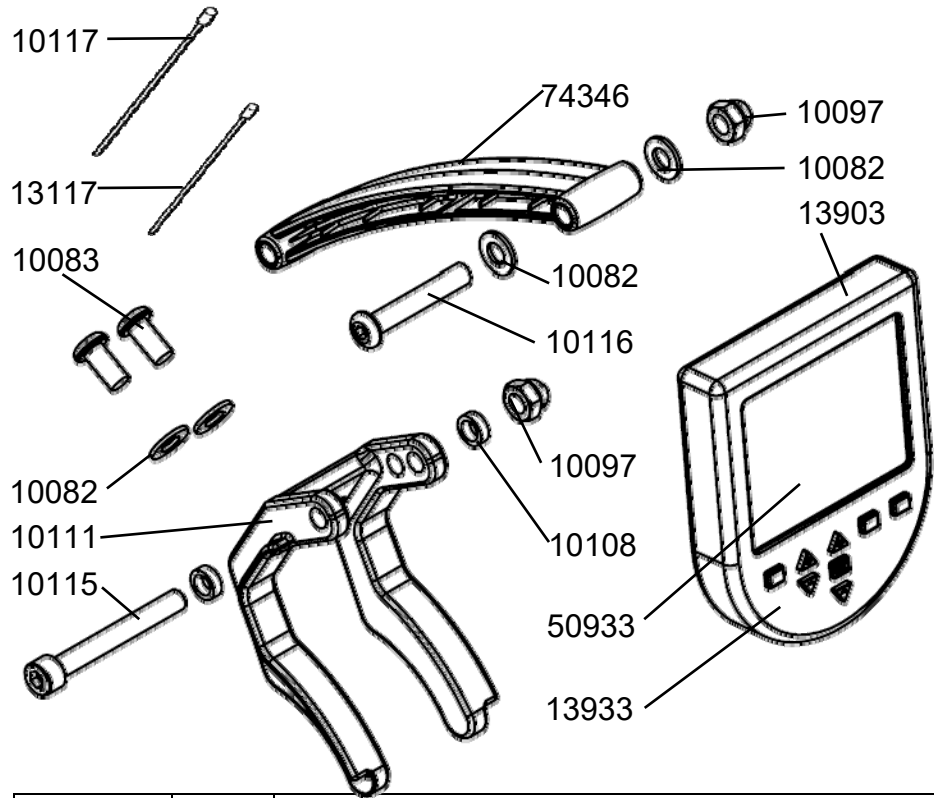


Main Frame Assembly



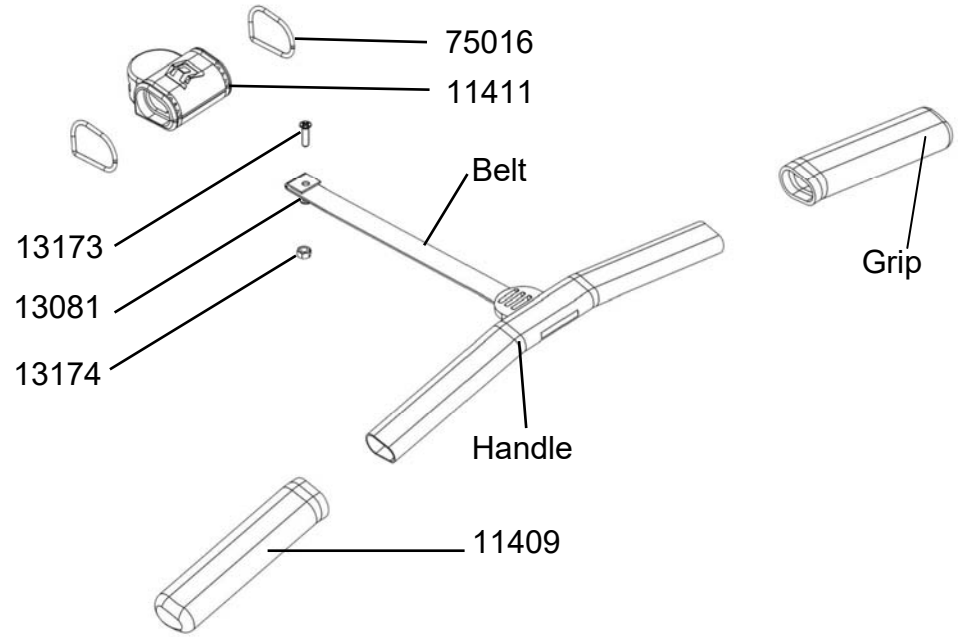
10033	4	Washer 10x4.2x1 SUS	10072	1	Small Steel Side Cover 100mm
10042	3	Nylock Nut M12	10099	1	Decal - Caution 216/316
10043	6	Washer M12	10129	1	Decal - "How to Row"
10050	1	Hex Head Bolt M12x150	10189	1	Tank Tension Adjustment Bushing
10066	2	End Cap 100x100mm	10190	2	Washer M8x26x2
10067	2	Rubber Cover for Large PK Pulley	10191	1	Hex Head Bolt M8x120
10068	1	Large Steel Side Cover 276mm	14211	1	Main Frame Complete - E520
10070	24	Round Head Phillips Screw M4x10	71024	2	Hex Head Bolt M12x30
10071	1	End Cap Rubber 75x50mm			

Computer Stalk Assembly



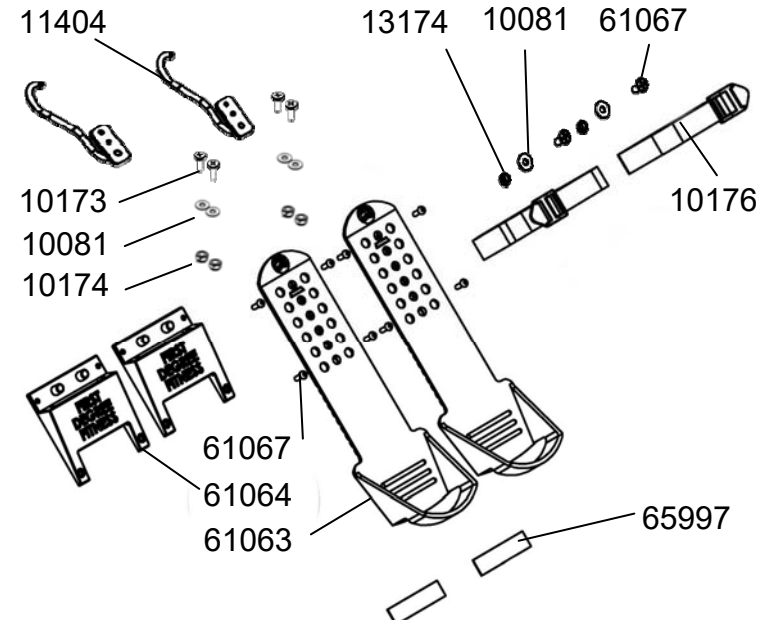
10082	4	Washer M10x21x2
10083	2	Dome Head Bolt M10x20
10097	2	Nut Dome Head M10
10108	2	Spacer for Computer Mount
10111	1	Belt Guard Aluminum
10115	1	Hex Head Bolt M10x80
10116	1	Dome Head Bolt M10x60
10117	1	Computer Wiring 1200mm
13117	1	Heart Rate Wiring 1050mm-Upper
13903	1	IPM with USB without HR
13933	1	IPM Button Face
50933	1	LCD for IPM
74346	1	Computer Stalk

A069 Handle Assembly E520/VX-3



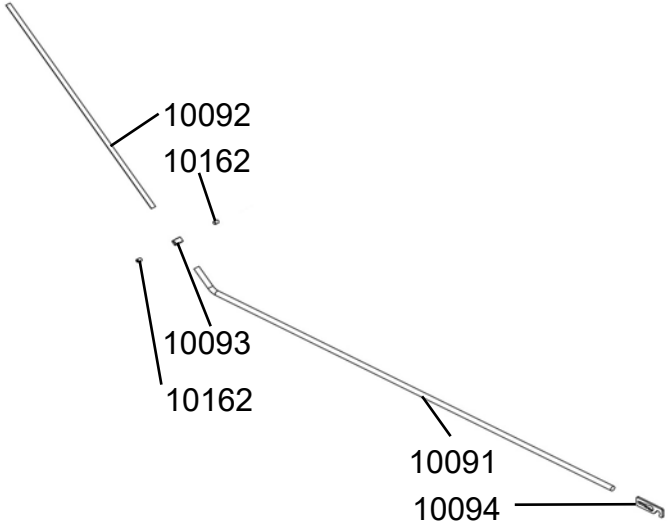
10081	1	Washer M6
11409	2	Handle Grip - Deluxe
11411	1	Handle Rubber Cover
11412	1	Handle With Belt 2000mm And Grips #11409
13173	1	Counter Sunk Bolt M5x25
13174	1	Nylock Nut M5
75016	2	O-Ring - Deluxe Handle

Sliding Footplate Assembly



10081	6	Washer M6x16x1
10173	4	Counter Sunk Bolt M6x15
10174	4	Nylock Nut M6
10176	2	Foot Strap & Buckle
13174	2	Nylock Nut M5
11404	2	Bar Catch - 520
61063	2	Footplate Slider with Velcro #65997
61064	2	Footplate Slider Base 120x111x22.8
61067	10	Dome Head Bolt M5x15
65997	2	Velcro For Sliding Footplate

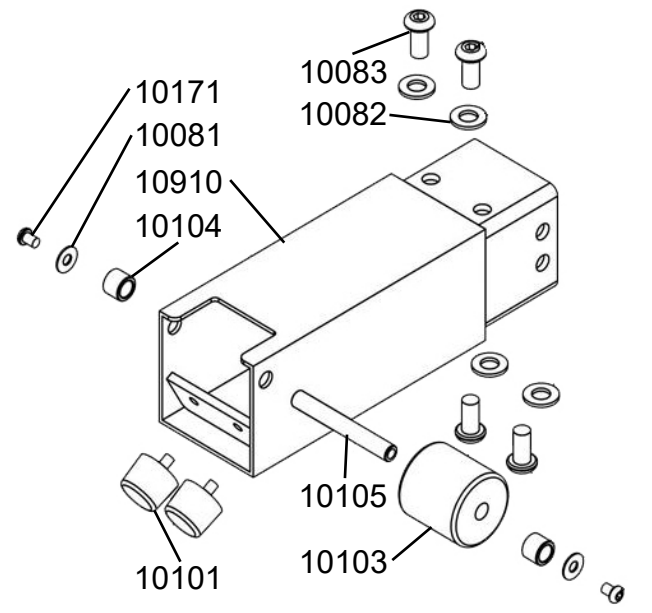
A003 Bungee Assembly



Note to Distributor/Retailer: The parts listed here are not sold separately.

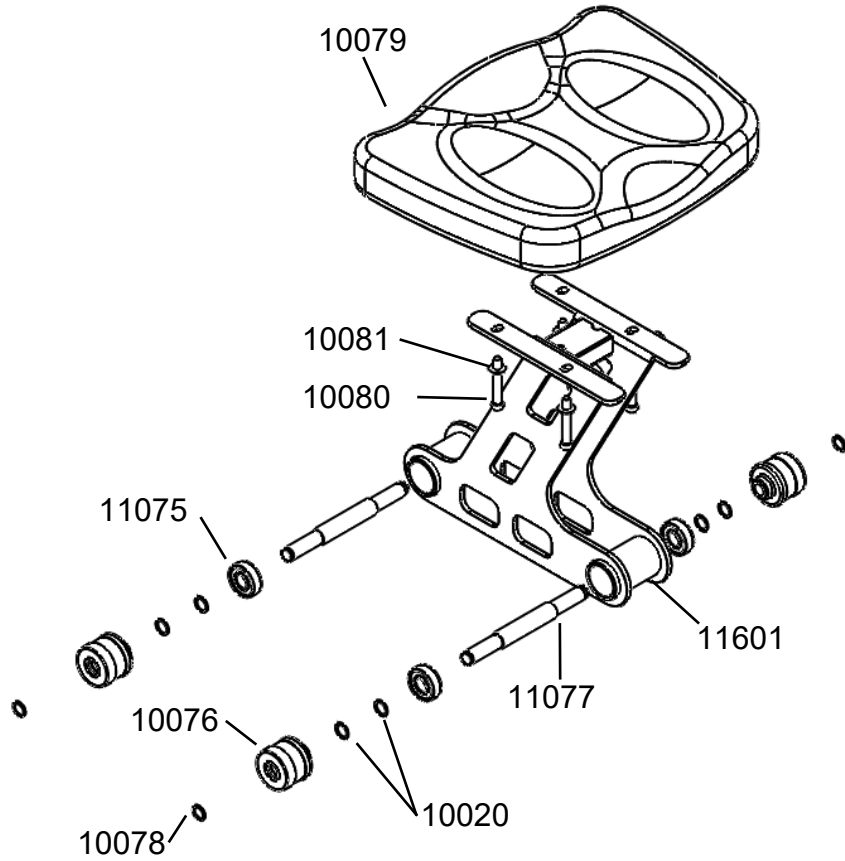
10091	1	Bungee 12mm
10092	1	Belt
10093	1	Shock Cord Joiner
10094	1	Bungee End Hook
10162	2	Tapping Screws M8x10

A101 Front Leg Assembly



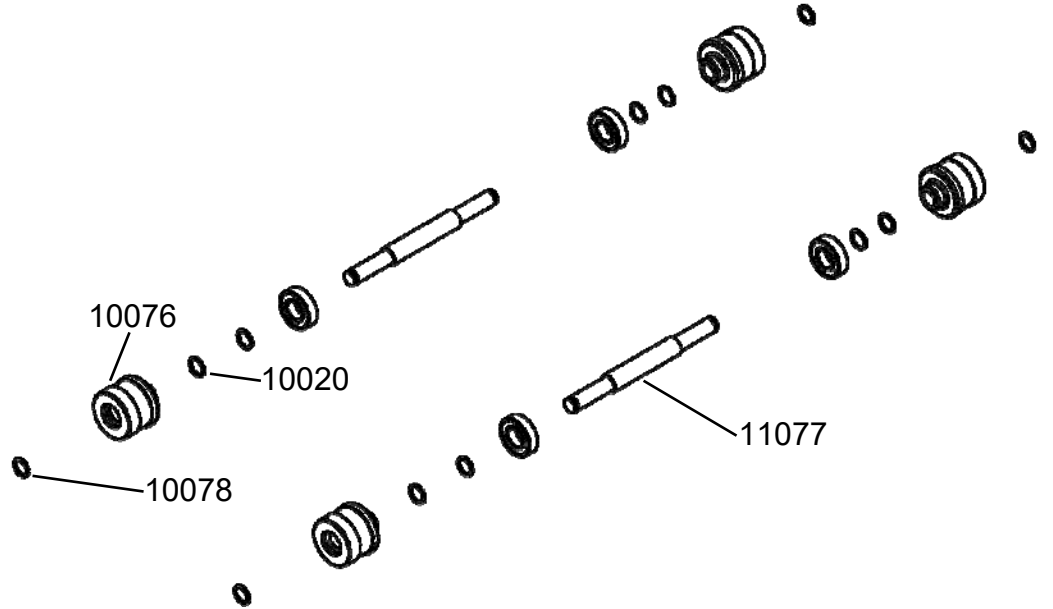
10081	2	Washer M6x16x1
10082	4	Washer M10x21x2
10083	4	Dome Head Bolt M10x20
10101	2	Rubber Bumper TT500
10103	1	Transport Wheel
10104	2	Plastic Spacer 15x10.1x12
10105	1	Shaft
10171	2	Dome Head Bolt M6x8
10910	1	Front Leg - E520

A245 Complete Seat Assembly E316/520



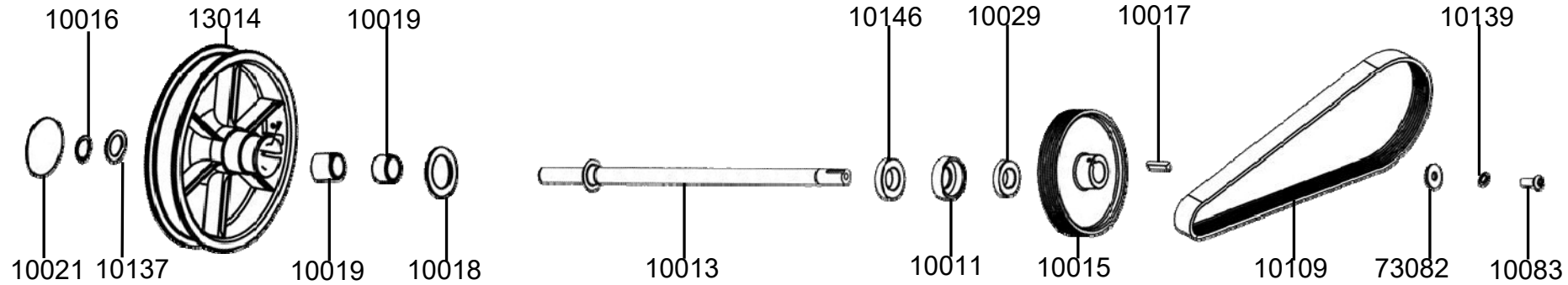
10020	8	Seat Spacer 1x12.5x16mm
10076	4	Seat Wheel Polyurethane
10078	4	C Clip ISTW-12
10079	1	Seat LS-E28
10080	4	Bolt M6x20mm
10081	4	Washer M6
11075	4	Bearing Seat Frame
11077	2	Axle Shaft
11601	1	Seat Frame

A201 Seat Wheel Kit E316/E520/VX-2/VX-3



10020	8	Seat Spacer 1x12.5x16
10076	4	Seat Wheel Polyurethane
10078	4	C Clip ISTW-12
11077	2	Axle Shaft

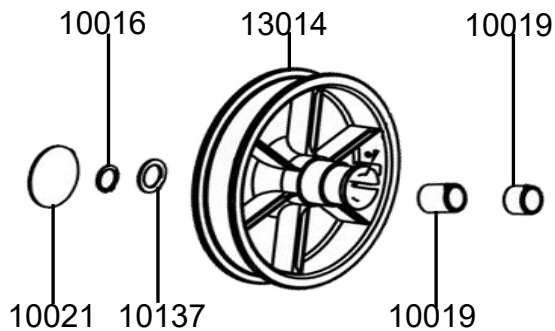
A085 Belt Pulley/Main Drive Assembly E520/VX3



10011	1	Bearing Housing on Pulley Shaft
10013	1	Main Pulley Shaft & Shaft Sleeve Bearing Mount
10015	1	Large PK Transmission Pulley 150mm
10016	1	C Clip STW-25
10017	1	Key Way 7x7x32
10018	1	Nylon Pulley Spacer 60x40x6.5
10021	1	Decal - Belt Pulley
10029	1	Bearing FAG6005ZZ

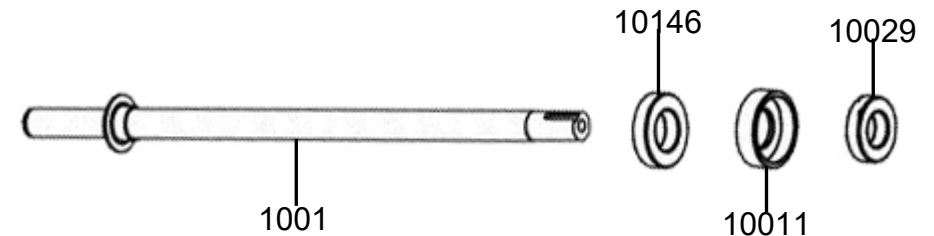
10083	1	Dome Head Bolt M10x20
10109	1	PK Belt 7 Rib 926mm Hutchinson
10137	1	Belt Pulley Spacer 38*25.5*2t
10139	1	Spring Washer M10 5.25x8.4x2
10146	1	Ball Bearing NSK6006ZZ
13014	1	Belt Pulley & 2 x INA One Way Bearings #10019
73082	1	Washer 30*10.2*3t SUS

A002 ABS Belt Pulley Assembly E520/VX3



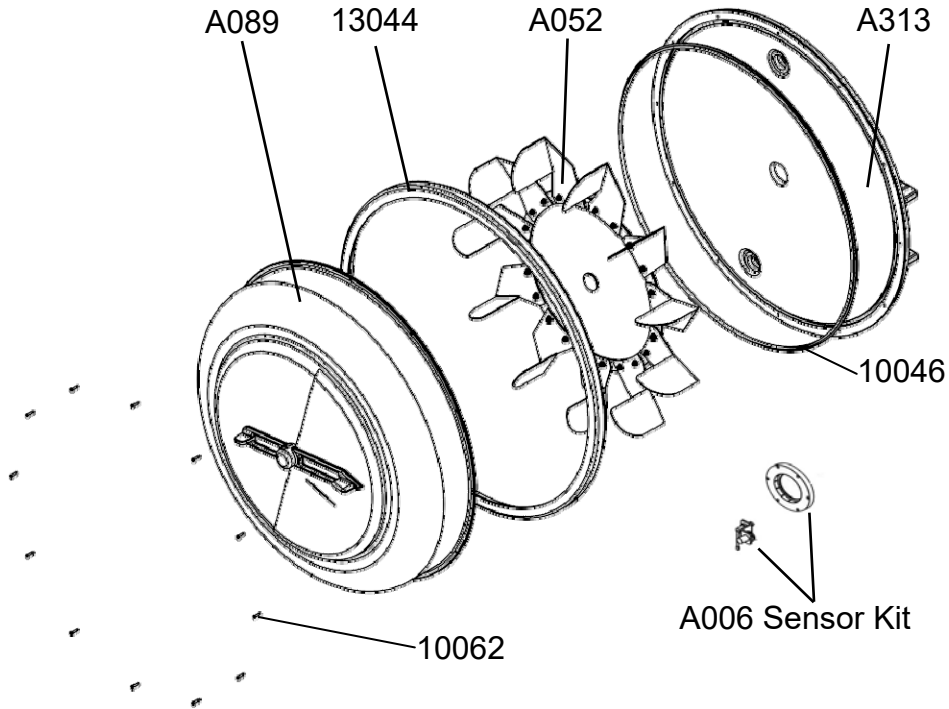
10016	1	C Clip STW-25
10021	1	Decal - Belt Pulley
10137	1	Belt Pulley Spacer 38*25.5*2t
13014	1	Belt Pulley & 2 x INA One Way Bearings #10019

A017 Main Pulley Shaft Kit



10011	1	Bearing Housing on Pulley Shaft
10012	1	Bearing NSK6005ZZ
10013	1	Main Pulley Shaft & Shaft Sleeve Bearing Mount
10029	1	Bearing FAG6005ZZ
10146	1	Ball Bearing NSK6006ZZ

A009 Complete Tank Assembly



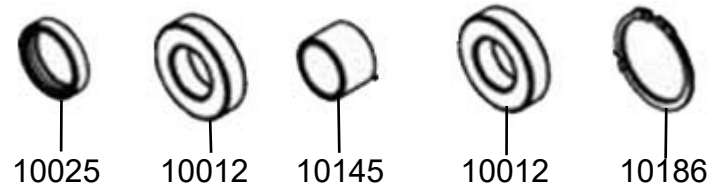
A009 Complete Tank Assembly

10046	1	Tank Large Seal
10062	12	Round Head Phillips Screw M3x12 SUS
13044	1	Tank Outer Cover Ring - Blue
A052	1	Flywheel Assembly E520/VX3
A089	1	Tank Cover Assembly
A313	1	TTank Back Kit - Gray

A006 Sensor Kit

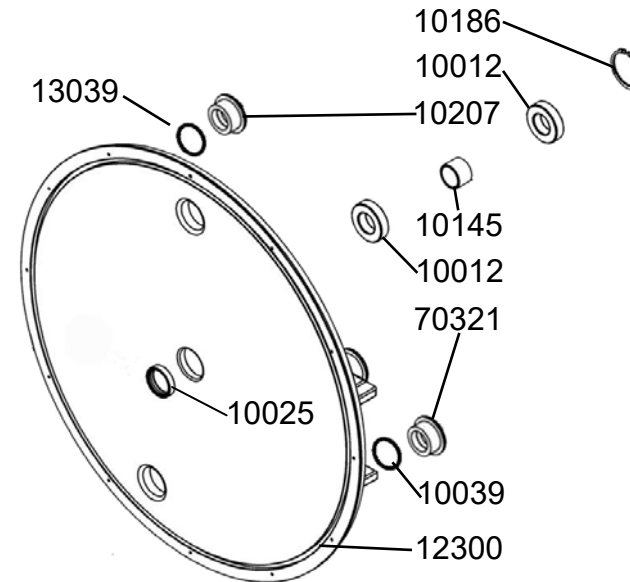
10157	1	Speed Sensor 300mm
10156	1	Sensor mounting bracket
10158	1	Magnetic Ring & 6x Rare Earth Magnet 4mm #10057
20150	1	M10x15 sensor bracket bolt

A012 Tank Bearing & Seal Kit



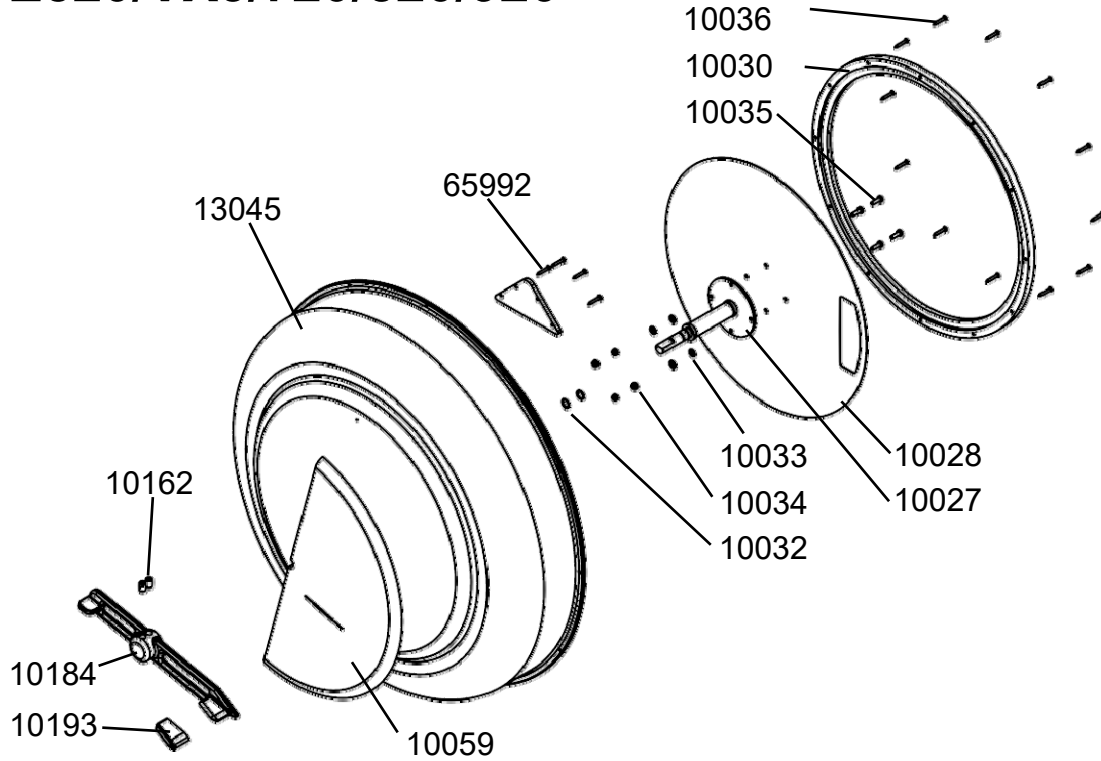
10012	2	Bearing NSK6005ZZ
10025	1	Seal NBR 37x30x8t for Flywheel Shaft
10145	1	Bearing Spacer 30x25.1x20.5mm
10186	1	C Clip RTW-48

A313 Tank Back Kit— Gray



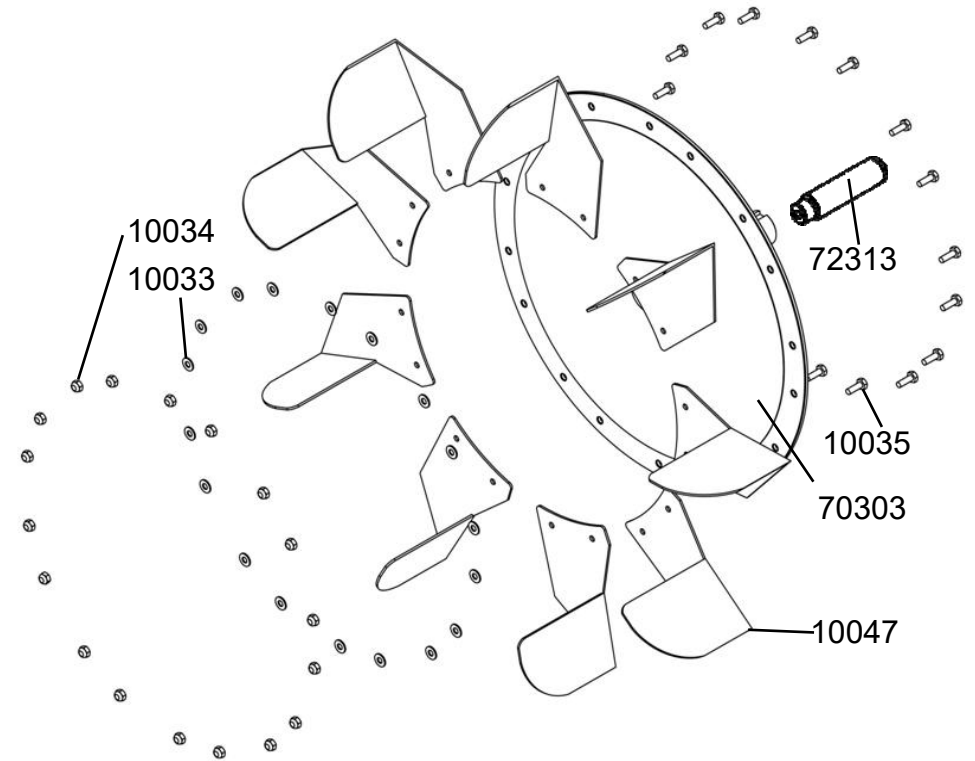
10012	2	Bearing NSK6005ZZ
10025	1	Seal NBR 37x30x8t for Flywheel Shaft
10039	1	O Ring 32X3.5
10145	1	Bearing Spacer 30x25.1x20.5mm
10186	1	C Clip RTW-48
10207	1	Wing Plug Yellow With Fat O-ring #13039
12300	1	Tank Back - Gray
13039	1	Flat O Ring 33XØ4
70321	1	Tank Plug Black(Decal—Do Not Remove)

A089 Tank Cover Assembly E520/VX3/720/820/920



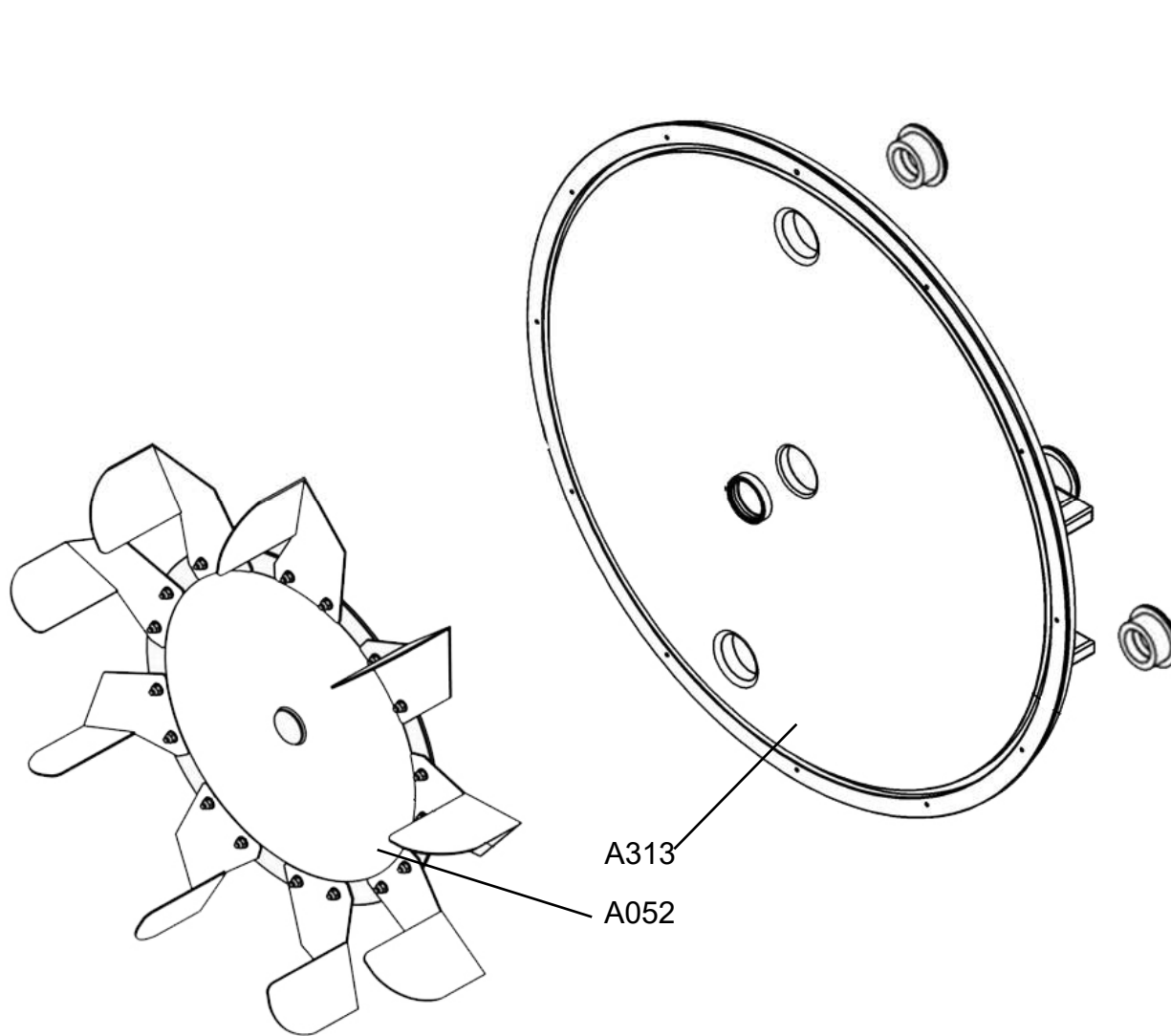
10027	1	Adjuster Handle Shaft
10028	1	Backing Plate 0.8mm SUS
10030	1	Adjuster PP Tank Ring 358x10
10032	2	Nylon Resistance Adjuster O Ring 12x9x1.5
10033	4	Washer 10x4.2x1 SUS
10034	4	Nut M4 SUS
10035	4	Hex Bolt M4 SUS
10036	12	Counter Sunk Tapping Screw M3x20 SUS
10162	2	Tapping Screws M8x10
10184	1	Adjuster Handle & PU Cover P/N #10193
13045	1	PC Tank Cover & Level Decal 20R - Blue #10059
65992	4	Counter Sunk Bolt M3x12-SUS

A052 Flywheel Assembly E520/VX3



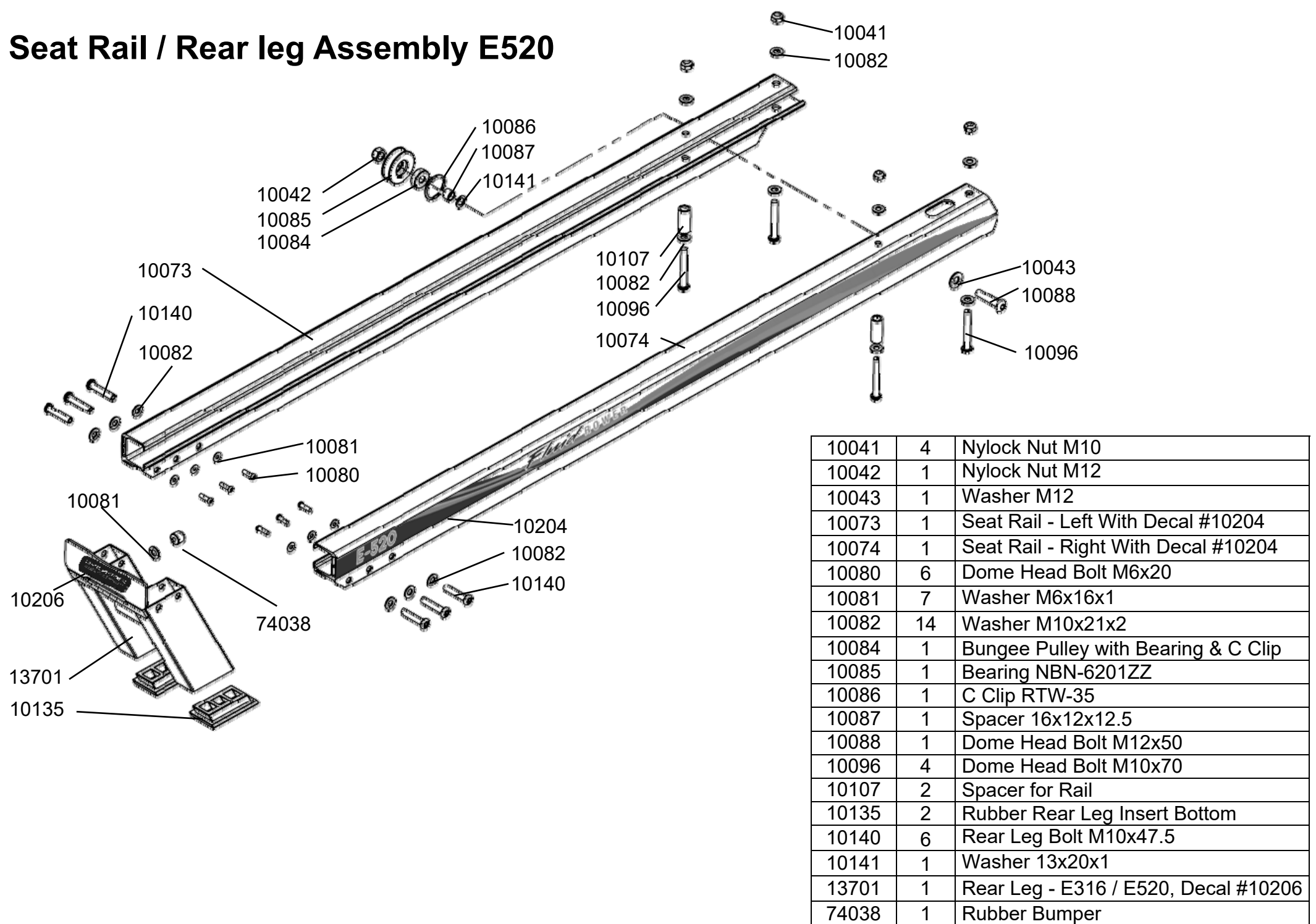
10033	18	Washer 10x4.2x1 SUS
10034	18	Nut M4 SUS
10035	18	Hex Bolt M4 SUS
10047	9	Impeller Blade
70303	1	Flywheel E316/VX2/E520/VX3
72313	1	Impeller Shaft E520/VX3

A154 Tank Back and Flywheel Complete Assembly—E520/ VX3



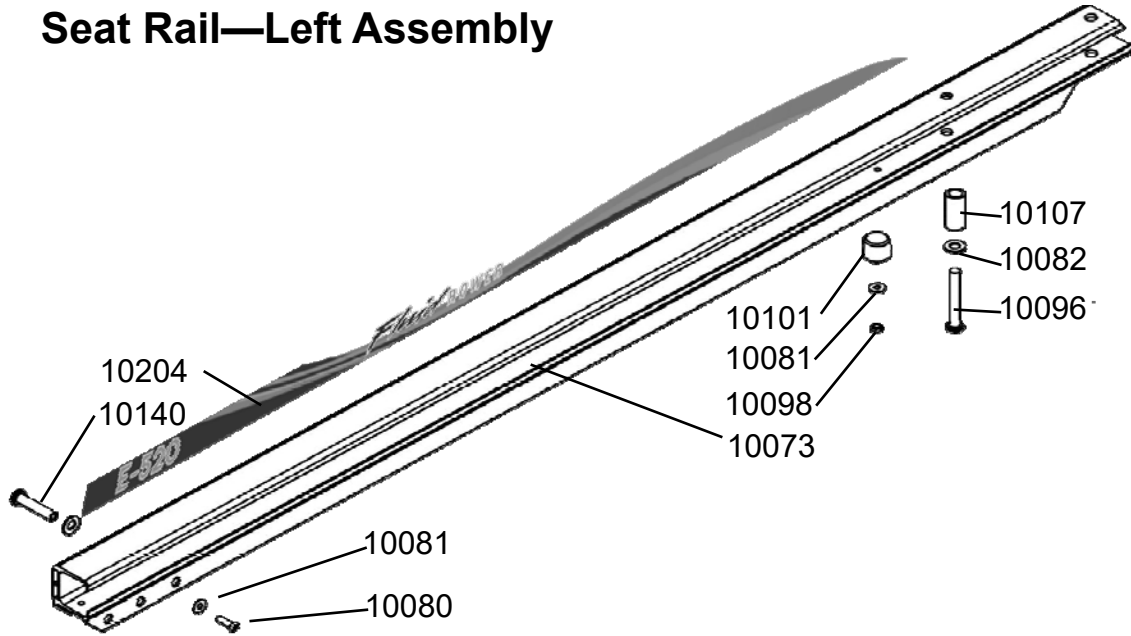
10017	1	Key Way 7x7x32
10026	1	Small PK Transmission Pulley 50mm
10083	1	M10x20 Bolt
10139	1	Spring Washer M10 5.25x8.4x2
73082	1	Washer 30*10.2*3t SUS
A052	1	Flywheel Assembly E520/VX3
A313	1	Tank Back Kit - Gray

Seat Rail / Rear leg Assembly E520



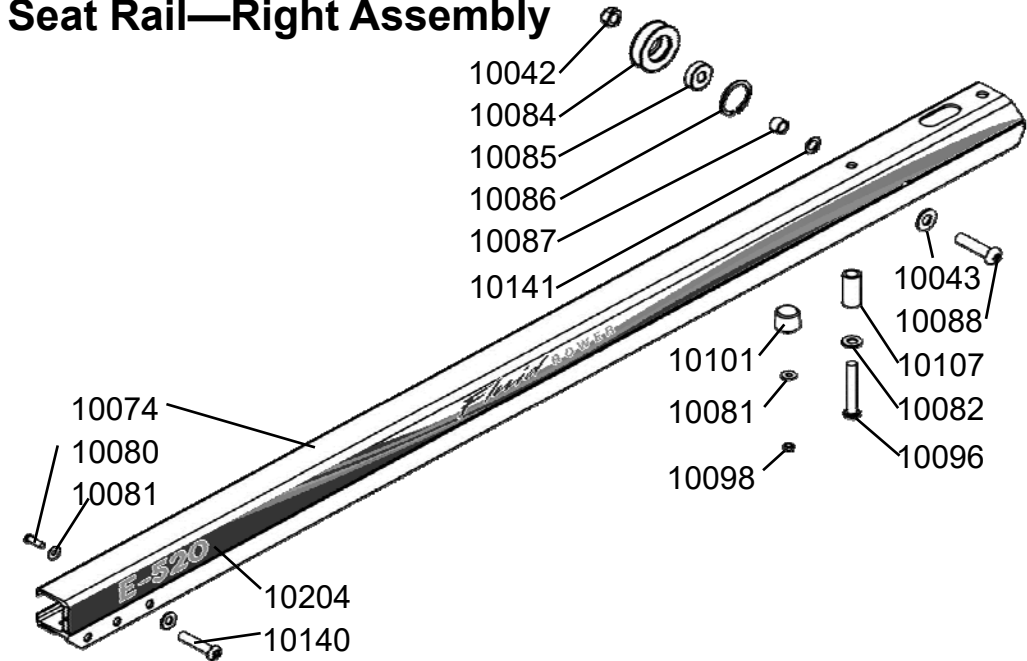
A018 Seat Rail Set Complete—E520 S/N Before

Seat Rail—Left Assembly



10073	1	Seat Rail - Left With Decal #10204
10080	1	Dome Head Bolt M6x20
10081	2	Washer M6x16x1
10082	2	Washer M10x21x2
10096	1	Dome Head Bolt M10x70
10098	1	Nut M6
10101	1	Rubber Bumper TT500
10107	1	Spacer for Rail
10140	1	Bolt M10x47.5mm

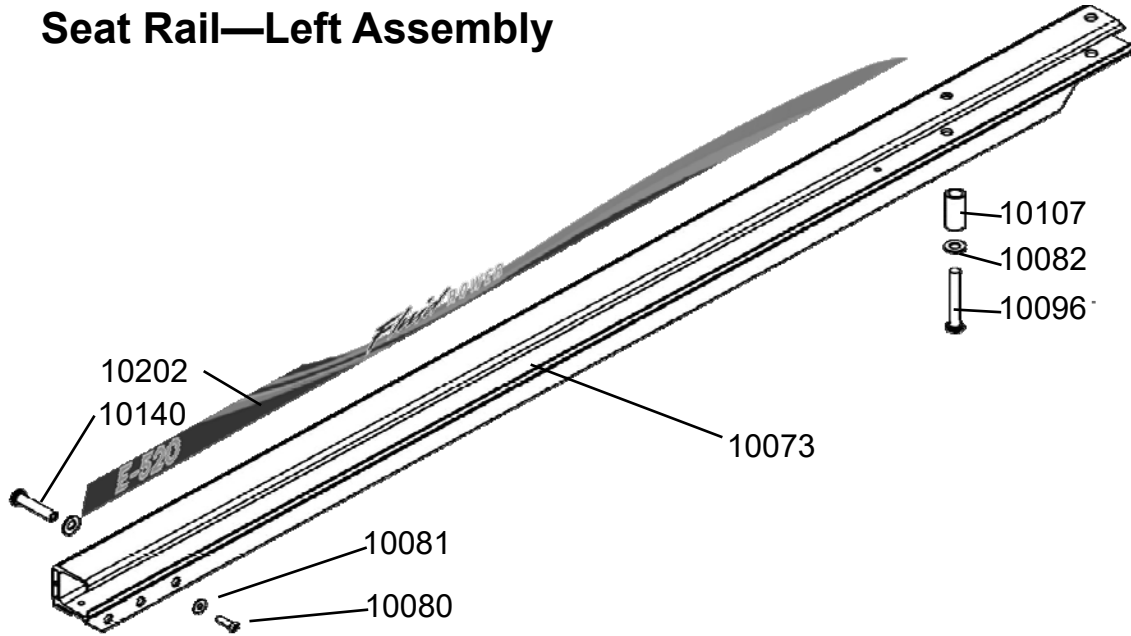
Seat Rail—Right Assembly



10042	1	Nylock Nut M12
10043	1	Washer M12
10074	1	Seat Rail - Right With Decal #10204
10080	1	Dome Head Bolt M6x20
10081	2	Washer M6x16x1
10082	2	Washer M10x21x2
10084	1	Bungee Pulley with Bearing & C Clip
10085	1	Bearing NBN-6201ZZ
10086	1	C Clip RTW-35
10087	1	Spacer 16x12x12.5
10088	1	Dome Head Bolt M12x50
10096	1	Dome Head Bolt M10x70
10098	1	Nut M6
10101	1	Rubber Bumper TT500
10107	1	Spacer for Rail
10140	1	Bolt M10x47.5mm
10141	1	Washer 13x20x1

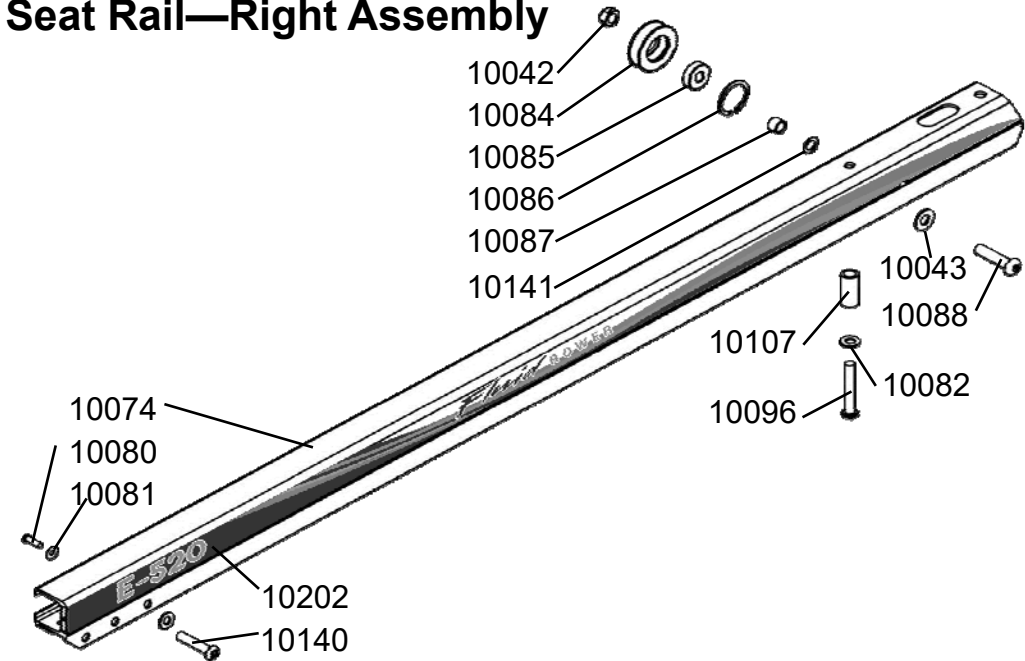
A128 Seat Rail Set Complete—E520 S/N After

Seat Rail—Left Assembly

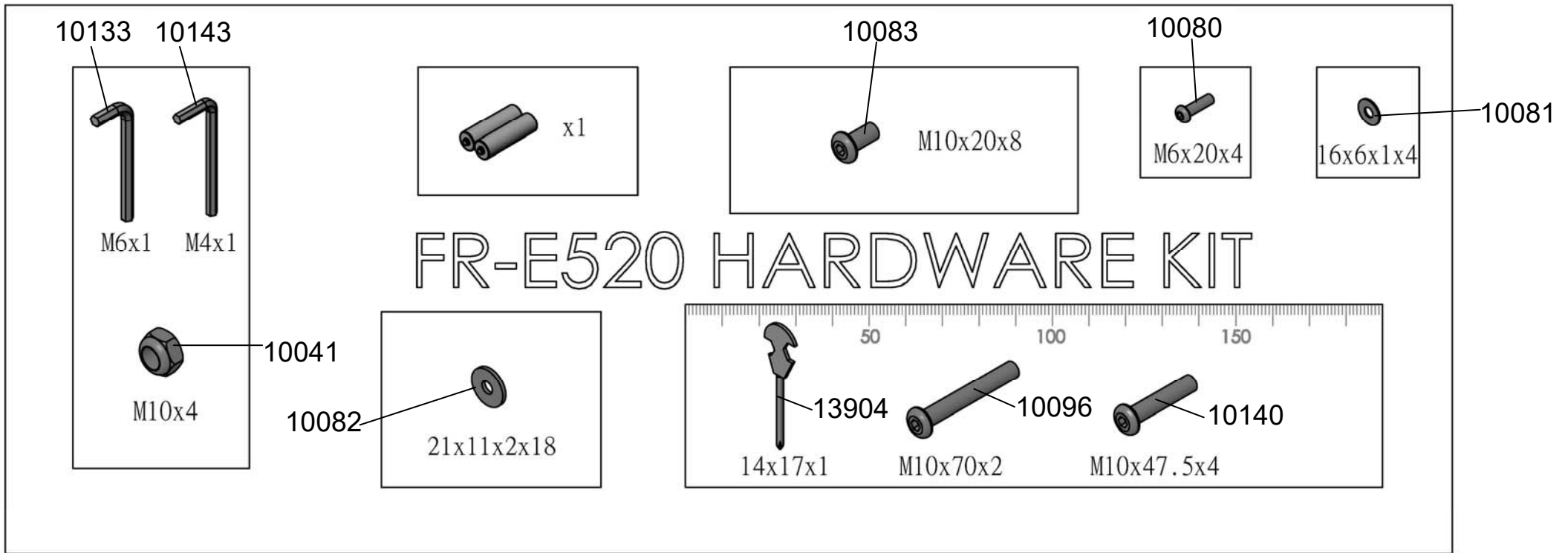


10073	1	Seat Rail - Left With Decal #10204
10080	1	Dome Head Bolt M6x20
10081	1	Washer M6x16x1
10082	2	Washer M10x21x2
10096	1	Dome Head Bolt M10x70
10107	1	Spacer for Rail
10140	1	Bolt M10x47.5mm

Seat Rail—Right Assembly



10042	1	Nylock Nut M12
10043	1	Washer M12
10074	1	Seat Rail - Right With Decal #10204
10080	1	Dome Head Bolt M6x20
10081	1	Washer M6x16x1
10082	2	Washer M10x21x2
10084	1	Bungee Pulley with Bearing & C Clip
10085	1	Bearing NBN-6201ZZ
10086	1	C Clip RTW-35
10087	1	Spacer 16x12x12.5
10088	1	Dome Head Bolt M12x50
10096	1	Dome Head Bolt M10x70
10107	1	Spacer for Rail
10140	1	Bolt M10x47.5mm
10141	1	Washer 13x20x1



10041	4	Nut M10 Nylock
10080	4	Bolt M6x20
10081	4	Washer M6
10082	18	Washer M10
10083	8	Bolt M10x20
10096	2	Bolt M10x70 for Aluminum Rail
10133	1	6mm Allen Key
10140	4	Rear Leg Bolt M10x47.5mm
10143	1	4mm Allen Key
13904	1	Multi-Tool
N/A	2	AA Battery