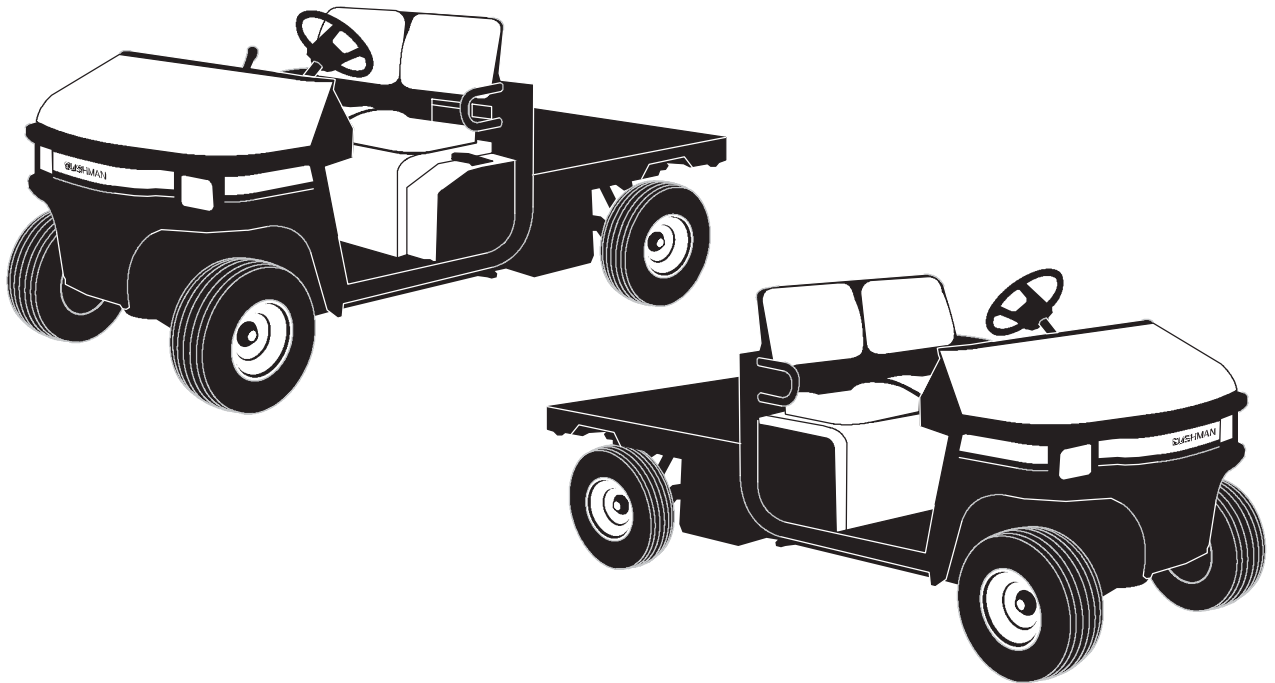


29189-G01

CUSHMAN
A Textron Company



SERVICE PARTS MANUAL



HAULSTER®

STARTING MODEL YEAR: 2004

SERVICE PARTS MANUAL

GASOLINE POWERED UTILITY VEHICLE

HAULSTER[®]

E-Z-GO Division of TEXTRON, Inc. reserves the right to make design changes without obligation to make these changes on units previously sold and the information contained in this manual is subject to change without notice.

E-Z-GO Division of TEXTRON, Inc. is not liable for errors in this manual or for incidental or consequential damages that result from the use of the material in this manual.

CUSTOMER SERVICE DEPARTMENT IN USA PHONE: 1-800-241-5855 FAX: 1-800-448-8124

OUTSIDE USA PHONE: 010-1-706-798-4311, FAX: 010-1-706-771-4609

E-Z-GO DIVISION OF TEXTRON, INC., 1451 MARVIN GRIFFIN ROAD, AUGUSTA, GEORGIA USA 30906 - 3852

GENERAL INFORMATION

To obtain a copy of the limited warranty applicable to the vehicle, call or write a local Distributor, authorized Branch or the Warranty Department with vehicle serial number and manufacturer code.

The use of non Original Equipment Manufacturer (OEM) parts may void the warranty.

Tampering with or adjusting the governor to permit vehicle to operate at above factory specifications will void the vehicle warranty.

When servicing engines, all adjustments and replacement components must be per original vehicle specifications in order to maintain the United States of America Federal and State emission certification applicable at the time of manufacture.

BATTERY PROLONGED STORAGE

All batteries will self discharge over time. The rate of self discharge varies depending on the ambient temperature and the age and condition of the batteries.

A fully charged battery will not freeze in winter temperatures unless the temperature falls below -75° F (-60° C).

TABLE OF CONTENTS

SECTION	Page No.
HOW TO USE THE SERVICE PARTS MANUAL	vii
ILLUSTRATED PARTS BREAKDOWN	ix
GENERAL VEHICLE	xi
ACCELERATOR AND LINKAGE	A-1
BODY, HOOD, HEADLIGHTS	B-1
DECALS, HAULSTER MODELS	C-1
ENGINE COVER	D-1
ELECTRICAL CONNECTORS	E-1
ELECTRICAL COMPONENTS AND SECONDARY WIRING HARNESSSES	F-1
FRAME, 1-TON	G-1
FRONT SUSPENSION WITH FRONT BRAKES (PASSENGER SIDE) TIE RODS AND SKID PLATE	H-1
FRONT SUSPENSION WITH FRONT BRAKES (DRIVER SIDE) TIE RODS AND SKIP PLATE	H-7
FRONT AND REAR TIRES AND WHEEL ASSEMBLY	J-1
WHEEL SIZE MEASUREMENT	J-3
FUEL SYSTEM	K-1
FRONT AND REAR BRAKES & HUBS	L-1
HYDRAULIC BRAKES WITH FRONT BRAKES	M-1
HYPOID DIFFERENTIAL 14.21:1	N-1
MAIN WIRE HARNESS	P-1
MAIN WIRE HARNESS	P-3
PARK BRAKE LEVER AND CABLE	Q-1
REAR SPRING, SHACKLES & U-BOLTS	R-1
STEERING WHEEL, STEERING SHAFT, CONNECTING HOSES POWER STEERING PUMP AND STEERING GEAR	S-1
TORQUE SPECIFICATIONS HEX HEAD CAP SCREWS	T-1

TABLE OF CONTENTS

SECTION	Page No.
ENGINE	xii
AIR CLEANER	A-1
ALTERNATOR	B-1
BELTS AND PULLEYS	C-1
BREATHER HOSE	D-1
CAM CHAIN	E-1
CAM SHAFT	F-1
COOLING SYSTEM	G-1
CRANKSHAFT, FLYWHEEL AND PISTONS	H-1
CYLINDER HEAD	J-1
CYLINDER	K-1
DELIVERY PIPE	L-1
EMISSION CONTROLS, FUEL INJECTORS & SUZUKI ENGINE WIRE HARNESS	M-1
ENGINE ELECTRICAL	N-1
ENGINE GASKETS	P-1
ENGINE AND TRANSMISSION MOUNTS	Q-1
EXHAUST MANIFOLD	R-1
EXHAUST SYSTEM	S-1
GOVERNOR	T-1
GOVERNOR AND THROTTLE LINKAGE	U-1
INTAKE MANIFOLD	W-1
OIL PAN	Y-1
OIL PUMP	Z-1
REMOTE OIL FILL	AA-1
WATER PUMP	AB-1
WATER HOSE	AC-1

TABLE OF CONTENTS

SECTION	Page No.
TRANSMISSION	xiii
AUTOMATIC TRANSMISSION	A-1
AUTOMATIC TRANSMISSION SHIFTER	B-1
BRAKE BAND & SHIFT SHAFT (AUTOMATIC TRANSMISSION)	C-1
DRIVESHAFT, TORQUE CONVERTER AND AUTOMATIC TRANSMISSION	D-1
STARTER	E-1
TRANSMISSION TUBES, OIL PUMP, SOLENOIDS AND SHIFT SWITCH (AUTOMATIC TRANSMISSION)	F-1
TRANSMISSION INPUT SHAFT & CLUTCH ASSEMBLY (AUTOMATIC TRANSMISSION)	G-1
TRANSMISSION PLANETARY GEARS AND OUTPUT SHAFT (AUTOMATIC TRANSMISSION)	H-1
TRANSMISSION VALVE (AUTOMATIC TRANSMISSION)	J-1
WIRING DIAGRAM HAULSTER (AUTOMATIC TRANSMISSION)	K-1
WIRING SCHEMATIC DIAGRAM HAULSTER (AUTOMATIC TRANSMISSION)	L-1

HOW TO USE THE SERVICE PARTS MANUAL

This manual is divided into several sections:

GENERAL INFORMATION

- TABLE OF CONTENTS
- HOW TO USE THE SERVICE PARTS MANUAL

ILLUSTRATED PARTS BREAKDOWN

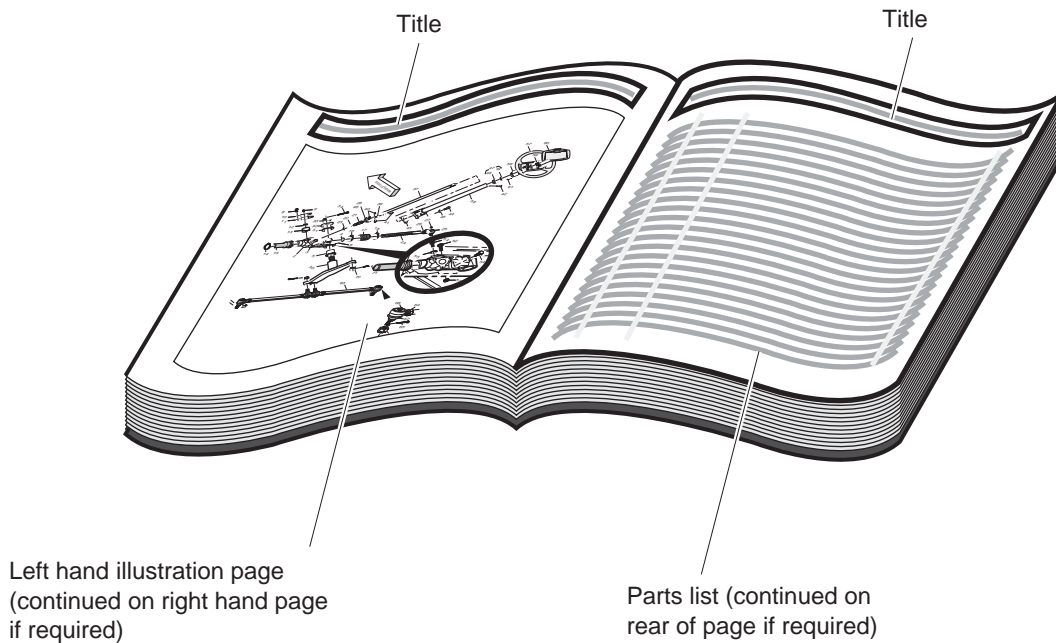
- Contains illustrations and parts lists for all systems of the vehicle.

USE OF THE MANUAL

To use this manual, consult the TABLE OF CONTENTS (page iii) to locate the information or illustration required.

Introduction of some revisions varies due to supply of components; therefore, it is possible that various combinations of components may be found that are not directly reflected by each illustration. Consult the illustration that best suits your situation. Locate the serial number plate (see BODY located in the Illustrated Parts Breakdown section of this manual for its location) and note the complete number shown on the plate. It is important that the serial number of your vehicle and its model number be supplied to Service Parts when ordering any replacement components.

HOW TO USE THE SERVICE PARTS MANUAL



1. WHEN THE PART NUMBER IS NOT KNOWN

- Determine the function and application of the part required. Turn to the INDEX OF MAJOR COMPONENTS and select the most appropriate component description.
- Turn to the page number indicated and locate the part description in the parts list. Read the full accompanying description for specific information regarding the part that was not shown in the index.
- From the parts list, obtain the item number assigned to it and confirm that the part selected is correct by verifying it with the pictorial representation on the illustrated page.

Should an asterisk (*) appear in the part number column on the parts list page, read upwards until a part number is found. The part number is the lowest assembly sold by Service Parts. The asterisk (*) indicates that the part depicted is not available for purchase.

NOTE: Descriptions are indented under the assembly that they are used on. That assembly is, in turn listed under the assembly that it is used on. This process is repeated until the highest final assembly is reached.

To facilitate the maintenance and repair of the vehicle, a Technician's Repair and Service Manual is available from the Service Parts Department.

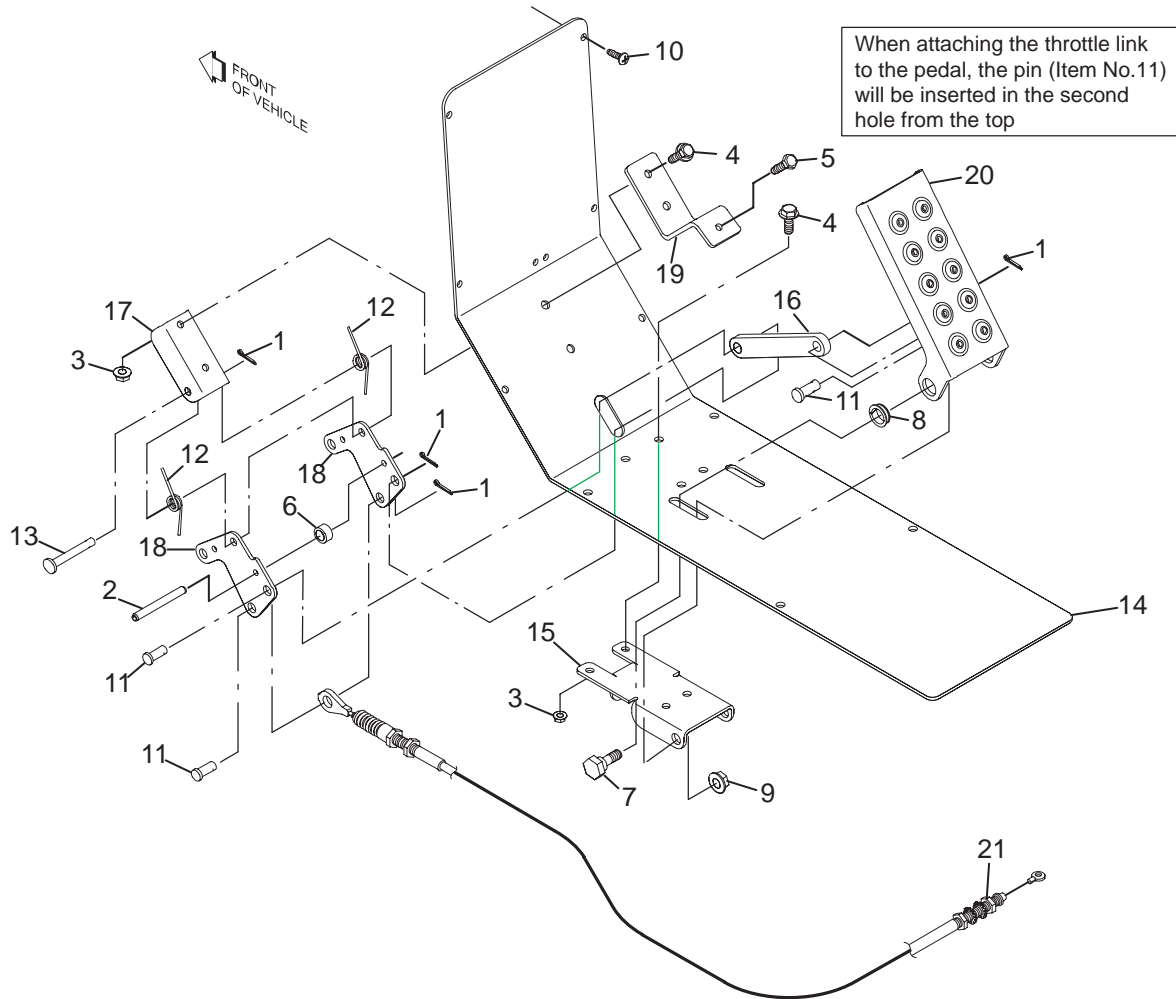
ILLUSTRATED PARTS BREAKDOWN

ILLUSTRATED PARTS BREAKDOWN

GENERAL VEHICLE

GENERAL VEHICLE

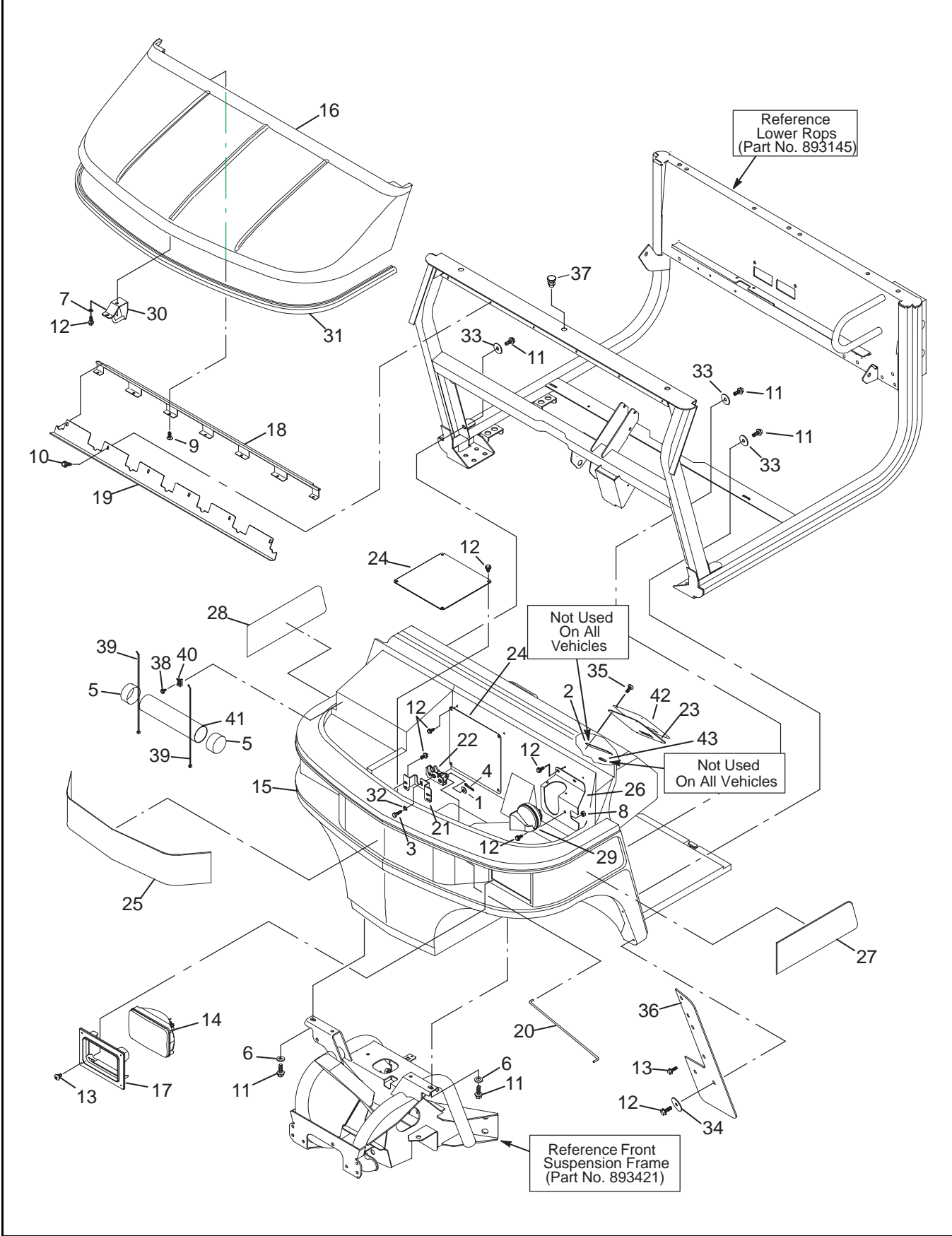
ACCELERATOR AND LINKAGE



ACCELERATOR AND LINKAGE

ITEM	PART NO.	1 2 3 4 5	DESCRIPTION	QTY.
1	306328		PIN, COTTER, 3/32" X 3/4"	4
2	844224		PIN, ROLL 3/16" X 1 3/4"	2
3	450452		NUT, M6-1.00 (G10.9)	6
4	452378		SCREW, M6-1.00 X 20MM	6
5	452695		SCREW, M6-1.00 X 20MM, TAPTITE	1
6	515268		BUSHING	2
7	524633		SCREW, SHOULDER 5/16-18 X 1MM	2
8	524643		BEARING, SPLIT	2
9	548911		NUT, 5/16-18	2
10	800943		SCREW, TAP, #10-14 X 5/8"	10
11	806714		PIN, CLEVIS, 5/16" X 3/4"	3
12	844223		SPRING, TORSION	2
13	830784		PIN, CLEVIS, 1/4" X 1 7/8"	1
14	841663		PANEL, FLOOR ACCESS	1
15	2703257.7		CHANNEL, MOUNT	1
16	843561		LINK, THROTTLE	1
17	843562		MOUNT, CHANNEL	1
18	843563		PLATE, PIVOT	2
19	843997		BRACKET, STOP	1
20	894159		PEDAL, THROTTLE	1
21	2703684		CABLE, THROTTLE	1

BODY, HOOD, HEADLIGHTS



BODY, HOOD, HEADLIGHTS

* NOT ILLUSTRATED.

** NOT USED ON ALL VEHICLES.

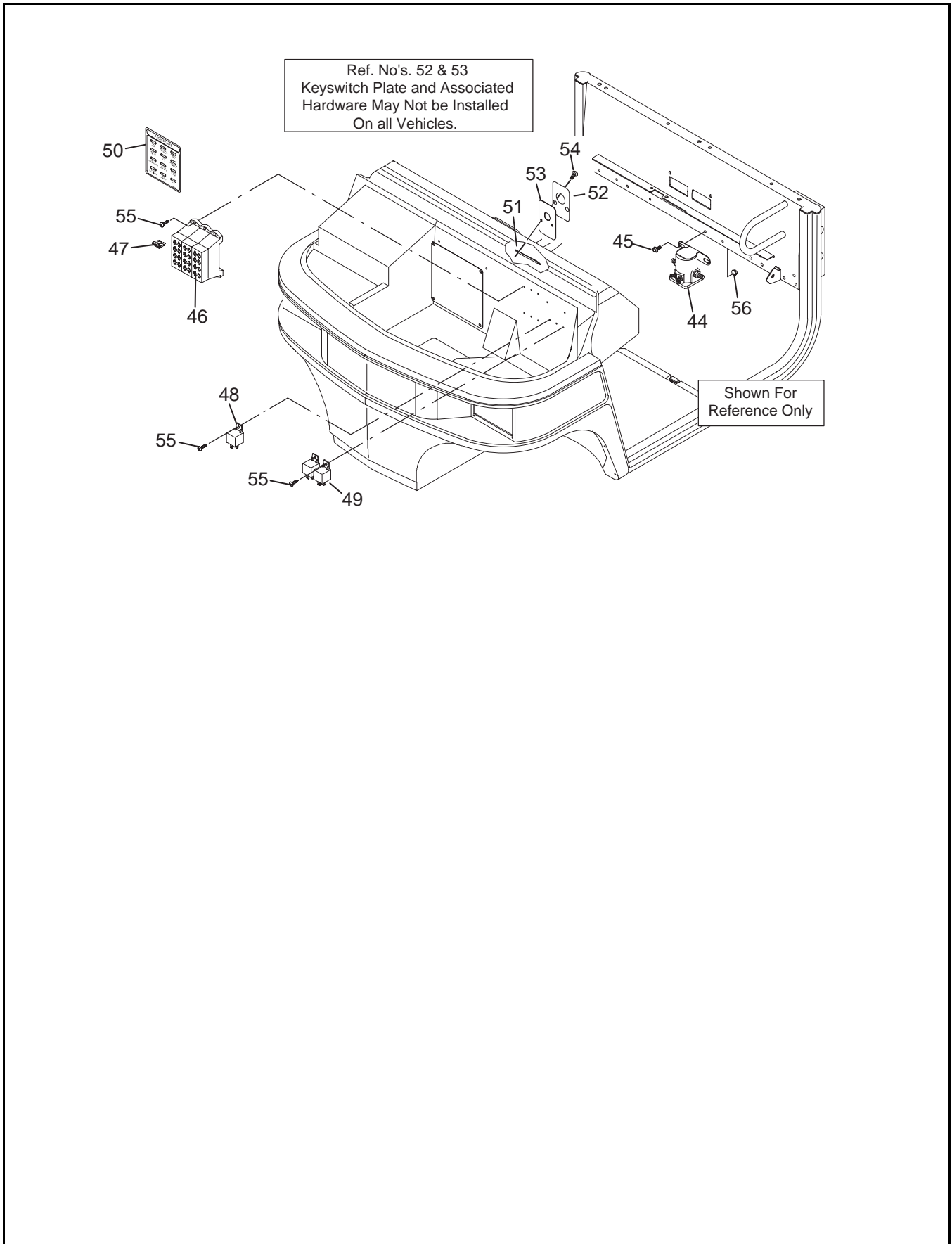
ITEM	PART NO.	1 2 3 4 5	DESCRIPTION	QTY.
1	303952		WASHER, #10.....	1
2	894743		**NUT AY., DOUBLE 1/4-20.....	2
3	306419		SCREW, 1/4-20 x 1/2".....	2
4	306463		PIN, COTTER.....	1
5	38061A		CAP, VINYL.....	2
6	450400		WASHER, M8.....	2
7	450410		LOCKWASHER, M6.....	2
8	450452		NUT, M6-1.00.....	1
9	450541		SCREW, M6-1.00 x 16MM (RPH).....	7
10	452695		SCREW, M6-1.00 x 20MM, TAPTITE.....	6
11	800930		SCREW, M8-1.25 x 16MM (8.8).....	6
12	800934		SCREW, M6-1.00 x 16MM (8.8).....	25
13	800943		SCREW, TAP, #10-14MM.....	10
14	837303		HEADLIGHT, RECTANGULAR.....	2
15	2700792		CLIP, FRONT (W/DECALS).....	1
*	821071		DECAL, NOTICE, NOT MOTOR VEHICLE.....	1
*	840901		DECAL WARNING READ OPS. MANUAL.....	1
16	841263		HOOD, HAULSTER (YELLOW).....	1
17	841428		BEZEL, HEADLAMP.....	2
18	841477		HINGE, HOOD.....	1
19	841637		ANGLE, FRONT CLIP MOUNT.....	1
20	841715		ROD, HOOD RELEASE.....	1
21	841753		BRACKET, HOOD LATCH.....	1
22	841787		LATCH, HOOD.....	1
23	841866		PANEL, DASH (LEFT).....	1
24	841913		PLATE, ACCESS.....	2
25	844430		DECAL, E-Z-GO / TEXTRON.....	1
26	844167		BRACKET, HORN / BRAKE RESERVOIR.....	1
27	844428		DECAL, HAULSTER (LEFT).....	1
28	844429		DECAL, HAULSTER (RIGHT).....	1
29	886090		HORN.....	1

BODY, HOOD, HEADLIGHTS

* NOT ILLUSTRATED.
 ** NOT USED ON ALL VEHICLES.

ITEM	PART NO.	1 2 3 4 5	DESCRIPTION	QTY.
30	894030		STRIKER, HOOD	1
31	844669		SEAL, WEATHER	AR
32	306488		LOCKWAHSER, 1/4" SHAKEPROOF	2
33	548159		WASHER, 5/16" (1 1/4" DIA.).....	4
34	548175		WASHER, 1/4" (1 1/4" DIA.).....	8
35	800582		SCREW, 1/4-20 x 3/4".....	4
36	844049		FLAP, MUD	2
37	844293		PLUG	3
38	800344		SCREW, TAPPING, #10 TYPE AB.....	2
39	823549		TIE, CABLE, 15.5" (394 MM)	2
40	840508		MOUNT, CABLE TIE	2
41	38541		TUBE, DOCUMENT	1
42	2700275		DECAL, LH DASH.....	1
43	2700496		**INSERT, DASH (1/4-20 X .19 - .38)	4

BODY, HOOD, HEADLIGHTS



BODY, HOOD, HEADLIGHTS

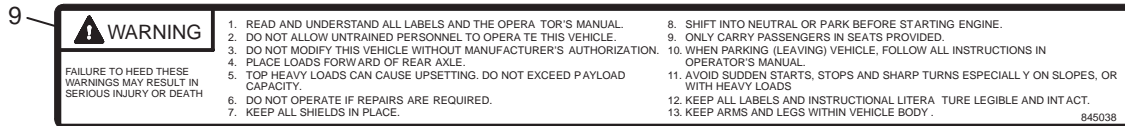
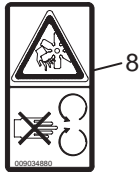
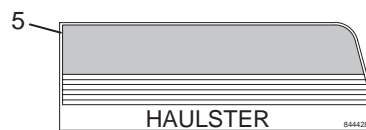
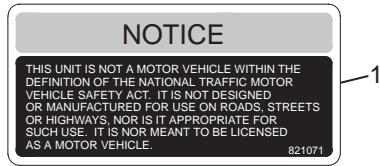
* NOT ILLUSTRATED.

** NOT USED ON ALL VEHICLES.

ITEM	PART NO.	1	2	3	4	5	DESCRIPTION	QTY.
44	2701465						SOLENOID, 12V	1
45	452378						SCREW, M6-1.00 x 20	2
46	825996						FUSE - HOLDER	3
47	826000						FUSE, 20 AMP	AR
(47)	4113261						FUSE, 25 AMP	AR
(47)	836892						FUSE, 10 AMP	AR
(47)	842983						FUSE, 15 AMP	AR
48	2700867						RELAY, 70 AMP	1
49	843167						RELAY, 12V 15A, DSPT.....	2
50	4117221						DECAL, FUSE PANEL (SUZUKI ONLY).....	1
51	2702012						**STRAP, KEYSWITCH MOUNT	1
52	2702014						**DECAL, KEYSWITCH PLATE	1
53	2701850.7						**PLATE, KEYSWITCH MOUNT.....	1
54	800582						**SCREW, 1/4-20 x 3/4"	2
55	800943						**SCREW, TAP #10 - 14	10
56	450452						NUT, M6-1.00	2
*	2701091						KIT, CLIP INSERTS (6MM & 8MM).....	1

BODY, HOOD, HEADLIGHTS

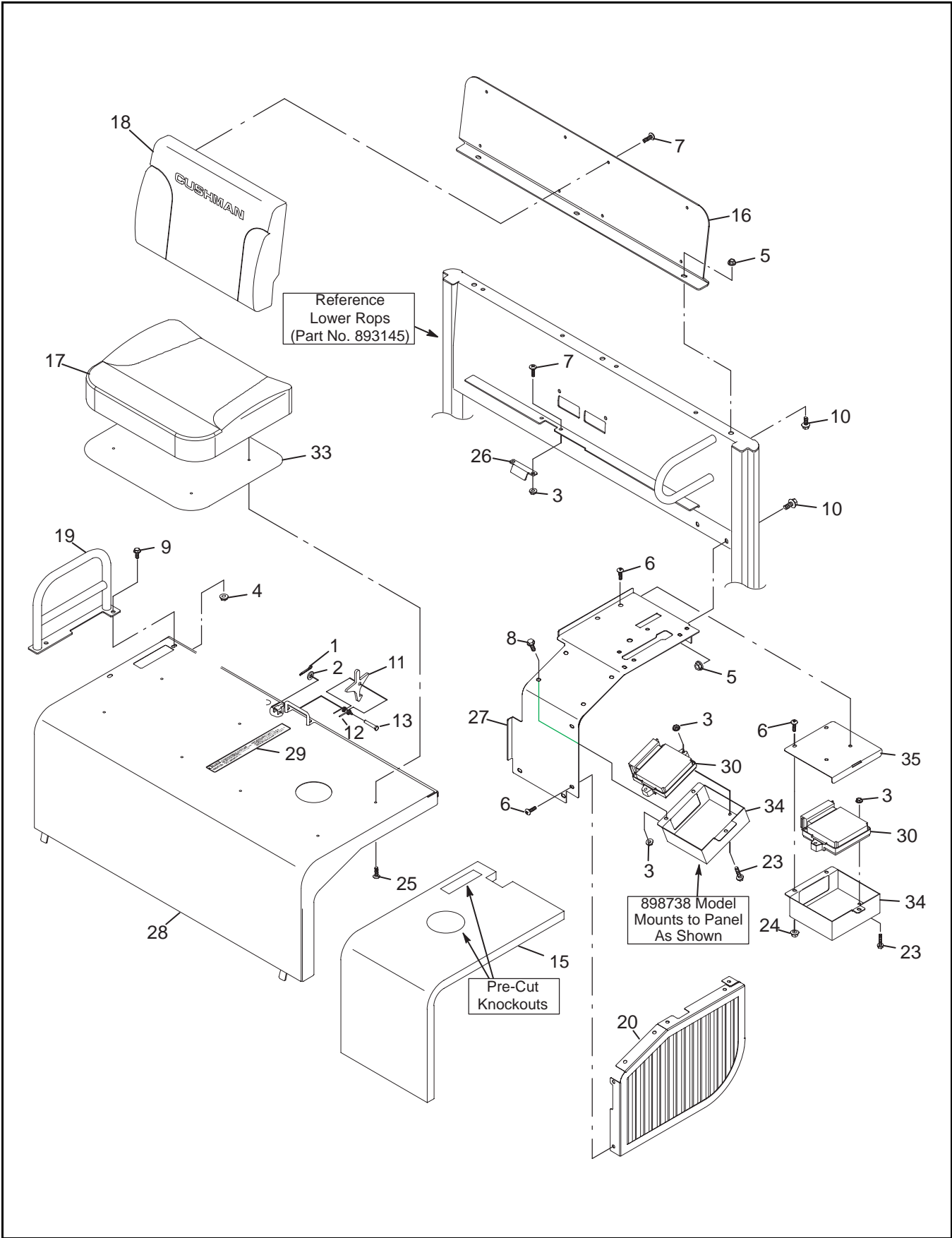
DECALS, HAULSTER MODELS



DECALS, HAULSTER MODELS

ITEM	PART NO.	1 2 3 4 5	DESCRIPTION	QTY.
1	821071		DECAL, NOTICE NOT MOTOR VEHICLE	1
2	822819		DECAL, WARNING, PARK BRAKE.....	1
3	840754		DECAL, WARNING, PRESSURE.....	1
4	840901		DECAL, WARNING, READ OPS. MAN.....	1
5	844428		DECAL, 4-WHEEL HAULSTER (LH)	1
6	844429		DECAL, 4 WHEEL HAULSTER (RH).....	1
7	844430		DECAL, CUSHMAN-TEXTRON.....	1
8	009034880		DECAL, WARNING, FAN	1
9	845038		DECAL, VEHICLE OPERATION.....	1
10	838427		DECAL, CUSHMAN	2
11	844847		DECAL, TEXTRON	1
12	2701389		DECAL, DIAMOND "C"	1

ENGINE COVER



ENGINE COVER

* NOT ILLUSTRATED

ITEM	PART NO.	1 2 3 4 5	DESCRIPTION	QTY.
1	306328		PIN, COTTER, .09 X .75	1
2	308090		WASHER, 1/4"	1
3	450452		NUT, M6-1.00 (G10.9)	4
4	450453		NUT, M8-1.25 (10.9)	2
5	450454		NUT, M10-1.50 (10.9)	5
6	800026		SCREW, 1/4-20 X 3/4"	11
7	450541		SCREW, M6-1.00 X 16.....	10
8	452378		SCREW, M6-1.00 X 20.....	3
9	452388		SCREW, M8-1.25 X 20 (G8.8)	2
10	452398		SCREW, M10-1.50 X 20.....	5
11	523085		BRACKET	1
12	816401		SPRING, TORSION.....	1
13	830784		PIN, CLEVIS, .25 X 1.88	1
14				
15	841804		INSULATION, ENGINE COVER.....	3
16	842030		MOUNT, BACKREST	1
17	893321		SEAT, BASE ASSEMBLY	2
18	893322		BACKREST ASSEMBLY	2
19	893541		HANDHOLD (RIGHT SIDE)	1
20	894232		COVER, LEFT	1
21				
22				
23	450544		SCREW, M6-1.00 X 30.....	2
24	548910		NUT, FLANGE, 1/4-20	2
25	450543		SCREW, M6-1.00 X 25.....	8
26	2702199		CATCH, ENGINE COVER LATCH	1
27	2701221		PANEL, CONSOLE (HAULSTER).....	1
*	822819		DECAL, WARNING, PARK BRAKE	1
28	2701224		COVER, ENGINE, W/DECAL	1
29	845038		DECAL, OPERATION	1

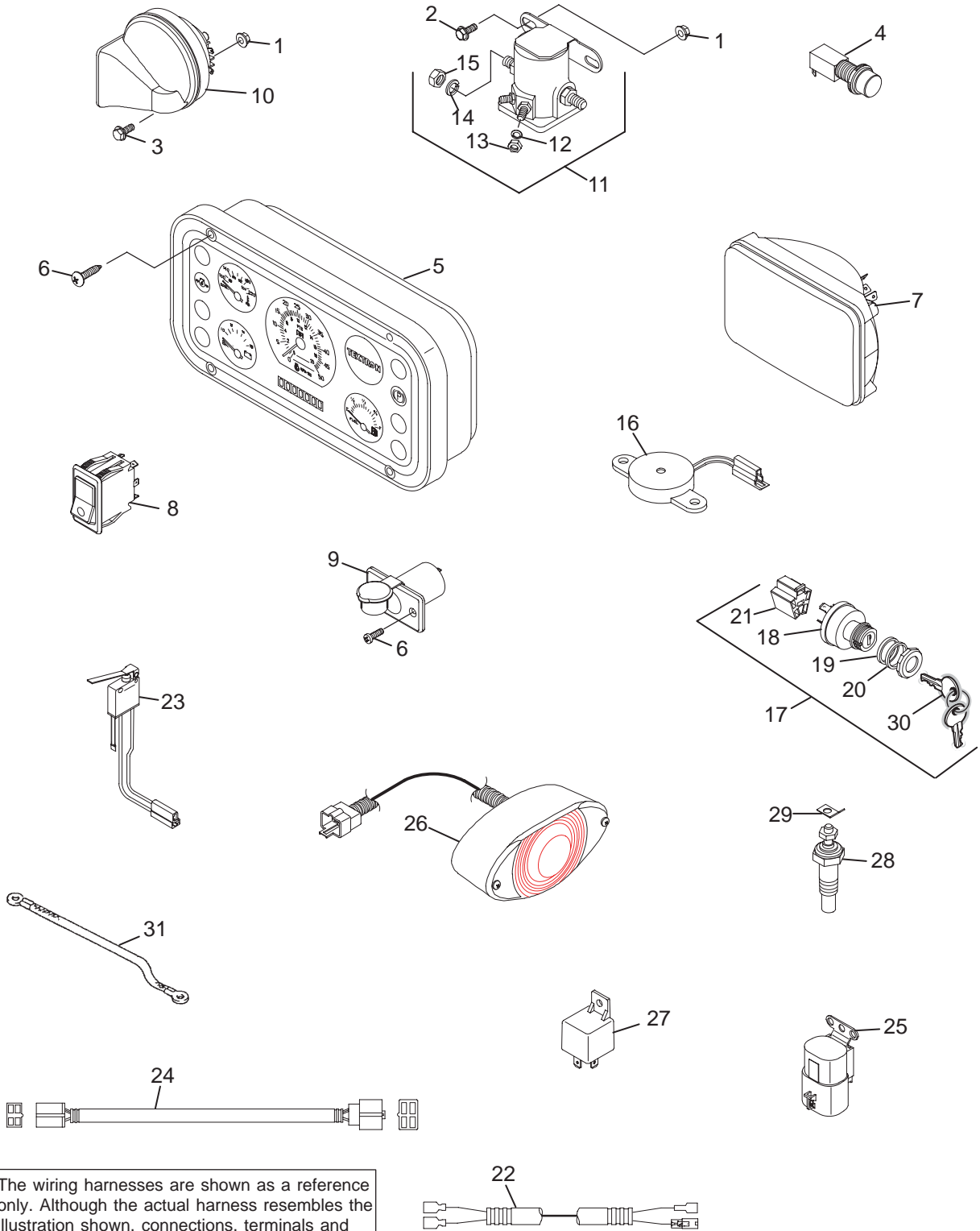
ENGINE COVER

* NOT ILLUSTRATED

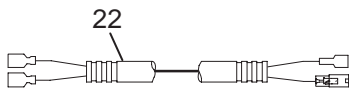
ITEM	PART NO.	1 2 3 4 5	DESCRIPTION	QTY.
30	2702975		ENGINE CONTROL UNIT (ECU) AT	1
	2702917		ENGINE CONTROL UNIT (ECU) MT	1
31	2704063		DECAL, SERVICE ENGINE SOON	1
32	2704064		DECAL, LIGHT INDICATES	1
33	2702725		SEAL, SEAT BASE	2
34	2701105.7		COVER, ECU (ENGINE CONTROL UNIT)	1
35	2701817.7		BRACKET, ECU	1

ENGINE COVER

ELECTRICAL COMPONENTS AND SECONDARY WIRING HARNESSSES



The wiring harnesses are shown as a reference only. Although the actual harness resembles the illustration shown, connections, terminals and routing can change without notice.



ELECTRICAL COMPONENTS AND SECONDARY WIRING HARNESSSES

THE CONVOLUTED TUBING USED ON THE WIRING HARNESSSES CAN BE ORDERED IN BULK LENGTH ONLY. CUT OFF THE REQUIRED AMOUNT FOR YOUR PARTICULAR APPLICATION. ORDER THE TUBING AS FOLLOWS:

PART NO. 826190 .350 I.D. SOLD IN 50' (15.2 M) LENGTHS

PART NO. 826191 .500 I.D. SOLD IN 25' (7.6 M) LENGTHS.

ITEM	PART NO.	1	2	3	4	5	DESCRIPTION	QTY.
1	450452						NUT, M6-1.00 (G10.9).....	3
2	452378						SCREW, M6-1.00 X 20MM	2
3	800934						SCREW, M6-1.00 X 16MM (G10.9)	1
4	830366						SWITCH, PUSH (HORN BUTTON)	1
5	4116941						PANEL, INSTRUMENT W/TACH	1
6	800943						SCREW, #10-14 X 5/8"	6
7	837303						HEADLIGHT, RECTANGULAR	2
8	843581						SWITCH, HEADLIGHT	1
9	843942						SOCKET, 12V ACC. PLUG	1
10	886090						HORN.....	1
11	2701465						SOLENOID.....	1
12	120052						LOCKWASHER, #10	2
13	132520						NUT, #10-32.....	2
14	306325						LOCKWASHER, 5/16	2
15	306932						NUT, 5/16-18.....	2
16	890000						BUZZER ASSEMBLY	1
17	890154						SWITCH, IGNITION, COMPLETE	1
18	837295						SWITCH, IGNITION.....	1
*	837296						CONNECTOR.....	1
19	837299						SPACER	1
20	837300						SPACER	1
21	890158						CONNECTOR AND WIRE.....	1
22	894201						HARNESS, WIRE, FUEL TANK.....	1
23	894308						SWITCH (NORMALLY OPEN)	1
24	894313						HARNESS, WIRE, TAILLIGHT	1
25	835480						RELAY, 30 AMP (12V).....	1
26	893602						TAILLIGHT	1
27	843167						RELAY, 12V, 15 AMP DPST1.....	1
28	843857						SENSOR, WATER TEMPERATURE.....	1

ELECTRICAL COMPONENTS AND SECONDARY WIRING HARNESSSES

THE CONVOLUTED TUBING USED ON THE WIRING HARNESSSES CAN BE ORDERED IN BULK LENGTH ONLY. CUT OFF THE REQUIRED AMOUNT FOR YOUR PARTICULAR APPLICATION. ORDER THE TUBING AS FOLLOWS:

PART NO. 826190 .350 I.D. SOLD IN 50' (15.2 M) LENGTHS

PART NO. 826191 .500 I.D. SOLD IN 25' (7.6 M) LENGTHS.

ITEM	PART NO.	1	2	3	4	5	DESCRIPTION	QTY.
29	829787						TERMINAL, 45° 1/4" MALE	2
30	841130						KEY BLANK	2
31	2702952						WIRE, NOISE SUPPRESSOR.....	1

ELECTRICAL COMPONENTS AND SECONDARY WIRING HARNESSES

FRAME, 1-TON

* NOT ILLUSTRATED

** NOT USED ON ALL VEHICLES.

ITEM	PART NO.	1 2 3 4 5	DESCRIPTION	QTY.
1	450391		WASHER, M10.....	4
2	450452		NUT, M6-1.00 (G10.9).....	14
3	450453		NUT, M8-1.25 (10.9).....	1
4	450454		NUT, M10-1.50 (10.9).....	19
5	450455		NUT, M12-1.75 (10.9).....	18
6	452388		SCREW, M8-1.25 X 20MM (G8.8)	1
7	452398		SCREW, M10-1.50 X 20MM (8.8)	14
8	452402		SCREW, M10-1.50 X 50MM (8.8)	4
9	452406		SCREW, M10-1.50 X 90MM (8.8)	4
10	452410		SCREW, M12-1.75 X 30MM (8.8)	12
11	452399		SCREW, M10-1.50 X 25MM	5
12	548175		WASHER, 1/4" X 1.25 DIA.	10
13	800934		SCREW, M6-1.00 X 16MM (8.8)	14
14	842870		ANGLE, SUPPORT	2
15	844049		FLAP, MUD	2
16	844156		PLATE, FLAP MOUNT	2
17	2701221		PANEL, CONSOLE (HAULSTER)	1
*	822819		DECAL, PARK BRAKE WARNING	1
18	893145		ROPS, LOWER.....	1
19	893235		FRAME, MAIN.....	1
20	983525		SUPPORT, PLATFORM.....	2
21	893404		PLATFORM, 1-TON	1
(21)	893404G		PLATFORM, GALVANIZED.....	1
22	894890		SUPPORT, BATTERY	1
23	309067		LOCKWASHER, 1/2" SHAKEPROOF	2
24	809156		WASHER, 5/8.....	2
25	452414		SCREW, M12-1.75 X 70MM (8.8)	2
26	800315		NUT, WING, 5/16-18.....	2
27	806954		BOLT, BATTERY HOOK.....	2
28	809152		WASHER, 5/16" X 1 1/8" DIA.....	2
29	815847		HOLD-DOWN, BATTERY	1

FRAME, 1-TON

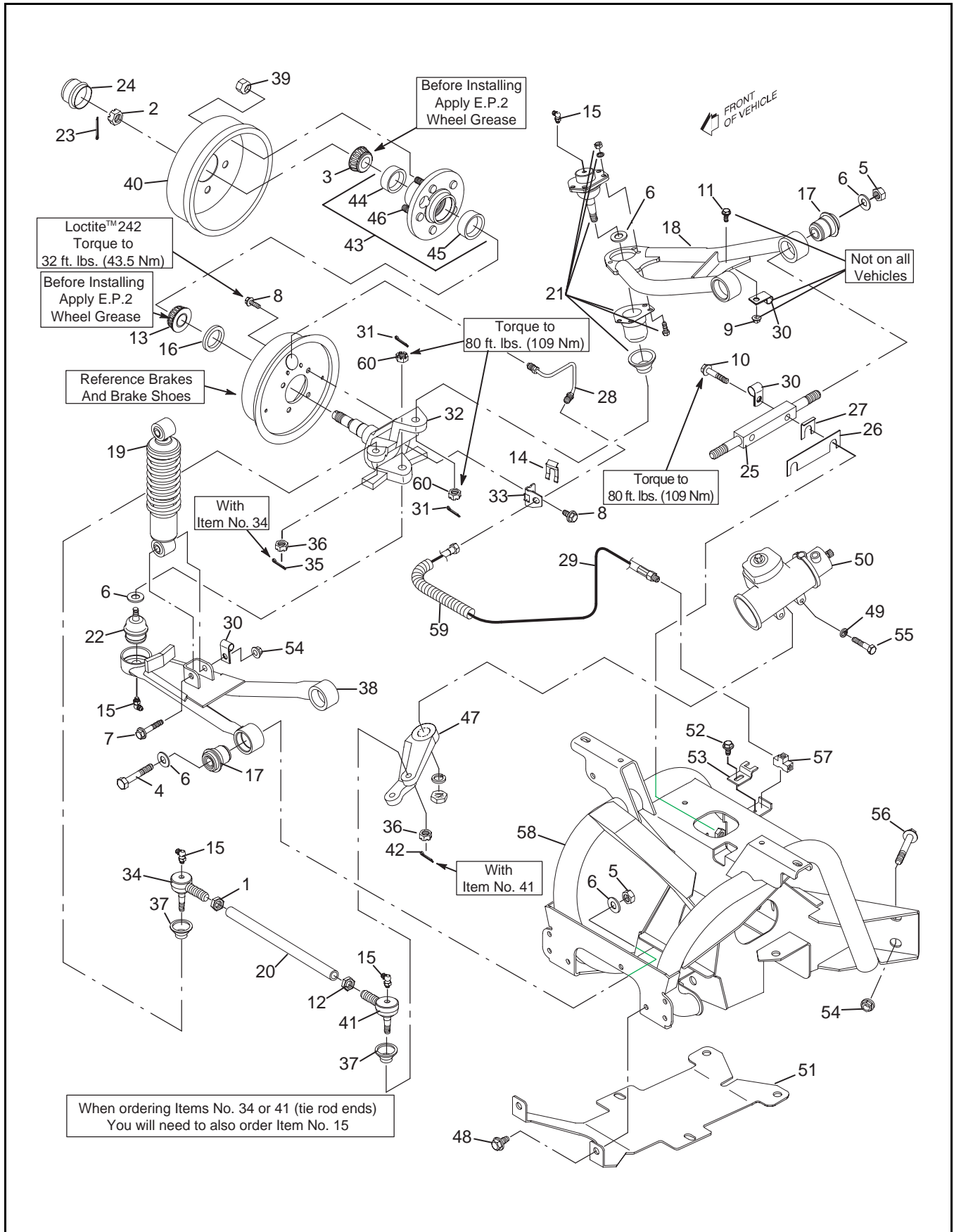
* NOT ILLUSTRATED.

** NOT USED ON ALL VEHICLES.

ITEM	PART NO.	1 2 3 4 5	DESCRIPTION	QTY.
30	818303		SPACER, RUBBER.....	2
31	452415		SCREW, M12-1.75 X 80MM (8.8).....	8
32	844647		ANGLE, HOLD-DOWN	1
33	894922		PANEL, FUEL TANK	1
(33)	894922G		PANEL, FUEL TANK GALVANIZED	1
34	800930		SCREW, M8-1.25 X 16MM (8.8).....	1
35	810437		CLAMP, TUBE/WIRE	1
36				
37	828382		SEALER, SPONGE RUBBER.....	AR

FRAME, 1-TON

FRONT SUSPENSION WITH FRONT BRAKES (PASSENGER SIDE) TIE RODS AND SKID PLATE



FRONT SUSPENSION WITH FRONT BRAKES (PASSENGER SIDE) TIE RODS AND SKID PLATE

* NOT ILLUSTRATED. ALTHOUGH THIS LUBRICATION FITTING IS THE STANDARD FITTING USED WITH THIS TIE ROD, IT IS NOT USED IN THIS APPLICATION. USE ITEM NO. 15, PART NO. 831405.

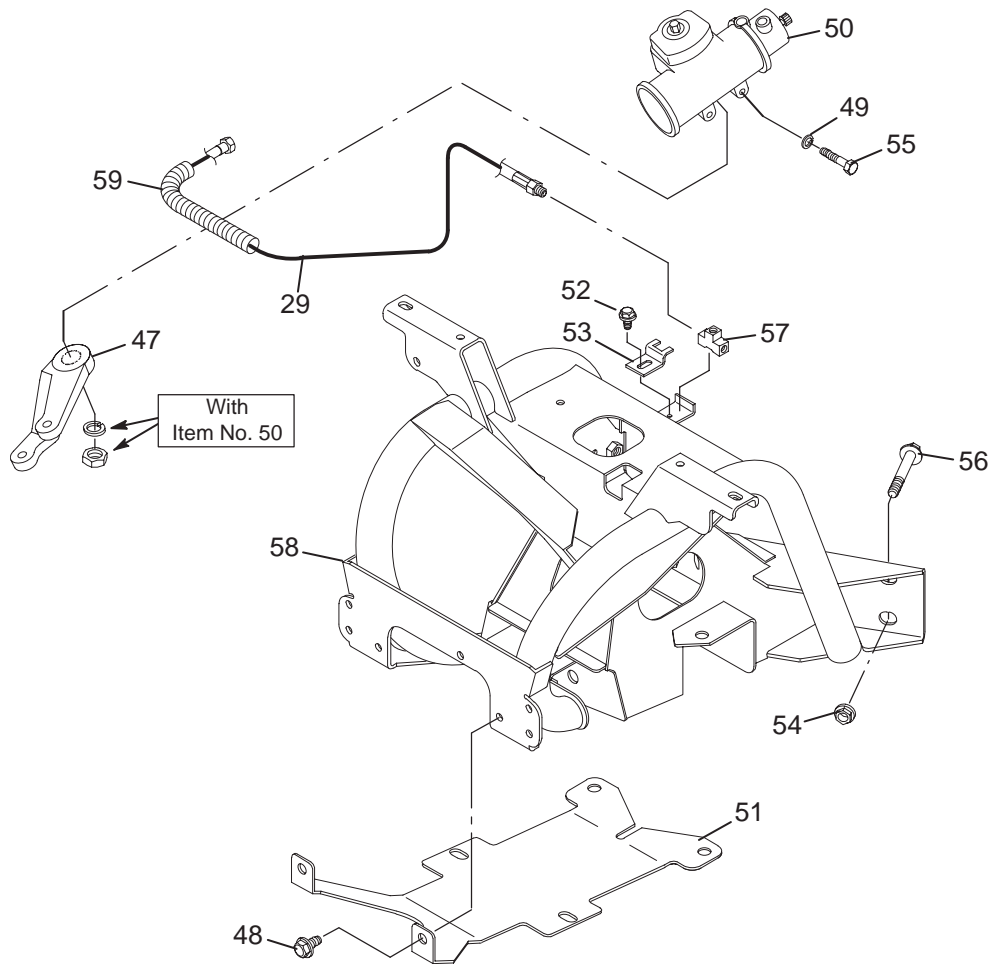
ITEM	PART NO.	1	2	3	4	5	DESCRIPTION	QTY.
1	302944						NUT, JAM, 9/16-18.....	1
2	2702247						NUT, CASTLE 3/4-16.....	1
3	385174						BEARING, CONE (OUTER).....	1
4	450077						BOLT, M16-2.00 X 90.....	2
5	450382						NUT, LOCKING INSERT M16-2.00.....	4
6	450393						WASHER, M16.....	6
7	452413						SCREW, M12-1.75 X 60MM.....	4
8	452398						SCREW, M10-1.5 X 20MM (8.8).....	10
9	450452						NUT, M6-1.00, FLANGE (G10.9).....	1
10	800945						BOLT, M12-1.75 X 60 (G10.9).....	2
11	452378						SCREW, M6-1.00 X 20MM.....	1
12	800485						NUT, 9/16-18, LEFT-HAND.....	1
13	815403						BEARING, CONE (INNER).....	1
14	809137						CLIP.....	1
15	831405						FITTING, GREASE 1/4-28 (90°).....	4
16	817928						SEAL, GREASE.....	1
17	841167						BUSHING, SILENTBLOC.....	4
18	893266						ARM ASSEMBLY, UPPER CONTROL.....	1
19	894635						STRUT AY. (SHOCK & SPRING).....	2
20	841404						ROD, TIE.....	1
21	844148						BALL JOINT, UPPER.....	1
22	841429						BALL JOINT, LOWER.....	1
23	304636						PIN, COTTER 1/8" X 1 1/8".....	1
24	817250						CAP, GREASE.....	1
25	841630						TRUNNION, CONTROL ARM.....	1
26	841737						SHIM, .060".....	4
27	841738						SHIM, .024".....	2
28	841839						TUBE, BRAKE (RIGHT).....	1
29	841841						HOSE, BRAKE.....	1
30	810437						CLAMP.....	2
31	306328						PIN, COTTER, 3/32" X 3/4".....	2

FRONT SUSPENSION WITH FRONT BRAKES (PASSENGER SIDE) TIE RODS AND SKID PLATE

* NOT ILLUSTRATED. ALTHOUGH THIS LUBRICATION FITTING IS THE STANDARD FITTING USED WITH THIS TIE ROD, IT IS NOT USED IN THIS APPLICATION. USE ITEM NO. 15, PART NO. 831405.

ITEM	PART NO.	1	2	3	4	5	DESCRIPTION	QTY.
32	894574						KNUCKLE, STEERING (RIGHT)	1
33	842104						BRACKET, BRAKE TUBE	1
34	887512						END, TIE ROD (RH THREAD) (ALSO ORDER ITEM NO.15).....	1
35	306328						PIN, COTTER, 3/32" X 3/4"	1
*	548224						FITTING, LUBRICATION	1
36	306825						NUT, CASTLE, 7/16-20	1
37	816586						RETAINER, GREASE	1
38	893234						ARM ASSEMBLY, LOWER CONTROL	1
39	800909						NUT, WHEEL RETAINING, M12-1.50	5
40	841430						DRUM, BRAKE	1
41	887750						END, TIE ROD (LH THREAD) (ALSO ORDER ITEM NO.15)	1
42	306328						PIN, COTTER, 3/32" X 3/4"	1
*	548224						FITTING, LUBRICATION	1
43	2702257.7						HUB ASSEMBLY	1
44	808088						CUP, BEARING (OUTER)	1
45	814474						CUP, BEARING (INNER)	1
46	800908						SCREW, LUG M12-1.50 X 42MM.....	5

FRONT SUSPENSION WITH FRONT BRAKES (PASSENGER SIDE) TIE RODS AND SKID PLATE



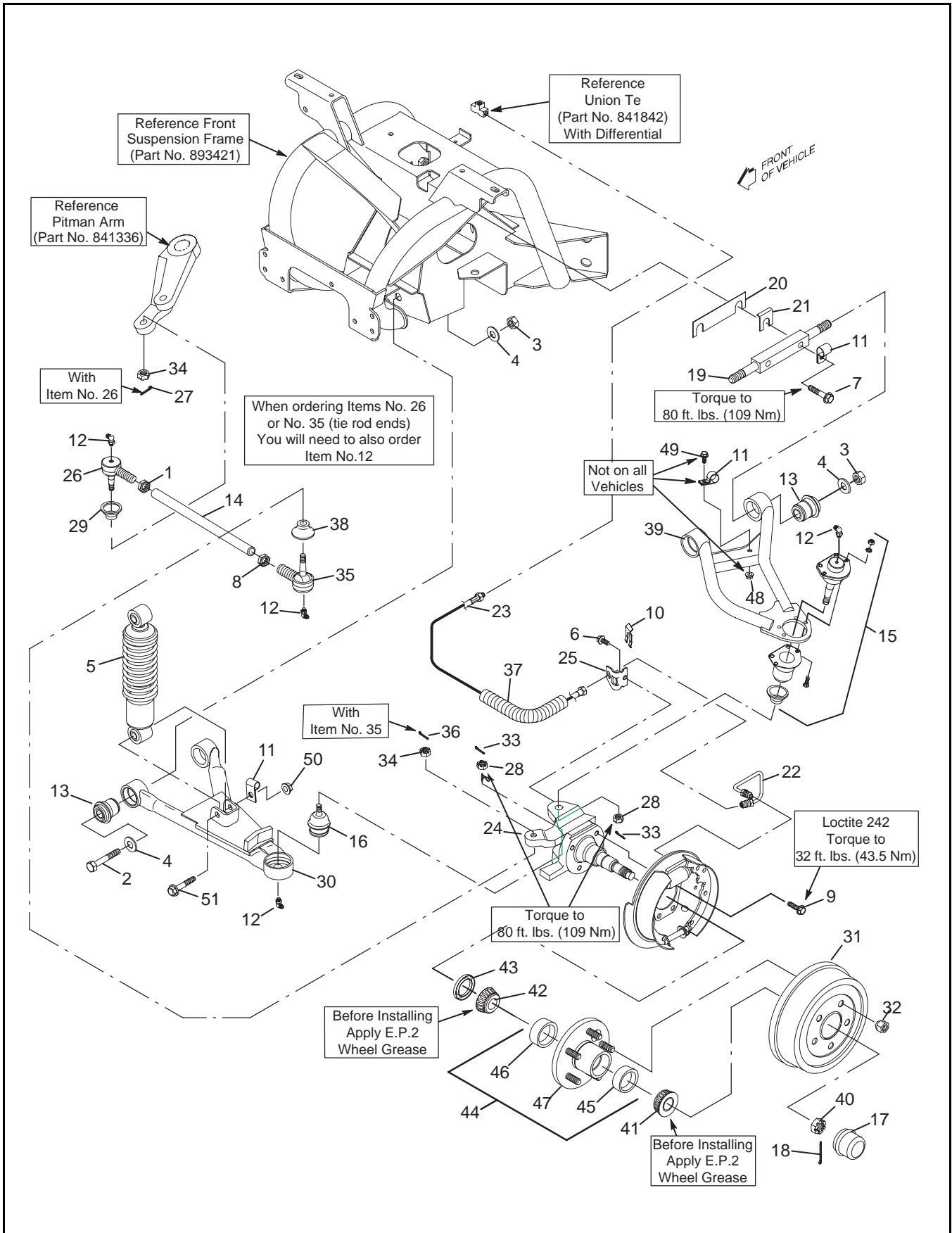
FRONT SUSPENSION WITH FRONT BRAKES (PASSENGER SIDE) TIE RODS AND SKID PLATE

* NOT ILLUSTRATED. ALTHOUGH THIS LUBRICATION FITTING IS THE STANDARD FITTING USED WITH THIS TIE ROD, IT IS NOT USED IN THIS APPLICATION. USE ITEM NO. 15, PART NO. 831405.

ITEM	PART NO.	1	2	3	4	5	DESCRIPTION	QTY.
47	841336						ARM, PITMAN.....	1
48	452408						SCREW, M10-1.75 X 20 (G10.9)	6
49	303269						LOCKWASHER, 7/16"	3
50	841255						GEAR, POWER STEERING	1
51	842033						PLATE, SKID.....	1
52	452692						SCREW, M6-1.00 X 12	1
53	843418						CLAMP, TEE	1
54	450455						NUT, M12-1.75 (G10.9).....	12
55	311392						SCREW, 7/16-14 X 2	3
56	452415						SCREW, M12-1.75 X 80 (8.8)	8
57	841842						TEE, UNION, M10-1.00 FLARE	1
58	893421						FRAME ASSEMBLY, FRONT.....	1
59	2703081						PROTECTOR, SPRING HOSE.....	1
60	306941						NUT, CASTLE 1/2-20	2

FRONT SUSPENSION WITH FRONT BRAKES (PASSENGER SIDE) TIE RODS AND SKID PLATE

FRONT SUSPENSION WITH FRONT BRAKES (DRIVER SIDE) TIE RODS AND SKIP PLATE



FRONT SUSPENSION WITH FRONT BRAKES (DRIVER SIDE) TIE RODS AND SKIP PLATE

* NOT ILLUSTRATED. ALTHOUGH THIS LUBRICATION FITTING IS THE STANDARD FITTING USED WITH THIS TIE ROD, IT IS NOT USED IN THIS APPLICATION. USE ITEM. NO. 12, PART NO. 831405.

ITEM	PART NO.	1 2 3 4 5	DESCRIPTION	QTY.
1	302944		NUT, JAM, 9/16-18.....	1
2	450077		BOLT, M16-2.00 X 90.....	2
3	450382		NUT, M16-2.00, LOCKING INSERT.....	4
4	450393		WASHER, M16.....	6
5	894635		STRUT AY, (SHOCK & SPRING).....	1
6	452398		SCREW, M10-1.5 X 20MM (8.8).....	1
7	800945		BOLT, M12-1.75 X 60MM (G10.9).....	2
8	800485		NUT, 9/16-18, LEFT-HAND.....	1
9	800919		BOLT, M10-1.5 X 30 (G10.9).....	4
10	809137		CLIP.....	1
11	810437		CLAMP.....	2
12	831405		FITTING, GREASE, 1/4-28 (90°).....	4
13	841167		BUSHING, SILENTBLOC.....	4
14	841404		ROD, TIE.....	1
15	844148		BALL JOINT, UPPER.....	1
16	841429		BALL JOINT, LOWER.....	1
17	817250		CAP, GREASE.....	1
18	304636		PIN, COTTER 1/8" X 1 1/8".....	1
19	841630		TRUNNION, CONTROL ARM.....	1
20	841737		SHIM, .060".....	4
21	841738		SHIM, .024".....	2
22	2702217		TUBE, BRAKE (LEFT).....	1
23	841841		HOSE, BRAKE.....	1
24	894573		KNUCKLE, STEERING (LEFT).....	1
25	842104		BRACKET, BRAKE TUBE.....	1
26	887512		END, TIE ROD (RH THREAD) (ALSO ORDER ITEM NO.12).....	1
27	306328		PIN, COTTER, 3/32" X 3/4".....	1
*	548224		FITTING, LUBRICATION.....	1
28	306941		NUT, CASTLE 1/2-20.....	2
29	816586		RETAINER, GREASE.....	1
30	893233		ARM ASSEMBLY, LOWER CONTROL.....	1

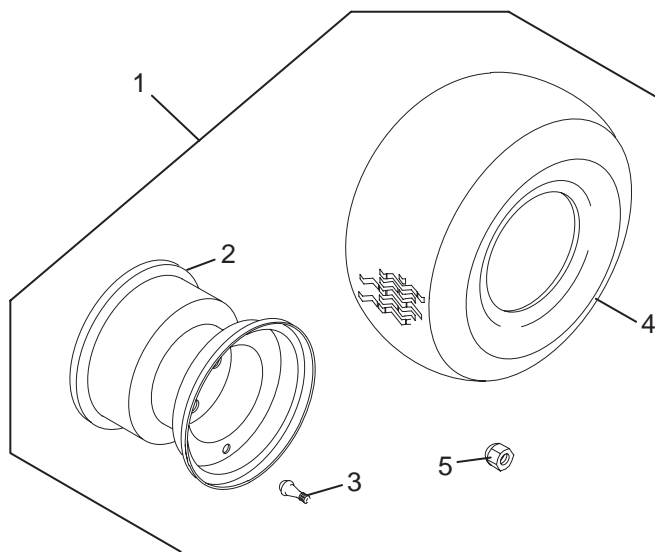
FRONT SUSPENSION WITH FRONT BRAKES (DRIVER SIDE) TIE RODS AND SKIP PLATE

* NOT ILLUSTRATED. ALTHOUGH THIS LUBRICATION FITTING IS THE STANDARD FITTING USED WITH THIS TIE ROD, IT IS NOT USED IN THIS APPLICATION. USE ITEM. NO. 12, PART NO. 831405.

ITEM	PART NO.	1	2	3	4	5	DESCRIPTION	QTY.
31	841430						DRUM, BRAKE	1
32	800909						NUT, WHEEL RETAINING, M12-1.50	5
33	306328						PIN, COTTER, 3/32" X 3/4"	2
34	306825						NUT, CASTLE, 7/16-20	2
35	887750						END, TIE ROD (LH THREAD) (ALSO ORDER ITEM NO. 12)	1
36	306328						PIN, COTTER, 3/32" X 3/4"	1
*	548224						FITTING, LUBRICATION	1
37	2703081						PROTECTOR, SPRING HOSE	1
38	816586						RETAINER, GREASE	1
39	893266						ARM ASSEMBLY, UPPER CONTROL	1
40	2702247						NUT, CASTLE 3/4-16	1
41	385174						BEARING, CONE (OUTER)	1
42	815403						BEARING, CONE (INNER)	1
43	817928						SEAL, GREASE	1
44	2702257.7						HUB ASSEMBLY	1
45	808088						CUP, BEARING (OUTER)	1
46	814474						CUP, BEARING (INNER)	1
47	800908						SCREW, LUG 12-1.50 X 42MM	5
48	450452						NUT, M6-1.00 (G10.9)	1
49	452378						SCREW, M6-1.00 X 20MM (G10.9)	1
50	450455						NUT, M12-1.75 (G10.9)	4
51	452413						SCREW, M12-1.75 X 60MM	4

FRONT SUSPENSION WITH FRONT BRAKES (DRIVER SIDE) TIE RODS AND SKIP PLATE

FRONT AND REAR TIRES AND WHEEL ASSEMBLY



TIRE
20.5 x 8.0 - 10 sport trax,
sawtooth tread, Load Range C
(Obtain Locally)

The Wheel (Rim) is
5 Bolt on a
100mm Bolt Circle

FRONT AND REAR TIRES AND WHEEL ASSEMBLY

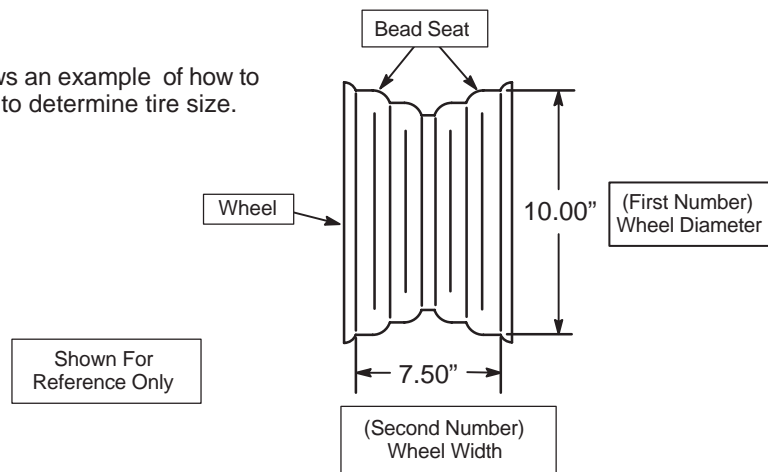
* OBTAIN LOCALLY.

ITEM	PART NO.	1	2	3	4	5	DESCRIPTION	QTY.
1	894785						TIRE AND WHEEL.....	4
2	841433						WHEEL, 10.00 X 7.50, FIVE BOLT	1
3	886735						STEM, VALVE.....	1
4	*						TIRE, 20.5 X 8.0 -10, LOAD RANGE C SPORT TRAX, SAWTOOTH TREAD.....	1
5	800909						NUT, WHEEL MOUNT	20

WHEEL SIZE MEASUREMENT

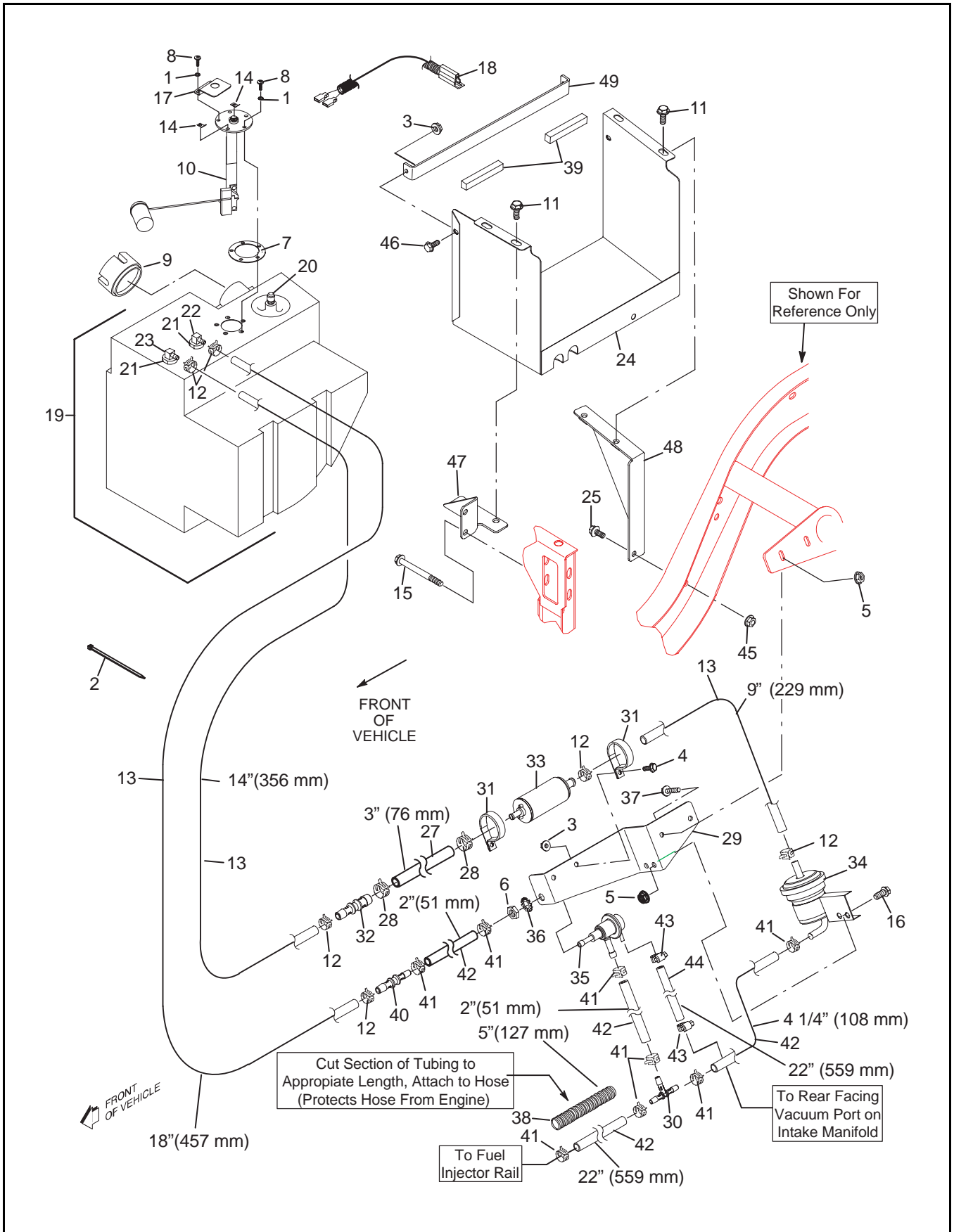
Wheel size is determined by measuring the wheel at the bead seat. The **first number** is the **wheel diameter** measured at the bead seat. The **second number** is the **wheel width** measured at the bead seat.

The illustration shows an example of how to measure the wheel to determine tire size.



WHEEL SIZE MEASUREMENT

FUEL SYSTEM



FUEL SYSTEM

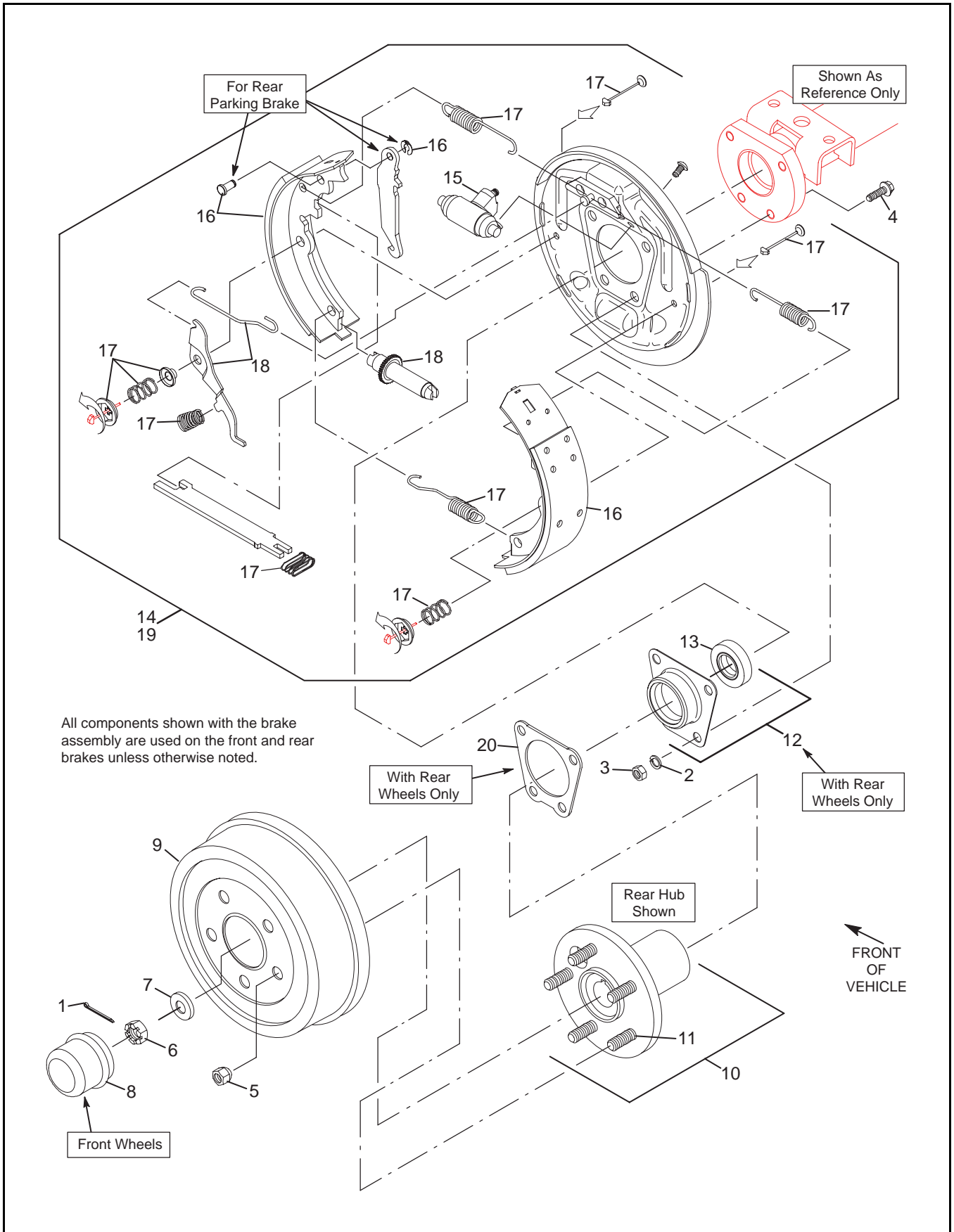
ITEM	PART NO.	1 2 3 4 5	DESCRIPTION	QTY.
1	120052		LOCKWASHER, #10.....	5
2	320107		TIE, CABLE, 7 1/2" (190.5 MM)	2
3	450452		NUT, M6-1.00 (G10.9).....	6
4	452378		SCREW, M6-1.00 X 20MM	4
5	450453		NUT, M8-1.25 (10.9).....	8
6	800875		NUT, M12-1.25 (G8.8).....	1
7	829954		GASKET.....	1
8	800021		SCREW, #10-32 X 1/2"	5
9	843343		CAP FUEL (UNVENTED)	1
10	843298		SENDER, FUEL	1
11	452398		SCREW, M10-1.50 X 20MM (8.8).....	4
12	4113022		CLAMP, HOSE	6
13	826590		HOSE, FUEL, 5/16" I.D. (25').....	AR
14	829787		TERMINAL, 45° 1/4 MALE	2
15	452406		SCREW, M10-1.50 X 90MM (8.8).....	2
16	800930		SCREW, M8-1.25 X 16MM (8.8).....	6
17	833953		COVER, FUEL SENDER	1
18	894201		HARNESS, FUEL TANK	1
19	841969		TANK, FUEL.....	1
20	836852		BREATHER	1
21	84310		GROMMET	2
22	843727		ELBOW, 90°	1
23	843726		TUBE, FUEL PICK-UP	1
24	843078		SUPPORT, FUEL TANK.....	1
25	452399		SCREW, M10-1.50 X 25MM (8.8).....	1
26	800930		SCREW, M8-1.25 X 16MM (8.8).....	4
27	4117493		HOSE, FUEL (7/16" I.D.).....	1
28	4113021		CLAMP, HOSE	2
29	2701693.7		BRACKET, FUEL (HI-P).....	1
30	4115904		CONNECTOR, TEE (1/4")	1
31	2700166		CLAMP, FUEL PUMP (HI-P)	1

FUEL SYSTEM

ITEM	PART NO.	1 2 3 4 5	DESCRIPTION	QTY.
32	4113019		ADAPTER (1/2-5/16")	1
33	2701897		PUMP, FUEL (K6A EFI)	1
34	2701898		FILTER, FUEL (K6A EFI)	1
35	2701899		REGULATOR, FUEL (K6A EFI)	1
36	309067		WASHER, STAR	1
37	452389		SCREW, M8-1.25 X 25MM (8.8)	2
38	829959		TUBING, CONVOLUTED (25')	AR
39	833851		SEAL, FOAM	AR
40	4113018		ADAPTER (5/16" HOSE-1/4" HOSE)	1
41	4113023		CLAMP, 1/4" CLUTCH-TYPE HOSE	8
42	830425		HOSE, FUEL (1/4" I.D.) (25')	AR
43	825624		CLAMP, HOSE	2
44	831039		HOSE, FUEL (5/32" I.D.) (25')	AR
45	450454		NUT, M10-1.50 (10.9)	1
46	800934		SCREW, M6-1.00 X 16MM (8.8)	2
47	2702009.7		BRACKET, FUEL TANK FRONT	1
48	2702010.7		BRACKET, FUEL TANK REAR	1
49	2702019.7		STRAP, FUEL TANK	1

FUEL SYSTEM

FRONT AND REAR BRAKES & HUBS



All components shown with the brake assembly are used on the front and rear brakes unless otherwise noted.

FRONT AND REAR BRAKES & HUBS

* NOT ILLUSTRATED

ALL COMPONENTS SHOWN WITH ITEM. NO'S. 14 & 19 ARE INCLUDED WITH THESE ASSEMBLIES. IF REPLACEMENT PARTS ARE REQUIRED, THE INDIVIDUAL PARTS SHOWN IN THE ASSEMBLY WILL BE GROUPED INTO KITS AS STATED IN THE ABOVE PARTS LIST.
ALSO REFER TO THE PARTS ILLUSTRATIONS FOR THE **DIFFERENTIAL & FRONT SUSPENSION.**

ITEM	PART NO.	1	2	3	4	5	DESCRIPTION	QTY.
1	304636						PIN, COTTER 1/8" X 1 1/8"	2
2	306325						LOCKWASHER, 5/16"	8
3	306932						NUT, M10-1.50	8
4	800944						SCREW, M10-1.50 X 25MM (10.9)	8
5	800909						NUT, WHEEL RETAINING, M12-1.5	10
6	805843						NUT, CASTLE, 5/8-18	2
7	809156						WASHER, SPECIAL	2
8	817250						CAP, GREASE	2
9	841430						DRUM, BRAKE	2
10	893553						HUB, REAR (ALL MODELS).....	2
11	800908						SCREW, LUG, M12-1.50 X 45MM	10
(10)	893206						HUB, FRONT	2
*	808088						CUP, BEARING (OUTER)	1
*	814474						CUP, BEARING (INNER).....	1
*	800908						SCREW, LUG, M12-1.50 X 45MM	10
12	893519						SEAL AND RETAINER (REAR)	2
13	838539						SEAL, BEARING	1
14	893585						BRAKE, COMPLETE, FRONT (LH)	1
	893586						BRAKE, COMPLETE, FRONT (RH)	1
15	894930						CYLINDER, WHEEL.....	1
16	894932						KIT, BRAKE SHOE.....	1
17	894933						KIT, SPRING (LH)	1
	894934						KIT, SPRING (RH).....	1
18	894935						KIT, ADJUSTER REPAIR (LH).....	1
	894936						KIT, ADJUSTER REPAIR (RH)	1
19	893581						BRAKE, COMPLETE W/LEVER, REAR (LH) ALL MODELS	1
*	893582						BRAKE, COMPLETE W/LEVER, REAR (RH) ALL MODELS	1
	894931						KIT, CYLINDER REPAIR.....	1
20	844813						RING, RETAINER (REAR)	2

HYDRAULIC BRAKES *WITH* FRONT BRAKES

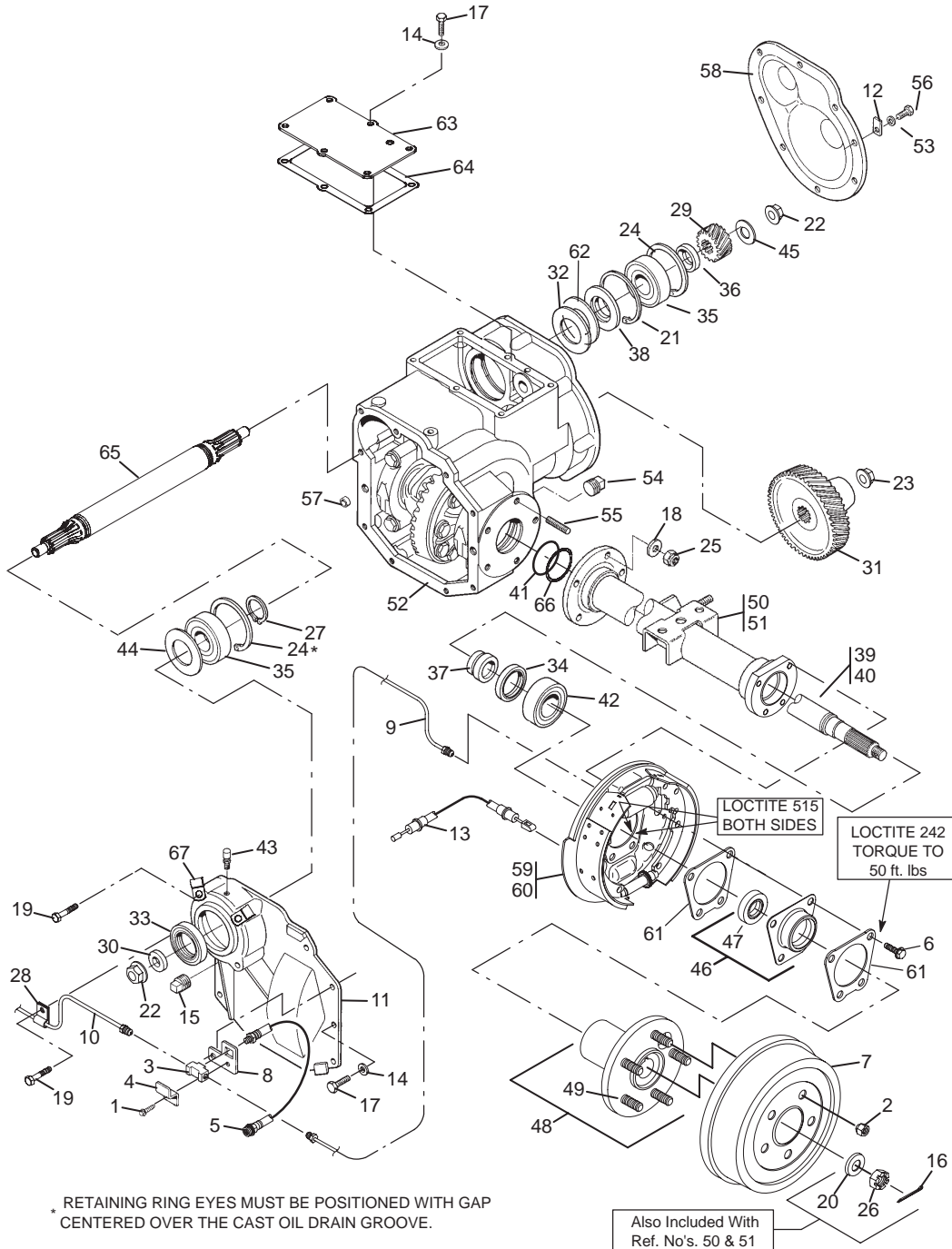
ITEM	PART NO.	1	2	3	4	5	DESCRIPTION	QTY.
1	103867						WASHER, 5/16"	1
2	306328						PIN, COTTER, 3/32" X 3/4"	1
3	450453						NUT, M8-1.25 (G10.9).....	2
4	450510						SCREW, M3-.50 X 20MM (G10.9)	2
5	452388						SCREW, M8-1.25 X 20MM (8.8)	4
6	452424						NUT, M3 - .50	2
7	845380						HOSE, 5/16" BRAKE (6')	AR
8	800934						SCREW, M6-1.00 X16MM (8.8).....	4
9	806714						PIN, CLEVIS 5/16" X 15/16"	1
10	810152						COVER, BRAKE PEDAL	1
11	825624						CLAMP, HOSE	4
12	840725						PIN, BRAKE PIVOT	1
13	840726						BEARING, BRAKE PIVOT	1
14	842051						TUBE, BRAKE LINE REAR	1
15	842103						UNION, BRAKE FITTING (METRIC)	1
16	842935						TAB, LOCKING	1
17	843022						TUBE, REAR BRAKE	1
18	843021						TUBE, FRONT BRAKE	1
19	844167						BRACKET, RESERVOIR MOUNTING	1
20	892921						LEVER, BRAKE	1
21	895113						CYLINDER, BRAKE (DUAL).....	1
22	894167						ROD, BRAKE	1
23	452692						SCREW, TAP M6-1.00 X 12MM.....	1
24	890808						SWITCH, MICRO	1
25	450454						NUT, M10-1.50 (G10.9).....	1
26	452398						SCREW, M10-1.50 X 20MM (8.8)	7
27	809137						CLIP	1
28	810435						CLAMP	2
29	800943						SCREW, TAP #10-14 X 5/8"	1
30	812445						CLAMP, TUBE/WIRE	1
31	841842						TEE, M10-1.00	1

HYDRAULIC BRAKES *WITH* FRONT BRAKES

ITEM	PART NO.	1 2 3 4 5	DESCRIPTION	QTY.
32	843418		CLAMP, TEE	1
33	894456		RESERVOIR, BRAKE FLUID	1
34	825886		TERMINAL, 1/4 L MALE	2
35	826006		CONNECTOR, 2-CONTACT FEMALE	1
36	2702215		RESERVOIR, BRAKE FLUID	1
37	2701737.7		BRACKET, MASTER CYLINDER	1

HYDRAULIC BRAKES *WITH* FRONT BRAKES

HYPOID DIFFERENTIAL 14.21:1



HYPOID DIFFERENTIAL 14.21:1

* REFER TO THE PARTS BREAKDOWN FOR THE BRAKES.

** ALSO INCLUDES ITEM 16, 20 & 26.

ITEM	PART NO.	1	2	3	4	5	DESCRIPTION	QTY.
	4118651						DIFFERENTIAL, 14.21:1.....	1
1	112050						SCREW, 1/4-20 X 5/8", TAPPING	1
2	800909						NUT, WHEEL RETAINING.....	10
3	820008						FITTING, HYDRAULIC BRAKE TEE	1
4	832584						CLAMP, TEE MOUNT BRACKET.....	1
5	832578						HOSE, HYDRAULIC BRAKE.....	1
6	800944						SCREW, M10-1.50 X 25MM.....	8
7	841430						DRUM, BRAKE	2
8	836959						BRACKET, TEE MOUNTING.....	1
9	2703170						TUBE, BRAKE, (LEFT).....	1
10	2703171						TUBE, BRAKE, (RIGHT)	1
11	836431						COVER, FRONT.....	1
12	839948						TAG, 14.21:1 RATIO	1
13	893583						CABLE, PARK BRAKE	2
14	103867						WASHER, 5/16"	8
15	111074						PLUG	1
16	304636						PIN, COTTER, 1/8" X 1 1/8"	2
17	306322						SCREW, 5/16-18 X 7/8".....	12
18	306405						WASHER, 3/8"	10
19	307776						SCREW, 3/8-16 X 2 3/4".....	3
20	845356						WASHER	2
21	548952						LOCKRING	1
22	800559						NUT, 1/2-20, CROWNLOCK.....	2
23	800973						NUT, 3/4-16, CROWNLOCK.....	1
24	800737						RING, RETAINING.....	2
25	805837						LOCKNUT, SPECIAL.....	10
26	800743						NUT, 3/4-16, SLOTTED	2
27	800695						RING, RETAINING	1
28	810435						CLAMP	1
29	842359						PINION, 15 TOOTH.....	1
30	809180						WASHER, SPECIAL.....	1

HYPOID DIFFERENTIAL 14.21:1

* REFER TO THE PARTS BREAKDOWN FOR THE BRAKES.

** ALSO INCLUDES ITEM 16, 20 & 26.

ITEM	PART NO.	1	2	3	4	5	DESCRIPTION	QTY.
31	809254						GEAR, 52 TOOTH	1
32	811993						BEARING, THRUST	1
33	812335						SEAL, OIL.....	1
34**	838539						SEAL, OIL.....	2
35	836693						BEARING, BALL	3
36**	836420						SPACER, PINION.....	1
37	836426						COLLAR, AXLE BEARING	2
38	845034						COLLAR, THRUST.....	1
39	2700530						SHAFT ASSEMBLY (LEFT).....	1
	2700514						SHAFT, AXLE (LEFT) 23.27" (591.05 MM).....	1
40	2700531						SHAFT ASSEMBLY (RIGHT)	1
	2700515						SHAFT, AXLE (RIGHT) 29.21" (741.93 MM)	1
41	836694						SEAL, 'O' RING	2
42	836695						BEARING, TAPERED ROLLER.....	2
43	836852						BREATHER	1
44	837020						BAFFLE, VENT.....	1
45	809180						WASHER	1
46	893519						RETAINER, COMPLETE W/SEAL	2
47	838539						SEAL, BEARING.....	1
48	893552						HUB	2
49	800908						SCREW, WHEEL RETAINING	5
50	2703506.7						HOUSING, AXLE (LEFT)	1
51	2703507.7						HOUSING, AXLE (RIGHT).....	1
52	891829						HOUSING, CARRIER W/GEARS	1
53	103867						WASHER, 5/16"	14
54*	111074						PLUG	1
55*	111758						STUD	10
56	306322						SCREW, 5/16-18 X 7/8"	14
57	517226						BUSHING.....	2
58	836443						COVER, REAR	1
59							BRAKE, REAR COMPLETE, (RIGHT)	1

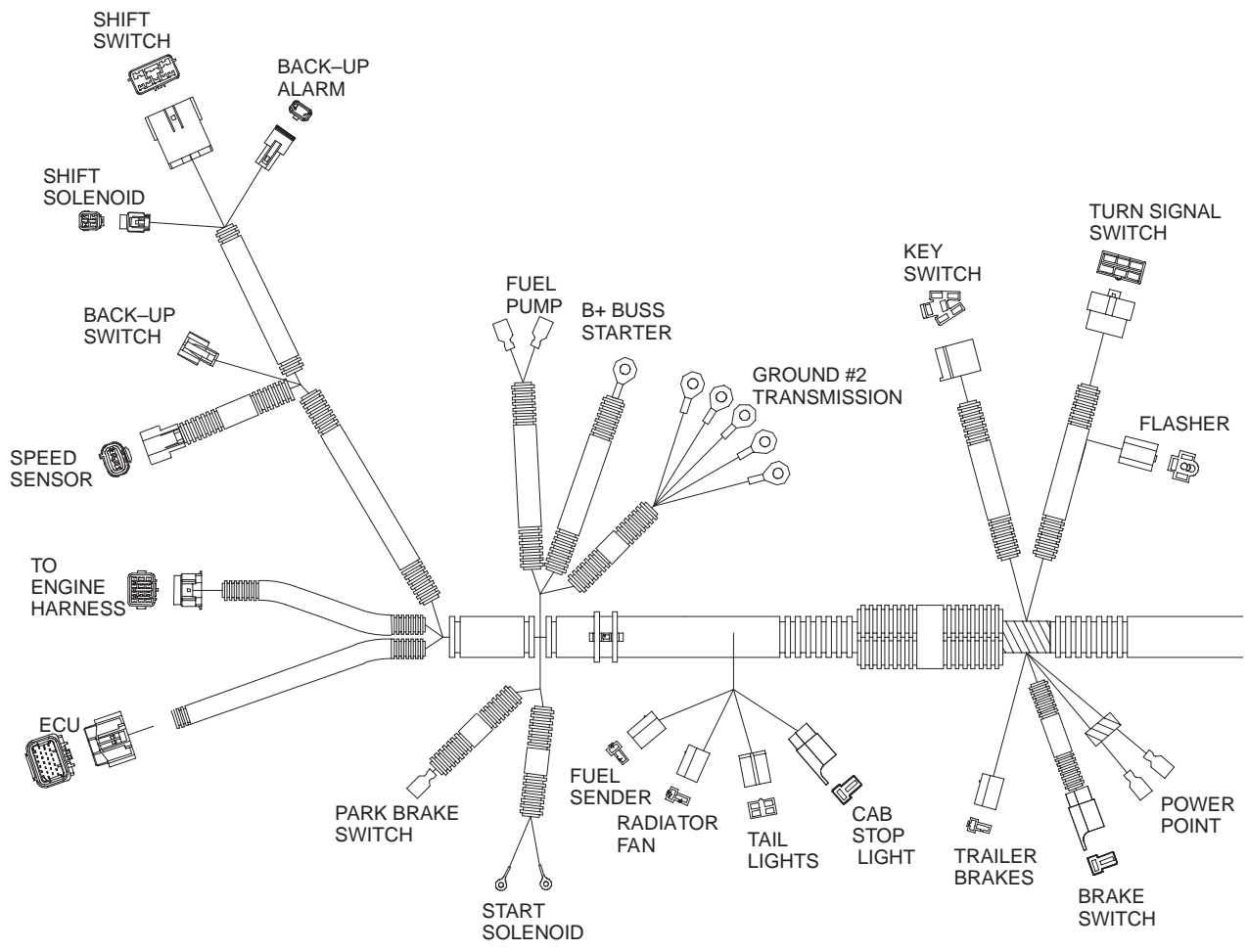
HYPOID DIFFERENTIAL 14.21:1

* REFER TO THE PARTS BREAKDOWN FOR THE BRAKES.

** ALSO INCLUDES ITEM 16, 20 & 26.

ITEM	PART NO.	1	2	3	4	5	DESCRIPTION	QTY.
60							BRAKE, REAR COMPLETE, (LEFT).....	1
61	844813						RING, BACKING	4
62	844951						SHIM, .003	1
	844952						SHIM, .005	1
	844953						SHIM, .010	1
63	836665						COVER	1
64	836671						GASKET	1
65	836423						SHAFT	1
66	2703481						O RING	1
67	810437						CLIP.....	2

MAIN WIRE HARNESS



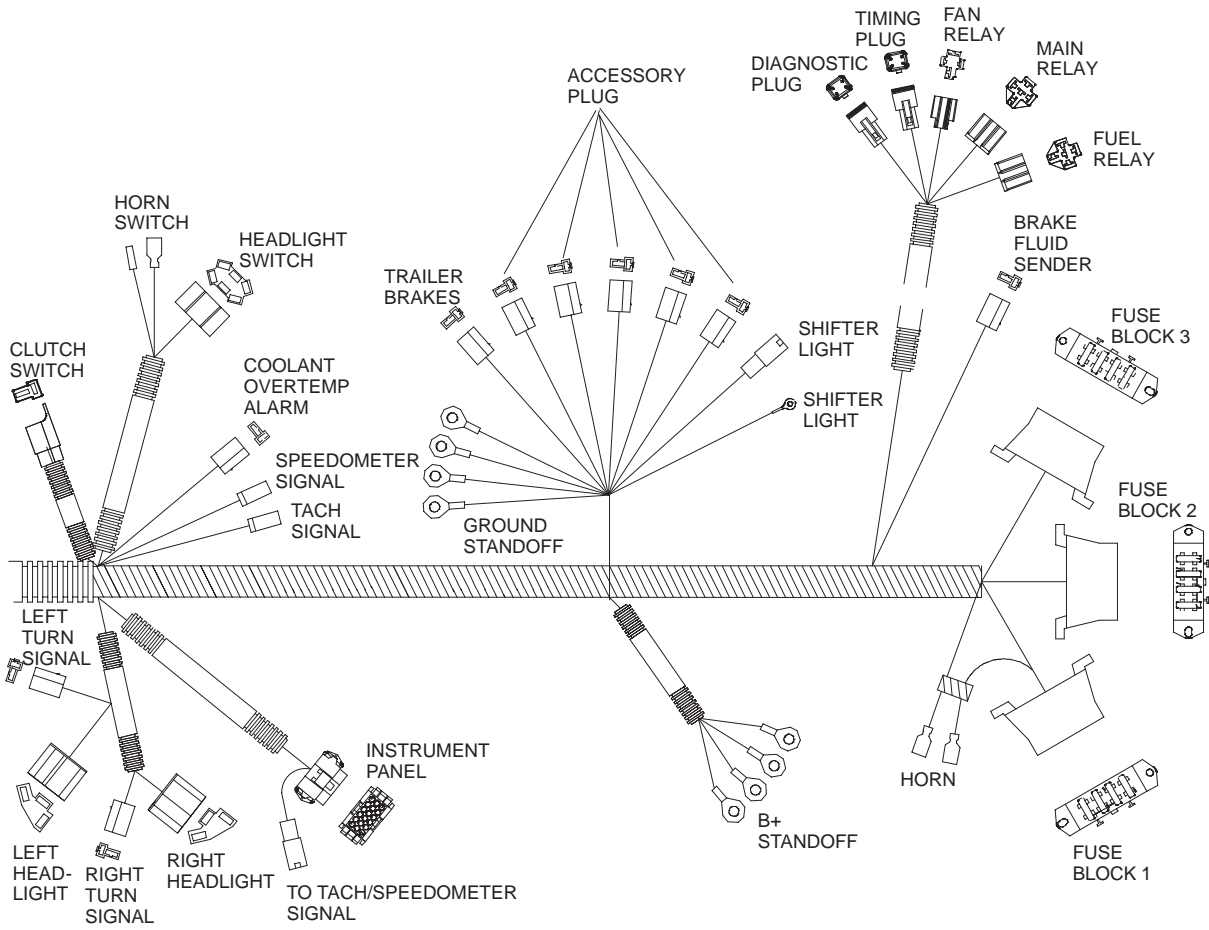
The wiring is shown as a reference only. Although the actual harness resembles the illustration shown, connections, terminals and routing can change without notice

MAIN WIRE HARNESS

* NOT ILLUSTRATED.

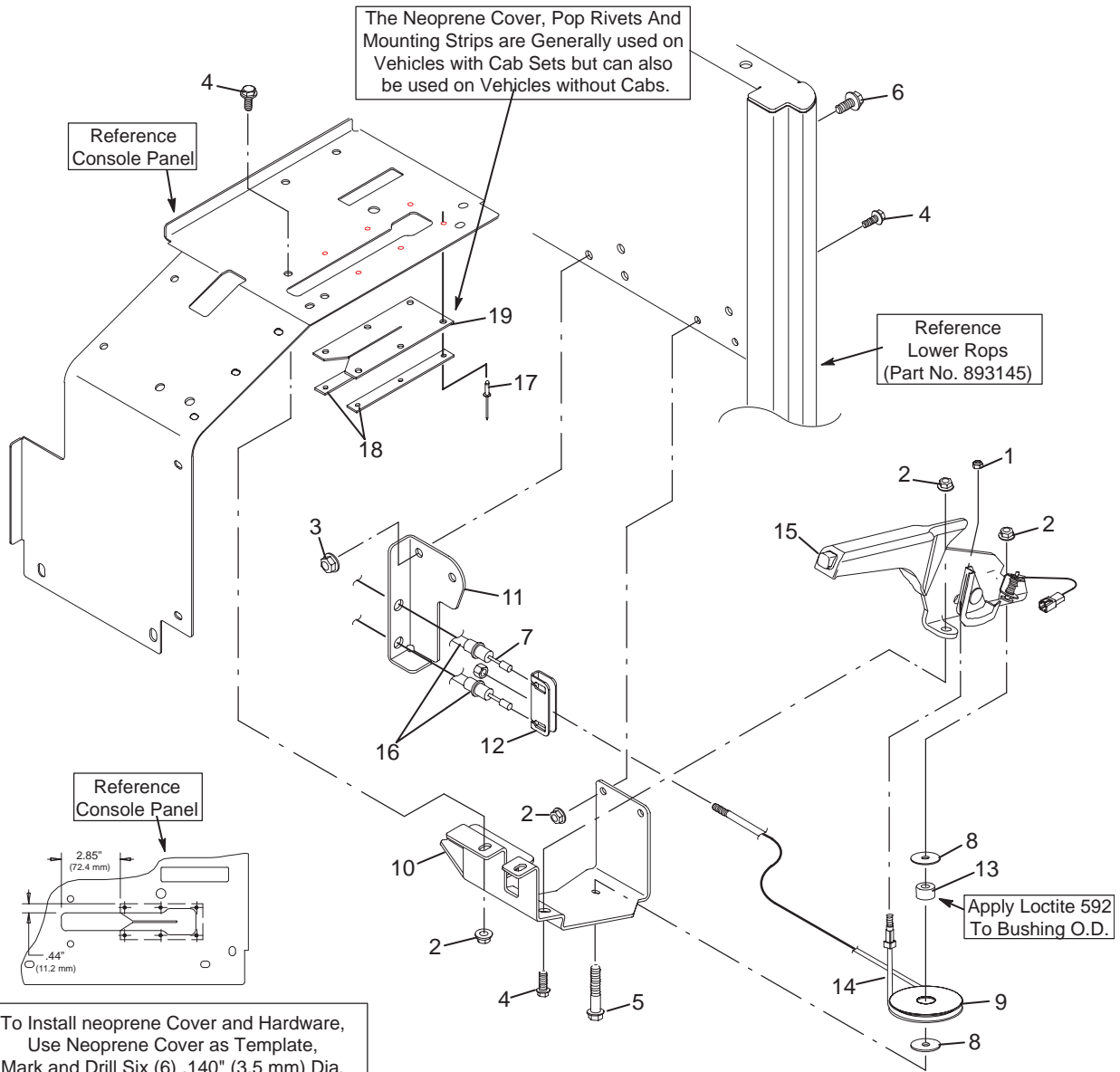
ITEM	PART NO.	1 2 3 4 5	DESCRIPTION	QTY.
1	4115709		HARNESS, MAIN	1
*	4117669		HARNESS, ACCESSORY	1
*	4116017		HARNESS, ALTERNATOR	1
*	4116018		HARNESS, TEMPERATURE SENDER	1

MAIN WIRE HARNESS



MAIN WIRE HARNESS

PARK BRAKE LEVER AND CABLE

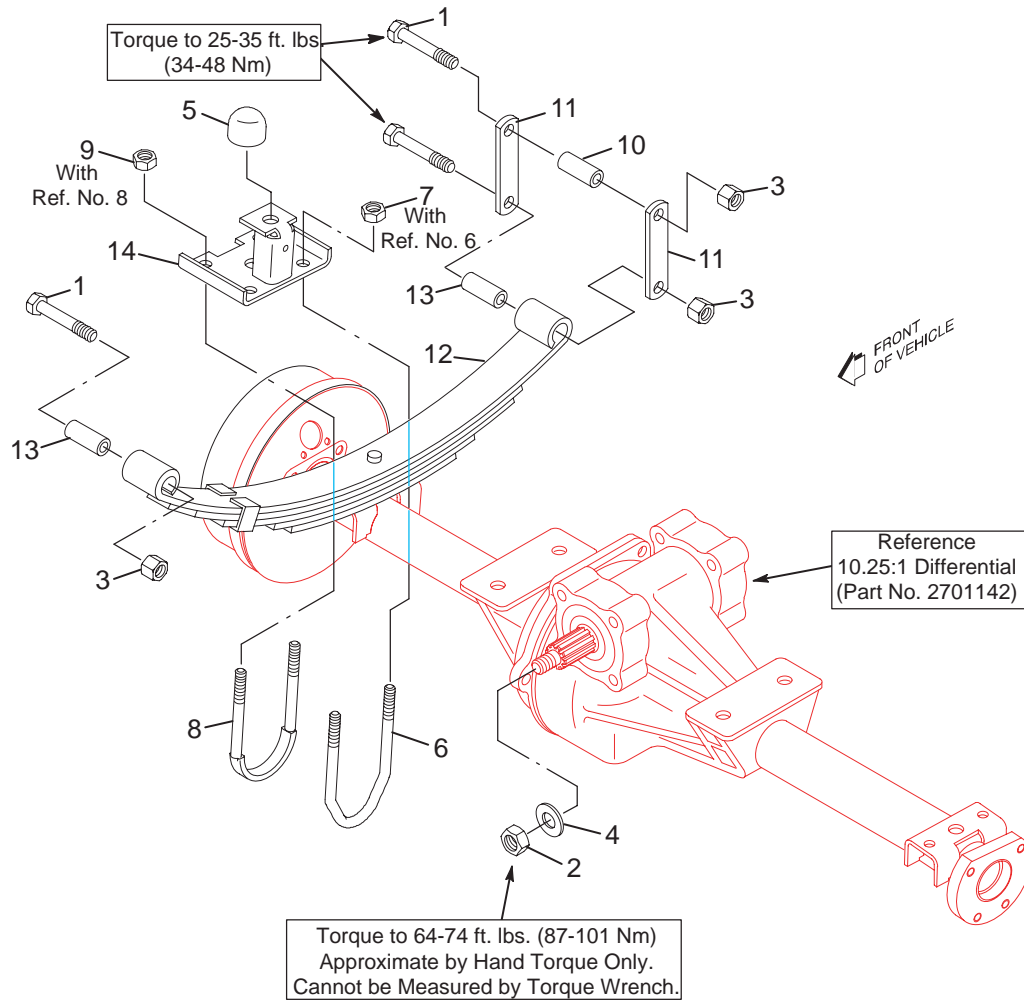


To Install neoprene Cover and Hardware, Use Neoprene Cover as Template, Mark and Drill Six (6) .140" (3.5 mm) Dia. Holes. Position Neoprene Cover and Secure using Mounting Strips and Rivets as shown

PARK BRAKE LEVER AND CABLE

ITEM	PART NO.	1	2	3	4	5	DESCRIPTION	QTY.
1	450377						NUT, STAYTITE, M6-1.00	1
2	450453						NUT, M8-1.25 (G10.9).....	6
3	450454						NUT, M10-1.50 (10.9).....	2
4	452388						SCREW, M8-1.25 X 20MM (G8.8)	5
5	452391						SCREW, M8-1.25 X 40MM (8.8)	1
6	452398						SCREW, M10-1.50 X 20MM (8.8).....	2
7	800446						LOCKNUT, 5/16-24	1
8	809152						WASHER, 5/16" X 1 3/16".....	2
9	827182						PULLEY, 3" DIA. (76 MM DIA.)	1
10	845134						BRACKET, PARK BRAKE LEVER	1
11	843158						BRACKET, PARK BRAKE CABLE	1
12	843356						EQUALIZER, PARK BRAKE	1
13	843359						BUSHING, PARK BRAKE	1
14	845133						CABLE, PARK BRAKE.....	1
15	894317						LEVER, PARK BRAKE.....	1
16	893583						CABLE, PARK BRAKE (TO REAR BRAKES).....	2
17	133741						RIVET, POP (.12 .5 CLSD. END).....	6
18	2701335						MOUNTING, PARK BRAKE	1
19	2701336						COVER, PARKING BRAKE	1

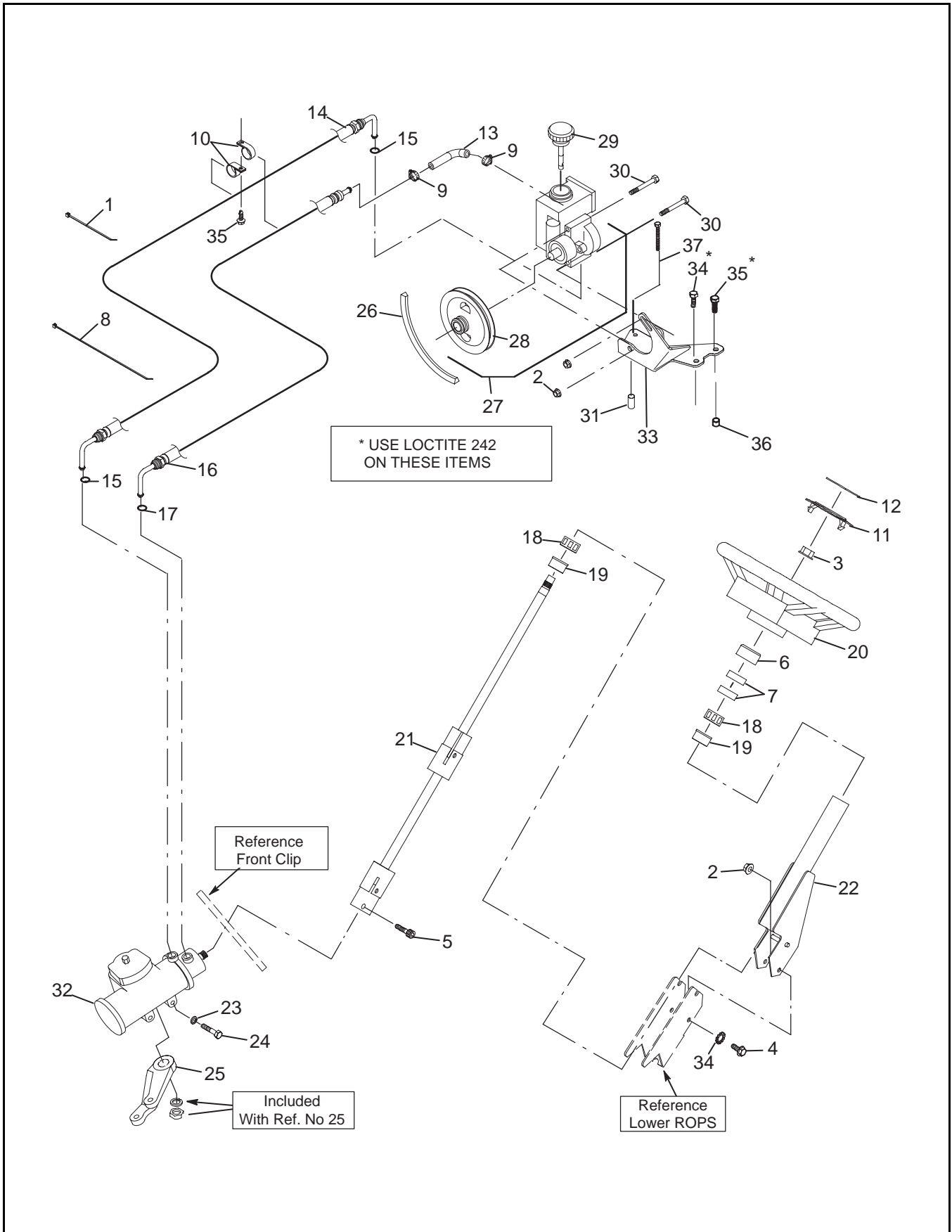
REAR SPRING, SHACKLES & U-BOLTS



REAR SPRING, SHACKLES & U-BOLTS

ITEM	PART NO.	1	2	3	4	5	DESCRIPTION	QTY.
1	311398						SCREW, 1/2-13 X 3 1/2"	6
2	800198						NUT, 1/2-20 CROWNLOCK	1
3	800602						NUT, 1/2-13	6
4	809180						WASHER, 7/16"	1
5	813850						BUMPER, RUBBER	2
6	887187						U-BOLT, 2"	2
7	548061						NUT, 7/16-20 UNITORQ	2
8	887188						U-BOLT, 2 1/2"	2
9	548061						NUT, 7/16-20 UNITORQ	2
10	843238						BUSHING, NYLATRON	2
11	843876						SHACKLE, REAR SPRING	4
12	893862						SPRING, LEAF (1 TON)	2
13	843238						BUSHING, NYLATRON	2
14	893613						UPSTOP	2

STEERING WHEEL, STEERING SHAFT, CONNECTING HOSES POWER STEERING PUMP AND STEERING GEAR



STEERING WHEEL, STEERING SHAFT, CONNECTING HOSES POWER STEERING PUMP AND STEERING GEAR

* SERVICE PARTS FOR THE PUMP ARE AVAILABLE AT AUTOMOTIVE CENTERS. REFER TO 1991-92 BUICK REGAL WITH A 3.8L V6 ENGINE (SAGINAW PUMP #26025515).

** ALSO SEE ALTERNATOR, ENGINE BELTS, PULLEYS AND BRACKETS.

ITEM	PART NO.	1 2 3 4 5	DESCRIPTION	QTY.
1	320107		TIE, CABLE, 7 1/2" (190 MM)	3
2	450453		NUT, M8-1.25 (G10.9).....	4
3	450457		NUT, M16-2.00	1
4	800930		SCREW, M8-1.25 X 16 MM (G8.8)	2
5	450739		SCREW, M10-1.50 X 30 MM (G12.9)	1
6	2700453		COVER	1
7	819923		COLLAR, FOAM	2
8	823549		TIE, CABLE, 15 1/2" (394 MM)	2
9	830930		CLAMP.....	2
10	809092		CLAMP, TUBE.....	2
11	892486		COVER, STEERING WHEEL CENTER	1
12	839862		DECAL, STEERING WHEEL.....	1
13	840222		HOSE, 3/8 I.D. X 90° ELBOW	1
14	843767		HOSE, STEERING PRESSURE	1
15	111838		'O'-RING	2
16	843768		HOSE, STEERING RETURN.....	1
17	111838		'O'-RING	1
18	808060		BEARING, NEEDLE	2
19	828590		HOUSING, BEARING.....	2
20	892228		WHEEL, STEERING (W/O HORN).....	1
21	893344		SHAFT, STEERING	1
22	893571		TUBE, STEERING MOUNT	1
23	303269		LOCKWASHER, 7/16"	3
24	311392		SCREW, 7/16-14 X 2"	3
25	841336		ARM, PITMAN.....	1
26	2700565		V-BELT, 45" (1143 MM)	1
27	* 892534		PUMP, POWER STEERING	1
28	839907		PULLEY, STEERING PUMP.....	1
29	2700573		CAP, STEERING RESERVOIR	1
30	452394		SCREW, M8-1.25 X 70 MM (8.8)	2
31	4117464		SPACER.....	4

STEERING WHEEL, STEERING SHAFT, CONNECTING HOSES POWER STEERING PUMP AND STEERING GEAR

* SERVICE PARTS FOR THE PUMP ARE AVAILABLE AT AUTOMOTIVE CENTERS. REFER TO 1991-92 BUICK REGAL WITH A 3.8L V6 ENGINE (SAGINAW PUMP #26025515).

** ALSO SEE ALTERNATOR, ENGINE BELTS, PULLEYS AND BRACKETS.


ITEM	PART NO.	1 2 3 4 5	DESCRIPTION	QTY.
32	841255		GEAR, POWER STEERING	1
33	4115183.7		BRACKET, POWER STEERING.....	1
34	2702469		BOLT	1
35	452389		SCREW, M8-1.25 X 25 MM	1
36	4117459		SPACER.....	1
37	452381		SCREW, M6-1.0 X 40 MM	1

TORQUE SPECIFICATIONS HEX HEAD CAP SCREWS

The torque values shown should be used as a general guideline when specific torque values are not given.
 Note the minimum grade for U.S. standard bolt is grade 5.

U.S. Standard Hardware


Grade	Shank Size (Diameter in inches, fine or coarse thread)														
		1/4	5/16	3/8	7/16	1/2	9/16	5/8	3/4	7/8	1	1 1/8			
SAE grade 5*	ft.-lbs.	9	18	31	50	75	110	150	250	378	583	782			
	N-m	12	24	42	68	102	150	203	339	513	790	1060			
SAE grade 8**	ft.-lbs.	13	28	46	75	115	165	225	370	591	893	1410			
	N-m	18	38	62	108	156	224	305	502	801	1211	1912			
Flangelock Screw w/ Flangelock Nut	ft.-lbs.		24	40											
	N-m		33	54											

* Grade 5 marking –  Minimum commercial quality (Lower quality not recommended).


** Grade 8 marking – 

Metric Standard Hardware

Grade	Shank Size (Diameter in millimeters, fine or coarse thread)														
		M4	M5	M6	M7	M8	M10	M12	M14	M16	M18	M20	M22	M24	M27
Grade 8.8*	ft.-lbs.	1.5	3	5.2	8.2	13.5	24	43.5	70.5	108	142	195	276	353	530
	N-m	2	4	7	11	18	32	58	94	144	190	260	368	470	707
Grade 10.9**	ft.-lbs.	2.2	4.5	7.5	12	18.8	35.2	62.2	100	147	202	275	390	498	747
	N-m	3	6	10	16	25	47	83	133	196	269	366	520	664	996
Grade 12.9***	ft.-lbs.	2.7	5.2	8.2	15	21.8	43.5	75	119	176	242	330	471	596	904
	N-m	3.6	7	11	20	29	58	100	159	235	323	440	628	794	1205

* Grade 8.8 marking – 

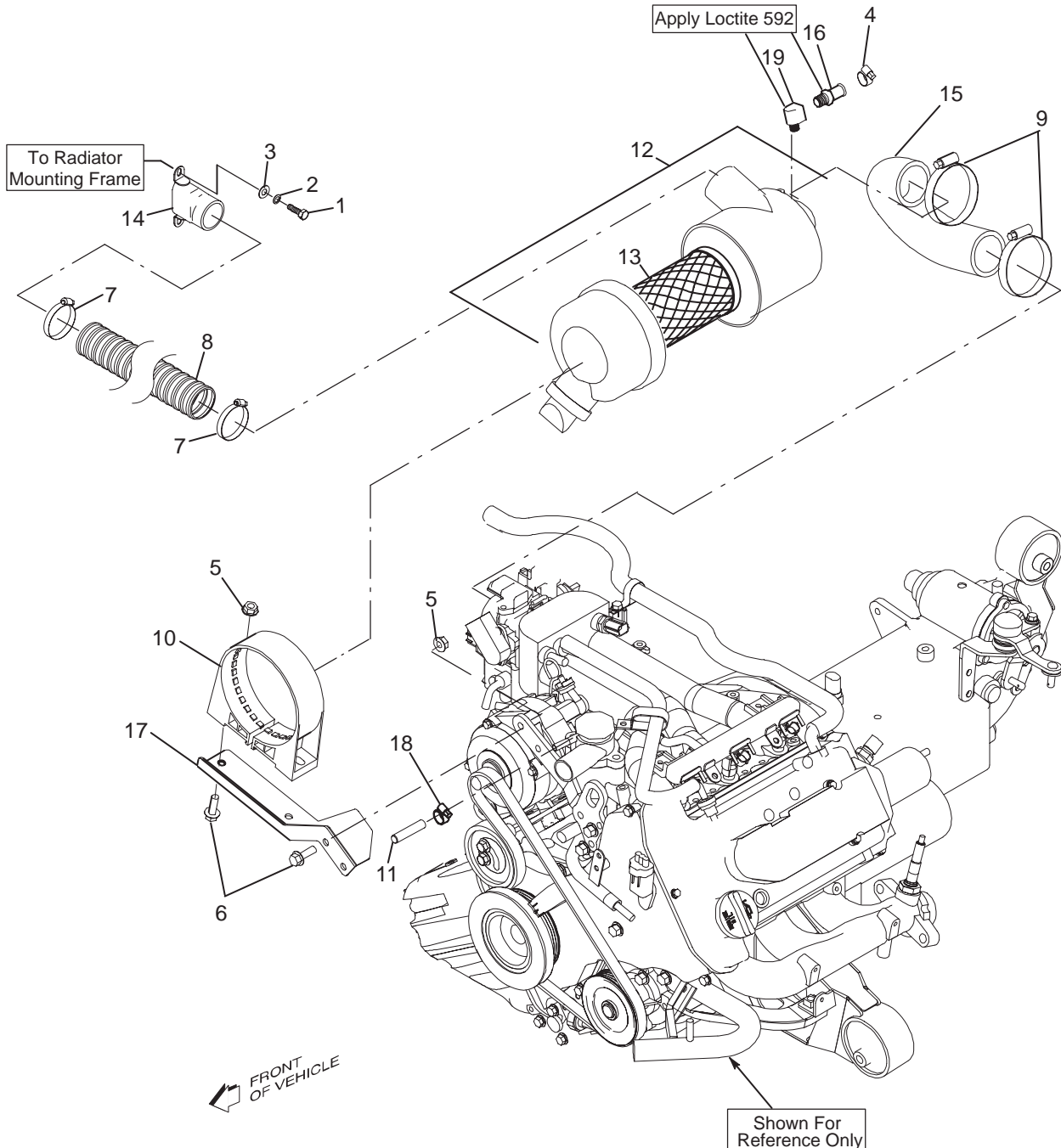
** Grade 10.9 marking – 

*** Grade 12.9 marking – 

ENGINE

ENGINE

AIR CLEANER



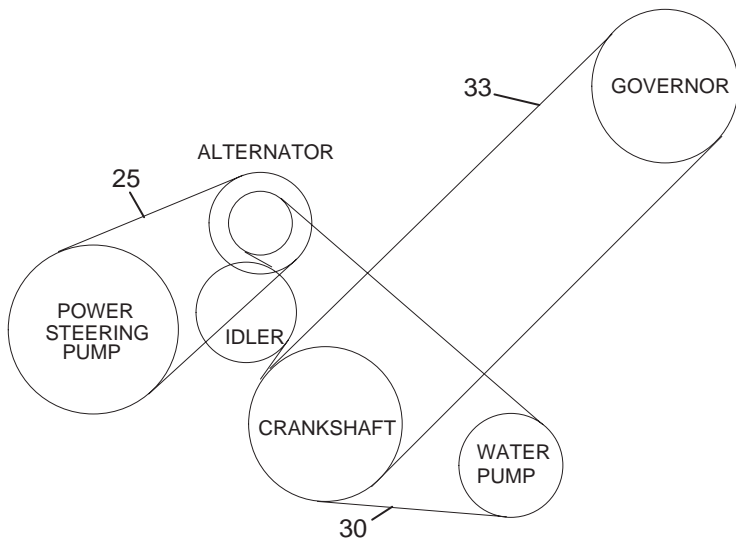
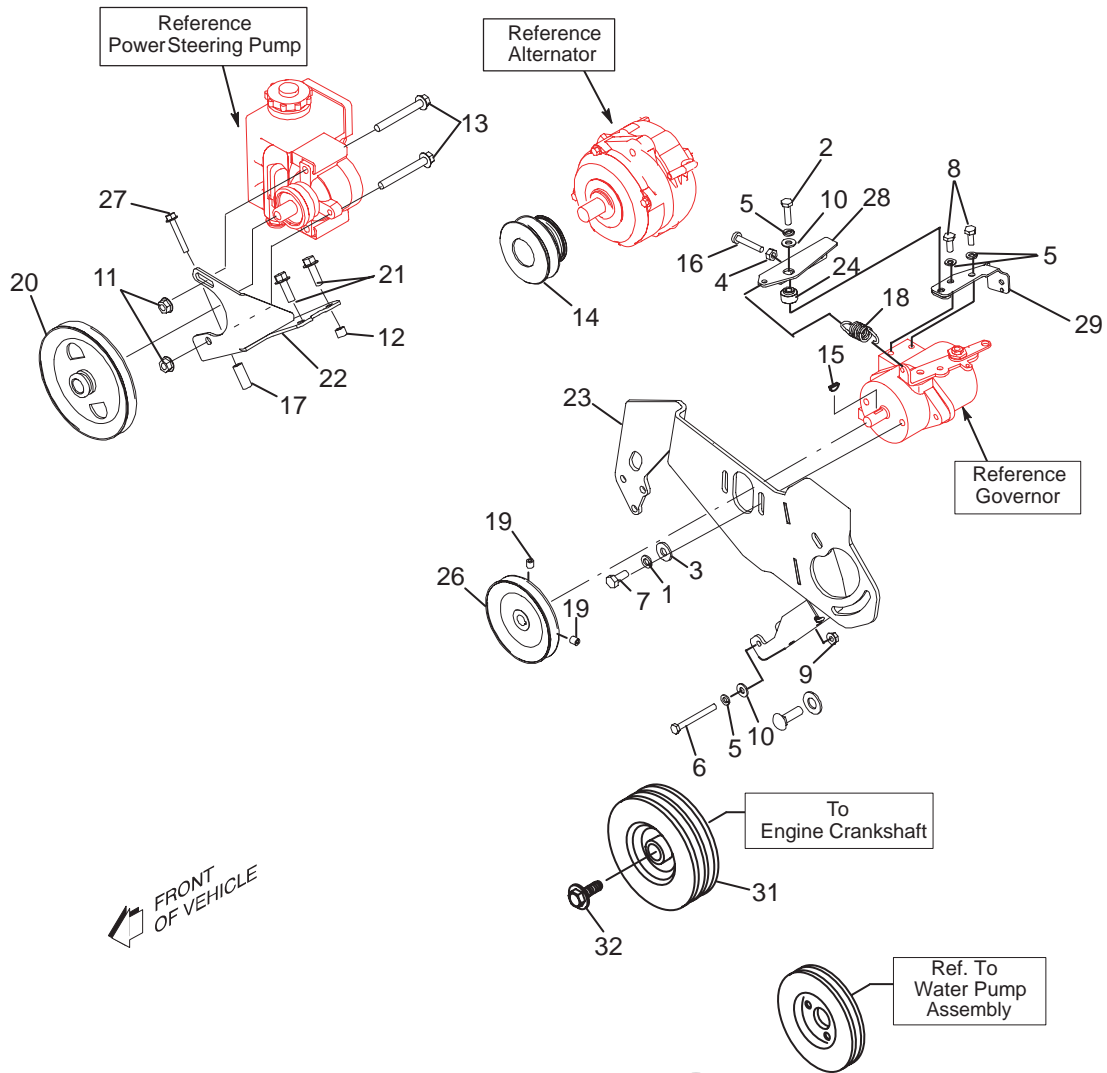
AIR CLEANER

ITEM	PART NO.	1 2 3 4 5	DESCRIPTION	QTY.
1	300646		SCREW, 1/4-20 X 3/4"	2
2	306396		LOCKWASHER, 1/4"	2
3	308090		WASHER, 1/4"	2
4	832033		CLAMP	2
5	450453		NUT, M8-1.25 (G10.9).....	4
6	452389		SCREW, M8-1.25 X 25 MM(G8.8)	4
7	825358		CLAMP, WORM-DRIVE	4
8	4118557		HOSE, AIR CLEANER	1
9	825358		CLAMP, WORM-DRIVE	2
10	842915		BRACKET, AIR FILTER	1
11	845224		CAP, 1/4" X 1.....	1
12	4118027		FILTER COMPLETE, AIR	1
13	840352		ELEMENT, AIR CLEANER.....	1
14	888549		CONNECTOR, HOSE (AIR CLEANER).....	1
15	4115401		HOSE, AIR CLEANER	1
16	4118422		BRASS HOSE BARB, 1/4" NPT.....	1
17	4115792.7		BRACKET, AIR CLEANER.....	1
18	825624		CLAMP	1
19	4118423		STREET ELBOW, 1/4" NP	1

ALTERNATOR

ITEM	PART NO.	1 2 3 4 5	DESCRIPTION	QTY.
1	4120119		ALTERNATOR.....	1
2	4120120		PULLEY	1
3	4119618		NUT, PULLEY	1
4	4119617		SCREW SET	1
5	4120121		SCREW	1
6	4120122		BEARING.....	1
7	4120123		RETAINER, BEARING.....	1
8	4120124		BUSHING	1
9	4120125		ROTOR.....	1
10	4119615		BEARING, REAR	1
11	4120126		STATOR.....	1
12	4120127		TERMINAL SET.....	1
13	4120128		REGULATOR.....	1
14	4119616		BRUSH SET	1
15	4120129		RECTIFIER.....	1
16	4120130		ARM, GENERATOR.....	1
17	4119603		BOLT	1
18	4120131		BOLT	1
19	2701914		NUT.....	1

BELTS AND PULLEYS



BELTS AND PULLEYS

ITEM	PART NO.	1	2	3	4	5	DESCRIPTION	QTY.
1	548155						WASHER, 3/8"	2
2	302288						SCREW, 1/4-20 X 1MM	2
3	306325						WASHER, 5/16", SPRING LOCK.....	3
4	306375						NUT, 1/4-20, JAM.....	4
5	306396						LOCKWASHER, 1/4"	4
6	450179						SCREW, M6-1.0 X 60MM, G8.8.....	1
7	306450						SCREW, 5/16-18 X 3/4"	2
8	306487						SCREW, 1/4-20 X 5/8"	2
9	450452						NUT, M6	1
10	308090						WASHER, 1/4"	2
11	450453						NUT, M8	2
12	4117459						SPACER, 7/16" X 11/32"	1
13	452394						BOLT, M8-1.25 X 70, G8.8	2
14	4115778						PULLEY, ALTERNATOR	1
15	2702249						KEY, WOODRUFF, 1/8" X 1/2".....	1
16	800024						SCREW, 1/4-20 X 1 1/2"	2
17	4117464						SPACER, 7/16" X 1 3/32".....	1
18	833101						SPRING, EXTENSION	1
19	548201						SCREW, 5/16-18 X 5/16", SET, HEX SOCKET	2
20	839907						PULLEY, 5 1/2" (140 MM), STEERING PUMP	1
21	452389						SCREW, M8-1.25 X 25MM	4
22	4115183.7						BRACKET, POWERSTEERING.....	1
23	4115355.7						BRACKET, GOVERNOR.....	1
24	843866						BUSHING, GOVERNOR	1
25	4115404						BELT, V	1
26	842996						PULLEY, 4" (102 MM)	1
27	452381						SCREW, M6-1.0 X 40MM, G8.8.....	2
28	894434						ARM	1
29	894435						BRACKET, GOVERNOR.....	1
30	4120026						BELT, WATER PUMP	1
31	4120020						PULLEY, CRANKSHAFT	1

BELTS AND PULLEYS

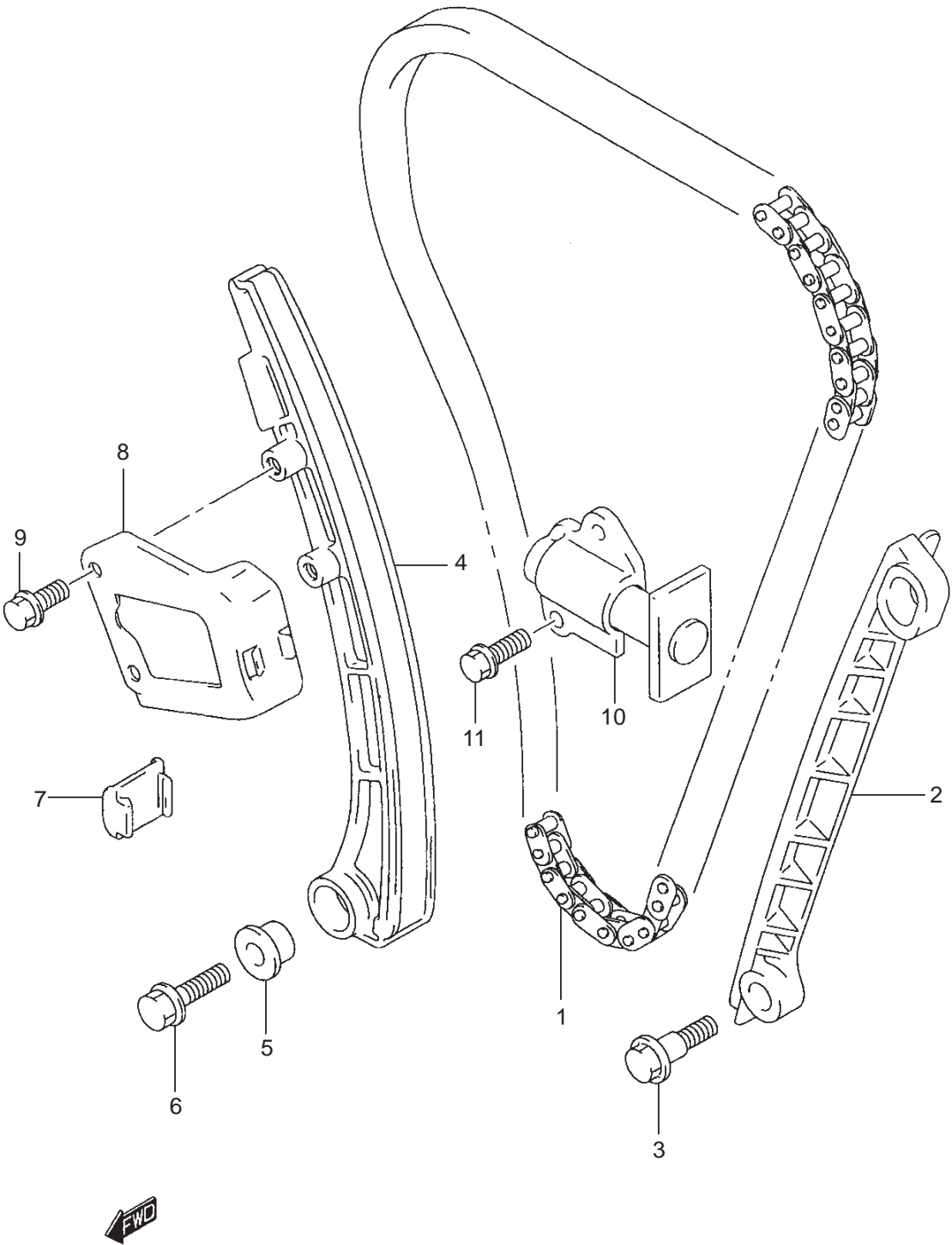
ITEM	PART NO.	1 2 3 4 5	DESCRIPTION	QTY.
32	4120022		BOLT	1
33	4115407		BELT, V INDUSTRIAL	1

BELTS AND PULLEYS

BREATHER HOSE

ITEM	PART NO.	1 2 3 4 5	DESCRIPTION	QTY.
1	4120054		HOSE, BREATHER.....	1
2	2702484		CLIP	2
3	2702485		CLAMP	1
4	2702486		BOLT	1
5	4120055		HOSE, PCV.....	1
6	2702489		SEAL, PCV VALVE.....	1
7	4120056		VALVE, PCV	1
8	2702491		CLIP	2
9	4120057		CLAMP.....	1
10	2702486		BOLT	1

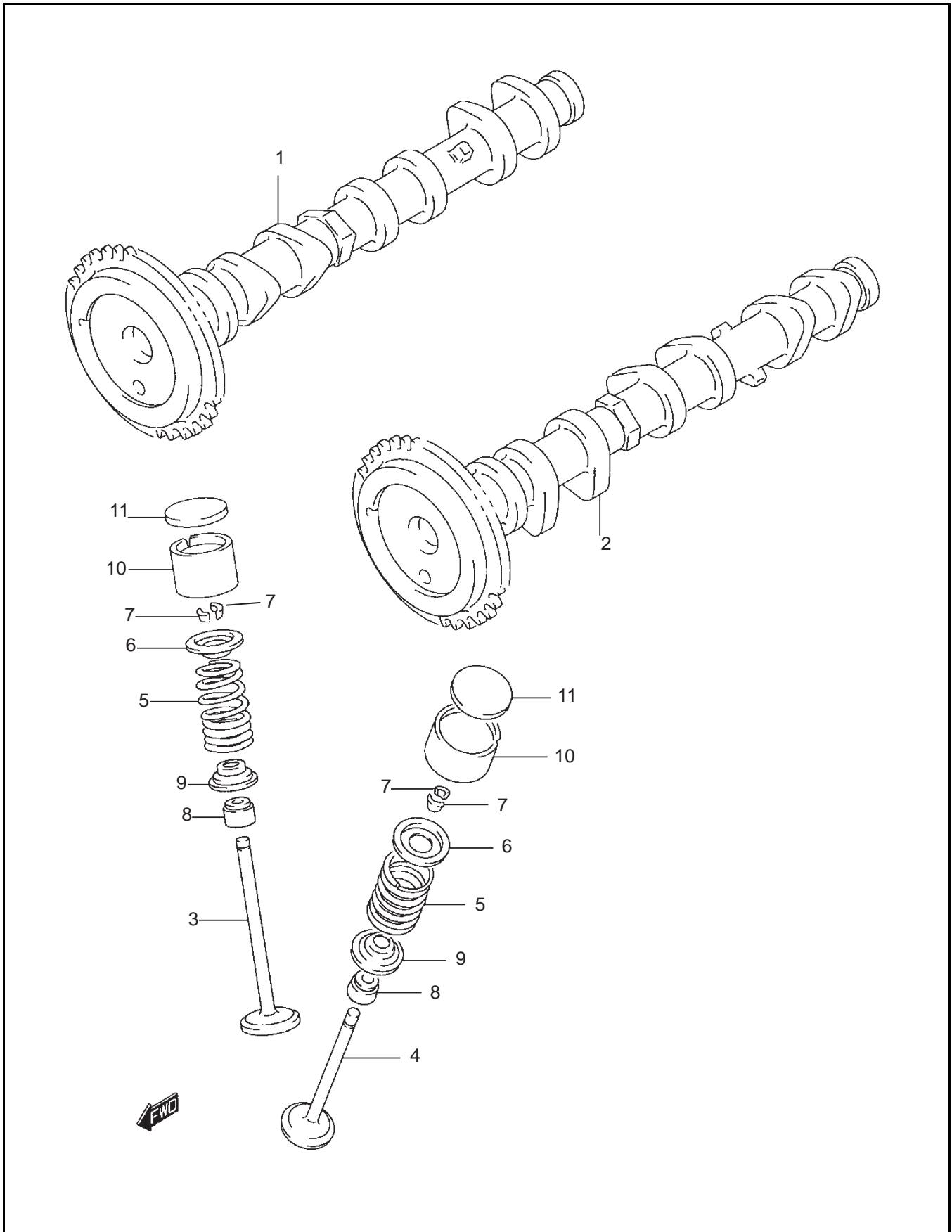
CAM CHAIN



CAM CHAIN

ITEM	PART NO.	1 2 3 4 5	DESCRIPTION	QTY.
1	4120037		CHAIN, TIMING	1
2	4120038		GUIDE, CHAIN.....	1
3	4120039		BOLT	2
4	4120040		TENSIONER, CHAIN	1
5	4120041		SPACER.....	1
6	2702469		BOLT	1
7	4120042		PAD, TENSIONER	1
8	4120043		LINK, TENSIONER	1
9	2702486		BOLT	2
10	4120044		ADJUSTER, TENSIONER	1
11	2701834		BOLT	2

CAM SHAFT



CAM SHAFT

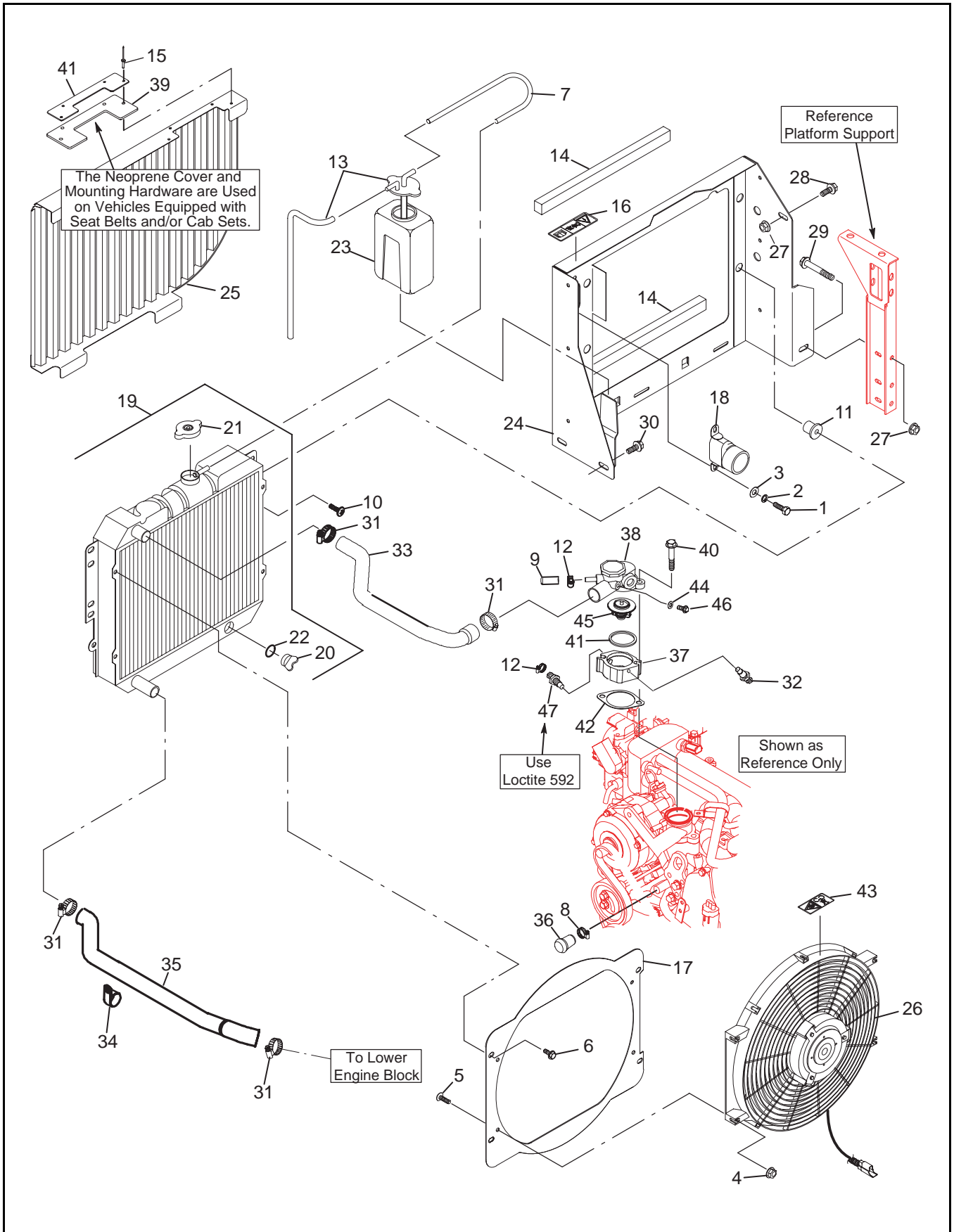
ITEM	PART NO.	1 2 3 4 5	DESCRIPTION	QTY.
1	4120030		CAMSHAFT, INTAKE	1
2	4120031		CAMSHAFT, EXHAUST.....	1
3	4120032		VALVE, INTAKE	6
4	4120033		VALVE, EXHAUST	6
5	4120034		SPRING, VALVE.....	12
6	4120035		RETAINER, SPRING	12
7	2701970		COTTER, VALVE	24
8	2701972		SEAL, VALVE STEM OIL	12
9	2701971		SEAT, SPRING.....	12
10	4119911		TAPPET	12
11	4119912		SHIM, TAPPET (T:2.18)	AR
	4119913		SHIM, TAPPET (T:2.20)	AR
	4119914		SHIM, TAPPET (T:2.22)	AR
	4119915		SHIM, TAPPET (T:2.24)	AR
	4119916		SHIM, TAPPET (T:2.26)	AR
	4119917		SHIM, TAPPET (T:2.28)	AR
	4119918		SHIM, TAPPET (T:2.30)	AR
	4119919		SHIM, TAPPET (T:2.32)	AR
	4119920		SHIM, TAPPET (T:2.34)	AR
	4119921		SHIM, TAPPET (T:2.36)	AR
	4119922		SHIM, TAPPET (T:2.38)	AR
	4119923		SHIM, TAPPET (T:2.40)	AR
	4119924		SHIM, TAPPET (T:2.42)	AR
	4119925		SHIM, TAPPET (T:2.44)	AR
	4119926		SHIM, TAPPET (T:2.46)	AR
	4119927		SHIM, TAPPET (T:2.48)	AR
	4119928		SHIM, TAPPET (T:2.50)	AR
	4119929		SHIM, TAPPET (T:2.52)	AR
	4119930		SHIM, TAPPET (T:2.46)	AR
	4119931		SHIM, TAPPET (T:2.46)	AR
	4119932		SHIM, TAPPET (T:2.46)	AR

CAM SHAFT

ITEM	PART NO.	1 2 3 4 5	DESCRIPTION	QTY.
	4119933		SHIM, TAPPET (T:2.46)	AR
	4119934		SHIM, TAPPET (T:2.46)	AR
	4119935		SHIM, TAPPET (T:2.46)	AR
	4119936		SHIM, TAPPET (T:2.46)	AR
	4119937		SHIM, TAPPET (T:2.46)	AR
	4119938		SHIM, TAPPET (T:2.46)	AR
	4119939		SHIM, TAPPET(T:2.46)	AR
	4119940		SHIM, TAPPET (T:2.46)	AR
	4119941		SHIM, TAPPET (T:2.46)	AR
	4119942		SHIM, TAPPET (T:2.46)	AR
	4119943		SHIM, TAPPET (T:2.46)	AR
	4119944		SHIM, TAPPET (T:2.46)	AR
	4119945		SHIM, TAPPET (T:2.46)	AR
	4119946		SHIM, TAPPET (T:2.46)	AR
	4119947		SHIM, TAPPET (T:2.46)	AR
	4119948		SHIM, TAPPET (T:2.46)	AR
	4119949		SHIM, TAPPET (T:2.46)	AR
	4119950		SHIM, TAPPET (T:2.46)	AR
	4119951		SHIM, TAPPET (T:2.46)	AR
	4119952		SHIM, TAPPET (T:2.46)	AR
	4119953		SHIM, TAPPET (T:2.46)	AR

CAM SHAFT

COOLING SYSTEM



COOLING SYSTEM

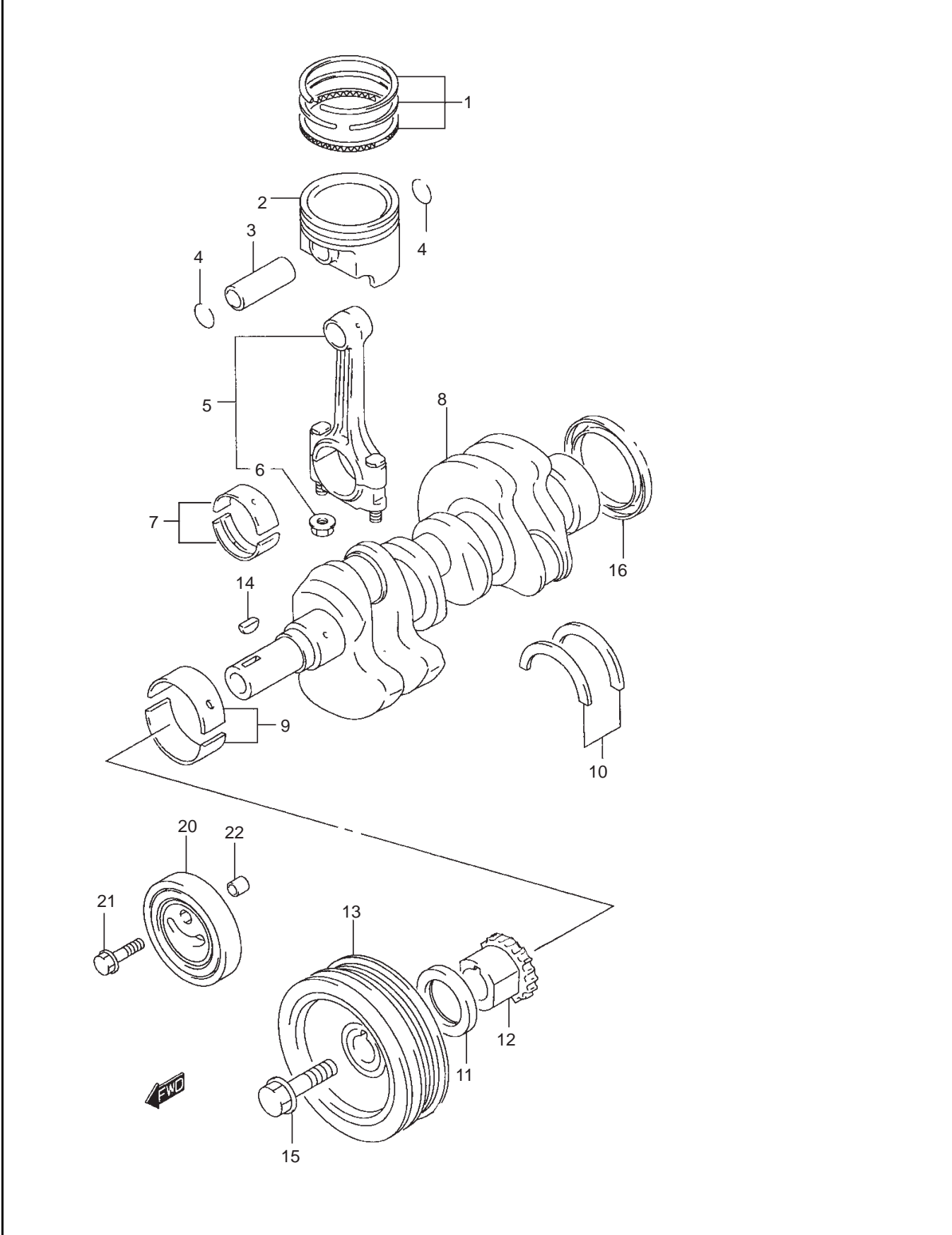
ITEM	PART NO.	1 2 3 4 5	DESCRIPTION	QTY.
1	300646		SCREW, 1/4-20 X 3/4"	2
2	306396		LOCKWASHER, 1/4"	2
3	308090		WASHER, 1/4"	2
4	450452		NUT, M6-1.00	4
5	450541		SCREW, M6-1.00 X 16MM	4
6	452378		SCREW, M6-1.00 X 20MM	5
7	835805		HOSE, RADIATOR OVERFLOW	AR
8	832033		CLAMP, TUBE	1
9	845224		CAP, .313 X 1	1
10	800177		SCREW, 5/16-18 X 3/4"	4
11	831846		NUT, ISOLATION	4
12	825624		CLAMP, HOSE	1
13	889051		CAP, COOLANT RESERVOIR	1
14	833512		FOAM	2
15	133741		RIVET, POP (.12 .50 CLSD END)	4
16	840754		DECAL, WARNING PRESSURE	1
17	4115029.7		BRACKET, FAN MOUNTING	1
18	888549		CONNECTOR, HOSE (AIR CLEANER)	1
19	894590		RADIATOR	1
20	833443		PLUG	1
21	889049		CAP, RADIATOR	1
22	833442		O-RING	1
23	889050		RESERVOIR, COOLANT	1
24	893388		MOUNT, RADIATOR	1
25	893554		SCREEN	1
26	4115033		FAN, RADIATOR, COOLING	1
27	450453		NUT, M8-1.25 (G10.9)	2
28	452388		SCREW, M8-1.25 X 20MM (G8.8)	1
29	452395		SCREW, M10-1.50 X 80MM (8.8)	1
30	452398		SCREW, M10-1.50 X 20MM (8.8)	2
31	820889		CLAMP, TUBING	4

COOLING SYSTEM

ITEM	PART NO.	1 2 3 4 5	DESCRIPTION	QTY.
32	843857		SENDER, WATER TEMPERATURE.....	1
33	2701639		HOSE, RADIATOR UPPER	1
34	2701108		CLAMP	1
35	4115400		HOSE, RADIATOR LOWER.....	1
36	833715		PLUG	1
37	4116997		HOUSING, THERMOSTAT.....	1
38	4120076		CAP, THERMOSTAT	1
39	2701422		COVER, NEOPRENE	1
40	452392		SCREW, M8-1.25 X 50MM (8.8).....	3
41	2701421		BACKING PLATE, COVER	1
42	2701513		GASKET, THERMOSTAT SPACER	1
43	009034880		DECAL, FAN	1
44	2702540		BOLT, BLEED VALVE.....	1
45	4120079		THERMOSTAT	1
46	2702541		WASHER, BLEED VALVE.....	1
47	841230		CONNECTOR	1

COOLING SYSTEM

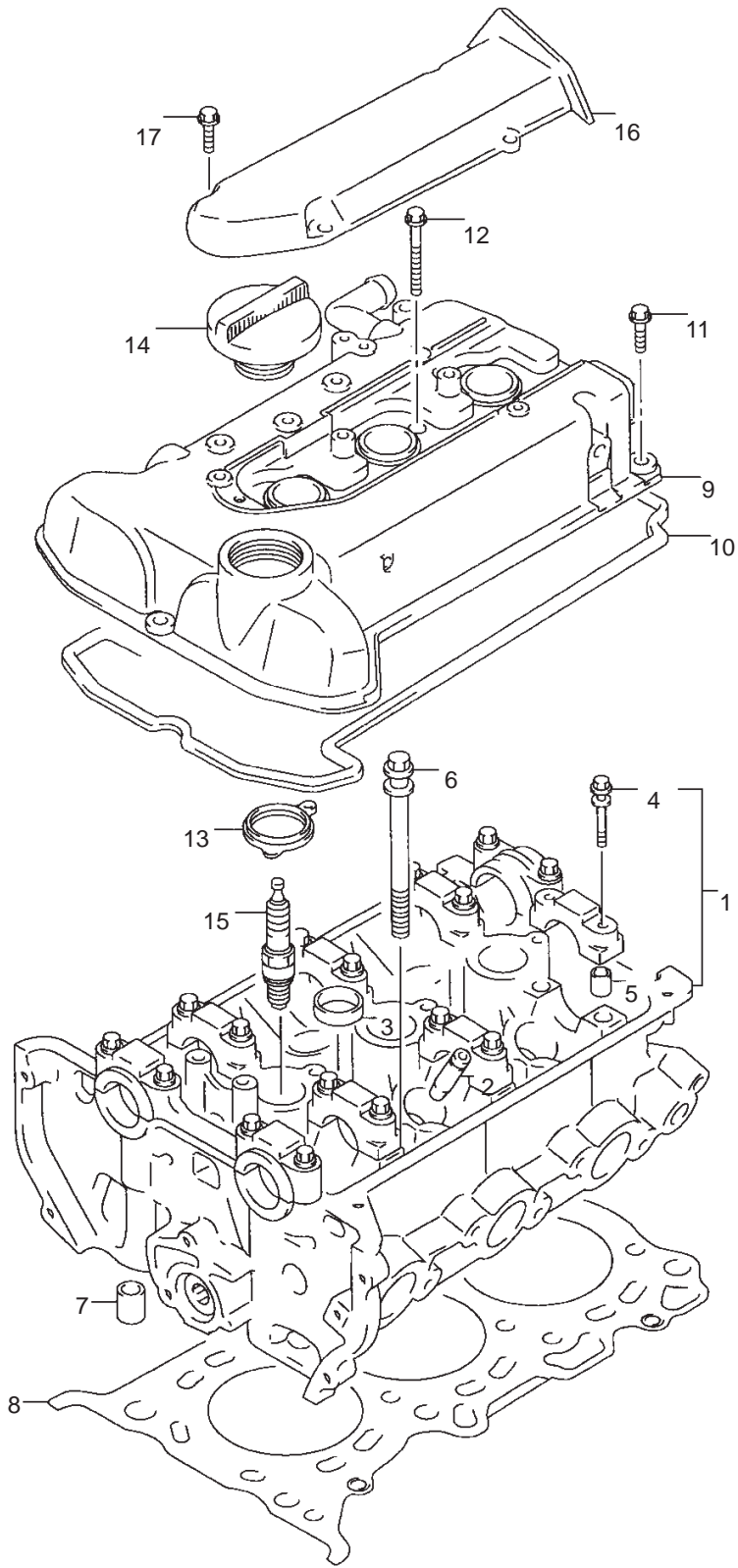
CRANKSHAFT, FLYWHEEL AND PISTONS



CRANKSHAFT, FLYWHEEL AND PISTONS

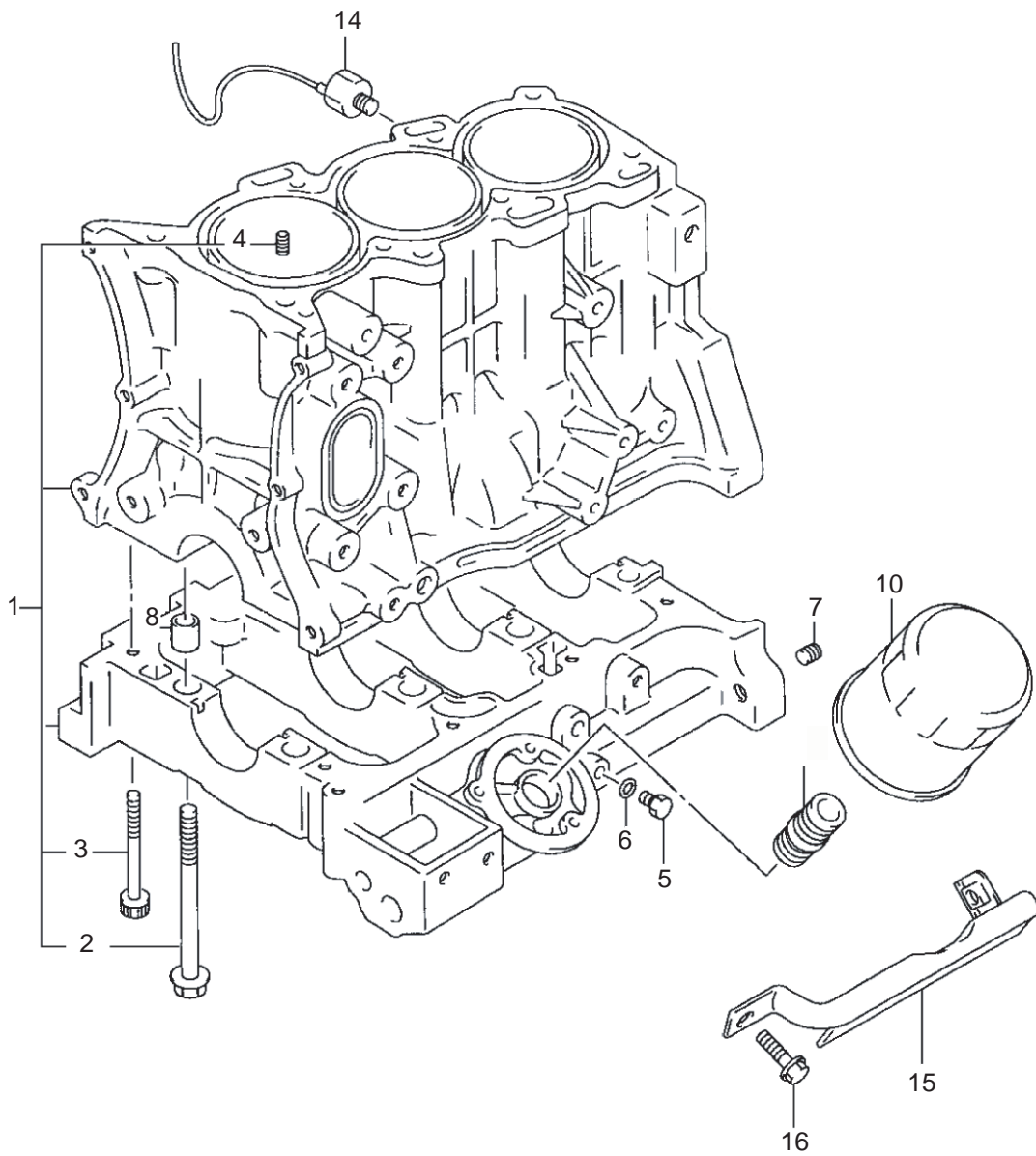
ITEM	PART NO.	1	2	3	4	5	DESCRIPTION	QTY.
1	4119978						RING SET, PISTON (STANDARD)	3
	4119979						RING SET, PISTON (OS:0.50).....	3
2	4119980						PISTON (STANDARD MARK 1).....	3
	4119981						PISTON (STANDARD MARK 2).....	3
	4119982						PISTON (OS:0.50)	3
3	4119983						PIN, PISTON	3
4	4119984						CIRCLIP	6
5	4119985						ROD, CONNECTING	3
6	2701931						NUT	2
7	4119608						BEARING SET, CONNECTING ROD	6
8	4119986						CRANKSHAFT	1
9	4119987						BEARING SET, CRANKSHAFT (GREEN).....	4
	4119988						BEARING SET, CRANKSHAFT (BLACK).....	4
	4119989						BEARING SET, CRANKSHAFT (NON COLOR).....	4
	4119990						BEARING SET, CRANKSHAFT (YELLOW).....	4
	4119991						BEARING SET, CRANKSHAFT (BROWN).....	4
10	2701937						BEARING SET, CRANK THRUST (STANDARD)	1
	2701938						BEARING SET, CRANK THRUST (OS, T:2.563).....	1
11	2701955						SEAL, CRANKSHAFT FRONT OIL	1
12	4120019						SPROCKET, CRANK TIMING.....	1
13	4120020						PULLEY, CRANKSHAFT	1
14	4120021						KEY	1
15	4120022						BOLT	1
16	4120023						SEAL, OIL	1
17								
18								
19								
20	4120027						TENSIONER	1
21	4120028						BOLT	2
22	4120029						PIN	1

CYLINDER HEAD



CYLINDER HEAD

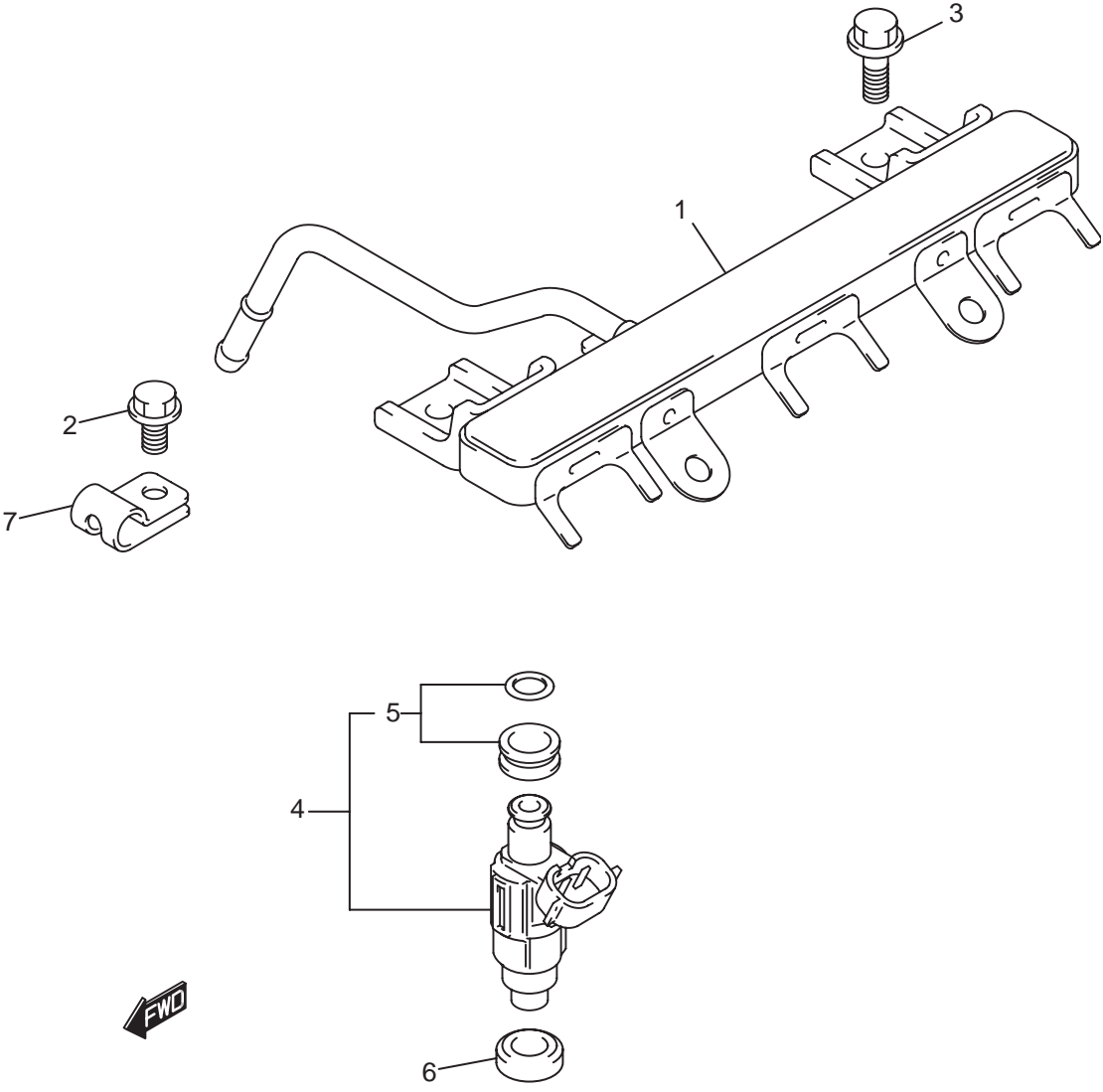
ITEM	PART NO.	1 2 3 4 5	DESCRIPTION	QTY.
1	4119962		HEAD, CYLINDER	1
2	4119963		GUIDE, VALVE	12
3	2701816		PLUG	2
4	4119964		BOLT	17
5	2701821		PIN	14
6	4119956		BOLT, CYLINDER HEAD	8
7	4119966		PIN	2
8	4119957		GASKET, CYLINDER HEAD	1
9	4119968		COVER, CYLINDER HEAD	1
10	4119958		GASKET, HEAD UPPER COVER	1
11	4119970		BOLT	5
12	4119971		BOLT	1
13	4119972		GASKET, SPARK PLUG HOLE	3
14	4119973		CAP, OIL FILLER	1
15	4119606		SPARK PLUG (NGK,3932)	3
16	4117894		COVER, CYLINDER HEAD, UPPER	1
17	4117892		BOLT	4



CYLINDER

ITEM	PART NO.	1 2 3 4 5	DESCRIPTION	QTY.
1	4119974		BLOCK, CYLINDER.....	1
2	4119956		BOLT, CRANKCASE.....	8
3	4120006		BOLT, CRANKCASE NO. 2.....	8
4	4119607		PLUG, OIL VENTURI.....	1
5	4120007		PLUG, OIL GALLERY NO. 2.....	1
6	4120008		GASKET, OIL GALLERY PLUG.....	1
7	4119604		PLUG, OIL GALLERY.....	1
8	2701824		PIN.....	4
9	4120009		STAND, OIL FILTER.....	1
10	2701908		FILTER, OIL.....	1
11				
12				
13				
14	4120010		SENSOR, KNOCK.....	1
15	4117899		GUARD, OIL FILTER.....	1
16	2701827		BOLT.....	2

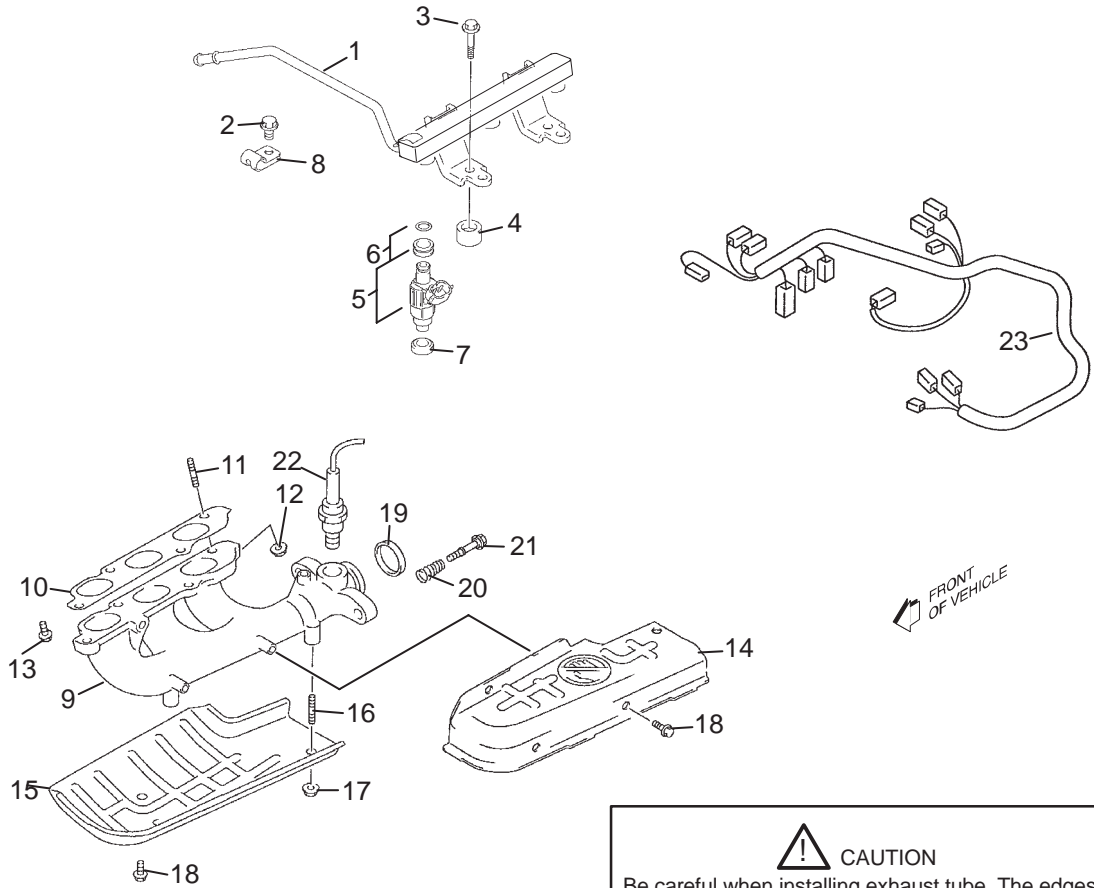
DELIVERY PIPE



DELIVERY PIPE

ITEM	PART NO.	1 2 3 4 5	DESCRIPTION	QTY.
1	4120067		PIPE, DELIVERY	1
2	2702486		BOLT	1
3	2701978		BOLT	2
4	2702511		INJECTOR, FUEL	3
5	2702512		GROMMET SET	3
6	2702513		CUSHION.....	3
7	2702514		CLAMP	1

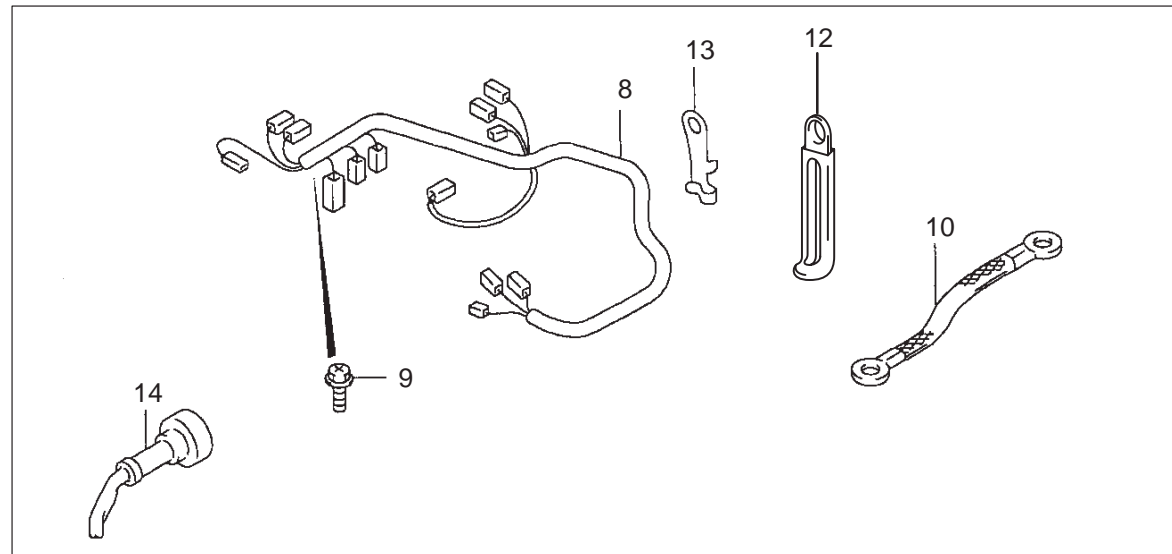
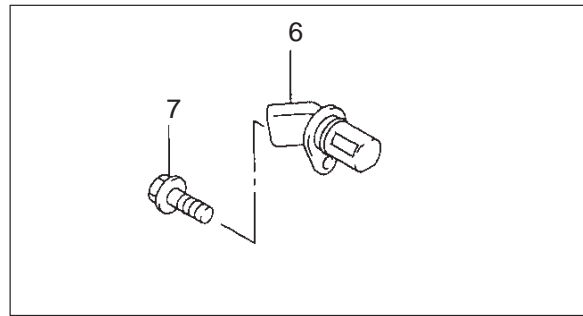
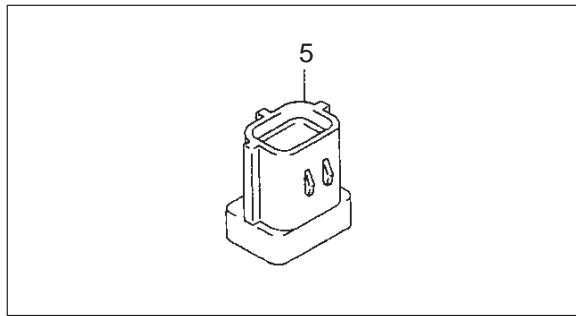
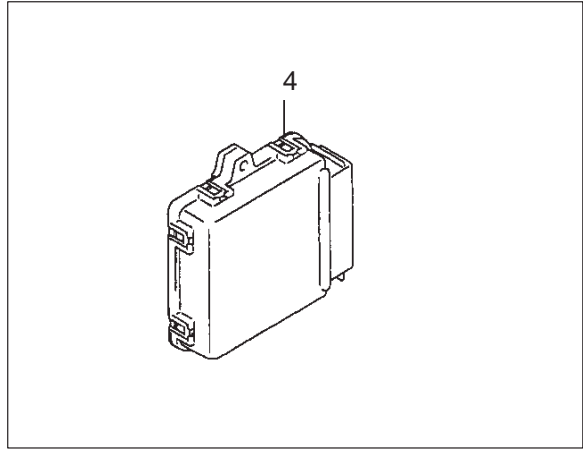
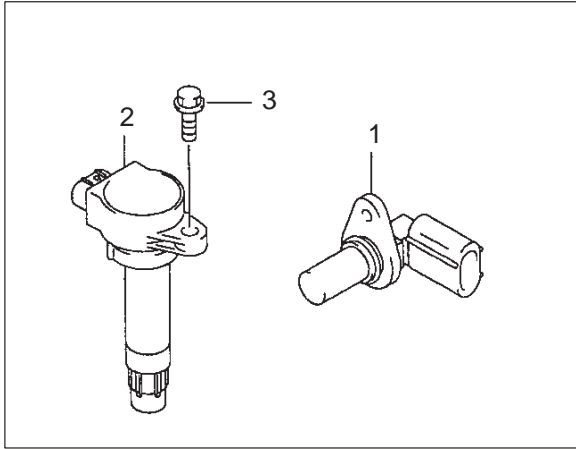
EMISSION CONTROLS, FUEL INJECTORS & SUZUKI ENGINE WIRE HARNESS



 **CAUTION**
Be careful when installing exhaust tube. The edges of the shield are sharp and may cause personal injury.

EMISSION CONTROLS, FUEL INJECTORS & SUZUKI ENGINE WIRE HARNESS

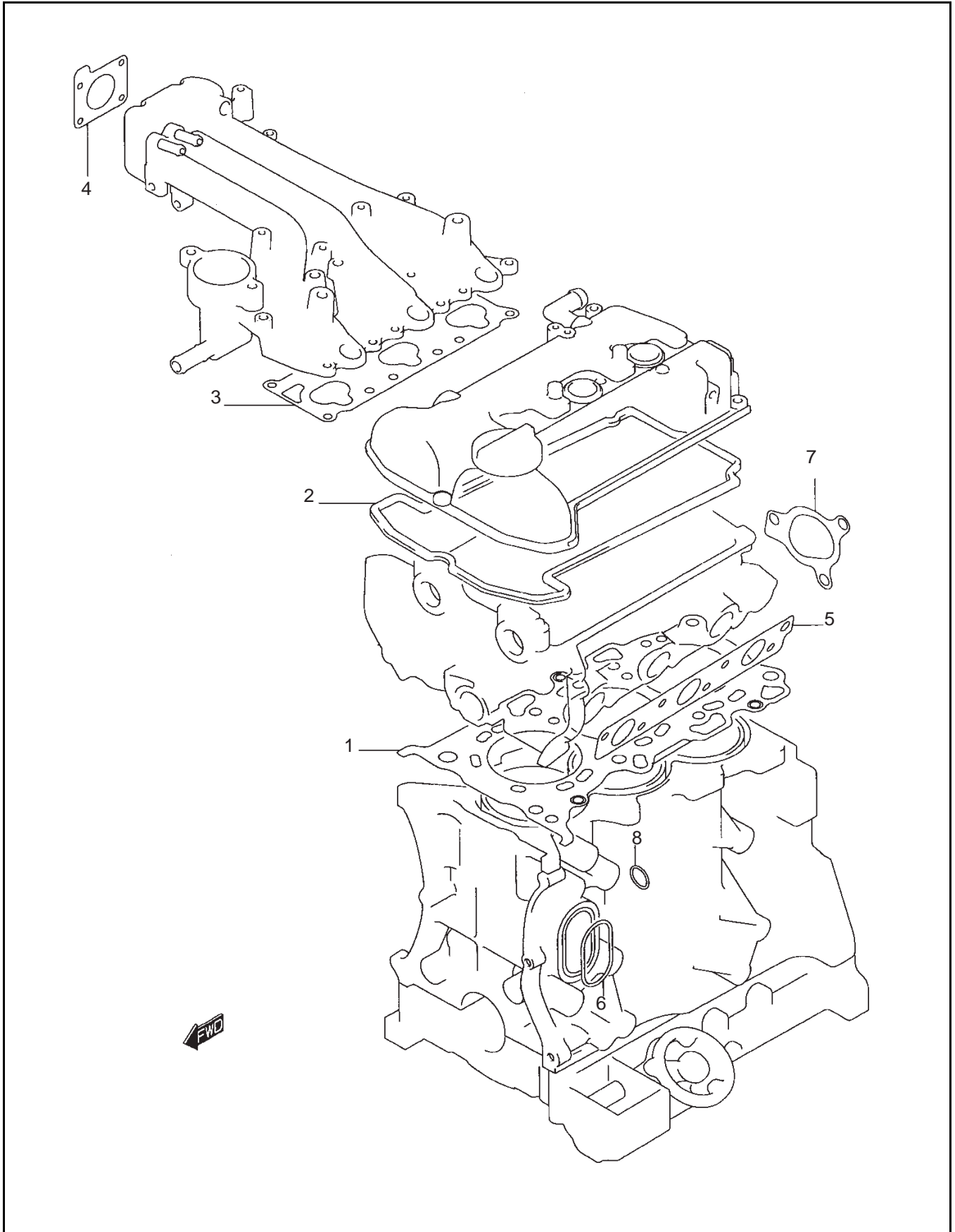
ITEM	PART NO.	1	2	3	4	5	DESCRIPTION	QTY.
1	2702509						PIPE, DELIVERY	1
2	2702486						BOLT	1
3	2701829						BOLT	2
4	2702510						INSULATOR	2
5	2702511						INJECTOR, FUEL	3
6	2702512						GROMMET SET	3
7	2702513						CUSHION.....	3
8	2702514						CLAMP	1
9	2702492						MANIFLOD, EXHAUST.....	1
10	2701797						GASKET.....	1
11	2702493						STUD BOLT	3
12	2702494						NUT	3
13	2702495						BOLT	1
14	2702496						COVER, MANIFOLD UPPER	1
15	2702497						COVER, MANIFOLD LOWER.....	1
16	2701913						STUD BOLT	2
17	2702498						NUT	2
18	2702499						BOLT (6X10)	5
19	2702500						RING, SEAL	1
20	2702501						SPRING	2
21	2702502						BOLT (10X65)	2
22	2702503						SENSOR, OXYGEN.....	1
23	2702947						HARNESS, SUZUKI ENGINE	1



ENGINE ELECTRICAL

ITEM	PART NO.	1 2 3 4 5	DESCRIPTION	QTY.
1	4120113		SENSOR, CAM POSITION.....	1
2	4119619		COIL, IGNITION (DENSO).....	3
	2702916		COIL, IGNITION (MITUBISHI)	3
3	2701834		BOLT	3
4	4114549		CONTROLLER, FUEL INJECTION	1
5	2702918		RESISTOR, IGNITION (MARK 1)	1
	2702919		RESISTOR, IGNITION (MARK 2)	1
	2702920		RESISTOR, IGNITION (MARK 3)	1
	2702921		RESISTOR, IGNITION (MARK 4)	1
	2702922		RESISTOR, IGNITION (MARK 5)	1
	2702923		RESISTOR, IGNITION (MARK N)	1
	2702924		RESISTOR, IGNITION (MARK 6)	1
	2702925		RESISTOR, IGNITION (MARK 7)	1
	2702926		RESISTOR, IGNITION (MARK 8)	1
	2702927		RESISTOR, IGNITION (MARK 9)	1
	2702928		RESISTOR, IGNITION (MARK 10)	1
	2702929		RESISTOR, IGNITION (MARK 11)	1
6	4120114		SENSOR, SPEED.....	1
7	2701978		BOLT	1
8	4117902		HARNESS, ENGINE	1
9	2702486		BOLT, GROUND	1
10	4120115		WIRE, NOISE SUPPRESSOR.....	1
11				
12	4120116		CABLE, BATTERY GROUND NO. 2.....	1
13	4120117		CLAMP, HARNESS.....	1
14	4120118		WIRE, OIL PRESSURE SWITCH.....	1

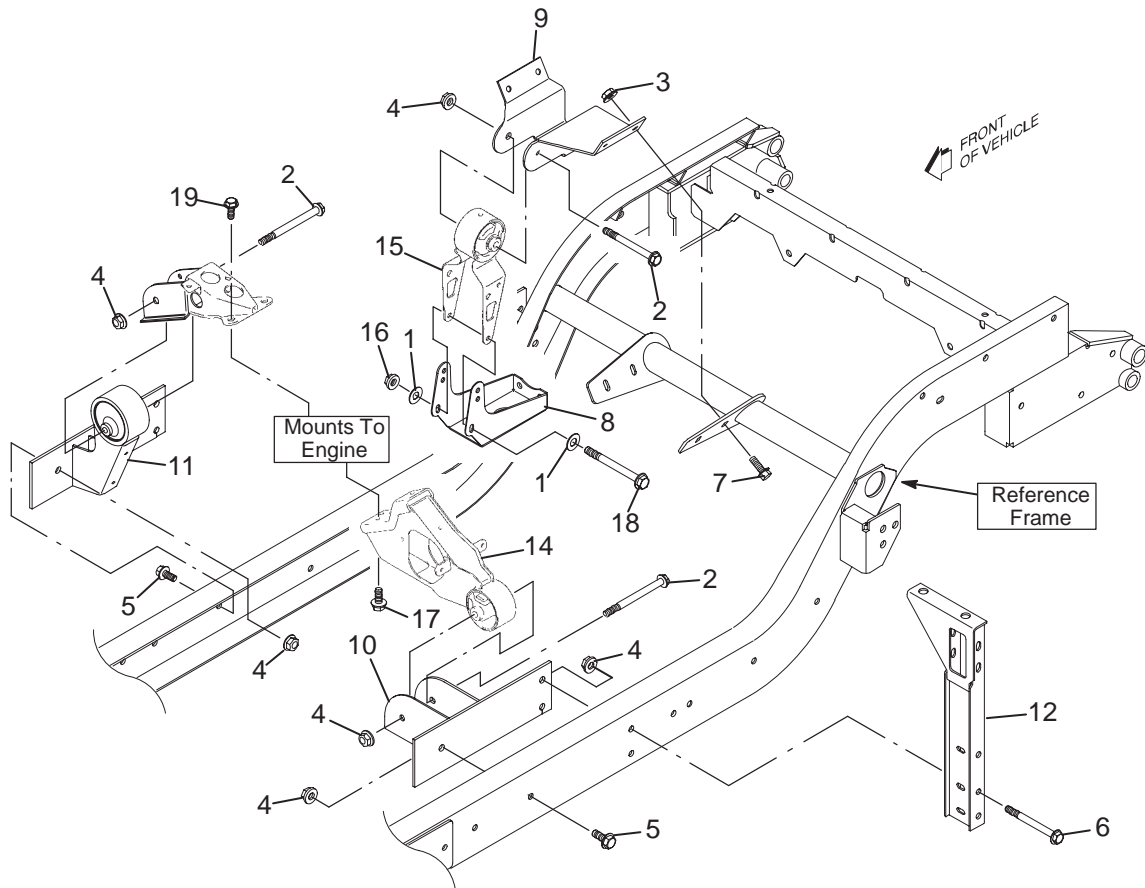
ENGINE GASKETS



ENGINE GASKETS

ITEM	PART NO.	1 2 3 4 5	DESCRIPTION	QTY.
	4119954		GASKET SET, ENGINE	1
1	4119957		GASKET, CYLINDER HEAD	1
2	4119958		GASKET, CYLINDER HEAD COVER.....	1
3	4119959		GASKET, INTAKE MANIFOLD	1
4	2701803		GASKET, THROTTLE BODY	1
5	4119960		GASKET, EXHAUST MANIFOLD	1
6	4119965		O-RING, WATER PUMP	1
7	4119967		GASKET, THERMOSTAT CASE	1
8	4119609		O-RING, WATER INLET PIPE	1

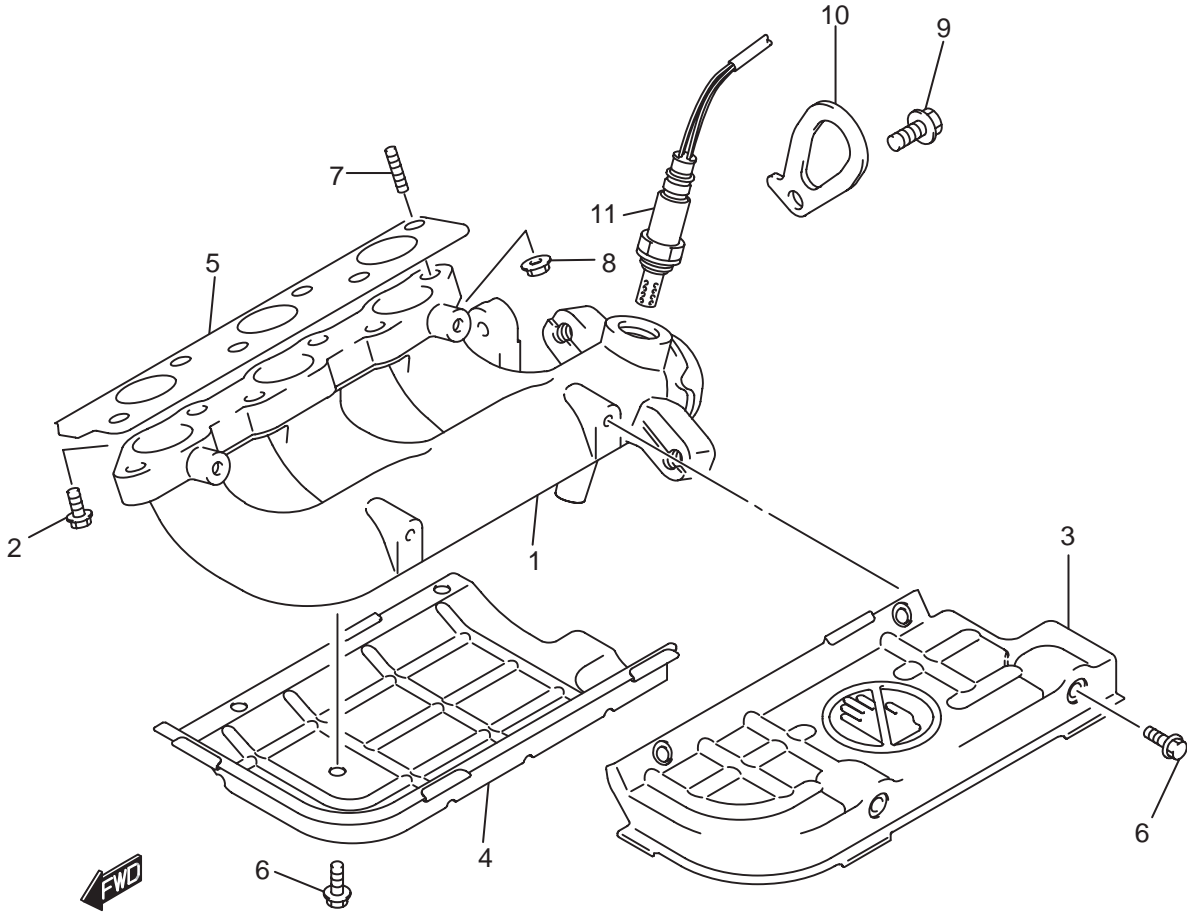
ENGINE AND TRANSMISSION MOUNTS



ENGINE AND TRANSMISSION MOUNTS

ITEM	PART NO.	1	2	3	4	5	DESCRIPTION	QTY.
1	103867						WASHER, 5/16"	2
2	452405						SCREW, M10-1.50 X 80MM (G8.8)	3
3	450453						NUT, M8-1.25 (G10.9).....	4
4	452454						NUT, M10-1.50 (10.9).....	9
5	452398						SCREW, M10-1.50 X 20MM (8.8)	2
6	452406						SCREW, M10-1.50 X 90MM (8.8)	4
7	452389						SCREW, M8-1.25 X 25MM (8.8)	4
8	839946						BRACKET, MUFFLER.....	1
9	845206.7						BRACKET, TRANSMISSION TO FRAME.....	1
10	894998.7						MOUNT, MOTOR (LEFT).....	1
11	2701698						MOUNT,MOTOR (RIGHT)	1
12	893525						SUPPORT, PLATFORM	2
13	2702997						MOUNT, ENGINE (RIGHT)	1
14	2703000						MOUNT, ENGINE (LEFT)	1
15	2703001						MOUNT, REAR	1
16	2703002						NUT	2
17	2701827						BOLT	4
18	2702661						BOLT	2

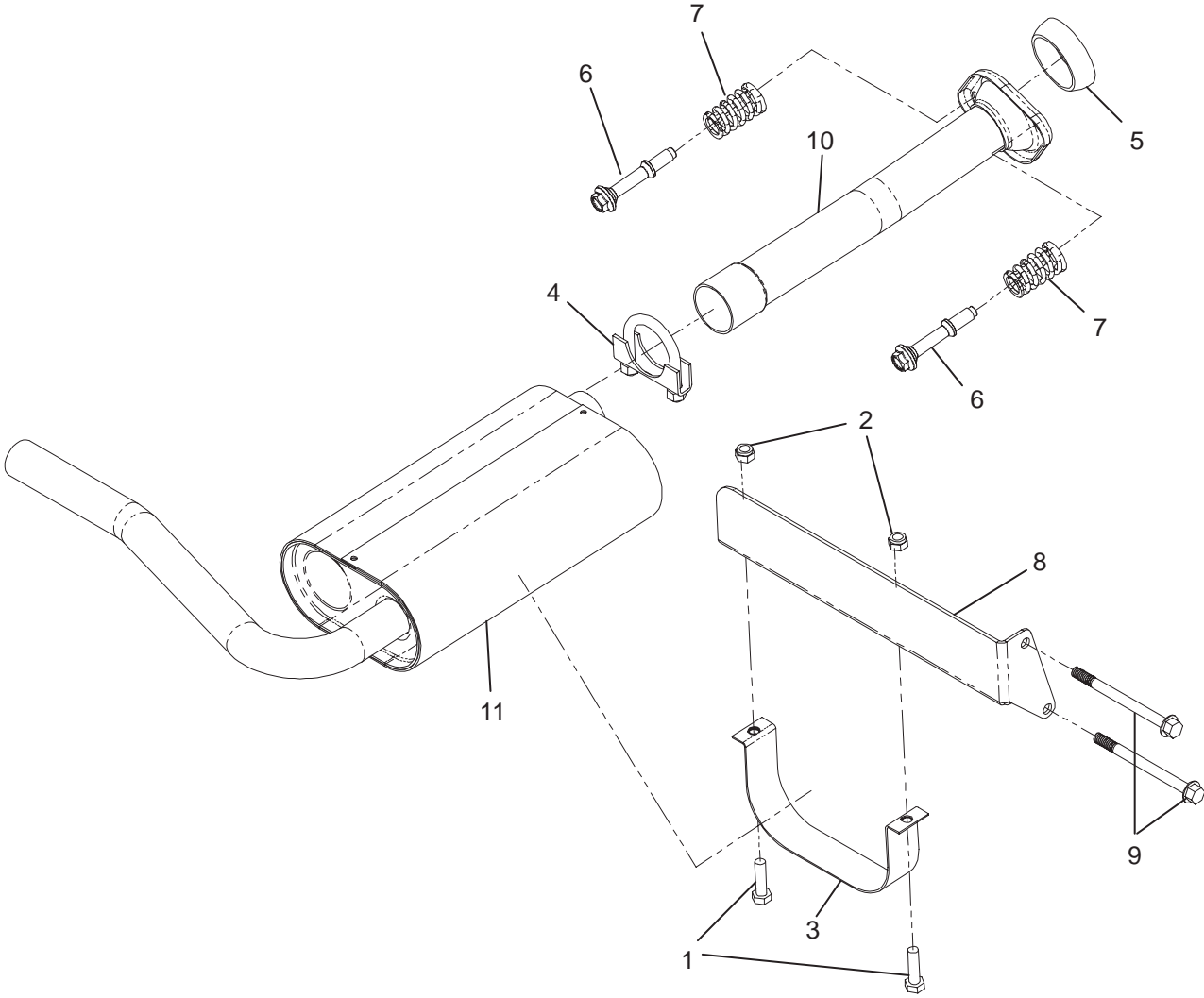
EXHAUST MANIFOLD



EXHAUST MANIFOLD

ITEM	PART NO.	1 2 3 4 5	DESCRIPTION	QTY.
1	4120058		MANIFOLD, EXHAUST.....	1
2	4120059		BOLT.....	2
3	4120060		COVER, EXHAUST MANIFOLD, UPPER.....	1
4	4120061		COVER, EXHAUST MANIFOLD, LOWER.....	1
5	4129960		GASKET.....	1
6	2702499		BOLT, 6 X 12.....	8
7	4120063		STUD BOLT.....	4
8	4120064		NUT.....	4
9	2702475		BOLT.....	1
10	2702759		HOOK, ENGINE.....	1
11	4120065		SENSOR, OXYGEN.....	2

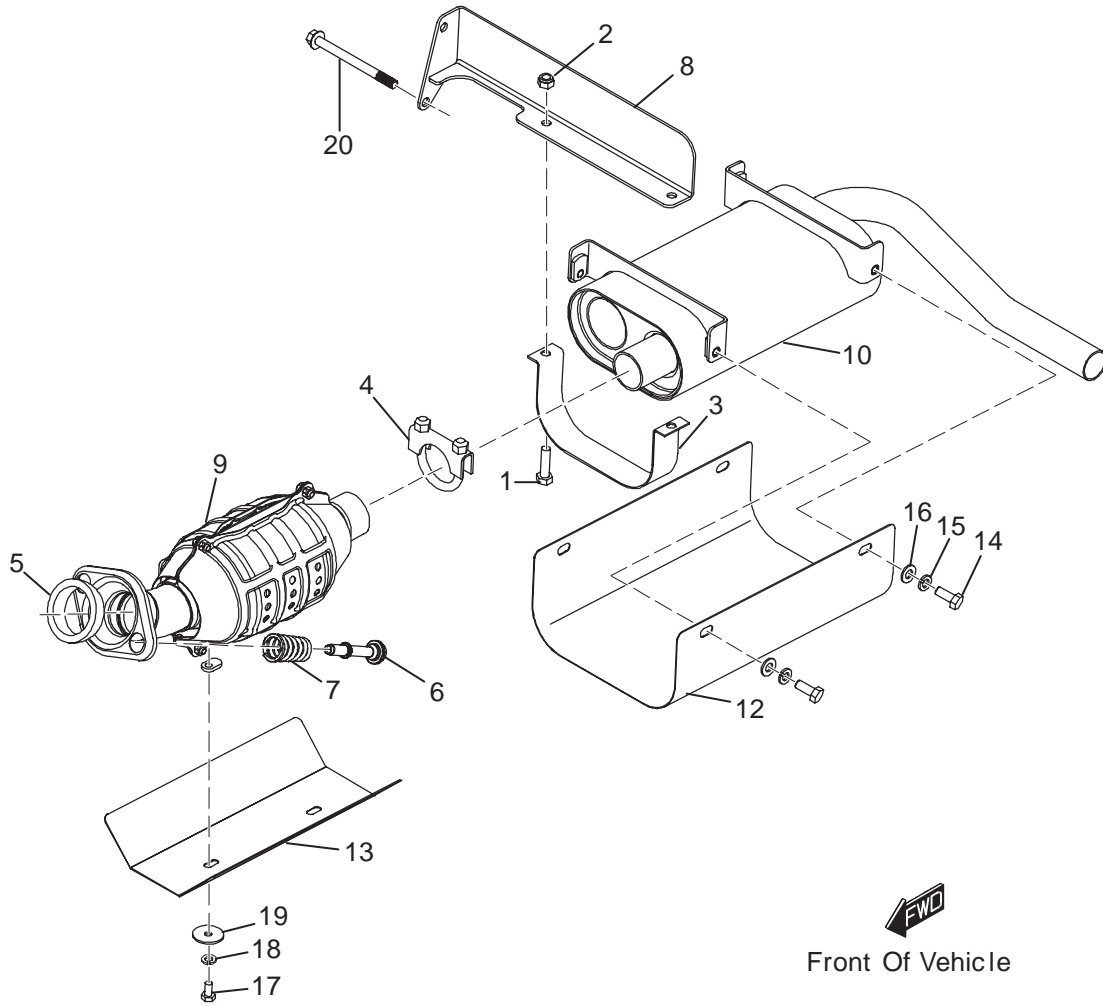
EXHAUST SYSTEM



EXHAUST SYSTEM

ITEM	PART NO.	1 2 3 4 5	DESCRIPTION	QTY.
1	450193		SCREW, M8-1.25 X 30MM, G8.8.....	2
2	450378		NUT, M8-1.25, NYLOCK	2
3	838295.8		STRAP, MUFFLER HANGER	1
4	841982		CLAMP, EXHAUST TUBE.....	1
5	2700143		SEAL RING, MUFFLER FLANGE	1
6	2700144		BOLT, MUFFLER FLANGE	2
7	2700145		SPRING, MUFFLER FLANGE	2
8	4114221.8		BRACKET, MUFFLER.....	1
9	2702048		SCREW, M8-1.25 X 100MM	2
10	4115569.8		TUBE, MUFFLER INLET	1
11	4116284.8		MUFFLER	1

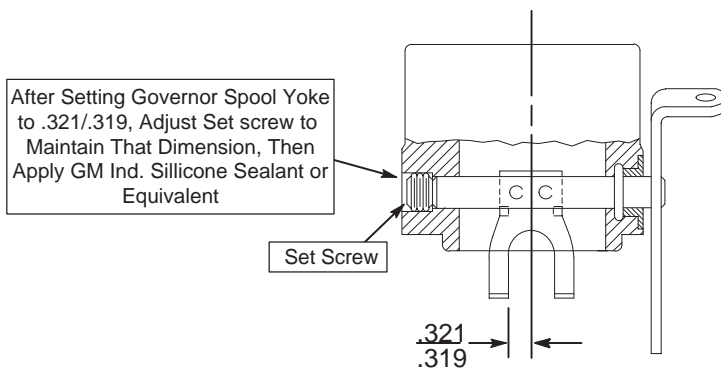
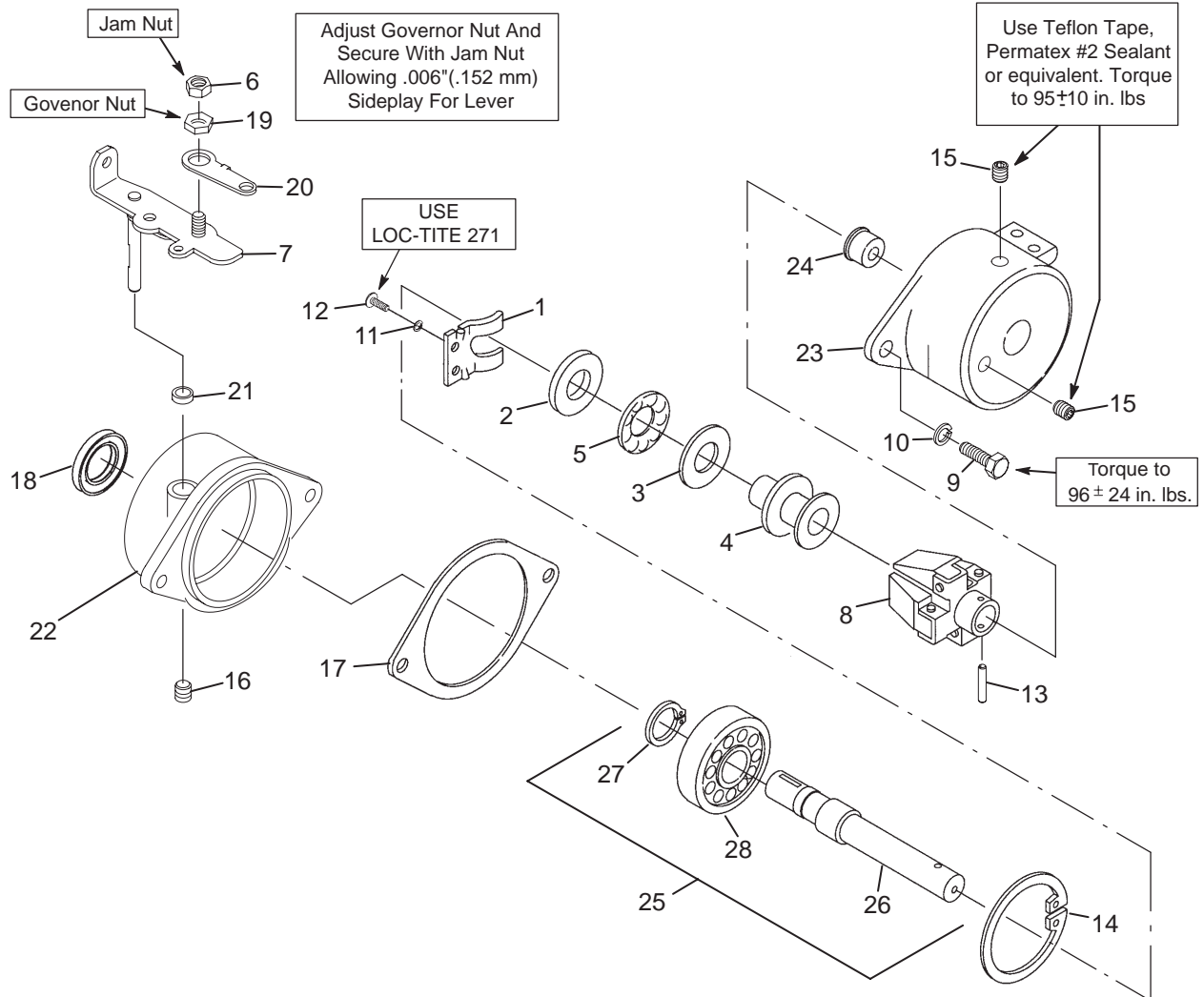
EXHAUST SYSTEM (CALIFORNIA CATALYTIC CONVERTER)



EXHAUST SYSTEM (CALIFORNIA CATALYTIC CONVERTER)

ITEM	PART NO.	1	2	3	4	5	DESCRIPTION	QTY.
	36076-G01						INSTN, CALIFORNIA EXHAUST 660K6	
1	450193						SCREW-HEX M8 X 30MM.....	2
2	450378						NUT-HEX-NYLOC M8.....	2
3	838295.8						STRAP, MUFFLER HANGER	1
4	841982						CLAMP, EXHAUST TUBE.....	1
5	2700143-P01						RING, MUFFLER FLANGE, 5660 RPR SEAL	1
6	2700144-P01						BOLT, MUFFLER FLANGE, 5660 REPWR.....	2
7	2700145-P01						SPRING, MUFFLER FLANGE, 5660 REPWR	2
8	4114221.8						BRACKET, MUFFLER.....	1
9	36072-G01						CONVERTER ASSY, CATALYTIC.....	1
10	4116284.8						MUFFLER ASSY.....	1
11	36085-G01						DECAL, CARB SUZUKI K6.....	1
12	4121517.8						SHIELD, MUFFLER	1
13	4121525.8						SHIELD, CATALYTIC CONVERTER.....	1
14	306450						SCREW-HCH 5/16-18 X .75MM	4
15	306325						WASHER-LK .319 X .591 X .078	4
16	103867						WASHER-FLAT .31 X .69 X .06	4
17	306419						SCREW-HCH 1/4-20 X .50MM	2
18	306396						WASHER-LK .255 X .493 X .062	2
19	815680						WASHER-FLAT .266 X 1.12 X .07	2
20	2702048-P01						SCREW, M8-1.25 X 100MM YS HF	2

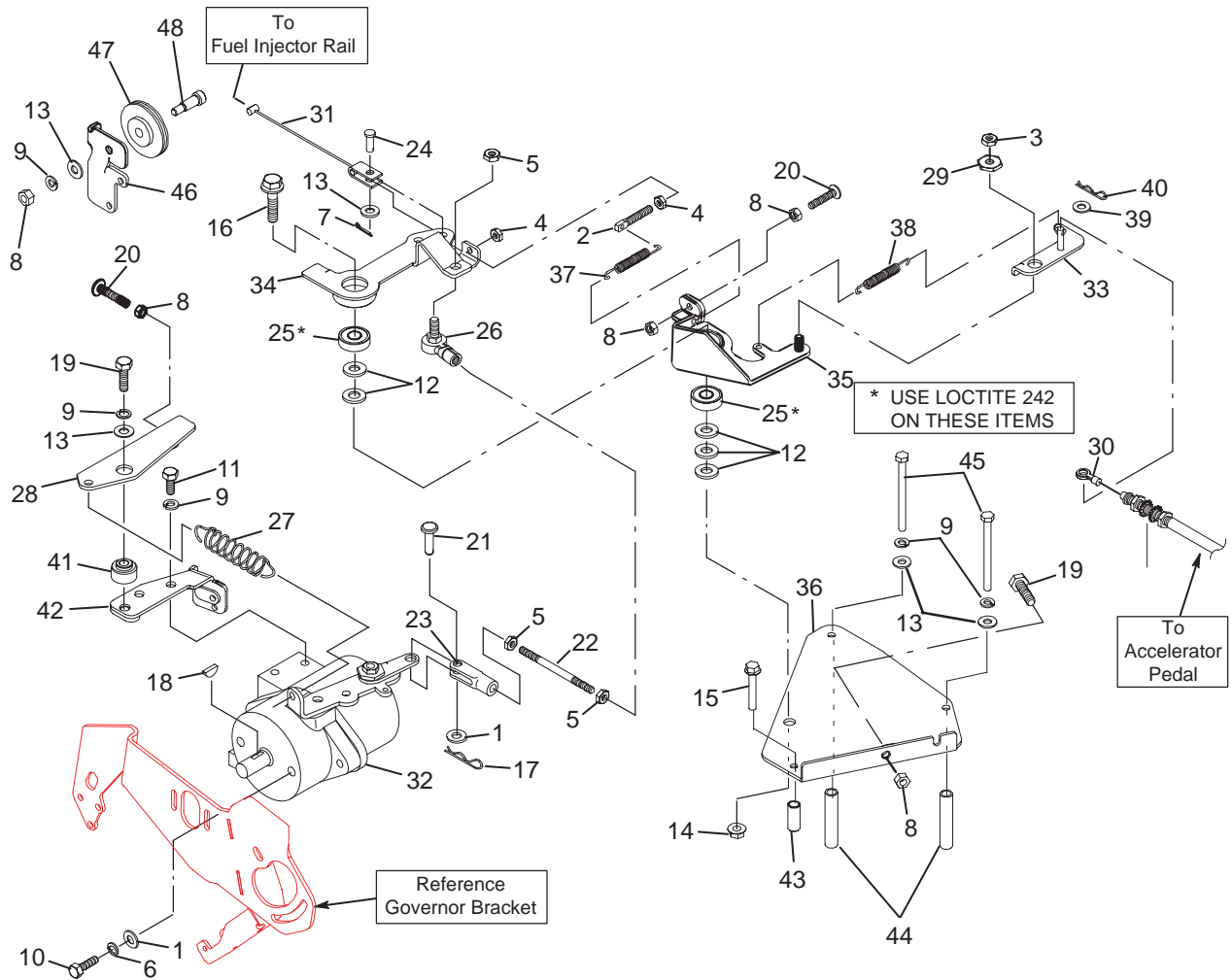
GOVERNOR



GOVERNOR

ITEM	PART NO.	1 2 3 4 5	DESCRIPTION	QTY.
	2700810		GOVERNOR, COMPLETE	1
1	111812		YOKE, SPOOL	1
2	111814		WASHER, THRUST	1
3	111816		WASHER, THRUST	1
4	111817		SPOOL, GOVERNOR	1
5	112840		BEARING, THRUST	1
6	130728		NUT, JAM, 1/4-20	1
7	158061-18		O-RING	1
8	160410		CARRIER & WEIGHTS	1
9	302288		SCREW, 1/4-20 X 1MM	2
10	306396		LOCKWASHER, 1/4"	2
11	306506		LOCKWASHER, #6	2
12	306915		SCREW, MACHINE, #6-32 X 5/16"	2
13	306966		PIN, ROLL, 1/8" X 3/4"	1
14	548325		RING, RETAINING	1
15	800227		PLUG, 1/8-27	2
16	800558		SCREW, SET, 3/8-16 X 5/16"	1
17	833056		GASKET, GOVERNOR	1
18	833102		SEAL, OIL	1
19	835271		NUT, GOVERNOR ARM	1
20	843537		BRACKET, GOVERNOR KNEE	1
21	843149		BUSHING, STEEL	1
22	843157		HEAD, GOVERNOR	1
23	894471		RESERVOIR, GOVERNOR	1
24	833103		BEARING, NEEDLE	1
25	888397		SHAFT, GOVERNOR, COMPLETE	1
26	833066		SHAFT, GOVERNOR	1
27	833104		RING, RETAINING	1
28	833345		BEARING, BALL	1
29	2700525		LEVER, GOVERNOR CONTROL	1

GOVERNOR AND THROTTLE LINKAGE



GOVERNOR AND THROTTLE LINKAGE

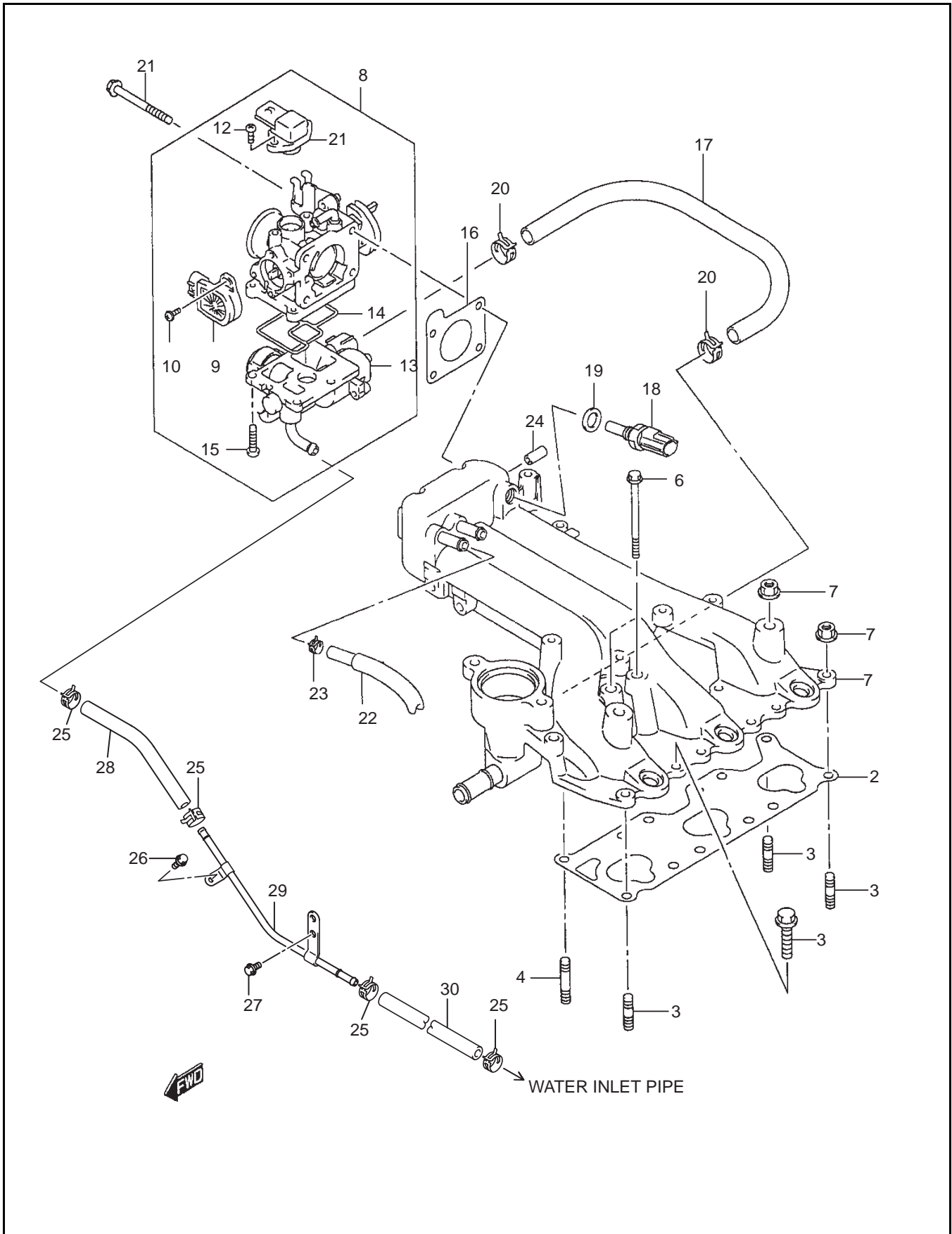
ITEM	PART NO.	1	2	3	4	5	DESCRIPTION	QTY.
1	103867						WASHER, 3/8"	2
2	111893						SCREW, SPECIAL #10-32MM.....	2
3	130728						NUT, 1/4-20	1
4	132520						NUT, JAM #10-32.....	4
5	306320						NUT, 5/16-24	3
6	306325						LOCKWASHER, 5/16"	2
7	306372						PIN, COTTER 3/32" X 1/2"	1
8	306375						NUT, 1/4-20	5
9	306396						LOCKWASHER, 1/4"	6
10	306450						SCREW, 5/16-18 X 3/4"	2
11	306487						SCREW, 1/4-20 X 5/8"	2
12	306981						WASHER, 3/8"	5
13	308090						WASHER, 1/4"	5
14	450454						NUT, M10-1.50 (G10.9).....	1
15	452381						SCREW, M6-1.0 X 40MM (8.8)	2
16	452401						SCREW, M10-1.50 X 40MM (8.8)	1
17	548190						PIN, HAIR 11/16" X 1 7/8"	1
18	553046						KEY, WOODRUFF 1/4" X 1/2"	1
19	302288						SCREW, 1/4-20 X 1"	2
20	800024						SCREW, 1/4-20 X 1 1/2"	2
21	806773						PIN, CLEVIS 5/16" X 1 1/8"	1
22	4117352						ROD, GOVERNOR ARM	1
23	810722						YOKE	1
24	813379						PIN, CLEVIS 1/4" X 3/8"	1
25	830140						BEARING, BALL.....	2
26	831586						BALL JOINT	1
27	833101						SPRING, EXTENSION	1
28	894434						ARM ASSEMBLY, GOVERNOR.....	1
29	835271						NUT	1
30	895119						CABLE, THROTTLE	1
31	4116159						CABLE, THROTTLE BODY	1

GOVERNOR AND THROTTLE LINKAGE

ITEM	PART NO.	1	2	3	4	5	DESCRIPTION	QTY.
32	4115000						GOVERNOR, COMPLETE	1
33	2701129						ARM, THROTTLE	1
34	2700859						ARM, GOVERNOR	1
35	2700540						LEVER, GOVERNOR	1
36	4115258						PLATE, THROTTLE	1
37	2700334						SPRING, EXTENSION	1
38	2700335						SPRING, GOVERNOR	1
39	450399						WASHER, M6.....	1
40	821164						PIN, HAIR (1/4" X 1 1/8")	1
41	843866						BUSHING, GOVERNOR	1
42	894435						BRACKET, GOVERNOR.....	1
43	2700522						BUSHING, STANDOFF, 1" (25 MM).....	1
44	4119526						SPACER, 2" (50 MM)	2
45	450010						BOLT, M6 X 75 MM	2
46	2701510						BRACKET, THROTTLE CABLE PULLEY	1
47	843013						PULLEY, GOVERNOR	1
48	800927						SCREW, 1/4-20 X 5/8", SHOULDER	1

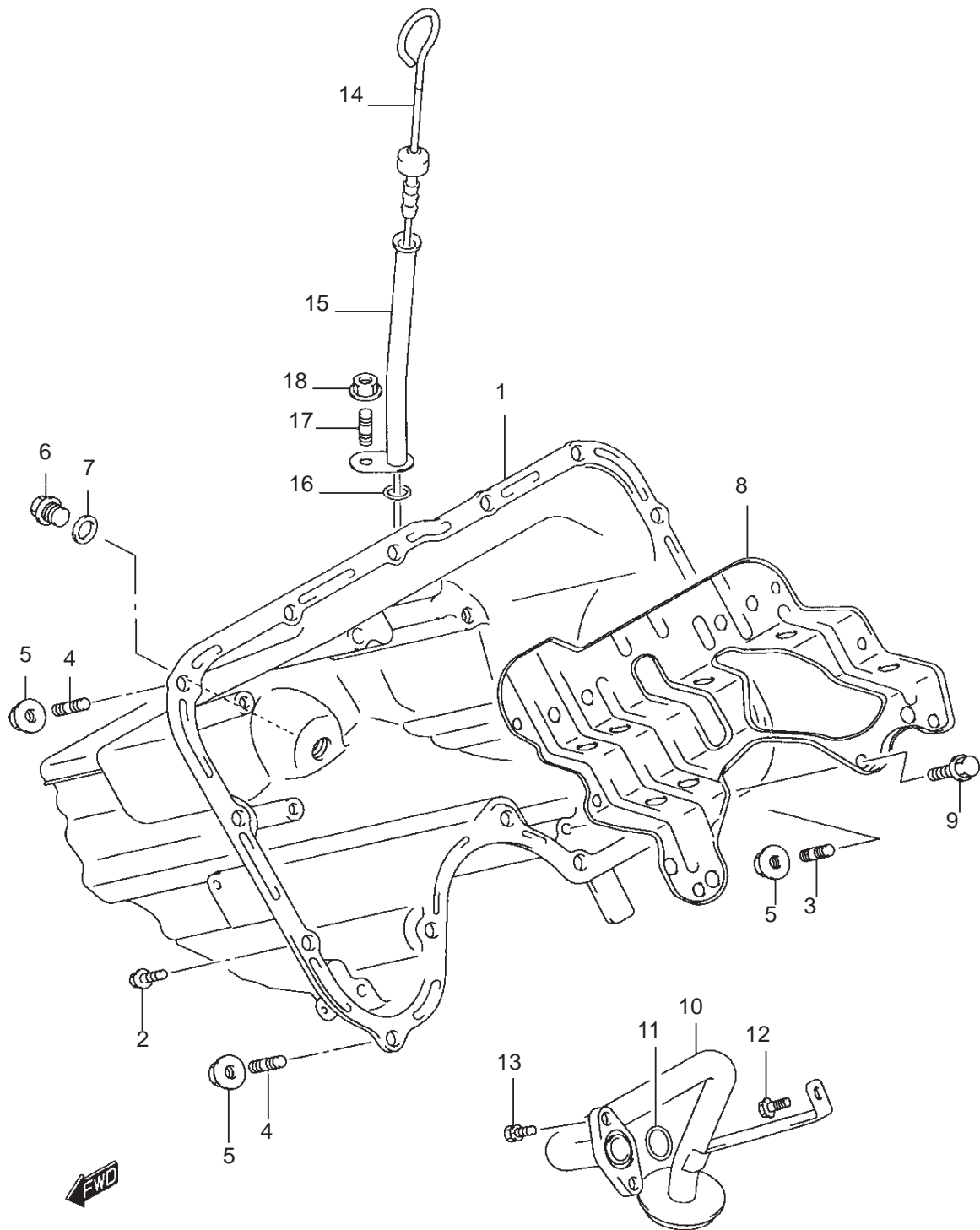
GOVERNOR AND THROTTLE LINKAGE

INTAKE MANIFOLD



INTAKE MANIFOLD

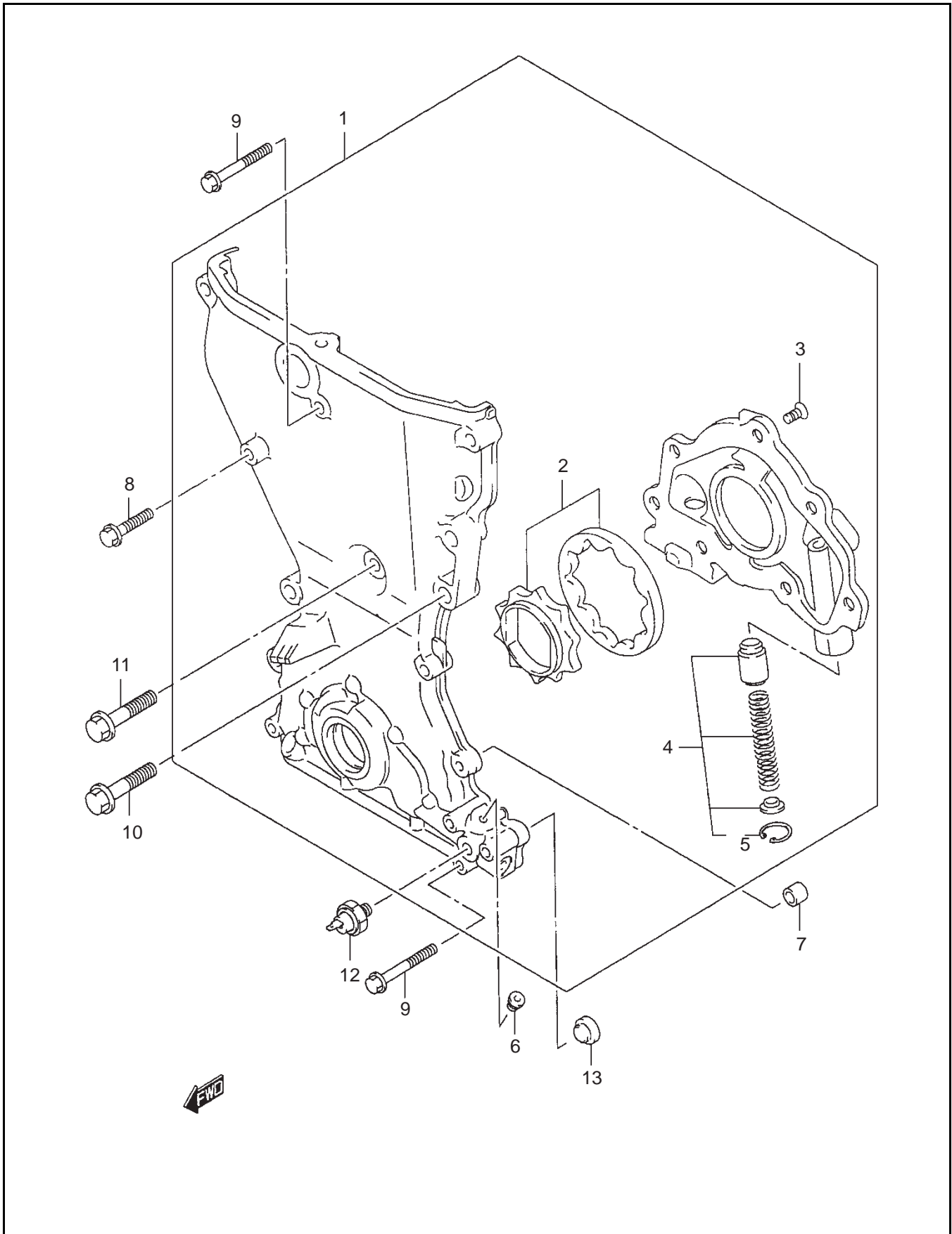
ITEM	PART NO.	1 2 3 4 5	DESCRIPTION	QTY.
1	4120045		MANIFOLD, INTAKE	1
2	4119959		GASKET.....	1
3	2702523		STUD BOLT	3
4	4120047		STUD BOLT	1
5	2701834		BOLT	6
6	4120048		BOLT	2
7	2701914		NUT.....	4
8	4120049		BODY, THROTTLE	1
9	2701995		SENSOR, THROTTLE POSITION	1
10	2701996		SCREW	2
11	2702477		SENSOR, PRESSURE.....	1
12	2701998		SCREW	6
13	2701999		VALVE, ISC.....	1
14	2702000		GASKET	1
15	2701998		SCREW	4
16	2701803		GASKET.....	1
17	4120050		HOSE, WATER THROTTLE INLET	1
18	4120051		SENSOR, INLET AIR TEMPERATURE	1
19	4120052		GASKET.....	1
20	2702429		CLIP	2
21	2702001		BOLT, THROTTLE BODY	4
22	4120053		HOSE, BRAKE VACUUM	1
23	2702433		CLAMP.....	2
24	2702431		PLUG	1
25	2702429		CLAMP.....	6
26	2702475		BOLT	1
27	2702486		BOLT	1
28	13492-65H00		HOSE, WATER	1
29	4120025		PIPE, WATER	1
30	4120100		HOSE, WATER	1



OIL PAN

ITEM	PART NO.	1 2 3 4 5	DESCRIPTION	QTY.
1	4120011		PAN, OIL	1
2	4120012		BOLT (6 X 16)	12
3	4120013		STUD BOLT	1
4	4120014		STUD BOLT	2
5	2701914		NUT	3
6	2701915		PLUG, DRAIN.....	1
7	2701916		GASKET, DRAIN PLUG	1
8	4117897		PLATE, OIL PAN BAFFLE.....	1
9	2702486		BOLT	11
10	4119975		STRAINER, OIL PUMP	1
11	2701920		O-RING	1
12	2701903		BOLT	1
13	2701921		BOLT	2
14	4119976		GAUGE, OIL LEVEL	1
15	4119977		GUIDE, GAUGE.....	1
16	4119605		O-RING	1
17	4120015		STUD BOLT	1
18	2701914		NUT	1

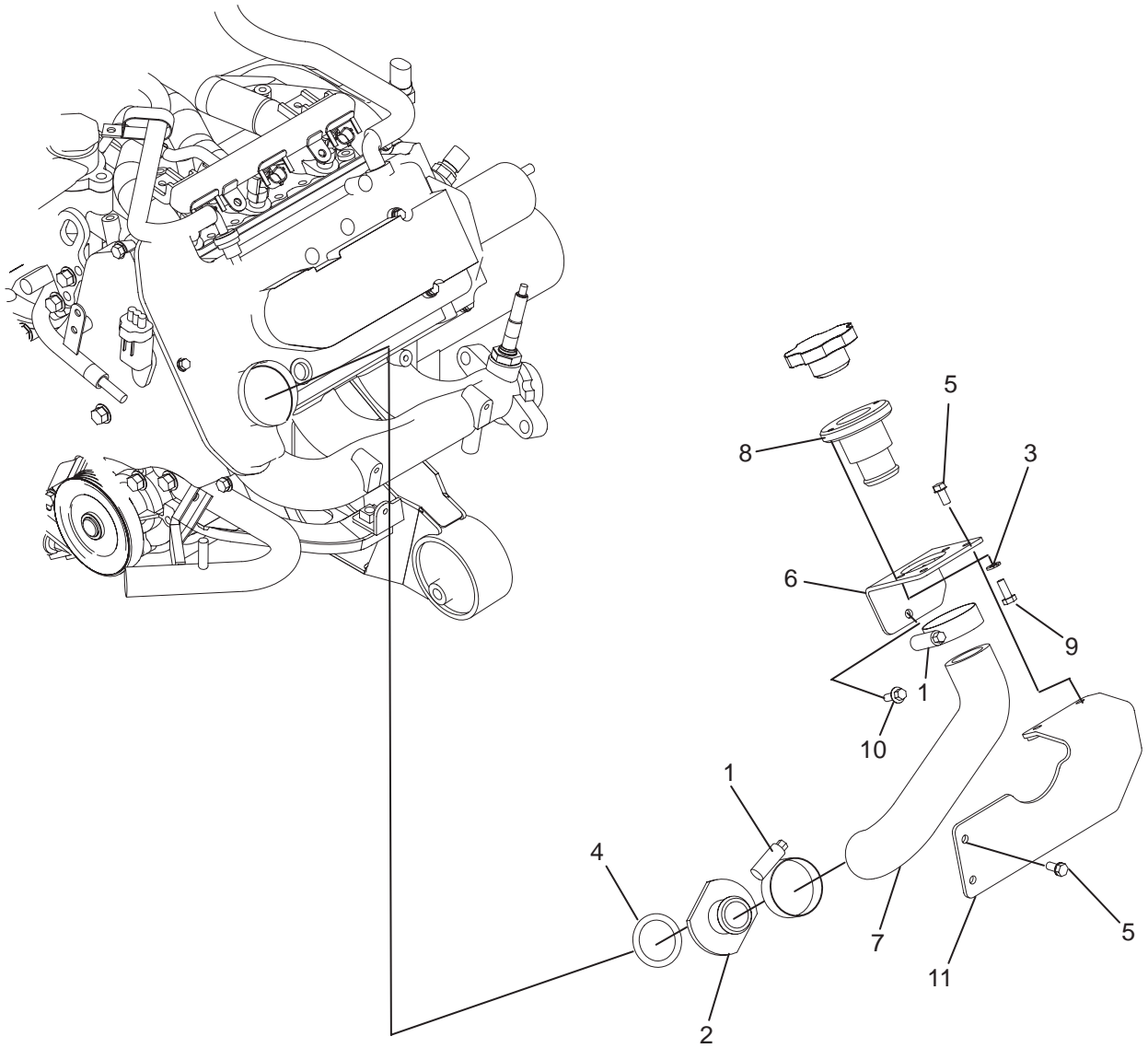
OIL PUMP



OIL PUMP

ITEM	PART NO.	1 2 3 4 5	DESCRIPTION	QTY.
1	4120068		PUMP, OIL	1
2	4120069		ROTOR SET.....	1
3	2702517		SCREW	7
4	4120070		VALVE SET.....	1
5	4120071		CIRCLIP	1
6	2701820		PLUG	1
7	2701949		PIN	2
8	2702519		BOLT	6
9	2702001		BOLT	4
10	2702659		BOLT	5
11	4120072		BOLT, 8 X 40	1
12	2701904		SWITCH, OIL PRESSURE	1
13	4120073		COLLAR, OIL GALLERY	1

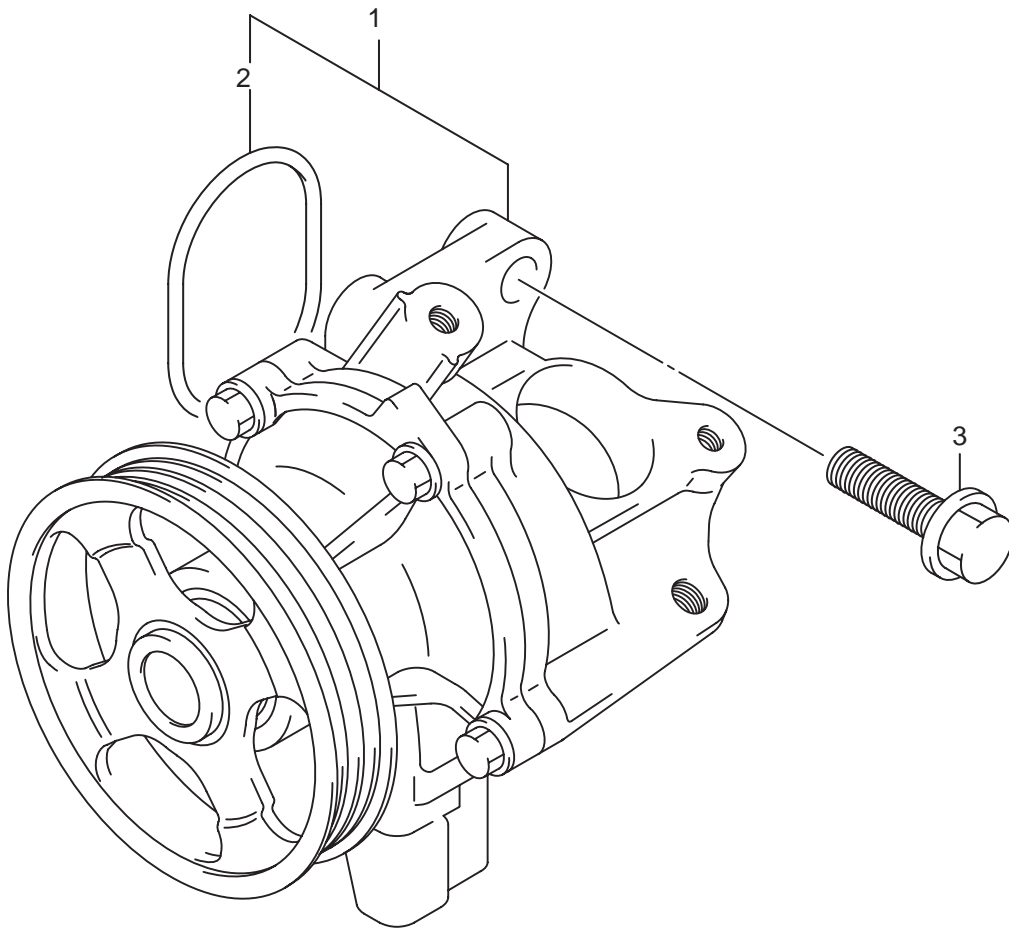
REMOTE OIL FILL



REMOTE OIL FILL

ITEM	PART NO.	1 2 3 4 5	DESCRIPTION	QTY.
1	836206		CLAMP, WORM DRIVE	2
2	843399		ADAPTER, VALVE COVER	1
3	306396		LOCKWASHER, 1/4"	2
4	843420		O-RING	1
5	548827		SCREW, 1/4-20 X 1/2"	4
6	4116163.7		BRACKET, REMOTE OIL FILL CAP.....	1
7	2701636		HOSE, OIL FILL	1
8	2701640		ADAPTER, OIL CAP	1
9	800425		SCREW, M6-1.00 X 12MM	2
10	800934		SCREW, M6-1.00 X 16MM	3
11	4116164.7		BRACE, GOVERNOR BRACKET	1

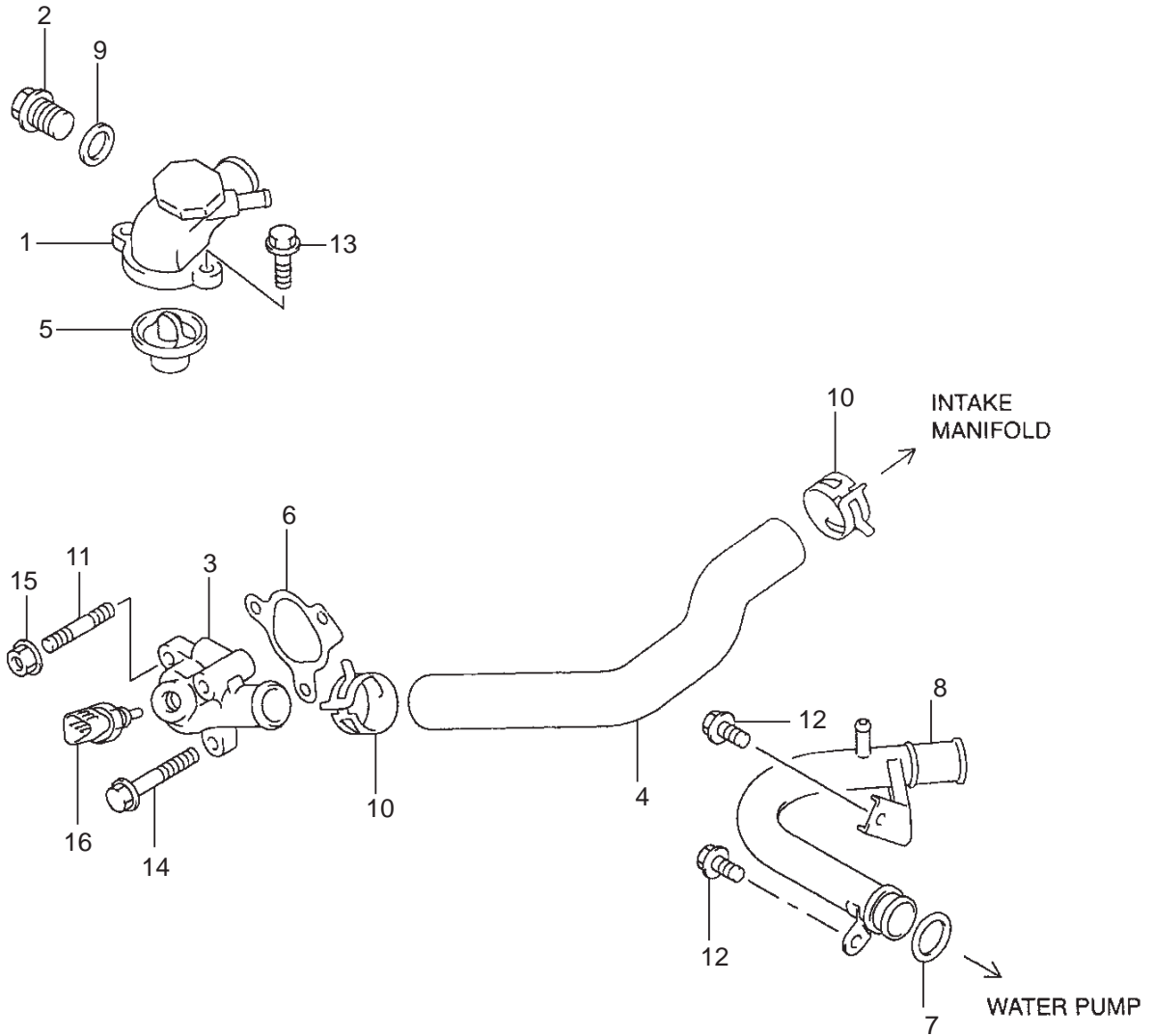
WATER PUMP



WATER PUMP

ITEM	PART NO.	1	2	3	4	5	DESCRIPTION	QTY.
1	4120074						PUMP, WATER.....	1
2	4119965						O-RING.....	1
3	2702470						BOLT	4

WATER HOSE



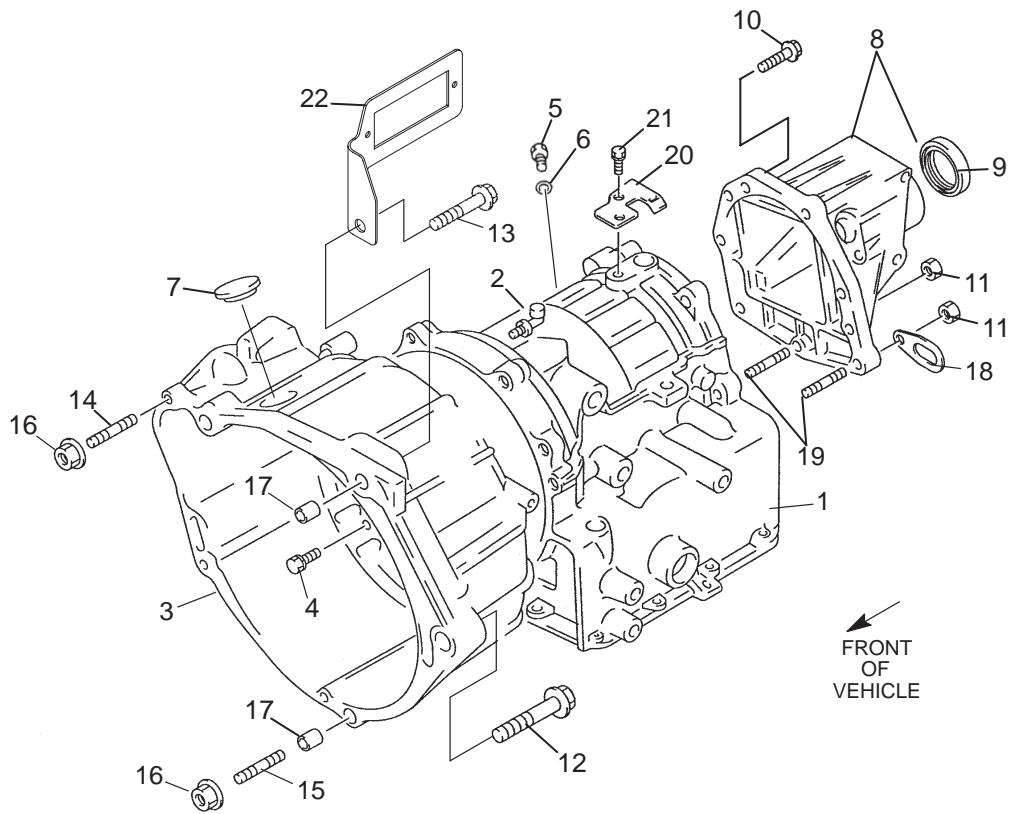
WATER HOSE

ITEM	PART NO.	1 2 3 4 5	DESCRIPTION	QTY.
1	4120076		CAP, WATER THERMOSTAT	1
2	2702540		UNION, AIR VENT	1
3	4120077		CAP, WATER OUTLET	1
4	4120078		HOSE, WATER ENGINE OUTLET	1
5	4120079		THERMOSTAT, WATER.....	1
6	4119967		GASKET, THERMO CASE.....	1
7	4119609		O-RING, WATER INLET PIPE.....	1
8	4120081		PIPE, WATER INLET	1
9	2702541		GASKET, AIR VENT UNION.....	1
10	4120082		CLIP, WATER HOSE	2
11	4120083		STUD BOLT, OUTLET CAP	2
12	2702486		BOLT, WATER INLET PIPE	2
13	2702469		BOLT, THERMOSTAT CAP	2
14	4120084		BOLT, WATER OUTLET CAP	1
15	2703002		NUT, WATER OUTLET CAP	2
16	2702481		SENSOR, WATER TEMPERATURE.....	1

TRANSMISSION

TRANSMISSION

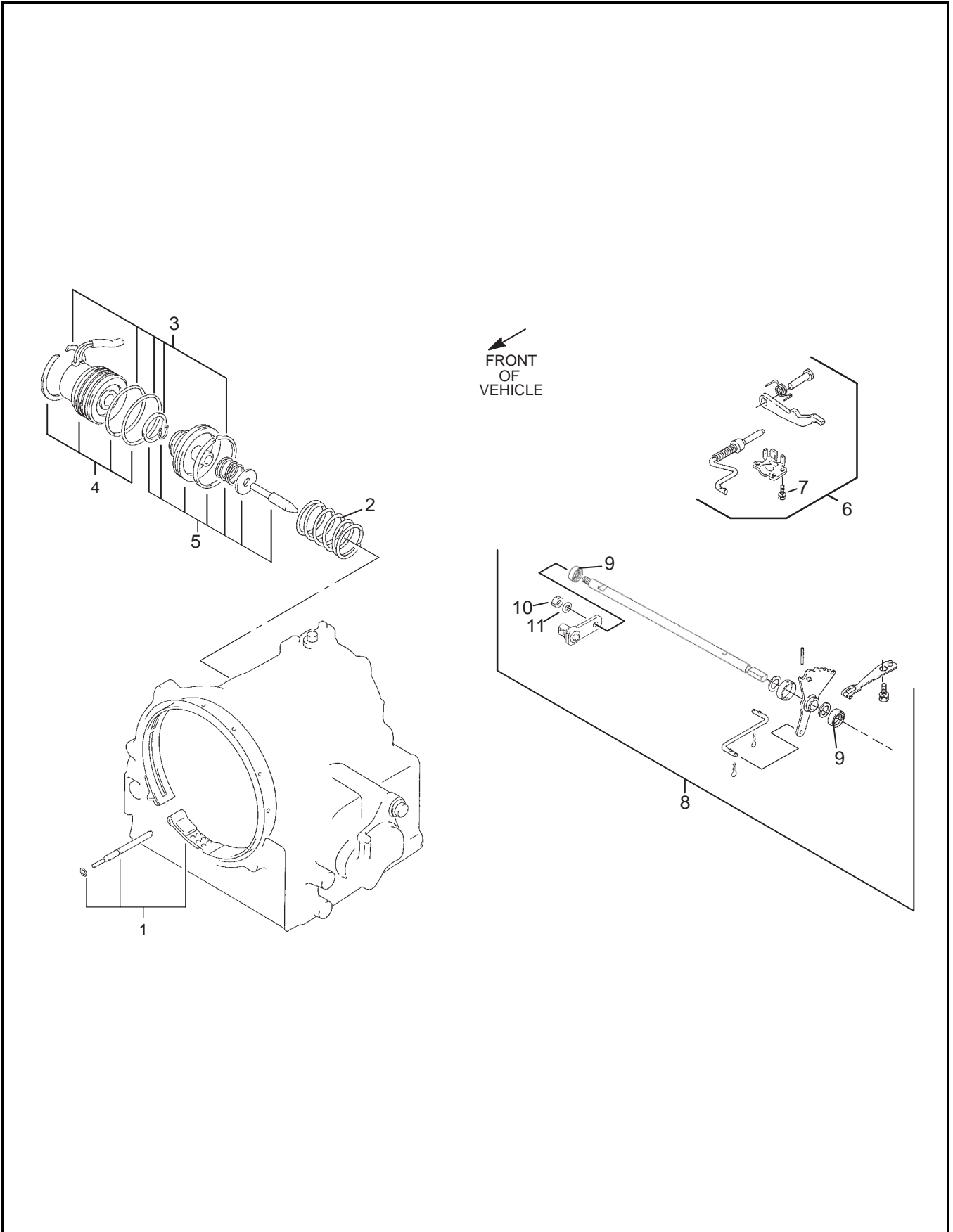
AUTOMATIC TRANSMISSION



AUTOMATIC TRANSMISSION

ITEM	PART NO.	1	2	3	4	5	DESCRIPTION	QTY.
1	2702750						CASE, TRANSMISSION	1
2	2702751						BREATHER	1
3	2702752						HOUSING, TORQUE CONVERTER	1
4	2702753						BOLT	6
5	2702760						PLUG, BOOSTER	1
6	2702761						O-RING	1
7	2702662						CAP	1
8	2702754						HOUSING, EXTENSION	1
9	2702683						SEAL, EXTENSION CASE	1
10	2702755						BOLT	5
11	2702494						NUT	2
12	2702756						BOLT	1
13	2702686						BOLT	1
14	2702757						STUD	1
15	2702758						STUD	1
16	2702689						NUT	2
17	2702690						COLLAR	2
18	2702759						HOOK, ENGINE	1
19	2702762						BOLT, TRANSMISSION CASE	2
20	2702763						BRACKET, CONNECTOR CLAMP	1
21	2702764						BOLT	1
22	2703051.7						BRACKET, ELECTRICAL (40 PIN)	1

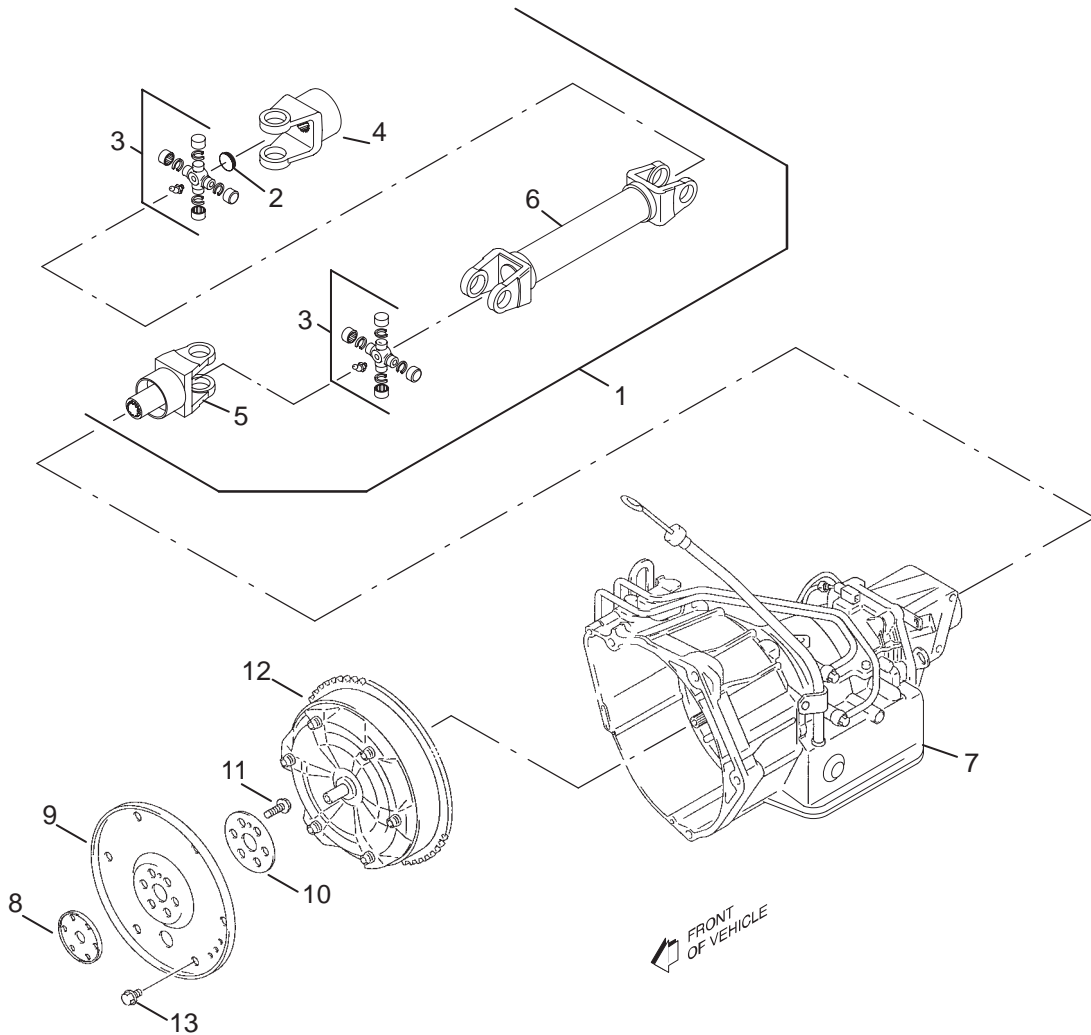
BRAKE BAND & SHIFT SHAFT (AUTOMATIC TRANSMISSION)



BRAKE BAND & SHIFT SHAFT (AUTOMATIC TRANSMISSION)

ITEM	PART NO.	1	2	3	4	5	DESCRIPTION	QTY.
1	2702800						BAND SET, SECOND BRAKE	1
2	2702805						SPRING, SECOND BRAKE PISTON RETURN	1
3	2702803						PISTON ASSEMBLY, SECOND BRAKE	1
4	2702804						COVER SET, 2ND BRAKE	1
5	2702801						RING SET, 2ND BRAKE SEAL	1
6	2702796						POLE SET, PARKING	1
7	2701921						BOLT	3
8	2702797						SHAFT SET, LEVER	1
9	2702798						SEAL	2
10	2702494						NUT	1
11	2702799						WASHER	1

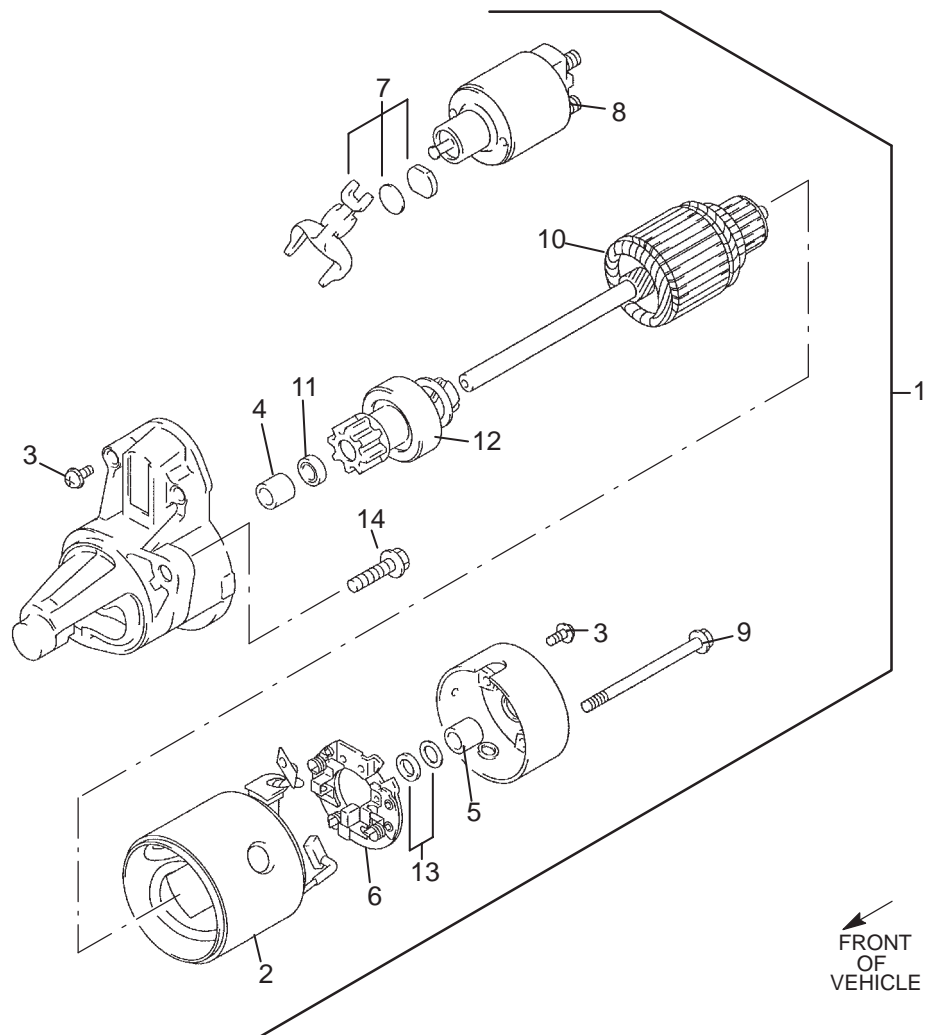
DRIVESHAFT, TORQUE CONVERTER AND AUTOMATIC TRANSMISSION



DRIVESHAFT, TORQUE CONVERTER AND AUTOMATIC TRANSMISSION

ITEM	PART NO.	1	2	3	4	5	DESCRIPTION	QTY.
1	895112.7						DRIVESHAFT, COMPLETE	1
2	548482						PLUG, EXPANSION.....	3
3	826284						CROSS, U-JOINT	2
4	826285						YOKE, UNIVERSAL	1
5	895125						YOKE, FRONT	1
6	895126						SHAFT, DRIVE	1
7	2702697						TRANSMISSION, COMPLETE	1
8	2702698						FLANGE, DRIVE PLATE.....	1
9	2702699						PLATE, DRIVE (FLYWHEEL).....	1
10	2702700						PLATE, DRIVE REAR	1
11	2701951						BOLT	6
12	2702701						CONVERTER, TORQUE	1
13	2702702						BOLT	6

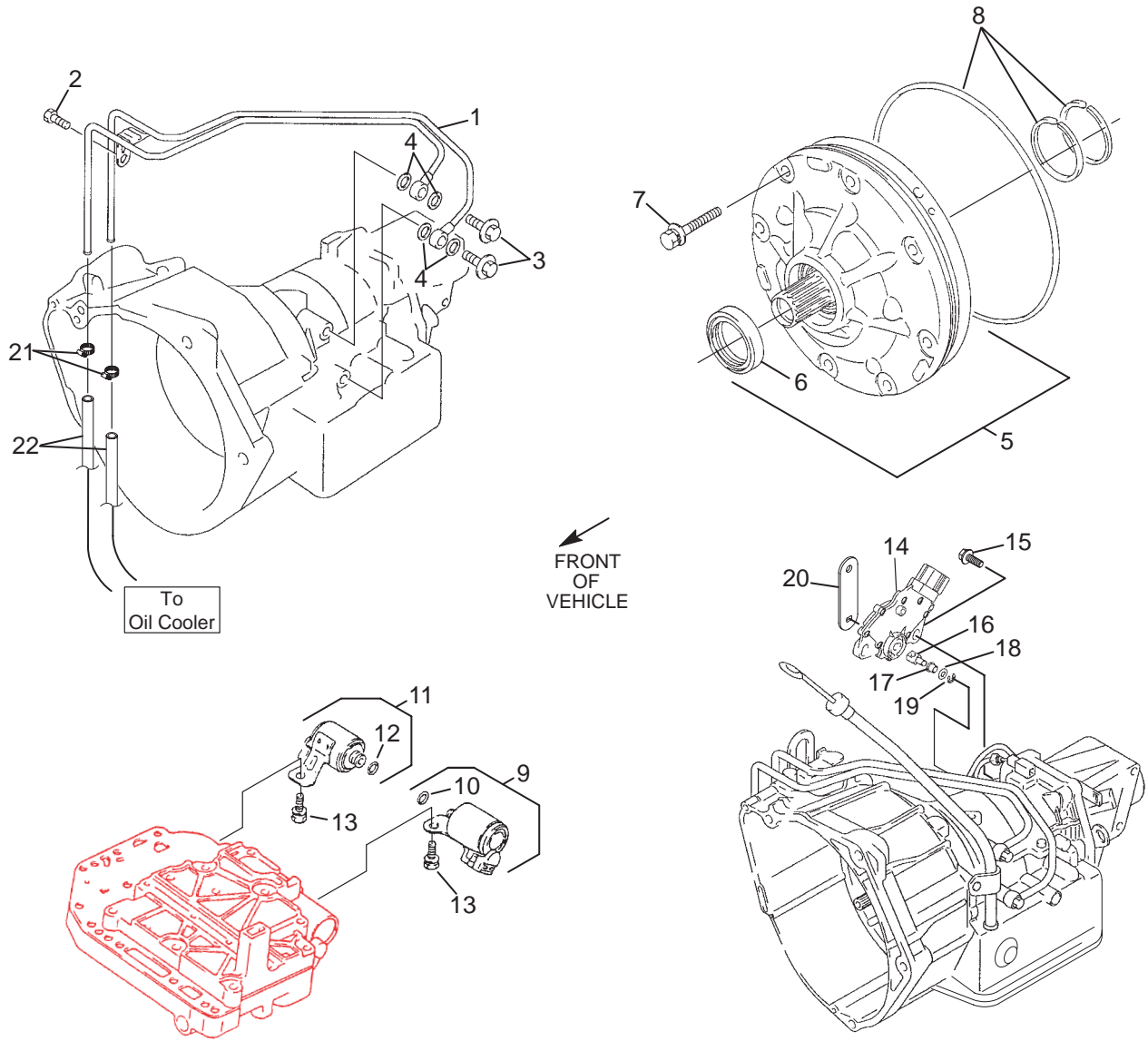
STARTER



STARTER

ITEM	PART NO.	1 2 3 4 5	DESCRIPTION	QTY.
1	2702906		MOTOR ASSEMBLY, STARTING	1
2	2702907		YOKE ASSEMBLY.....	1
3	2702895		SCREW ASSEMBLY	1
4	2702896		BUSHING	1
5	2702897		BUSHING	1
6	2702898		HOLDER ASSEMBLY, BRUSH	1
7	2702899		LEVER ASSEMBLY.....	1
8	2702900		SWITCH ASSEMBLY	1
9	2702908		BOLT.....	2
10	2702909		ARMATURE.....	1
11	2702903		RING ASSEMBLY.....	1
12	2702904		CLUTCH ASSEMBLY	1
13	2702905		WASHER	1
14	2702470		BOLT.....	2

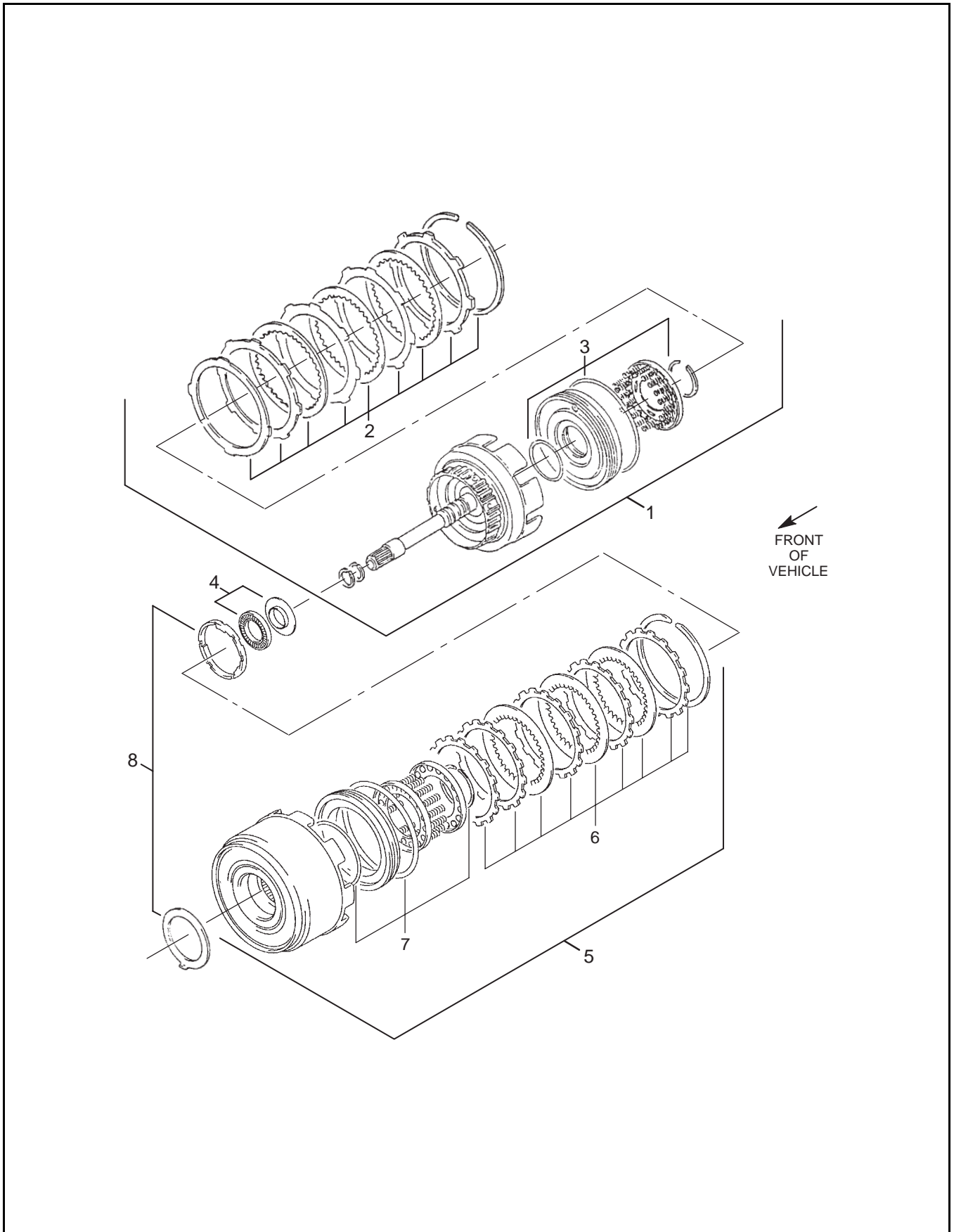
TRANSMISSION TUBES, OIL PUMP, SOLENOIDS AND SHIFT SWITCH (AUTOMATIC TRANSMISSION)



TRANSMISSION TUBES, OIL PUMP, SOLENOIDS AND SHIFT SWITCH (AUTOMATIC TRANSMISSION)

ITEM	PART NO.	1	2	3	4	5	DESCRIPTION	QTY.
1	2702843						PIPE ASSEMBLY, OIL.....	1
2	2702849						BOLT	1
3	2702847						UNION BOLT	2
4	2702845						GASKET.....	4
5	2702765						PUMP, OIL	1
6	2702766						SEAL, OIL PUMP	1
7	2702767						BOLT, OIL PUMP	8
8	2702768						RING SET, OIL PUMP SEAL	1
9	2702822						SOLENOID, DIRECT CLUTCH.....	1
10	2702823						O-RING.....	1
11	2702824						SOLENOID, 2ND BRAKE	1
12	2702823						O-RING.....	1
13	2702764						BOLT	2
14	2702885						SWITCH, SHIFT.....	1
15	2702886						BOLT	1
16	2702881						JOINT, TRANSMISSION SHIFTER	2
17	2702882						BUSHING.....	1
18	2702883						WASHER.....	1
19	2702884						E-RING.....	1
20	842740						LEVER, SHIFTER.....	1
21	825624						CLAMP, HOSE	2
22	826590						HOSE, 5/16 I.D.	AR

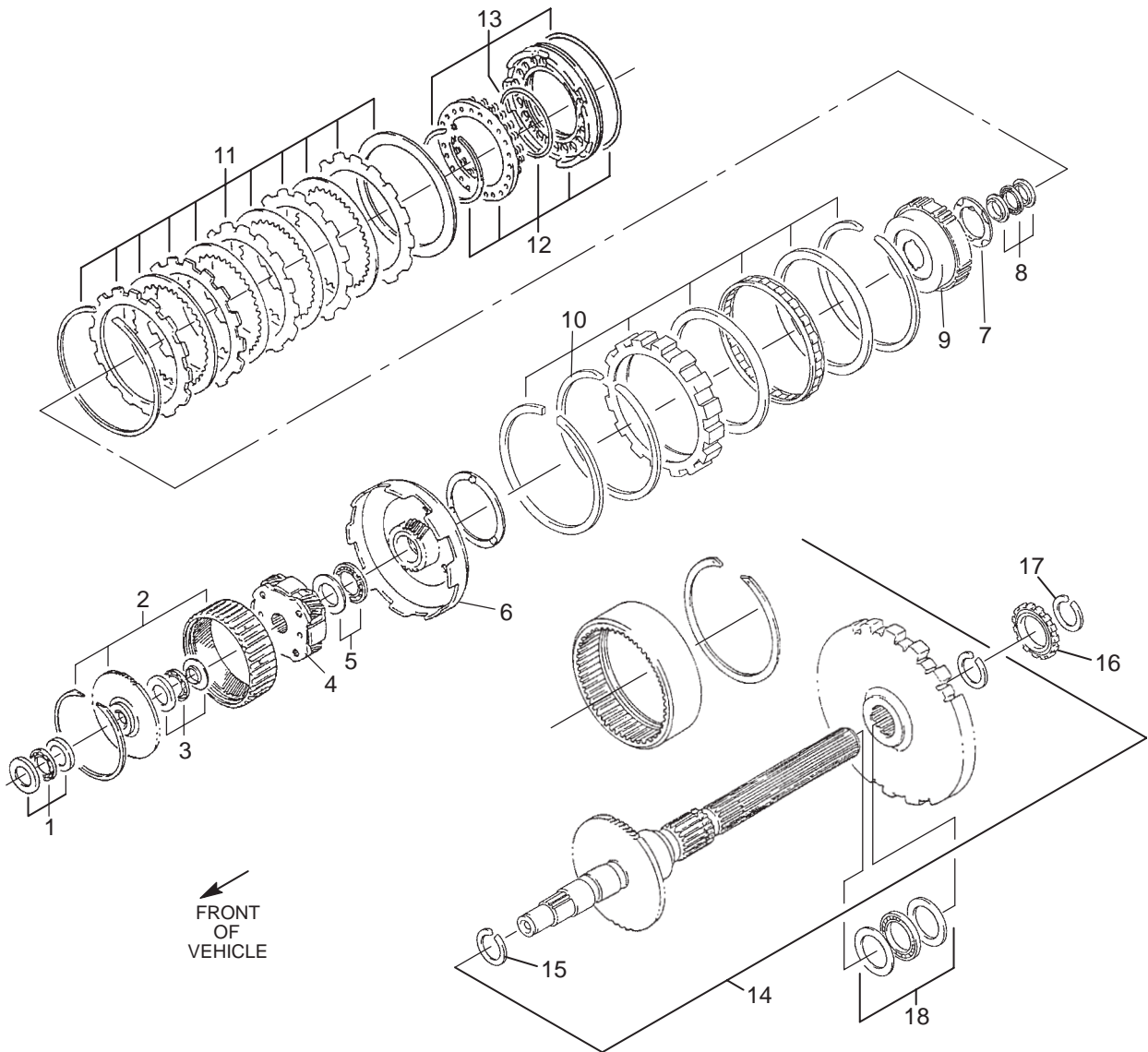
TRANSMISSION INPUT SHAFT & CLUTCH ASSEMBLY (AUTOMATIC TRANSMISSION)



TRANSMISSION INPUT SHAFT & CLUTCH ASSEMBLY (AUTOMATIC TRANSMISSION)

ITEM	PART NO.	1	2	3	4	5	DESCRIPTION	QTY.
1	2702769						SHAFT SET, INPUT	1
2	2702770						PLATE SET, FORWARD CLUTCH	1
3	2702771						O-RING SET, FORWARD CLUTCH	1
4	2702772						BEARING SET, THRUST (NO. 1)	1
5	2702773						CLUTCH ASSEMBLY, DIRECT.....	1
6	2702774						PLATE SET, DIRECT CLUTCH	1
7	2702775						O-RING SET, DIRECT CLUTCH	1
8	2702776						WASHER SET, DIRECT CLUTCH	1

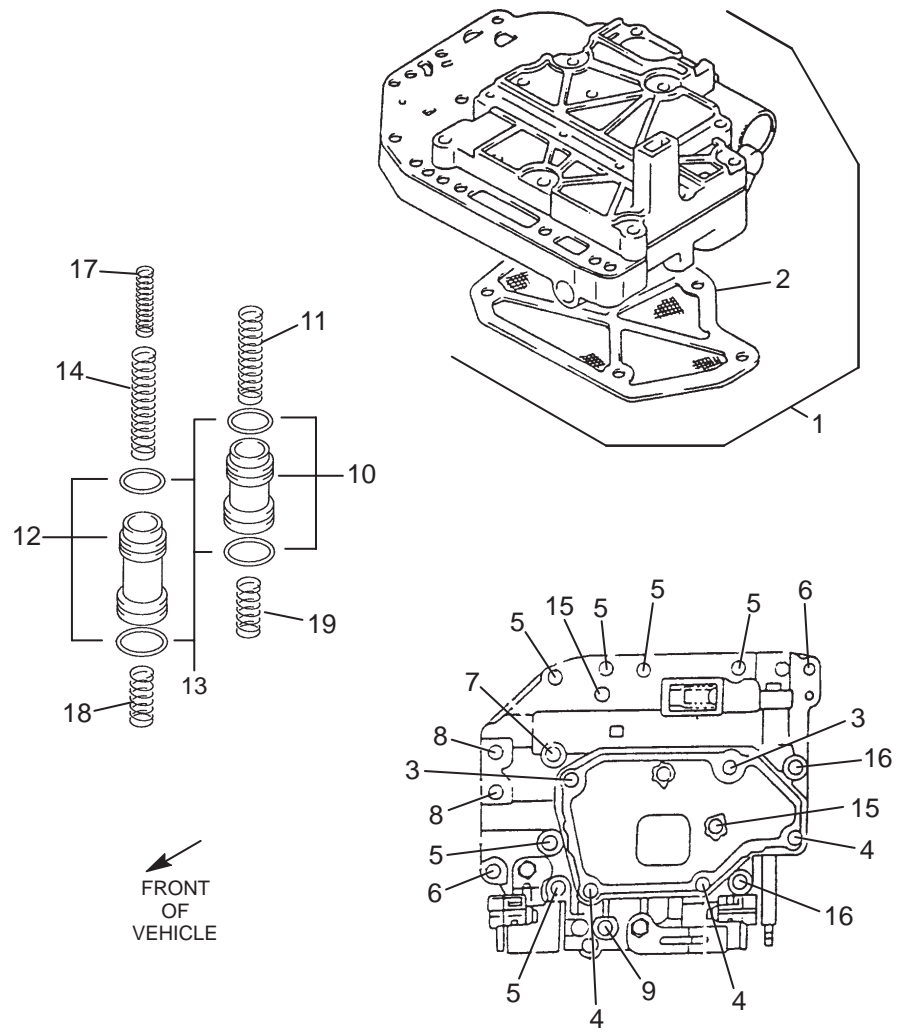
TRANSMISSION PLANETARY GEARS AND OUTPUT SHAFT (AUTOMATIC TRANSMISSION)



TRANSMISSION PLANETARY GEARS AND OUTPUT SHAFT (AUTOMATIC TRANSMISSION)

ITEM	PART NO.	1	2	3	4	5	DESCRIPTION	QTY.
1	2702778						BEARING SET, THRUST (NO. 3)	1
2	2702777						GEAR ASSEMBLY, FORWARD PLANETARY LINK.....	1
3	2702780						BEARING SET, THRUST (NO. 4)	1
4	2702779						GEAR ASSEMBLY, FRONT	1
5	2702781						BEARING SET, THRUST (NO. 5)	1
6	2702782						GEAR, PLANETARY SUN	1
7	2702783						WASHER SET, THRUST	1
8	2702785						BEARING SET, THRUST (NO. 1)	1
9	2702784						GEAR, REAR PLANETARY	1
10	2702786						CLUTCH SET, 1-WAY	1
11	2702787						PLATE SET, 1ST/REVERSE.....	1
12	2702788						PISTON SET, 1ST/REVERSE	1
13	2702789						O-RING SET, 1ST/REVERSE	1
14	2702790						SHAFT, OUTPUT	1
15	2702792						RING, SNAP	1
16	2702793						RING, SPEEDOMETER EXCITER	1
17	2702794						CIR-CLIP, EXCITER RING.....	1
18	2702795						BEARING, THRUST (SET NO. 6)	1

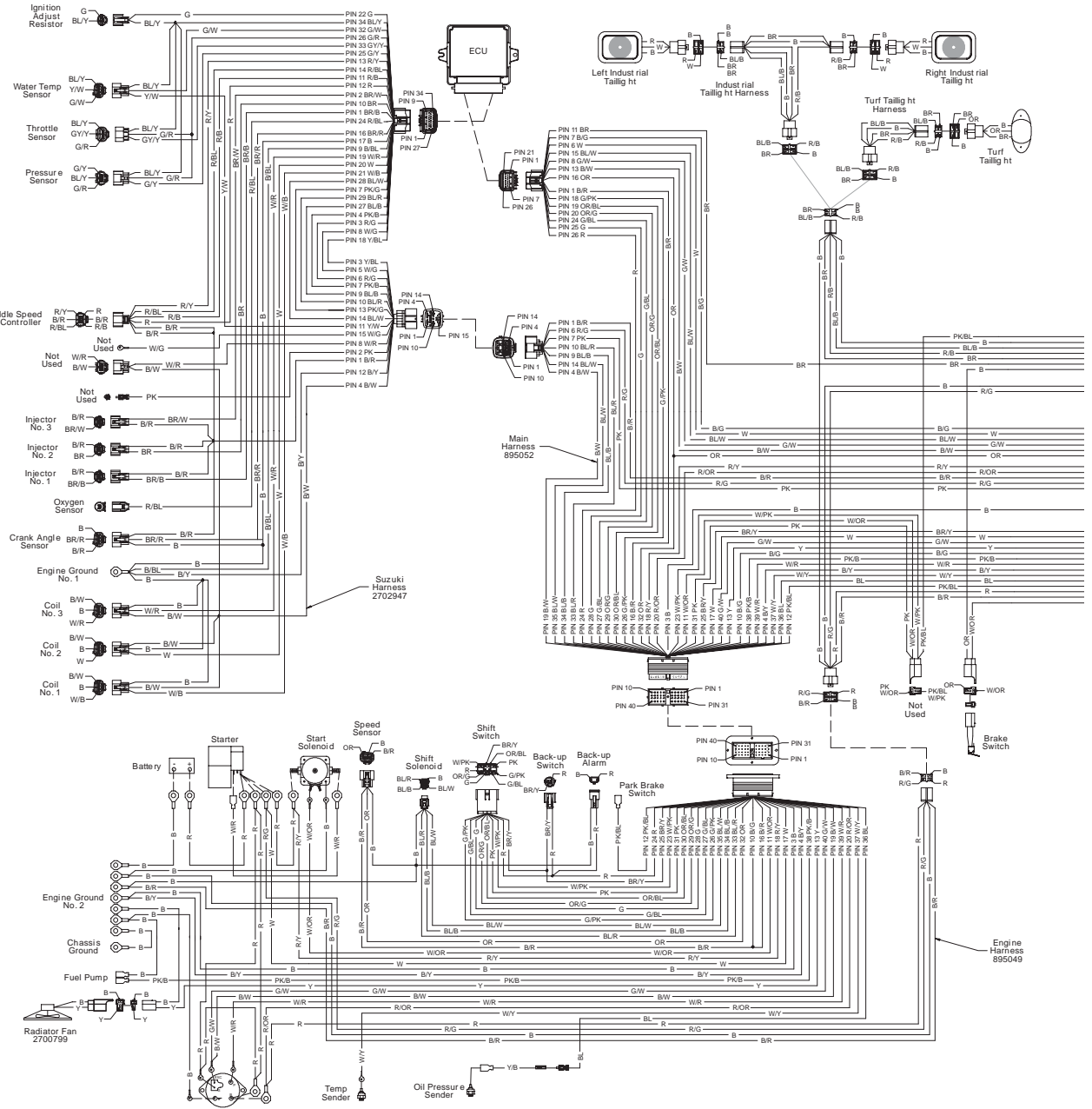
TRANSMISSION VALVE (AUTOMATIC TRANSMISSION)



TRANSMISSION VALVE (AUTOMATIC TRANSMISSION)

ITEM	PART NO.	1	2	3	4	5	DESCRIPTION	QTY.
1	2702821						BODY ASSEMBLY TRANSMISSION VALVE	1
2	2702825						STRAINER, TRANSMISSION.....	1
3	2702826						BOLT, VALVE BODY, NO. 5	2
4	2702827						BOLT, VALVE BODY, NO. 6	3
5	2702836						BOLT, VALVE BODY, NO. 1	6
6	2702834						BOLT, VALVE BODY, NO. 2	2
7	2702835						BOLT, VALVE BODY, NO. 3	1
8	2702837						BOLT, VALVE BODY, NO. 4	2
9	2702838						BOLT, VALVE BODY, NO. 6	1
10	2702828						PISTON SET, C1 ACCUMULATOR	1
11	2702829						SPRING, FORWARD PISTON	1
12	2702830						PISTON SET, B1 ACCUMULATOR	1
13	2702833						SEAL RING SET, ACCUMULATOR	1
14	2702831						SPRING, ACCUMULATOR 2ND BRAKE POSITION.....	1
15	2702839						BOLT, VALVE BODY, NO. 1	2
16	2702840						BOLT, VALVE BODY, NO. 2	2
17	2702841						SPRING, 2ND BRAKE NO. 2	1
18	2702842						SPRING, 2ND BRAKE NO. 3	1
19	2702832						SPRING, ACCUMULATOR FORWARD PISTON LOWER	1

WIRING DIAGRAM HAULSTER (AUTOMATIC TRANSMISSION)

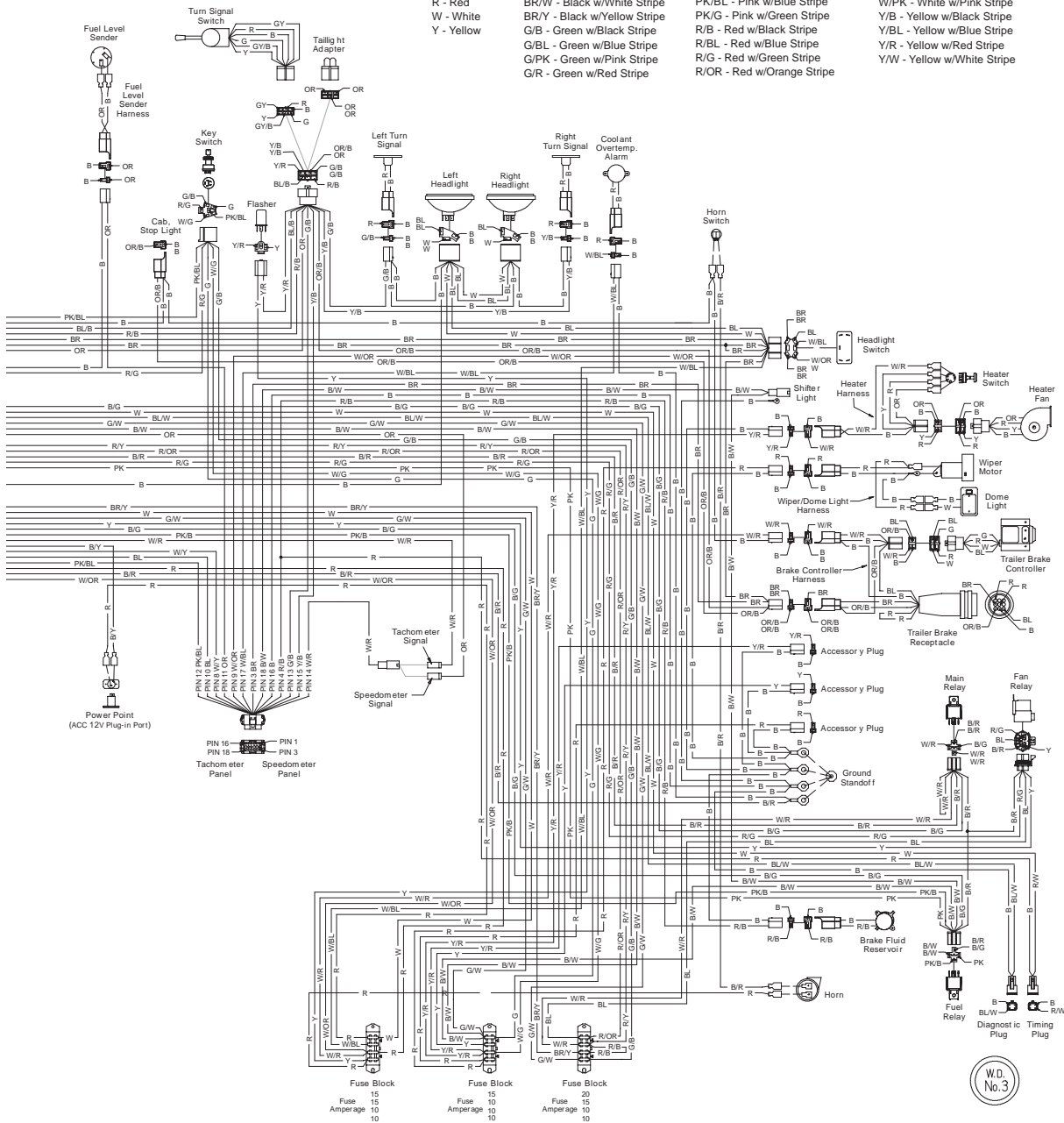


W.D.
No. 3

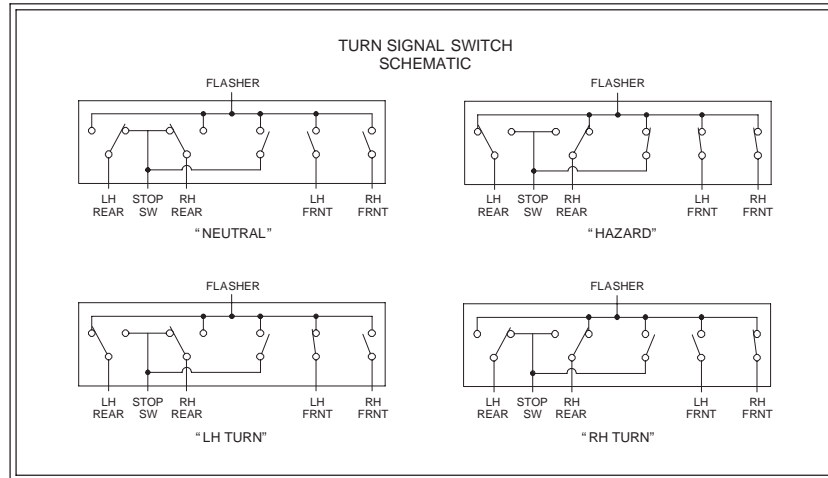
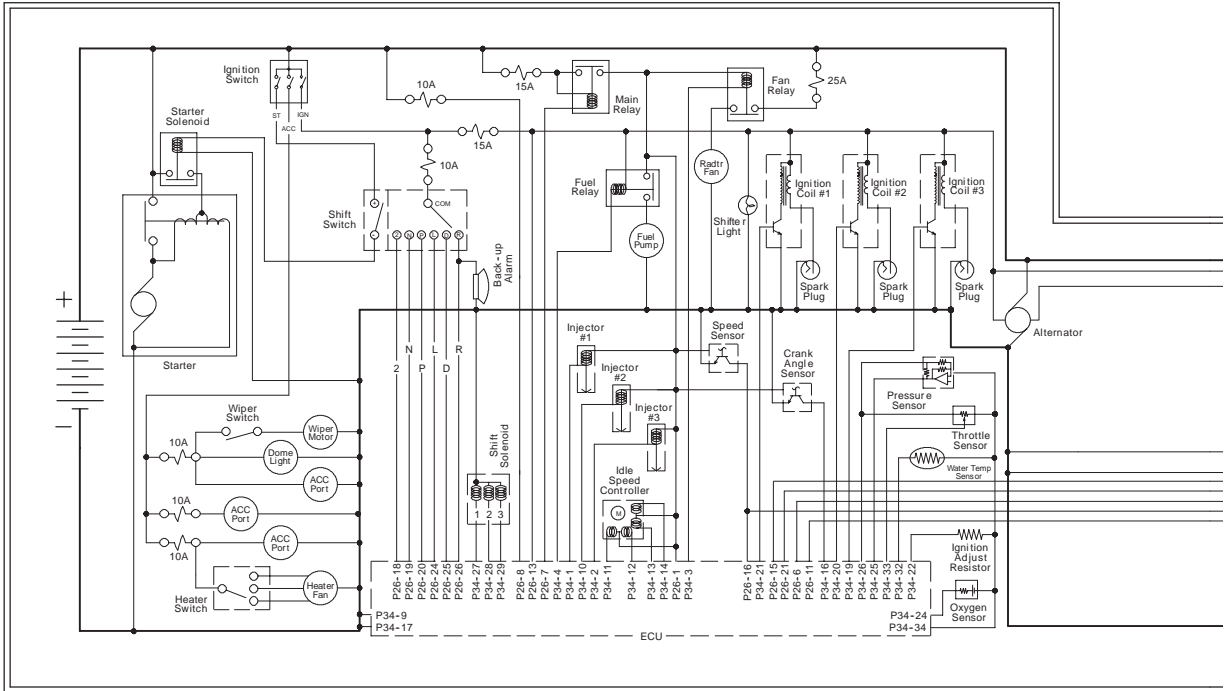
WIRING DIAGRAM HAULSTER (AUTOMATIC TRANSMISSION)

COLOR CODE:

B - Black	B/G - Black w/Green Stripe	G/W - Green w/White Stripe	R/Y - Red w/Yellow Stripe
BL - Blue	B/R - Black w/Red Stripe	G/Y - Green w/Yellow Stripe	W/R - White w/Brown Stripe
BR - Brown	B/W - Black w/White Stripe	GY/Y - Grey w/Yellow Stripe	W/G - White w/Green Stripe
G - Green	B/Y - Black w/Yellow Stripe	OR/G - Orange w/Green Stripe	W/OR - White w/Orange Stripe
GY - Grey	BL/R - Blue w/Black Stripe	OR/B - Orange w/Black Stripe	W/R - White w/Red Stripe
OR - Orange	BL/Y - Blue w/Red Stripe	OR/BL - Orange w/Blue Stripe	W/Y - White w/Yellow Stripe
PK - Pink	BL/W - Black w/White Stripe	P/BL - Purple w/Blue Stripe	W/B - White w/Black Stripe
P - Purple	BL/Y - Black w/Yellow Stripe	PK/B - Pink w/Black Stripe	W/BL - White w/Blue Stripe
R - Red	BR/W - Black w/White Stripe	PK/BL - Pink w/Blue Stripe	W/PK - White w/Pink Stripe
W - White	BR/Y - Black w/Yellow Stripe	PK/G - Pink w/Green Stripe	Y/B - Yellow w/Black Stripe
Y - Yellow	G/B - Green w/Black Stripe	R/B - Red w/Black Stripe	Y/BL - Yellow w/Blue Stripe
	G/BL - Green w/Blue Stripe	R/BL - Red w/Blue Stripe	Y/R - Yellow w/Red Stripe
	G/PK - Green w/Pink Stripe	R/G - Red w/Green Stripe	Y/W - Yellow w/White Stripe
	G/R - Green w/Red Stripe	R/OR - Red w/Orange Stripe	

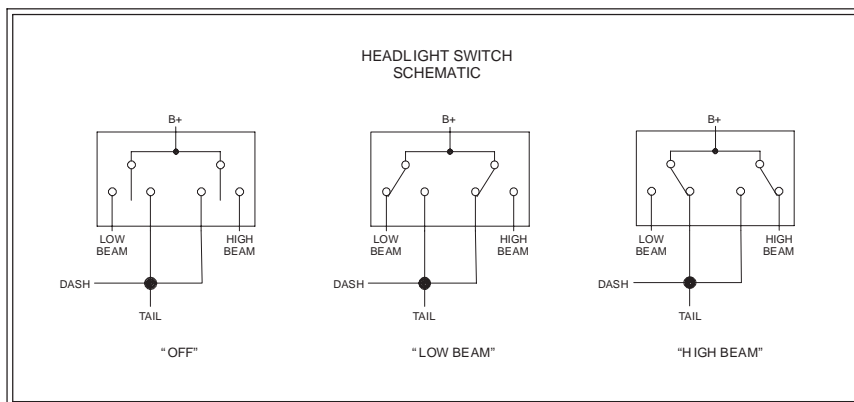
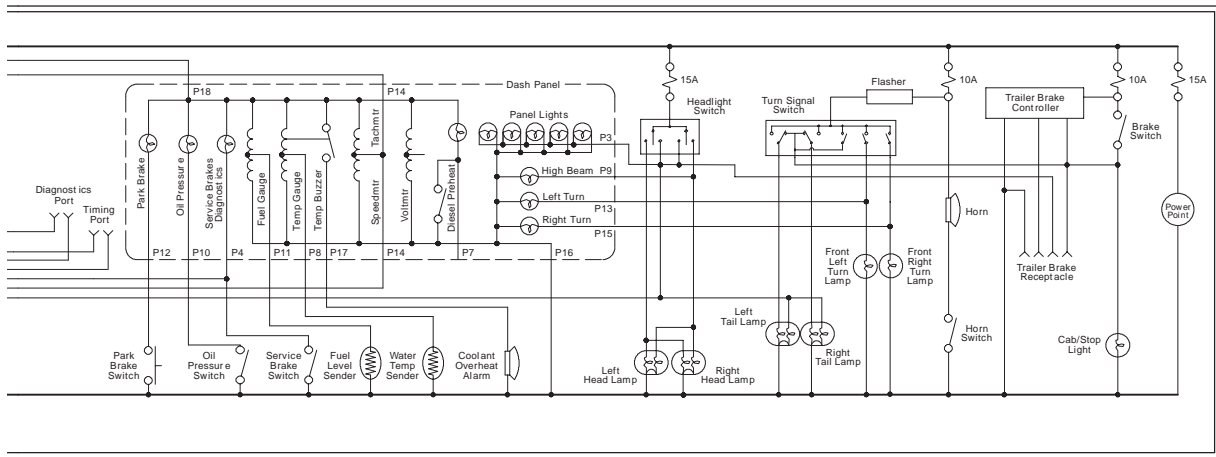
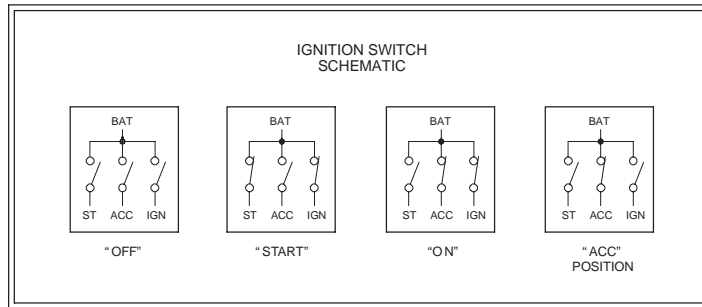


WIRING SCHEMATIC DIAGRAM HAULSTER (AUTOMATIC TRANSMISSION)



WS
No. 3

WIRING SCHEMATIC DIAGRAM HAULSTER (AUTOMATIC TRANSMISSION)



WS
No.3



Cushman Products

1451 MARVIN GRIFFIN ROAD, AUGUSTA, GEORGIA USA 30906 - 3852

Inside USA Phone: 1-800-241-5855, FAX: 1-800-448-8124

Outside USA Phone: 010-1-706-798-4311, FAX: 010-1-706-771-4609

Copyrighted Material
This manual may not be reproduced in whole or
in part without the express permission of
E-Z-GO Division of TEXTRON Inc.
Technical Communications Department