



A Textron Company

SERVICE PARTS MANUAL



Industrial 640

605510

Electric Three Wheeled Vehicles

ISSUED: JULY 2006

REVISED: SEPTEMBER 2009

SERVICE PARTS MANUAL

ELECTRIC THREE WHEEL UTILITY VEHICLES

INDUSTRIAL 640

STARTING MODEL YEAR 2007

E-Z-GO Division of TEXTRON, Inc. reserves the right to make design changes without obligation to make these changes on units previously sold and the information contained in this manual is subject to change without notice.

E-Z-GO Division of TEXTRON, Inc. is not liable for errors in this manual or for incidental or consequential damages that result from the use of the material in this manual.

CUSTOMER SERVICE DEPARTMENT IN USA PHONE: 1-800-241-5855 FAX: 1-800-448-8124

OUTSIDE USA PHONE: 001-706-798-4311, FAX: 001-706-771-4609

E-Z-GO DIVISION OF TEXTRON, INC., P.O.BOX 388, AUGUSTA, GEORGIA USA 30906-3852

NOTES

To obtain a copy of the limited warranty applicable to the vehicle, call or write a local Distributor, authorized Branch or the Warranty Department with vehicle serial number and manufacturer code.

The use of non Original Equipment Manufacturer (OEM) parts may void the warranty.

Tampering with or adjusting the governor to permit vehicle to operate at above factory specifications will void the vehicle warranty.

When servicing engines, all adjustments and replacement components must be per original vehicle specifications in order to maintain the United States of America Federal and State emission certification applicable at the time of manufacture.

BATTERY PROLONGED STORAGE

All batteries will self discharge over time. The rate of self discharge varies depending on the ambient temperature and the age and condition of the batteries.

A fully charged battery will not freeze in winter temperatures unless the temperature falls below -75° F (-60° C).

TABLE OF CONTENTS

SECTION	Page No.
HOW TO USE THE SERVICE PARTS MANUAL	vii
ILLUSTRATED PARTS BREAKDOWN	ix
ACCELERATOR	A-1
BATTERY CHARGER - PORTABLE	B-1
BATTERY CHARGER - ON BOARD	B-3
BODY	C-1
BRAKES	D-1
DIRECTION SELECTOR	E-1
ELECTRICAL SYSTEM	F-1
ELECTRONIC SPEED CONTROL	G-1
FRONT FORK AND STEERING	H-1
MOTOR	J-1
REAR AXLE	K-1
WHEELS AND TIRES	L-1

TABLE OF CONTENTS

HOW TO USE THE SERVICE PARTS MANUAL

This manual is divided into several sections:

GENERAL INFORMATION

- TABLE OF CONTENTS
- HOW TO USE THE SERVICE PARTS MANUAL

ILLUSTRATED PARTS BREAKDOWN

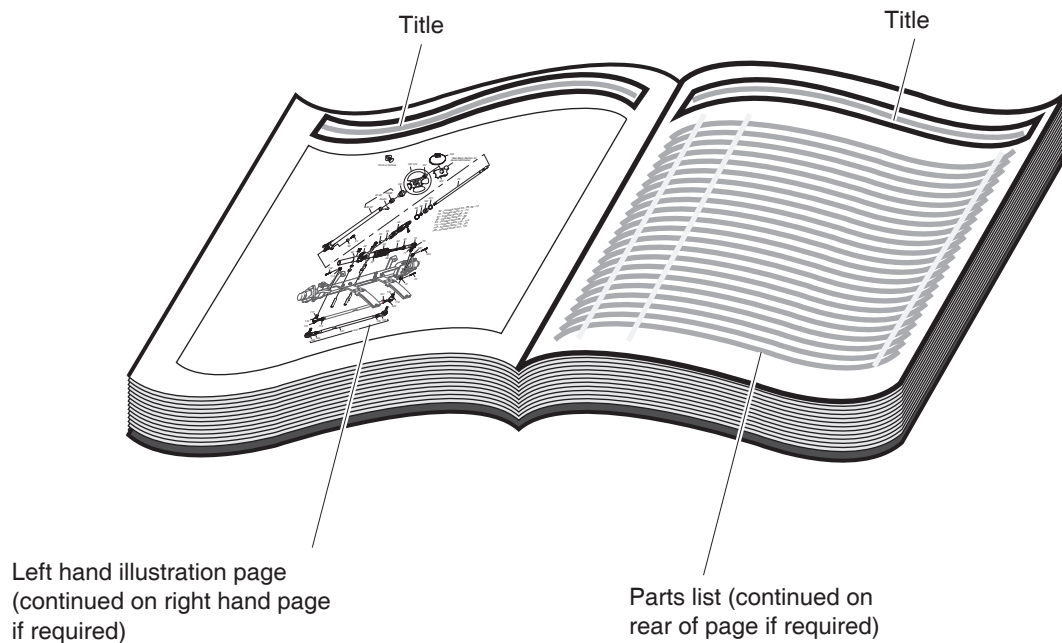
- Contains illustrations and parts lists for all systems of the vehicle

USE OF THE MANUAL

To use this manual, consult the TABLE OF CONTENTS (page iii) to locate the information or illustration required.

Introduction of some revisions varies due to supply of components; therefore, it is possible that various combinations of components may be found that are not directly reflected by each illustration. Consult the illustration that best suits your situation. Locate the serial number plate (see BODY located in the Illustrated Parts Breakdown section of this manual for its location) and note the complete number shown on the plate. It is important that the serial number of your vehicle and its model number be supplied to Service Parts when ordering any replacement components.

HOW TO USE THE SERVICE PARTS MANUAL



1. WHEN THE PART NUMBER IS NOT KNOWN

- Determine the function and application of the part required. Turn to the TABLE OF CONTENTS and select the most appropriate component description.
- Turn to the page number indicated and locate the part description in the parts list. Read the full accompanying description for specific information regarding the part that was not shown in the index.
- From the parts list, obtain the item number assigned to it and confirm that the part selected is correct by verifying it with the pictorial representation on the illustrated page.

2. IF YOU KNOW THE PART NUMBER

- Turn to the page number indicated and locate the part number in the parts list. Refer to the accompanying description for specific information regarding the part.
- From the parts list, obtain the item number assigned to it and confirm that the part selected is correct by verifying it with the pictorial representation on the illustrated page.

Should an asterisk (*) appear in the part number column on the parts list page, read upwards until a part number is found. The part number is the lowest assembly sold by Service Parts. The asterisk (*) indicates that the part depicted is not available for purchase.

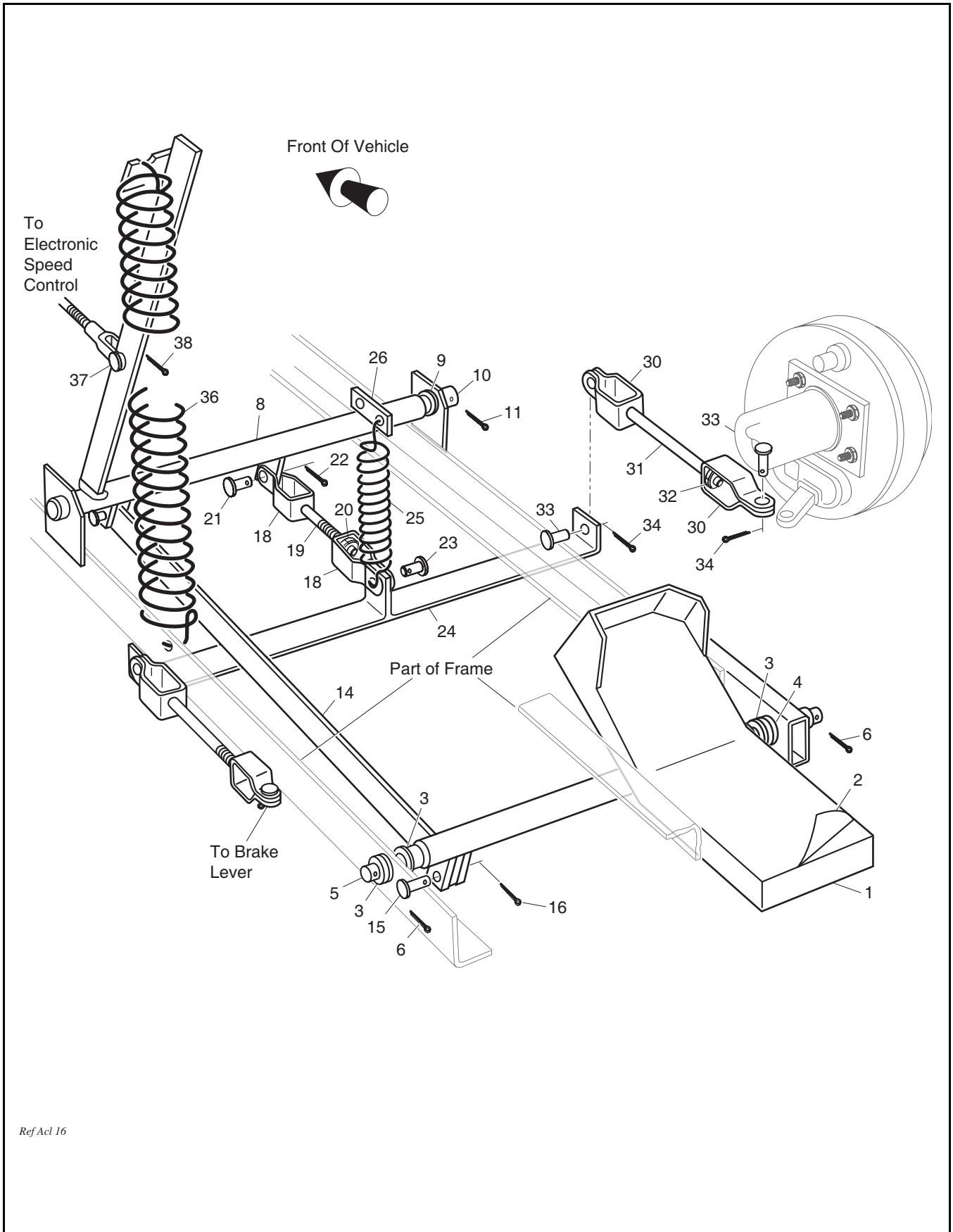
NOTE: Descriptions are indented under the assembly that they are used on. That assembly is, in turn listed under the assembly that it is used on. This process is repeated until the highest final assembly is reached.

To facilitate the maintenance and repair of the vehicle, a Technician's Repair and Service Manual is available from the Service Parts Department.

ILLUSTRATED PARTS BREAKDOWN

ILLUSTRATED PARTS BREAKDOWN

ACCELERATOR



Ref Acl 16

ACCELERATOR

When ordering parts, please specify the model and serial number of the product.

* Indicates a component that is not available as an individual part.

G** Indicates consult Customer Service Department for additional information.

ITEM	PART NO.	1 2 3 4 5	DESCRIPTION	QTY.
1	32277-G1		FOOT PEDAL.....	1
2	21531-G2		ABRASIVE STRIP	1
3	70581-G01		BUSHING	3
4	00771-G2		NYLON WASHER, 1/2"	2
5	30772-G4		PIVOT SHAFT, 1/2" DIA. X 17" LG	1
6	10387-G2		COTTER PIN, 3/32" X 1" LG	2
7				
8	32279-G1		CONTROL ARM.....	1
9	70581-G01		BUSHING	2
10	30772-G3		PIVOT SHAFT, 1/2" DIA. X 16" LG	1
11	10387-G9		COTTER PIN, 1/8" X 1 1/4" LG	1
12				
13				
14	30783-G1		CONTROL LINK.....	1
15	14443-G3		CLEVIS PIN, 5/16" X 1" LG	2
16	10387-G2		COTTER PIN, 3/32" X 1" LG	2
17				
18	30182-G1		CLEVIS YOKE.....	2
19	00272-G4		BOLT, 5/16 - 18 X 2 1/2" LG	1
20	11098-G6		LOCK NUT, 5/16 - 18 (STAINLESS STEEL)	1
21	10386-G3		CLEVIS PIN, 5/16" X 13/16" LG	1
22	10387-G2		COTTER PIN, 3/32" X 1" LG	1
23	14443-G3		CLEVIS PIN, 5/16" X 7/8" LG	1
24	30779-G1		BRAKE EQUALIZER.....	1
25	35428-G01		EXTENSION SPRING.....	1
26	31855-G1		SPRING LINK.....	1
27				
28				
29				
30	30182-G1		CLEVIS YOKE.....	4

ACCELERATOR

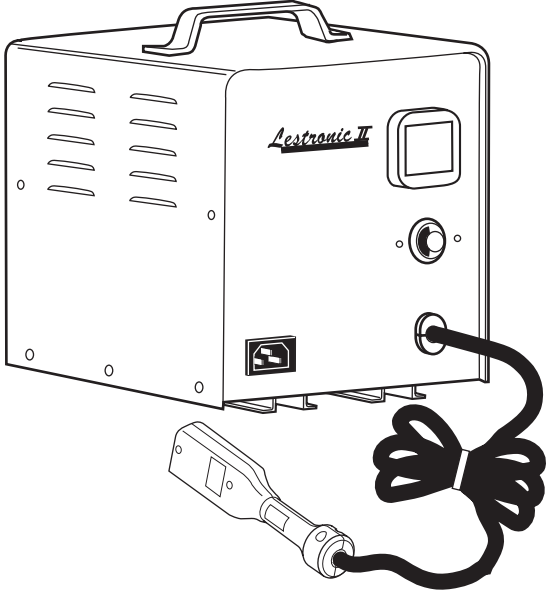
When ordering parts, please specify the model and serial number of the product.

* Indicates a component that is not available as an individual part.

G** Indicates consult Customer Service Department for additional information.

ITEM	PART NO.	1 2 3 4 5	DESCRIPTION	QTY.
31	00441-G8		BOLT, 5/16 - 18 X 4" LG	2
32	11098-G6		LOCK NUT, 5/16 - 18 (STAINLESS STEEL)	2
33	10386-G3		CLEVIS PIN, 5/16" X 13/16" LG	4
34	10387-G2		COTTER PIN, 3/32" X 1" LG	4
35				
36	30177-G1		EXTENSION SPRING	1
37	10386-G3		CLEVIS PIN, 5/16" X 13/16" LG	1
38	10387-G2		COTTER PIN, 3/32" X 1" LG	1

BATTERY CHARGER - PORTABLE



Ref Bcl 16

BATTERY CHARGER - PORTABLE

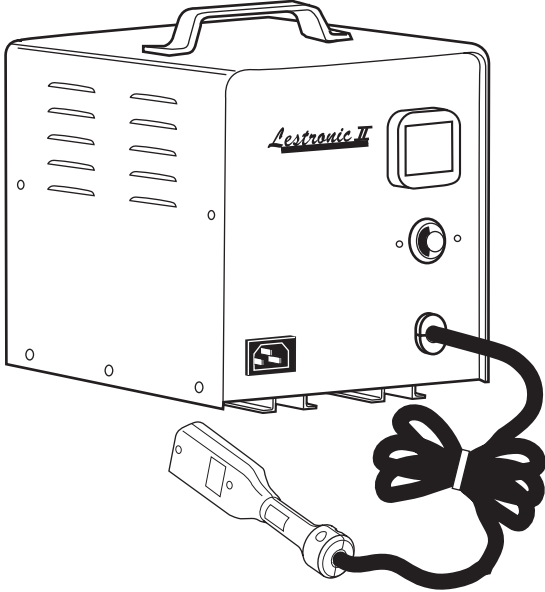
When ordering parts, please specify the model and serial number of the product.

* Indicates a component that is not available as an individual part.

G** Indicates consult Customer Service Department for additional information.

ITEM	PART NO.	1 2 3 4 5	DESCRIPTION	QTY.
1	602712		<p>BATTERY CHARGER, LESTER, 24 VOLT, PORTABLE</p> <p>For service or replacement parts, contact: Lester Electrical 625 West "A" Street Lincoln, NE 68522</p> <p>Phone: USA 001-402- 477-8988, FAX: 001-402- 474-1769</p> <p>Always provide the following information when requesting information or ordering replacement parts:</p> <p>Model Number: Serial Number: (stamped into housing)</p>	

BATTERY CHARGER - ON BOARD



Ref Bcl 16

BATTERY CHARGER - ON BOARD

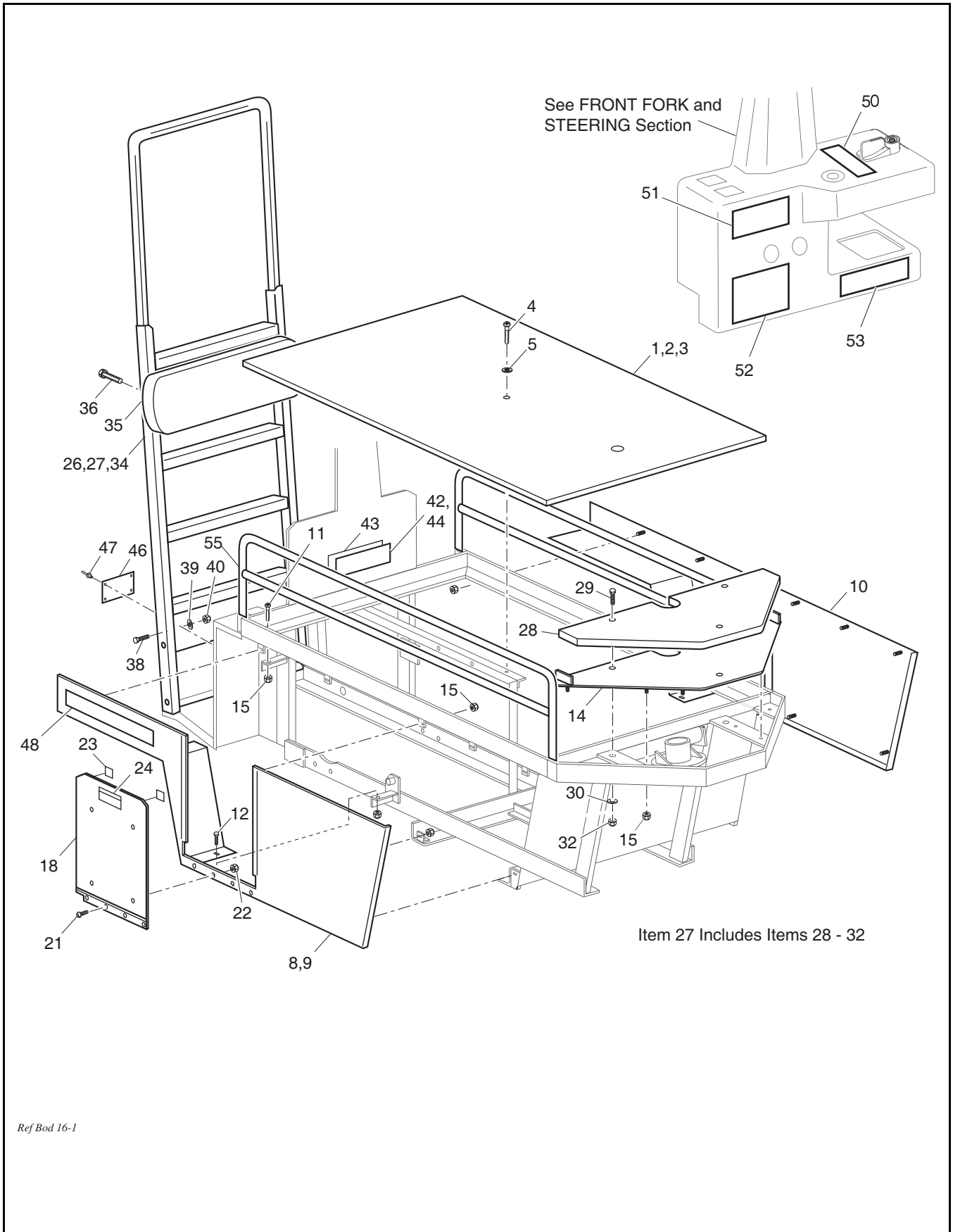
When ordering parts, please specify the model and serial number of the product.

* Indicates a component that is not available as an individual part.

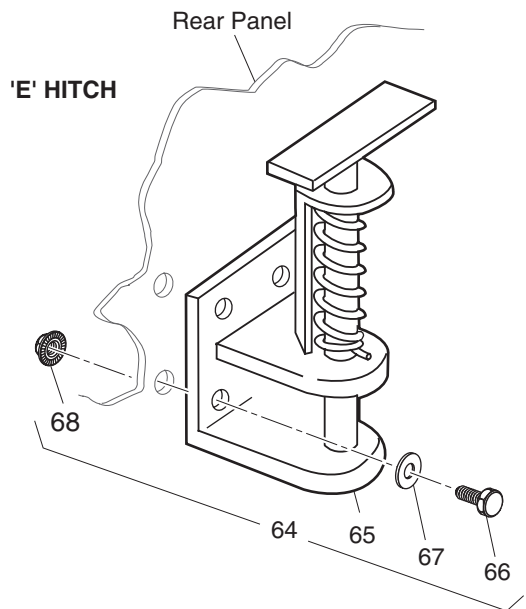
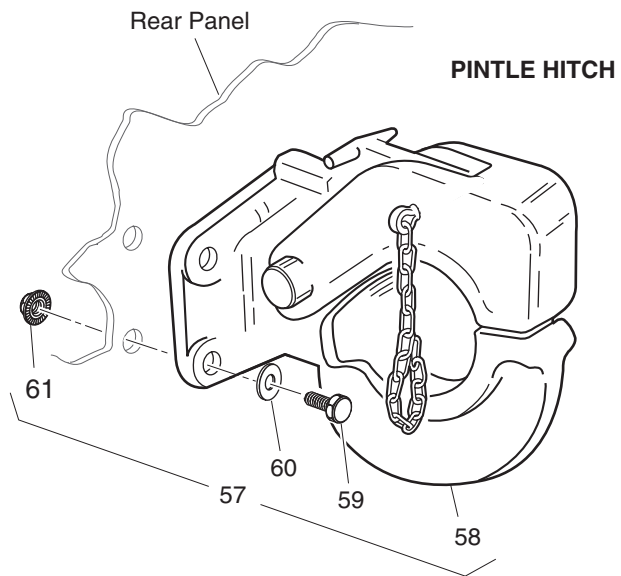
G** Indicates consult Customer Service Department for additional information.

ITEM	PART NO.	1 2 3 4 5	DESCRIPTION	QTY.
1	602707		<p>BATTERY CHARGER ASSEMBLY, LESTER, 24 VOLT</p> <p>For service or replacement parts, contact: Lester Electrical 625 West "A" Street Lincoln, NE 68522</p> <p>Phone: USA 001-402- 477-8988, FAX: 001-402- 474-1769 Always provide the following information when requesting information or ordering replacement parts:</p> <p>Model Number: Serial Number: (stamped into housing)</p>	

BODY



Ref Bod 16-1



Ref Bod 16-2

BODY

When ordering parts, please specify the model and serial number of the product.

* Indicates a component that is not available as an individual part.

G** Indicates consult Customer Service Department for additional information.

ITEM	PART NO.	1 2 3 4 5	DESCRIPTION	QTY.
1	35700-G01		LOAD DECK.....	1
2	31051-G1		GALVANIZED STEEL LOAD DECK	1
3	31051-G2		STAINLESS STEEL LOAD DECK	1
4	00753-G3		SCREW, 1/4 - 20 X 1 1/2" LG (STAINLESS STEEL).....	1
5	00559-G8		WASHER, 5/16"	1
6				
7				
8	33738-G01		BODY PANEL, RH SIDE (IF EQUIPPED WITH ONBOARD CHARGER)	1
9	33738-G02		BODY PANEL, RH SIDE (IF EQUIPPED WITH PORTABLE CHARGER)	1
10	33739-G01		BODY PANEL, LH SIDE	1
11	00414-G6		BOLT, 1/4 - 20 X 3/4" LG	2
12	16705-G4		SCREW, 1/4 - 20 X 1/2" LG (STAINLESS STEEL).....	2
13				
14	33750-G01		FRONT TRAY	1
15	11027-G2		LOCK NUT, 1/4 - 20	28
16				
17				
18	32574-G1		CHARGER MOUNT DOOR ASSEMBLY	1
19				
20				
21	16705-G2		SCREW 1/4 - 20 X 5/8" LG (STAINLESS STEEL).....	4
22	14390-G4		LOCK NUT, 1/4 - 20	4
23	22524-G1		FOAM TAPE (CUT TO 1" LG).....	1
24	22280-G1		TRIM, BLACK (CUT TO 3 1/2" LG)	1
25				
26	33291-G01		LADDER KIT (4 STEP)	1
27	33291-G02		LADDER KIT (6 STEP) (INCLUDES ITEMS 28 - 32).....	1
28	32556-G1		COUNTER WEIGHT.....	1
29	00659-G2		BOLT, 1/2 - 13 X 2 1/4" LG (STAINLESS STEEL)	3
30	00679-G3		WASHER, 1/2" (STAINLESS STEEL)	6

When ordering parts, please specify the model and serial number of the product.

* Indicates a component that is not available as an individual part.

G** Indicates consult Customer Service Department for additional information.

ITEM	PART NO.	1 2 3 4 5	DESCRIPTION	QTY.
31				
32	00891-G4		LOCK NUT, 1/2 - 13.....	3
33				
34	30931-G1		BACKREST FRAME	1
35	30917-G2		CUSHION, BACKREST	1
36	00126-G6		SCREW, #12 - 11 X 3/4" LG	3
37				
38	00288-G8		BOLT, 7/16 - 14 X 1" LG	4
39	00566-G2		LOCK WASHER, 7/16".....	4
40	00532-G7		NUT, 7/16 - 14.....	4
41				
42	71037-G02		NAMEPLATE, E-Z-GO (INCLUDES ITEM 43).....	1
43	23093-G1		DOUBLE SIDED TAPE (CUT TO LENGTH)	1
44				
45	*		SERIAL NUMBER PLATE.....	1
46	10570-G9		RIVET, 1/8" X 11/32" LG (ALUMINUM)	4
47	35432-G01		LABEL (INDUSTRIAL)	2
48				
49	31127-G1		LABEL (DIRECTION SELECTOR).....	1
50	27493-G01		LABEL (CHARGER OPERATION INSTRUCTIONS).....	1
51	34359-G01		LABEL (SAFETY/OPERATION INSTRUCTIONS).....	1
52	25775-G01		LABEL (CHARGER WARNING)	1
53				
54	31158-G2		SIDE RAILS.....	2
55				
56	32980-G04		PINTLE HITCH KIT (INCLUDES ITEMS 58 - 61)	1
57	30817-G1		PINTLE HITCH	1
58	00427-G4		BOLT, 3/8 - 16 X 1 1/2" LG.....	4
59	00560-G1		WASHER, 3/8".....	8
60	11098-G5		LOCK NUT, 3/8 - 16.....	4

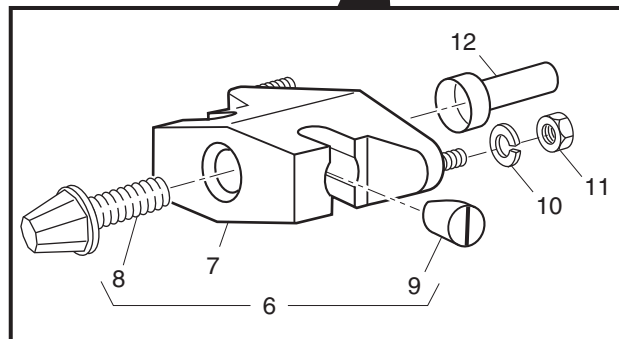
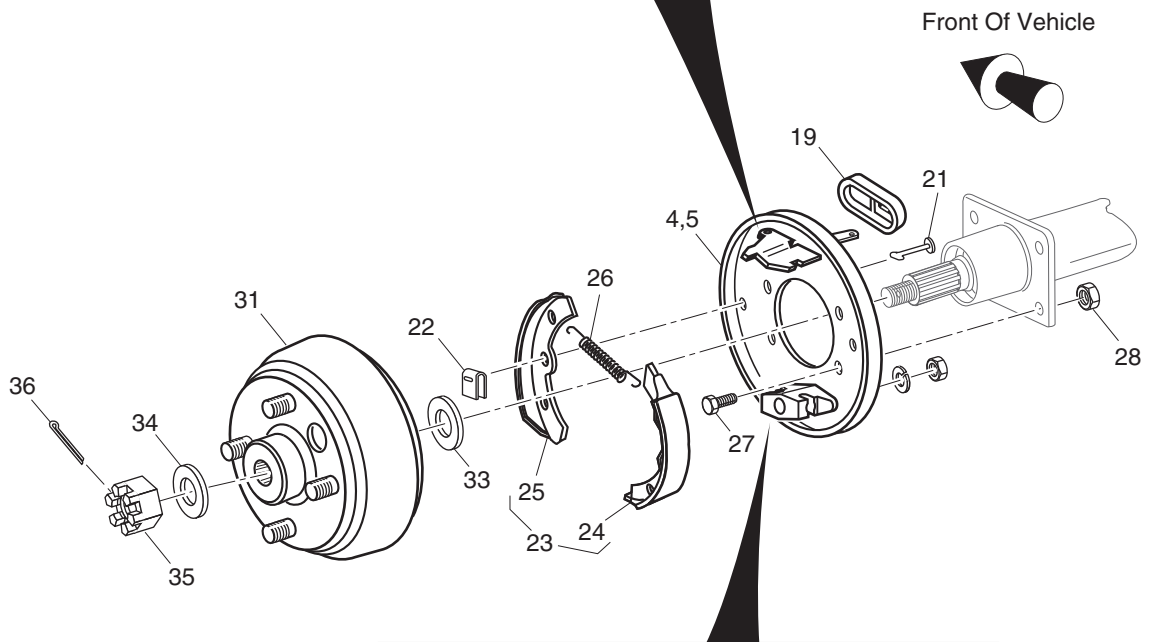
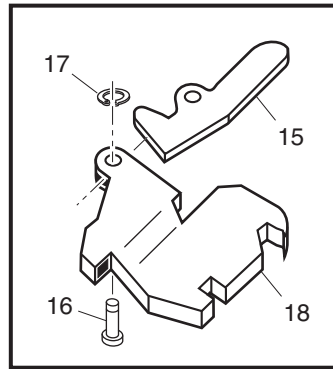
BODY

When ordering parts, please specify the model and serial number of the product.
 * Indicates a component that is not available as an individual part.
 G** Indicates consult Customer Service Department for additional information.

ITEM	PART NO.	1 2 3 4 5	DESCRIPTION	QTY.
61				
62				
63	33732-G04		'E' HITCH KIT (INCLUDES ITEMS 65 - 68)	1
64	33731-G01		'E' HITCH	1
65	00427-G6		BOLT, 3/8 - 16 X 1 3/4" LG	4
66	00560-G1		WASHER, 3/8"	8
67	11098-G5		LOCK NUT, 3/8 - 16.....	4

BRAKES

- 1 - Includes Items 4, 6 - 26
- 2 - Includes Items 5 - 26
- 23 - Includes Items 24, 25



Ref Brk 16

When ordering parts, please specify the model and serial number of the product.

* Indicates a component that is not available as an individual part.

G** Indicates consult Customer Service Department for additional information.

ITEM	PART NO.	1 2 3 4 5	DESCRIPTION	QTY.
1	20938-G1		BRAKE ASSEMBLY, L.H. (INCLUDES ITEMS 4, 6 - 26)	1
2	20938-G2		BRAKE ASSEMBLY, R.H. (INCLUDES ITEMS 5 - 26).....	1
3				
4	22519-G1		BACKING PLATE, L.H.	1
5	22518-G1		BACKING PLATE, R.H.	1
6	22516-G1		ADJUSTER ASSEMBLY (INCLUDES ITEMS 7 - 9)	1
7	22520-G1		ADJUSTER BODY (INCLUDES ITEMS 8, 9).....	1
8	17287-G1		ADJUSTER BOLT	1
9	17289-G1		PISTON ANCHOR	2
10	00664-G7		LOCK WASHER, 1/4" (STAINLESS STEEL).....	2
11	13632-G1		NUT, 6MM.....	2
12	17294-G1		ADJUSTING BOLT CAP	1
13				
14				
15	22512-G1		ACTUATING LEVER.....	1
16	22513-G1		LEVER PIN	1
17	22514-G1		'U' CLIP	1
18	22515-G1		SLIDING BLOCK	1
19	22511-G1		DUST COVER	1
20				
21	17292-G1		TENSION PIN	2
22	17291-G1		SPRING CLAMP	2
23	23398-G1		BRAKE SHOE SET (INCLUDES ITEMS 24, 25).....	1
24	23355-G1		BRAKE SHOE (LEADING).....	1
25	23355-G2		BRAKE SHOE (TRAILING).....	1
26	17290-G1		BRAKE SPRING	2
27	17083-G1		BOLT, 5/16 - 24 X 3/4" LG	4
28	15126-G1		LOCK NUT, 5/16 - 24	4
29				
30				

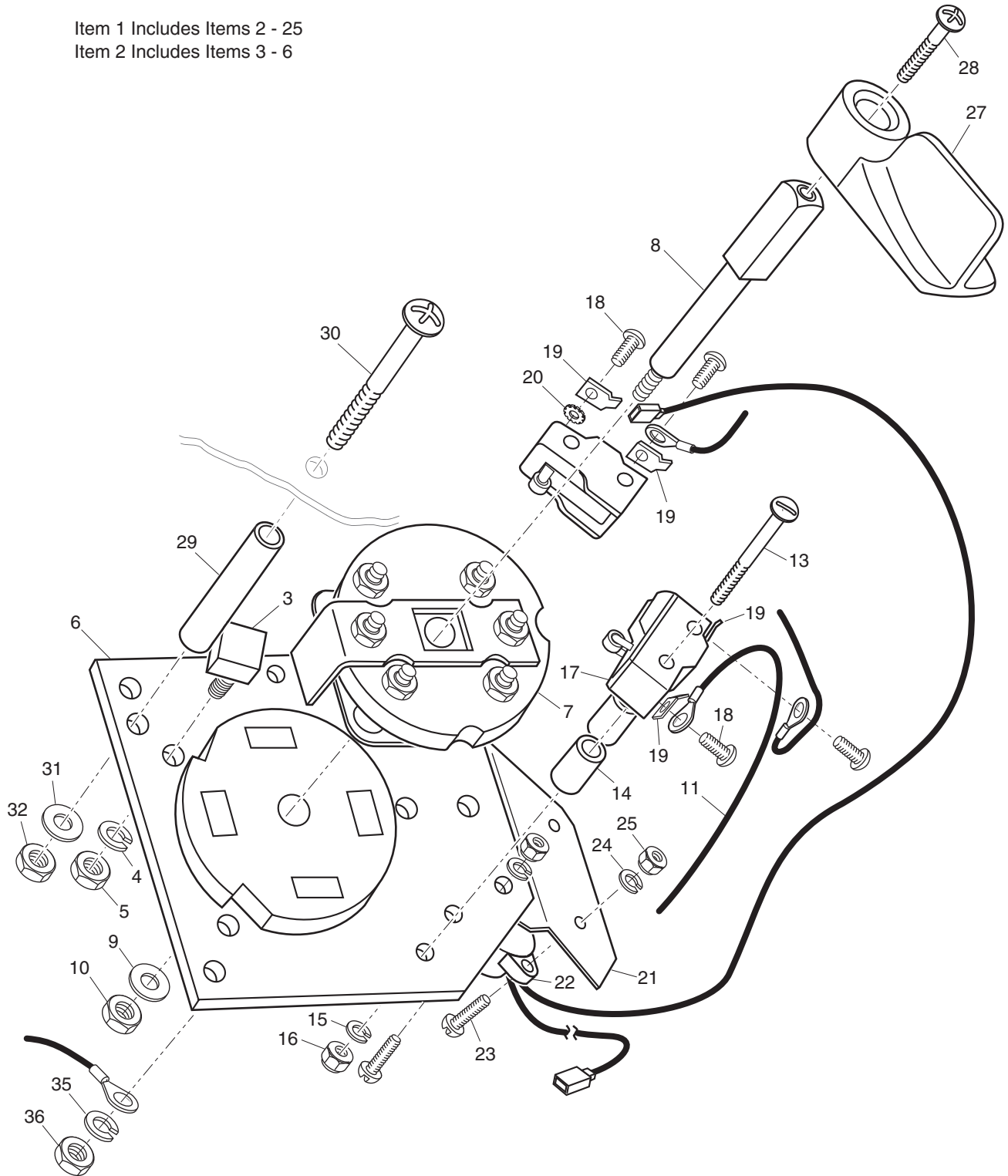
BRAKES

When ordering parts, please specify the model and serial number of the product.
 * Indicates a component that is not available as an individual part.
 G** Indicates consult Customer Service Department for additional information.

ITEM	PART NO.	1 2 3 4 5	DESCRIPTION	QTY.
31	19186-G2		BRAKE DRUM AND HUB ASSEMBLY	1
32				
33	15485-G1		WASHER, 13/16"	2
34	15487-G1		WASHER, 1 3/8" O.D. X 21/32"	2
35	612928		CASTELLATED NUT, 5/8 - 18	2
36	10387-G1		COTTER PIN, 1/8" X 1 1/2" LG	2

DIRECTION SELECTOR

Item 1 Includes Items 2 - 25
Item 2 Includes Items 3 - 6



Ref Dsl 16

DIRECTION SELECTOR

When ordering parts, please specify the model and serial number of the product.

* Indicates a component that is not available as an individual part.

G** Indicates consult Customer Service Department for additional information.

ITEM	PART NO.	1 2 3 4 5	DESCRIPTION	QTY.
1	32042-G2		DIRECTION SELECTOR ASSEMBLY (INCLUDES ITEMS 2 - 25)	1
2	14651-G1		CONTACT BOARD ASSEMBLY (INCLUDES ITEMS 3 - 6).....	1
3	24940-G1		STOP.....	2
4	00565-G7		LOCK WASHER, 1/4" (STAINLESS STEEL)	2
5	00414-G6		NUT, 1/4 - 20.....	2
6	*		BOARD AND CONTACT.....	1
7	12835-G1		CAM.....	1
8	19470-G1		SHAFT	1
9	00560-G1		WASHER, 3/8"	1
10	14390-G1		LOCK NUT, 3/8 - 24.....	1
11	20757-G1		18 GA WIRE (RED, 7 3/4")	1
12				
13	00645-G6		SCREW, #6 - 32 X 1 3/4" LG	4
14	12806-G1		SPACER	4
15	00565-G3		LOCK WASHER, #6	4
16	00525-G5		NUT, #6 - 32	4
17	10606-G2		MICRO SWITCH (HEAVY DUTY)	2
18	13514-G1		SCREW, #6 - 32 X 7/32" LG	4
19	14628-G1		FASTON TAB, 5/16" X 5/16"	3
20	00567-G3		LOCK WASHER, #6	4
21	32043-G1		BUZZER BRACKET.....	1
22	17940-G1		REVERSE WARNING BUZZER	1
23	00138-G4		SCREW, #6 - 32 X 1/2" LG	2
24	00565-G3		LOCK WASHER, #6	4
25	00525-G5		NUT, #6 - 32	4
26				
27	19886-G1		DIRECTION SELECTOR HANDLE.....	1
28	00740-G4		SCREW, #10 - 32 X 1/2" LG (STAINLESS STEEL).....	1
29	30318-G2		SPACER.....	3
30	00753-G7		SCREW, 1/4 - 20 X 2 1/2" LG (STAINLESS STEEL).....	3

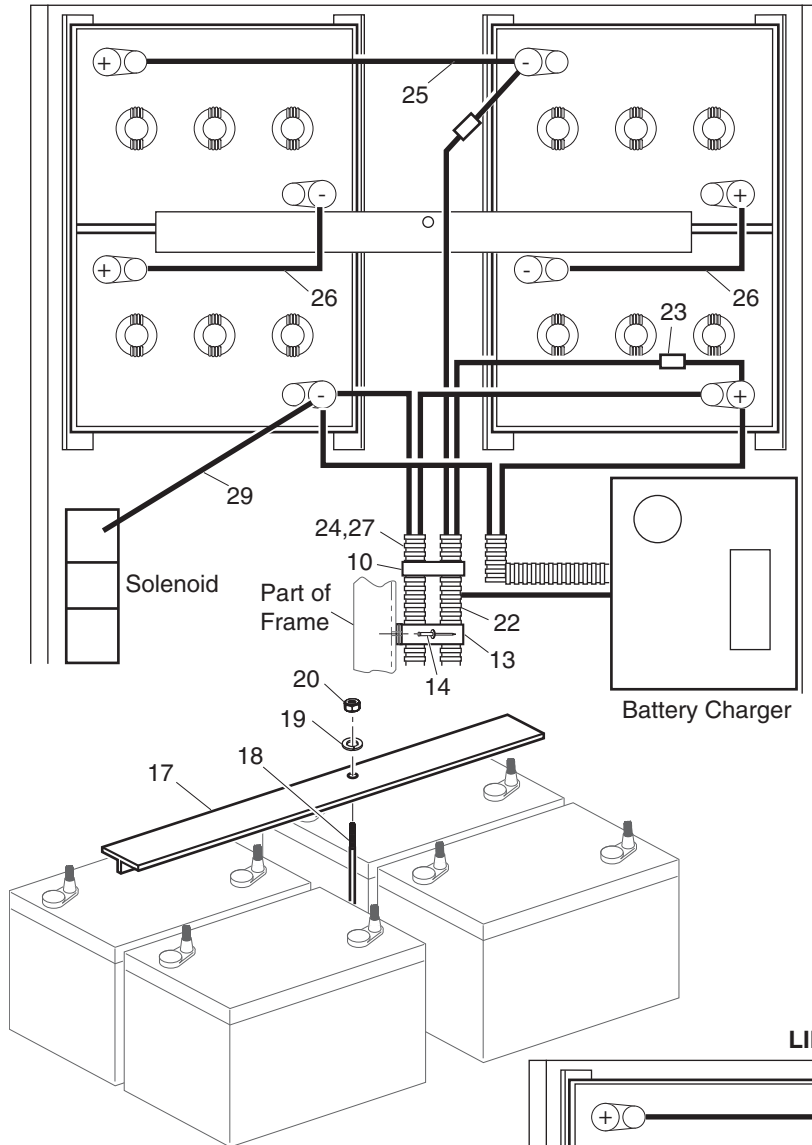
DIRECTION SELECTOR

When ordering parts, please specify the model and serial number of the product.
 * Indicates a component that is not available as an individual part.
 G** Indicates consult Customer Service Department for additional information.

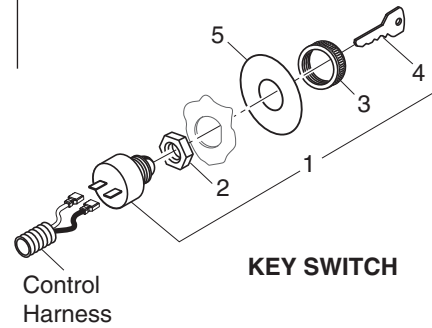
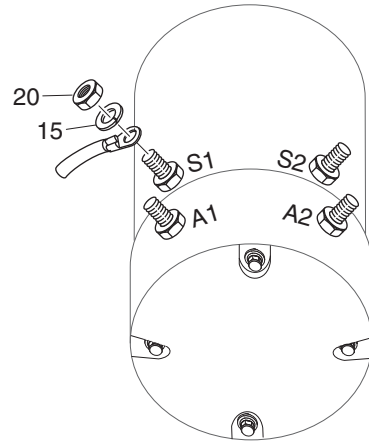
ITEM	PART NO.	1 2 3 4 5	DESCRIPTION	QTY.
31	01110-G01		WASHER, 1/4" (STAINLESS STEEL).....	3
32	00550-G1		LOCK NUT, 1/4 - 20.....	3
33				
34				
35	00565-G8		LOCK WASHER, 5/16".....	4
36	00544-G3		JAM NUT, 5/16 - 18.....	4

ELECTRICAL SYSTEM

ON BOARD BATTERIES

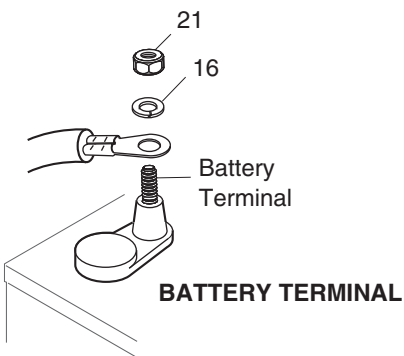


MOTOR TERMINALS



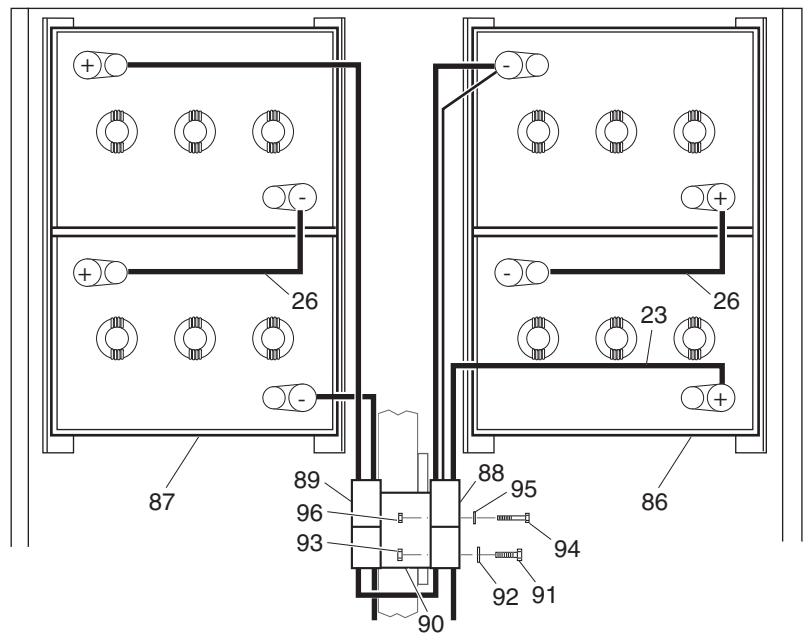
KEY SWITCH

BATTERY HOLD DOWN

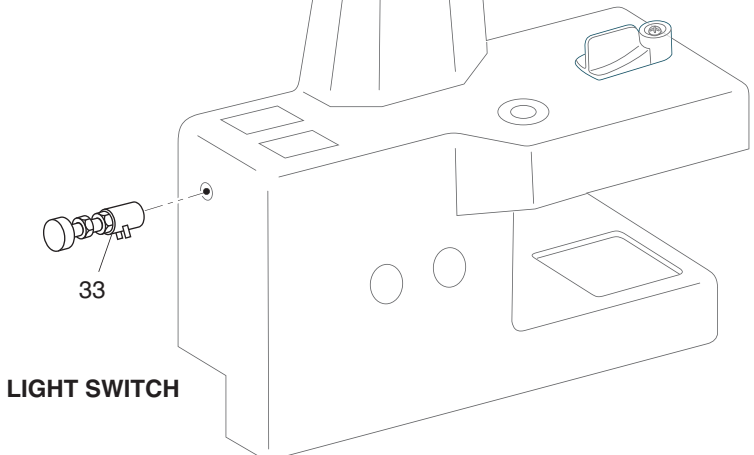


BATTERY TERMINAL

LIFT OUT BATTERIES

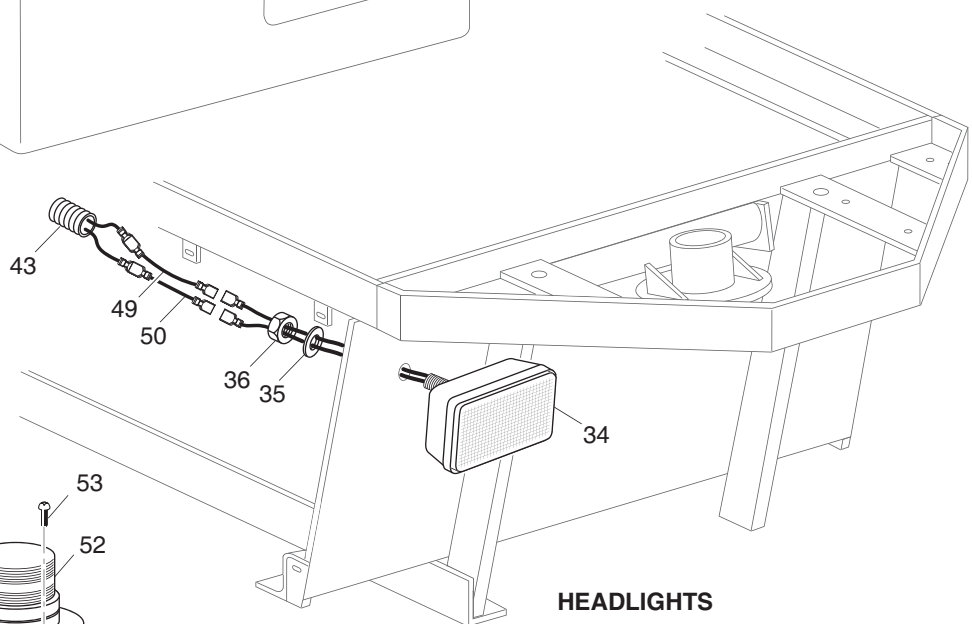


Ref Ele 16-1

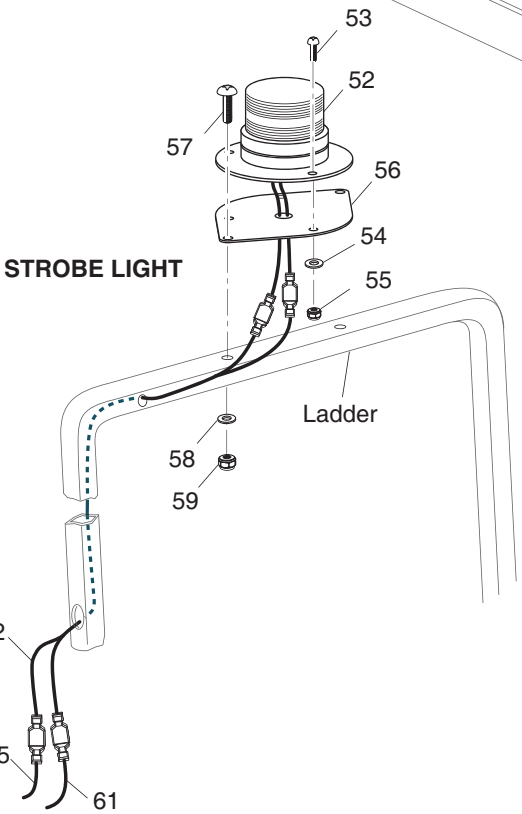


LIGHT SWITCH

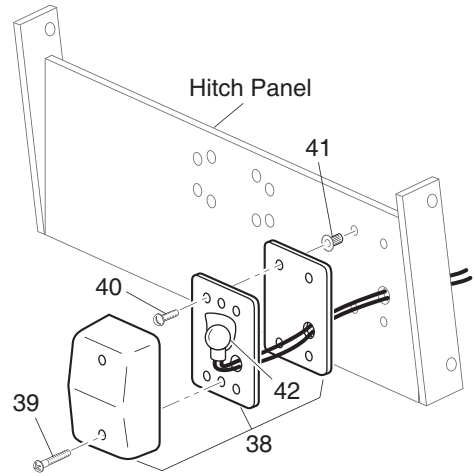
- 31 - Includes Items 33 - 45
- 32 - Includes Items 33 - 50
- 51 - Includes Items 52 - 65



HEADLIGHTS



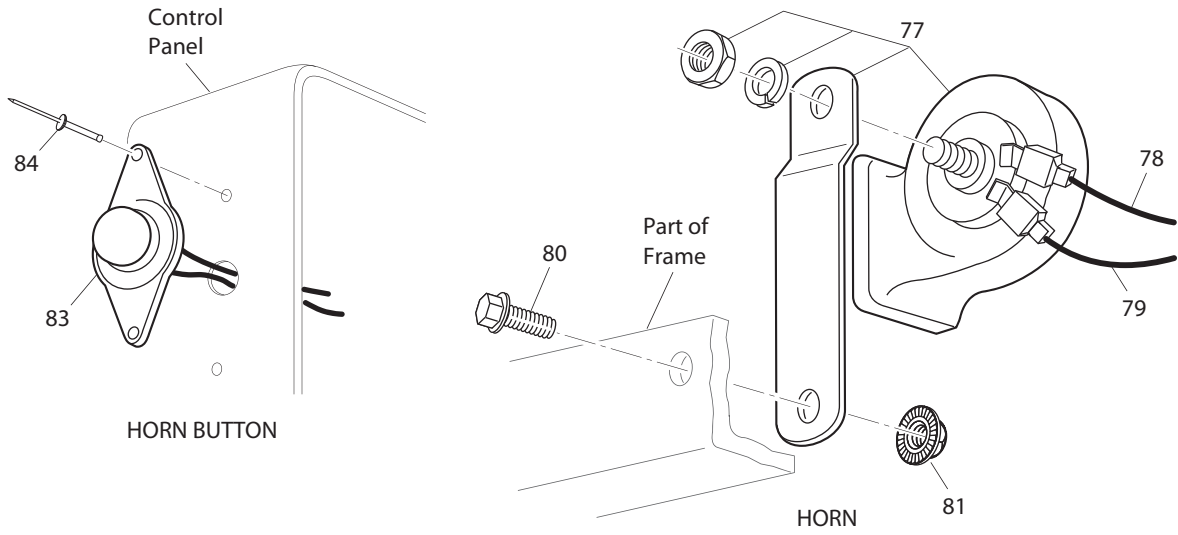
STROBE LIGHT



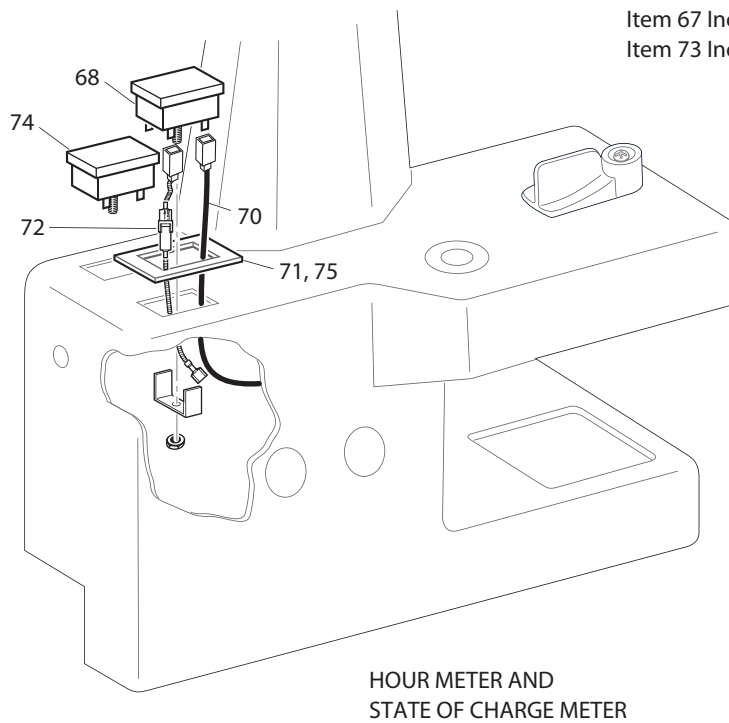
TAILLIGHT

Ref Ele 16-2

ELECTRICAL SYSTEM



Item 67 Includes Items 68 - 71
Item 73 Includes Items 74 - 75



Ref Ele 16-3

ELECTRICAL SYSTEM

When ordering parts, please specify the model and serial number of the product.

* Indicates a component that is not available as an individual part.

G** Indicates consult Customer Service Department for additional information.

ITEM	PART NO.	1 2 3 4 5	DESCRIPTION	QTY.
1	17421-G1		KEY SWITCH (INCLUDES ITEMS 2 - 4)	1
2	*		PAL NUT	1
3	17137-G1		FACE NUT, 3/4 - 20	1
4	17063-G1		IGNITION KEY	1
5	30533-G1		ON/OFF PLATE.....	1
6				
7				
8	31114-G2		CABLE RETAINER.....	3
9	00852-G1		RIVET, 3/16" X 7/16" LG	3
10	17618-G1		WIRE TIE	10
11	20058-G1		WIRE TIE ADHESIVE BASE.....	7
12				
13	11845-G3		INSULATED CABLE CLAMP, 3/4"	2
14	00852-G1		RIVET, 3/16" X 7/16" LG	2
15	00993-G01		LOCK WASHER, 5/16" (SILICON BRONZE).....	4
16	00565-G8		WASHER, 5/16" (SILICON BRONZE).....	8
17	31387-G1		BATTERY HOLD DOWN.....	1
18	30429-G2		BATTERY HOLD DOWN ROD, 5/16 - 18.....	1
19	00642-G8		WASHER, 5/16"	1
20	00532-G3		NUT, 5/16 - 18	4
21	00702-G2		NUT, 5/16 - 18	8
22	32626-G1		CONTROL HARNESS	1
23	18392-G1		FUSE (15 AMP).....	2
24	32615-G1		POWER HARNESS (ON BOARD CHARGER).....	1
25	31178-G1		6 GA WIRE (BLACK, 18 1/4")	1
26	31178-G2		6 GA WIRE (BLACK, 8 3/4")	2
27	32642-G1		POWER HARNESS (PORTABLE CHARGER)	1
28				
29	32684-G1		10 GA WIRE (BLACK, 18 1/2")	1
30				

ELECTRICAL SYSTEM

When ordering parts, please specify the model and serial number of the product.

* Indicates a component that is not available as an individual part.

G** Indicates consult Customer Service Department for additional information.

ITEM	PART NO.	1 2 3 4 5	DESCRIPTION	QTY.
31	32984-G02		LIGHT KIT (INCLUDES ITEMS 33 - 45)	1
32	32984-G03		LIGHT KIT (W/LIFT OUT BATTERIES) (INCLUDES ITEMS 33 - 50)	1
33	18431-G1		LIGHT SWITCH ASSEMBLY	1
34	30394-G1		HEAD LIGHT ASSEMBLY	2
35	00556-G3		LOCK WASHER,	2
36	00533-G1		NUT, 1/2 - 13.....	2
37				
38	22288-G1		TAILLIGHT ASSEMBLY	1
39	00513-G4		SCREW, #8 - 18 X 1 1/2" LG	2
40	00180-G6		SCREW, #10 - 24 X 3/4" LG	4
41	00739-G1		WELL NUT, #10 - 24.....	4
42	21759-G1		LIGHT BULB	1
43	32985-G01		WIRE HARNESS (LIGHTS).....	1
44	20058-G1		WIRE TIE ADHESIVE BASE	4
45	17618-G1		WIRE TIE	12
46				
47	33021-G01		WIRE HARNESS (LIFT OUT BATTERIES)	1
48	17902-G1		TAB ADAPTOR	1
49	33208-G02		16 GA WIRE (WHITE, 6")	2
50	33208-G01		16 GA WIRE (BLACK, 6").....	2
51	33212-G01		STROBE LIGHT KIT (INCLUDES ITEMS 52 - 65).....	1
52	25617-G01		STROBE LIGHT ASSEMBLY	1
53	00156-G4		SCREW, #10 - 32 X 1/2" LG	3
54	00594-G5		LOCK WASHER, #10	3
55	00672-G4		NUT, #10 - 32 (STAINLESS STEEL)	3
56	33201-G01		STROBE MOUNTING BRACKET.....	1
57	00753-G7		SCREW, 1/4 - 20 X 2 1/2" LG (STAINLESS STEEL).....	2
58	00660-G7		WASHER, 1/4" (STAINLESS STEEL).....	2
59	00654-G2		LOCK NUT, 1/4 - 20 (STAINLESS STEEL).....	2
60	17902-G1		TAB ADAPTER	1

ELECTRICAL SYSTEM

When ordering parts, please specify the model and serial number of the product.

* Indicates a component that is not available as an individual part.

G** Indicates consult Customer Service Department for additional information.

ITEM	PART NO.	1	2	3	4	5	DESCRIPTION	QTY.
61	25615-G01						16 GA WIRE (RED, 41")	1
62	25616-G01						16 GA WIRE (GRAY, 83")	1
63	22594-G1						FUSE HOLDER	1
64	17618-G1						WIRE TIE	9
65	33203-G01						16 GA WIRE (GRAY, 48")	1
66								
67	33587-G01						STATE OF CHARGE METER ASSEMBLY (INCLUDES ITEMS 68 - 71)	1
68	33636-G02						STATE OF CHARGE METER (24 VOLT)	1
69	17902-G1						TAB ADAPTER	1
70	25978-G62						18 GA WIRE (RED, 12")	1
71	28178-G01						MOUNTING PLATE	1
72	609067						SOC FUSE HARNESS	1
73	33586-G01						HOUR METER ASSEMBLY (INCLUDES ITEMS 74 - 75)	1
74	33633-G01						HOUR METER (18 - 60 VDC).....	1
75	28178-G01						MOUNTING PLATE	1
76								
77	32860-G1						HORN ASSEMBLY	1
78	25978-G91						18 GA WIRE (ORANGE, 12").....	1
79	35111G01						18 GA WIRE (YELLOW/RED, 12").....	1
80	00661-G8						BOLT, 1/4 - 20 X 1" LG (STAINLESS STEEL).....	1
81	14390-G4						LOCK NUT, 1/4 - 20	1
82								
83	20948-G1						HORN SWITCH.....	1
84	14601-G8						RIVET, 3/16" X 7/16" LG (ALUMINUM).....	2
85								
86	32660-G1						LIFT OUT BATTERY ASSEMBLY (RIGHT)	1
87	32660-G2						LIFT OUT BATTERY ASSEMBLY (LEFT).....	1
88	32662-G1						CHARGER CONNECTOR (LIFT OUT BATTERY) (RH).....	1
89	32590-G1						CHARGER CONNECTOR (LIFT OUT BATTERY) (LH).....	1
90	32561-G1						BATTERY CONNECTOR BRACKET	1

ELECTRICAL SYSTEM

When ordering parts, please specify the model and serial number of the product.

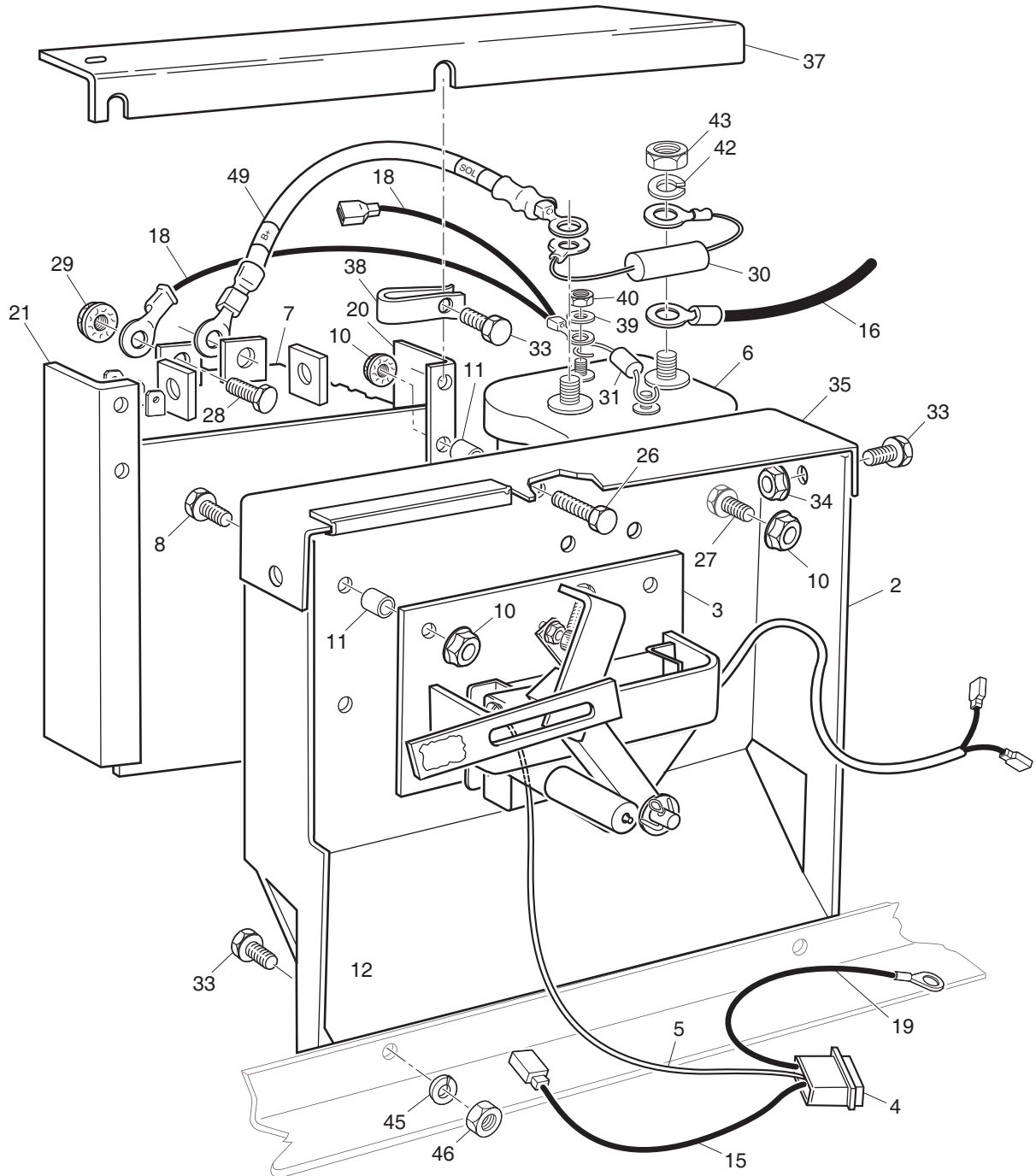
* Indicates a component that is not available as an individual part.

G** Indicates consult Customer Service Department for additional information.

ITEM	PART NO.	1 2 3 4 5	DESCRIPTION	QTY.
91	00438-G6		BOLT, 5/16 - 18 X 3/4" LG	2
92	00565-G8		LOCK WASHER, 5/16"	2
93	00532-G3		NUT, 5/16 - 18	2
94	00415-G4		BOLT, 1/4 - 20 X 1 1/2" LG	6
95	00554-G7		WASHER, 1/4"	6
96	14390-G4		NUT, 1/4 - 20	6

ELECTRONIC SPEED CONTROL

Item 1 Includes Items 2 - 31



Ref Esc 16

ELECTRONIC SPEED CONTROL

When ordering parts, please specify the model and serial number of the product.

* Indicates a component that is not available as an individual part.

G** Indicates consult Customer Service Department for additional information.

ITEM	PART NO.	1	2	3	4	5	DESCRIPTION	QTY.
1	32568-G1						SPEED CONTROLLER ASSEMBLY (INCLUDES ITEMS 2 - 31)	1
2	32558-G1						SPEED CONTROL BRACKET	1
3	32636-G1						POTENTIOMETER SUPPORT	1
4	24002-G1						FOUR PIN CONNECTOR (FEMALE)	1
5	32630-G1						16 GA WIRE (WHITE/RED, 22 3/4")	1
6	20468-G3						HEAVY DUTY SOLENOID (24 VOLT).....	1
7	20972-G1						SPEED CONTROLLER	1
8	00414-G6						BOLT, 1/4 - 20 X 3/4" LG	3
9								
10	11027-G2						LOCK NUT, 1/4 - 20.....	9
11	23726-G1						SPACER, 1/4"	4
12								
13								
14								
15	32632-G1						16 GA WIRE (BLUE, 18 3/4")	1
16	32684-G1						10 GA WIRE (BLACK, 18 1/2")	1
17	25972-G83						6 GA WIRE (BLACK, 6 3/4")	1
18	32627-G1						16 GA WIRE (BLACK, 18")	1
19	32631-G1						16 GA WIRE (RED/WHITE, 8 1/2")	1
20	32620-G1						ANGLE SHIELD, RH.....	1
21	32620-G2						ANGLE SHIELD, LH	1
22								
23								
24								
25								
26	00414-G7						BOLT, 1/4 - 20 X 7/8" LG	4
27	00414-G4						BOLT, 1/4 - 20 X 1/2" LG	2
28	00438-G6						BOLT, 5/16 - 18 X 5/8" LG	4
29	11027-G1						LOCK NUT, 5/16 - 18.....	4
30	21764-G1						RESISTOR.....	1

ELECTRONIC SPEED CONTROL

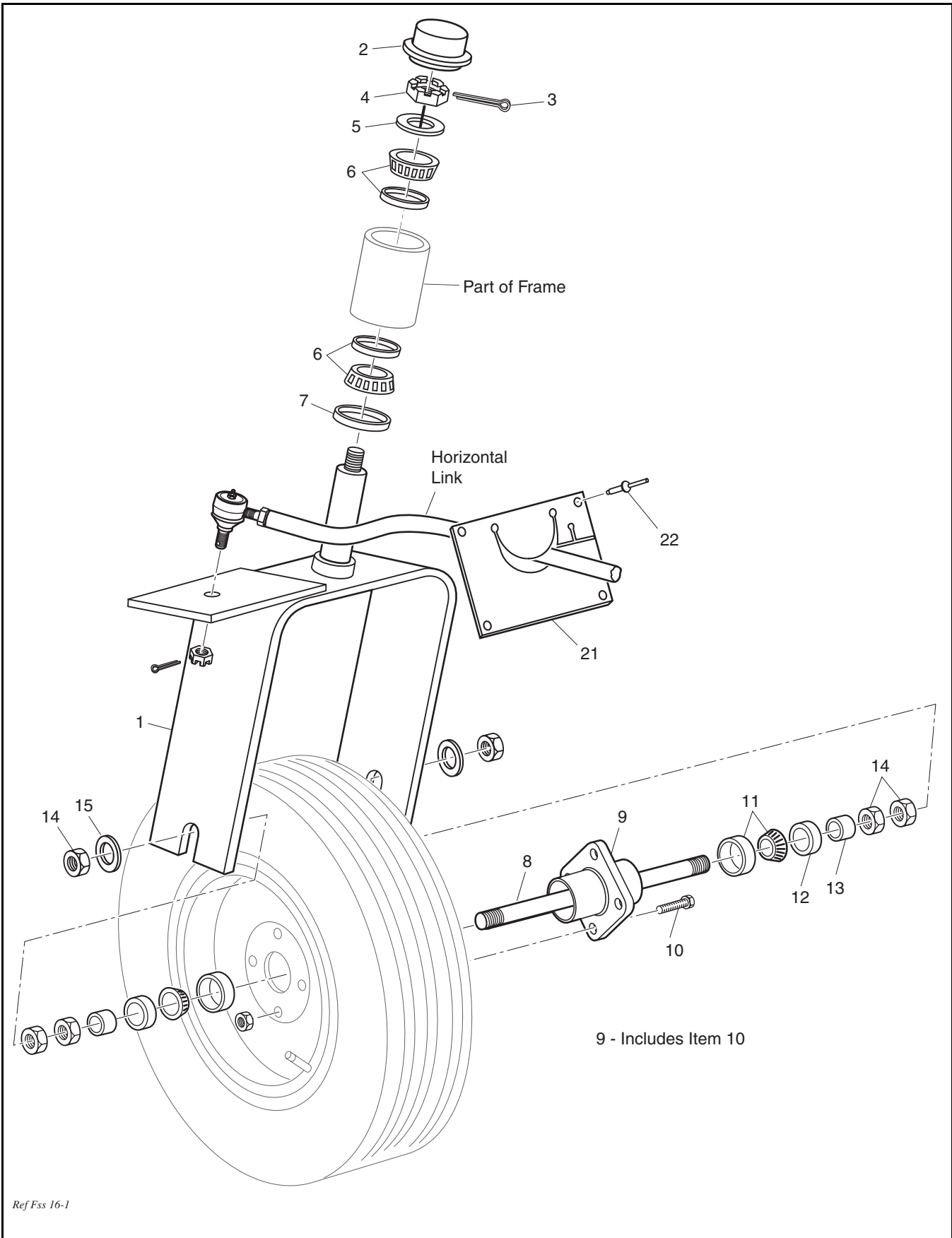
When ordering parts, please specify the model and serial number of the product.

* Indicates a component that is not available as an individual part.

G** Indicates consult Customer Service Department for additional information.

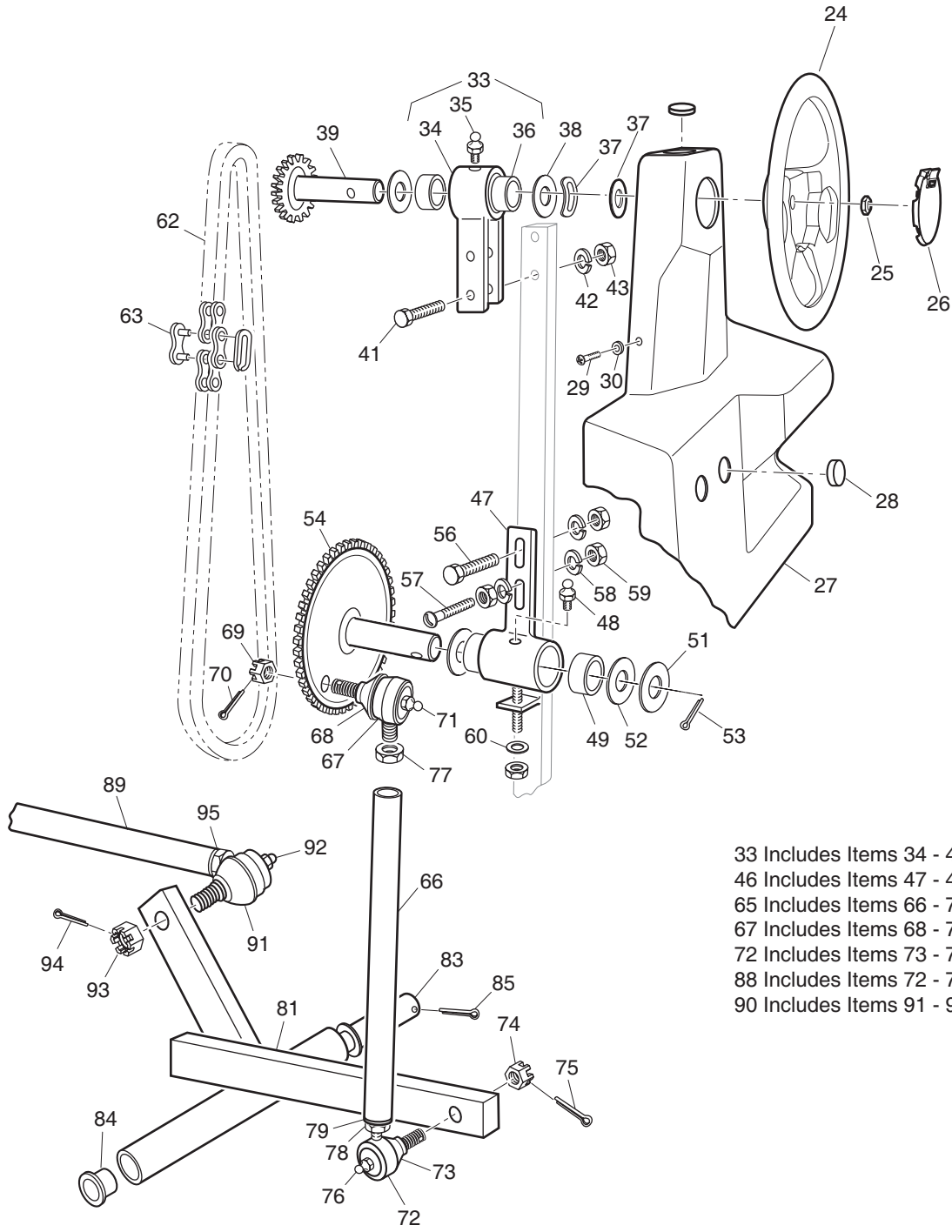
ITEM	PART NO.	1 2 3 4 5	DESCRIPTION	QTY.
31	30353-G1		DIODE, 3 AMP.....	1
32				
33	00661-G8		BOLT, 1/4 - 20 X 1" LG (STAINLESS STEEL).....	6
34	11027-G2		LOCK NUT, 1/4 - 20.....	2
35	32618-G1		LINKAGE SHIELD.....	1
36				
37	32619-G1		SPEED CONTROL COVER.....	1
38	00709-G1		'U' NUT, 1/4 - 20.....	2
39	00565-G5		LOCK WASHER, #10.....	2
40	00526-G4		NUT, #10 - 32.....	2
41				
42	00565-G8		LOCK WASHER, 5/16".....	2
43	00532-G3		JAM NUT, 5/16 - 24.....	2
44				
45	23726-G1		WASHER, 1/4" (STAINLESS STEEL).....	1
46	11027-G2		LOCK NUT, 1/4 - 20.....	1
47				
48	25949-G01		VARISTOR MOV.....	1
49	25972-G83		6 GA WIRE (BLACK, 9").....	1
50	25977-G85		16 GA WIRE (BLUE, 23").....	1

FRONT FORK AND STEERING



Ref Fss 16-1

FRONT FORK AND STEERING



- 33 Includes Items 34 - 40
- 46 Includes Items 47 - 49
- 65 Includes Items 66 - 78
- 67 Includes Items 68 - 71
- 72 Includes Items 73 - 76
- 88 Includes Items 72 - 77, 89 - 95
- 90 Includes Items 91 - 94

Ref Fss 16-2

FRONT FORK AND STEERING

When ordering parts, please specify the model and serial number of the product.

* Indicates a component that is not available as an individual part.

G** Indicates consult Customer Service Department for additional information.

ITEM	PART NO.	1 2 3 4 5	DESCRIPTION	QTY.
1	30905-G1		FRONT FORK	1
2	30146-G1		DUST CAP	1
3	10387-G5		COTTER PIN, 3/32" X 1 1/4" LG	1
4	00536-G8		CASTELLATED NUT, 3/4 - 16	1
5	00571-G8		WASHER, 3/4"	1
6	50892-G1		BEARNG AND RACE ASSEMBLY (COMPLETE)	1
7	12092-G1		GREASE SEAL	1
8	10223-G7		FRONT AXLE	1
9	19888-G1		HUB (INCLUDES ITEM 10)	1
10	19862-G1		LUG BOLT, 1/2 - 20 X 1 3/16" LG	4
11	50908-G1		BEARING AND RACE	2
12	19471-G1		GREASE SEAL	2
13	11655-G2		AXLE SPACER	2
14	00667-G8		JAM NUT, 3/4 - 16 (STAINLESS STEEL)	6
15	00571-G8		WASHER, 3/4"	3
16				
17				
18				
19				
20				
21	30878-G1		SPLASH SHIELD	1
22	14269-G1		RIVET, 3/16" X 1/2" LG	4
23				
24	71948-G01		STEERING WHEEL	1
25	14390-G2		LOCK NUT, 5/8 - 18	1
26	75910-G01		CLIP BOARD	1
27	33175-G**		CONTROL PANEL COVER	1
28	34507-G01		HOLE PLUG	3
29	00102-G6		SCREW, #8 - 18 X 3/4" LG	11
30	00559-G4		WASHER, #8	11

FRONT FORK AND STEERING

When ordering parts, please specify the model and serial number of the product.

* Indicates a component that is not available as an individual part.

G** Indicates consult Customer Service Department for additional information.

ITEM	PART NO.	1 2 3 4 5	DESCRIPTION	QTY.
31				
32				
33	31922-G1		UPPER FIXED HUB ASSEMBLY (INCLUDES ITEMS 34 - 40).....	1
34	30866-G1		UPPER HUB (FIXED)	1
35	10389-G3		GREASE FITTING, STRAIGHT	1
36	30154-G1		BUSHING.....	2
37	00731-G1		SPRING WASHER	1
38	30156-G1		THRUST WASHER, 3/4"	2
39	71897-G01		SPROCKET AND SHAFT (UPPER)	1
40				
41	00271-G8		BOLT, 5/16 - 18 X 2" LG	2
42	00565-G8		LOCK WASHER, 5/16".....	2
43	00532-G3		NUT, 5/16 - 18.....	2
44				
45				
46	31921-G1		HUB ASSEMBLY (LOWER, SLIDING) (INCLUDES ITEMS 47 - 49).....	1
47	30869-G1		HUB (LOWER, SLIDING)	1
48	18456-G1		GREASE FITTING, 90°	1
49	30154-G1		BUSHING.....	2
50				
51	00571-G8		WASHER, 3/4.....	1
52	30156-G1		THRUST WASHER, 3/4"	2
53	10387-G9		COTTER PIN, 1/8" X 1 1/4" LG	2
54	30861-G1		SPROCKET AND SHAFT (LOWER).....	1
55				
56	00271-G8		BOLT, 5/16 - 18 X 2" LG	1
57	00743-G1		SCREW, 5/16 - 18 X 3 1/2" LG	1
58	00565-G8		LOCK WASHER, 5/16".....	3
59	00532-G3		NUT, 5/16 - 18.....	4
60	00565G8		LOCK WASHER, 5/16".....	1

FRONT FORK AND STEERING

When ordering parts, please specify the model and serial number of the product.

* Indicates a component that is not available as an individual part.

G** Indicates consult Customer Service Department for additional information.

ITEM	PART NO.	1 2 3 4 5	DESCRIPTION	QTY.
61				
62	30870-G1		CHAIN, ROLLER.....	1
63	30871-G1		MASTER LINK	1
64				
65	30420-G1		VERTICAL LINK ASSEMBLY (INCLUDES ITEMS 66 - 78).....	1
66	30873-G1		VERTICAL LINK	1
67	27205-G02		TIE ROD END, RH THREAD (INCLUDES ITEMS 68 - 71)	1
68	50641-G1		RUBBER BOOT	1
69	50209-G2		CASTELLATED NUT, 7/16 - 20	1
70	10387-G1		COTTER PIN, 1/8" X 1 1/2" LG.....	1
71	10389-G3		GREASE FITTING, STRAIGHT.....	1
72	27205-G01		TIE ROD END, LH THREAD (INCLUDES ITEMS 73 - 76).....	1
73	50641-G1		RUBBER BOOT	1
74	50209-G2		CASTELLATED NUT, 7/16 - 20	1
75	10387-G1		COTTER PIN, 1/8 X 1 1/2" LG	1
76	10389-G3		GREASE FITTING, STRAIGHT.....	1
77	18434-G3		JAM NUT, 9/16 - 18 (LEFT HAND THREADS).....	1
78	18434-G4		JAM NUT, 9/16 - 18 (RIGHT HAND THREADS)	1
79				
80				
81	30874-G1		BELLCRANK.....	1
82				
83	30772-G2		PIVOT SHAFT, 8".....	1
84	70581-G01		BUSHING	2
85	10387-G9		COTTER PIN, 1/8" X 1 1/4" LG.....	1
86				
87				
88	30419-G1		HORIZONTAL LINKAGE ASSEMBLY (INCLUDES ITEMS 72 -77, 89 - 95)	1
89	30872-G1		HORIZONTAL LINK.....	1
90	27205-G02		TIE ROD END, RH THREAD (INCLUDES ITEMS 91 - 94)	1

FRONT FORK AND STEERING

When ordering parts, please specify the model and serial number of the product.

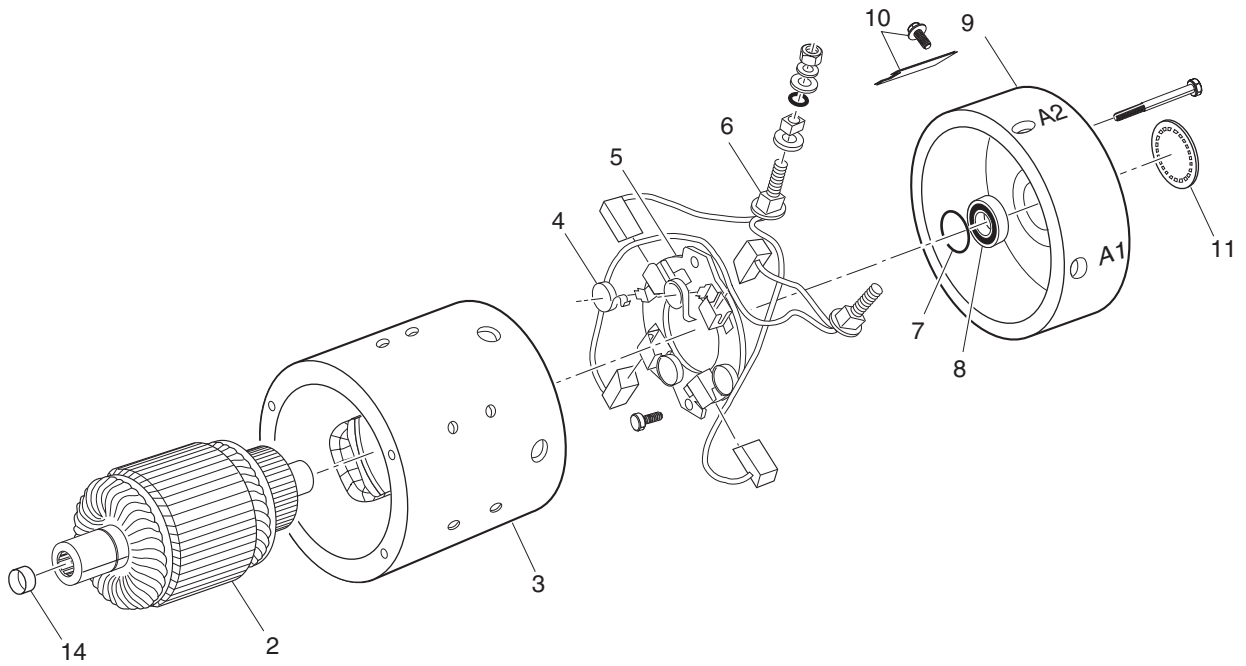
* Indicates a component that is not available as an individual part.

G** Indicates consult Customer Service Department for additional information.

ITEM	PART NO.	1 2 3 4 5	DESCRIPTION	QTY.
91	50641-G1		RUBBER BOOT	1
92	10389-G3		GREASE FITTING, STRAIGHT	1
93	50209-G2		CASTELLATED NUT, 7/16 - 20	1
94	10387-G1		COTTER PIN, 1/8" X 1 1/2" LG	1
95	18434-G4		JAM NUT, 9/16 - 18 (RIGHT HAND THREAD).....	1

MOTOR

1 - Includes Items 2 - 11

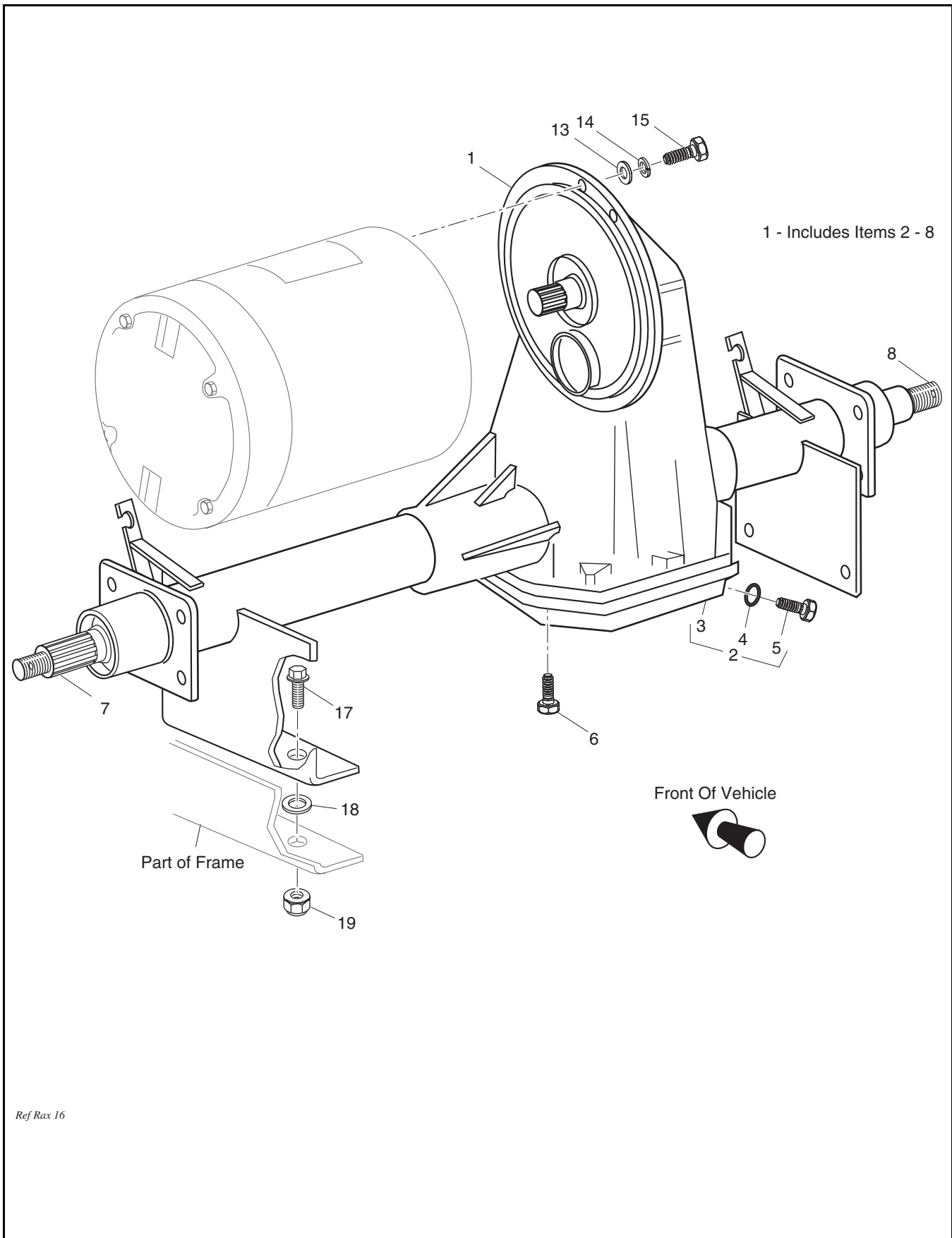


Ref Mtr 16

When ordering parts, please specify the model and serial number of the product.
 * Indicates a component that is not available as an individual part.
 G** Indicates consult Customer Service Department for additional information.

ITEM	PART NO.	1 2 3 4 5	DESCRIPTION	QTY.
1	73445-G01		MOTOR, FLEET SPEED, NON-VENTED (INCLUDES ITEMS 2 - 11)	1
2	73120-G01		ARMATURE	1
3	73120-G29		FRAME AND FIELD COIL (INCLUDES HARDWARE).....	1
4	73120-G03		BRUSH SPRING.....	4
5	73120-G15		BRUSH PLATE AND BOX.....	1
6	73120-G25		BRUSH REPLACEMENT KIT (INCLUDES HARDWARE)	1
7	73120-G06		SNAP RING	1
8	73120-G07		BEARING.....	1
9	73120-G08		COVER COMMUTATOR END	1
10	73120-G09		COVER PLATE AND SCREW.....	1
11	73120-G16		CAP.....	1
12				
13				
14	24261-G1		BUMPER SPLINE.....	1

REAR AXLE



Ref Rax 16

REAR AXLE

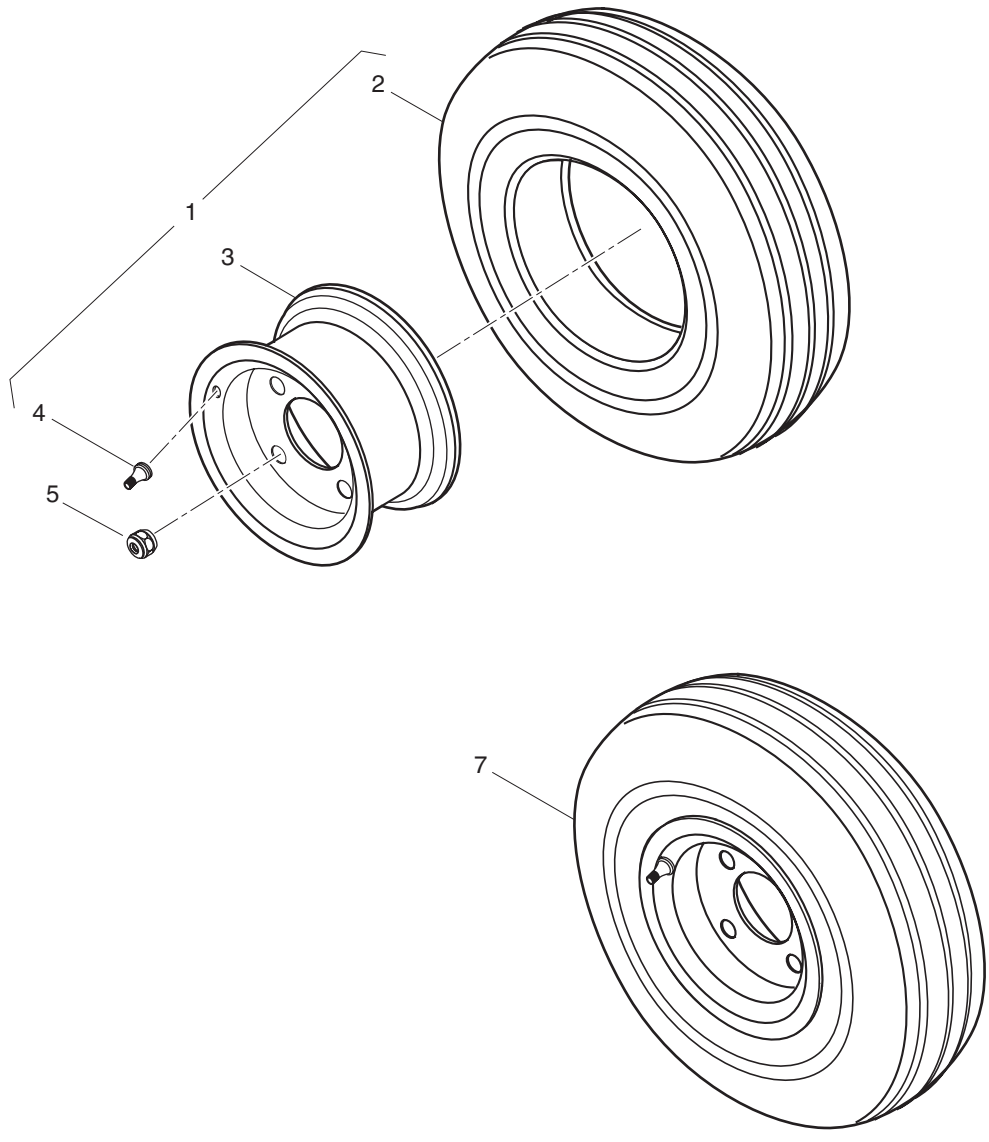
When ordering parts, please specify the model and serial number of the product.

* Indicates a component that is not available as an individual part.

G** Indicates consult Customer Service Department for additional information.

ITEM	PART NO.	1 2 3 4 5	DESCRIPTION	QTY.
1	36015-G01		REAR AXLE ASSEMBLY (INCLUDES ITEMS 2 - 8)	1
2	28584-G01		DIFFERENTIAL COVER ASSEMBLY (INCLUDES ITEMS 3 - 5)	1
3	28583-G01		DIFFERENTIAL COVER	1
4	28582-G01		O-RING	1
5	28581-G01		FILL/CHECK PLUG	1
6	15558-G1		BOLT, 5/16 - 18 X 3/4" LG	10
7	20377-G5		AXLE SHAFT (LEFT SIDE)	1
8	20377-G6		AXLE SHAFT (RIGHT SIDE)	1
9				
10				
11				
12				
13	00559-G7		WASHER, 1/4" (STAINLESS STEEL)	3
14	00565-G7		LOCK WASHER, 1/4" (STAINLESS STEEL)	3
15	00797-G2		BOLT, 1/4 - 20 X 1 1/4" LG	3
16				
17	00427-G2		BOLT, 3/8 - 16 X 1 1/4" LG	4
18	00643-G1		WASHER, 3/8"	4
19	11098-G5		NUT, 3/8 - 16	4

WHEELS AND TIRES



Ref Whl 16

WHEELS AND TIRES

When ordering parts, please specify the model and serial number of the product.
 * Indicates a component that is not available as an individual part.
 G** Indicates consult Customer Service Department for additional information.

ITEM	PART NO.	1 2 3 4 5	DESCRIPTION	QTY.
1	600424		TIRE AND WHEEL ASSEMBLY (INCLUDES ITEMS 2 - 4).....	3
2	*		TIRE, 4.80 - 8.....	1
3	33678		WHEEL RIM, 4 LUG	1
4	886735		VALVE STEM	1
5	14723-G1		LUG NUT, 1/2 - 20	4
6				
7	600450		TIRE AND WHEEL ASSEMBLY (4.8 - 8 FOAM FILLED)	3



A Textron Company



E-Z-GO Division of Textron, Inc.,
1451 Marvin Griffin Road, Augusta, Georgia USA 30906-3852

TO CONTACT US...

North America:

**Technical Assistance & Warranty
Service Parts**

Phone: 1-800-774-3946, FAX: 1-800-448-8124

Phone: 1-888-GET-E-Z-GO (1-888-438-3946), FAX: 1-800-752-6175

International:

Phone: 001-706-798-4311, FAX: 001-706-771-4609

Certified ISO 9001 / ISO 14001 by



Copyrighted Material
This manual may not be reproduced in whole or
in part without the express permission of
E-Z-GO Division of Textron, Inc.
Technical Communications Department