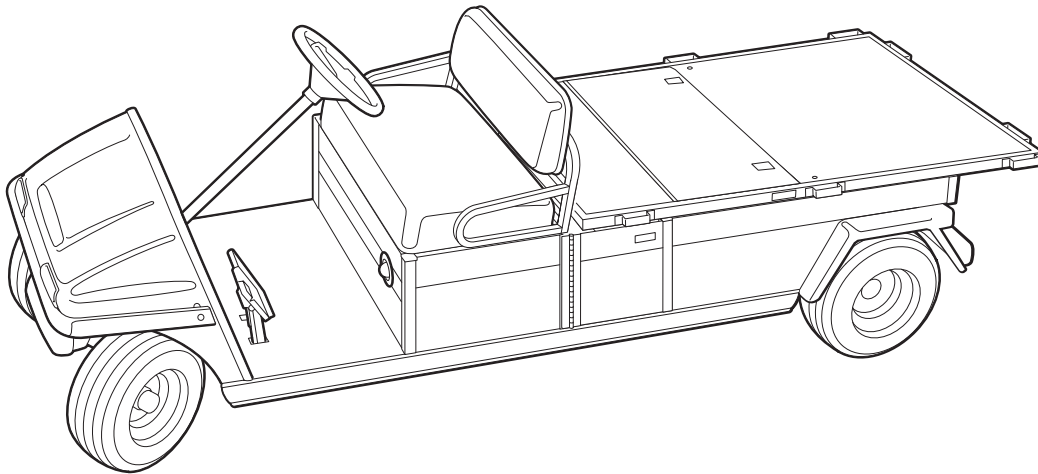




**2009-2011
Turf/Carryall 6 Vehicles
Illustrated Parts List**



Gasoline and Electric Vehicles

Manual Number 103472610
Edition Code 0508F1211E

USING THE ILLUSTRATED PARTS LIST

⚠ WARNING

- **This manual is to be used only for identification and ordering of service parts. Be sure to read and use the maintenance and service manual before attempting any vehicle repairs.**

This manual covers all Turf/Carryall 6 vehicles built during the 2009-2011 model years.

The manual is divided into sections. Note that there are two or three flags on the outside edge of each page. The first flag contains the section number of which that page is a part. The other flag (or flags) contains the letter G or E, signifying that the page pertains to the electric or gasoline vehicles only.

Use the Table of Contents to find the sections and pages that contain the parts and assemblies you seek. The Table of Contents lists section numbers, and under them, the individual page titles and numbers to be found in that section. The index can be used to find specific parts and assemblies. The index is divided into numerical and alphabetical listings with the page numbers in italic text.

There is a two-page spread for each individual page title in the Table of Contents. On the left-hand page is an illustration showing the parts in their relative positions; the parts are each tagged with an item number in a balloon. The right-hand page is the parts list page, and gives the page title at the top, then the item numbers (corresponding to the numbers on the illustration), part descriptions, and quantity of parts used.

Note that a part description may be indented. This indention corresponds to a parts assembly level indicated by the numbers 1, 2, 3, and 4 at the top left corner of the parts description area of the parts list page. A part that is indented to *level 2* is a component of the *level 1* part (assembly) that it is listed under. A *level 3* part is a component of the *level 2* part that it is listed under, and a *level 4* part is a component of the *level 3* part preceding it. In each case, the part quantity given for a level 2, 3, or 4 part is the *quantity used per next higher level assembly of which it is a component*. A part that is not indented is a *level 1* part. This means that the quantity given is the quantity used per the portion of the vehicle illustrated on that particular spread.

HOW TO ORDER PARTS

Replacement parts and accessories can be obtained from our network of authorized dealers and distributors. You can obtain the name and phone number of your closest authorized Club Car dealer or distributor by visiting our web site at www.clubcar.com and clicking on the "Distributor Search" link or by calling our toll-free Service Parts and Technical Assistance hotline at (800) 872-2246 or (706) 863-3000, extension 3887.



P. O. Box 204658
Augusta, Georgia 30917-4658 USA
Telephone 706-863-3000
Service Parts Fax 706-855-7413
www.clubcar.com

NOTE: *This illustrated parts list represents the most current information at the time of publication. Club Car, LLC. is continually working to further improve its vehicles and other products. These improvements may affect the parts used to service the vehicle. Any modification and/or significant change in specifications will be forwarded to all Club Car and Carryall distributors/dealers and will, when applicable, appear in future editions of this illustrated parts list.*

Club Car, LLC. reserves the right to change specifications and designs at any time without notice and without the obligation of making changes to units previously sold.

Copyright © 2010 Club Car, LLC.
Club Car and *ArmorFlex*
are registered trademarks of Club Car, LLC.
This manual effective October 1, 2010.

2009-2011 Turf/Carryall 6 Vehicles Illustrated Parts List

CONTENTS

SECTION 1 – BODY AND TRIM

Front Body and Trim	1-3
Dash Pockets and Floormat	1-5
Beverage Holder	1-7
Seat Bottom	1-9
Seat Back Assembly	1-11
Hip Restraints and Seat Back Mounting	1-13
Flat Bed – Turf/Carryall 6	1-15
Side Doors	1-17
Flat Bed	1-19
Flat Bed Mounting	1-21
Rear Body Trim	1-23

SECTION 2 – WHEELS AND TIRES

Wheels and Tires	2-3
------------------------	-----

SECTION 3 – DECALS

Decals – Electric Carryall 6	3-3
Decals – Electric Carryall 6, Continued	3-5
Decals – Gasoline Turf/Carryall 6	3-7
Decals – Gasoline Turf/Carryall 6, Continued	3-9
Badging Decals, Carryall 6 – Electric Vehicles	3-11
Badging Decals, Carryall 6 – Gasoline Vehicles	3-13
Badging Decals, Turf 6 – Gasoline Vehicles	3-15

SECTION 4 – BRAKES, PEDAL, AND CABLE ASSEMBLIES

Rear Brake Assembly, Manually-Adjusted – Vehicles with 4-Wheel Brakes	4-3
Brake Pedal Assembly – Gasoline Vehicles	4-5
Brake Pedal Assembly – IQ Plus Carryall 6 Vehicles	4-7
Front Brake Assembly – Vehicles with Four-Wheel Brakes	4-9
Front Brake Cables and Equalizer – Vehicles with Four-Wheel Brakes	4-11
Front Brake Cable Clips and Hardware – Gasoline Vehicles	4-13
Front Brake Cable Clips – IQ Plus Carryall 6 Vehicles	4-15
Rear Brake Cables and Equalizer	4-17
Accelerator Pedal Assembly – Gasoline Vehicle	4-19
Accelerator Pedal Assembly – Electric Vehicles with MCOR	4-21
Accelerator Rod – Gasoline Vehicles	4-23

CONTENTS

SECTION 5 – STEERING, FRONT AND REAR SUSPENSION

Steering Column	5-3
Steering Wheel – Turf Vehicles	5-5
Steering Wheel – Carryall Vehicles	5-7
Steering Gear Assembly	5-9
Front Suspension, Upper	5-11
Front Suspension, Lower – Standard Gasoline Vehicle	5-13
Front Suspension, Lower – Electric and Heavy Duty Gasoline Vehicles	5-15
Front Spindles and Hubs – Vehicles with Four-Wheel Brakes	5-17
Steering Gear Assembly	5-19
Rear Suspension – Turf/Carryall 6 Gasoline with Stabilizer Bar	5-21
Rear Suspension – Carryall 6 IQ Plus Vehicles	5-23
Stabilizer Bar – Turf/Carryall 6 Gasoline Vehicles	5-25

SECTION 6 – ELECTRICAL SYSTEM – GASOLINE VEHICLE

Wiring – Gasoline Carryall 6	6-5
Wiring – Turf 6 Gasoline	6-9
Headlight and Horn Electrical Components	6-11
Headlights	6-13
Electrical Component Box – Carryall 6	6-15
Instrument Panel and Electrical Components – Carryall 6	6-17
Instrument Panel and Electrical Components – Turf 6	6-19
Electrical Component Box – Turf 6	6-21
Horn and Brake Switches	6-23
Starter/Generator Assembly Model G425419 – Gasoline Vehicles	6-25
FE350 Starter/Generator Mounting – Gasoline Vehicles	6-27
Battery – Gasoline Vehicle	6-29
Electrical Components, Rear Body – Gasoline Turf/Carryall 6	6-31
Operation and Maintenance Switch	6-33

SECTION 7 – FE350 ENGINE – S27

FE350 Engine – Oil Circulation	7-3
FE350 Engine without ACR (Automatic Compression Release) – Shrouds and Brackets	7-5
AS26 FE350 Engine – Ignition Components and Flywheel	7-7
AS26 FE350 Engine – Cylinder Head	7-9
AS26 FE350 Engine – Crankcase and Crankshaft Oil Sensor	7-11
AS26 FE350 Engine – Crankcase and Crankshaft	7-13
FE350 Engine Mounting	7-15

CONTENTS

SECTION 8 – FE350 ENGINE WITH ACR (CARRYALL 6)

FE350 Engine with ACR (Automatic Compression Release) – Shrouds and Brackets	8-3
AS11 FE350 Engine – Ignition Components and Flywheel	8-5
FE350 Engine – Oil Circulation	8-7
AS11 FE350 Engine – Cylinder Head	8-9
FE350 Engine with ACR – Crankcase, Camshaft, and Oil Sensor	8-11
AS11 FE350 Engine – Crankcase and Crankshaft	8-13
FE350 Engine Mounting	8-15

SECTION 9 – FE350 ENGINE WITHOUT ACR (TURF 6 – PEDAL-START GASOLINE)

AS11 FE350 Engine without ACR (Automatic Compression Release) – Shrouds and Brackets	9-3
AS11 FE350 Engine – Ignition Components and Flywheel	9-5
FE350 Engine – Oil Circulation	9-7
AS11 FE350 Engine – Cylinder Head	9-9
AS11 FE350 Engine without ACR – Crankcase, Camshaft, and Oil Sensor	9-11
AS11 FE350 Engine – Crankcase and Crankshaft	9-13
FE350 Engine Mounting	9-15

SECTION 10 – FUEL, INTAKE, AND GOVERNOR SYSTEMS

Splash Guard	10-3
Fuel Tank (Non-California) with Sending Unit	10-5
Fuel System	10-7
Carburetor Assembly – FE350	10-9
Carburetor Installation – FE350	10-11
Governor and Accelerator Cables	10-13
Air Box and Intake Hose	10-15
Intake System – Turf/Carryall 6	10-17
Fuel Tank (California) with Sending Unit	10-19
Fuel System	10-21
Carburetor Assembly – FE350 S26	10-23
Carburetor Installation – FE350 S27	10-25

SECTION 11 – EXHAUST SYSTEM

Exhaust System – FE350 Engine	11-3
-------------------------------------	------

SECTION 12 – TORQUE CONVERTER

Drive Clutch	12-3
Drive Belt – FE350	12-5

CONTENTS

Driven Clutch	12-7
---------------------	------

SECTION 13 – UNITIZED TRANSAXLE AND FNR SHIFTER - GASOLINE VEHICLES

Transaxle – Gasoline Vehicles, Gear Cases and Brackets	13-3
Transaxle – Gasoline Vehicles, Transmission and Gear Reduction	13-5
Transaxle – Gasoline Vehicles, Differential and Axles	13-7
Forward/Reverse Shifter	13-9
Forward/Reverse Shifter Cable	13-11

SECTION 14 – ELECTRICAL SYSTEM – ELECTRIC VEHICLES

Headlight and Horn Electrical Components	14-3
Wiring – IQ Plus Electric Carryall 6	14-7
Headlights	14-9
Instrument Panel with Electrical Components	14-11
Horn and Brake Switches	14-13
Motor Controller Output Regulator (MCOR)	14-15
Electrical Components – IQ Plus Carryall 6	14-17
Electrical Installation – Carryall 6	14-19
Tow/Run Switch – IQ Plus Vehicles	14-21
Taillights	14-23
Rear Reverse Buzzer – Carryall 6	14-25
IQ Plus Vehicle with T-105 Batteries	14-27
IQ Plus Vehicle with T-145 Batteries	14-29

SECTION 15 – ELECTRIC MOTOR

Motor (Model DA5-4006) – IQ Plus	15-3
--	------

SECTION 16 – TRANSAXLE – ELECTRIC VEHICLES

Transaxle – Electric Vehicles	16-3
-------------------------------------	------

SECTION 17 – BATTERY CHARGER

IQ Plus Domestic Battery Charger (Model 25730)	17-3
IQ Plus Onboard Battery Charger (Model 25260)	17-5
Onboard Charger (Models 25260 and 25660) and Reel Mounting	17-7
IQ Plus Onboard Charger (Model 25260) Mounting	17-9
IQ Plus Battery Charger (Model 25880), Export and European	17-11
IQ Plus Onboard Battery Charger (Model 25660), Export	17-13

CONTENTS

SECTION 18 – MAINTENANCE AND SERVICE TOOLS

Maintenance and Service Tools	18-3
Maintenance and Service Tools, Continued	18-5
Maintenance and Service Tools, Continued	18-7
Maintenance and Service Tools, Continued	18-9
Maintenance and Service Tools, Continued	18-11

SECTION i – INDEX

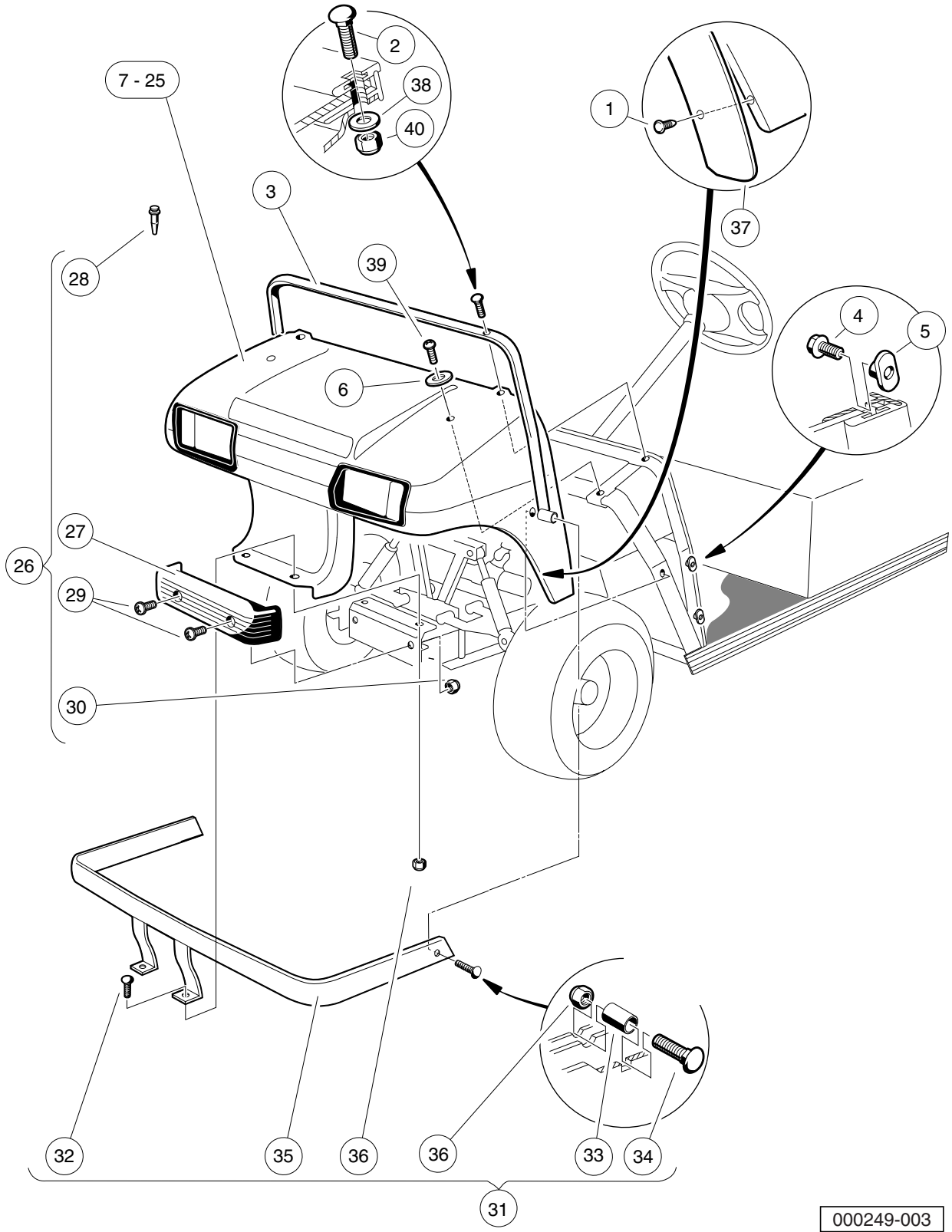
BODY AND TRIM

1

G

E

1
G
E



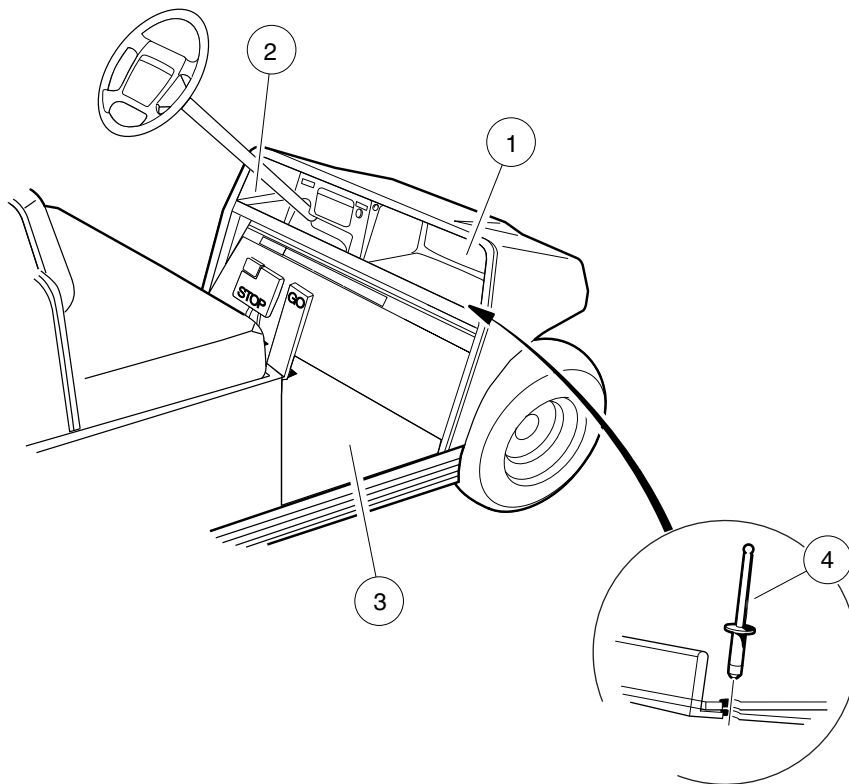
000249-003

FRONT BODY AND TRIM

ITEM	PART NO.	DESCRIPTION	QTY
		1 2 3 4	
1	1010434	Barrel - Plastic	12
2	1010435	Bolt, Carriage, 5/16-18 X 1.00	2
3	1011014	Trim, Cowl	1
4	1011017	Screw, #8-32 X 0.375	6
5	1011394	T-Nut Package (Set of 4)	1
6	1015075	Washer, 5/16 Flat Type A	2
7	101692501	Cowl, TPO, Beige	1
8	101692502	Cowl, TPO, White	1
9	101692506	Cowl, TPO, Red	1
10	101692509	Cowl, TPO, Pacific Blue (Royal Blue)	1
11	101692510	Cowl, TPO, Dark Green	1
12	101692511	Cowl, TPO, Black	1
13	101692512	Cowl, TPO, Classic Blue (Navy)	1
14	101692513	Cowl, TPO, Burgundy	1
15	101692514	Cowl, TPO, Dark Gray	1
16	101692515	Cowl, TPO, Safety Yellow	1
17	101693901	Cowl with Headlight Opening, TPO, Beige	1
18	101693902	Cowl with Headlight Opening, TPO, White	1
19	101693906	Cowl with Headlight Opening, TPO, Red	1
20	101693909	Cowl with Headlight Opening, TPO, Dark Green	1
21	101693910	Cowl with Headlight Opening, TPO, Black	1
22	101693911	Cowl with Headlight Opening, TPO, Classic Blue (Navy)	1
23	101693912	Cowl with Headlight Opening, TPO, Burgundy	1
24	101693913	Cowl with Headlight Opening, TPO, Dark Gray	1
25	N/A	Cowl with Headlight Opening, TPO, Safety Yellow	1
26	1017080	Kit, Front Bumper (includes items 27 through 30)	1
27	1016868	Front Bumper	1
28	1016967	Blind Rivet, Push Type	2
29	7251	Screw, 5/16-18 x 1.0 Truss-Head	2
30	7473	Locknut, 5/16-18 Nylon Insert	2
31	101734802	Kit, Heavy-Duty Bumper (includes items 32 through 36)	1
32	1010435	Bolt, Carriage, 5/16-18 X 1.00	2
33	1010546	Spacer	2
34	1015405	Bolt, Carriage, 5/16-18 X 2.0	2
35	N/A	Weldment, Heavy Duty Bumper	1
36	7473	Locknut, 5/16-18 Nylon Insert	4
37	101870401	Fender Extrusion	2
38	1241	Washer, 5/16 Type A Flat	2
39	7251	Screw, 5/16-18 x 1.0 Truss-Head	2
40	7473	Locknut, 5/16-18 Nylon Insert	2

1
G
E

1
G
E



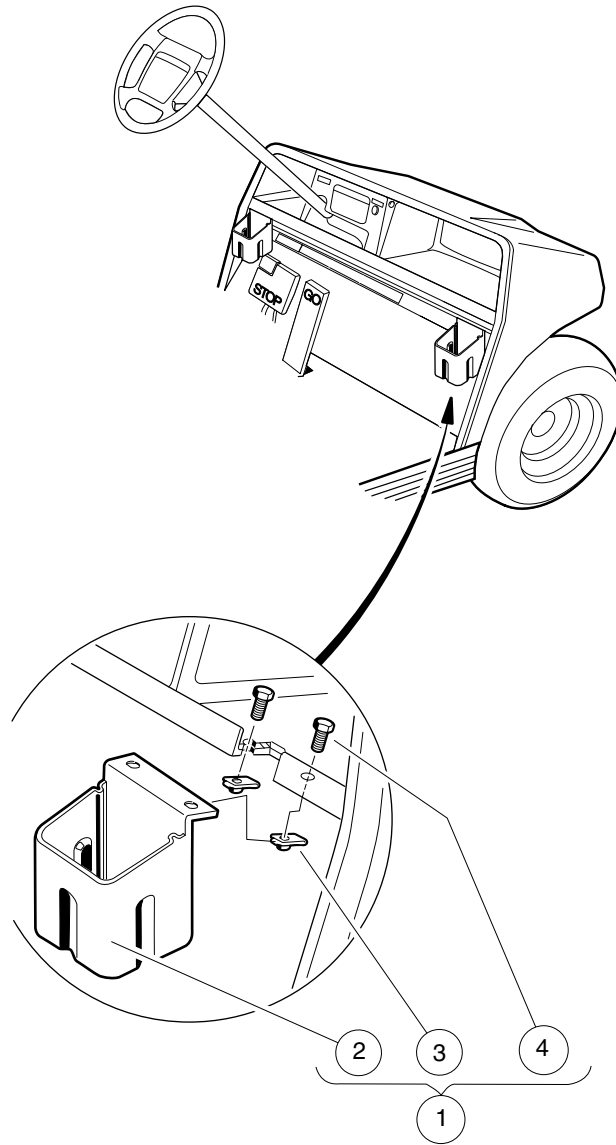
000252-002

DASH POCKETS AND FLOORMAT

ITEM	PART NO.	DESCRIPTION	QTY
		1 2 3 4	
1	1013343	Dash Component, Passenger-Side, Black	1
2	1013344	Dash Component, Driver-Side	1
3	101503202	Floormat	1
4	7973	Rivet, 3/16 X .400 Blind	5

1
G
E

1
G
E



000253-001

BEVERAGE HOLDER

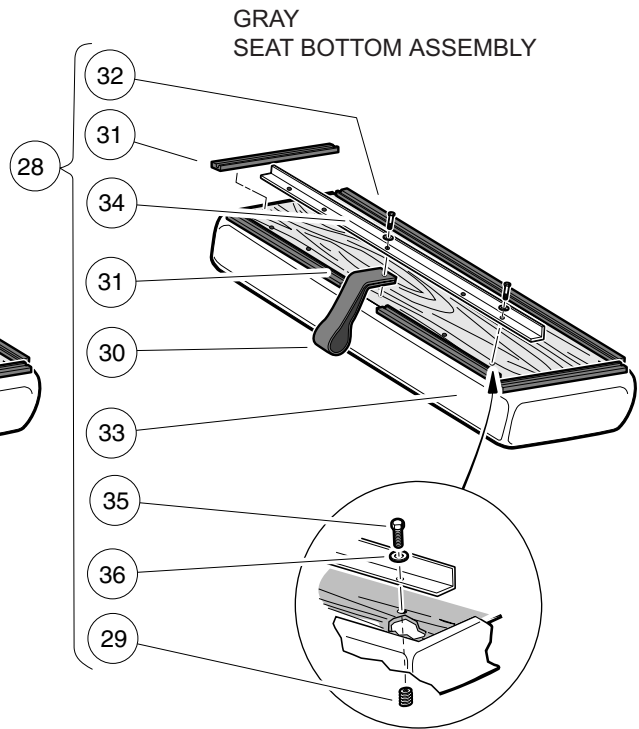
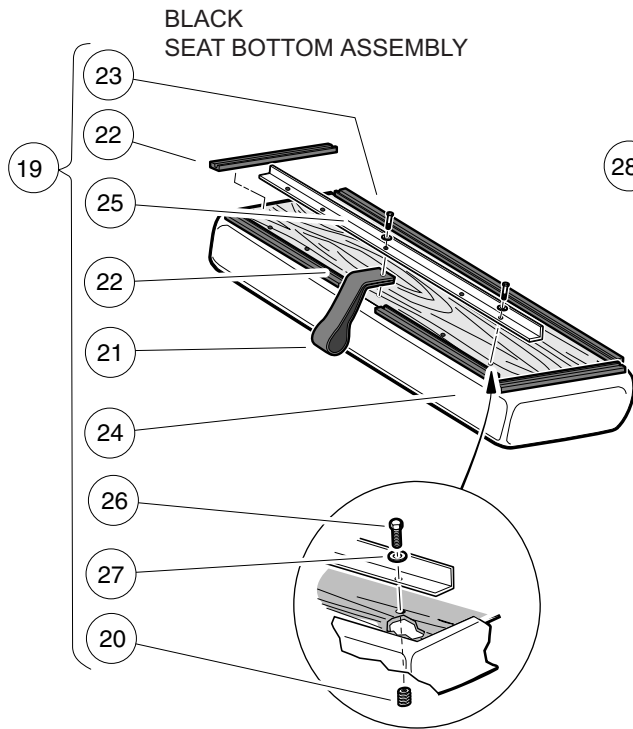
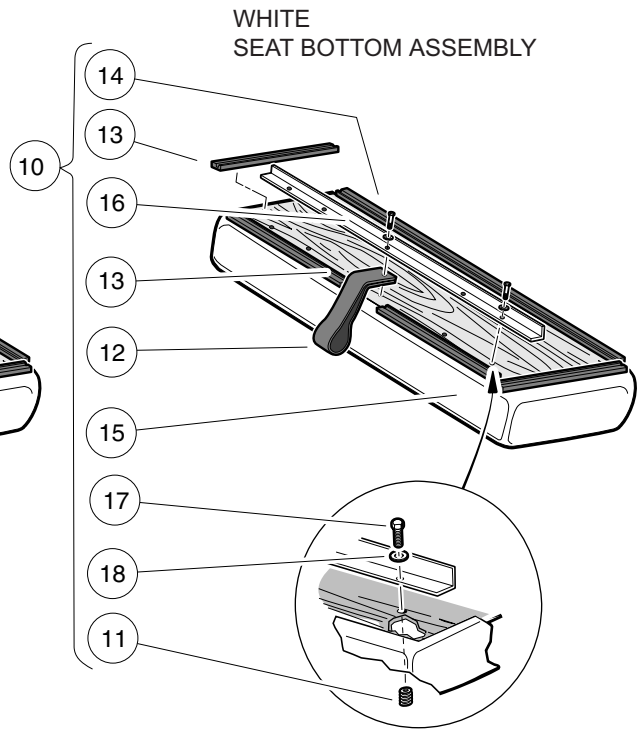
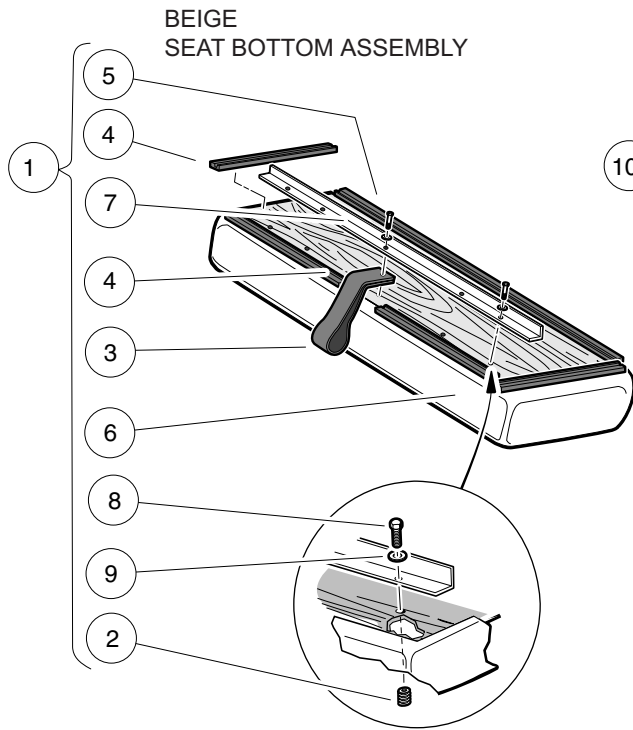
ITEM	PART NO.	DESCRIPTION	QTY
		1 2 3 4	
1	1013422	Cup Holder Kit (includes items 2 through 4)	2
2	N/A	Holder, Single Cup	1
3	1016952	U-Nut, 1/4-20	2
4	7847	Screw, 1/4-20 X 0.75 Hex-Head Cap	2

1

G

E

1
G
E



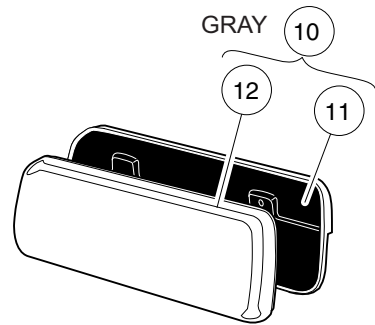
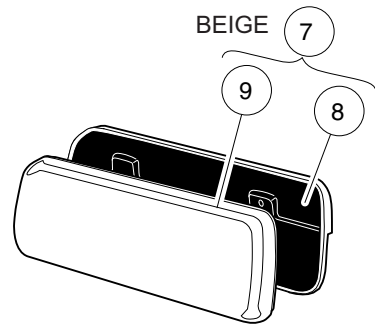
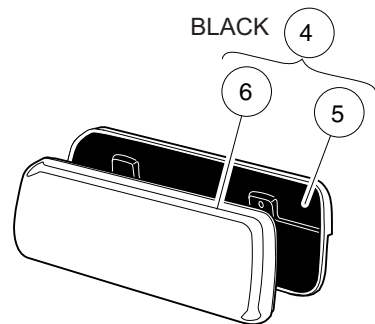
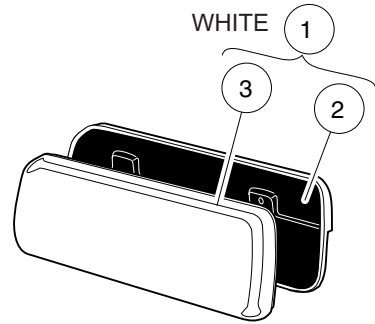
000254-001

SEAT BOTTOM

ITEM	PART NO.	DESCRIPTION	QTY
		1 2 3 4	
1	101564501	Seat Bottom Assembly, Beige (includes items 2 through 9)	1
2	1010543	Insert - Wood	5
3	1013309	Strap, Utility Seat	1
4	1013311	Bumper, Seat, Short	4
5	1013312	Bumper, Seat, Long	1
6	N/A	Vinyl Cover, Seat Bottom, Buff	1
7	101894303	Stiffener	1
8	101954301	Screw, 1/4-20 X 0.75 Hex-Head Cap	5
9	332	Washer, 1/4 Type A Narrow Flat	5
10	101564502	Seat Bottom Assembly, White (includes items 11 through 18)	1
11	1010543	Insert - Wood	5
12	1013309	Strap, Utility Seat	1
13	1013311	Bumper, Seat, Short	4
14	1013312	Bumper, Seat, Long	1
15	N/A	Vinyl Cover, Seat Bottom, White	1
16	101894303	Stiffener	1
17	101954301	Screw, 1/4-20 X 0.75 Hex-Head Cap	5
18	332	Washer, 1/4 Type A Narrow Flat	5
19	101564503	Seat Bottom Assembly, Black (includes items 20 through 27)	1
20	1010543	Insert - Wood	5
21	1013309	Strap, Utility Seat	1
22	1013311	Bumper, Seat, Short	4
23	1013312	Bumper, Seat, Long	1
24	N/A	Vinyl Cover, Seat Bottom, Black	1
25	101894303	Stiffener	1
26	101954301	Screw, 1/4-20 X 0.75 Hex-Head Cap	5
27	332	Washer, 1/4 Type A Narrow Flat	5
28	101564505	Seat Bottom Assembly, Gray (includes items 29 through 36)	1
29	1010543	Insert - Wood	5
30	1013309	Strap, Utility Seat	1
31	1013311	Bumper, Seat, Short	4
32	1013312	Bumper, Seat, Long	1
33	N/A	Vinyl Cover, Seat Bottom, Gray	2
34	101894303	Stiffener	1
35	101954301	Screw, 1/4-20 X 0.75 Hex-Head Cap	5
36	332	Washer, 1/4 Type A Narrow Flat	5

1
G
E

1
G
E



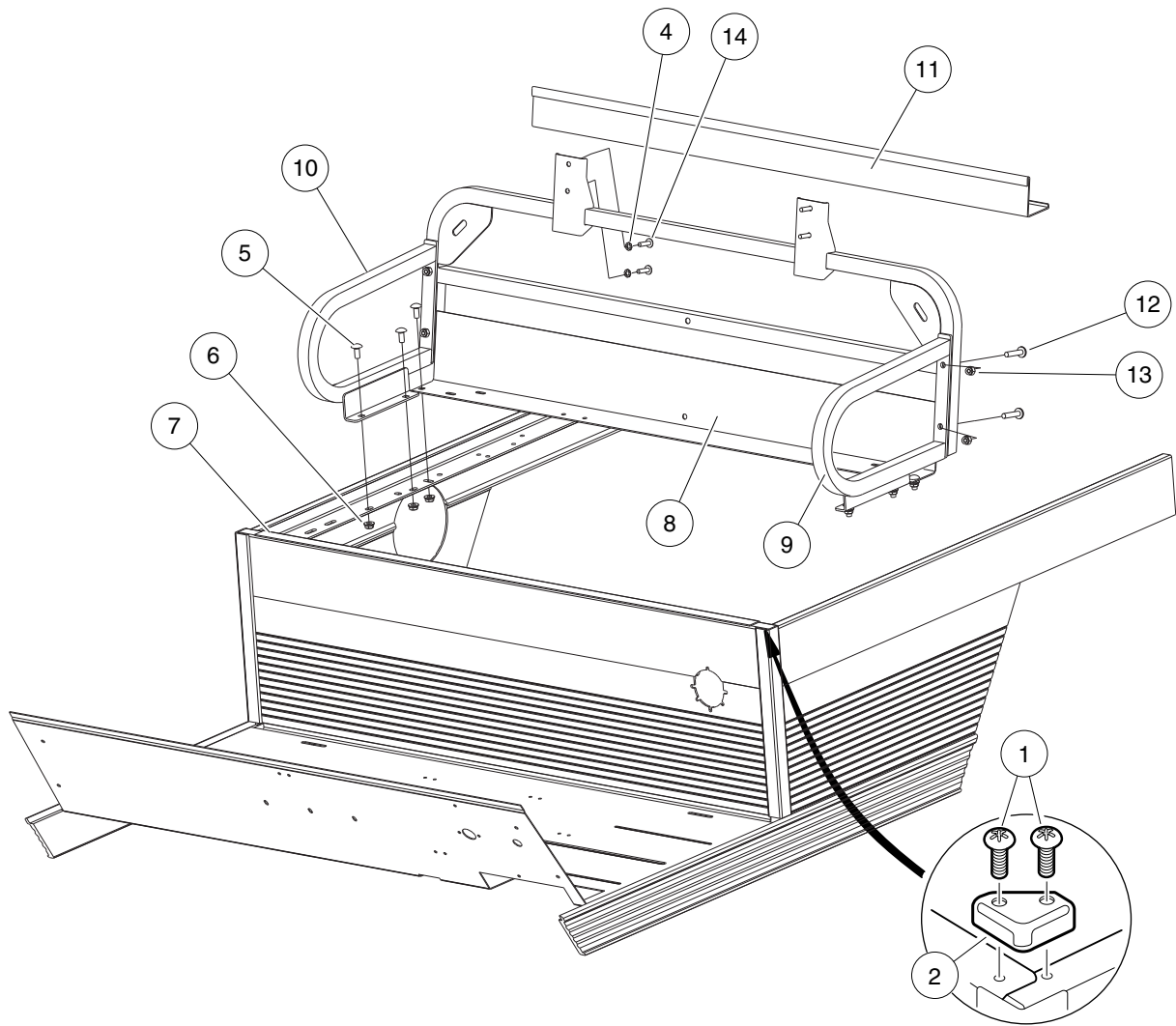
000608-001

SEAT BACK ASSEMBLY

ITEM	PART NO.	DESCRIPTION	QTY
		1 2 3 4	
1	101677701	Seat Back Assembly, White (includes items 2 and 3)	1
2	1016751	Cap, Seat Back	1
3	N/A	Vinyl Seat Back, White	1
4	101677702	Seat Back Assembly, Black (includes items 5 and 6)	1
5	1016751	Cap, Seat Back	1
6	N/A	Vinyl Seat Back, Black	1
7	101677703	Seat Back Assembly, Beige (includes items 8 and 9)	1
8	1016751	Cap, Seat Back	1
9	N/A	Vinyl Seat Back, Beige	1
10	101677705	Seat Back Assembly, Gray (includes items 11 and 12)	1
11	1016751	Cap, Seat Back	1
12	N/A	Vinyl Seat Back-nstd Svc	1

1
G
E

1
G
E



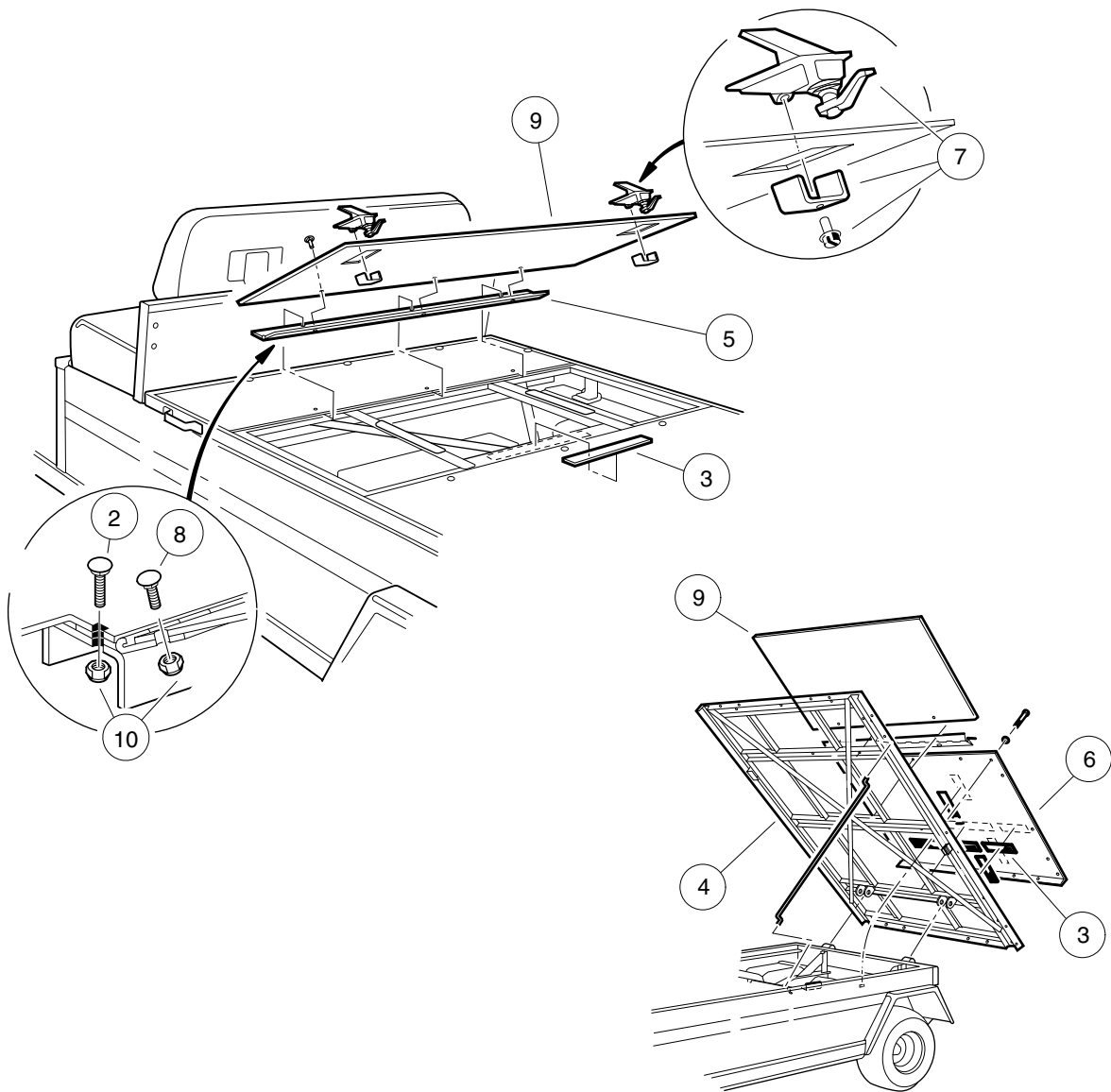
000603-001

HIP RESTRAINTS AND SEAT BACK MOUNTING

ITEM	PART NO.	DESCRIPTION	QTY
		1 2 3 4	
1	1014321	Screw, #10 Truss-Head Torx	4
2	1014387	Cap, Corner	2
3	N/A	Instl, Seat Bk, Hip Restr, Ca1 (includes items 4 through 14)	1
4	101946201	Washer, Lock, 0.250 External-Tooth	4
5	101963301	Bolt, 5/16-18 X 0.75 Round-Head	6
6	101963401	Locknut, 5/16-18 Hex Flange	6
7	101964001	Trim, Seat Bottom Front	1
8	102966401	Seat Back, Tube	1
9	102966501	Hip Restraint, Left	1
10	102966502	Hip Restraint, Right	1
11	102989501	Seal, Bed, 41-Inch	1
12	103245201	Screw, 5/16-18 X 1.5, Tr Tx Hd	4
13	103245301	Nut, Hex, Cp, Mech Def, 5/16-1	4
14	8251	Screw, 1/4-20 X 1.0 Truss-Head Machine	4

1
G
E

1
G
E

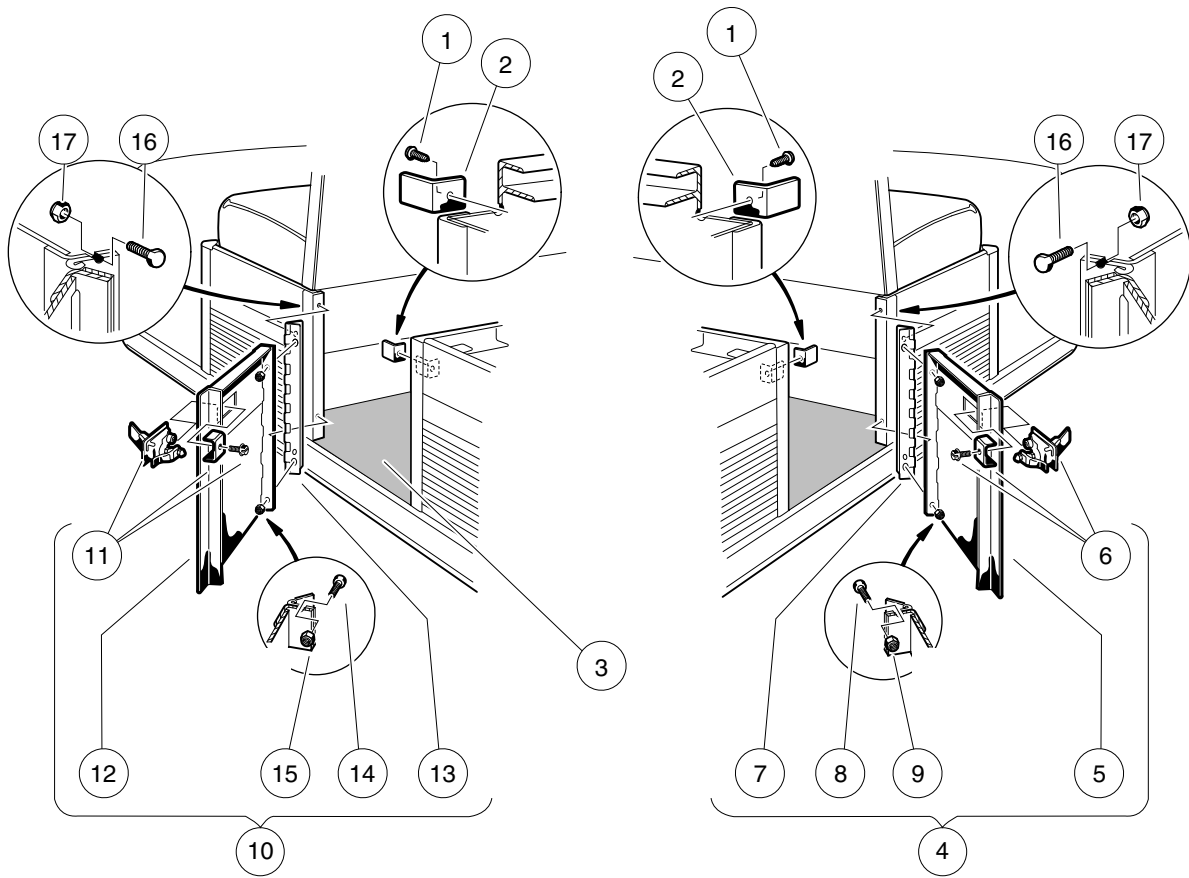


000264-003

FLAT BED – TURF/CARRYALL 6

ITEM	PART NO.	DESCRIPTION	QTY
		1 2 3 4	
1	103509601	Asm, Long Bed Str Ic, W/o Trim (includes items 2 through 10)	1
2	1010435	Bolt, Carriage, 5/16-18 X 1.00	13
3	1014471	Tape, Vinyl Foam 1/8" x 3/4" *	13
4	1016878	Long Bed Frame Assembly	1
5	1016881	Hinge, Access Door	1
6	****	Plate Floor Rear Long Bed	1
7	101691401	Latch, Door	2
8	1017077	Bolt, Carriage, 5/16-18 X 0.625	2
9	103509401	Plate Access Door, Ca6, Ic	1
10	7473	Locknut, 5/16-18 Nylon Insert	15
<p>**** Special order item available upon request.</p> <p>* Note: Item not shown.</p>			

1
G
E



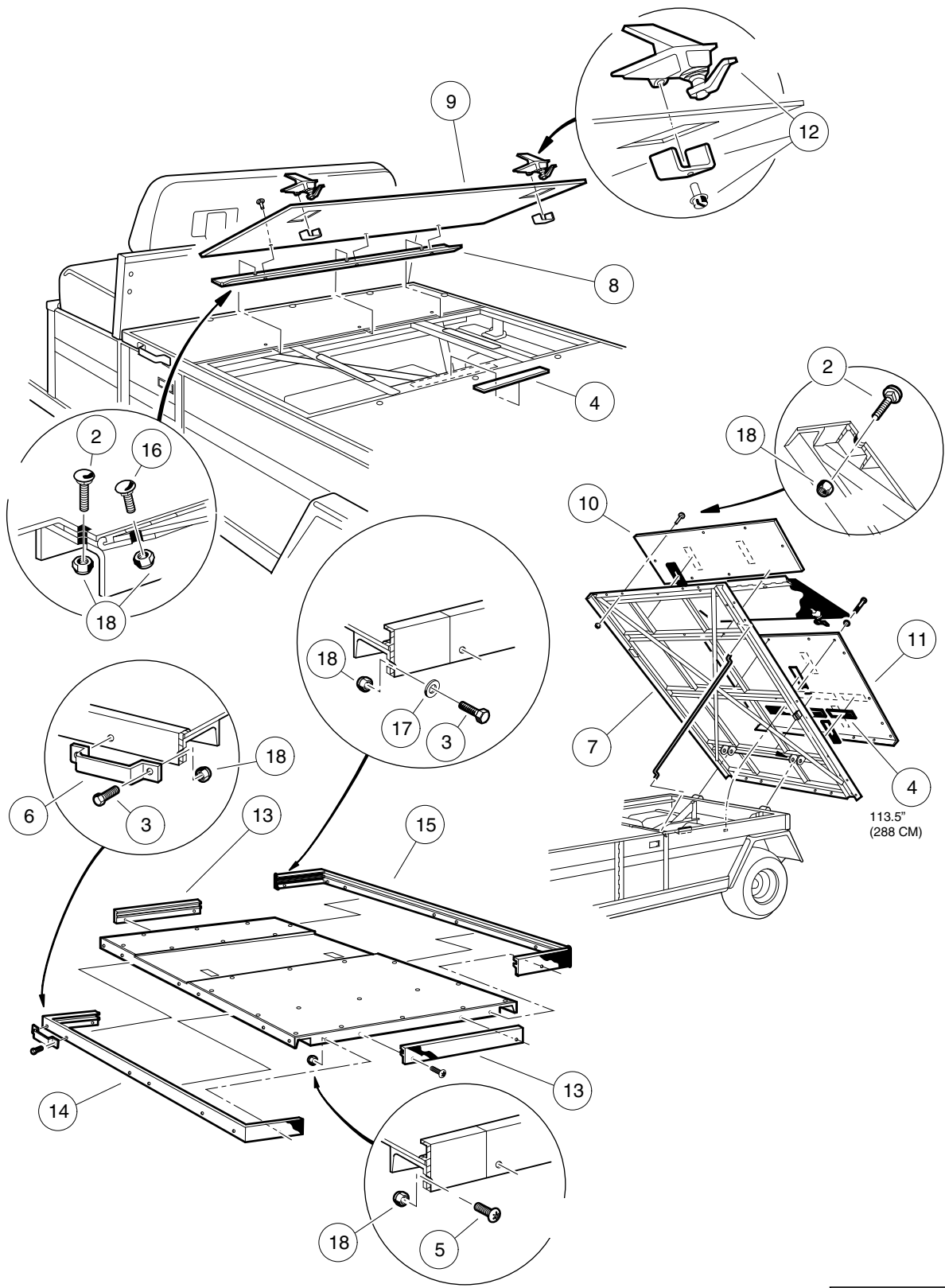
000262-001

SIDE DOORS

ITEM	PART NO.	DESCRIPTION	QTY
		1 2 3 4	
1	1012285	Screw, 1/4 X 0.625 Hex-Head	2
2	1013280	Clip, Angle	2
3	1016718	Floormat, Rear	1
4	1016954	Assembly, Door, Passenger-Side (includes items 5 through 9)	1
5	N/A	Door, Passenger-Side	1
6	101691401	Latch, Door	1
7	1016920	Hinge, Door	1
8	403	Screw, 1/4-20 X 0.625 Hex-Head Cap	2
9	8233	Locknut, 1/4-20 Nylon Insert	2
10	1016955	Assembly, Door, Driver-Side (includes items 11 through 15)	1
11	101691401	Latch, Door	1
12	N/A	Door, Driver-Side	1
13	1016920	Hinge, Door	1
14	403	Screw, 1/4-20 X 0.625 Hex-Head Cap	2
15	8233	Locknut, 1/4-20 Nylon Insert	2
16	403	Screw, 1/4-20 X 0.625 Hex-Head Cap	4
17	8233	Locknut, 1/4-20 Nylon Insert	4

1
G
E

1
G
E



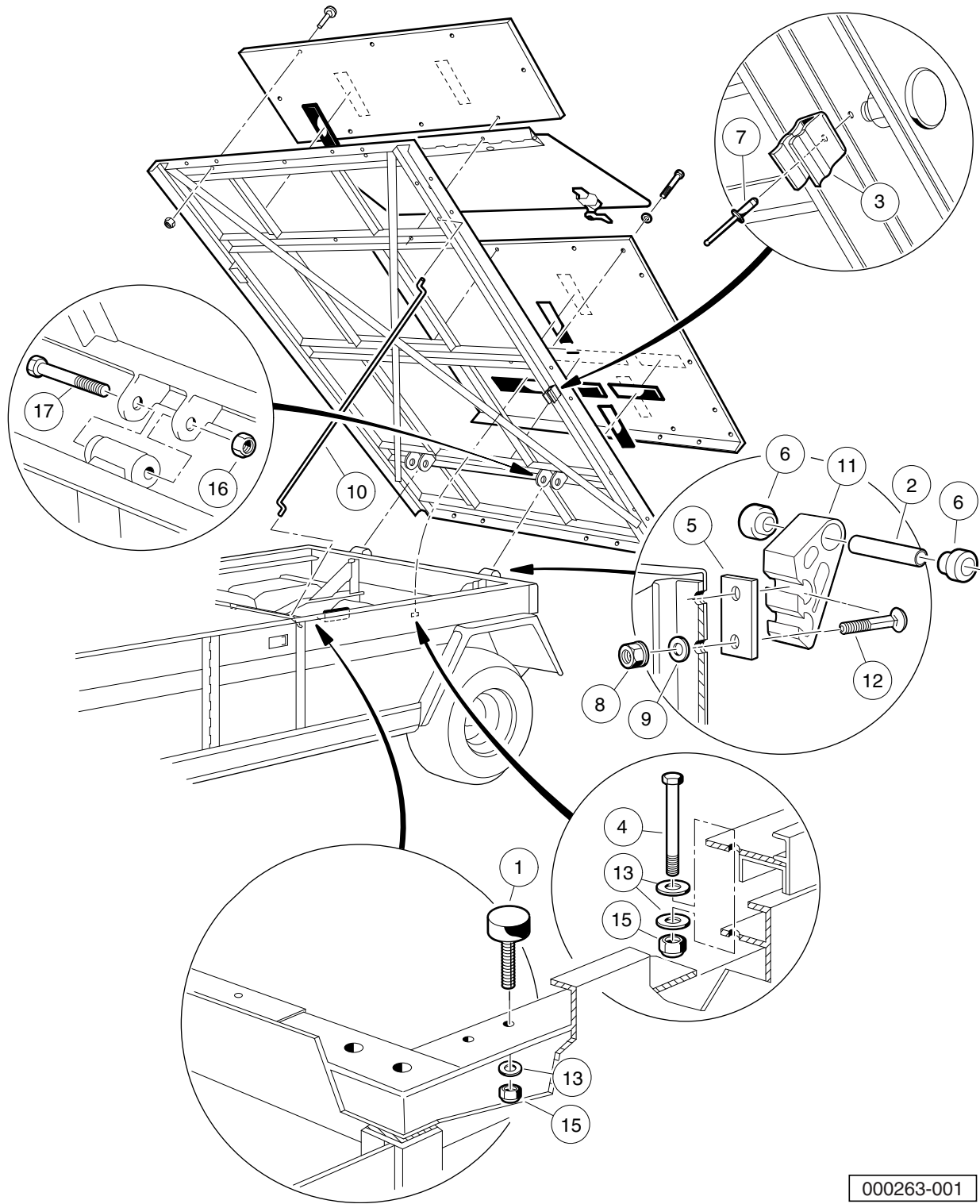
000264-001

FLAT BED

ITEM	PART NO.	DESCRIPTION	QTY
		1 2 3 4	
1	N/A	Assembly, Long Bed (includes items 2 through 18)	1
2	1010435	Bolt, Carriage, 5/16-18 X 1.00	21
3	1010934	Screw, 5/16-18 X 1.00 Hex Cap	6
4	1014471	Tape, Vinyl Foam 1/8" x 3/4" *	1
5	1015399	Screw, 5/16-18 X 0.88 Torx Truss-Head	14
6	1016077	Bracket, Stake Side	1
7	1016878	Long Bed Frame Assembly	1
8	1016881	Hinge, Access Door	1
9	101689101	Plate, Access Door	1
10	****	Floor Plate Forward Long Bed	1
11	****	Plate Floor Rear Long Bed	1
12	101691401	Latch, Door	2
13	1016943	Trim, Long Bed, Front and Rear	2
14	1016944	Trim, Long Bed, Driver-Side	1
15	1016948	Trim, Long Bed, Passenger-Side	1
16	1017077	Bolt, Carriage, 5/16-18 X 0.625	3
17	1241	Washer, 5/16 Type A Flat	4
18	7473	Locknut, 5/16-18 Nylon Insert	44
		**** Special order item available upon request.	
		* Note: Item not shown.	

1
G
E

1
G
E



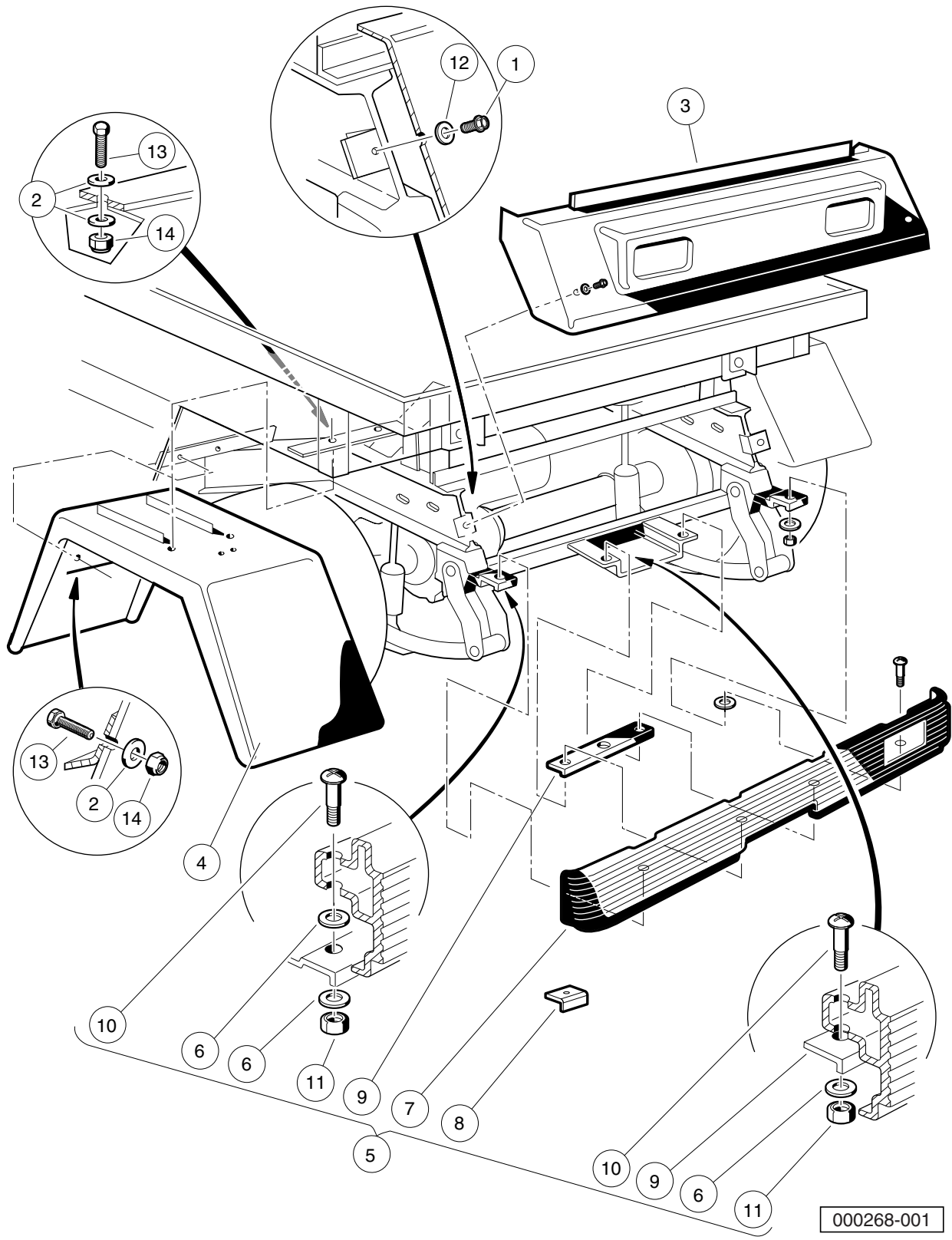
000263-001

FLAT BED MOUNTING

ITEM	PART NO.	DESCRIPTION	QTY
		1 2 3 4	
1	1010878	Bumper, Rubber	2
2	1012303	Bushing, Steel	2
3	1013413	Clip, Rod	1
4	1013872	Bolt, 1/4-20 X 4.00 Hex Head	2
5	1015507	Shim, Tilt Bed Pivot	1
6	1015583	Bushing, Urethane	4
7	N/A	Rivet, 1/8	1
8	102065901	Locknut, 3/8-16 Flanged Dimple	4
9	102066001	Washer, 3/8 Type B Hard Flat	4
10	102259401	Prop Rod, Long Bed	1
11	103538701	Extra, Bracket, Hinge, Bed	2
12	103538901	3/8-16 X 3.5 Carr Blt Gr5 Zn	4
13	332	Washer, 1/4 Type A Narrow Flat	6
14	705	Screw, Cap-hex Hd 3/8-16x1.25	4
15	8233	Locknut, 1/4-20 Nylon Insert	4
16	8754	Locknut, 3/8-16 Hex	2
17	8755	Screw, 3/8-16 X 3.375 Hex Cap	2

1
G
E

1
G
E



000268-001

REAR BODY TRIM

ITEM	PART NO.	DESCRIPTION	QTY
		1 2 3 4	
1	1012285	Screw, 1/4 X 0.625 Hex-Head	2
2	1014306	Washer, 1/4" Type B Flat	12
3	1015530	Tailskirt	1
4	1016679	Rear Fender	2
5	1017079	Kit, Rear Bumper (includes items 6 through 11)	1
6	1011697	Washer, 5/16 Flat	6
7	1016379	Bumper, Rear	1
8	1016874	Plate, Bumper Mounting, Short	2
9	1016875	Plate, Bumper Mounting, Long	1
10	1016876	Bolt, 3/8 Shoulder	4
11	7473	Locknut, 5/16-18 Nylon Insert	4
12	332	Washer, 1/4 Type A Narrow Flat	2
13	7847	Screw, 1/4-20 X 0.75 Hex-Head Cap	8
14	8233	Locknut, 1/4-20 Nylon Insert	8

1
G
E

1

G

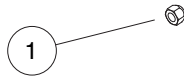
E

WHEELS AND TIRES

2

G

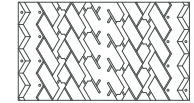
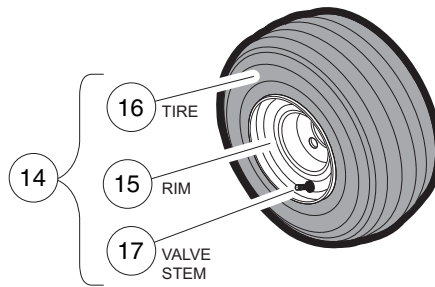
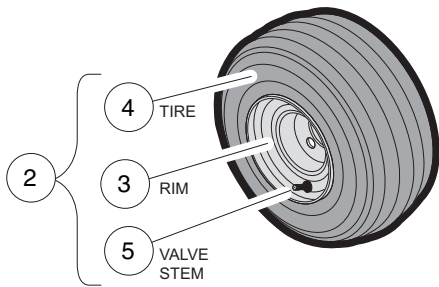
E



FOR FRONT OR REAR

BEIGE RIMS

WHITE RIMS

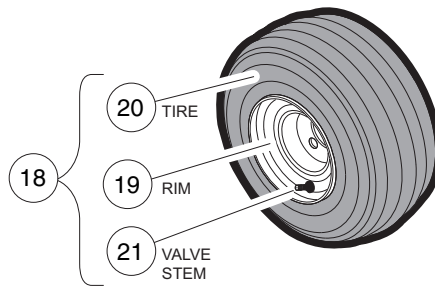
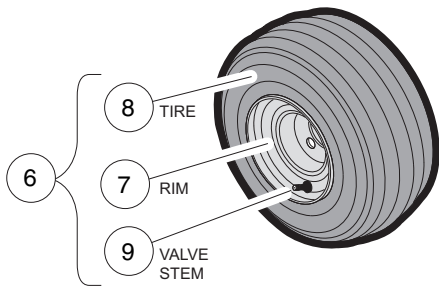


PREMIUM TREAD

FOR REAR ONLY

BEIGE RIMS

WHITE RIMS

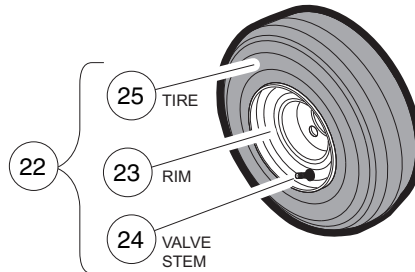
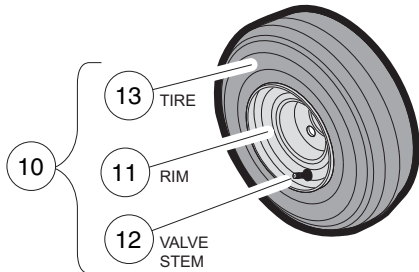


EXTRA TRACTION TREAD

FOR FRONT ONLY

BEIGE RIMS

WHITE RIMS



DURO HF 232 TREAD

000269-003

WHEELS AND TIRES

ITEM	PART NO.	DESCRIPTION	QTY
		1 2 3 4	
1	1010984	.500-20 Unf Lug Nut	16
2	N/A	Tire/Wheel Asm, Beige, Premium Tread, 6-ply (includes items 3 through 5)	4
3	1015707	Wheel Rim, Beige	1
4	101737002	Tire, Unmounted	1
5	7310	Valve Stem	1
6	N/A	Tire/Wheel Asm, Beige, Xtrac Tread, 6-ply (includes items 7 through 9)	2
7	1015707	Wheel Rim, Beige	1
8	N/A	Tire, Unmounted Xtrac 18 x 8.50-8	1
9	7310	Valve Stem	1
10	101570514	Tire/Wheel Asm, Beige, Duro HF 232 Tread (includes items 11 through 13)	2
11	1015707	Wheel Rim, Beige	1
12	7310	Valve Stem	1
13	****	Tire, Unmounted, 6-Ply Rated (18.5 x 8.5 - 8) (Duro)	1
14	101651406	Tire/Wheel Asm, White, Premium Tread, 6-Ply (includes items 15 through 17)	4
15	1014771	Wheel Rim, White	1
16	101737002	Tire, Unmounted	1
17	7310	Valve Stem	1
18	N/A	Tire/Wheel Asm, White, Extra-Traction, 6-Ply (includes items 19 through 21)	2
19	1014771	Wheel Rim, White	1
20	N/A	Tire, Unmounted Xtrac 18 x 8.50-8	1
21	7310	Valve Stem	1
22	101651414	Tire/Wheel Asm, White, Duro HF 232 (includes items 23 through 25)	2
23	101918402	Wheel Rim, White	1
24	7310	Valve Stem	1
25	****	Tire, Unmounted, 6-Ply Rated (18.5 x 8.5 - 8) (Duro)	1
**** Special order item available upon request.			

2

G

E

2

G

E

DECALS

3

G

E

⚠ WARNING

ROLLOVER OR FALLING OFF MAY CAUSE DEATH.

- Before using vehicle, read operating instructions.
- Remain seated and hold on to seat handle while moving.
- Do not start vehicle until all occupants are seated.
- Two (2) persons per seat maximum.
- Operate from driver side only and not on public roads.
- Keep entire body inside vehicle while moving.
- Drive slowly in turns and straight up and down slopes.
- Do not leave children unattended on vehicle.
- Never operate under the influence of alcohol or drugs.
- Use brakes to reduce speed when coasting downhill.
- Never stand in front of or behind vehicle.

CCI 103205401

⚠ WARNING

BATTERY EXPLOSION COULD RESULT IN SEVERE PERSONAL INJURY.

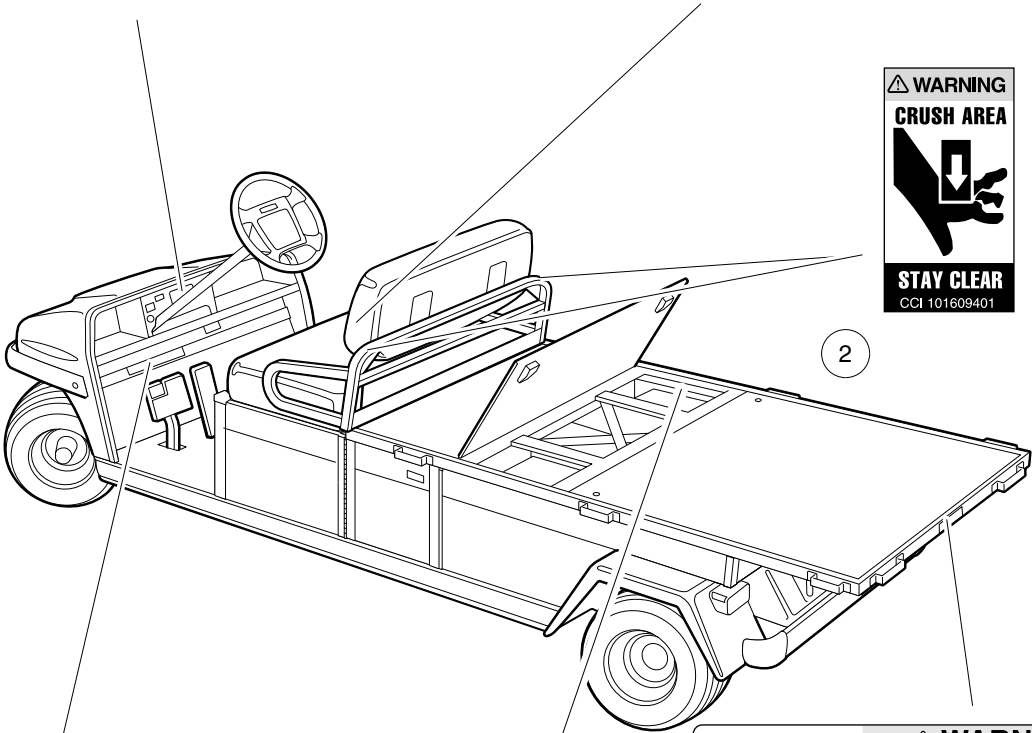
- Do not store items in battery compartment.
- Place Run/Tow switch in TOW position before:
 - Disconnecting or connecting battery cables
 - Towing this vehicle
 - Extended storage
 - Servicing the vehicle

NORMAL TRIPPED

TOW RUN

CCI 102945101

5



⚠ WARNING

CRUSH AREA

STAY CLEAR

CCI 101609401

⚠ WARNING

Riding in cargo bed can cause severe injury or death. Do not ride in cargo bed..

CCI 101553901

⚠ DANGER / POISON

<p>EXPLOSIVE GASES CAN CAUSE BLINDNESS OR INJURY</p>	<p>SHIELD EYES</p>	<p>NO</p> <ul style="list-style-type: none"> • SPARKS • FLAMES • SMOKING 	<p>SULFURIC ACID</p> <p>CAN CAUSE BLINDNESS OR SEVERE BURNS</p>	<p>FLUSH EYES IMMEDIATELY WITH WATER</p> <p>GET MEDICAL HELP FAST</p>
--	--------------------	--	---	---

KEEP OUT OF THE REACH OF CHILDREN - DO NOT TIP - KEEP VENT CAPS TIGHT AND LEVEL

3

VEHICLE LOADING

Read owner's manual and warnings on dash.

- Vehicle rated capacity - 1500 lb on level surface only. Weight to include passengers, cargo bed load, and gross trailer weight. See owner's manual.
- Maximum cargo load CARRYALL 6 or TURF 6 - 1000 lb, TRANSPORTER - 300 lb. Weight to include cargo bed load and gross trailer weight.
- Maximum trailer hitch tongue weight - 150 lbs.

- Cargo should be evenly spread over the floor of the cargo bed as far forward as possible and secured.
 - For vehicle stability, when fully loaded, drive slowly and avoid stopping on or backing down steep hills.
 - Avoid top heavy loads. See owner's manual.
 - When driving on uneven terrain or down steep hills, reduce speed and load.
- CCI 101960001

000632-001

DECALS – ELECTRIC CARRYALL 6

ITEM	PART NO.	DESCRIPTION	QTY
		1 2 3 4	
1	101553901	Decal, Bed Load Warning	1
2	101609401	Decal, Crush Area Warning	2
3	101960001	Decal, Vehicle Loading	1
4	102845101	Decal, Tow Switch	1
5	103205401	Decal, Warning, Rollover, Utl	1

3
G
E

OPERATING INSTRUCTIONS

- Read owner's manual and dash-mounted safety warnings prior to driving.
- Study and understand controls.

TO OPERATE

- Turn wheels to desired direction and ensure path is clear.
- Turn key to ON position.
- While stopped, place Forward/Reverse switch in desired position:
F – Forward N – Neutral R – Reverse (Buzzer will sound)
- Park brake will release and vehicle will start moving when accelerator pedal is pressed.
- Slowly press accelerator pedal to increase speed.
- To stop, release accelerator pedal and press brake pedal.

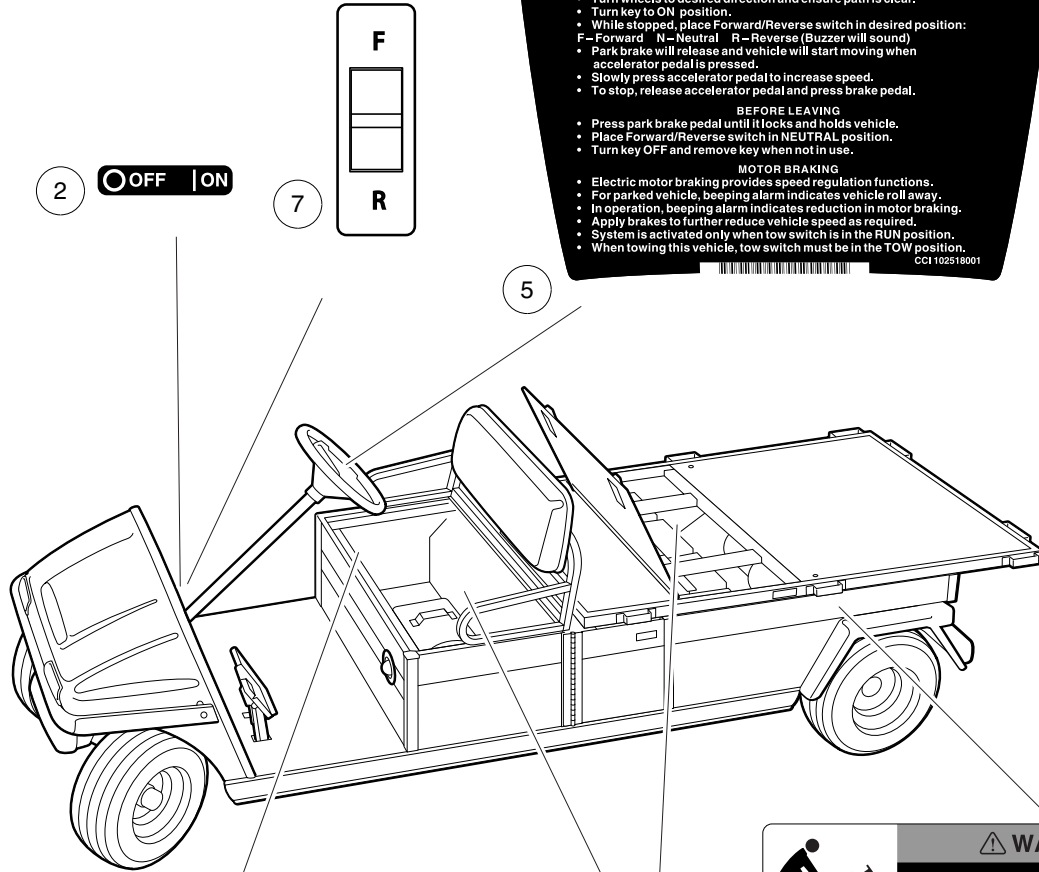
BEFORE LEAVING

- Press park brake pedal until it locks and holds vehicle.
- Place Forward/Reverse switch in NEUTRAL position.
- Turn key OFF and remove key when not in use.

MOTOR BRAKING

- Electric motor braking provides speed regulation functions.
- For parked vehicle, beeping alarm indicates vehicle roll away.
- In operation, beeping alarm indicates reduction in motor braking.
- Apply brakes to further reduce vehicle speed as required.
- System is activated only when tow switch is in the RUN position.
- When towing this vehicle, tow switch must be in the TOW position.

CCI 102518001



NOTICE DO NOT USE AS GROUND
CCI 101964601

4

NOTICE
Do not operate vehicle without this cover properly installed.
Do not direct water stream in this area; will cause damage to components.
See vehicle maintenance and service manual before servicing.
CCI 101931501

3

WARNING
FAILURE TO FOLLOW THESE INSTRUCTIONS
CAN CAUSE SEVERE INJURY OR DEATH.
Bed can tip up unexpectedly. Bed hold down
bolts must be fastened.
CCI 101707801

1

WARNING
AVOID FIRE HAZARD
• Replacement battery wires must be 4-gauge (AWG) with low-resistance terminals equivalent to factory-installed wires.
• Ensure that battery connections are clean and properly tightened. See owner's manual.
CCI 102967601

6

000633-001

DECALS – ELECTRIC CARRYALL 6, CONTINUED

ITEM	PART NO.	DESCRIPTION	QTY
		1 2 3 4	
1	N/A	Decal, Bed Hold-Down Bolts	1
2	101825101	Decal, Off/On	1
3	101931501	Decal, Component Cover	1
4	101964601	Decal, No Ground Warning	1
5	102518001	Decal, Operating Instr, Elec	1
6	102967601	Decal, Warning, 4 Gauge Wire	1
7	103210301	Decal, Forward/Reverse, Electric	1

3
G
E

⚠ WARNING

ROLLOVER OR FALLING OFF MAY CAUSE DEATH.

- Before using vehicle, read operating instructions.
- Remain seated and hold on to seat handle while moving.
- Do not start vehicle until all occupants are seated.
- Two (2) persons per seat maximum.
- Operate from driver side only and not on public roads.
- Keep entire body inside vehicle while moving.
- Drive slowly in turns and straight up and down slopes.
- Do not leave children unattended on vehicle.
- Never operate under the influence of alcohol or drugs.
- Use brakes to reduce speed when coasting downhill.
- Never stand in front of or behind vehicle.

CCI 103205401

⚠ WARNING

CRUSH AREA

STAY CLEAR

CCI 101609401

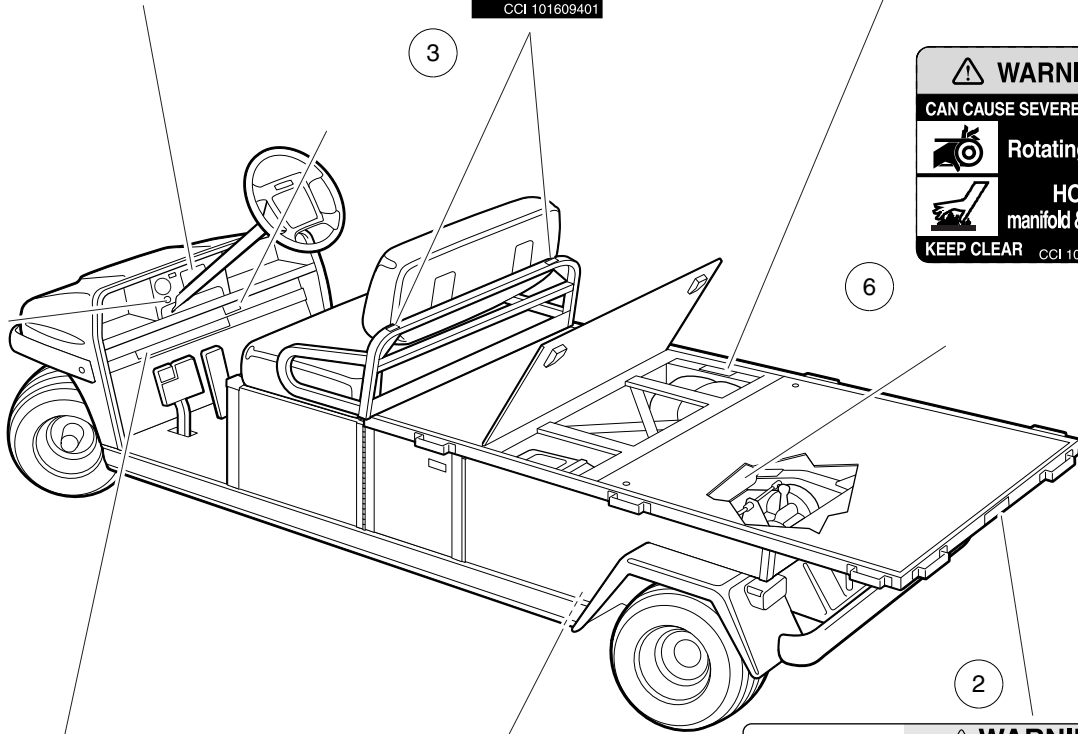
⚠ WARNING

GASOLINE EXPLOSION / FIRE.

- Can cause severe injury or death.
- No smoking, sparks, or open flame.
- Stop engine, allow to cool before refueling.
- Turn fuel valve (↔) on during operation. (→) off during storage or transport.

CCI 101547601

7



⚠ WARNING

CAN CAUSE SEVERE INJURY

Rotating parts

HOT manifold & muffler

KEEP CLEAR

CCI 101960501

⚠ WARNING

Riding in cargo bed can cause severe injury or death. Do not ride in cargo bed.

CCI 101553901

	<p>⚠ WARNING</p> <p>Negative frame ground. Can cause severe injury. Do not contact positive (+) battery post or cable to frame. Disconnect negative battery lead first.</p>		<p>⚠ WARNING</p> <p>Excessive speed. Can cause severe injury or death. Do not tamper with engine governor adjustment.</p> <p>CCI 101915201</p>
--	--	--	---

4

<p>VEHICLE LOADING</p> <p>Read owner's manual and warnings on dash.</p>	<ul style="list-style-type: none"> • Vehicle rated capacity - 1500 lb on level surface only. Weight to include passengers, cargo bed load, and gross trailer weight. See owner's manual. • Maximum cargo load CARRYALL 6 or TURF 6 - 1000 lb, TRANSPORTER - 300 lb. Weight to include cargo bed load and gross trailer weight. • Maximum trailer hitch tongue weight - 150 lbs. 	<ul style="list-style-type: none"> • Cargo should be evenly spread over the floor of the cargo bed as far forward as possible and secured. • For vehicle stability, when fully loaded, drive slowly and avoid stopping on or backing down steep hills. • Avoid top heavy loads. See owner's manual. • When driving on uneven terrain or down steep hills, reduce speed and load. <p>CCI 101960001</p>
--	--	---

5

000634-001

DECALS – GASOLINE TURF/CARRYALL 6

ITEM	PART NO.	DESCRIPTION	QTY
		1 2 3 4	
1	101547601	Decal, Gasoline Explosion/Fire Warning	1
2	101553901	Decal, Bed Load Warning	1
3	101609401	Decal, Crush Area Warning	2
4	101915201	Decal, Frame Ground and Governor Warning	1
5	101960001	Decal, Vehicle Loading	1
6	101960501	Decal, Rotating Parts/Hot Manifold	2
7	103205401	Decal, Warning, Rollover, Utl	1

3
G
E

OPERATING INSTRUCTIONS

- Read Owner's Manual and safety warnings located on dash panel prior to driving.
- Study and understand controls.

TO START ENGINE

- Place shift lever in "N" - Neutral position.
- Depress brake pedal.
- Turn key switch to "START" position and release.

TO OPERATE VEHICLE

- Make sure wheels are turned in desired direction.
- Be sure nothing is in your path.
- While vehicle is stopped, and engine is at idle, select vehicle direction by placing shift lever or switch in desired position.
F - Forward N - Neutral R - Reverse (Buzzer will sound)
- Park brake will release when accelerator pedal is pushed.
- Slowly push accelerator pedal to increase speed.
- Engine must be at idle before moving shift lever.

TO STOP VEHICLE

- Release accelerator pedal and push brake pedal.
- After stopping, firmly push park brake until it locks.
- Turn key to "OFF" position, remove key and place shift lever in straight up neutral position when not in use.

CCI 101693201

OPERATING INSTRUCTIONS

- Read owner's manual and safety warnings located on dash panel prior to driving.
- Study and understand controls.

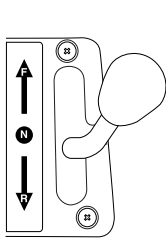
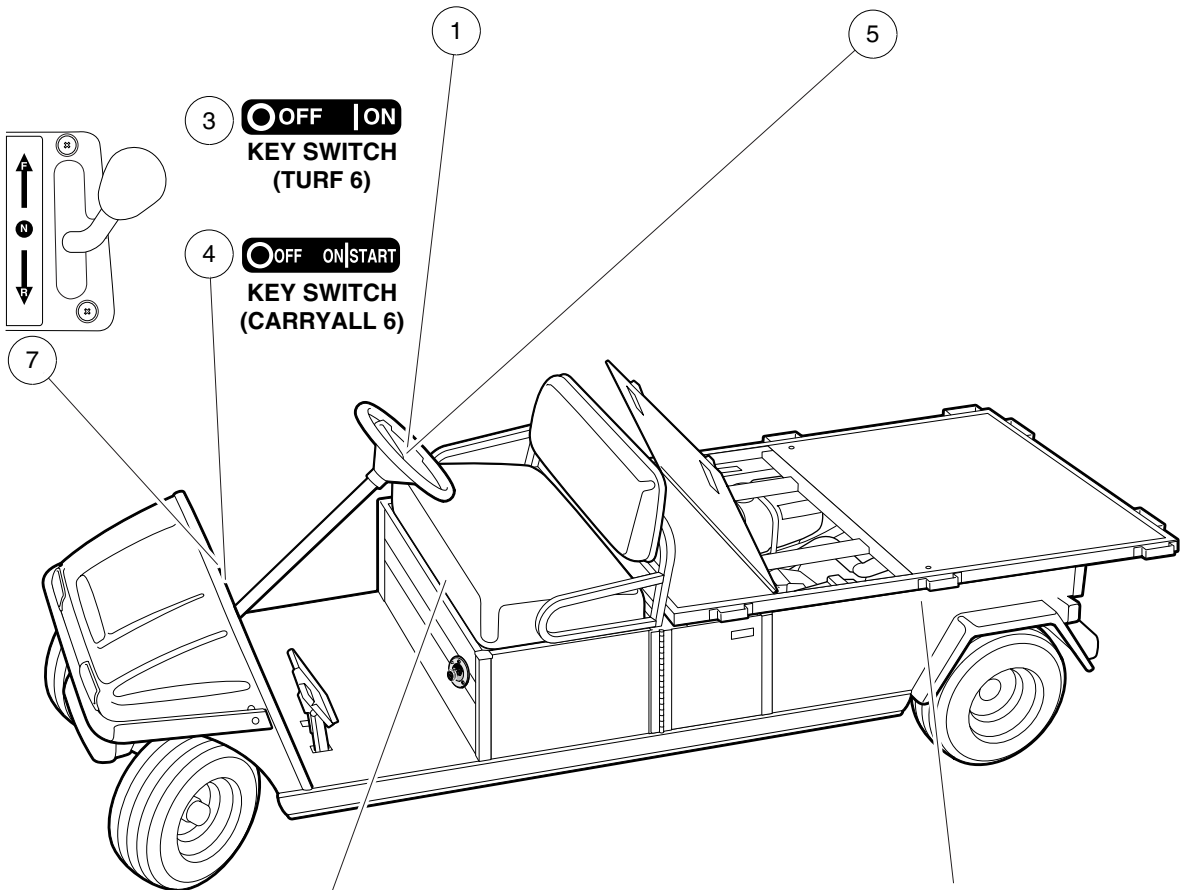
TO OPERATE

- Turn wheels to desired direction and ensure path is clear.
- Turn key to ON position.
- While stopped, place shift lever in desired position:
F - Forward N - Neutral R - Reverse (Buzzer will sound)
- Park brake will release and vehicle will start moving when accelerator pedal is pressed.
- Slowly press accelerator pedal to increase speed.
- To stop, release accelerator pedal and press brake pedal.

BEFORE LEAVING

- Press park brake pedal until it locks and holds vehicle.
- Place Forward/Reverse switch in NEUTRAL position.
- Turn key OFF and remove key when not in use.

CCI 102519201



3 **OFF | ON**
KEY SWITCH (TURF 6)

4 **OFF ON|START**
KEY SWITCH (CARRYALL 6)

Maintenance Operate

WARNING

VEHICLE MOVEMENT MAY CAUSE SERIOUS INJURY
When switch is in Maintenance position, chock wheels and firmly set park brake.

CCI 103205501

WARNING

FAILURE TO FOLLOW THESE INSTRUCTIONS CAN CAUSE SEVERE INJURY OR DEATH.
Bed can tip up unexpectedly. Bed hold down bolts must be fastened.

CCI 101707801

2

6

000635-001

DECALS – GASOLINE TURF/CARRYALL 6, CONTINUED

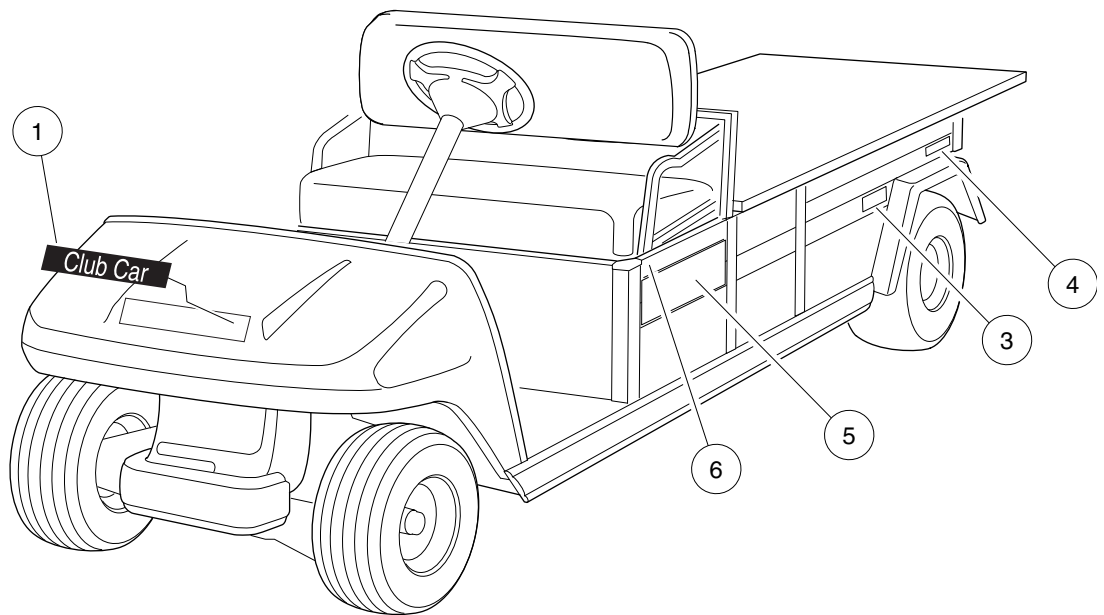
ITEM	PART NO.	DESCRIPTION	QTY
		1 2 3 4	
1	101693201	Decal, Operating Instructions, Key-Start	1
2	N/A	Decal, Bed Hold-Down Bolts	1
3	101825101	Decal, Off/On	1
4	101825102	Decal, Off/On/Start	1
5	102519201	Decal, Operating Instr, Gas	1
6	103205501	Decal, Run/Service Switch	1
7	103210201	Decal, Forward/Reverse, Gas	1

3
G
E

3

G

E

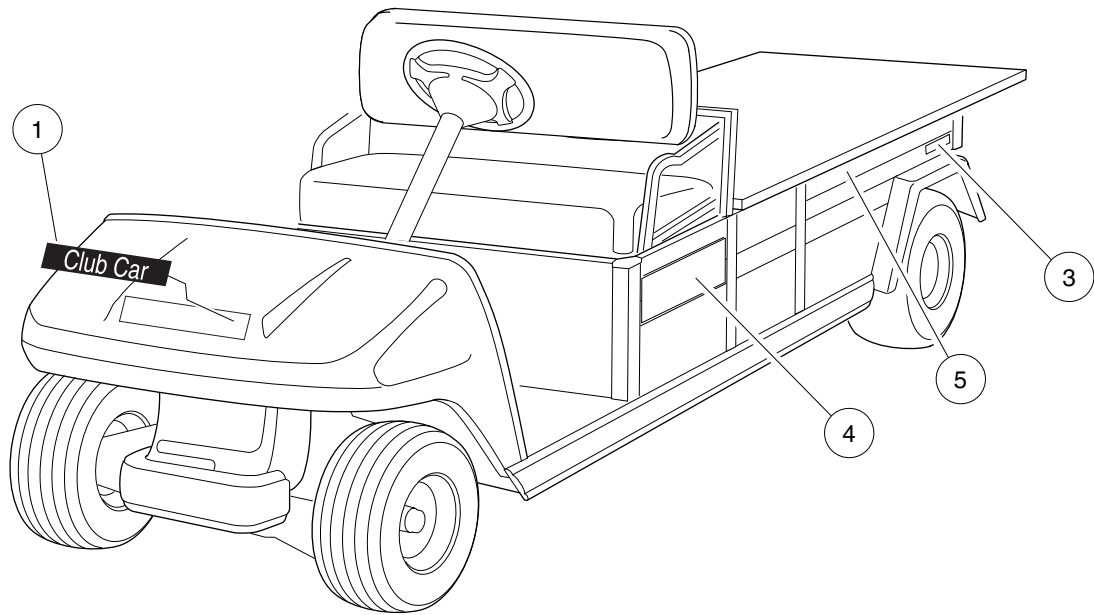


000674-001

BADGING DECALS, CARRYALL 6 – ELECTRIC VEHICLES

ITEM	PART NO.	DESCRIPTION	QTY
		1 2 3 4	
1	N/A	Nameplate Kit (silver)	1
2	N/A	Instl, Decal, Ca6 Iq Plus (includes items 3 through 6)	1
3	102842401	Decal, IQ Plus	2
4	103234301	Decal, Badge, IR	2
5	103261001	Decal Ca 6 Side Panel	2
6	103284201	Decal Ca6/tp4/tp6 Bar	2

3
G
E

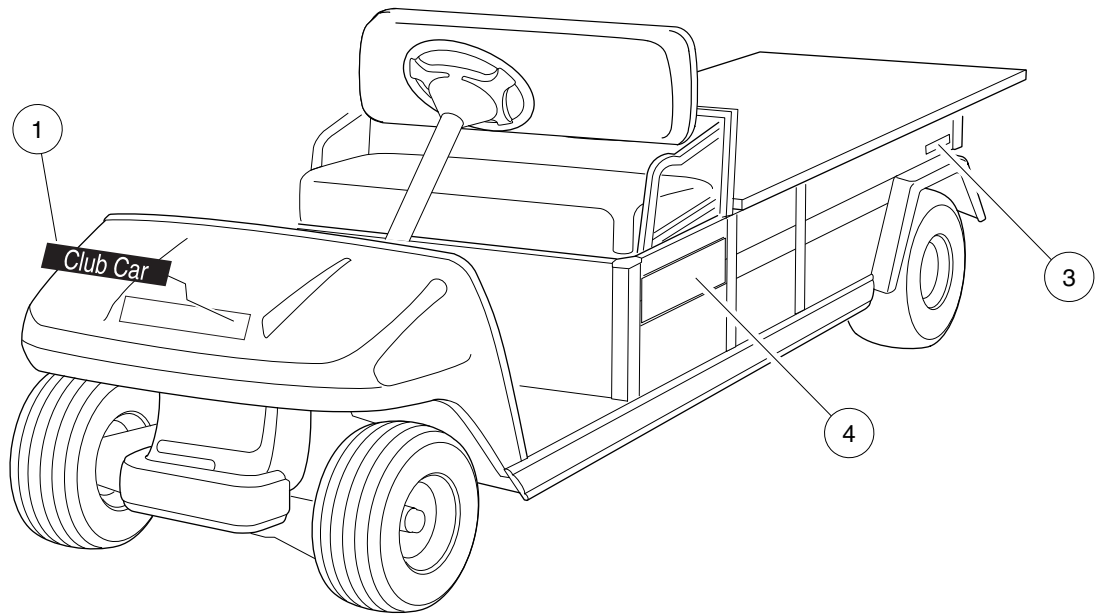


000674-002

BADGING DECALS, CARRYALL 6 – GASOLINE VEHICLES

ITEM	PART NO.	DESCRIPTION	QTY
		1 2 3 4	
1	N/A	Nameplate Kit (silver)	1
2	N/A	Decal Instl Ca Vi Gas (includes items 3 through 5)	1
3	103234301	Decal, Badge, IR	2
4	103261001	Decal Ca 6 Side Panel	2
5	103284201	Decal Ca6/tp4/tp6 Bar	2

3
G
E



000674-003

BADGING DECALS, TURF 6 – GASOLINE VEHICLES

ITEM	PART NO.	DESCRIPTION	QTY
		1 2 3 4	
1	N/A	Nameplate Kit (silver)	1
2	N/A	Decal Instl Turf 6 11 Hp Gas (includes items 3 and 4)	1
3	103234301	Decal, Badge, IR	2
4	103260201	Decal Turf 6 Side Panel	2

3
G
E

3

G

E

BRAKES, PEDAL, AND CABLE ASSEMBLIES

4

G

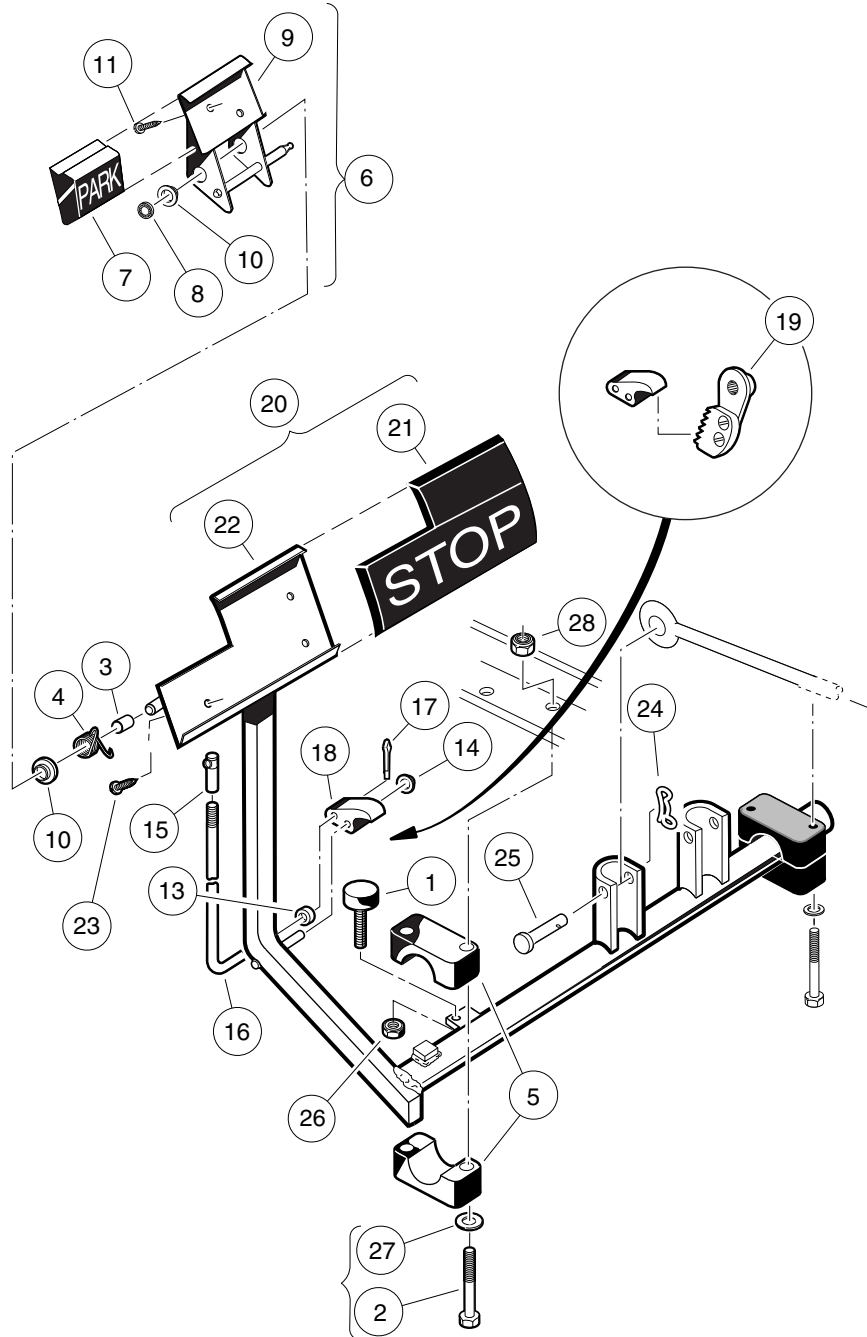
E

REAR BRAKE ASSEMBLY, MANUALLY-ADJUSTED – VEHICLES WITH 4-WHEEL BRAKES

ITEM	PART NO.	DESCRIPTION	QTY
		1 2 3 4	
1	101146302	Kit, Non-Asbestos Brake Shoe (includes item 2)	1
2	N/A	Shoe Brake Manual Adj (Available in Kit, Non-Asbestos Brake Shoe)	4
3	1011464	Package, Brake Spring (includes item 4)	1
4	N/A	Brake Spring	4
5	1013924	Nut, 5/16-24 Hex Head Cone	8
6	1014153	Bolt, Brake Cluster Mounting	8
7	1016557	Cluster, Brake, Driver-Side (includes items 8 through 23)	1
8	1010850	Dust Cover	1
9	N/A	Brake Spring	2
10	1011465	Kit, Brake Actuator	1
11	1011466	Kit, Shoe Retainer (includes items 12 and 13)	1
12	N/A	Pin	2
13	N/A	Shoe Clamp Spring	2
14	1011467	Kit, Anchor Body (includes items 15 through 20)	1
15	1011114	Nut, M6-1.00 Hex	2
16	N/A	Anchor Piston	2
17	N/A	Adjustment Bolt	1
18	N/A	Anchor Body Component	1
19	1011303	Adjustment Bolt Cap	1
20	451	Lockwasher, 1/4 Split	2
21	N/A	Backing Plate, Left-Hand	1
22	N/A	Shoe Brake Manual Adj (Available in Kit, Non-Asbestos Brake Shoe)	2
23	N/A	Arm, Brake Lever	1
24	1016573	Cluster, Brake, Passenger-Side (includes items 25 through 40)	1
25	1010850	Dust Cover	1
26	N/A	Backing Plate, Right-Hand	1
27	N/A	Brake Spring	2
28	1011465	Kit, Brake Actuator	1
29	1011466	Kit, Shoe Retainer (includes items 30 and 31)	1
30	N/A	Pin	2
31	N/A	Shoe Clamp Spring	2
32	1011467	Kit, Anchor Body (includes items 33 through 38)	1
33	1011114	Nut, M6-1.00 Hex	2
34	N/A	Anchor Piston	2
35	N/A	Adjustment Bolt	1
36	N/A	Anchor Body Component	1
37	1011303	Adjustment Bolt Cap	1
38	451	Lockwasher, 1/4 Split	2
39	N/A	Shoe Brake Manual Adj (Available in Kit, Non-Asbestos Brake Shoe)	2
40	N/A	Arm, Brake Lever	1
41	101791101	Drum without Center Hole, Brake	2
		Note: Passenger-side brake cluster not shown. Components have a similar appearance to driver-side brake cluster components.	

4
G
E

4
G
E



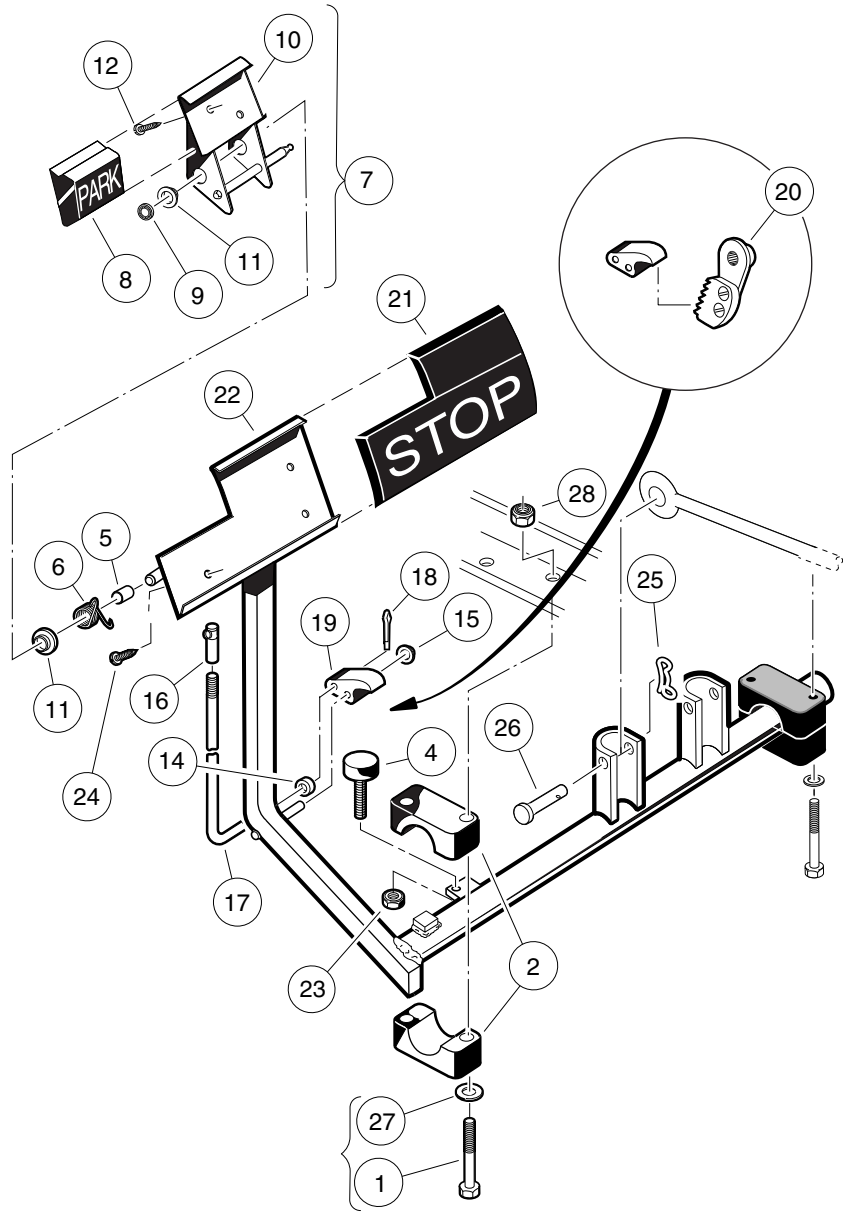
000187-003

BRAKE PEDAL ASSEMBLY – GASOLINE VEHICLES

ITEM	PART NO.	DESCRIPTION	QTY
		1 2 3 4	
1	1010878	Bumper, Rubber	1
2	1010921	Screw, 5/16-18 X 2.50 Hex Cap	4
3	1010927	Hill Brake Spacer	1
4	1010933	Spring, Hill Brake Torsion	1
5	1011402	Package, Brake Mounting Block	1
6	1011418	Kit, Hill Brake Pedal (includes items 7 through 11)	1
7	1013870	Pad, Hill Brake	1
8	1013876	Pushnut, 3/8	1
9	N/A	Hill Brake Weld Assembly	1
10	1032	Bushing, Nylon	2
11	7716	Screw, #10-16 Type AB, Sheet Metal	2
12	101187702	Kit, Hill Brake Latch (includes items 13 through 19)	1
13	1010805	Sleeve, Hill Brake Rod	1
14	1010877	Pushnut, 3/8	1
15	1010932	Ball Joint, 1/4-28	1
16	N/A	Rod, Hill Brake	1
17	1017029	Pin, Cotter, 7/64 x 1/2 Stainless-Steel	1
18	N/A	Pawl, Hill Brake	1
19	N/A	Ratchet Assembly	1
20	101878201	Brake Pedal Kit (includes items 21 through 23)	1
21	1013869	Pad, Brake Pedal	1
22	N/A	Weldment, Brake Pedal 4wb Std	1
23	7716	Screw, #10-16 Type AB, Sheet Metal	3
24	102323101	Pin, Bow Tie Locking	2
25	102323201	Pin, 3/8 X 1-5/16 Clevis	2
26	1028	Nut, 1/4-20 Hex	1
27	1241	Washer, 5/16 Type A Flat	4
28	7473	Locknut, 5/16-18 Nylon Insert	4

4
G
E

4
G
E



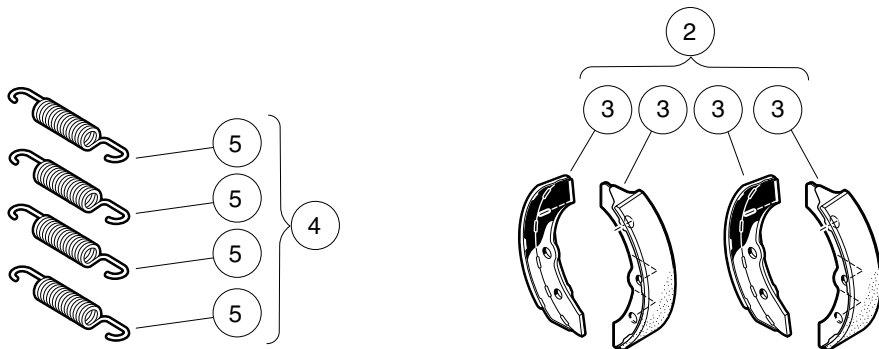
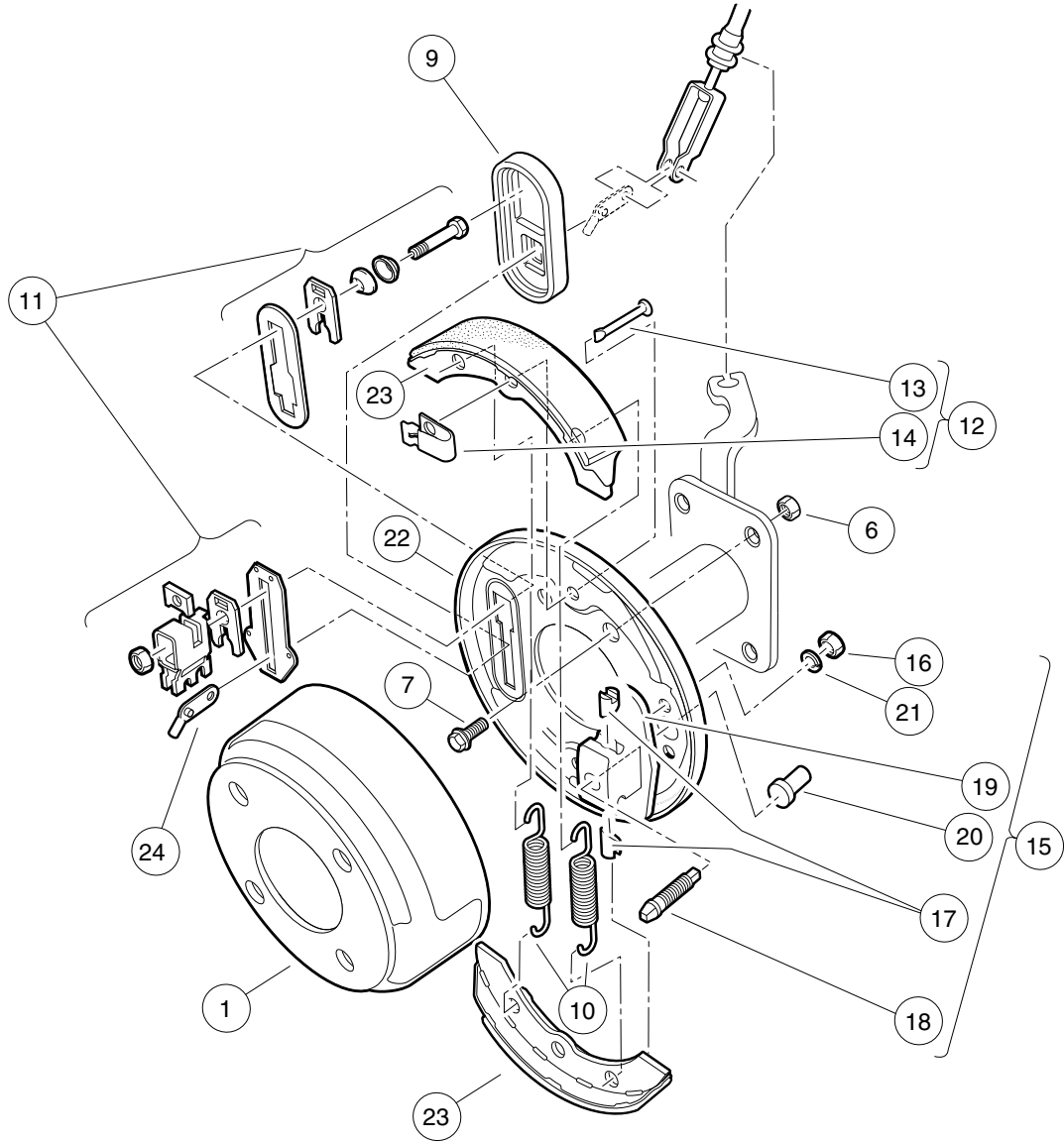
000187-002

BRAKE PEDAL ASSEMBLY – IQ PLUS CARRYALL 6 VEHICLES

ITEM	PART NO.	DESCRIPTION	QTY
		1 2 3 4	
1	1010921	Screw, 5/16-18 X 2.50 Hex Cap	4
2	1011402	Package, Brake Mounting Block	1
3	N/A	Subasm, Pedal Group, 4-Wheel Brake (includes items 4 through 24)	1
4	1010878	Bumper, Rubber	1
5	1010927	Hill Brake Spacer	1
6	1010933	Spring, Hill Brake Torsion	1
7	1011418	Kit, Hill Brake Pedal (includes items 8 through 12)	1
8	1013870	Pad, Hill Brake	1
9	1013876	Pushnut, 3/8	1
10	N/A	Hill Brake Weld Assembly	1
11	1032	Bushing, Nylon	2
12	7716	Screw, #10-16 Type AB, Sheet Metal	2
13	101187702	Kit, Hill Brake Latch (includes items 14 through 20)	1
14	1010805	Sleeve, Hill Brake Rod	1
15	1010877	Pushnut, 3/8	1
16	1010932	Ball Joint, 1/4-28	1
17	N/A	Rod, Hill Brake	1
18	1017029	Pin, Cotter, 7/64 x 1/2 Stainless-Steel	1
19	N/A	Pawl, Hill Brake	1
20	N/A	Ratchet Assembly	1
21	1013869	Pad, Brake Pedal	1
22	N/A	Brake Pedal Weldment	1
23	1028	Nut, 1/4-20 Hex	1
24	7716	Screw, #10-16 Type AB, Sheet Metal	3
25	102323101	Pin, Bow Tie Locking	2
26	102323201	Pin, 3/8 X 1-5/16 Clevis	2
27	1241	Washer, 5/16 Type A Flat	4
28	7473	Locknut, 5/16-18 Nylon Insert	4

4
G
E

4
G
E



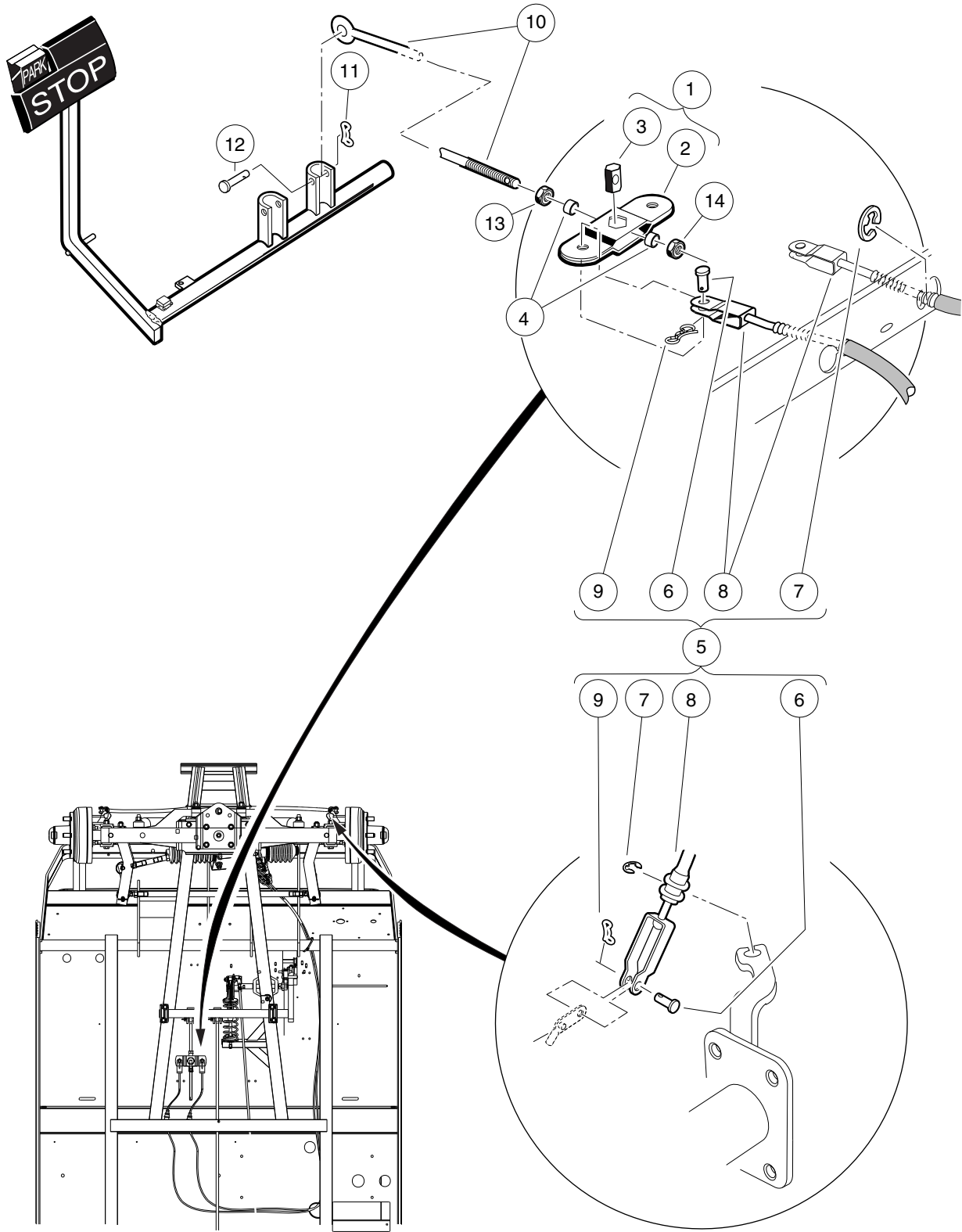
000298-001

FRONT BRAKE ASSEMBLY – VEHICLES WITH FOUR-WHEEL BRAKES

ITEM	PART NO.	DESCRIPTION	QTY
		1 2 3 4	
1	1011137	Drum, Brake	2
2	101146302	Kit, Non-Asbestos Brake Shoe (includes item 3)	1
3	N/A	Shoe Brake Manual Adj (Available in Kit, Non-Asbestos Brake Shoe)	4
4	1011464	Package, Brake Spring (includes item 5)	1
5	N/A	Brake Spring	4
6	1013924	Nut, 5/16-24 Hex Head Cone	8
7	1014153	Bolt, Brake Cluster Mounting	8
8	1016557	Cluster, Brake, Driver-Side (includes items 9 through 24)	1
9	1010850	Dust Cover	1
10	N/A	Brake Spring	2
11	1011465	Kit, Brake Actuator	1
12	1011466	Kit, Shoe Retainer (includes items 13 and 14)	1
13	N/A	Pin	2
14	N/A	Shoe Clamp Spring	2
15	1011467	Kit, Anchor Body (includes items 16 through 21)	1
16	1011114	Nut, M6-1.00 Hex	2
17	N/A	Anchor Piston	2
18	N/A	Adjustment Bolt	1
19	N/A	Anchor Body Component	1
20	1011303	Adjustment Bolt Cap	1
21	451	Lockwasher, 1/4 Split	2
22	N/A	Backing Plate, Left-Hand	1
23	N/A	Shoe Brake Manual Adj (Available in Kit, Non-Asbestos Brake Shoe)	2
24	N/A	Arm, Brake Lever	1
25	1016573	Cluster, Brake, Passenger-Side (includes items 26 through 41)	1
26	1010850	Dust Cover	1
27	N/A	Backing Plate, Right-Hand	1
28	N/A	Brake Spring	2
29	1011465	Kit, Brake Actuator	1
30	1011466	Kit, Shoe Retainer (includes items 31 and 32)	1
31	N/A	Pin	2
32	N/A	Shoe Clamp Spring	2
33	1011467	Kit, Anchor Body (includes items 34 through 39)	1
34	1011114	Nut, M6-1.00 Hex	2
35	N/A	Anchor Piston	2
36	N/A	Adjustment Bolt	1
37	N/A	Anchor Body Component	1
38	1011303	Adjustment Bolt Cap	1
39	451	Lockwasher, 1/4 Split	2
40	N/A	Shoe Brake Manual Adj (Available in Kit, Non-Asbestos Brake Shoe)	2
41	N/A	Arm, Brake Lever	1
		Note: Passenger-side brake cluster not shown. Components have a similar appearance to driver-side brake cluster components.	

4
G
E

4
G
E



000294-001

FRONT BRAKE CABLES AND EQUALIZER – VEHICLES WITH FOUR-WHEEL BRAKES

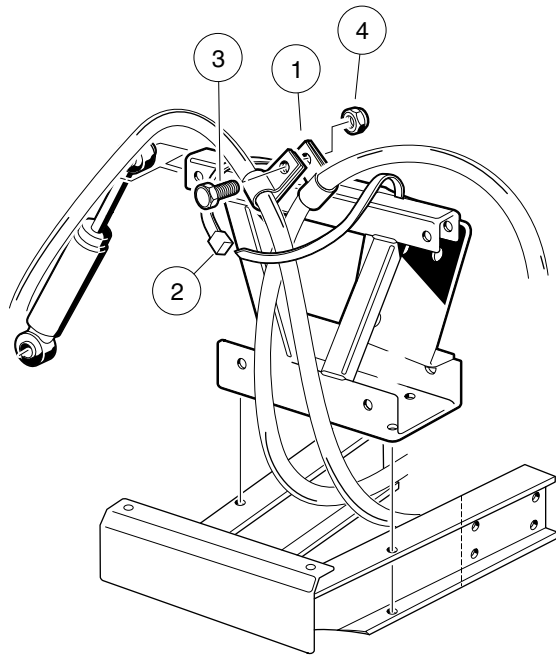
ITEM	PART NO.	DESCRIPTION	QTY
		1 2 3 4	
1	1017211	Kit, Equalizer and Pivot Limiter (includes items 2 and 3)	1
2	N/A	Equalizer Weld Assembly	1
3	N/A	Equalizer, Pivot Limiter	1
4	101865301	Spacer	2
5	101874601	Kit, Brake Cable (includes items 6 through 9)	1
6	1010829	Pin, Clevis, 5/16 X 3/4	4
7	1011779	E-Clip, 1/2	4
8	N/A	Brake Cable	2
9	102292801	Pin, Bow Tie Locking - .072	4
10	101953106	Rod, Equalizer, 9.75"	1
11	102323101	Pin, Bow Tie Locking	1
12	102323201	Pin, 3/8 X 1-5/16 Clevis	1
13	1242	Nut, 5/16-18 Hex	1
14	7473	Locknut, 5/16-18 Nylon Insert	1

4
G
E

4

G

E



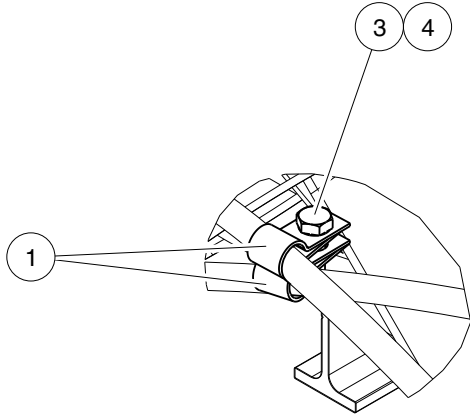
000305-001

FRONT BRAKE CABLE CLIPS AND HARDWARE – GASOLINE VEHICLES

ITEM	PART NO.	DESCRIPTION	QTY
		1 2 3 4	
1	101935301	Clamp, Brake Cable	2
2	102025401	Tie Wrap, Heavy Duty	1
3	320	Screw, 3/8-16 X 1.00 Hex-Head Cap	1
4	8754	Locknut, 3/8-16 Hex	1

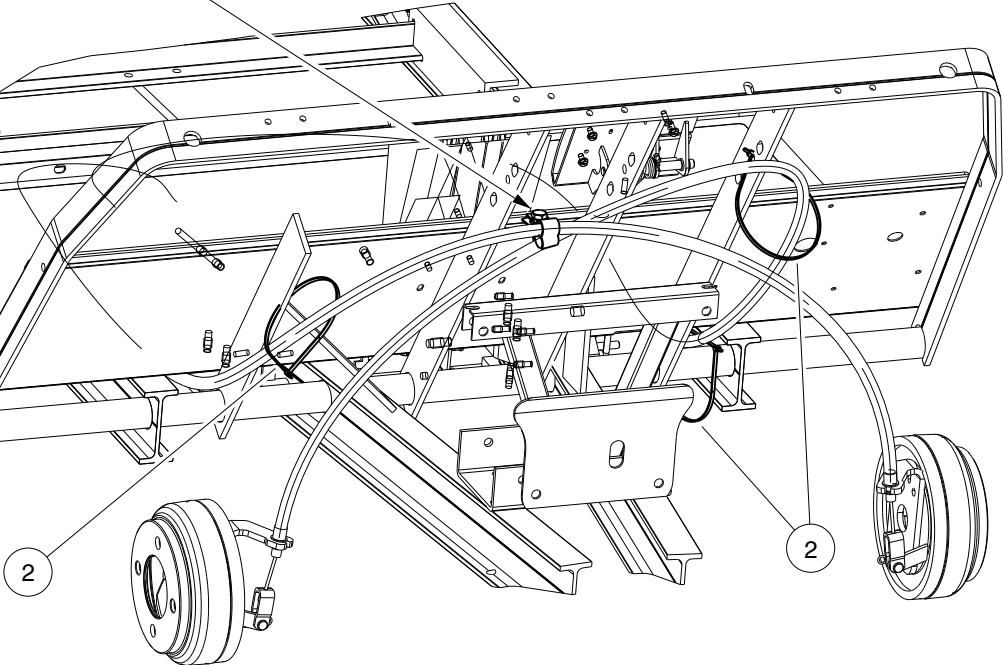
4
G
E

4
G
E



DETAIL G

See Detail G



000305-002

FRONT BRAKE CABLE CLIPS – IQ PLUS CARRYALL 6 VEHICLES

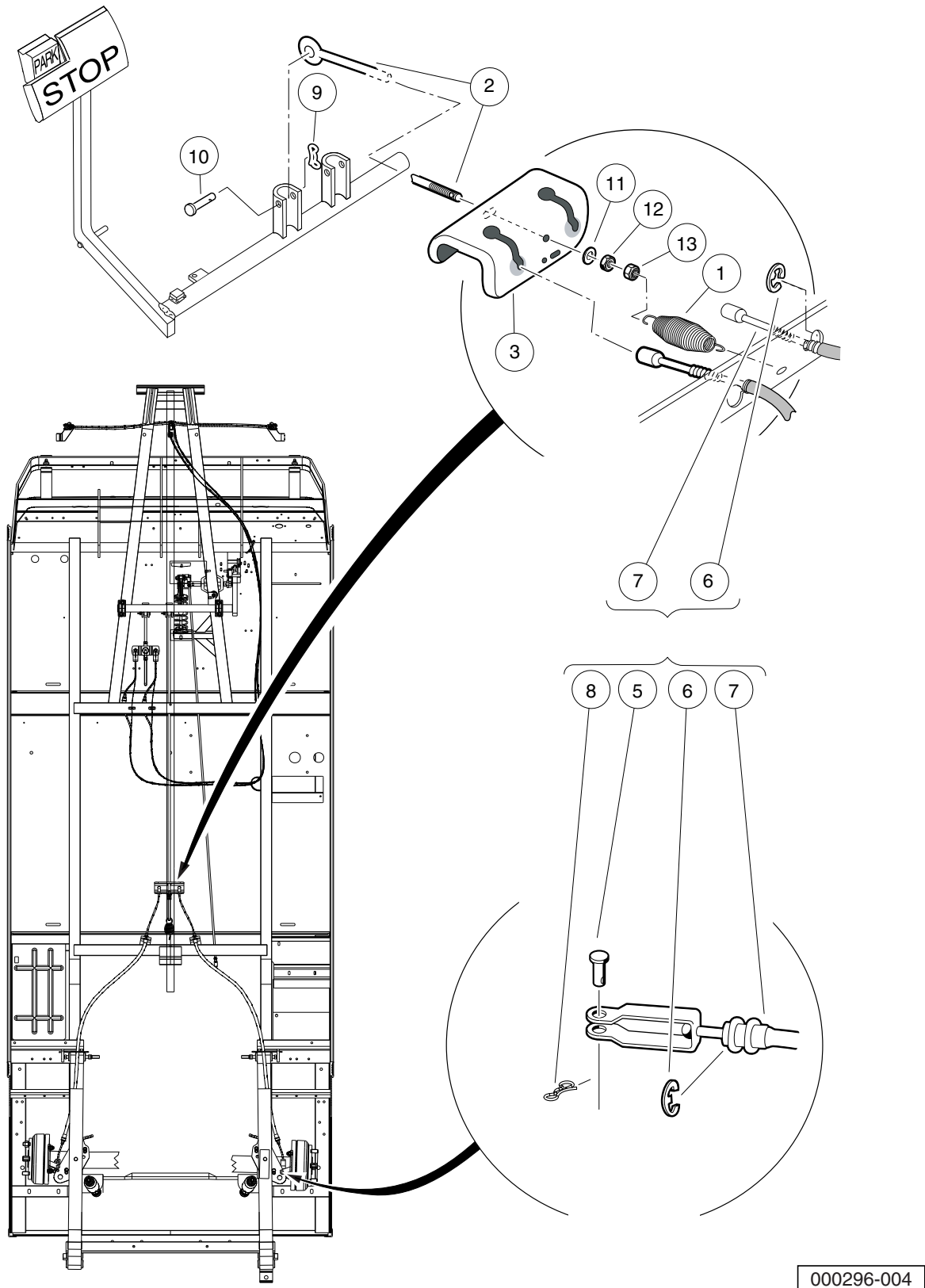
ITEM	PART NO.	DESCRIPTION	QTY
		1 2 3 4	
1	101935301	Clamp, Brake Cable	2
2	102025401	Tie Wrap, Heavy Duty	3
3	320	Screw, 3/8-16 X 1.00 Hex-Head Cap	1
4	8754	Locknut, 3/8-16 Hex	1

4

G

E

4
G
E



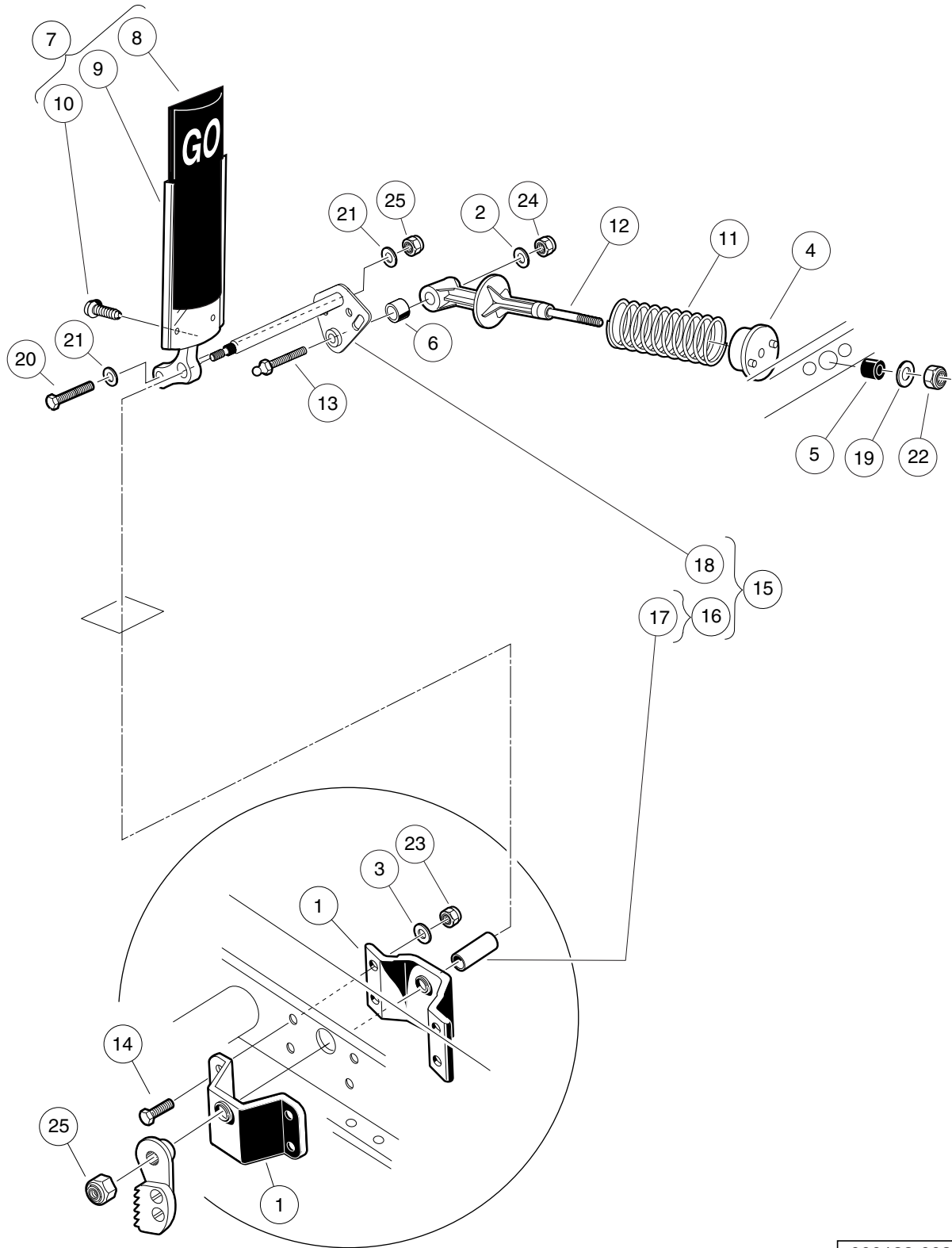
000296-004

REAR BRAKE CABLES AND EQUALIZER

ITEM	PART NO.	DESCRIPTION	QTY
		1 2 3 4	
1	1013531	Spring, Brake Return	1
2	101953103	Rod, Equalizer	1
3	101990801	Equalizer Bracket	1
4	102166901	Kit, Brake Cable Rear (includes items 5 through 8)	1
5	1010829	Pin, Clevis, 5/16 X 3/4	2
6	1011779	E-Clip, 1/2	4
7	N/A	Cable, Brake	2
8	102292801	Pin, Bow Tie Locking - .072	2
9	102323101	Pin, Bow Tie Locking	1
10	102323201	Pin, 3/8 X 1-5/16 Clevis	1
11	1241	Washer, 5/16 Type A Flat	1
12	1242	Nut, 5/16-18 Hex	1
13	7473	Locknut, 5/16-18 Nylon Insert	1

4
G
E

4
G
E



000188-003

ACCELERATOR PEDAL ASSEMBLY – GASOLINE VEHICLE

ITEM	PART NO.	DESCRIPTION	QTY
		1 2 3 4	
1	1011694	Accelerator Bracket and Bearing Assembly	2
2	1011931	Washer, 1/4 Flat	1
3	1014007	Washer, 1/4 Flat	4
4	1017378	Cup, Spring	1
5	1017380	Bumper, Spring Return	1
6	1017424	Bearing, Pivot Support	1
7	N/A	Sub Asm, Accelerator Pedal (includes items 8 through 10)	1
8	1013871	Pad, Accelerator Pedal	1
9	N/A	Accelerator Pedal Weldment	1
10	7716	Screw, #10-16 Type AB, Sheet Metal	4
11	101796201	Spring, Accelerator Return	1
12	101817401	Retainer, Spring	1
13	101818801	Stud, 1/4-28 X 1.35 Ball	1
14	101861901	Screw, 1/4-20 X 1.125 Hex Cap	4
15	102026001	Kit, Accelerator Pivot Rod Assembly (includes items 16 through 18)	1
16	1011700	Spacer Assembly (includes item 17)	1
17	N/A	Spacer, Accelerator	1
18	N/A	Pivot Rod Weldment	1
19	1241	Washer, 5/16 Type A Flat	1
20	1624	Screw, 3/8-16 X 1.50 Hex-Head Cap	1
21	334	Washer, 3/8 Type A Flat	2
22	7473	Locknut, 5/16-18 Nylon Insert	1
23	8233	Locknut, 1/4-20 Nylon Insert	4
24	8717	Locknut, 1/4-28 Nylon Insert	1
25	8754	Locknut, 3/8-16 Hex	2

4
G
E

ACCELERATOR PEDAL ASSEMBLY – ELECTRIC VEHICLES WITH MCOR

ITEM	PART NO.	DESCRIPTION	QTY
		1 2 3 4	
1	1011694	Accelerator Bracket and Bearing Assembly	2
2	1011931	Washer, 1/4 Flat	1
3	1014007	Washer, 1/4 Flat	4
4	1017378	Cup, Spring	1
5	1017380	Bumper, Spring Return	1
6	1017424	Bearing, Pivot Support	1
7	N/A	Sub Asm, Accelerator Pedal (includes items 8 through 10)	1
8	1013871	Pad, Accelerator Pedal	1
9	N/A	Accelerator Pedal Weldment	1
10	7716	Screw, #10-16 Type AB, Sheet Metal	4
11	101796201	Spring, Accelerator Return	1
12	101817401	Retainer, Spring	1
13	101861901	Screw, 1/4-20 X 1.125 Hex Cap	4
14	101862001	Screw, 1/4-20 X 1.500 Flange	1
15	102026001	Kit, Accelerator Pivot Rod Assembly (includes items 16 through 18)	1
16	1011700	Spacer Assembly (includes item 17)	1
17	N/A	Spacer, Accelerator	1
18	N/A	Pivot Rod Weldment	1
19	1241	Washer, 5/16 Type A Flat	1
20	1624	Screw, 3/8-16 X 1.50 Hex-Head Cap	1
21	334	Washer, 3/8 Type A Flat	2
22	7473	Locknut, 5/16-18 Nylon Insert	1
23	8233	Locknut, 1/4-20 Nylon Insert	4
24	8717	Locknut, 1/4-28 Nylon Insert	1
25	8754	Locknut, 3/8-16 Hex	2

4
G
E

ACCELERATOR ROD – GASOLINE VEHICLES

ITEM	PART NO.	DESCRIPTION	QTY
		1 2 3 4	
1	101674702	Rod, Accelerator (includes items 2 through 4)	1
2	1011084	Nut, 1/4-28 Hex Jam	2
3	1011734	Joint, Ball	2
4	N/A	Accelerator Rod Elec Stretch	1

4

G

E

4

G

E

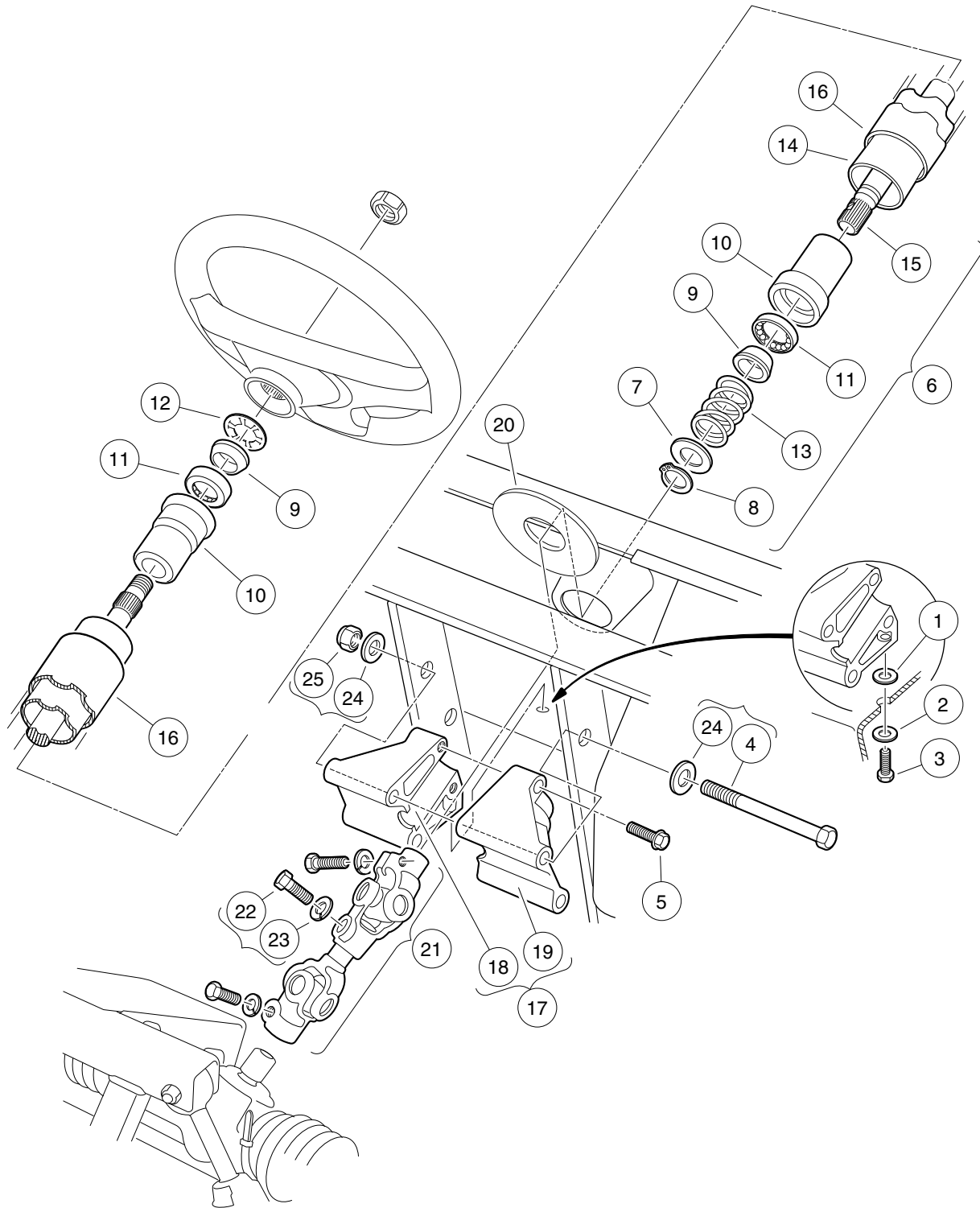
STEERING, FRONT AND REAR SUSPENSION

5

G

E

5
G
E



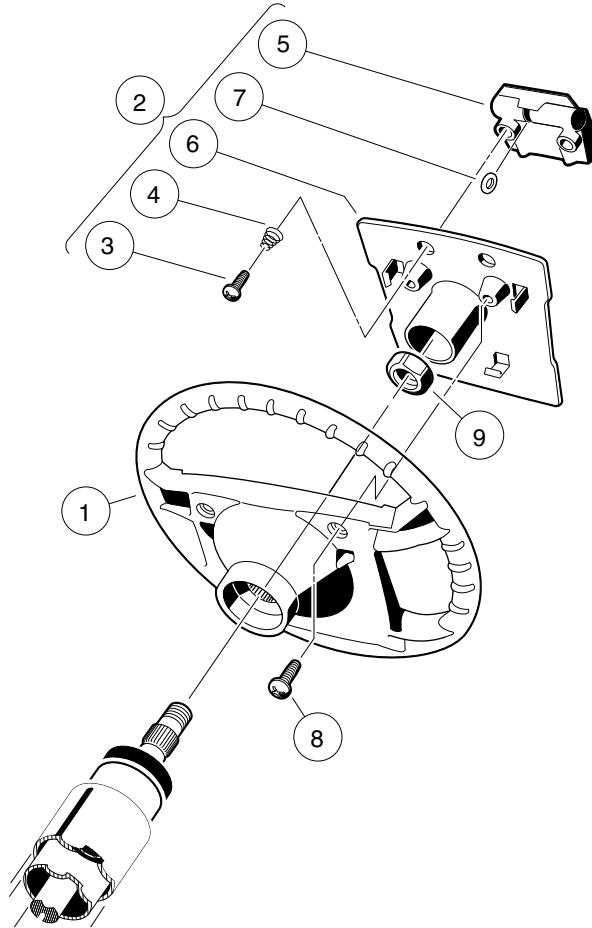
000247-001

STEERING COLUMN

ITEM	PART NO.	DESCRIPTION	QTY
		1 2 3 4	
1	1011578	Washer, 5/16 Type B Flat	1
2	1011697	Washer, 5/16 Flat	1
3	1014288	Screw, 5/16-18 X 0.75 Thread-Forming	1
4	1016183	Screw, 3/8-16 X 7.00 Hex Cap	2
5	1016269	Screw, 5/16-18 Thrd Forming	2
6	1017313	Steering Shaft Assembly (includes items 7 through 15)	1
7	1012604	Washer, 0.675 ID X 1.19 OD	1
8	1012605	Ring, 0.579 Internal Retaining	1
9	1014125	Wedge, Molded	2
10	1014126	Seat, Plastic Bearing	2
11	1014213	Bearing, Ball	2
12	1014214	Ring, Retaining	1
13	1014217	Spring, Steering Shaft	1
14	1017314	Column, Aluminum Steering	1
15	1017315	Shaft Steering Column	1
16	1017317	Tube Cover, Steering Column	1
17	101984801	Kit, Steering Column Mounting Bracket (includes items 18 and 19)	1
18	N/A	Bracket, RH Steering Column Mount	1
19	N/A	Bracket, LH Steering column mount	1
20	102278001	Boot, Steering Column Round	1
21	103601601	Shaft, Intermediate Steering (includes items 22 and 23)	1
22	1017226	Bolt, Hex-Head, 8mm X 1.25 - 30	3
23	7174	Lockwasher, 5/16 Split	3
24	334	Washer, 3/8 Type A Flat	4
25	8754	Locknut, 3/8-16 Hex	2

5
G
E

5
G
E

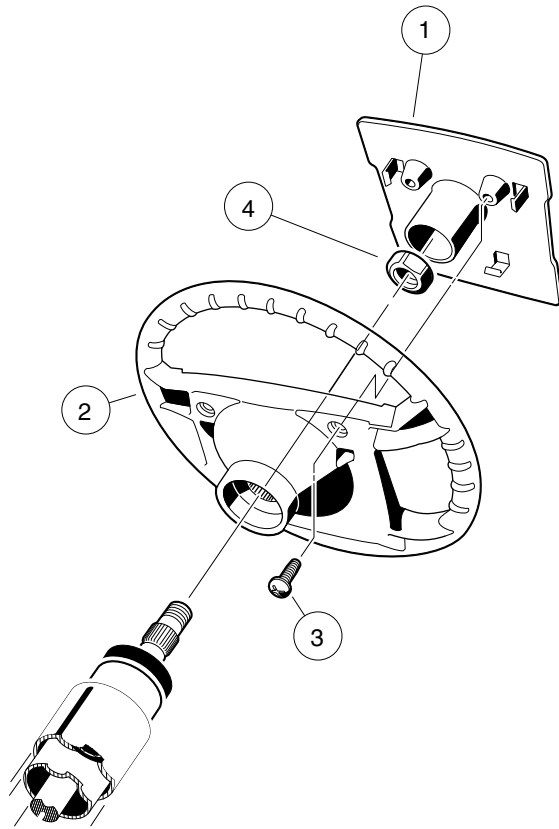


000246-002

STEERING WHEEL – TURF VEHICLES

ITEM	PART NO.	DESCRIPTION	QTY
		1 2 3 4	
1	1016156	Wheel, Steering	1
2	1016219	Plate, Scorecard (includes items 3 through 7)	1
3	1012565	Screw, #12 Phillips Round Head	2
4	1012566	Tapered Compression Spring	2
5	1016154	Clip, Scorecard	1
6	N/A	Plate, Score Card	1
7	N/A	Pencil Grip	1
8	1016663	Screw, #12-14 X 0.625	2
9	1017273	Nut, 5/8-18 Nylon Insert Jam	1

5
G
E



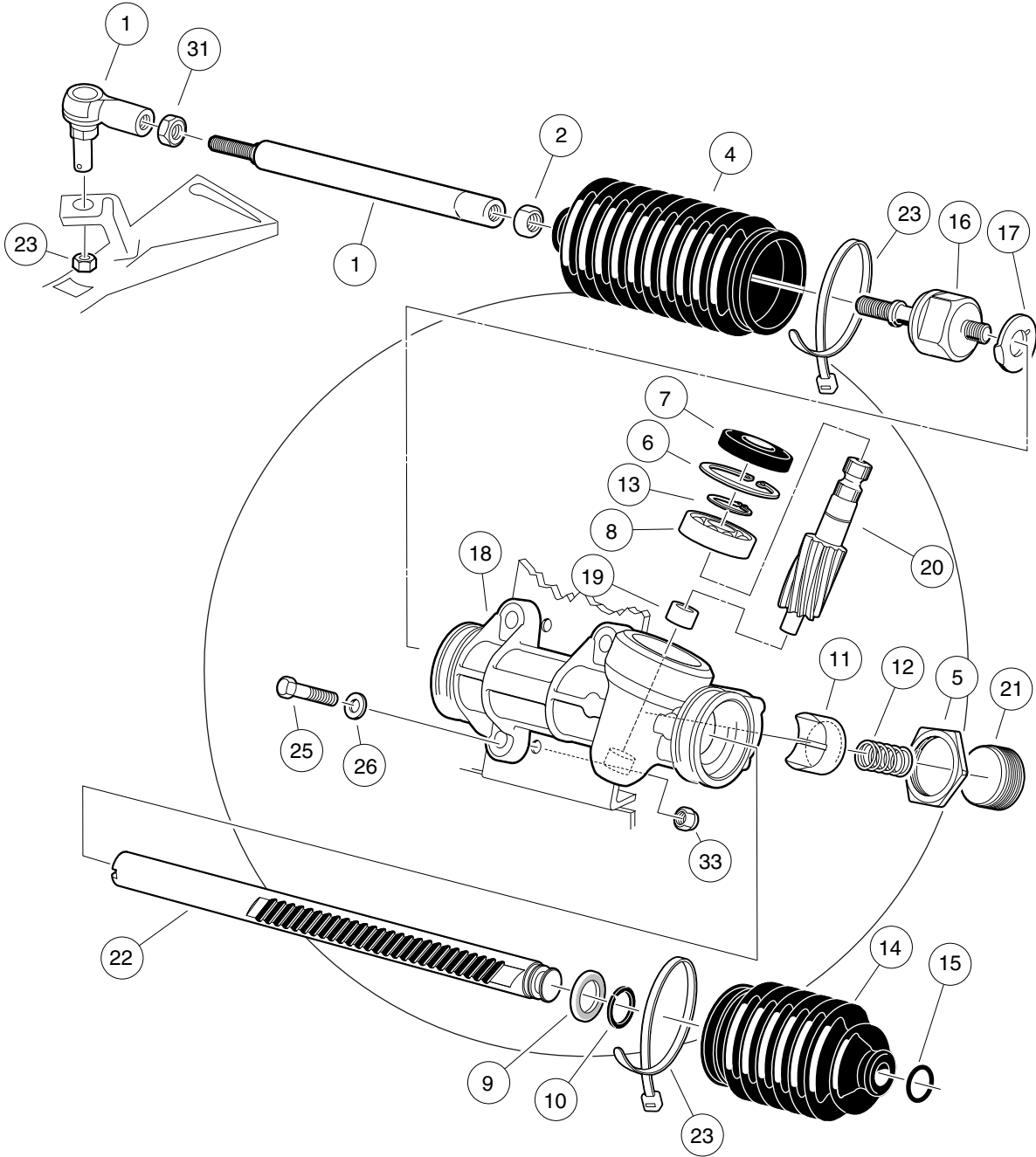
000246-003

STEERING WHEEL – CARRYALL VEHICLES

ITEM	PART NO.	DESCRIPTION	QTY
		1 2 3 4	
1	101615504	Plate, Scorecard	1
2	1016156	Wheel, Steering	1
3	1016663	Screw, #12-14 X 0.625	2
4	1017273	Nut, 5/8-18 Nylon Insert Jam	1

5
G
E

5
G
E

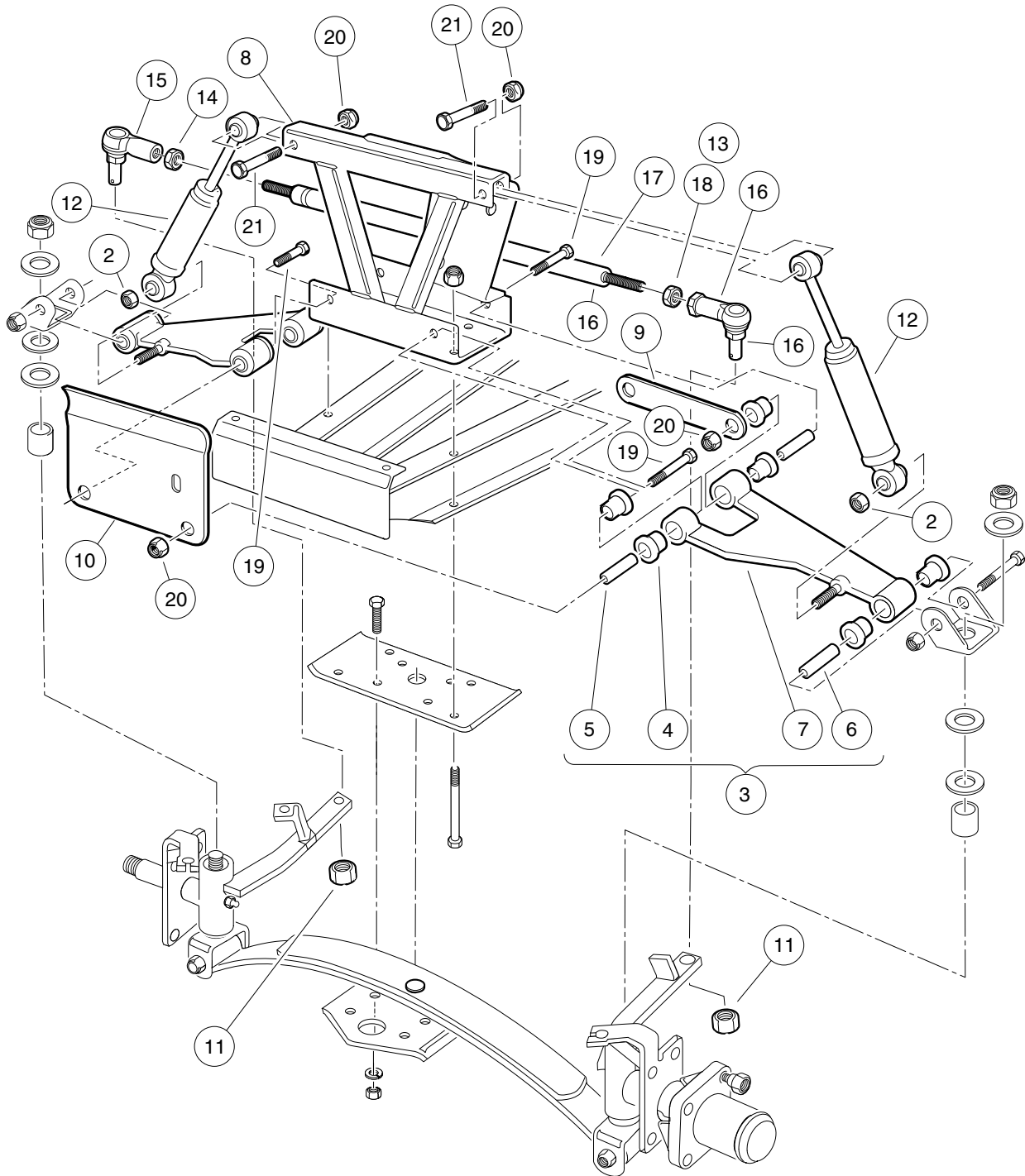


000189-001

STEERING GEAR ASSEMBLY

ITEM	PART NO.	DESCRIPTION	QTY	5
		1 2 3 4		
1	1012467	Link, Rack and Pinion Drag	1	G
2	1013042	Nut, 12mm Hex	1	E
3	N/A	Steering Gear Assembly (without yoke) (includes items 4 through 23)	1	
4	1013035	Bellows, Long	1	
5	1013044	Rack Screw Locknut	1	
6	1013051	Snap Ring	1	
7	1013052	Seal, Steering Pinion Dust	1	
8	101879401	Bearing, Ball	1	
9	101879501	Stop Washer	1	
10	101879601	Stop Ring, C-Type	1	
11	101879701	Support Yoke	1	
12	101879801	Rack Guide Pressure Spring	1	
13	101879901	Ring, Stop, C-Type	1	
14	101880001	Bellows, Short	1	
15	101880101	Dust Seal Retaining Ring	1	
16	101880201	Inner Ball Joint Asm	1	
17	101880301	Washer, Tab	1	
18	N/A	Box, Steering Gear	1	
19	N/A	Bearing, Lower Pinion	1	
20	N/A	Pinion, Steering	1	
21	N/A	Screw, Rack Guide	1	
22	N/A	Rack, Steering	1	
23	8990	Tie Wrap, 8" Nylon	2	
24	1035	Cotter Pin, 3/32 x 1	1	
25	1624	Screw, 3/8-16 X 1.50 Hex-Head Cap	3	
26	334	Washer, 3/8 Type A Flat	3	
27	7540	Ball Joint, Left (includes items 28 through 31)	1	
28	N/A	Socket, LH Vertical	1	
29	1011930	Seal, Vertical Socket Dust	1	
30	1015597	Fitting, 1/4-28 Thread-Forming Grease	1	
31	7602	Nut, 3/8-24 UNF Hex	1	
32	7555	Nut, 1/2-20 Hex, Left-Hand Thread	1	
33	8754	Locknut, 3/8-16 Hex	3	

5
G
E



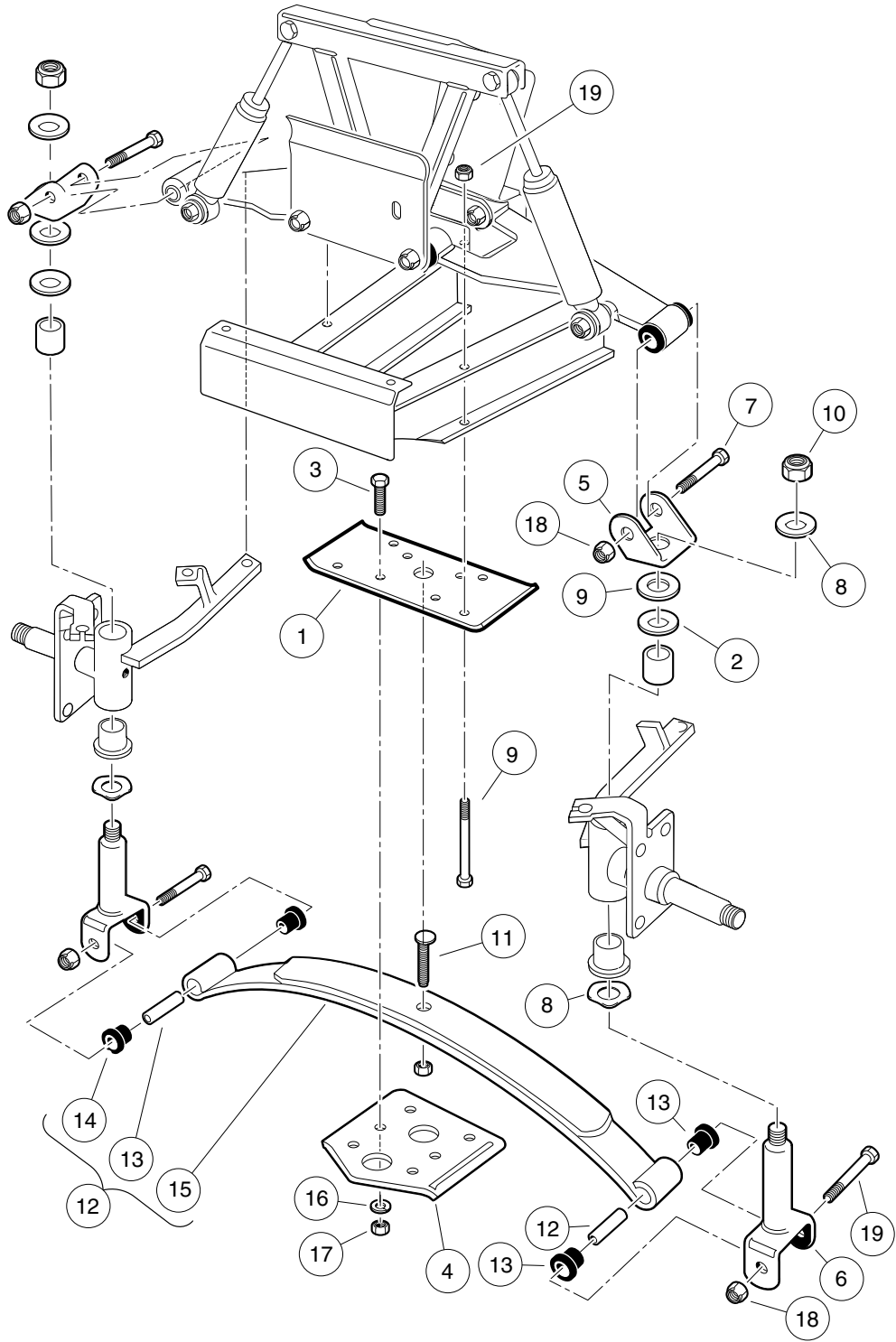
000314-004

FRONT SUSPENSION, UPPER

ITEM	PART NO.	DESCRIPTION	QTY
		1 2 3 4	
1	N/A	Sub-Assembly, Front Suspension (includes items 2 through 20)	1
2	1010138	Locknut, 3/8-16 Dimpled	2
3	1016353	Sub-Assembly, Delta A-Plate (includes items 4 through 7)	2
4	1016346	Bushing, Urethane	6
5	1016349	Sleeve, Delta Inner	2
6	1016350	Sleeve, Delta Outer	1
7	N/A	Delta A-Plate	1
8	1016385	Delta Shock and Gear Support Assembly	1
9	1017266	A-Plate Strap	1
10	101955001	Brake Cable Guide Bracket	1
11	102289201	Nut - Hex Locking, M12 X 1.25	3
12	103351001	Shock Absorber, Front, Common	2
13	N/A	Asm, Tie Rod (includes items 14 through 18)	1
14	1013042	Nut, 12mm Hex	1
15	102022601	End, Tie Rod M12 X 1.25 Rh	1
16	102022602	End, Tie Rod, M12 X 1.25, Lh	1
17	103354701	Rod, Tie, Male Thd	1
18	103653501	Nut, Jam, M12-1.25, Lh	1
19	2402	Screw, 3/8-16 X 2.25 Hx Hd Cap	4
20	8754	Locknut, 3/8-16 Hex	13

5
G
E

5
G
E



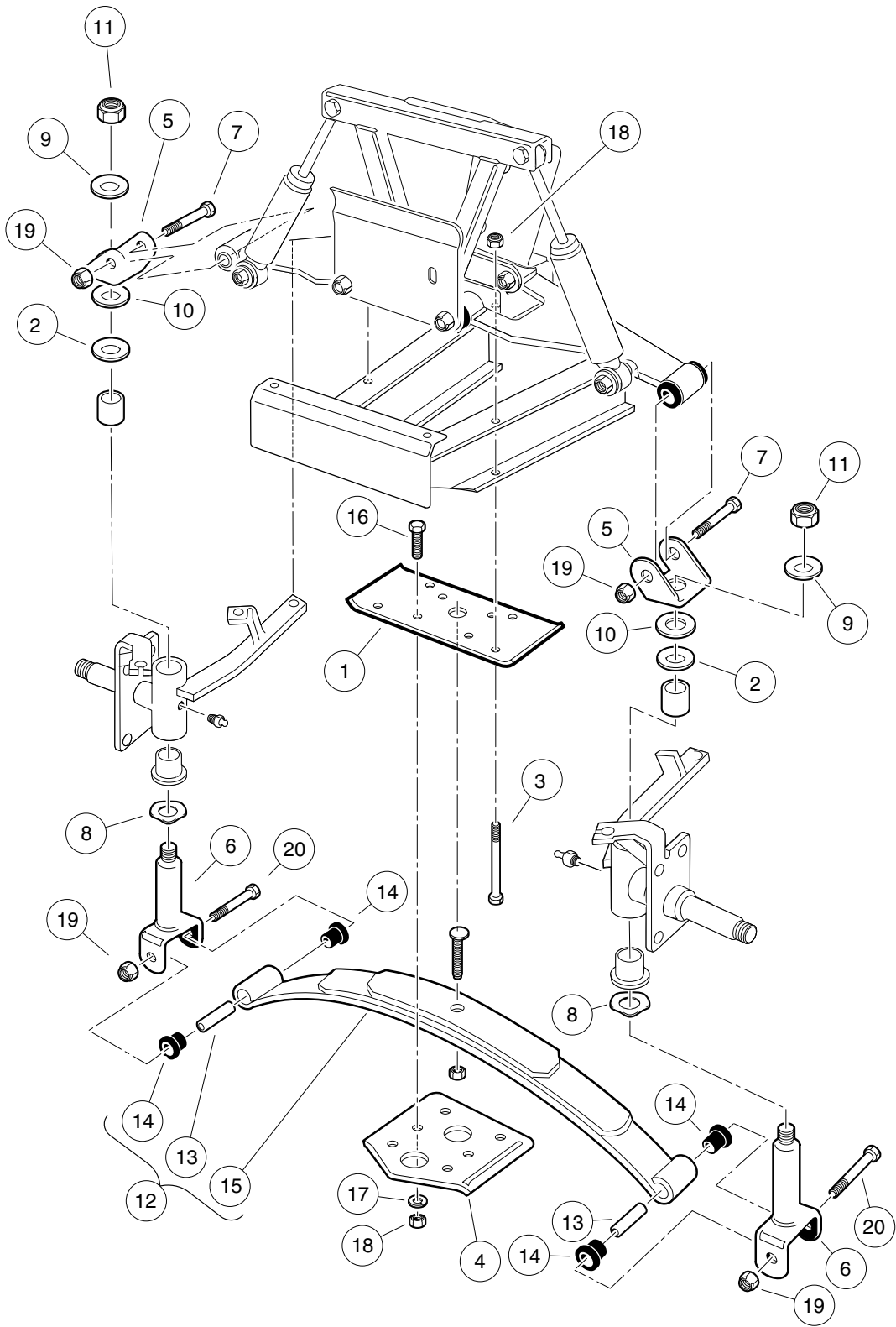
000313-001

FRONT SUSPENSION, LOWER – STANDARD GASOLINE VEHICLE

ITEM	PART NO.	DESCRIPTION	QTY
		1 2 3 4	
1	1010124	Plate, Spring Mount	1
2	1010150	Bearing, Thrust	2
3	1014276	Plate, Front Spring Retainer	1
4	1016384	Clevis, Delta Upper	2
5	1016386	King Pin Assembly	2
6	1016387	Screw, 3/8-16 X 2.75 Hx Hd Cap	2
7	1016389	Washer, 1.125 Od Wave	2
8	102564002	Washer-1/2 Conical, Yellow	2
9	102684501	Washer, M12 Hard Regular	2
10	102766301	Nut, 1/2-20, Center Lock	2
11	103628801	Spring Asm, Front, 2 Leaf (includes items 12 through 14)	1
12	1012303	Bushing, Steel	2
13	1015583	Bushing, Urethane	4
14	N/A	Spring, Front, 2 Leaf	1
15	2402	Screw, 3/8-16 X 2.25 Hx Hd Cap	4
16	357	Lockwasher, 3/8 Split	4
17	706	Nut, Hex 3/8-16	4
18	7270	Bolt, 3/8-16 X 4.50 Hex Head	4
19	8754	Locknut, 3/8-16 Hex	8
20	8755	Screw, 3/8-16 X 3.375 Hex Cap	2

5
G
E

5
G
E



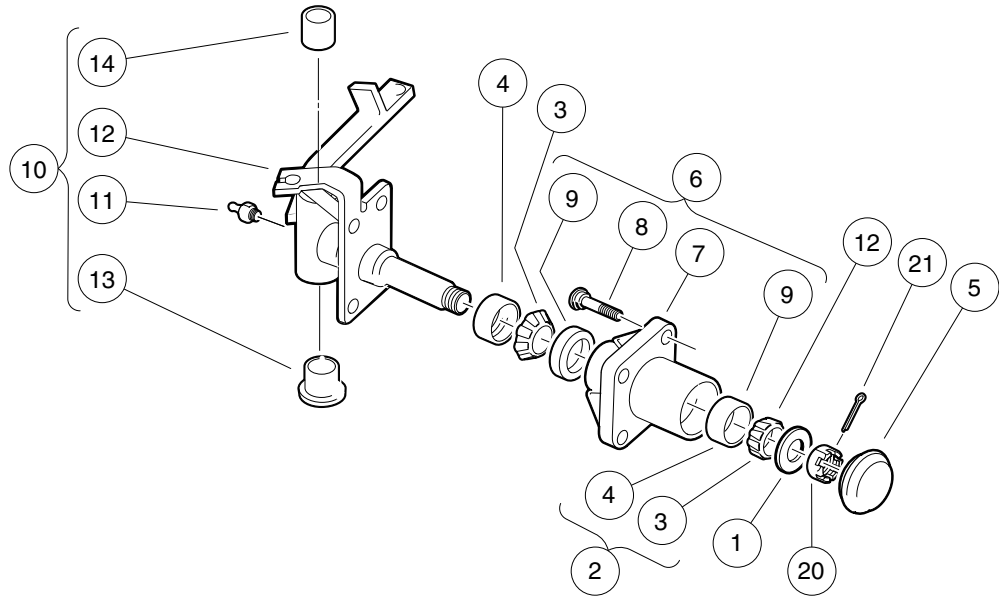
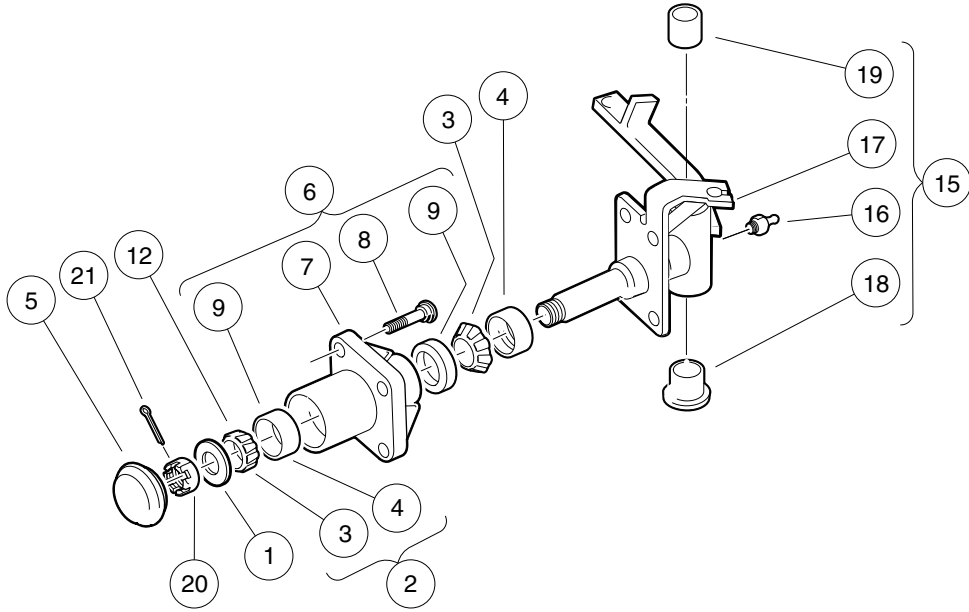
000313-002

FRONT SUSPENSION, LOWER – ELECTRIC AND HEAVY DUTY GASOLINE VEHICLES

ITEM	PART NO.	DESCRIPTION	QTY
		1 2 3 4	
1	1010124	Plate, Spring Mount	1
2	1010150	Bearing, Thrust	2
3	1010200	Bolt, 3/8-16 X 4.25 Hex Head	4
4	1014276	Plate, Front Spring Retainer	1
5	1016384	Clevis, Delta Upper	2
6	1016386	King Pin Assembly	2
7	1016387	Screw, 3/8-16 X 2.75 Hx Hd Cap	2
8	1016389	Washer, 1.125 Od Wave	2
9	102564002	Washer-1/2 Conical, Yellow	2
10	102684501	Washer, M12 Hard Regular	2
11	102766301	Nut, 1/2-20, Center Lock	2
12	103628901	Spring Asm, Front, 3 Leaf (includes items 13 through 15)	1
13	1012303	Bushing, Steel	2
14	1015583	Bushing, Urethane	4
15	N/A	Spring, Front, 3 Leaf	1
16	2402	Screw, 3/8-16 X 2.25 Hx Hd Cap	4
17	357	Lockwasher, 3/8 Split	4
18	706	Nut, Hex 3/8-16	4
19	8754	Locknut, 3/8-16 Hex	8
20	8755	Screw, 3/8-16 X 3.375 Hex Cap	2

5
G
E

5
G
E



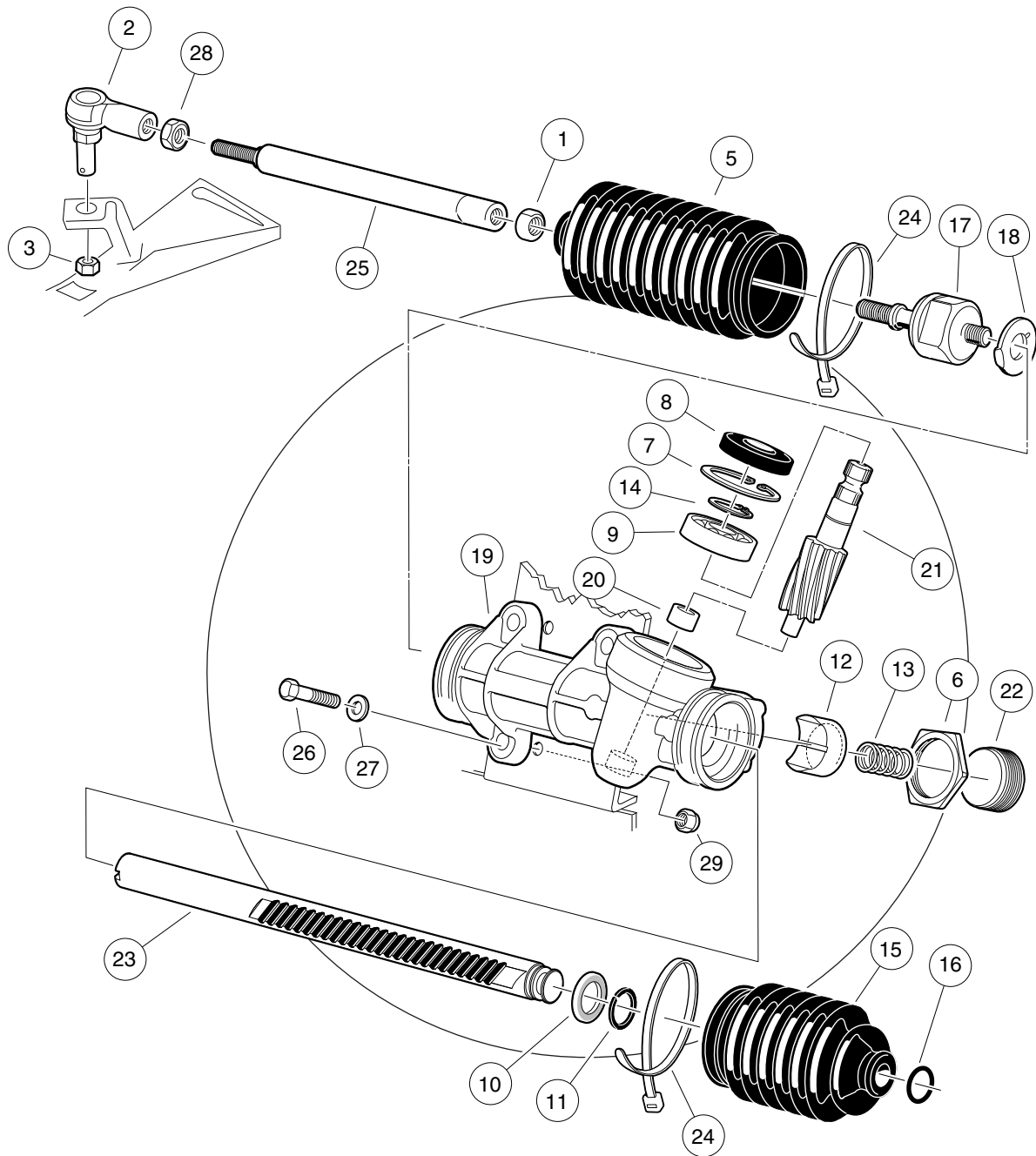
000310-002

FRONT SPINDLES AND HUBS – VEHICLES WITH FOUR-WHEEL BRAKES

ITEM	PART NO.	DESCRIPTION	QTY
		1 2 3 4	
1	1010005	Washer, 3/4 Flat	2
2	1011393	Hub Bearing Package (includes items 3 and 4)	4
3	N/A	Bearing, Front Hub Wheel	1
4	N/A	Race, Front Hub Bearing	1
5	1011887	Dust Cover	2
6	N/A	Hub (includes items 7 through 9)	2
7	N/A	Front Hub	1
8	103477901	Lug Stud, 1/2-20 Unf, 4037	4
9	N/A	Race, Front Hub Bearing	2
10	103717302	Asm, Spindle, Lh, 4wb, Sp (includes items 11 through 14)	1
11	1015597	Fitting, 1/4-28 Thread-Forming Grease	1
12	N/A	Subasm, Spindle, Lh, 4wb	1
13	7048	Bushing, Flanged Bronze	1
14	8067	Bushing, Bronze Spindle	1
15	103717402	Asm, Spindle, Rh, 4wb, Sp (includes items 16 through 19)	1
16	1015597	Fitting, 1/4-28 Thread-Forming Grease	1
17	N/A	Subasm, Spindle, Rh, 4wb	1
18	7048	Bushing, Flanged Bronze	1
19	8067	Bushing, Bronze Spindle	1
20	7840	Nut, 3/4-16 Hex Slotted	2
21	7910	Pin, 5/32 X 1.00 Cotter	2

5
G
E

5
G
E

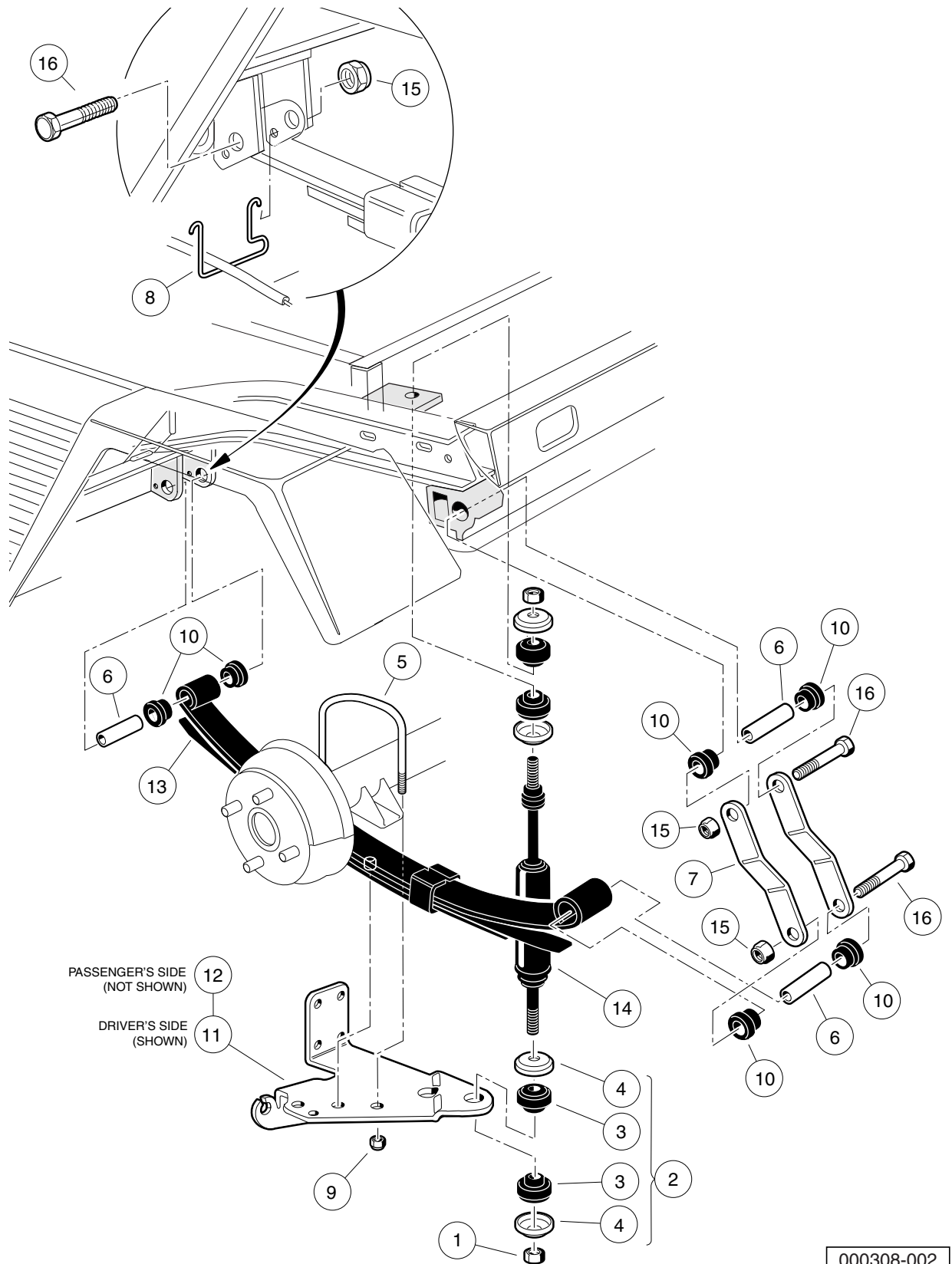


000960-001

STEERING GEAR ASSEMBLY

ITEM	PART NO.	DESCRIPTION	QTY	
		1 2 3 4		5
1	1013042	Nut, 12mm Hex	1	G
2	102022602	End, Tie Rod, M12 X 1.25, Lh	1	E
3	102289201	Nut - Hex Locking, M12 X 1.25	3	
4	103601501	Asm, Steering Rack And Pinion (includes items 5 through 24)	1	
5	1013035	Bellows, Long	1	
6	1013044	Rack Screw Locknut	1	
7	1013051	Snap Ring	1	
8	1013052	Seal, Steering Pinion Dust	1	
9	101879401	Bearing, Ball	1	
10	101879501	Stop Washer	1	
11	101879601	Stop Ring, C-Type	1	
12	101879701	Support Yoke	1	
13	101879801	Rack Guide Pressure Spring	1	
14	101879901	Ring, Stop, C-Type	1	
15	101880001	Bellows, Short	1	
16	101880101	Dust Seal Retaining Ring	1	
17	101880201	Inner Ball Joint Asm	1	
18	101880301	Washer, Tab	1	
19	N/A	Box, Steering Gear	1	
20	N/A	Bearing, Lower Pinion	1	
21	N/A	Pinion, Steering	1	
22	N/A	Screw, Rack Guide	1	
23	N/A	Rack, Steering	1	
24	8990	Tie Wrap, 8" Nylon	2	
25	103653401	Link, Drag, Male Thd	1	
26	1624	Screw, 3/8-16 X 1.50 Hex-Head Cap	3	
27	334	Washer, 3/8 Type A Flat	3	
28	7555	Nut, 1/2-20 Hex, Left-Hand Thread	1	
29	8754	Locknut, 3/8-16 Hex	3	

5
G
E



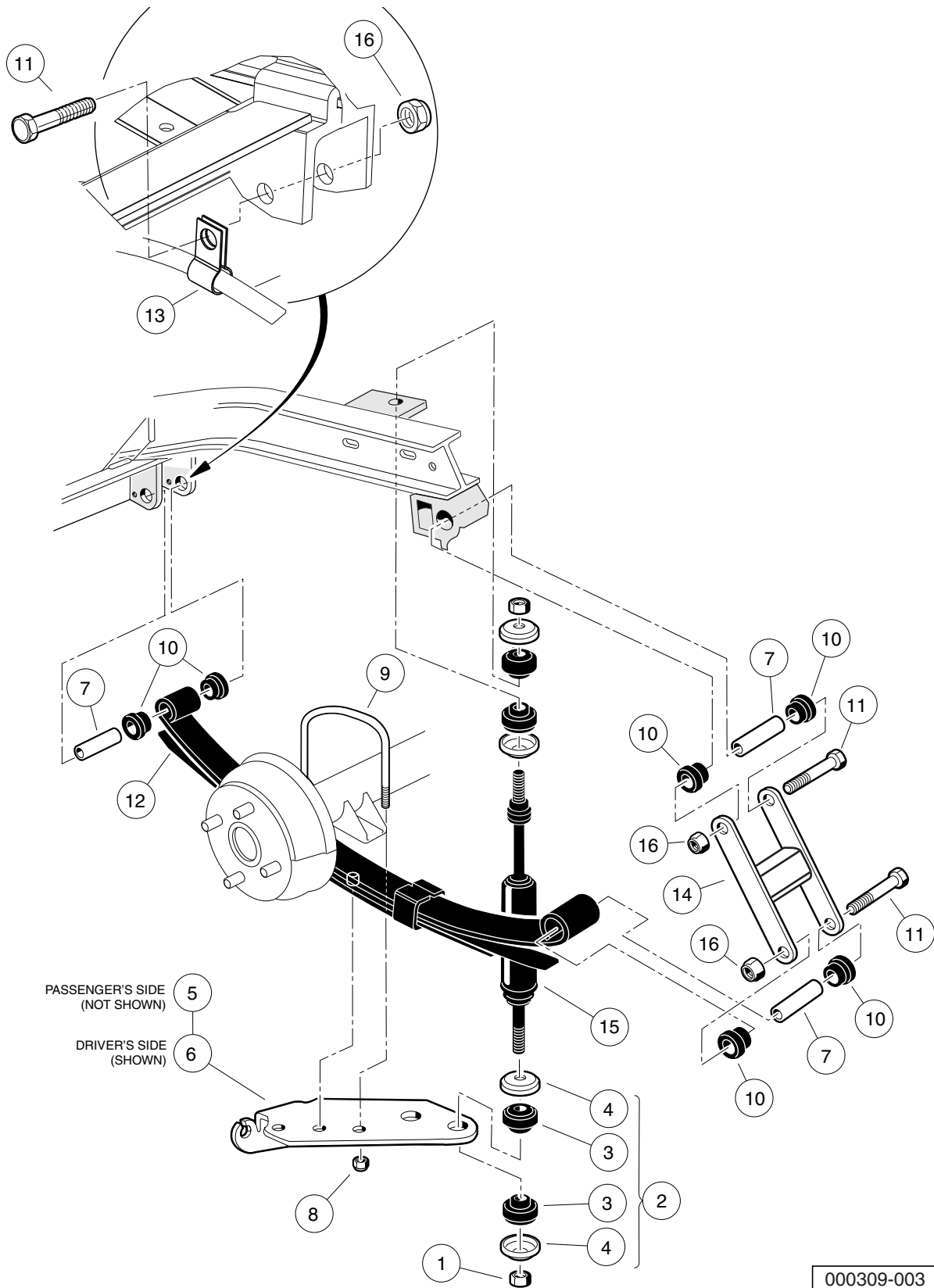
000308-002

REAR SUSPENSION – TURF/CARRYALL 6 GASOLINE WITH STABILIZER BAR

ITEM	PART NO.	DESCRIPTION	QTY
		1 2 3 4	
1	1010145	Nut, 3/8-24 Hex	4
2	1011415	Kit, Shock Absorber Cushion (includes items 3 and 4)	4
3	N/A	Cushion, Shock Absorber	2
4	N/A	Retainer, Shock Absorber Cushion	2
5	1012180	U-Bolt	2
6	1012303	Bushing, Steel	6
7	1012304	Shackle, Rear Spring	4
8	1013207	Hanger, Brake Cable	2
9	1014555	Locknut, 7/16-14 Nylon Hex	4
10	1015583	Bushing, Urethane	12
11	101926501	Bracket, Left-Hand	1
12	101929401	Bracket, Right	1
13	N/A	Spring, Multi Leaf	2
14	103350901	Shock Absorber, Rear, Utility	2
15	8754	Locknut, 3/8-16 Hex	6
16	8755	Screw, 3/8-16 X 3.375 Hex Cap	6
<p>Note: Only the driver-side rear suspension is shown. Parts for the passenger-side rear suspension are identical except for the leaf spring/shock mounting plate.</p>			

5
G
E

5
G
E



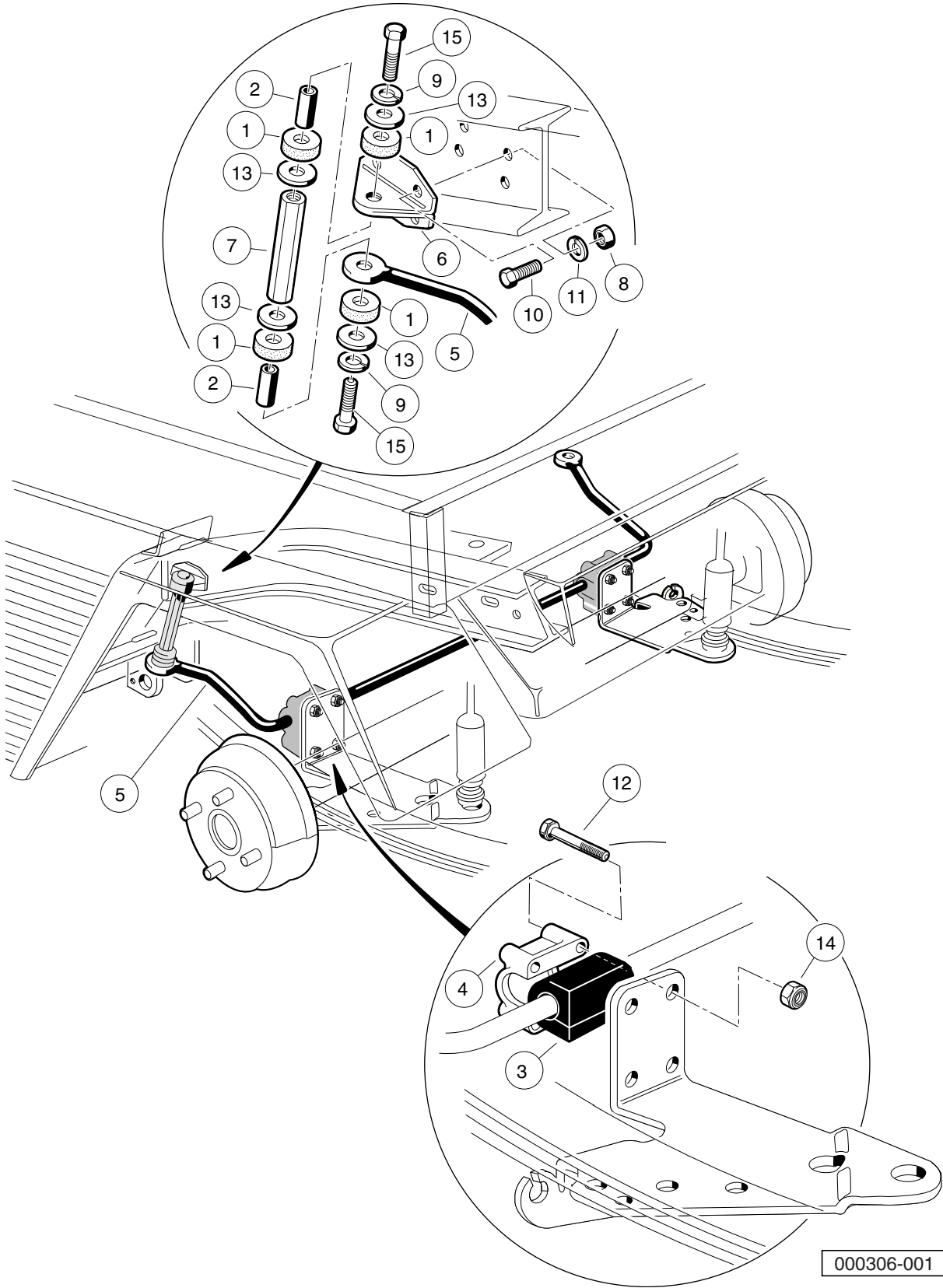
000309-003

REAR SUSPENSION – CARRYALL 6 IQ PLUS VEHICLES

ITEM	PART NO.	DESCRIPTION	QTY
		1 2 3 4	
1	1010145	Nut, 3/8-24 Hex	4
2	1011415	Kit, Shock Absorber Cushion (includes items 3 and 4)	4
3	N/A	Cushion, Shock Absorber	2
4	N/A	Retainer, Shock Absorber Cushion	2
5	1012181	Bracket, Shock Mounting, Right (Passenger)	1
6	1012182	Bracket, Shock Mounting, Left (Driver)	1
7	1012303	Bushing, Steel	6
8	1014555	Locknut, 7/16-14 Nylon Hex	4
9	1014902	U-Bolt	2
10	1015583	Bushing, Urethane	12
11	102066201	Screw, 3/8-16 X 3.50 Hex Cap	6
12	N/A	Spring, Multi Leaf	2
13	102891101	Clamp, Cable, Brake, Sym	2
14	102917101	Weldment, Shackle	2
15	103351101	Shock, Absorber, Utility	2
16	8754	Locknut, 3/8-16 Hex	6
<p>Note: Only the driver-side rear suspension is shown. Parts for the passenger-side rear suspension are identical except for the leaf spring/shock mounting plate.</p>			

5
G
E

5
G
E



000306-001

STABILIZER BAR – TURF/CARRYALL 6 GASOLINE VEHICLES

ITEM	PART NO.	DESCRIPTION	QTY
		1 2 3 4	
1	1015453	Compression Mount	8
2	1015457	Spacer, 0.720"	4
3	1015613	Bushing, Stabilizer Bar	2
4	1015614	Support, Bushing	2
5	1015760	Stabilizer Bar	1
6	1016813	Mounting Bracket, Stabilizer Bar	2
7	1016814	Link, Stabilizer Bar	2
8	1242	Nut, 5/16-18 Hex	8
9	357	Lockwasher, 3/8 Split	4
10	7173	Screw, 5/16-18 X 0.75 Hex-Head Cap	8
11	7174	Lockwasher, 5/16 Split	8
12	7311	Screw, 1/4-20 X 2.00 Hex-Head Cap	8
13	808	Washer, 3/8 Type B Flat	8
14	8233	Locknut, 1/4-20 Nylon Insert	8
15	8861	Bolt, 3/8-16 X 1.75 Hex	4
<p>Note: Only the driver side of the stabilizer bar is shown. Parts for the passenger side of the stabilizer bar are identical.</p>			

5
G
E

5

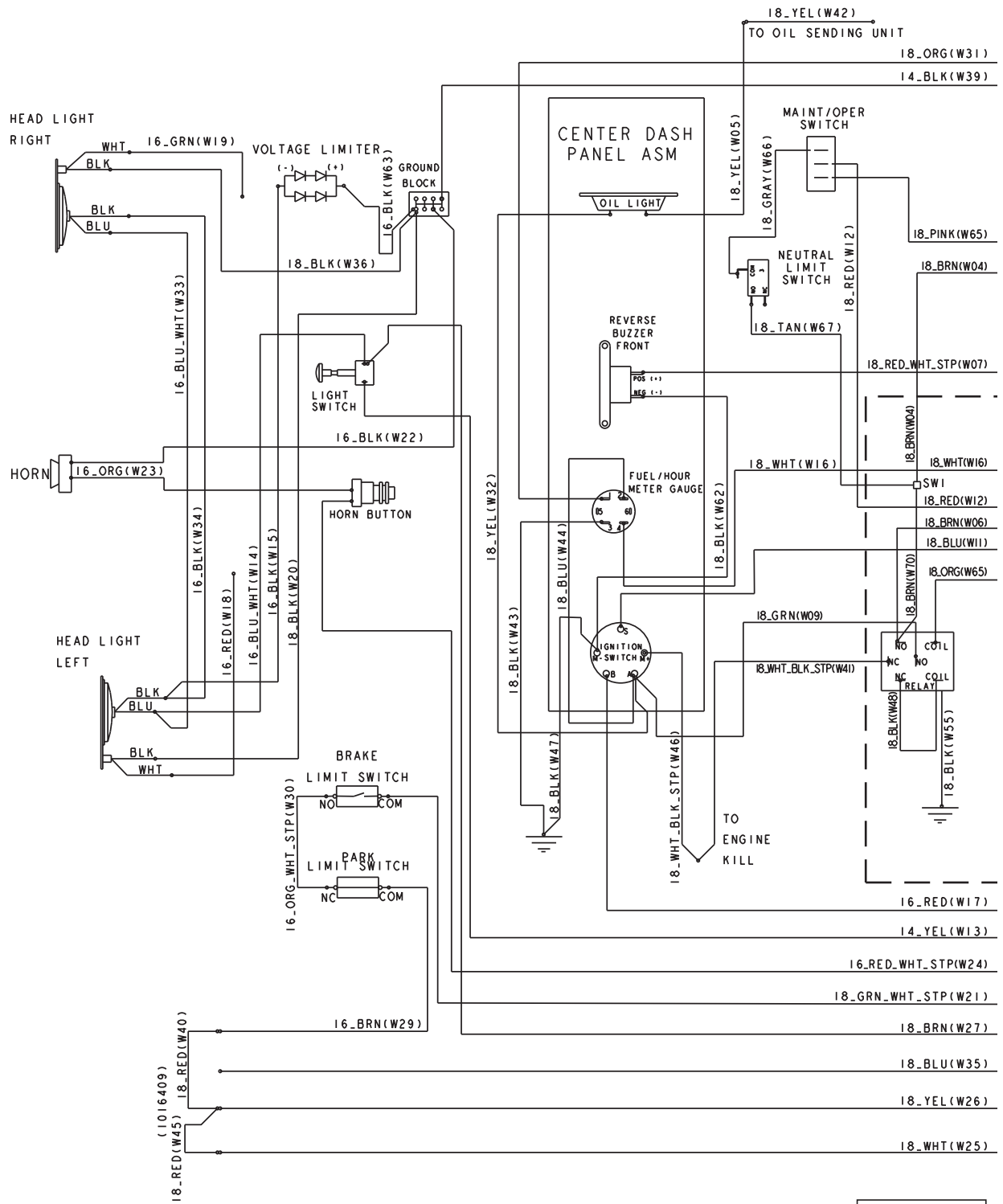
G

E

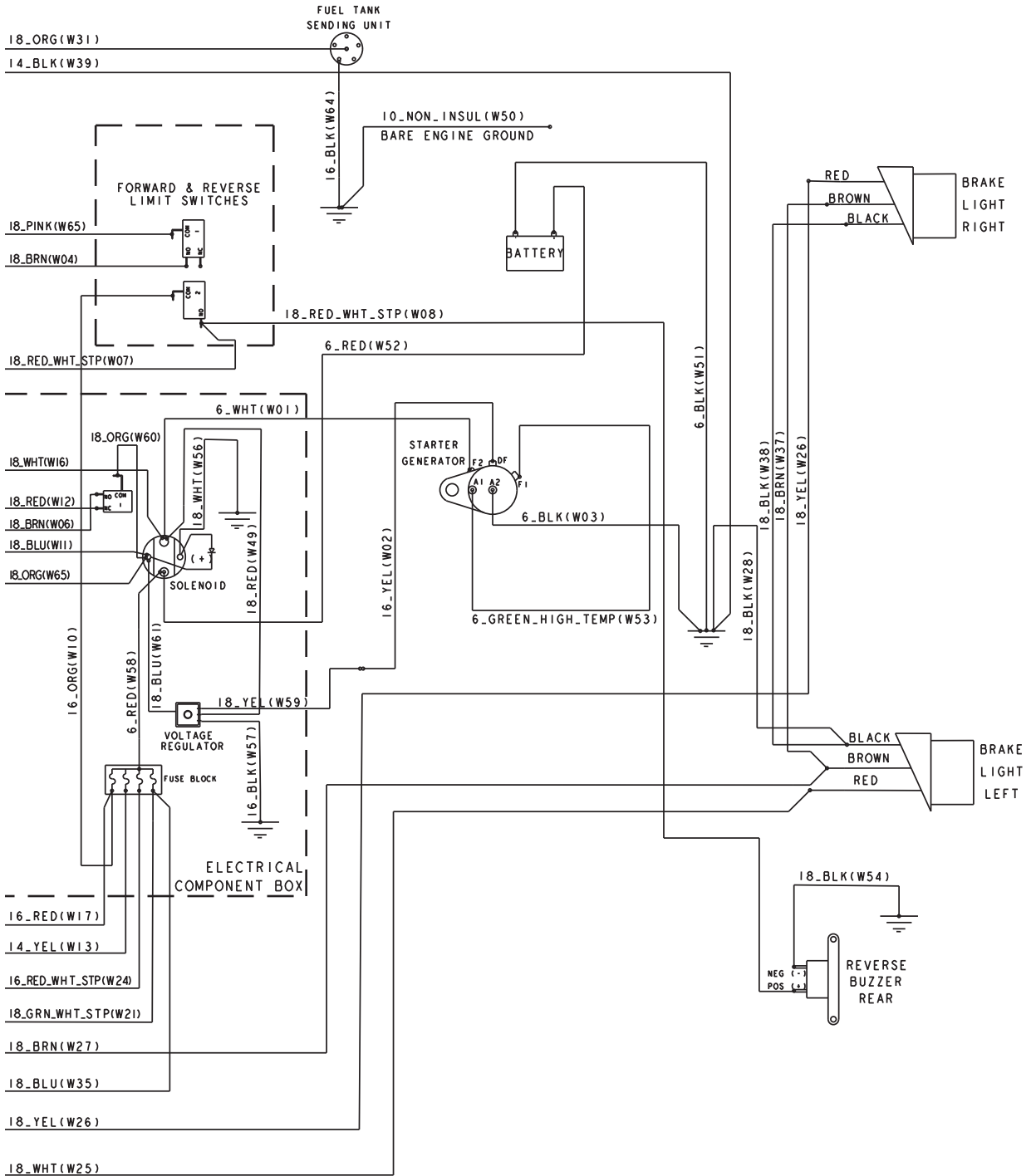
ELECTRICAL SYSTEM – GASOLINE VEHICLE

6

G



000574-001



000574-001

6

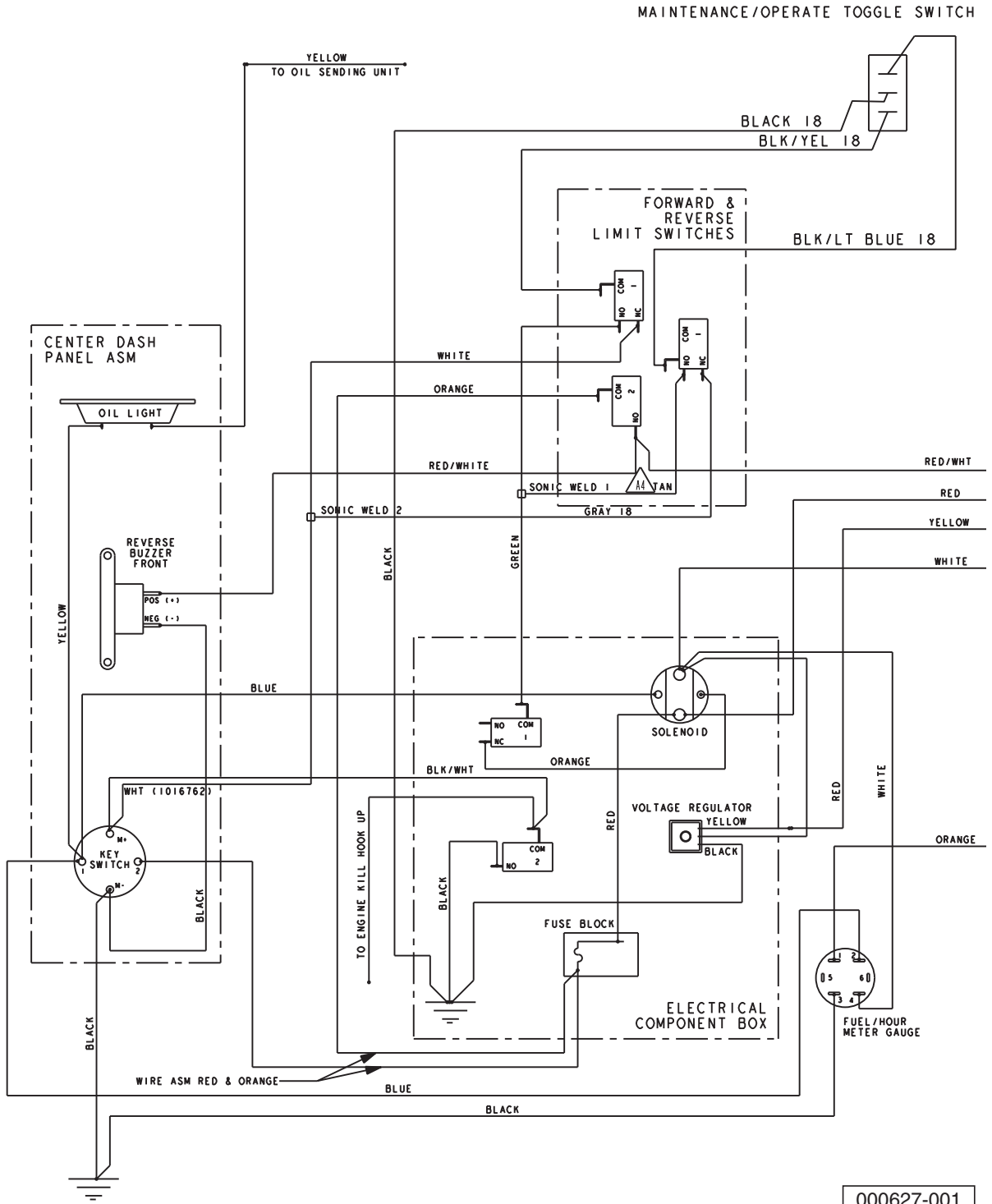
G

See previous two pages for illustration.

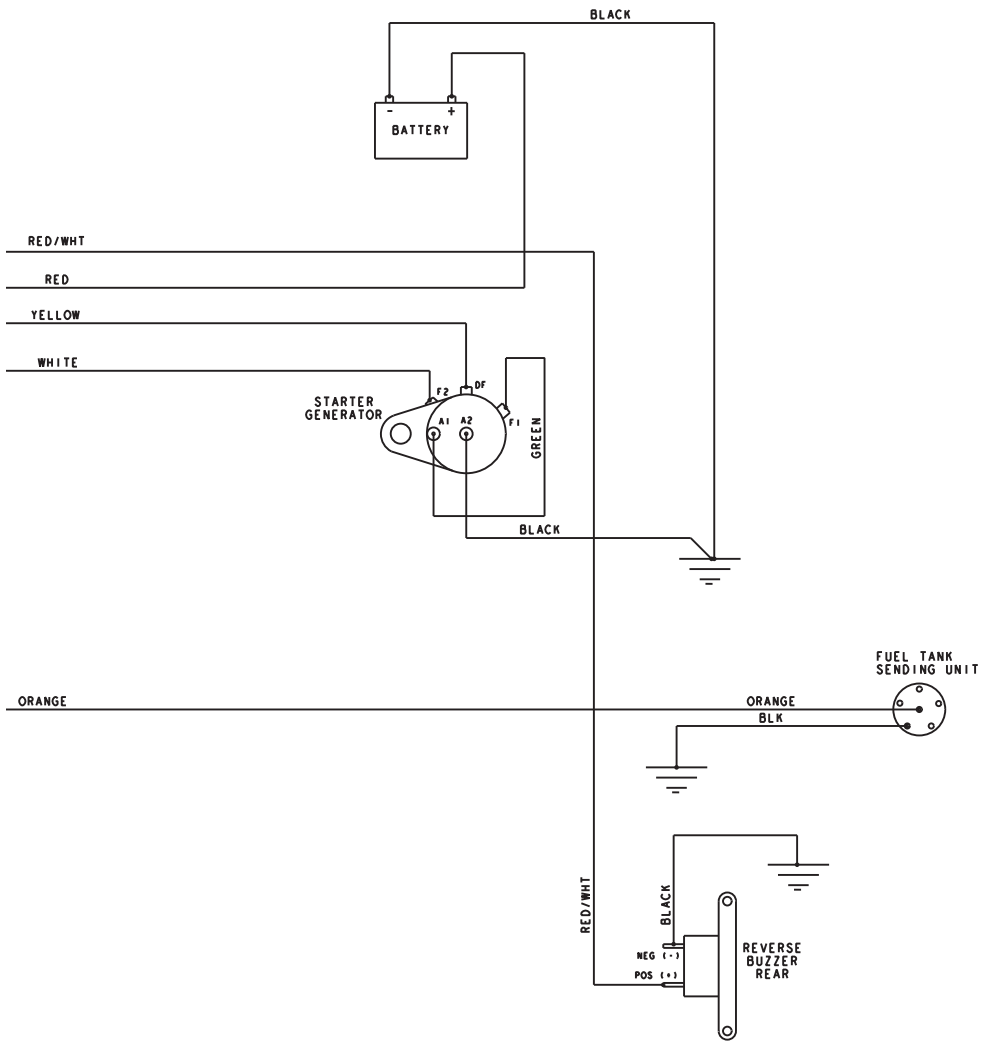
WIRING – GASOLINE CARRYALL 6

ITEM	PART NO.	DESCRIPTION	QTY
1	103197301	1 2 3 4 Asm, Wire Harness, Stretch, Gas	1
2	N/A	Wire Harness, Hd Lght, Ca, Gas	1

6
G



000627-001



000627-001

6

G

See previous two pages for illustration.

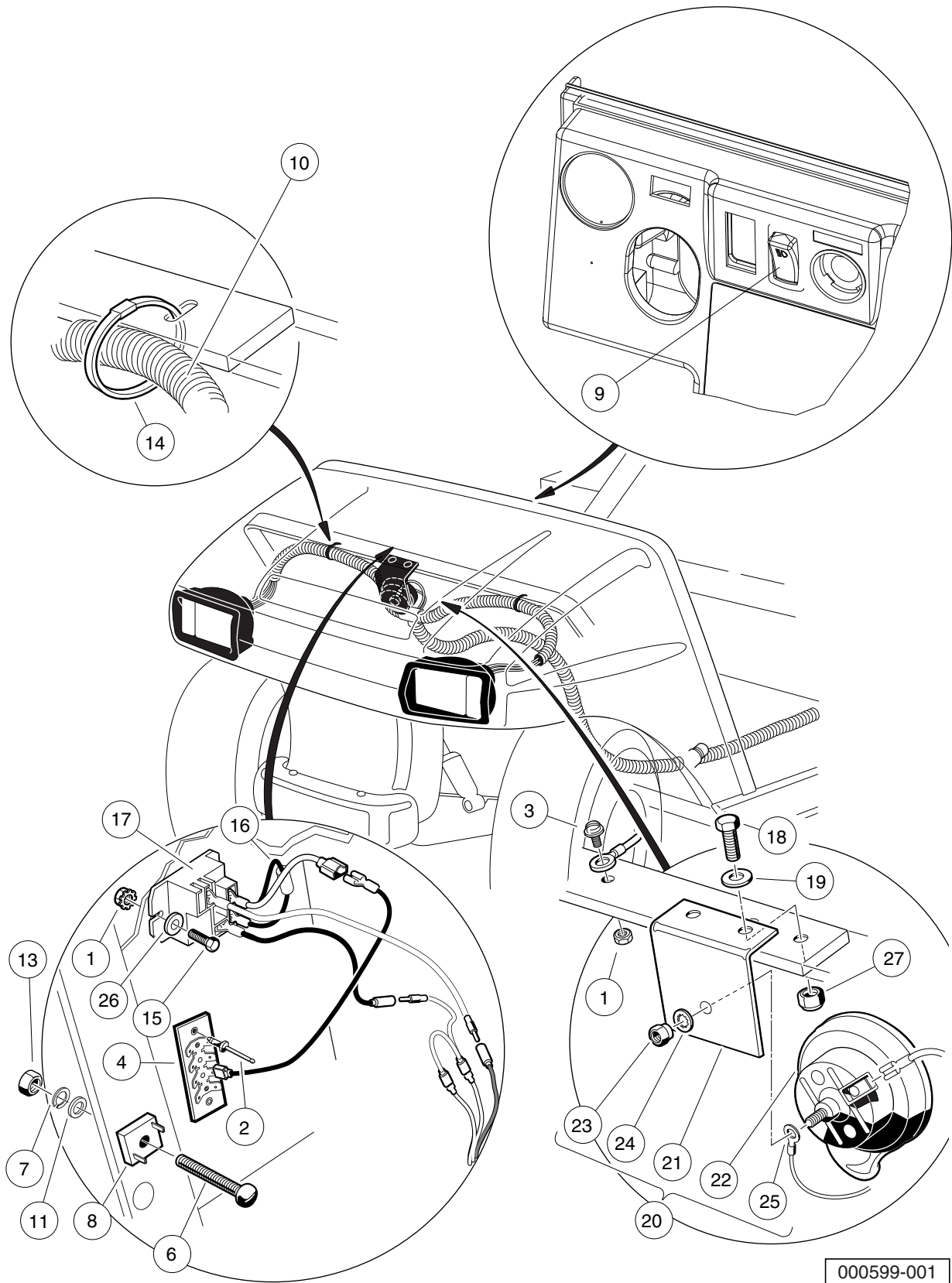
WIRING – TURF 6 GASOLINE

ITEM	PART NO.	DESCRIPTION	QTY
1	103222201	1 2 3 4 Asm, Wire Harness	1
2	N/A	Wire Harness, Hd Lght, Ca, Gas	1

6

G

6
G



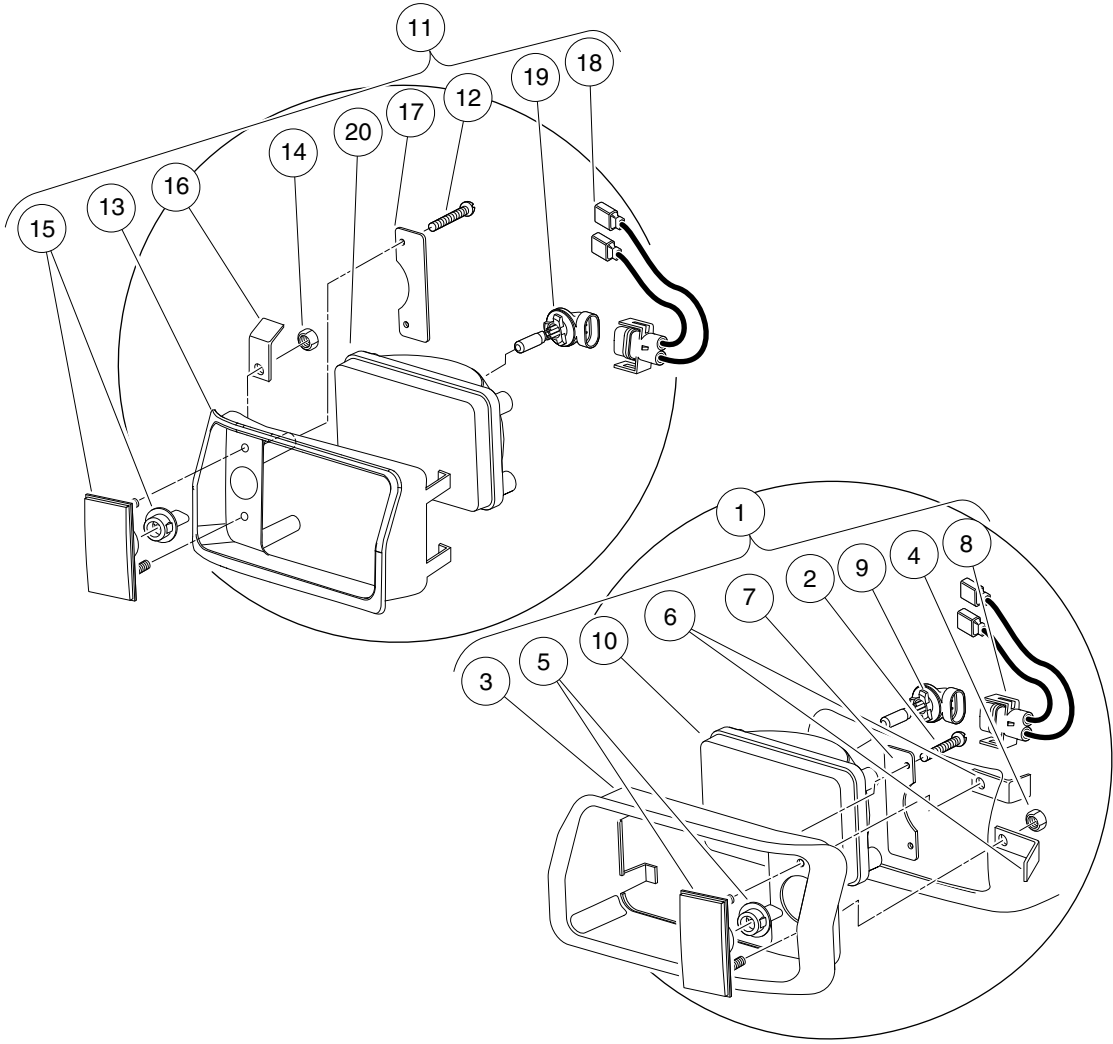
000599-001

HEADLIGHT AND HORN ELECTRICAL COMPONENTS

ITEM	PART NO.	DESCRIPTION	QTY
		1 2 3 4	
1	1011229	Locknut, #6-32 Whiz	3
2	1013357	Rivet, 5/32 Aluminum Pop	2
3	1015720	Screw, #6-32 X 1/2 Hex Washer-Head	1
4	1016356	Terminal Block with Insulator	1
5	N/A	Headlight Instl-gas Golf (includes items 6 through 14)	1
6	1010909	Screw, #10-32 X 1.25 Rd Hd Mch	1
7	1016	Lockwasher, #10 Split	1
8	1017721	Limiter, Voltage	1
9	102869401	Switch, Rocker, Light	1
10	N/A	Wire Harness, Hd Lght, Ca, Gas	1
11	183	Washer, #10 Type A Flat	1
12	7473	Locknut, 5/16-18 Nylon Insert	1
13	7893	Nut, #10-32 Hex	1
14	8990	Tie Wrap, 8" Nylon	12
15	1017853	Screw, #6-32 X 0.75 Hex-Head Machine	2
16	101914401	Assembly, Voltage Suppressor	1
17	102199001	Relay, 12-Volt	1
18	304	Screw, 1/4-20 X 1.0 Hex-Head Cap	2
19	332	Washer, 1/4 Type A Narrow Flat	2
20	4029	Horn (includes items 21 through 25)	1
21	1011825	Horn Bracket	1
22	N/A	Horn, 12-VDC	1
23	101955101	Nut, M6 Hex	1
24	7820	Washer, 5/16 Internal-Tooth	1
25	N/A	5/16 Ring Term.	1
26	7591	Washer, #6 Flat	2
27	8233	Locknut, 1/4-20 Nylon Insert	2

6

G

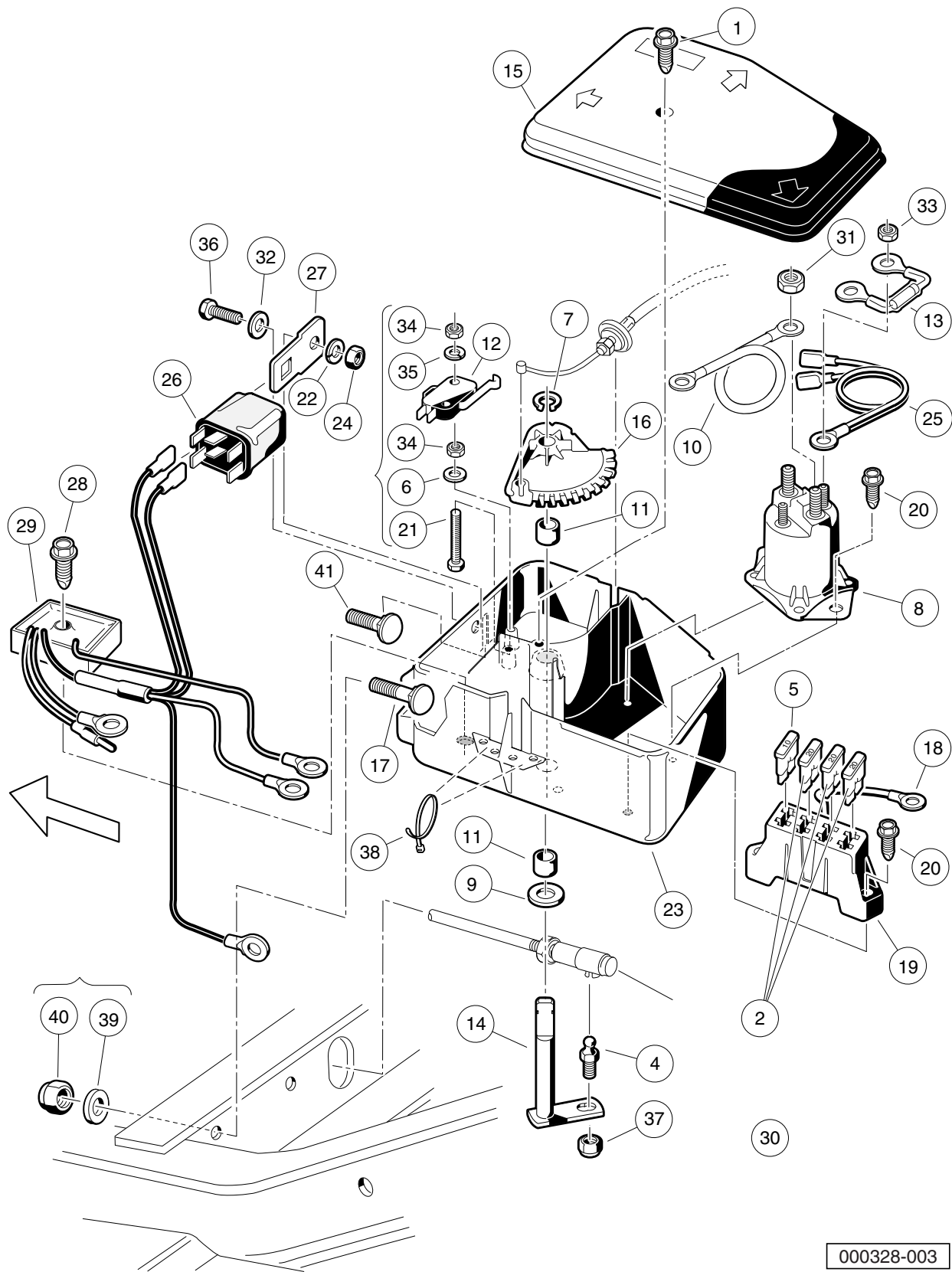


000073-001

HEADLIGHTS

ITEM	PART NO.	DESCRIPTION	QTY
		1 2 3 4	
1	101988001	Headlight Assembly, Driver-Side Single Beam (includes items 2 through 10)	1
2	1013461	Screw, #10-16 Hex-Head Hi-Lo	2
3	1016880	Headlight Bezel, Left	1
4	1017	Nut, #10-24 Stainless-Steel Hex Machine	2
5	1017062	Turn Signal Lens Assy	1
6	1017064	Mounting Bracket	2
7	1017065	Retainer, Headlight	1
8	101987901	Connector Harness Assembly, Headlight	1
9	101988101	Bulb, Headlight	1
10	101988201	Lens, Headlight	1
11	101988002	Headlight Assy, Passenger-Side Single Beam (includes items 12 through 20)	1
12	1013461	Screw, #10-16 Hex-Head Hi-Lo	2
13	1016879	Headlight Bezel, Right	1
14	1017	Nut, #10-24 Stainless-Steel Hex Machine	2
15	1017062	Turn Signal Lens Assy	1
16	1017064	Mounting Bracket	2
17	1017065	Retainer, Headlight	1
18	101987901	Connector Harness Assembly, Headlight	1
19	101988101	Bulb, Headlight	1
20	101988201	Lens, Headlight	1

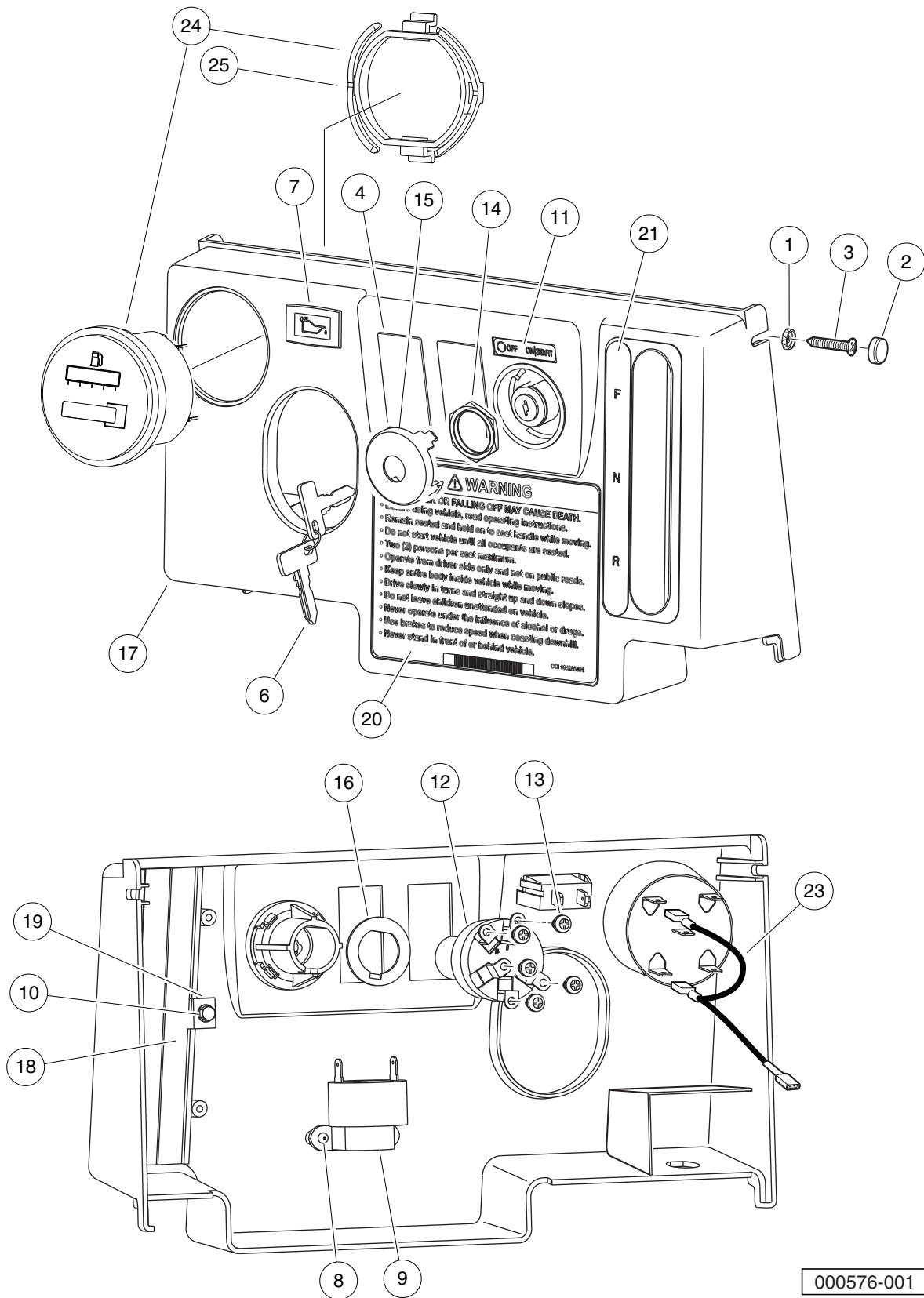
6
G



ELECTRICAL COMPONENT BOX – CARRYALL 6

ITEM	PART NO.	DESCRIPTION	QTY
		1 2 3 4	
1	1015752	Screw, #12-16 X 0.625 Hi-Lo	1
2	1016423	Fuse, 20-Amp	3
3	N/A	Asm, Electrical Component Box (includes items 4 through 38)	1
4	1010954	Stud, 1/4-28 X 0.560 Ball	1
5	1012295	Fuse, 10-Amp	1
6	1012431	Washer, #4 Flat	2
7	1013589	Ring, 0.338" Internal Retaining	1
8	1013609	Solenoid, 12-Volt	1
9	1014065	Washer, 0.38" ID Delrin Flat	1
10	1014119	Wire Assembly #6 Red	1
11	1014145	Bushing, Secondary Weight, Split	2
12	1014807	Switch, Limit	1
13	1014948	Diode	1
14	1015345	Bell Crank and Shaft Assembly	1
15	1015372	Cover, Electric Box	1
16	1015373	Cam, Electric Box	1
17	1015405	Bolt, Carriage, 5/16-18 X 2.0	1
18	1015737	Wire Assy, #10 Red	1
19	1015741	Fuse Block	1
20	1015752	Screw, #12-16 X 0.625 Hi-Lo	4
21	1015878	Screw, #4-40 Hex Head Machine	2
22	1016	Lockwasher, #10 Split	1
23	1016997	Electrical Component Box	1
24	1017	Nut, #10-24 Stainless-Steel Hex Machine	1
25	N/A	Wire Assembly Orange #18	1
26	1017239	Relay	1
27	1017243	Mounting Bracket, Relay	1
28	101856102	Screw, 1/4-15 X 1.50 Hi-lo Hex	1
29	N/A	Asm, Voltage Regulator Key Sta	1
30	103197301	Asm, Wire Harness, Stretch, Gas	1
31	1242	Nut, 5/16-18 Hex	2
32	183	Washer, #10 Type A Flat	1
33	7893	Nut, #10-32 Hex	2
34	8057	Nut, #4-40 Hex Machine	4
35	8058	Lockwasher, #4 Split	2
36	8450	Screw, #10-24 X 0.50 Hex-Head	1
37	8717	Locknut, 1/4-28 Nylon Insert	1
38	8990	Tie Wrap, 8" Nylon	3
39	1241	Washer, 5/16 Type A Flat	2
40	7473	Locknut, 5/16-18 Nylon Insert	2
41	7818	Bolt, Carriage, 5/16-18 X 1.5	1

6
G

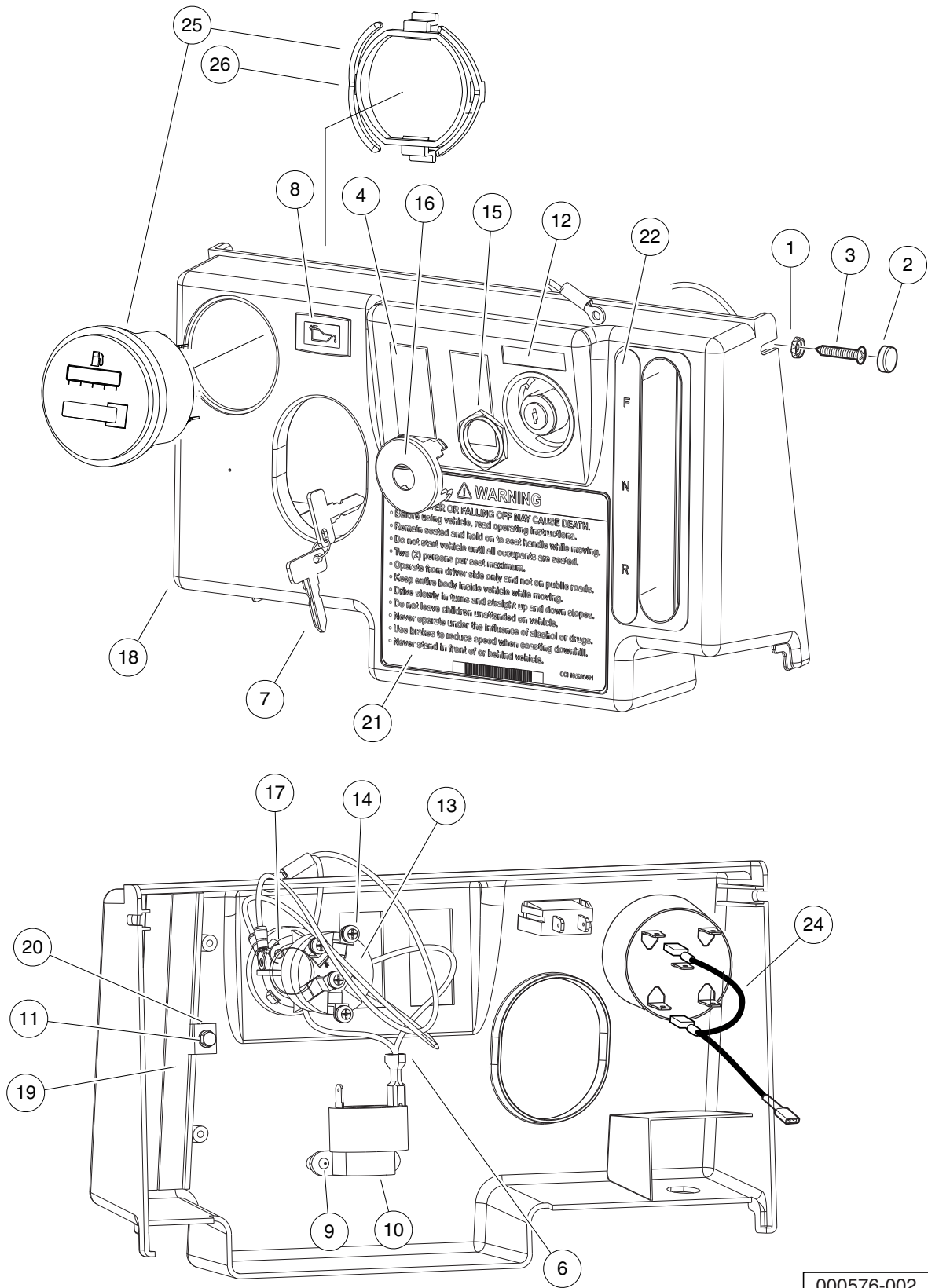


000576-001

INSTRUMENT PANEL AND ELECTRICAL COMPONENTS – CARRYALL 6

ITEM	PART NO.	DESCRIPTION	QTY
		1 2 3 4	
1	N/A	Washer, #10 Pan-Head Screw	2
2	1013494	Cover, Screw Head	2
3	1015528	Screw, #10 x 1-1/4 Phillips Head	2
4	103180101	Cover, Hole, Switch, Rocker	2
5	N/A	Asm, Dash, Gas, Key Start (Instrument Panel) (includes items 6 through 22)	1
6	1012505	Keys (set of 2)	1
7	1016630	Light, Oil	1
8	1016849	Screw, #4-24 X 0.33 Pan-Head Machine	2
9	1016851	Buzzer, Reverse (9-48 VDC)	1
10	101804301	Screw, #8 X 0.500, Hex-Head Hi-Lo	2
11	101825102	Decal, Off/On/Start	1
12	101826401	Key Switch, 12-Volt, Off/On/Start	1
13	101830601	Screw and Washer Assembly	5
14	101830701	Nut, Key Switch	1
15	101834502	Cap, Black Key Switch	1
16	101851101	Washer, Key Switch	1
17	102977001	Panel, Dash, Center, Gas (Instrument Panel)	1
18	103199001	Brush, Closeout, FNR	2
19	103199101	Washer, Retaining, Brush, FNR	2
20	103205401	Decal, Warning, Rollover, Utl	1
21	103210201	Decal, Forward/Reverse, Gas	1
22	103390801	Kit, F-h Replmnt Utl Pre2007 (includes items 23 through 26)	1
23	103348501	Asm Wire Meter F-h Jumper	1
24	103348601	Gauge, Fuel-hour,sep Gnd,utl (includes item 25)	1
25	103348201	Clip, Meter, Round	1
26	N/A	Instr, F-h Replmnt Pre2007	1

6
G



000576-002

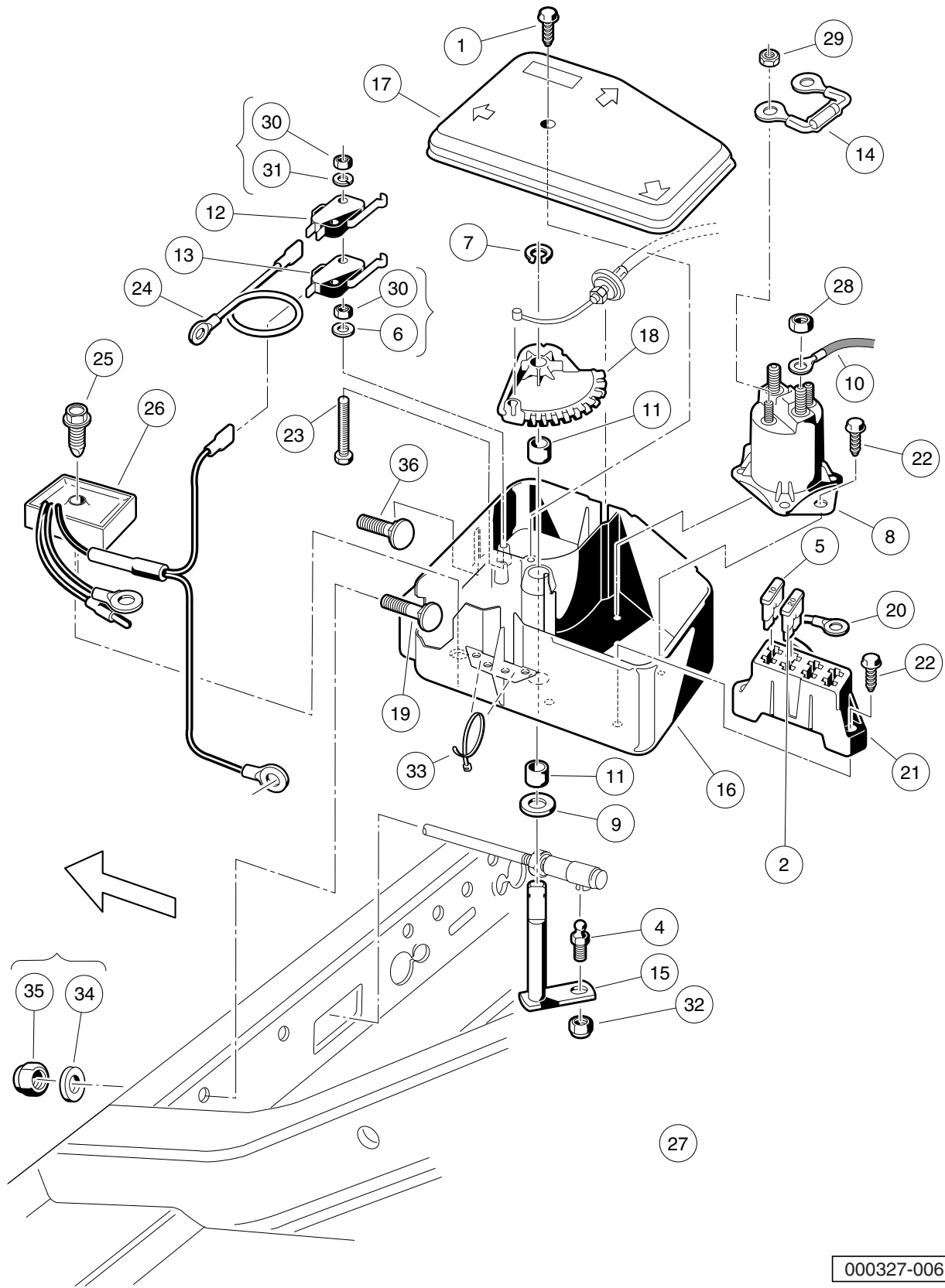
INSTRUMENT PANEL AND ELECTRICAL COMPONENTS – TURF 6

ITEM	PART NO.	DESCRIPTION	QTY
		1 2 3 4	
1	N/A	Washer, #10 Pan-Head Screw	2
2	1013494	Cover, Screw Head	2
3	1015528	Screw, #10 x 1-1/4 Phillips Head	2
4	103180101	Cover, Hole, Switch, Rocker	2
5	N/A	Asm, Dash, Gas, Pedal-Start (Instrument Panel) (includes items 6 through 23)	1
6	N/A	Wire Assy #18 Black	1
7	1012505	Keys (set of 2)	1
8	1016630	Light, Oil	1
9	1016849	Screw, #4-24 X 0.33 Pan-Head Machine	2
10	1016851	Buzzer, Reverse (9-48 VDC)	1
11	101804301	Screw, #8 X 0.500, Hex-Head Hi-Lo	2
12	101825101	Decal, Off/On	1
13	101826301	Key Switch, 12-Volt, Off/On	1
14	101830601	Screw and Washer Assembly	4
15	101830701	Nut, Key Switch	1
16	101834502	Cap, Black Key Switch	1
17	101851101	Washer, Key Switch	1
18	102977001	Panel, Dash, Center, Gas (Instrument Panel)	1
19	103199001	Brush, Closeout, FNR	2
20	103199101	Washer, Retaining, Brush, FNR	2
21	103205401	Decal, Warning, Rollover, Utl	1
22	103210201	Decal, Forward/Reverse, Gas	1
23	103390801	Kit, F-h Replmnt Utl Pre2007 (includes items 24 through 27)	1
24	103348501	Asm Wire Meter F-h Jumper	1
25	103348601	Gauge, Fuel-hour,sep Gnd,utl (includes item 26)	1
26	103348201	Clip, Meter, Round	1
27	N/A	Instr, F-h Replmnt Pre2007	1

6

G

6
G



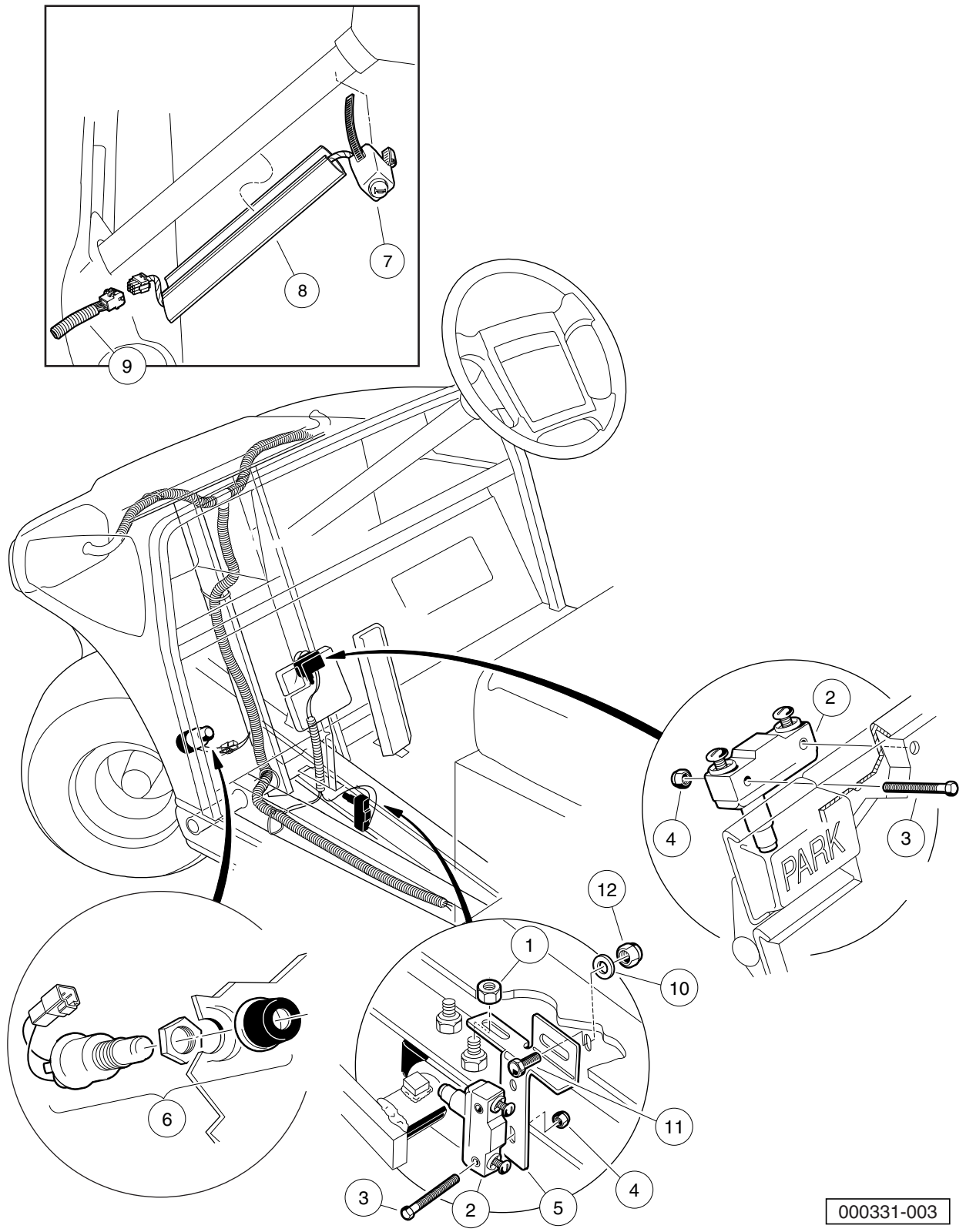
000327-006

ELECTRICAL COMPONENT BOX – TURF 6

ITEM	PART NO.	DESCRIPTION	QTY
		1 2 3 4	
1	1015752	Screw, #12-16 X 0.625 Hi-Lo	1
2	1016423	Fuse, 20-Amp	1
3	N/A	Asm, Electrical Component Box (includes items 4 through 30)	1
4	1010954	Stud, 1/4-28 X 0.560 Ball	1
5	1012295	Fuse, 10-Amp	1
6	1012431	Washer, #4 Flat	2
7	1013589	Ring, 0.338" Internal Retaining	1
8	1013609	Solenoid, 12-Volt	1
9	1014065	Washer, 0.38" ID Delrin Flat	1
10	1014145	Bushing, Secondary Weight, Split	2
11	1014807	Switch, Limit	1
12	1014808	Switch, Limit	1
13	1014948	Diode	1
14	1015345	Bell Crank and Shaft Assembly	1
15	1015371	Box, Electrical Component	1
16	1015372	Cover, Electric Box	1
17	1015373	Cam, Electric Box	1
18	1015405	Bolt, Carriage, 5/16-18 X 2.0	1
19	1015741	Fuse Block	1
20	1015752	Screw, #12-16 X 0.625 Hi-Lo	4
21	1015878	Screw, #4-40 Hex Head Machine	2
22	101856102	Screw, 1/4-15 X 1.50 Hi-lo Hex	1
23	102711201	Voltage Regulator	1
24	N/A	Washer, Nylon Retaining *	1
25	1242	Nut, 5/16-18 Hex	2
26	7893	Nut, #10-32 Hex	2
27	8057	Nut, #4-40 Hex Machine	4
28	8058	Lockwasher, #4 Split	2
29	8717	Locknut, 1/4-28 Nylon Insert	1
30	8990	Tie Wrap, 8" Nylon	2
31	1241	Washer, 5/16 Type A Flat	2
32	7473	Locknut, 5/16-18 Nylon Insert	2
33	7818	Bolt, Carriage, 5/16-18 X 1.5	1
		* Note: Not used. Item is for shipping purposes only.	

6
G

6
G



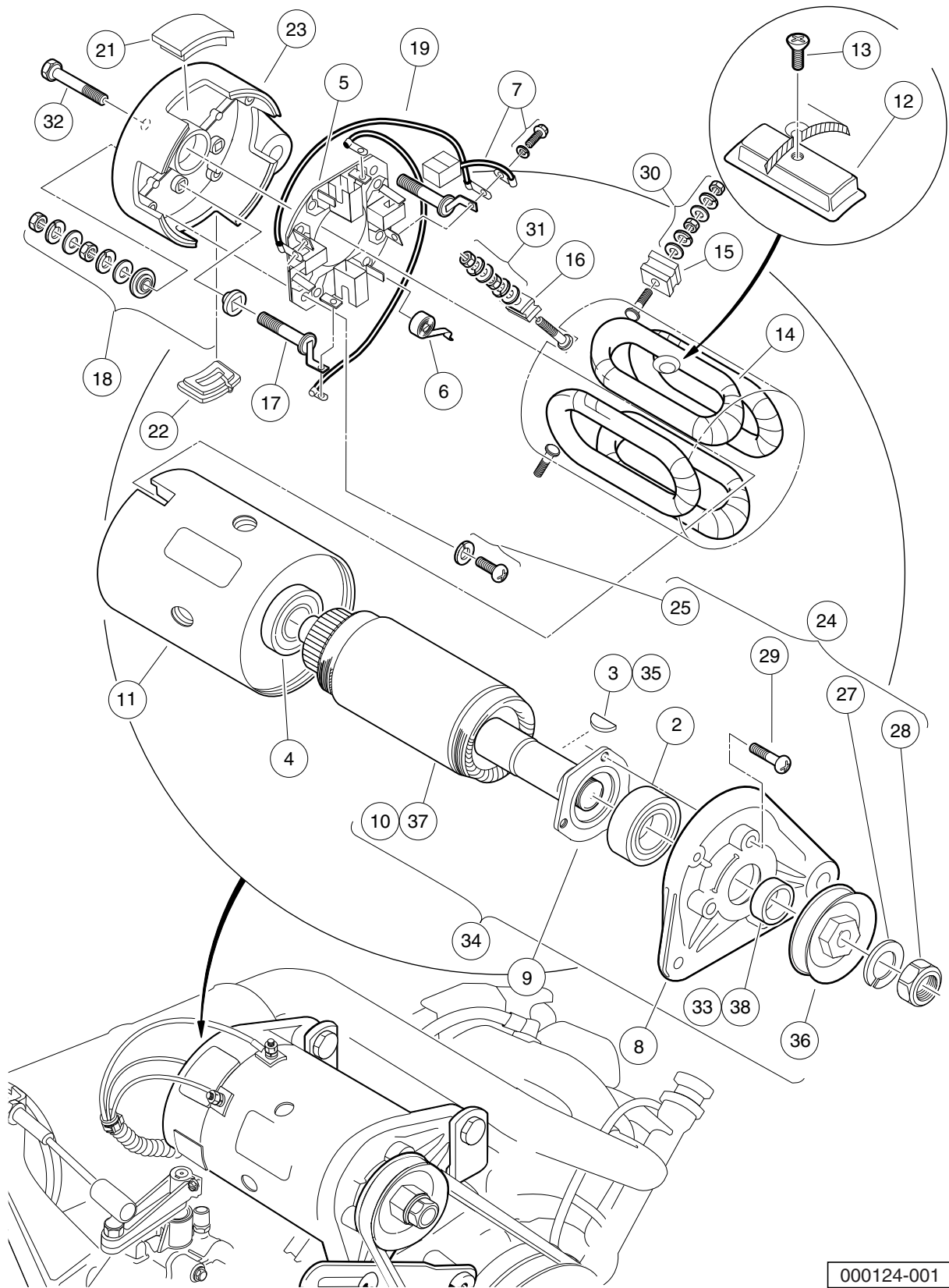
000331-003

HORN AND BRAKE SWITCHES

ITEM	PART NO.	DESCRIPTION	QTY
		1 2 3 4	
1	1011280	Locknut, 5/16-18	1
2	1011439	Switch, Limit	2
3	1011557	Screw, #6-32 X 1.00 Hex-Head Machine	4
4	101932201	Locknut, #6-32 Nylon	4
5	101957101	Bracket, Brake Light Switch	1
6	101969701	Horn Button and Wire Assembly	1
7	102517601	Subasm, Horn Button Harness	1
8	102529201	Wire Cover, Steering Column	1
9	103618101	Harness, Jumper, Horn	1
10	1241	Washer, 5/16 Type A Flat	1
11	7173	Screw, 5/16-18 X 0.75 Hex-Head Cap	1
12	7473	Locknut, 5/16-18 Nylon Insert	1

6
G

6
G



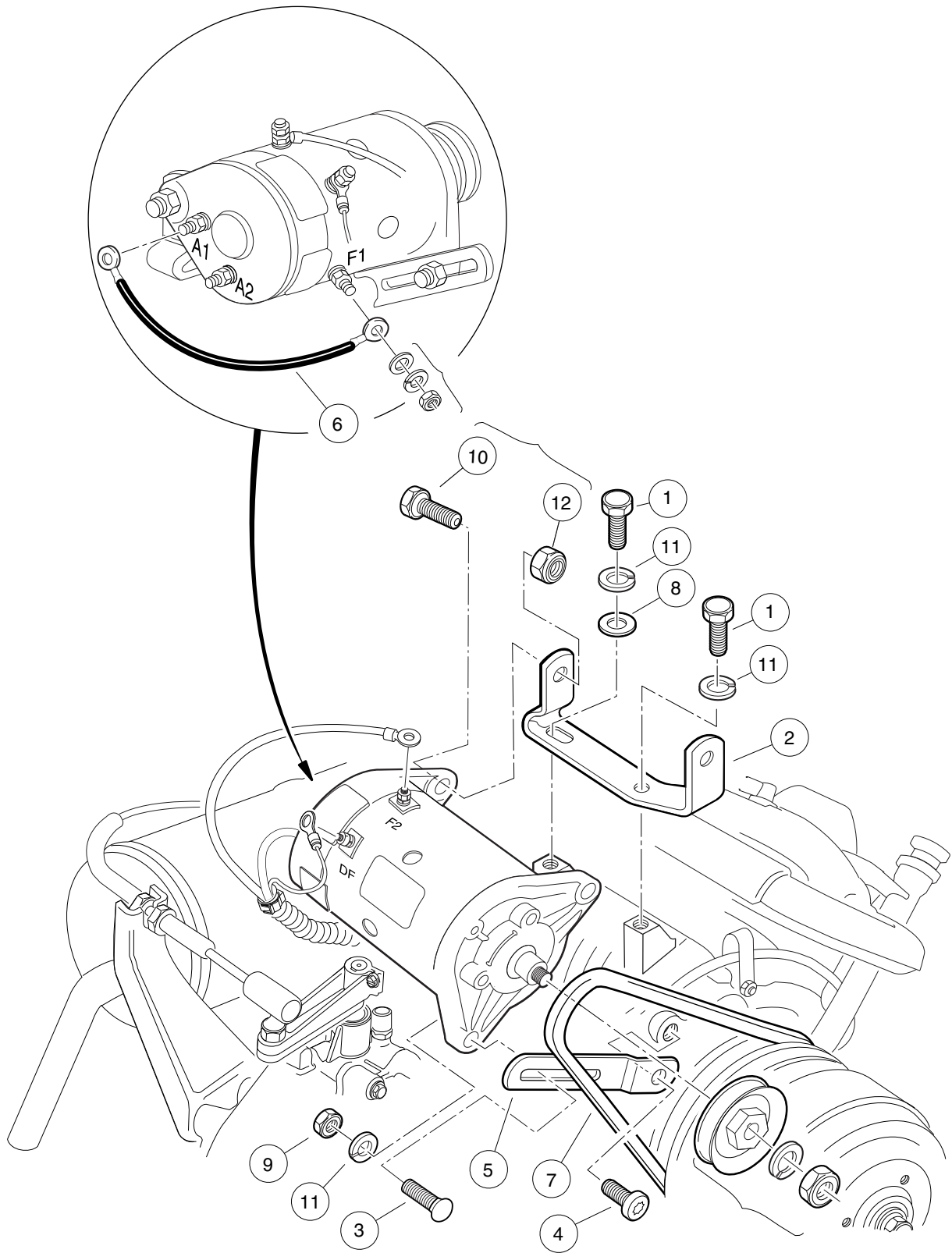
000124-001

STARTER/GENERATOR ASSEMBLY MODEL G425419 – GASOLINE VEHICLES

ITEM	PART NO.	DESCRIPTION	QTY
		1 2 3 4	
1	N/A	Starter/Generator (cw) (includes items 2 through 33)	1
2	1013001	Bearing, Output Shaft Ball	1
3	1013003	Key, Starter/Generator	1
4	1013005	Bearing, Ball	1
5	101301102	Brush Holder Assembly (cw) (includes item 6)	1
6	101878101	Brush Spring Set	4
7	101869302	Brush and Screw Set (cw)	1
8	101874901	Front Bracket	1
9	101875001	Retainer	1
10	N/A	Armature	1
11	101875201	Field Coil Housing	1
12	101875301	Pole Set	1
13	101875401	Screw Set	1
14	101875501	Field Stator Coil Assembly	1
15	101875601	F Insulator Set	2
16	101875701	DF Insulator	1
17	101875802	A Connector (cw)	1
18	101876001	Screw and Mold Assembly	2
19	101876202	Brush Connector Assembly (cw)	2
20	101876301	Cover Set (includes items 21 and 22)	1
21	N/A	Brush Inspection Port Cover	3
22	1017653	Brush Port Cover w/Drain	1
23	101876402	Rear Bracket (cw)	1
24	101876501	Nut and Screw Set (includes items 25 through 29)	1
25	101896501	Brush Holder Asm Screw	2
26	N/A	Washer, M5 Flat	1
27	N/A	Washer, M14 Lock	1
28	N/A	Nut, Hex, M14 x 2	1
29	N/A	Screw, M5 x 0.8 x 18mm	3
30	101877601	Nut and Washer Set	2
31	101877701	Nut and Washer Set	1
32	101879001	Through Bolt Set	2
33	101939901	Spacer	1
34	101875102	Armature Asm Conversion Kit (includes items 35 through 38)	1
35	1013003	Key, Starter/Generator	1
36	1014289	Pulley, Starter/Generator	1
37	N/A	Armature	1
38	101939901	Spacer	1
Note: Item 36 will ONLY fit Model G425419 Starter/Generator.			

6
G

6
G



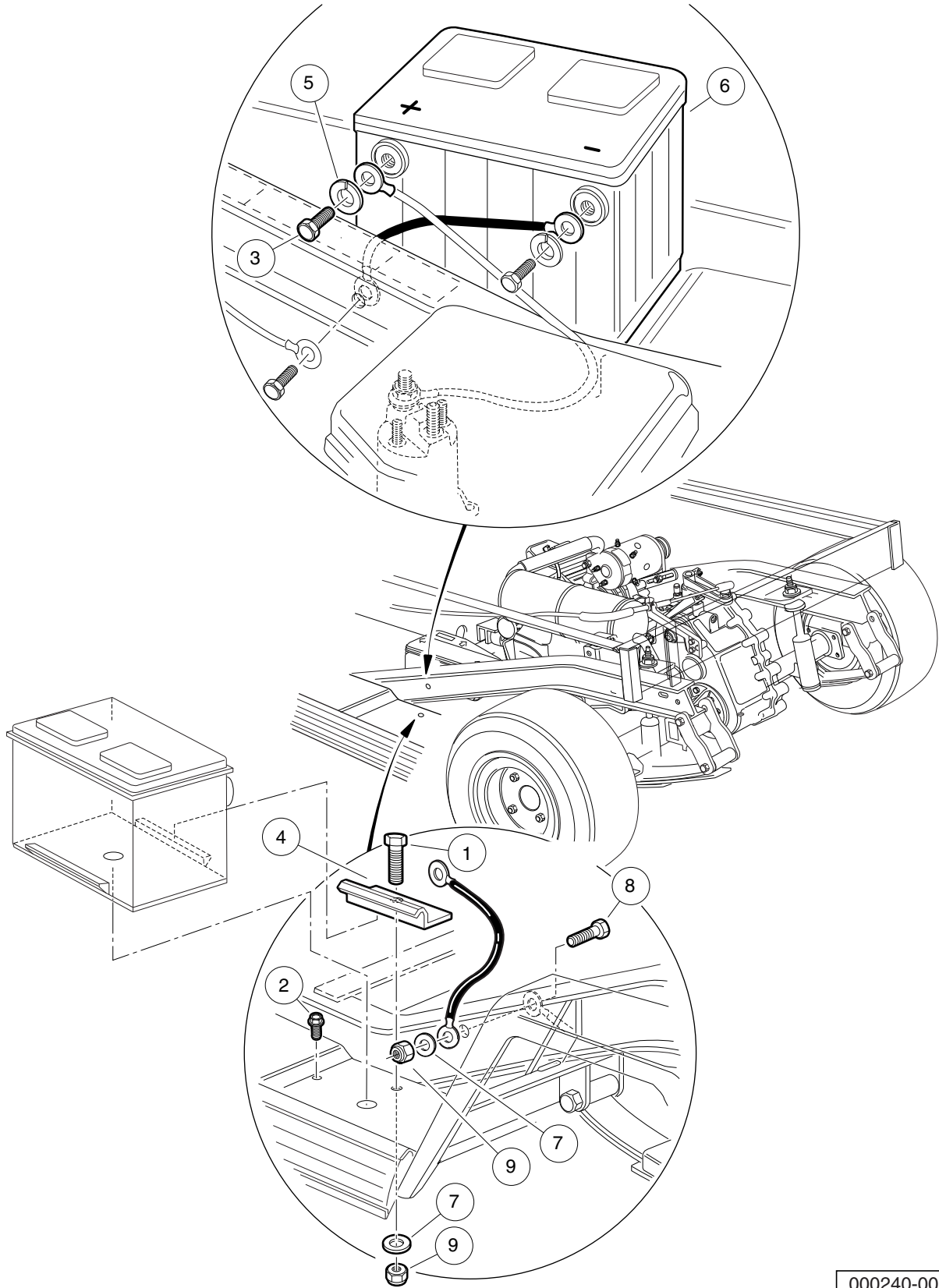
000239-001

FE350 STARTER/GENERATOR MOUNTING – GASOLINE VEHICLES

ITEM	PART NO.	DESCRIPTION	QTY
		1 2 3 4	
1	1012830	Screw, M8-125 X 22 Hex-Head	2
2	101524002	Bracket, Starter/Generator Mounting	1
3	1015932	Bolt, Carriage, 5/16-18	1
4	1016074	Screw, M8-1.25 X 18mm Torx	1
5	1016883	Bracket, Starter/Generator Adjustment	1
6	101837301	Wire Assy, #6 Green	1
7	101916701	V-Belt	1
8	1241	Washer, 5/16 Type A Flat	1
9	1242	Nut, 5/16-18 Hex	1
10	705	Screw, Cap-hex Hd 3/8-16x1.25	2
11	7174	Lockwasher, 5/16 Split	3
12	8754	Locknut, 3/8-16 Hex	2

6
G

6
G



000240-001

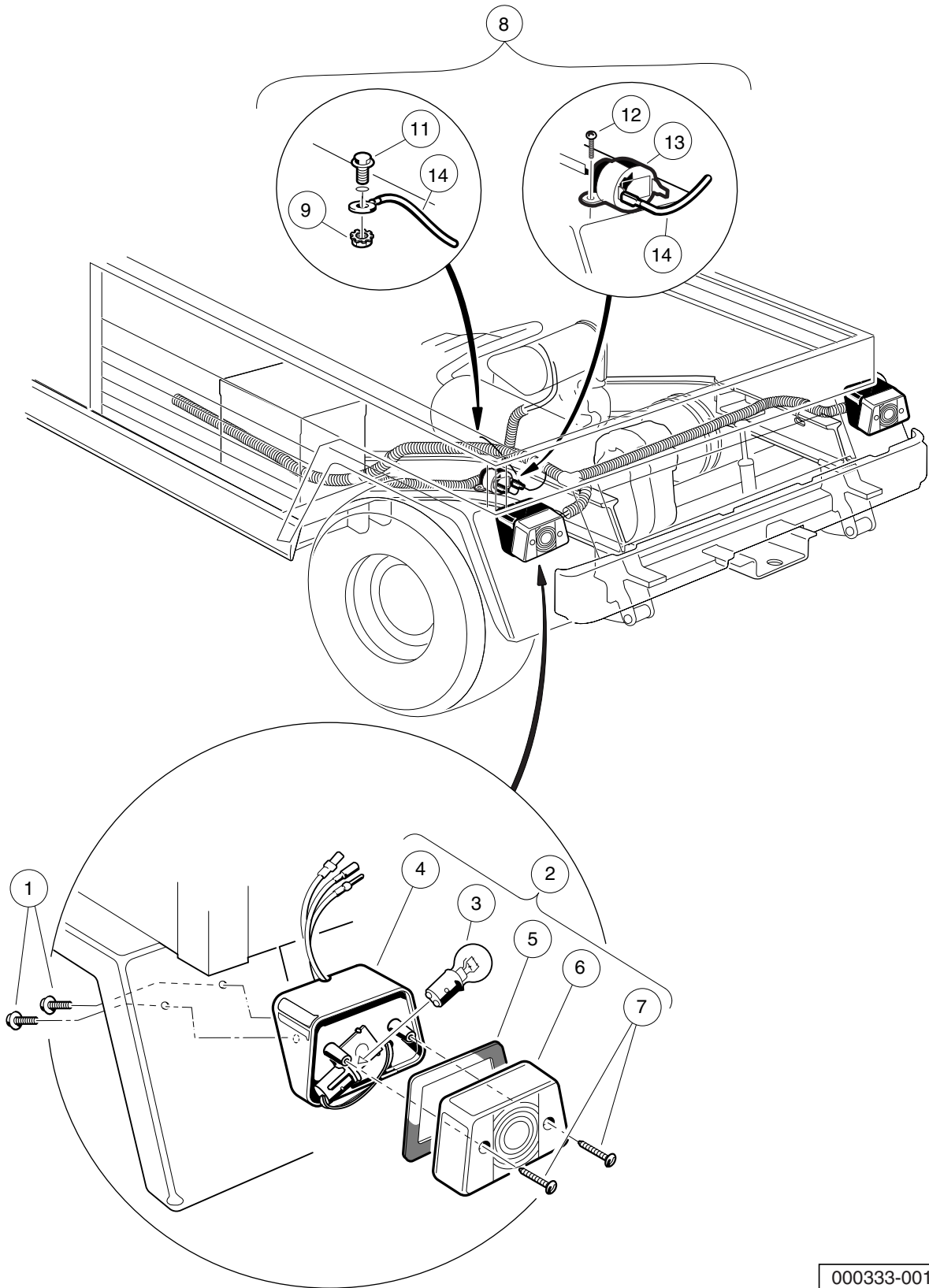
BATTERY – GASOLINE VEHICLE

ITEM	PART NO.	DESCRIPTION	QTY
		1 2 3 4	
1	1010934	Screw, 5/16-18 X 1.00 Hex Cap	1
2	1014288	Screw, 5/16-18 X 0.75 Thread-Forming	1
3	1014375	Screw, 3/8-16 X 0.50 Stainless Steel Hex-Head	2
4	101898001	Clamp, Battery	1
5	102355301	Lockwasher, #10 Split Ss	2
6	N/A	Battery, Start, 12v	1
7	1241	Washer, 5/16 Type A Flat	2
8	7173	Screw, 5/16-18 X 0.75 Hex-Head Cap	1
9	7473	Locknut, 5/16-18 Nylon Insert	2

6

G

6
G



000333-001

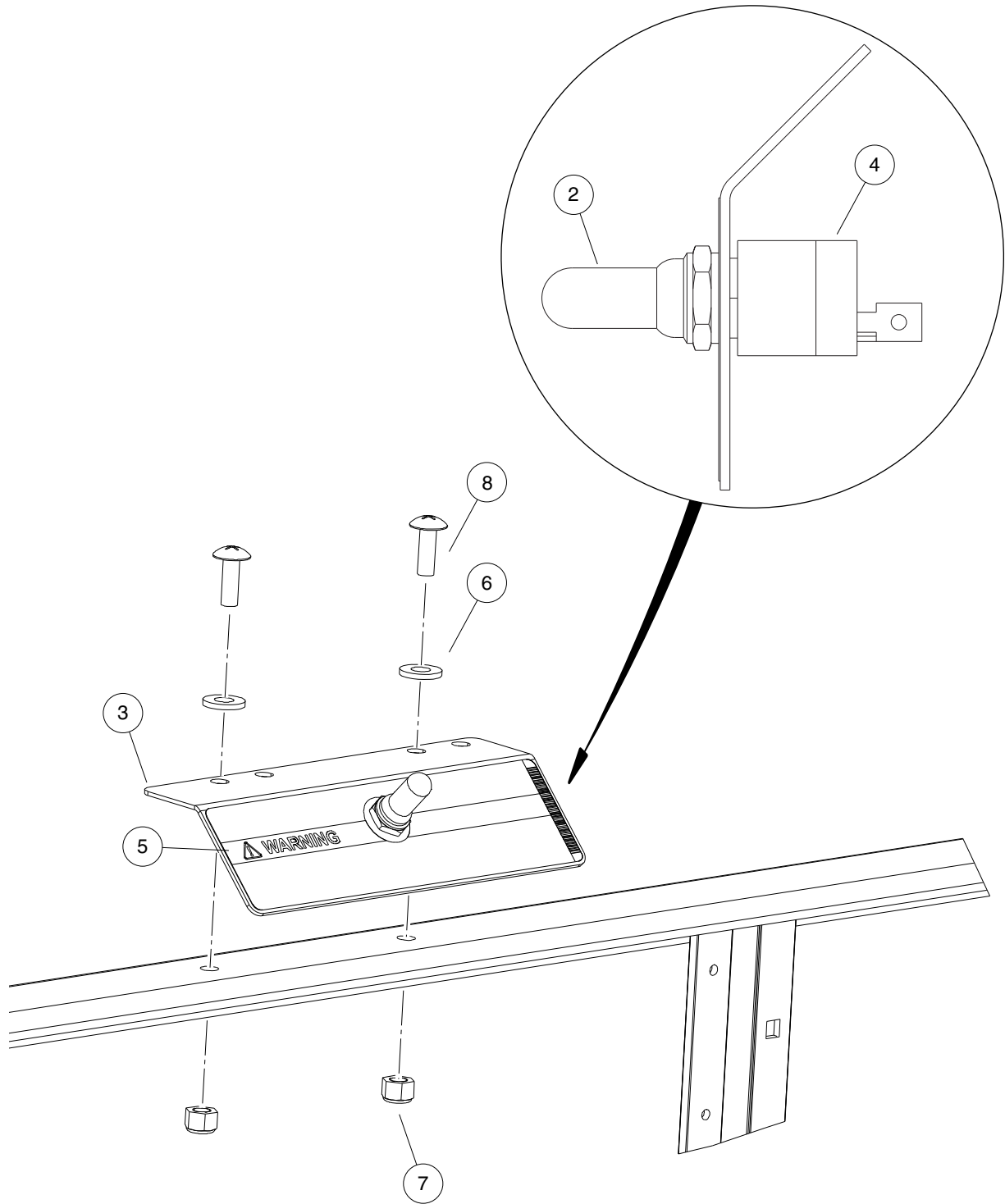
ELECTRICAL COMPONENTS, REAR BODY – GASOLINE TURF/CARRYALL 6

ITEM	PART NO.	DESCRIPTION	QTY
		1 2 3 4	
1	1015752	Screw, #12-16 X 0.625 Hi-Lo	4
2	1016717	Light Assembly, Stop/Taillight (includes items 3 through 7)	2
3	1011582	Taillight Bulb	1
4	N/A	Housing, Taillight	1
5	N/A	Gasket, Taillight	1
6	N/A	Lens, Taillight	1
7	N/A	Screw, Taillight Lens	2
8	1016859	Kit, Reverse Buzzer (includes items 9 through 17)	1
9	1011229	Locknut, #6-32 Whiz	1
10	1012431	Washer, #4 Flat	2
11	1015720	Screw, #6-32 X 1/2 Hex Washer-Head	1
12	1016849	Screw, #4-24 X 0.33 Pan-Head Machine	2
13	1016851	Buzzer, Reverse (9-48 VDC)	1
14	N/A	Wire Assembly Black #18	1
15	8056	Screw, #4-40 X 0.75 Round-Head Machine	2
16	8057	Nut, #4-40 Hex Machine	2
17	8058	Lockwasher, #4 Split	2
		Note: Items 10, and 15 through 17 are included in the reverse buzzer kit, but are not used in this application.	

6
G

6

G



000755-001

OPERATION AND MAINTENANCE SWITCH

ITEM	PART NO.	DESCRIPTION	QTY
		1 2 3 4	
1	N/A	Switch, Operation/Maintenance (includes items 2 through 5)	1
2	101908401	Boot, Switch	1
3	101922501	Bracket, Tow/Run Switch Mounting	1
4	103198401	Switch, Toggle, SPDT	1
5	103205501	Decal, Run/Service Switch	1
6	332	Washer, 1/4 Type A Narrow Flat	2
7	8233	Locknut, 1/4-20 Nylon Insert	2
8	8248	Screw, 1/4-20 X 0.75 Truss-Head Machine	2

6

G

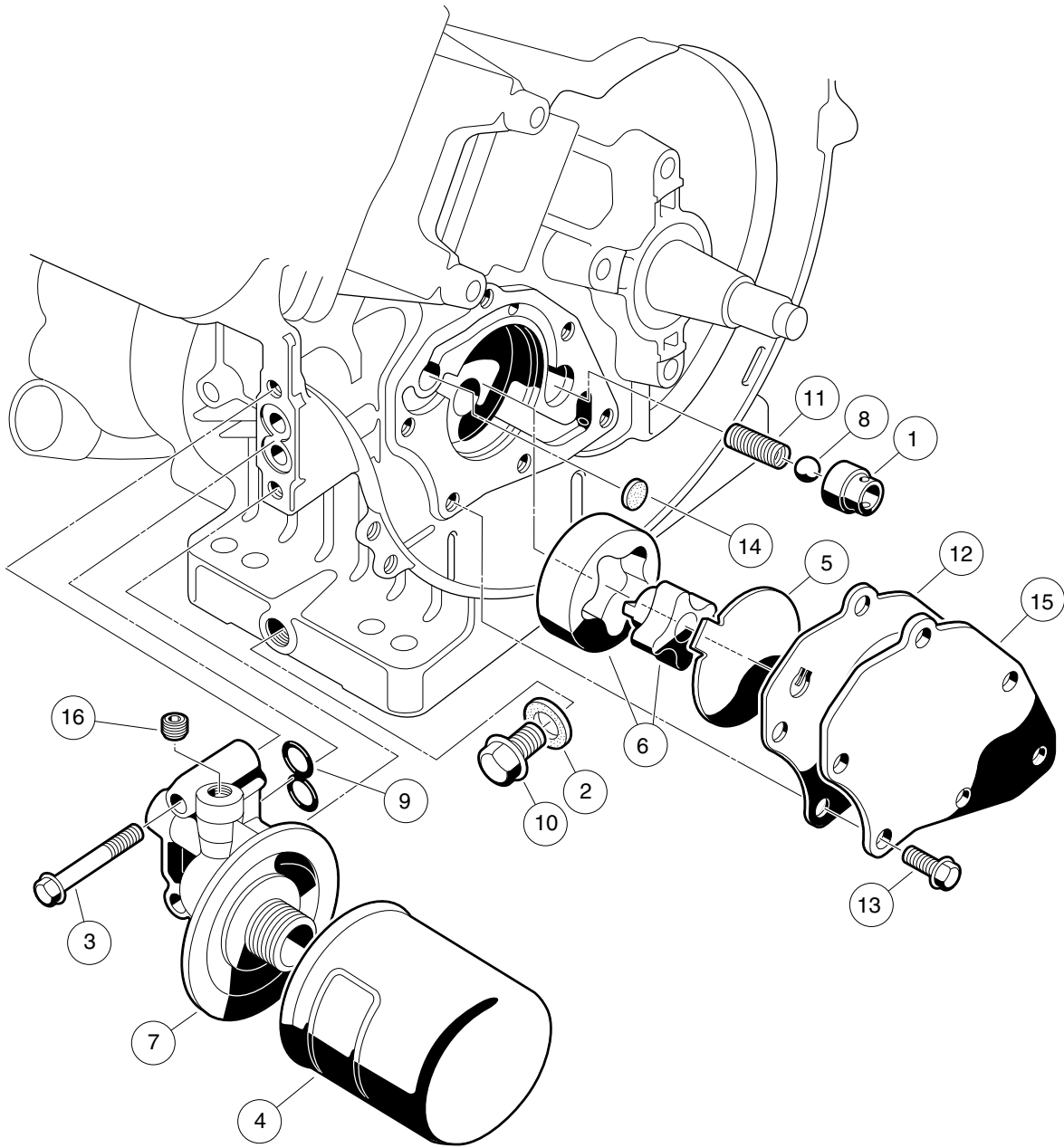
6

G

FE350 ENGINE – S27

7

G



000203-001

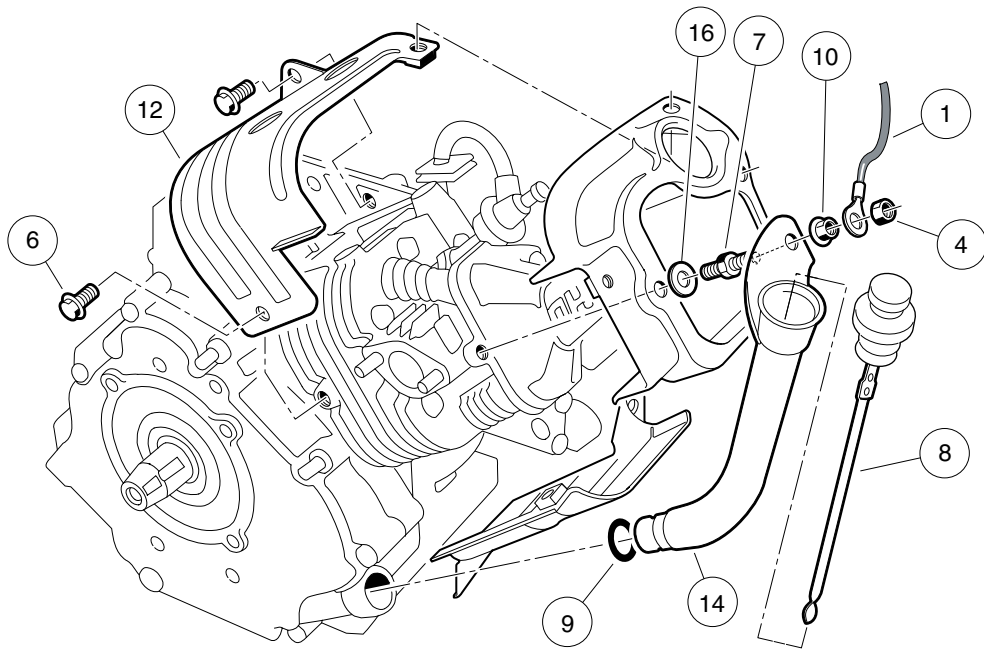
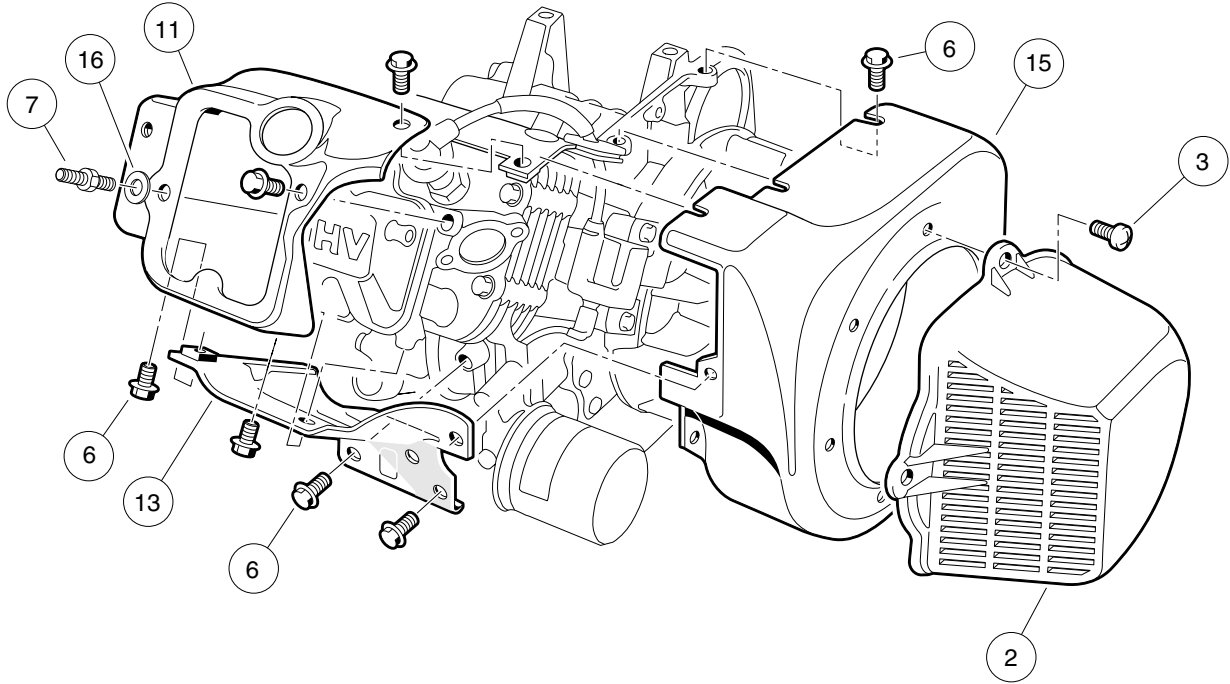
FE350 ENGINE – OIL CIRCULATION

ITEM	PART NO.	DESCRIPTION	QTY
		1 2 3 4	
1	1016429	Seat, Value Oil Press Relief	1
2	1016432	Gasket, Drain Plug	1
3	1016457	Bolt, Flange Head	2
4	1016467	Filter, Oil	1
5	1016473	Plate, Oil Pump	1
6	101648203	Oil Pump And Rotor	1
7	1016502	Bracket, Oil Filter Mount	1
8	1016537	Ball, Steel, Press, Relief	1
9	1016570	O-Ring	1
10	1016576	Plug, Drain	1
11	1016581	Spring	1
12	1017442	Gasket	1
13	1017456	Bolt, Flanged	6
14	1017458	Filter	1
15	1017460	Cover, Pump	1
16	1017507	Plug	2

7

G

7
G

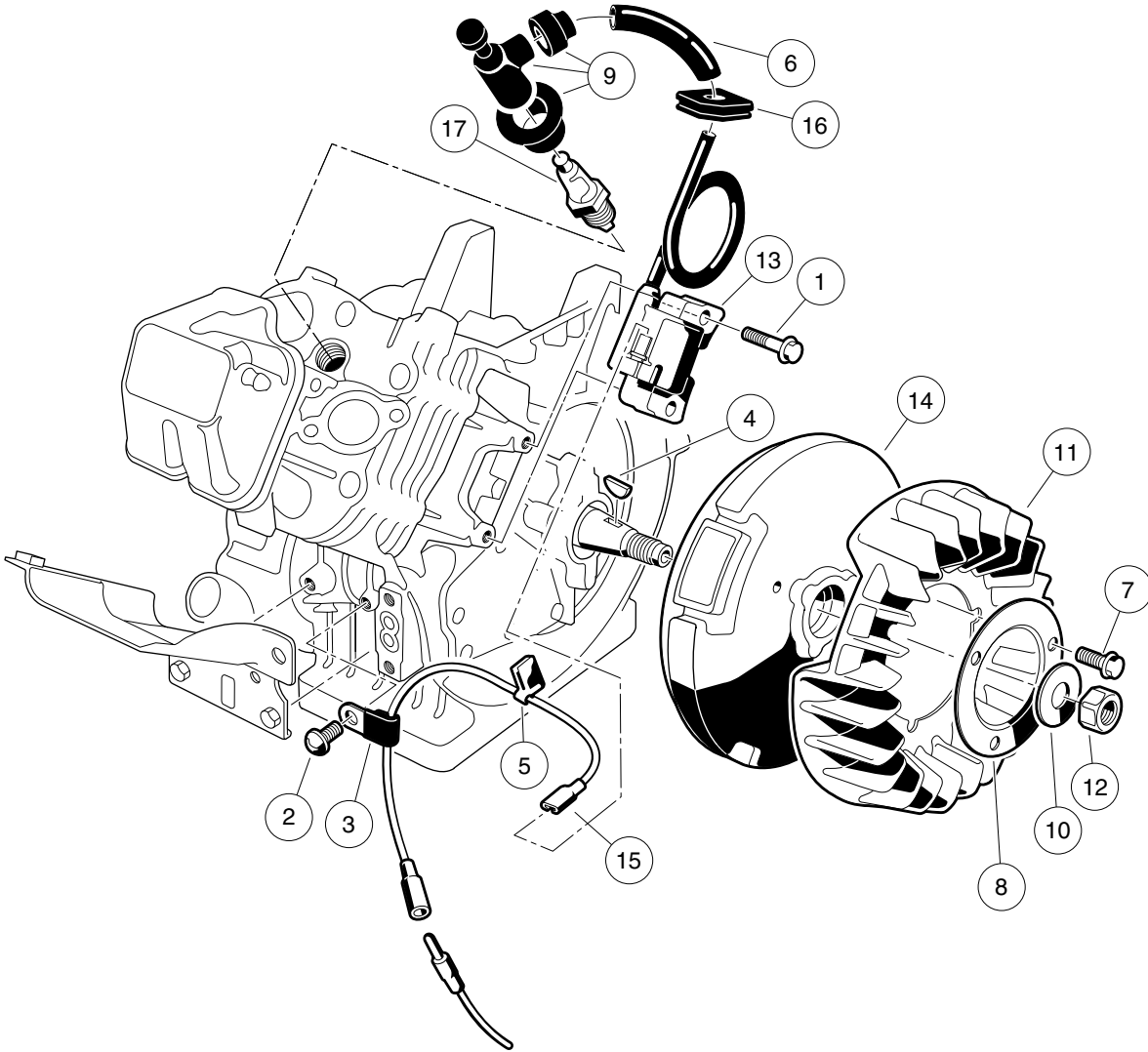


000201-002

FE350 ENGINE WITHOUT ACR (AUTOMATIC COMPRESSION RELEASE) – SHROUDS AND BRACKETS

ITEM	PART NO.	DESCRIPTION	QTY
		1 2 3 4	
1	1015332	Wire Assembly, #10, Uninsulated	1
2	1015649	Shroud, Fan	1
3	1015969	Screw, M6-1.00 X 10mm Pan Hd	4
4	101887601	Locknut, M6-1.00 Nylon Insert	1
5	103386202	Engine, FE350 S27 (includes items 6 through 16)	1
6	1016456	Bolt, Flange Head, M6 x 1 x 12 mm	16
7	1016507	Bolt, Two-Ended	1
8	1016531	Dipstick	1
9	1016539	O-Ring	1
10	1016547	Nut, M6 Flange	1
11	1017474	Shroud, Engine	1
12	1017475	Shroud, Engine	1
13	1017476	Shroud, Engine	1
14	1017486	Tube, Oil Filler	1
15	101916101	Housing, FE350 Fan	1
16	N/A	Washer, 6mm Flat	1

7
G

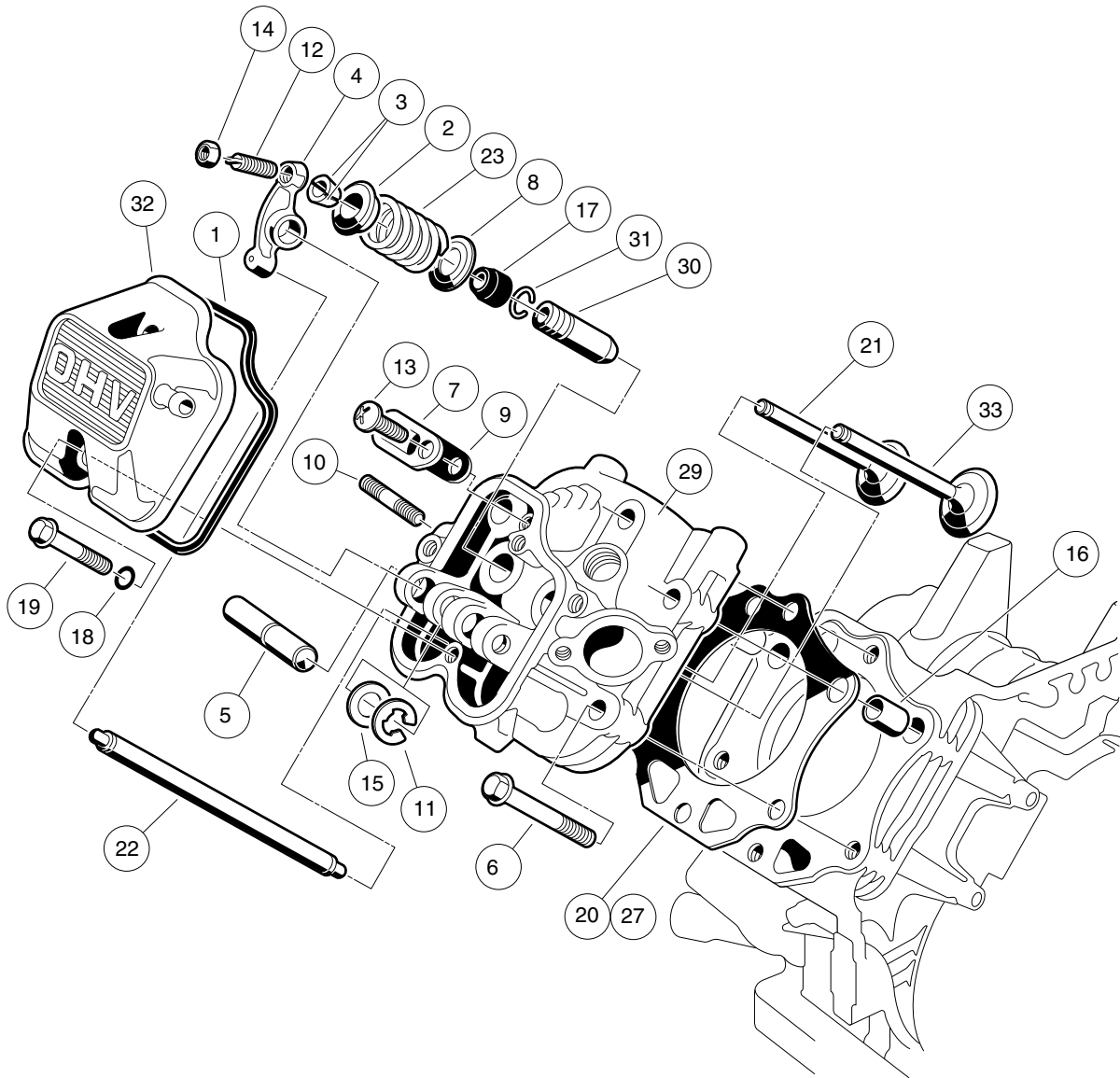


000202-002

AS26 FE350 ENGINE – IGNITION COMPONENTS AND FLYWHEEL

ITEM	PART NO.	DESCRIPTION	QTY
		1 2 3 4	
1	1016455	Bolt, Flange Head	2
2	1016544	Screw	1
3	1016561	Clamp	1
4	1016562	Key	1
5	1016587	Clamp	1
6	1016588	Tube, 7mm X 10mm X 70mm	1
7	1017448	Bolt, Flanged	3
8	1017455	Plate, Flywheel Fan	1
9	1017463	Cap Asm Plug	1
10	1017490	Washer, Flat	1
11	101916301	Fan (cw)	1
12	N/A	Nut, Hex, 18 mm Fine	1
13	103616501	Ignition, Coil Asm	1
14	103616601	Flywheel Comp	1
15	103616701	Ignition, Wire Lead	1
16	N/A	Ignition, Grommet	1
17	AM1232301	Spark Plug, BPR2ES	1

7
G



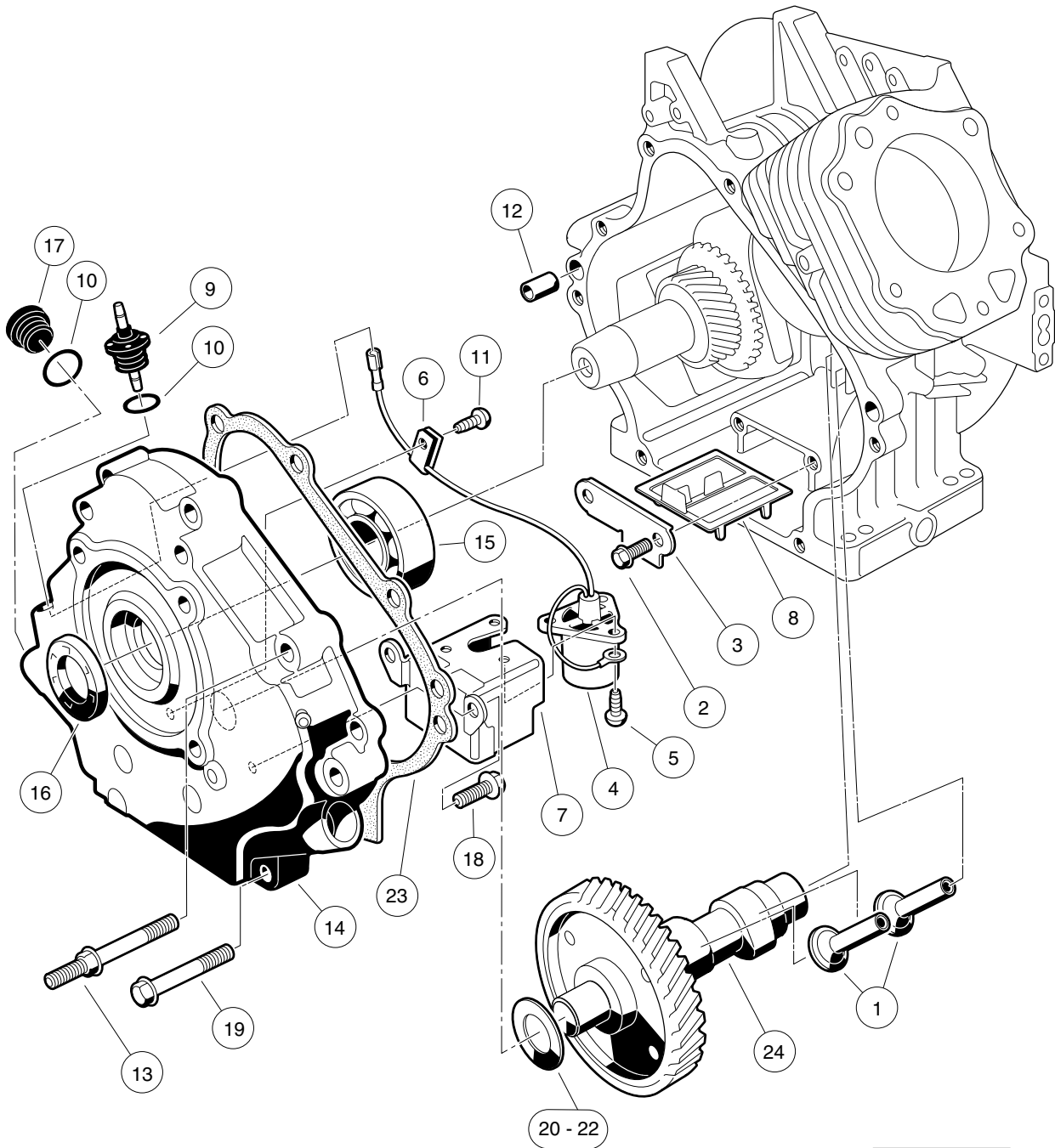
000204-002

AS26 FE350 ENGINE – CYLINDER HEAD

ITEM	PART NO.	DESCRIPTION	QTY
		1 2 3 4	
1	1016436	Gasket, Rocker Case	1
2	1016449	Retainer, Valve Spring	2
3	1016450	Collet	4
4	1016451	Arm, Rocker	2
5	1016452	Shaft, Rocker	1
6	1016458	Bolt, Flange Head, M8 x 1.25 x 45 mm	6
7	1016474	Plate	1
8	1016479	Seat, Spring	2
9	1016483	Valve	1
10	1016489	Stud, Two-Ended, M8-1.25	2
11	1016517	Circlip, Type-E	1
12	1016542	Screw	2
13	1016544	Screw	1
14	1016545	Nut	2
15	1016549	Washer, 12.1x19x1.8	1
16	1016563	Pin	2
17	1016566	Seal, Oil	2
18	1016569	O-Ring	2
19	1016583	Bolt, 6x35	2
20	1017434	Gasket, Head	1
21	1017445	Valve, Exhaust	1
22	1017454	Rod, Push	2
23	1017473	Spring, Engine Valve	2
24	102304801	Kit, Gasket, FE350 (includes items 25 through 28)	1
25	1016440	Gasket, Engine to Insulator	1
26	1016904	Gasket, Exhaust	1
27	1017434	Gasket, Head	1
28	N/A	Gasket, Crankcase Cover	1
29	103615601	Cylinder Head, Fe350 S26, S27	1
30	N/A	Case, Rocker, Fe350 S26 S27	1
31	N/A	Valve, Intake, Hard Tip	1
		Note: Item 24 is not a component of the FE350 engine.	

7

G

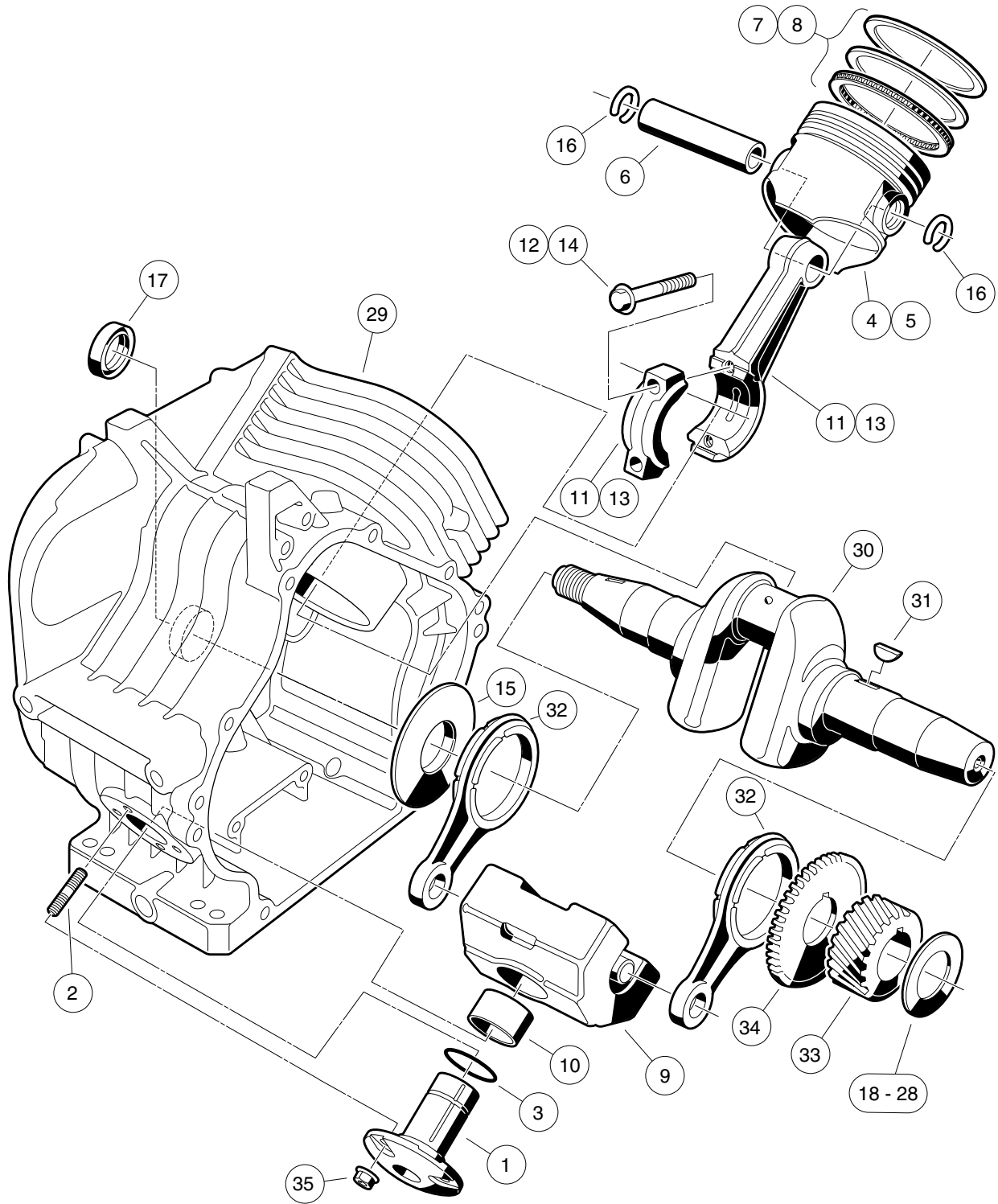


000205-003

AS26 FE350 ENGINE – CRANKCASE AND CRANKSHAFT OIL SENSOR

ITEM	PART NO.	DESCRIPTION	QTY
		1 2 3 4	
1	1016453	Tappet	2
2	1016454	Bolt, Flange Head, M5 x 0.8 x 8 mm	2
3	1016472	Plate, Oil Filter Screen	1
4	1016494	Sensor, Oil Level	1
5	1016496	Screw, Cross Pan-Head, M4 x 0.7 x 8 mm	3
6	1016506	Clamp	1
7	1016510	Bracket, Switch, Oil Level	1
8	1016521	Screen, Oil Filter	1
9	1016535	Connector, Cord	1
10	1016538	O-Ring	2
11	1016544	Screw	1
12	1016564	Pin	2
13	1016584	Bolt, Two-Ended, M8 x 1.25 x 69 mm	2
14	1017472	Cover Crankcase	1
15	1017487	Bearing, Ball	1
16	1017504	Seal, Oil	1
17	1017508	Plug	1
18	1017513	Bolt Switch Bracket	2
19	1017514	Screw, M8-1.25 X 45mm Hex	6
20	101751801	Shim, 0.3	1
21	101751802	Shim, 0.4	1
22	101751803	Shim, 0.5	1
23	103615901	Gasket, Crankcase Cover	1
24	103616401	Camshaft Comp	1

7
G



000206-001

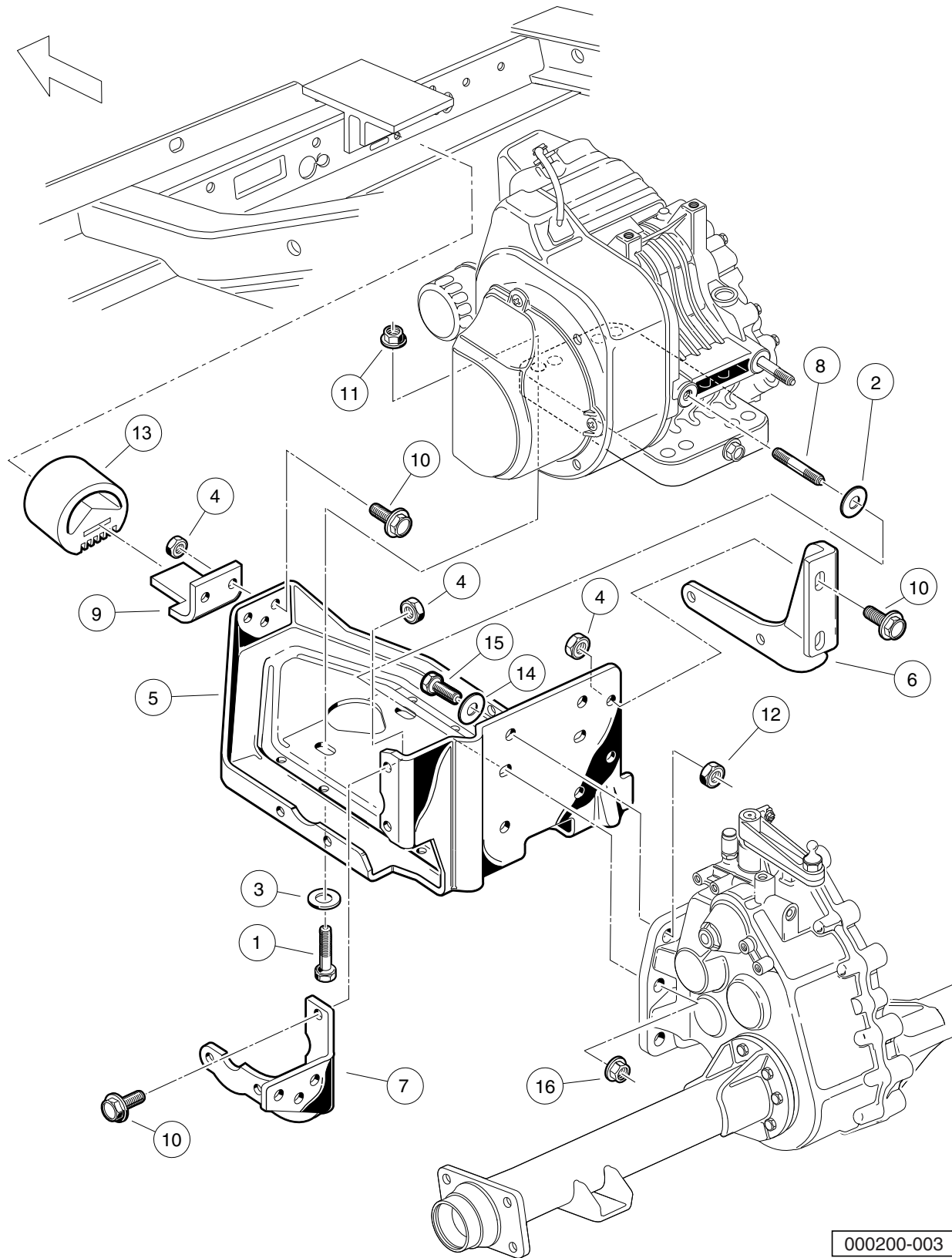
AS26 FE350 ENGINE – CRANKCASE AND CRANKSHAFT

ITEM	PART NO.	DESCRIPTION	QTY
		1 2 3 4	
1	1016470	Shaft, Guide, Counterbalance	1
2	1016541	Stud, 6x14	4
3	1016571	O-Ring	1
4	101744901	Piston, Standard	1
5	101744902	Piston, 0.50 mm Oversize	1
6	1017450	Pin, Piston	1
7	101745101	Ring Set, Standard Piston	1
8	101745102	Ring Set, Piston, 0.50 mm Oversize	1
9	1017453	Fe400 Counterbalance Weight (includes item 10)	1
10	1017510	Bearing, Plain	1
11	101745701	Asm, Con. Rod Std (includes item 12)	1
12	1017512	Bolt	2
13	101745702	Rod Assembly Connecting Rod 0.5mm (includes item 14)	1
14	1017512	Bolt	2
15	1017501	Spacer	1
16	1017502	Snap Ring	2
17	1017503	Seal, Oil	1
18	101773301	Shim, Crankshaft, 1.18mm	1
19	101773302	Shim, Crankshaft, 1.25mm	1
20	101773303	Shim, Crankshaft, 1.32mm	1
21	101773304	Shim, Crankshaft, 1.39mm	1
22	101773305	Shim, Crankshaft, 1.46mm	1
23	101773306	Shim, Crankshaft, 1.53mm	1
24	101773307	Shim, Crankshaft, 1.60mm	1
25	101773308	Shim, Crankshaft, 1.67mm	1
26	101773309	Shim, Crankshaft, 1.74mm	1
27	101773310	Shim, Crankshaft, 1.11mm	1
28	101773311	Shim, Crankshaft, 1.81mm	1
29	103615801	Crankcase, Fe350 S26 S27	1
30	N/A	Crankshaft, Complete (includes items 31 through 34)	1
31	1016562	Key	1
32	1017471	Rod	2
33	N/A	Gear, Helical	1
34	N/A	Gear, Spur	1
35	N/A	Nut, M6 Flange	4

7

G

7
G



000200-003

FE350 ENGINE MOUNTING

ITEM	PART NO.	DESCRIPTION	QTY
		1 2 3 4	
1	1010577	Bolt, Hex-Head, 5/16-18 X 1.50	4
2	1011697	Washer, 5/16 Flat	2
3	1012571	Washer, 5/16 Extra Thick Flat	4
4	1013924	Nut, 5/16-24 Hex Head Cone	10
5	101827101	Plate, Engine Mounting	1
6	101832601	Stiffener (PTO Side)	1
7	101832701	Stiffener (Flywheel Side)	1
8	101833101	Stud, M8-1.25 X 50 mm Two-Ended	2
9	101834601	Snubber Bracket	1
10	101884801	Screw, 5/16-24 X 0.875 Grade-8	10
11	101963401	Locknut, 5/16-18 Hex Flange	4
12	102065901	Locknut, 3/8-16 Flanged Dimple	4
13	102540301	Inner Frame Snubber	1
14	334	Washer, 3/8 Type A Flat	4
15	705	Screw, Cap-hex Hd 3/8-16x1.25	4
16	96704416	Nut Flg, M8 X 1.25 Serrated	2

7

G

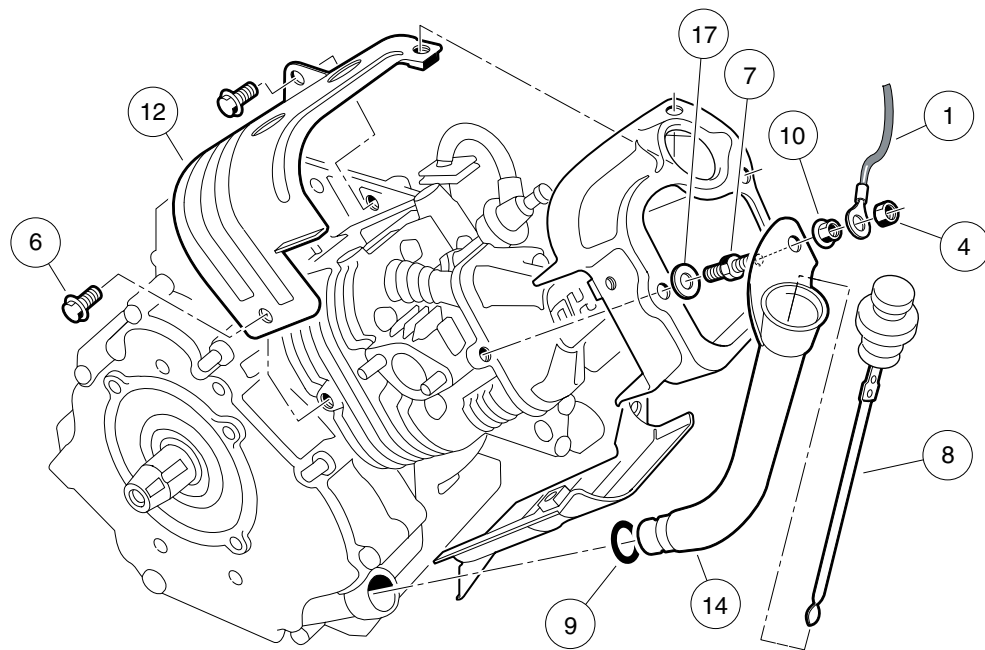
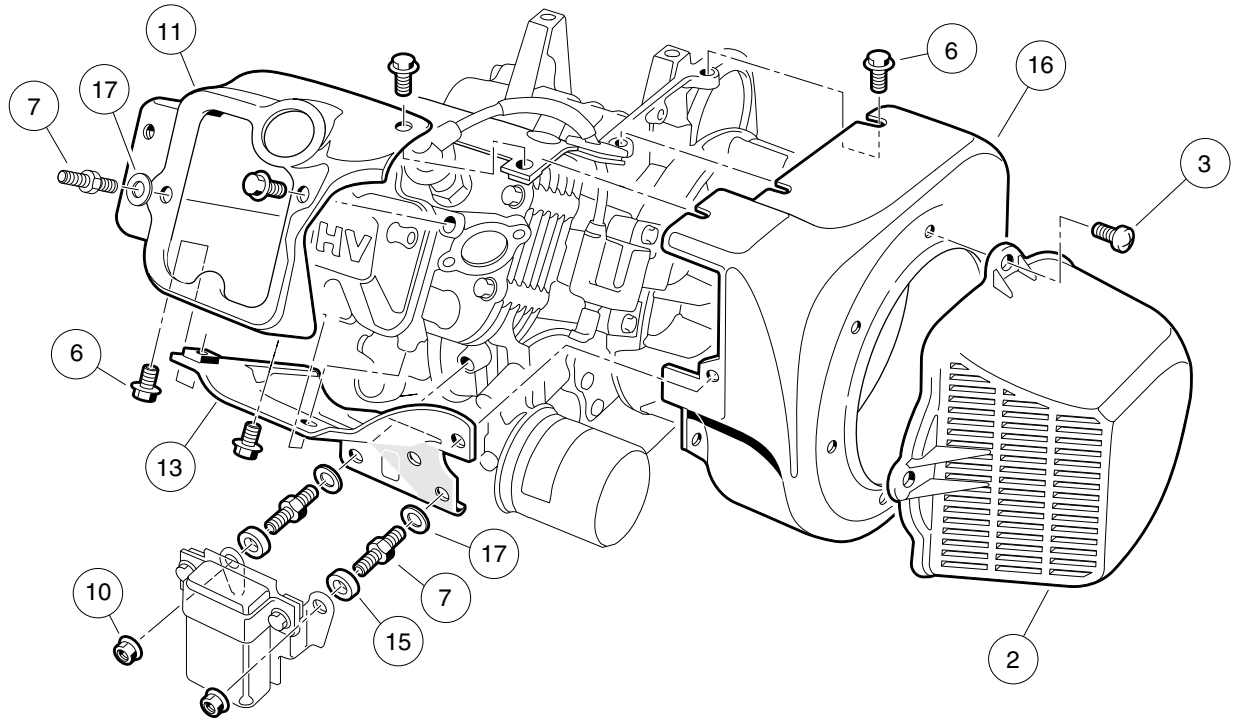
7

G

FE350 ENGINE WITH ACR (CARRYALL 6)

8

G

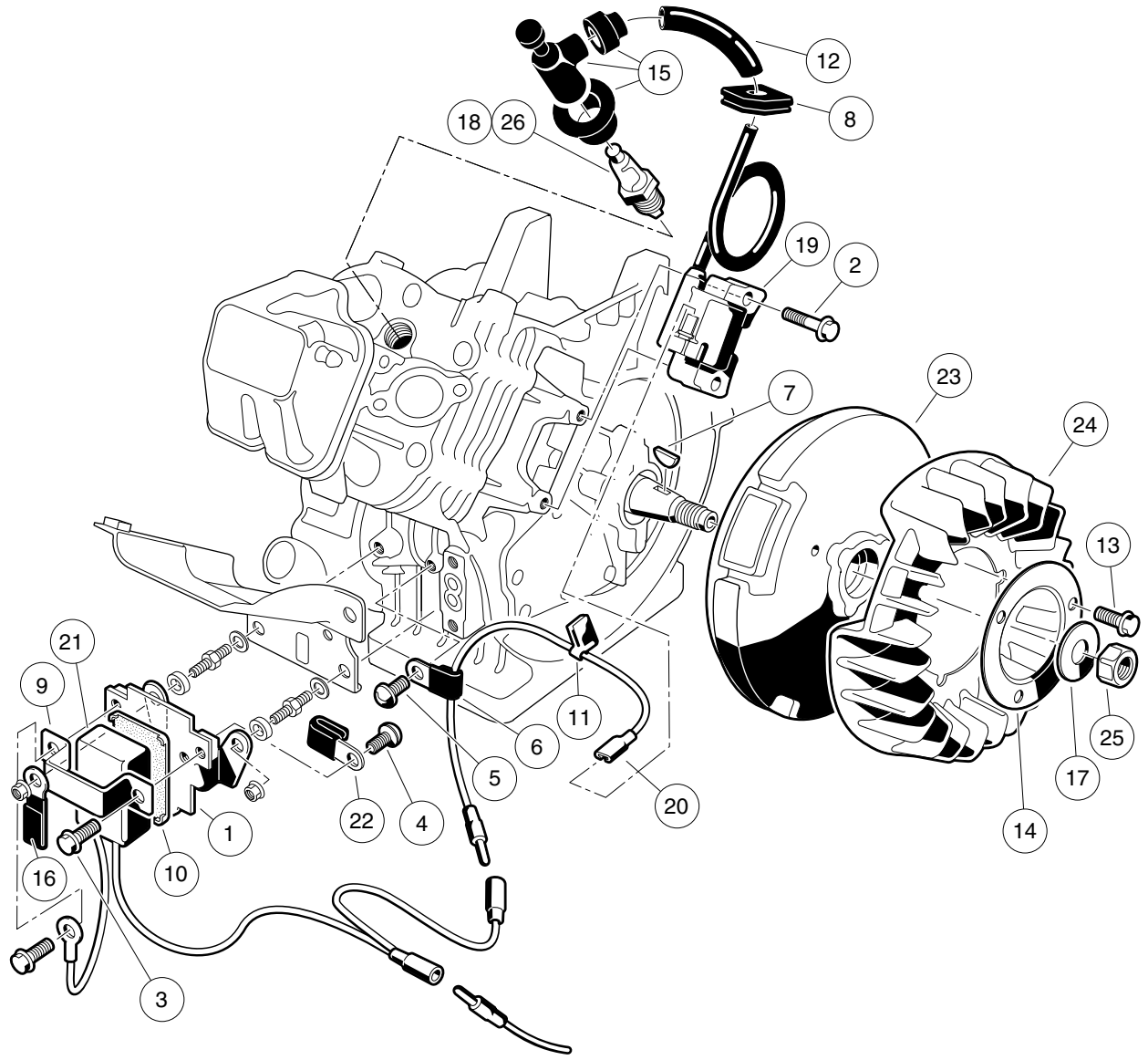


000201-001

FE350 ENGINE WITH ACR (AUTOMATIC COMPRESSION RELEASE) – SHROUDS AND BRACKETS

ITEM	PART NO.	DESCRIPTION	QTY
		1 2 3 4	
1	1015332	Wire Assembly, #10, Uninsulated	1
2	1015649	Shroud, Fan	1
3	1015969	Screw, M6-1.00 X 10mm Pan Hd	4
4	101887601	Locknut, M6-1.00 Nylon Insert	1
5	N/A	Engine, FE350 (cw) with ACR * (includes items 6 through 17)	1
6	1016456	Bolt, Flange Head, M6 x 1 x 12 mm	14
7	1016507	Bolt, Two-Ended	3
8	1016531	Dipstick	1
9	1016539	O-Ring	1
10	1016547	Nut, M6 Flange	3
11	1017474	Shroud, Engine	1
12	1017475	Shroud, Engine	1
13	1017476	Shroud, Engine	1
14	1017486	Tube, Oil Filler	1
15	1017500	Spacer 6.50 X 12 X 5.5	2
16	101916101	Housing, FE350 Fan	1
17	N/A	Washer, 6mm Flat	3
* Note: FE350 engine component listings span several pages.			

8
G

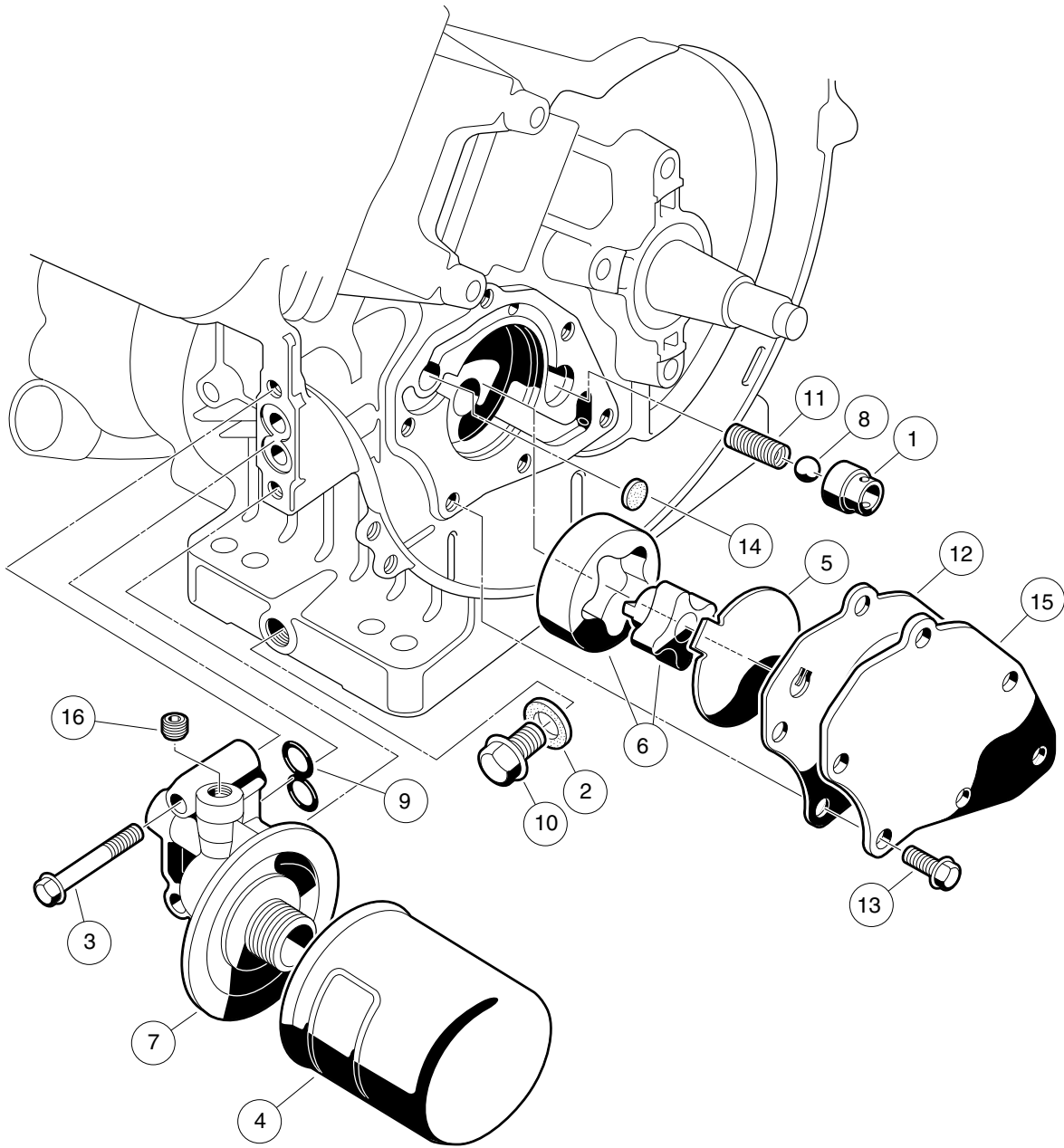


000202-001

AS11 FE350 ENGINE – IGNITION COMPONENTS AND FLYWHEEL

ITEM	PART NO.	DESCRIPTION	QTY
		1 2 3 4	
1	1016445	Bracket, RPM Limiter	1
2	1016455	Bolt, Flange Head	2
3	1016456	Bolt, Flange Head, M6 x 1 x 12 mm	2
4	1016497	Screw, Pan WP Cross	1
5	1016544	Screw	1
6	1016561	Clamp	1
7	1016562	Key	1
8	1016578	Ignition, Grommet	1
9	1016579	Band, RPM Limiter Mount	1
10	1016586	Damper, RPM Limiter	1
11	1016587	Clamp	1
12	1016588	Tube, 7mm X 10mm X 70mm	1
13	1017448	Bolt, Flanged	3
14	1017455	Plate, Flywheel Fan	1
15	1017463	Cap Asm Plug	1
16	1017468	Clamp	1
17	1017490	Washer, Flat	1
18	101881101	Spark Plug, OHV (Autolite)	1
19	101909201	Coil, Ignition	1
20	101909301	Lead Wire Assy	1
21	101909401	Limiter, RPM	1
22	N/A	Clamp, Steel	1
23	101916201	Flywheel	1
24	101916301	Fan (cw)	1
25	N/A	Nut, Hex, 18 mm Fine	1
26	AM10724	Spark Plug, OHV (NGK)	1

8
G



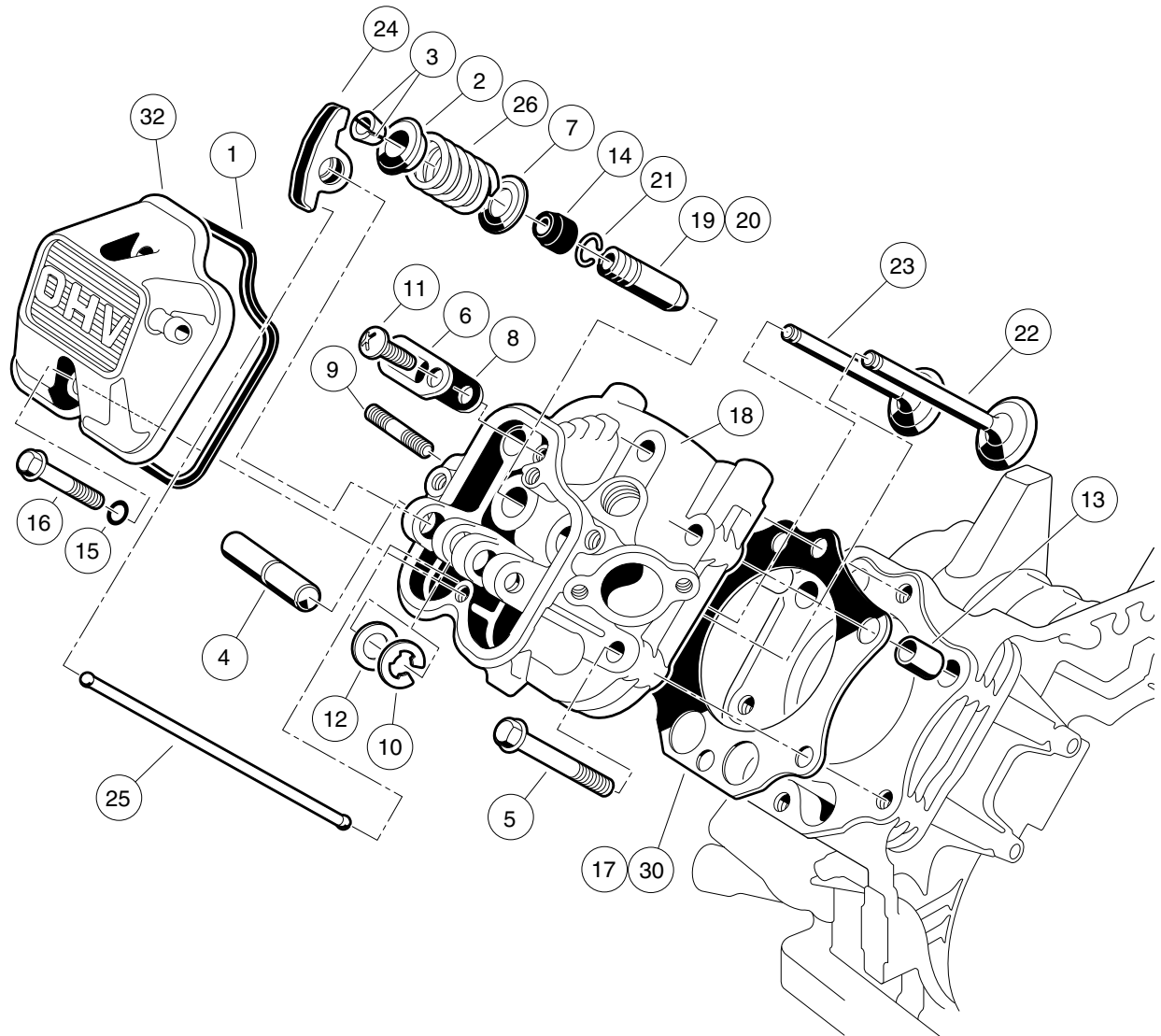
000203-001

FE350 ENGINE – OIL CIRCULATION

ITEM	PART NO.	DESCRIPTION	QTY
		1 2 3 4	
1	1016429	Seat, Value Oil Press Relief	1
2	1016432	Gasket, Drain Plug	1
3	1016457	Bolt, Flange Head	2
4	1016467	Filter, Oil	1
5	1016473	Plate, Oil Pump	1
6	101648203	Oil Pump And Rotor	1
7	1016502	Bracket, Oil Filter Mount	1
8	1016537	Ball, Steel, Press, Relief	1
9	1016570	O-Ring	1
10	1016576	Plug, Drain	1
11	1016581	Spring	1
12	1017442	Gasket	1
13	1017456	Bolt, Flanged	6
14	1017458	Filter	1
15	1017460	Cover, Pump	1
16	1017507	Plug	2

8

G



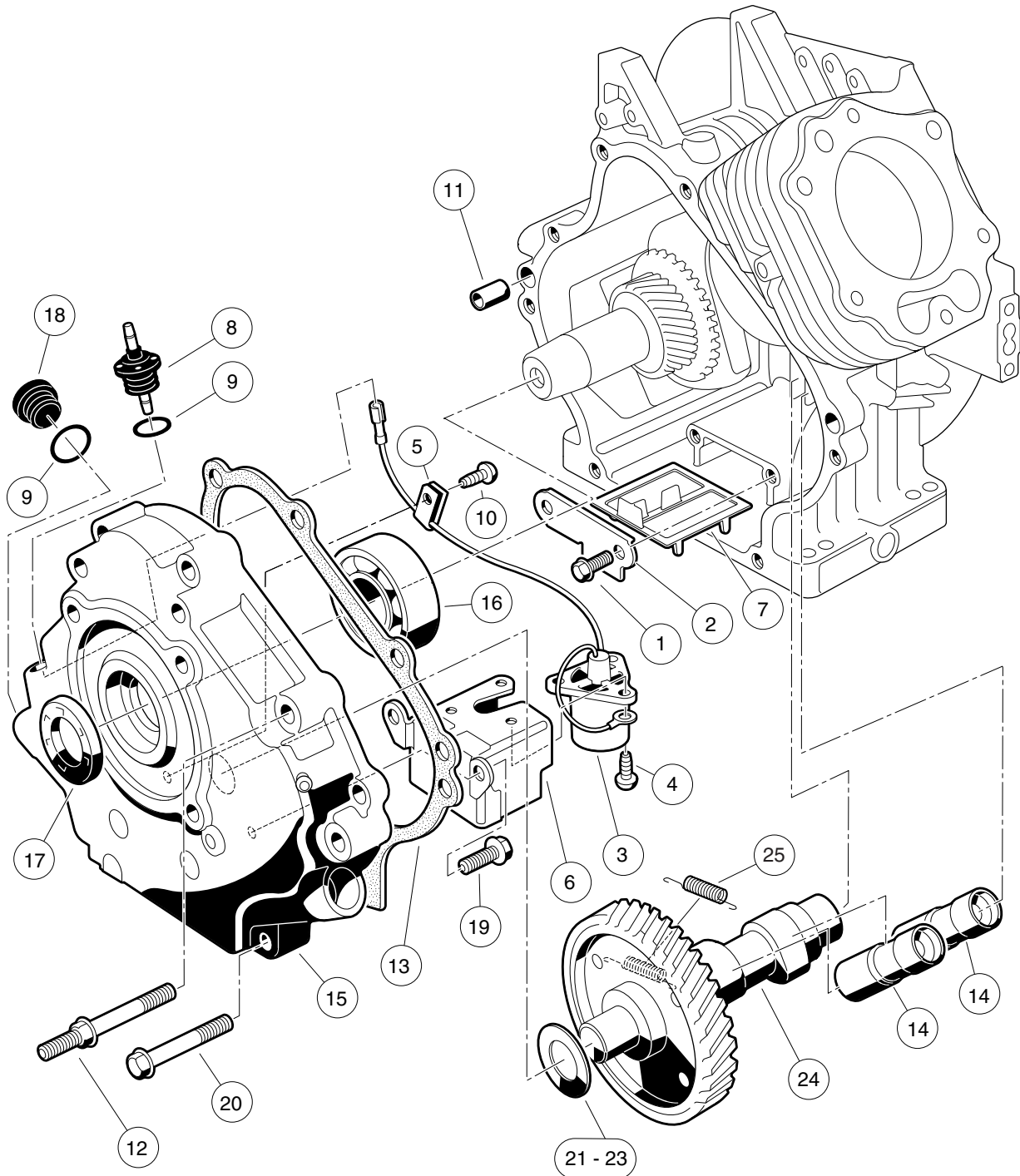
000204-001

AS11 FE350 ENGINE – CYLINDER HEAD

ITEM	PART NO.	DESCRIPTION	QTY
		1 2 3 4	
1	1016436	Gasket, Rocker Case	1
2	1016449	Retainer, Valve Spring	2
3	1016450	Collet	4
4	1016452	Shaft, Rocker	1
5	1016458	Bolt, Flange Head, M8 x 1.25 x 45 mm	6
6	1016474	Plate	1
7	1016479	Seat, Spring	2
8	1016483	Valve	1
9	1016489	Stud, Two-Ended, M8-1.25	2
10	1016517	Circlip, Type-E	1
11	1016544	Screw	1
12	1016549	Washer, 12.1x19x1.8	1
13	1016563	Pin	2
14	1016566	Seal, Oil	2
15	1016569	O-Ring	2
16	1016583	Bolt, 6x35	2
17	1017434	Gasket, Head	1
18	1017435	Assembly, Cylinder Head, FE350 (includes items 19 through 21)	1
19	1016518	Guide, Valve, Exhaust	1
20	1016519	Guide, Valve	1
21	1016560	Snap Ring	2
22	1017444	Valve, Intake	1
23	1017445	Valve, Exhaust	1
24	1017446	Arm, Rocker	2
25	1017454	Rod, Push	2
26	1017473	Spring, Engine Valve	2
27	102304801	Kit, Gasket, FE350 (includes items 28 through 31)	1
28	1016440	Gasket, Engine to Insulator	1
29	1016904	Gasket, Exhaust	1
30	1017434	Gasket, Head	1
31	N/A	Gasket, Crankcase Cover	1
32	102753401	Case, Rocker	1
		Note: Item 28 is not a component of the FE350 engine.	

8

G

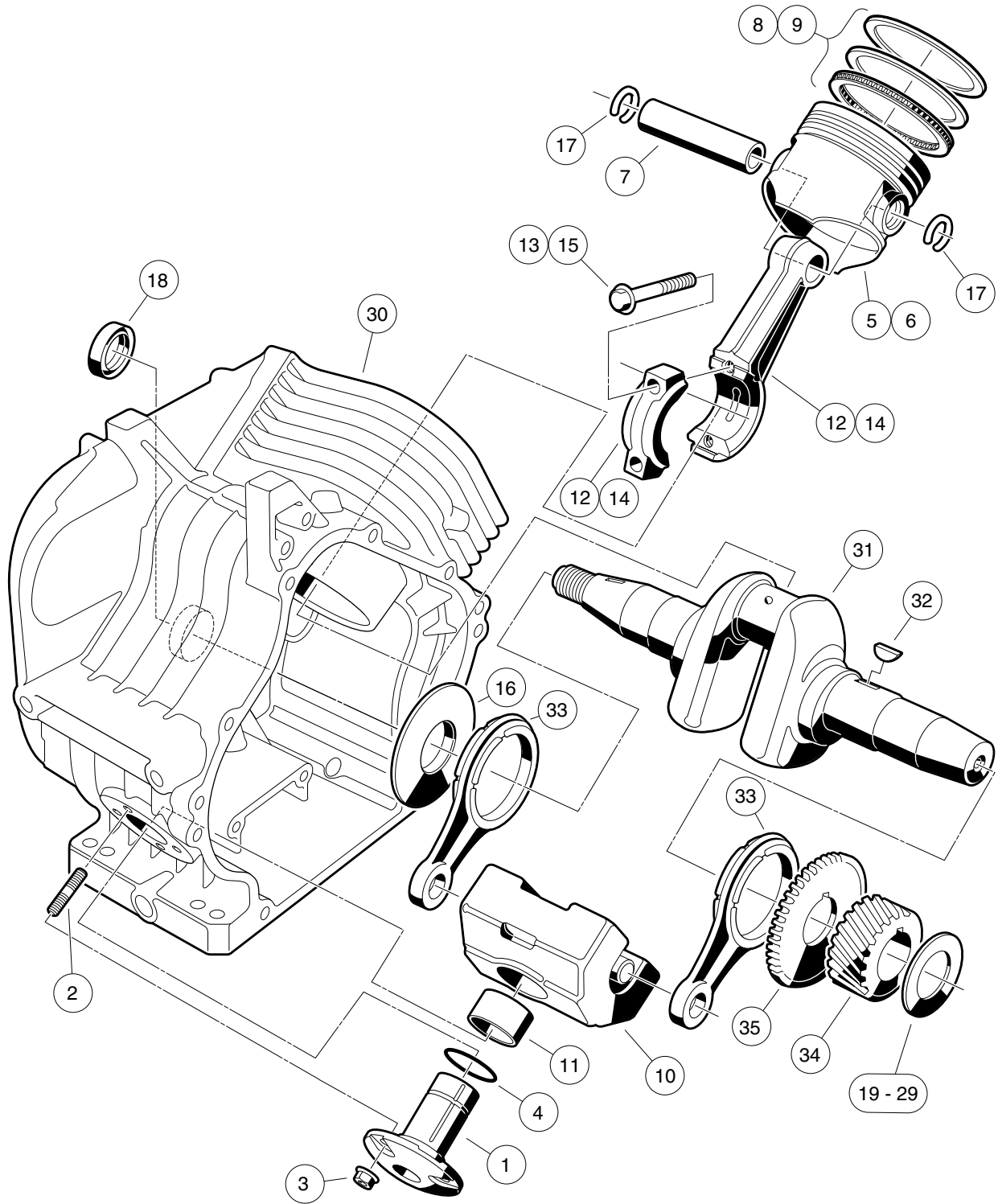


000205-001

FE350 ENGINE WITH ACR – CRANKCASE, CAMSHAFT, AND OIL SENSOR

ITEM	PART NO.	DESCRIPTION	QTY
		1 2 3 4	
1	1016454	Bolt, Flange Head, M5 x 0.8 x 8 mm	2
2	1016472	Plate, Oil Filter Screen	1
3	1016494	Sensor, Oil Level	1
4	1016496	Screw, Cross Pan-Head, M4 x 0.7 x 8 mm	3
5	1016506	Clamp	1
6	1016510	Bracket, Switch, Oil Level	1
7	1016521	Screen, Oil Filter	1
8	1016535	Connector, Cord	1
9	1016538	O-Ring	2
10	1016544	Screw	1
11	1016564	Pin	2
12	1016584	Bolt, Two-Ended, M8 x 1.25 x 69 mm	2
13	N/A	Gasket, Crankcase Cover	1
14	1017447	Adjuster, Lash	2
15	1017472	Cover Crankcase	1
16	1017487	Bearing, Ball	1
17	1017504	Seal, Oil	1
18	1017508	Plug	1
19	1017513	Bolt Switch Bracket	2
20	1017514	Screw, M8-1.25 X 45mm Hex	6
21	101751801	Shim, 0.3	1
22	101751802	Shim, 0.4	1
23	101751803	Shim, 0.5	1
24	102271601	Camshaft, FE350/FE400 with ACR, 44-tooth (includes item 25)	1
25	1017511	Spring	1

8
G



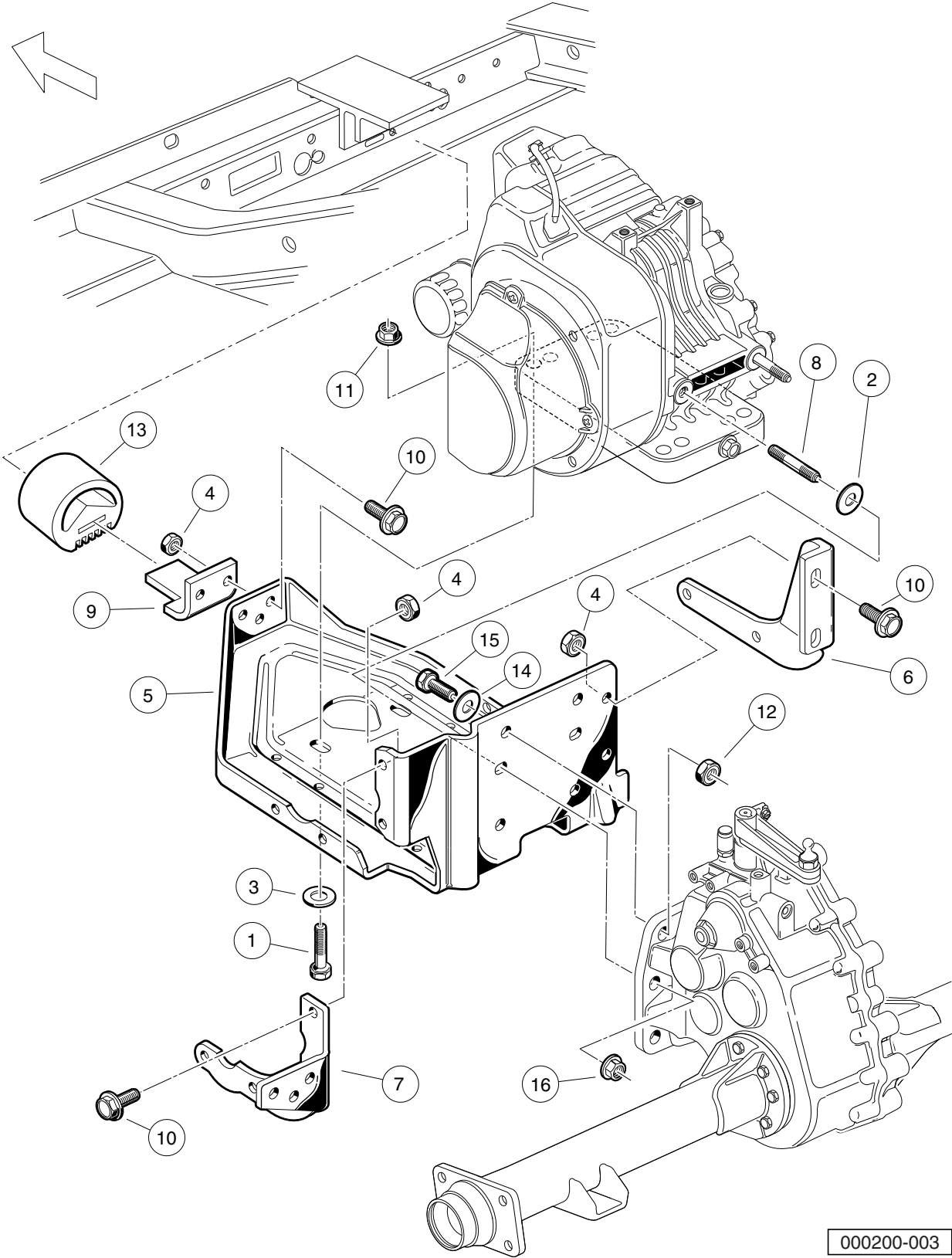
000206-001

AS11 FE350 ENGINE – CRANKCASE AND CRANKSHAFT

ITEM	PART NO.	DESCRIPTION	QTY
		1 2 3 4	
1	1016470	Shaft, Guide, Counterbalance	1
2	1016541	Stud, 6x14	4
3	1016547	Nut, M6 Flange	4
4	1016571	O-Ring	1
5	101744901	Piston, Standard	1
6	101744902	Piston, 0.50 mm Oversize	1
7	1017450	Pin, Piston	1
8	101745101	Ring Set, Standard Piston	1
9	101745102	Ring Set, Piston, 0.50 mm Oversize	1
10	1017453	Fe400 Counterbalance Weight (includes item 11)	1
11	1017510	Bearing, Plain	1
12	101745701	Asm, Con. Rod Std (includes item 13)	1
13	1017512	Bolt	2
14	101745702	Rod Assembly Connecting Rod 0.5mm (includes item 15)	1
15	1017512	Bolt	2
16	1017501	Spacer	1
17	1017502	Snap Ring	2
18	1017503	Seal, Oil	1
19	101773301	Shim, Crankshaft, 1.18mm	1
20	101773302	Shim, Crankshaft, 1.25mm	1
21	101773303	Shim, Crankshaft, 1.32mm	1
22	101773304	Shim, Crankshaft, 1.39mm	1
23	101773305	Shim, Crankshaft, 1.46mm	1
24	101773306	Shim, Crankshaft, 1.53mm	1
25	101773307	Shim, Crankshaft, 1.60mm	1
26	101773308	Shim, Crankshaft, 1.67mm	1
27	101773309	Shim, Crankshaft, 1.74mm	1
28	101773310	Shim, Crankshaft, 1.11 mm	1
29	101773311	Shim, Crankshaft, 1.81mm	1
30	101916001	Crankcase Complete, FE350 (cw)	1
31	102430901	Crankshaft, FE350 Left-Hand, 22-Tooth (includes items 32 through 35)	1
32	1016562	Key	1
33	1017471	Rod	2
34	N/A	Gear, Helical	1
35	N/A	Gear, Spur	1

8
G

8
G



000200-003

FE350 ENGINE MOUNTING

ITEM	PART NO.	DESCRIPTION	QTY
		1 2 3 4	
1	1010577	Bolt, Hex-Head, 5/16-18 X 1.50	4
2	1011697	Washer, 5/16 Flat	2
3	1012571	Washer, 5/16 Extra Thick Flat	4
4	1013924	Nut, 5/16-24 Hex Head Cone	10
5	101827101	Plate, Engine Mounting	1
6	101832601	Stiffener (PTO Side)	1
7	101832701	Stiffener (Flywheel Side)	1
8	101833101	Stud, M8-1.25 X 50 mm Two-Ended	2
9	101834601	Snubber Bracket	1
10	101884801	Screw, 5/16-24 X 0.875 Grade-8	10
11	101963401	Locknut, 5/16-18 Hex Flange	4
12	102065901	Locknut, 3/8-16 Flanged Dimple	4
13	102540301	Inner Frame Snubber	1
14	334	Washer, 3/8 Type A Flat	4
15	705	Screw, Cap-hex Hd 3/8-16x1.25	4
16	96704416	Nut Flg, M8 X 1.25 Serrated	2

8

G

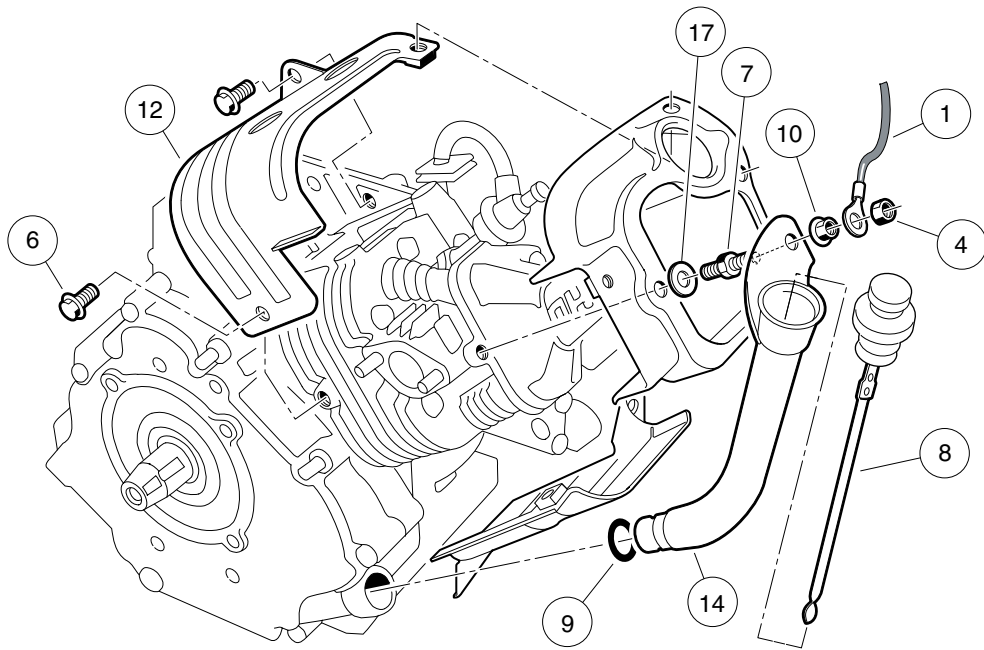
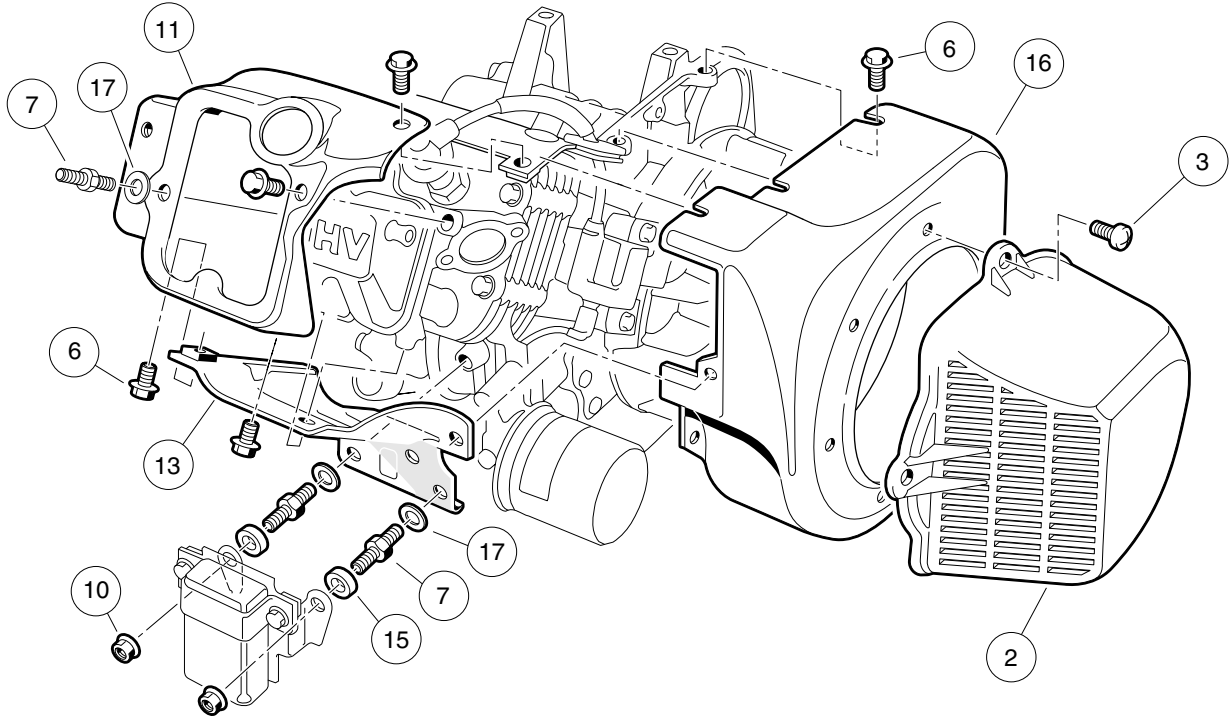
8

G

FE350 ENGINE WITHOUT ACR (TURF 6 – PEDAL-START GASOLINE)

9

G



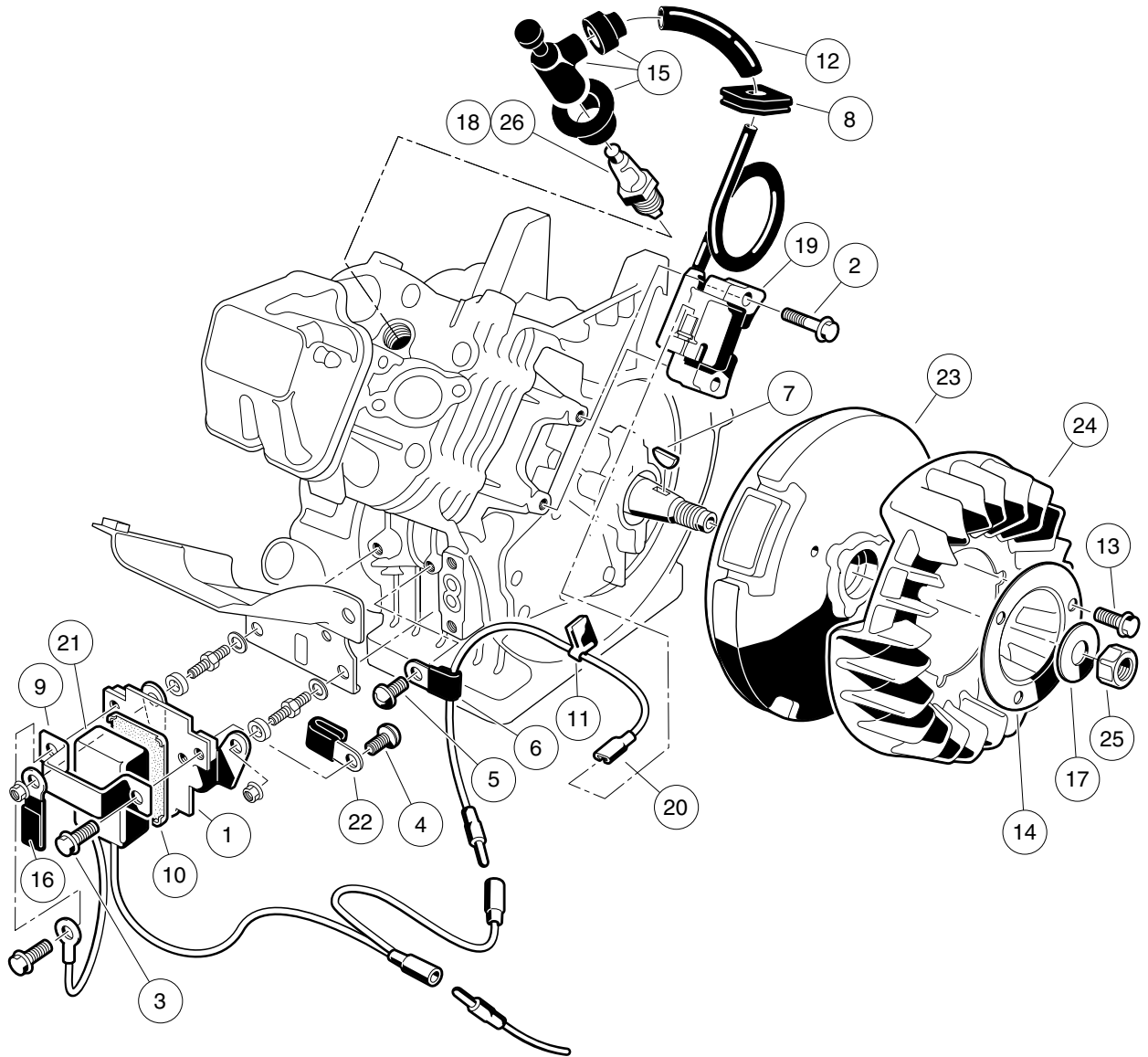
000201-001

AS11 FE350 ENGINE WITHOUT ACR (AUTOMATIC COMPRESSION RELEASE) – SHROUDS AND BRACKETS

ITEM	PART NO.	DESCRIPTION	QTY
		1 2 3 4	
1	1015332	Wire Assembly, #10, Uninsulated	1
2	1015649	Shroud, Fan	1
3	1015969	Screw, M6-1.00 X 10mm Pan Hd	4
4	101887601	Locknut, M6-1.00 Nylon Insert	1
5	N/A	Engine, FE350 (cw) without ACR * (includes items 6 through 17)	1
6	1016456	Bolt, Flange Head, M6 x 1 x 12 mm	14
7	1016507	Bolt, Two-Ended	3
8	1016531	Dipstick	1
9	1016539	O-Ring	1
10	1016547	Nut, M6 Flange	3
11	1017474	Shroud, Engine	1
12	1017475	Shroud, Engine	1
13	1017476	Shroud, Engine	1
14	1017486	Tube, Oil Filler	1
15	1017500	Spacer 6.50 X 12 X 5.5	2
16	101916101	Housing, FE350 Fan	1
17	N/A	Washer, 6mm Flat	3
* Note: FE350 engine component listings span several pages.			

9

G

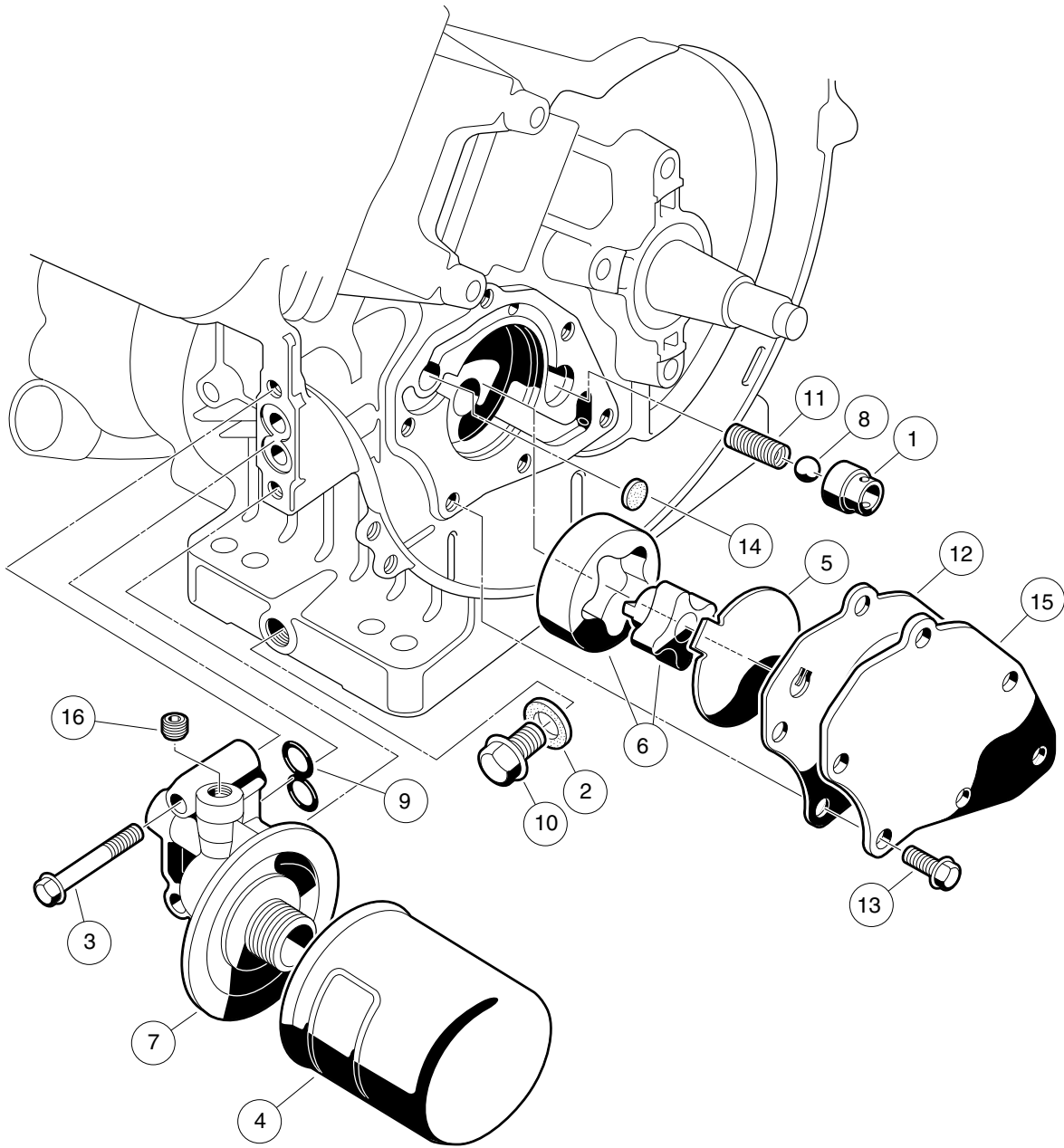


000202-001

AS11 FE350 ENGINE – IGNITION COMPONENTS AND FLYWHEEL

ITEM	PART NO.	DESCRIPTION	QTY
		1 2 3 4	
1	1016445	Bracket, RPM Limiter	1
2	1016455	Bolt, Flange Head	2
3	1016456	Bolt, Flange Head, M6 x 1 x 12 mm	2
4	1016497	Screw, Pan WP Cross	1
5	1016544	Screw	1
6	1016561	Clamp	1
7	1016562	Key	1
8	1016578	Ignition, Grommet	1
9	1016579	Band, RPM Limiter Mount	1
10	1016586	Damper, RPM Limiter	1
11	1016587	Clamp	1
12	1016588	Tube, 7mm X 10mm X 70mm	1
13	1017448	Bolt, Flanged	3
14	1017455	Plate, Flywheel Fan	1
15	1017463	Cap Asm Plug	1
16	1017468	Clamp	1
17	1017490	Washer, Flat	1
18	101881101	Spark Plug, OHV (Autolite)	1
19	101909201	Coil, Ignition	1
20	101909301	Lead Wire Assy	1
21	101909401	Limiter, RPM	1
22	N/A	Clamp, Steel	1
23	101916201	Flywheel	1
24	101916301	Fan (cw)	1
25	N/A	Nut, Hex, 18 mm Fine	1
26	AM10724	Spark Plug, OHV (NGK)	1

9
G



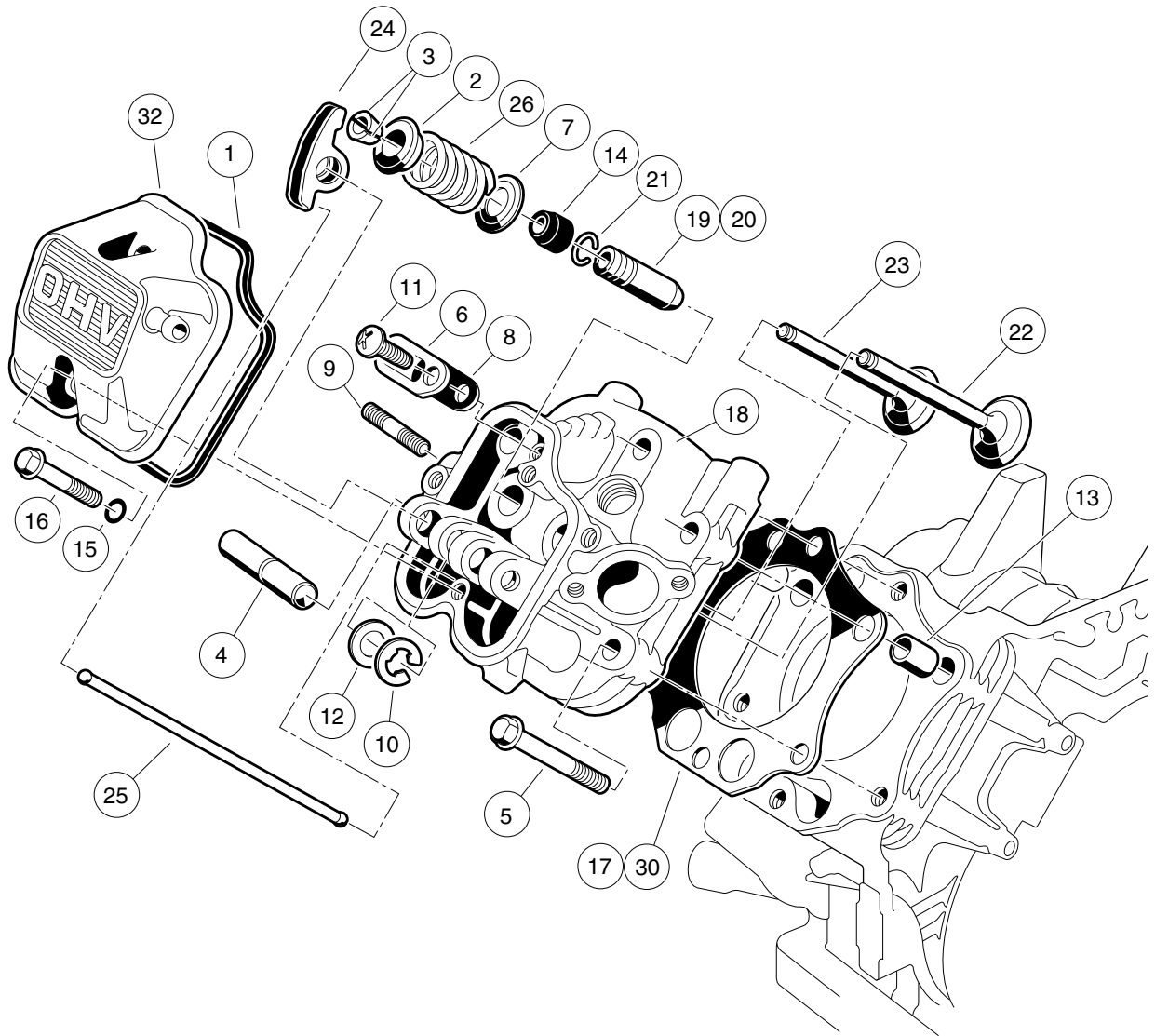
000203-001

FE350 ENGINE – OIL CIRCULATION

ITEM	PART NO.	DESCRIPTION	QTY
		1 2 3 4	
1	1016429	Seat, Value Oil Press Relief	1
2	1016432	Gasket, Drain Plug	1
3	1016457	Bolt, Flange Head	2
4	1016467	Filter, Oil	1
5	1016473	Plate, Oil Pump	1
6	101648203	Oil Pump And Rotor	1
7	1016502	Bracket, Oil Filter Mount	1
8	1016537	Ball, Steel, Press, Relief	1
9	1016570	O-Ring	1
10	1016576	Plug, Drain	1
11	1016581	Spring	1
12	1017442	Gasket	1
13	1017456	Bolt, Flanged	6
14	1017458	Filter	1
15	1017460	Cover, Pump	1
16	1017507	Plug	2

9

G



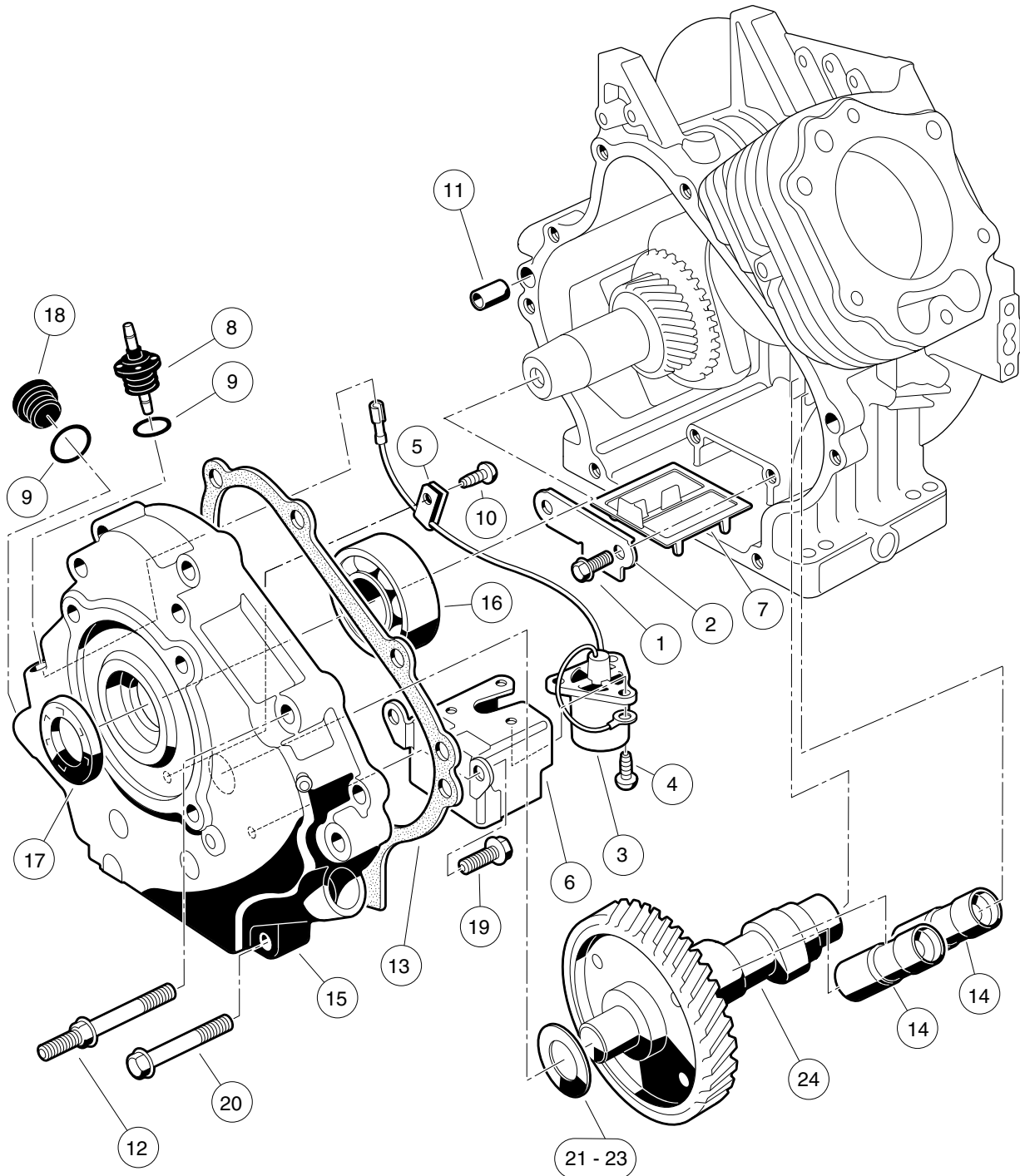
000204-001

AS11 FE350 ENGINE – CYLINDER HEAD

ITEM	PART NO.	DESCRIPTION	QTY
		1 2 3 4	
1	1016436	Gasket, Rocker Case	1
2	1016449	Retainer, Valve Spring	2
3	1016450	Collet	4
4	1016452	Shaft, Rocker	1
5	1016458	Bolt, Flange Head, M8 x 1.25 x 45 mm	6
6	1016474	Plate	1
7	1016479	Seat, Spring	2
8	1016483	Valve	1
9	1016489	Stud, Two-Ended, M8-1.25	2
10	1016517	Circlip, Type-E	1
11	1016544	Screw	1
12	1016549	Washer, 12.1x19x1.8	1
13	1016563	Pin	2
14	1016566	Seal, Oil	2
15	1016569	O-Ring	2
16	1016583	Bolt, 6x35	2
17	1017434	Gasket, Head	1
18	1017435	Assembly, Cylinder Head, FE350 (includes items 19 through 21)	1
19	1016518	Guide, Valve, Exhaust	1
20	1016519	Guide, Valve	1
21	1016560	Snap Ring	2
22	1017444	Valve, Intake	1
23	1017445	Valve, Exhaust	1
24	1017446	Arm, Rocker	2
25	1017454	Rod, Push	2
26	1017473	Spring, Engine Valve	2
27	102304801	Kit, Gasket, FE350 (includes items 28 through 31)	1
28	1016440	Gasket, Engine to Insulator	1
29	1016904	Gasket, Exhaust	1
30	1017434	Gasket, Head	1
31	N/A	Gasket, Crankcase Cover	1
32	102753401	Case, Rocker	1
		Note: Item 28 is not a component of the FE350 engine.	

9

G

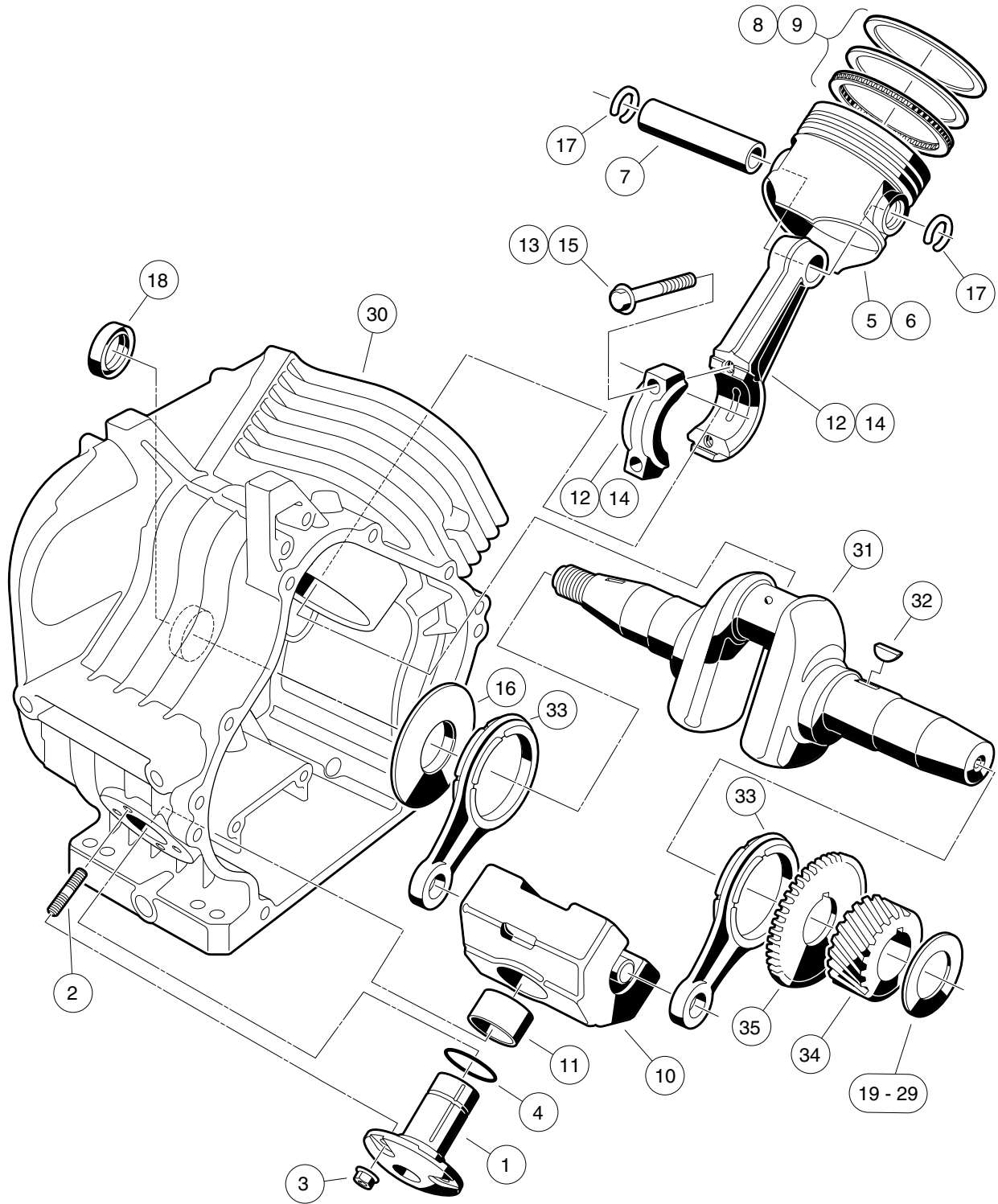


000205-002

AS11 FE350 ENGINE WITHOUT ACR – CRANKCASE, CAMSHAFT, AND OIL SENSOR

ITEM	PART NO.	DESCRIPTION	QTY
		1 2 3 4	
1	1016454	Bolt, Flange Head, M5 x 0.8 x 8 mm	2
2	1016472	Plate, Oil Filter Screen	1
3	1016494	Sensor, Oil Level	1
4	1016496	Screw, Cross Pan-Head, M4 x 0.7 x 8 mm	3
5	1016506	Clamp	1
6	1016510	Bracket, Switch, Oil Level	1
7	1016521	Screen, Oil Filter	1
8	1016535	Connector, Cord	1
9	1016538	O-Ring	2
10	1016544	Screw	1
11	1016564	Pin	2
12	1016584	Bolt, Two-Ended, M8 x 1.25 x 69 mm	2
13	N/A	Gasket, Crankcase Cover	1
14	1017447	Adjuster, Lash	2
15	1017472	Cover Crankcase	1
16	1017487	Bearing, Ball	1
17	1017504	Seal, Oil	1
18	1017508	Plug	1
19	1017513	Bolt Switch Bracket	2
20	1017514	Screw, M8-1.25 X 45mm Hex	6
21	101751801	Shim, 0.3	1
22	101751802	Shim, 0.4	1
23	101751803	Shim, 0.5	1
24	102431001	Camshaft, FE350 without ACR, 44-Tooth	1

9
G



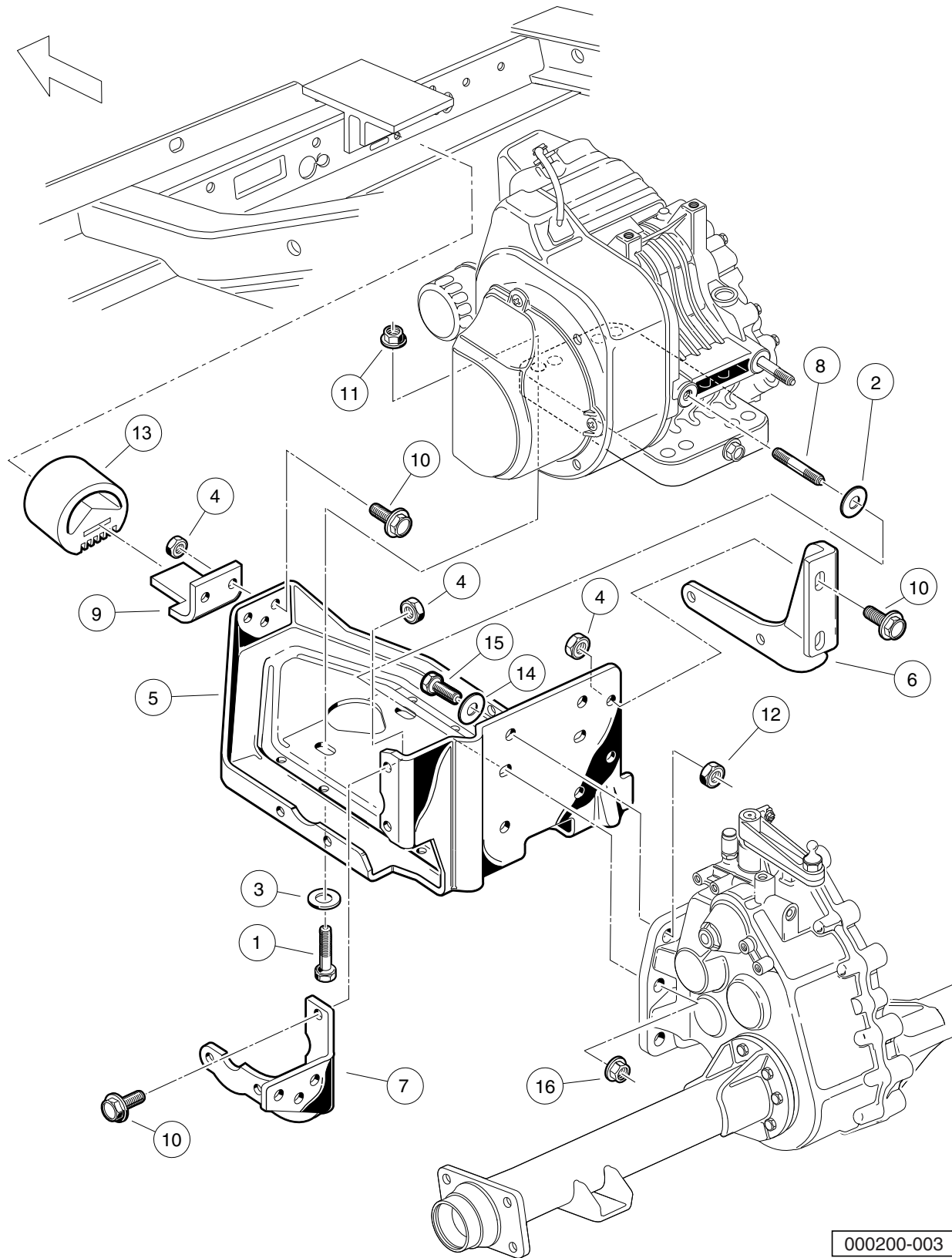
000206-001

AS11 FE350 ENGINE – CRANKCASE AND CRANKSHAFT

ITEM	PART NO.	DESCRIPTION	QTY
		1 2 3 4	
1	1016470	Shaft, Guide, Counterbalance	1
2	1016541	Stud, 6x14	4
3	1016547	Nut, M6 Flange	4
4	1016571	O-Ring	1
5	101744901	Piston, Standard	1
6	101744902	Piston, 0.50 mm Oversize	1
7	1017450	Pin, Piston	1
8	101745101	Ring Set, Standard Piston	1
9	101745102	Ring Set, Piston, 0.50 mm Oversize	1
10	1017453	Fe400 Counterbalance Weight (includes item 11)	1
11	1017510	Bearing, Plain	1
12	101745701	Asm, Con. Rod Std (includes item 13)	1
13	1017512	Bolt	2
14	101745702	Rod Assembly Connecting Rod 0.5mm (includes item 15)	1
15	1017512	Bolt	2
16	1017501	Spacer	1
17	1017502	Snap Ring	2
18	1017503	Seal, Oil	1
19	101773301	Shim, Crankshaft, 1.18mm	1
20	101773302	Shim, Crankshaft, 1.25mm	1
21	101773303	Shim, Crankshaft, 1.32mm	1
22	101773304	Shim, Crankshaft, 1.39mm	1
23	101773305	Shim, Crankshaft, 1.46mm	1
24	101773306	Shim, Crankshaft, 1.53mm	1
25	101773307	Shim, Crankshaft, 1.60mm	1
26	101773308	Shim, Crankshaft, 1.67mm	1
27	101773309	Shim, Crankshaft, 1.74mm	1
28	101773310	Shim, Crankshaft, 1.11 mm	1
29	101773311	Shim, Crankshaft, 1.81mm	1
30	101916001	Crankcase Complete, FE350 (cw)	1
31	102430901	Crankshaft, FE350 Left-Hand, 22-Tooth (includes items 32 through 35)	1
32	1016562	Key	1
33	1017471	Rod	2
34	N/A	Gear, Helical	1
35	N/A	Gear, Spur	1

9

G



000200-003

FE350 ENGINE MOUNTING

ITEM	PART NO.	DESCRIPTION	QTY
		1 2 3 4	
1	1010577	Bolt, Hex-Head, 5/16-18 X 1.50	4
2	1011697	Washer, 5/16 Flat	2
3	1012571	Washer, 5/16 Extra Thick Flat	4
4	1013924	Nut, 5/16-24 Hex Head Cone	10
5	101827101	Plate, Engine Mounting	1
6	101832601	Stiffener (PTO Side)	1
7	101832701	Stiffener (Flywheel Side)	1
8	101833101	Stud, M8-1.25 X 50 mm Two-Ended	2
9	101834601	Snubber Bracket	1
10	101884801	Screw, 5/16-24 X 0.875 Grade-8	10
11	101963401	Locknut, 5/16-18 Hex Flange	4
12	102065901	Locknut, 3/8-16 Flanged Dimple	4
13	102540301	Inner Frame Snubber	1
14	334	Washer, 3/8 Type A Flat	4
15	705	Screw, Cap-hex Hd 3/8-16x1.25	4
16	96704416	Nut Flg, M8 X 1.25 Serrated	2

9

G

9

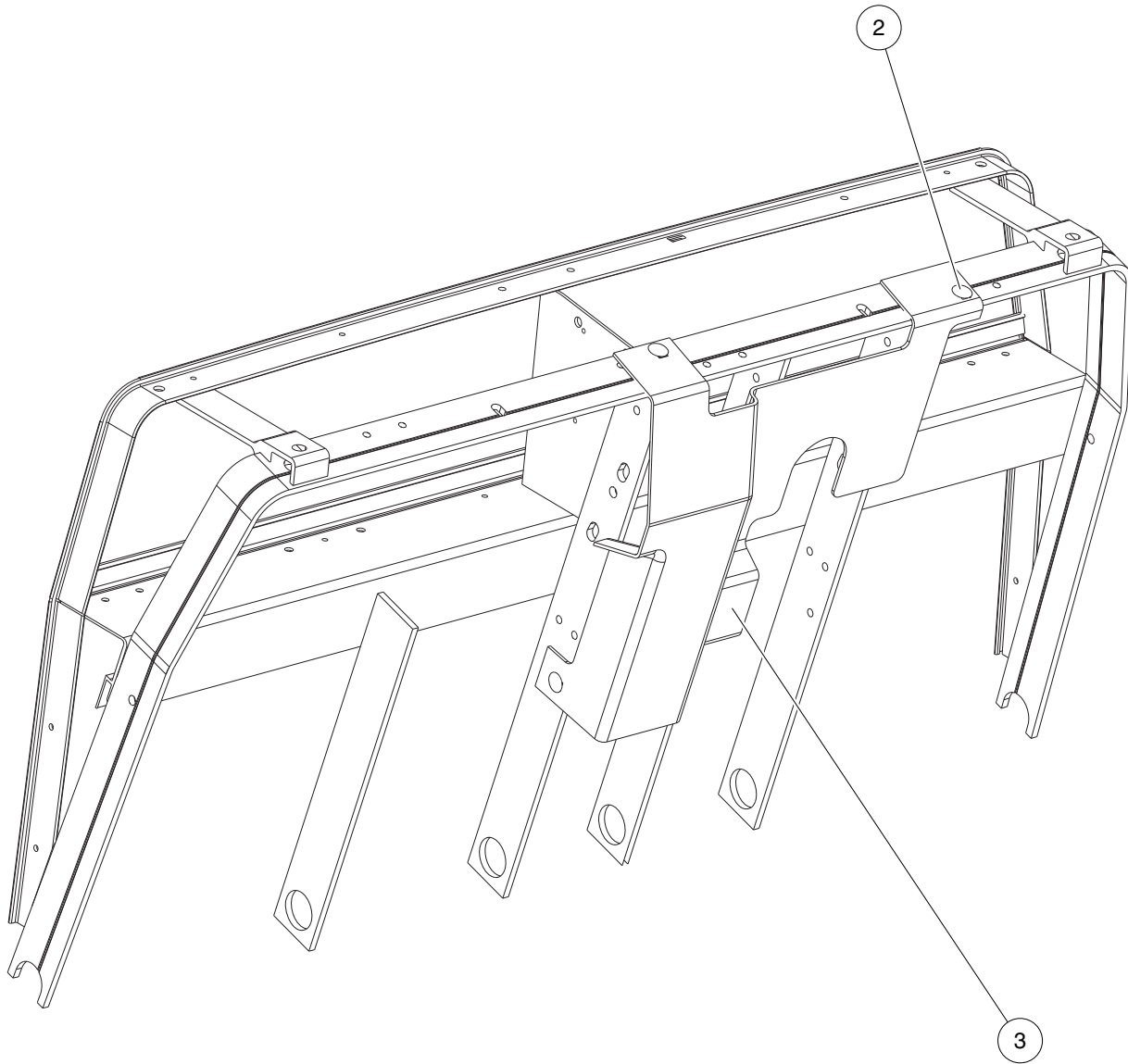
G

FUEL, INTAKE, AND GOVERNOR SYSTEMS

10

G

10
G



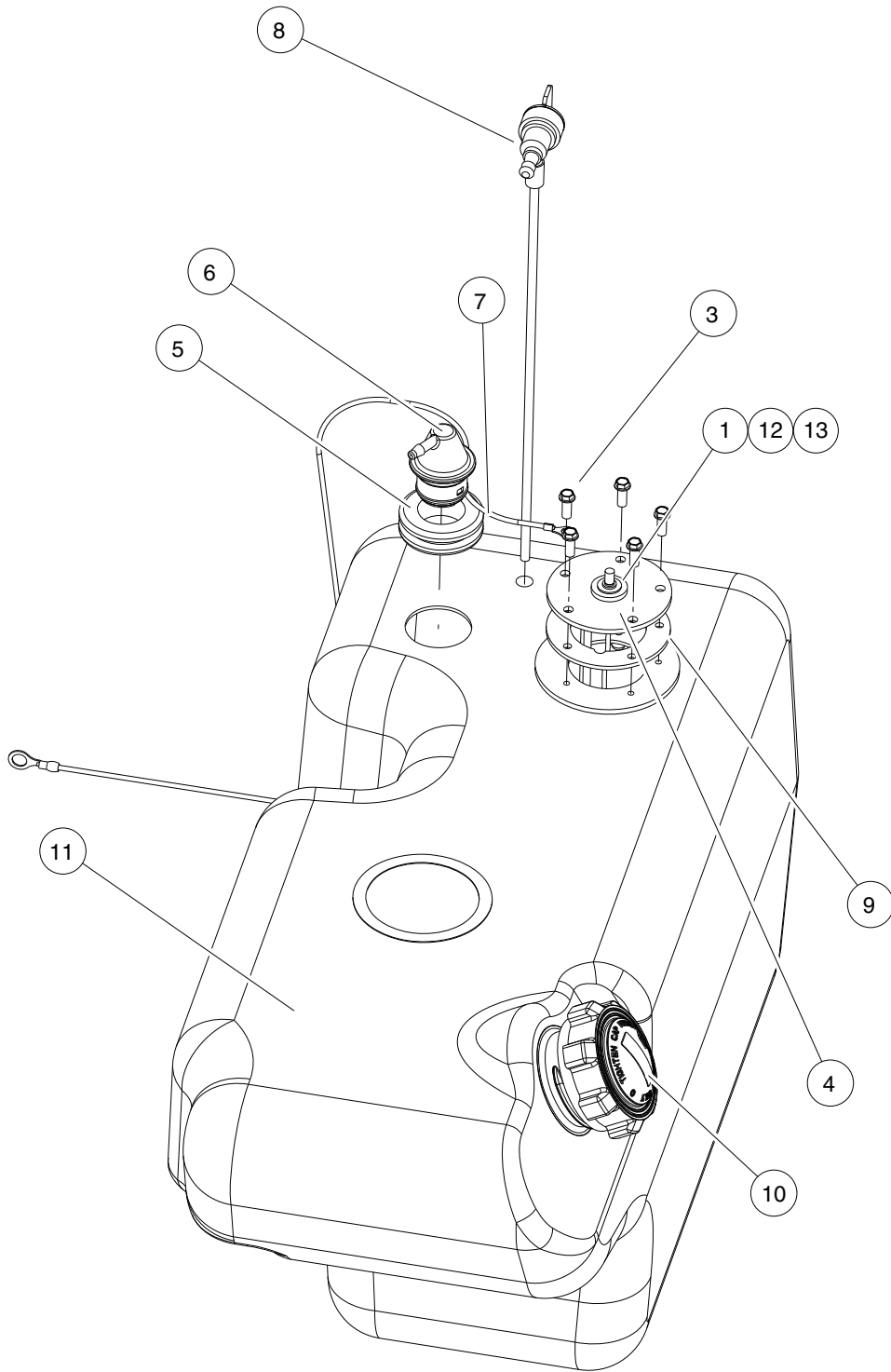
000593-001

SPLASH GUARD

ITEM	PART NO.	DESCRIPTION	QTY
		1 2 3 4	
1	N/A	Instl, Splashguard, Ca (includes items 2 and 3)	1
2	1010434	Barrel - Plastic	3
3	103174401	Splash Guard	1

10

G



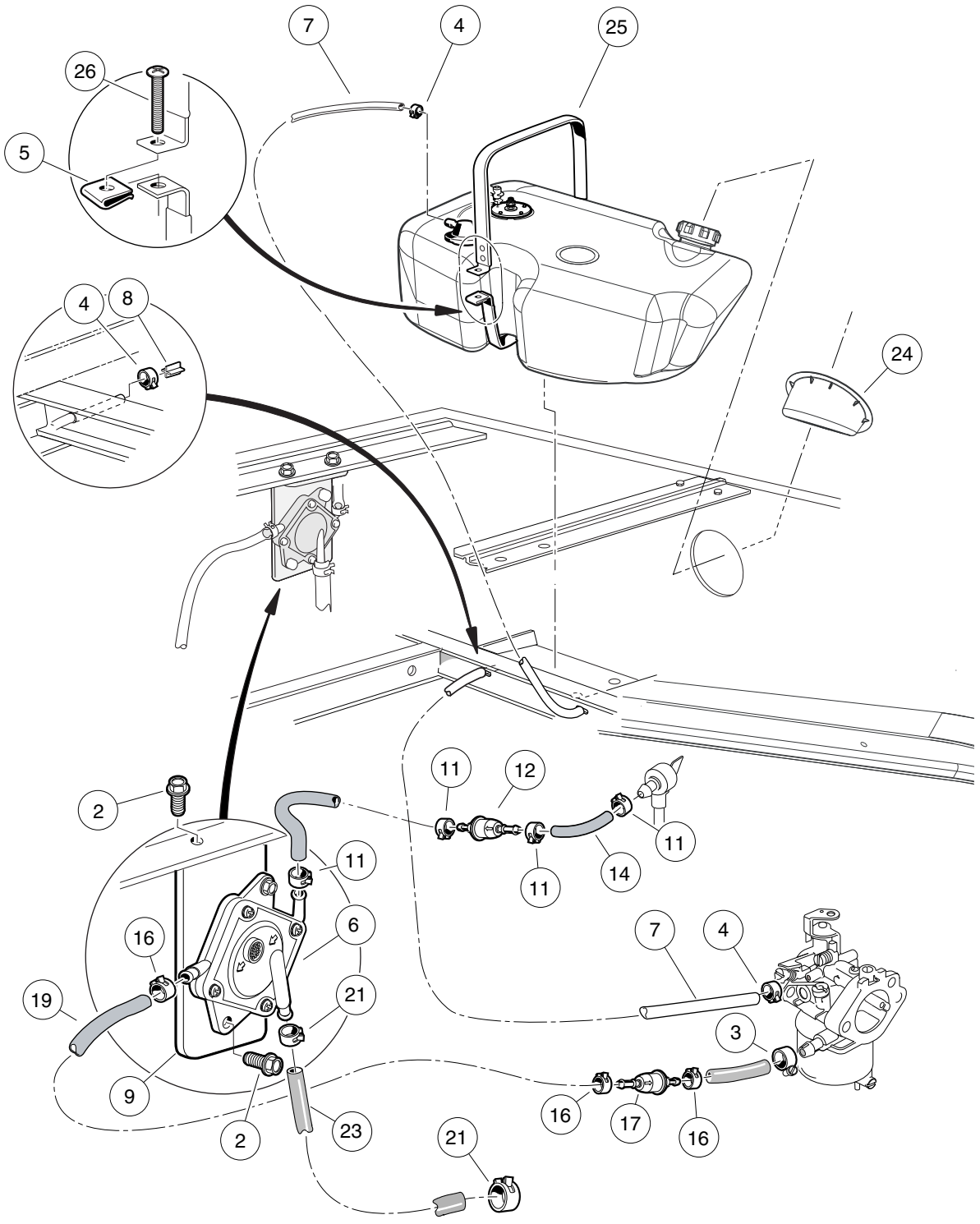
000609-001

FUEL TANK (NON-CLIFORNIA) WITH SENDING UNIT

ITEM	PART NO.	DESCRIPTION	QTY
		1 2 3 4	
1	1016	Lockwasher, #10 Split	1
2	N/A	Asm, Fuel Tank, Side Fill, Su (includes items 3 through 11)	1
3	1013461	Screw, #10-16 Hex-Head Hi-Lo	5
4	1013462	Sending Unit, Fuel Level *	1
5	1015139	Insulation Grommet	1
6	1015143	Vent, Fuel Tank	1
7	N/A	Wire Assembly #16 Black	1
8	102513701	Valve - Fuel Pickup Tube	1
9	102522001	Gasket, Rubber	1
10	102751601	Cap, Fuel Tank, Gasoline	1
11	N/A	Tank, Fuel, Side Fill	1
12	183	Washer, #10 Type A Flat	1
13	8797	Nut, #10-32 Brass Hex	1
<p style="margin-left: 40px;">* Note: Must replace fuel sending unit gasket when servicing this component.</p>			

10

G

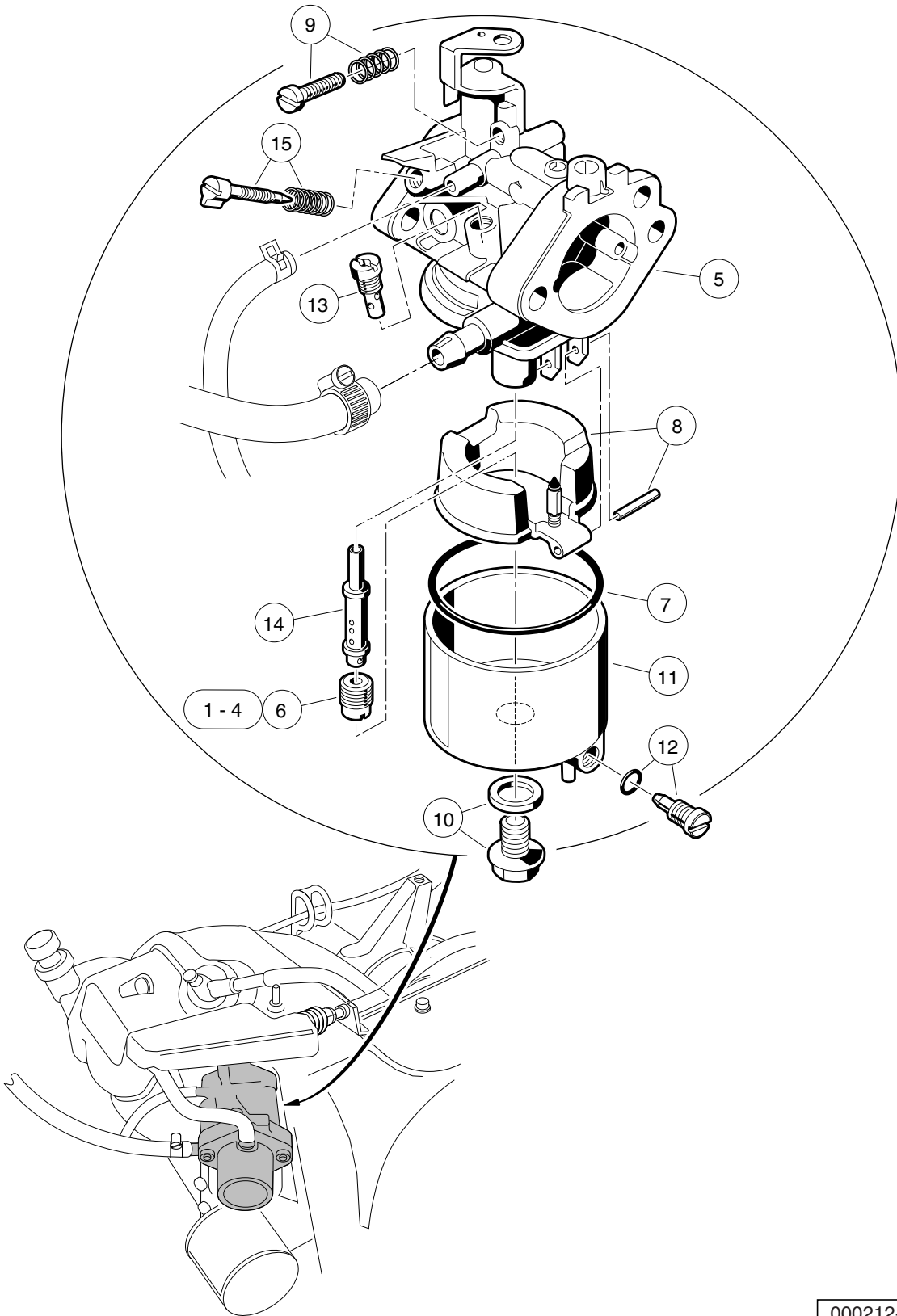


000602-001

FUEL SYSTEM

10
G

ITEM	PART NO.	DESCRIPTION	QTY
		1 2 3 4	
1	N/A	Instl, Fuel Sys, Side Fill,ca1 (includes items 2 through 26)	1
2	1012285	Screw, 1/4 X 0.625 Hex-Head	4
3	1013687	Clamp, 3/8" Hose (screw type)	1
4	1013746	Clamp, 0.301 ID Hose	3
5	1014116	Nut, 1/4-20 Speed	1
6	1015137	Fuel Line (available by the foot)	1
7	101824401	Vent Barb	1
8	101929501	Mount Fuel Pump	1
9	N/A	Asm, Fuel Filter 14.93" J1737 (includes items 10 through 13)	1
10	1012649	Clamp, 0.460 Red Hose	4
11	102003201	Filter, Fuel, 30 Micron	1
12	N/A	Cap, Plug, Plastic	2
13	102865101	Fuel Line	1
14	N/A	Asm, Fuel Filter 16.93" J1737 (includes items 15 through 18)	1
15	1012649	Clamp, 0.460 Red Hose	3
16	102003201	Filter, Fuel, 30 Micron	1
17	N/A	Cap, Plug, Plastic	2
18	102865101	Fuel Line	1
19	N/A	Asm, Fuel Line 16" J1737 (includes items 20 through 22)	1
20	1012649	Clamp, 0.460 Red Hose	2
21	N/A	Cap, Plug, Plastic	2
22	102865101	Fuel Line	1
23	102977901	Bezel, Fuel Fill, 5.0 Dia	1
24	102978001	Strap, Fuel Tank, Side Fill	1
25	103306301	Screw, Bhsc, 1/4-20 X 2.0	1
26	103781101	Kit, Fuel Pump Retrofit (includes items 27 and 28)	1
27	103010101	Pump, Fuel, Impulse, Fh	1
28	103781201	Instr, Fuel Pump Retrofit	1



000212-001

CARBURETOR ASSEMBLY – FE350

ITEM	PART NO.	DESCRIPTION	QTY
		1 2 3 4	
1	101642575	Jet, Altitude, # 75	1
2	101642578	Jet, Altitude, # 78	1
3	101642580	Jet, Altitude, # 80	1
4	101642582	Jet, Altitude, # 82	1
5	N/A	Carburetor, FE350D (includes items 6 through 15)	1
6	101642585	Jet, Altitude, # 85	1
7	1016437	Gasket, Carburetor Bowl OHV	1
8	1016486	Float Assembly	1
9	1016501	Screw Assembly	1
10	1016585	Bolt	1
11	1017461	Chamber Assembly, Float (includes item 12)	1
12	1016499	Screw Assembly	1
13	101973101	Jet, #40 Pilot	1
14	101973301	Nozzle, Main	1
15	N/A	Assembly, Pilot Air Screw	1
<p style="margin: 0;">Note: 101642585 for 0 - 3,000 feet; 101642582 for 3,000 - 5,000 feet; 101642580 for 5,000 - 8,000 feet; 101642578 for 8,000 - 10,000 feet; 101642575 for 10,000 feet and higher.</p>			

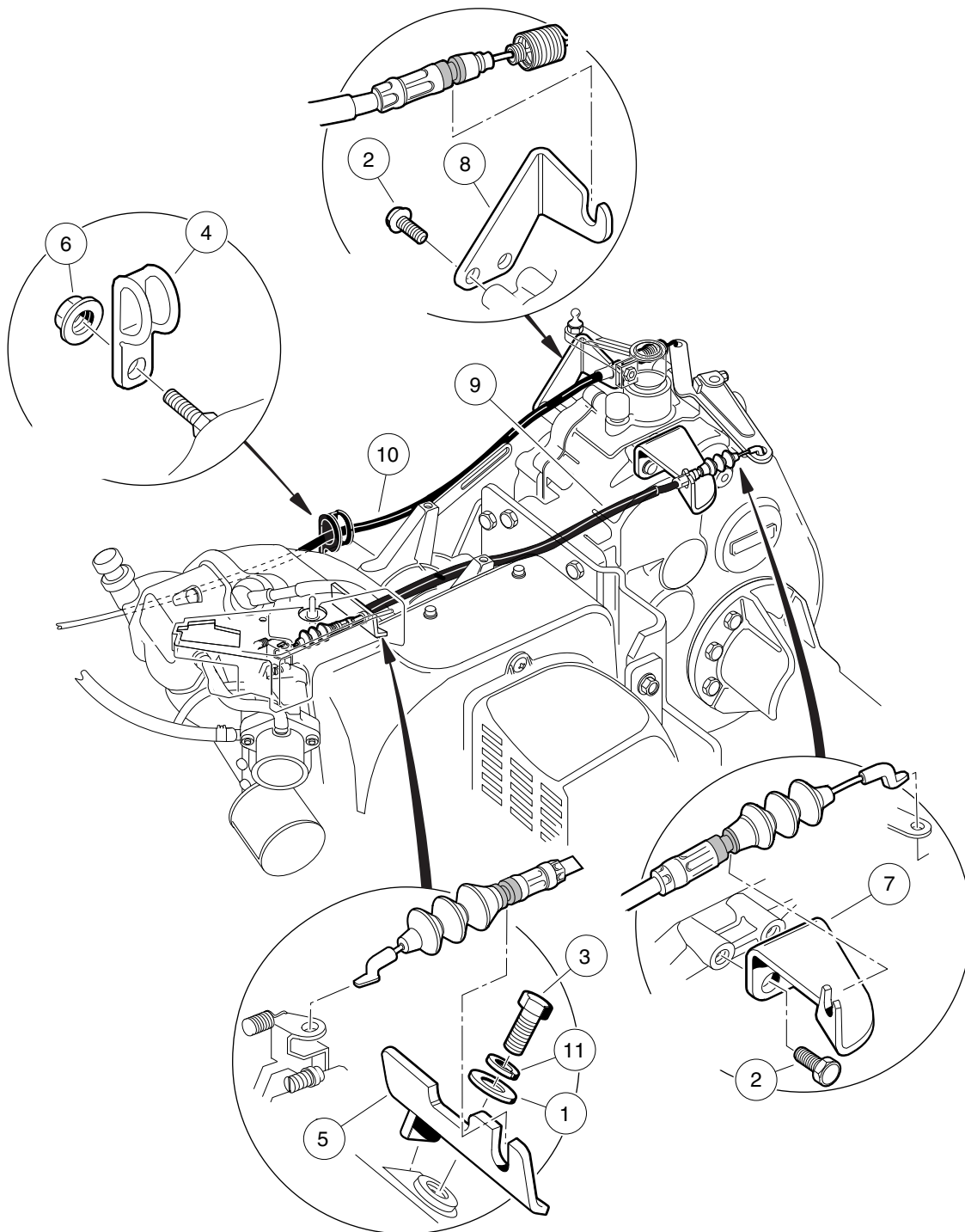
10

G

CARBURETOR INSTALLATION – FE350

ITEM	PART NO.	DESCRIPTION	QTY
		1 2 3 4	
1	1013746	Clamp, 0.301 ID Hose	1
2	1015137	Fuel Line (available by the foot)	1
3	1016438	Gasket, Carb To Intake Manifold	1
4	1016440	Gasket, Engine to Insulator	1
5	1016441	Gasket, Sprg Brkt To Carb OHV	1
6	1016444	Bracket, Throttle Spring Return	1
7	1016480	Pipe, Intake Manifold	1
8	101648102	Insulator, Carburetor	1
9	101649002	Stud, M6-1.00 Two-Ended	2
10	1016547	Nut, M6 Flange	2
11	1016572	Tube, Crankcase Vent	1
12	1016582	Spring, Throttle Return	1
13	1017466	Clamp	2
14	101973401	Gasket, Insulator To Bracket	1

10
G

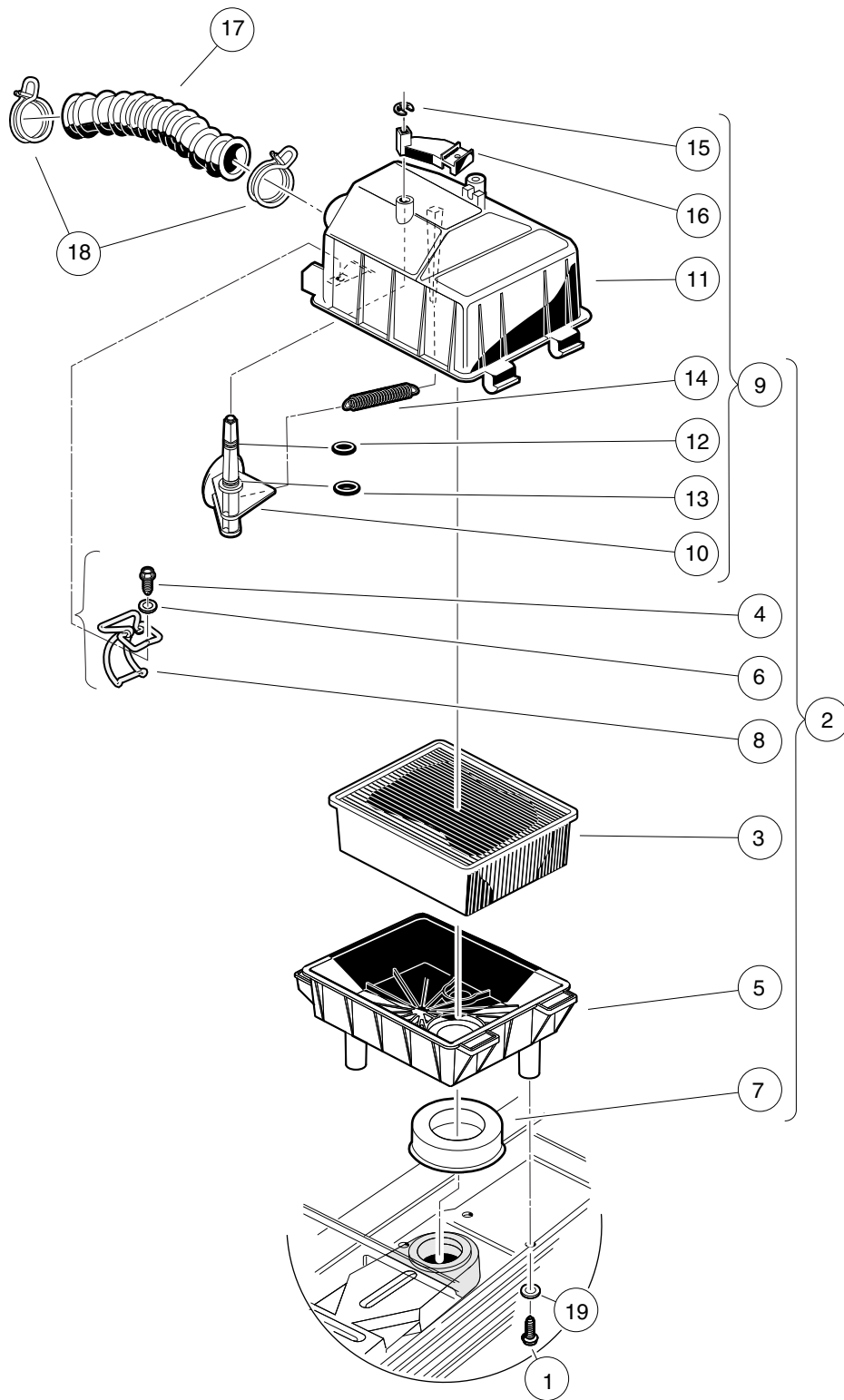


000215-001

GOVERNOR AND ACCELERATOR CABLES

ITEM	PART NO.	DESCRIPTION	QTY
		1 2 3 4	
1	1011697	Washer, 5/16 Flat	1
2	1012285	Screw, 1/4 X 0.625 Hex-Head	4
3	1012830	Screw, M8-125 X 22 Hex-Head	1
4	1013700	Clamp	2
5	101584502	Bracket, Governor Cable Snap-In	1
6	1016546	Nut	2
7	101832202	Bracket, Rear Governor Cable Snap-In	1
8	101832302	Bracket, Rear Accelerator Cable Snap-In	1
9	102336001	Cable, Governor, Snap-In	1
10	102336101	Cable, Accelerator, Snap-In	1
11	7174	Lockwasher, 5/16 Split	1

10
G



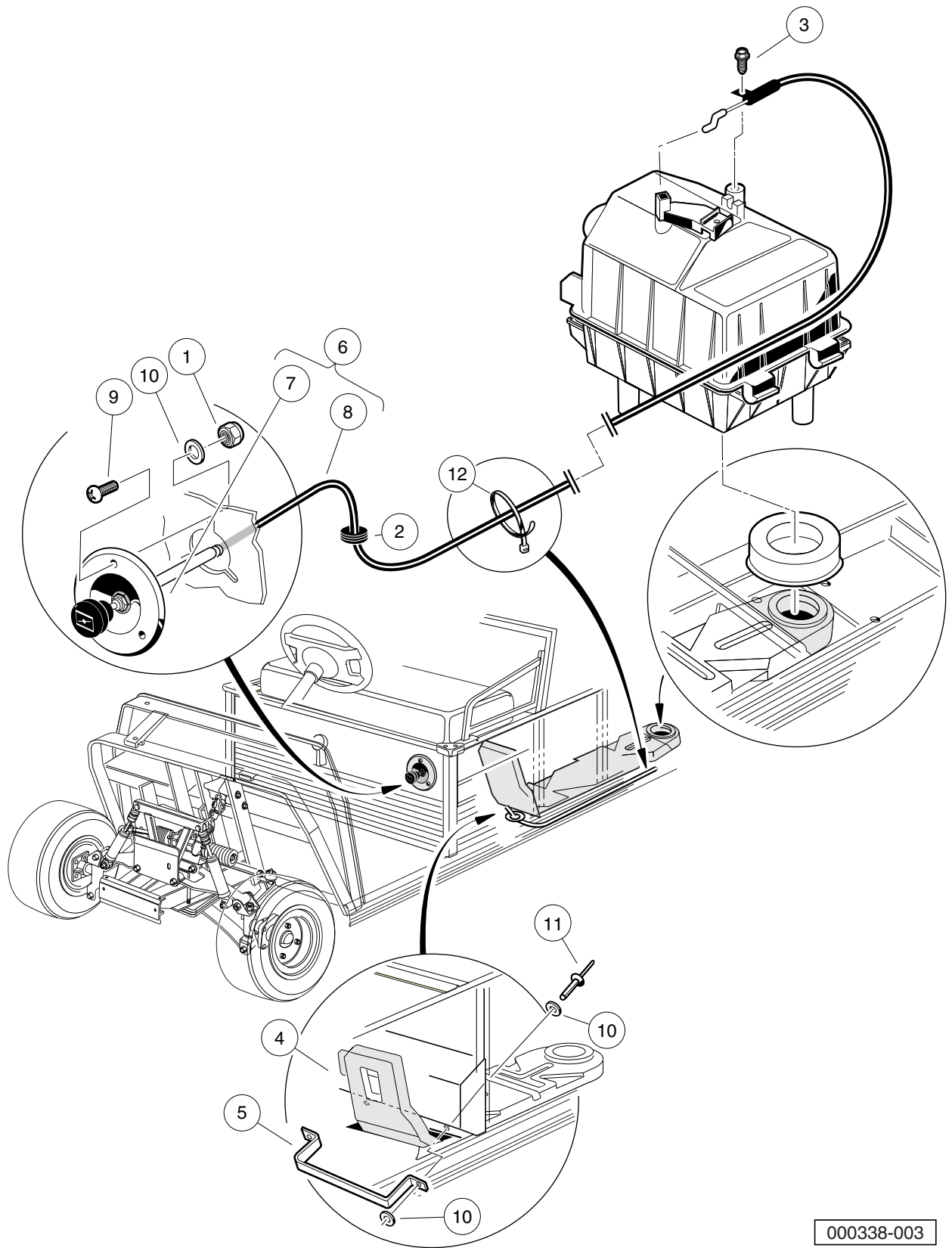
000332-001

AIR BOX AND INTAKE HOSE

ITEM	PART NO.	DESCRIPTION	QTY
		1 2 3 4	
1	1015752	Screw, #12-16 X 0.625 Hi-Lo	3
2	101821501	Assembly, Air Box (includes items 3 through 9)	1
3	1015426	Filter, Air	1
4	101804301	Screw, #8 X 0.500, Hex-Head Hi-Lo	2
5	101811901	Bottom, Air Box	1
6	101881701	Washer, #8 Stainless-Steel Flat	2
7	101921501	Seal, Intake	1
8	101925701	Latch, Wireform	2
9	101972801	Top Assy, Air Box (includes items 10 through 16)	1
10	N/A	Valve, Choke	1
11	N/A	Top, Air Box	1
12	N/A	O-Ring, 5/16	1
13	N/A	O-Ring, 3/8	1
14	101812301	Spring, Extension Return	1
15	101813001	Retaining Ring 0.25, Shaft	1
16	101917601	Lever, Choke	1
17	101837101	Hose, Air Intake	1
18	101971301	Clamp, 1.58" ID Hose	2
19	332	Washer, 1/4 Type A Narrow Flat	3

10

G

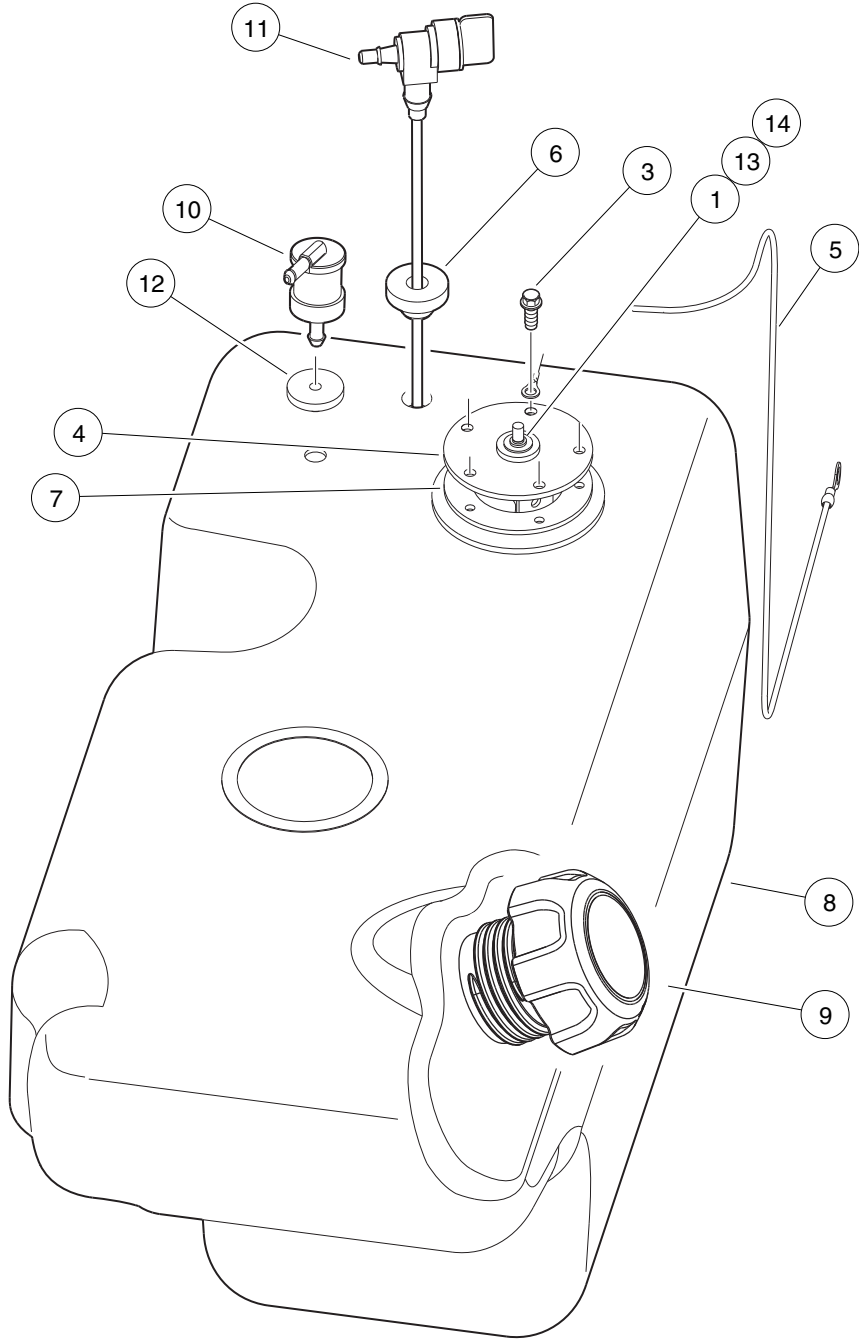


000338-003

INTAKE SYSTEM – TURF/CARRYALL 6

ITEM	PART NO.	DESCRIPTION	QTY
		1 2 3 4	
1	1012438	Locknut, #10-24 Nylon Insert	3
2	1015139	Insulation Grommet	1
3	101804301	Screw, #8 X 0.500, Hex-Head Hi-Lo	1
4	101811301	Duct, Intake	1
5	101825701	Retaining Bracket	1
6	101926802	Cable, Choke (includes items 7 and 8)	1
7	101933701	Bezel, Choke Cable	1
8	N/A	Choke Cable without Bezel, Long	1
9	1631	Screw, #10-24 X 0.75 Phillips Pan-Head	3
10	183	Washer, #10 Type A Flat	7
11	7973	Rivet, 3/16 X .400 Blind	2
12	8639	Tie Wrap, 11" Nylon	2

10
G

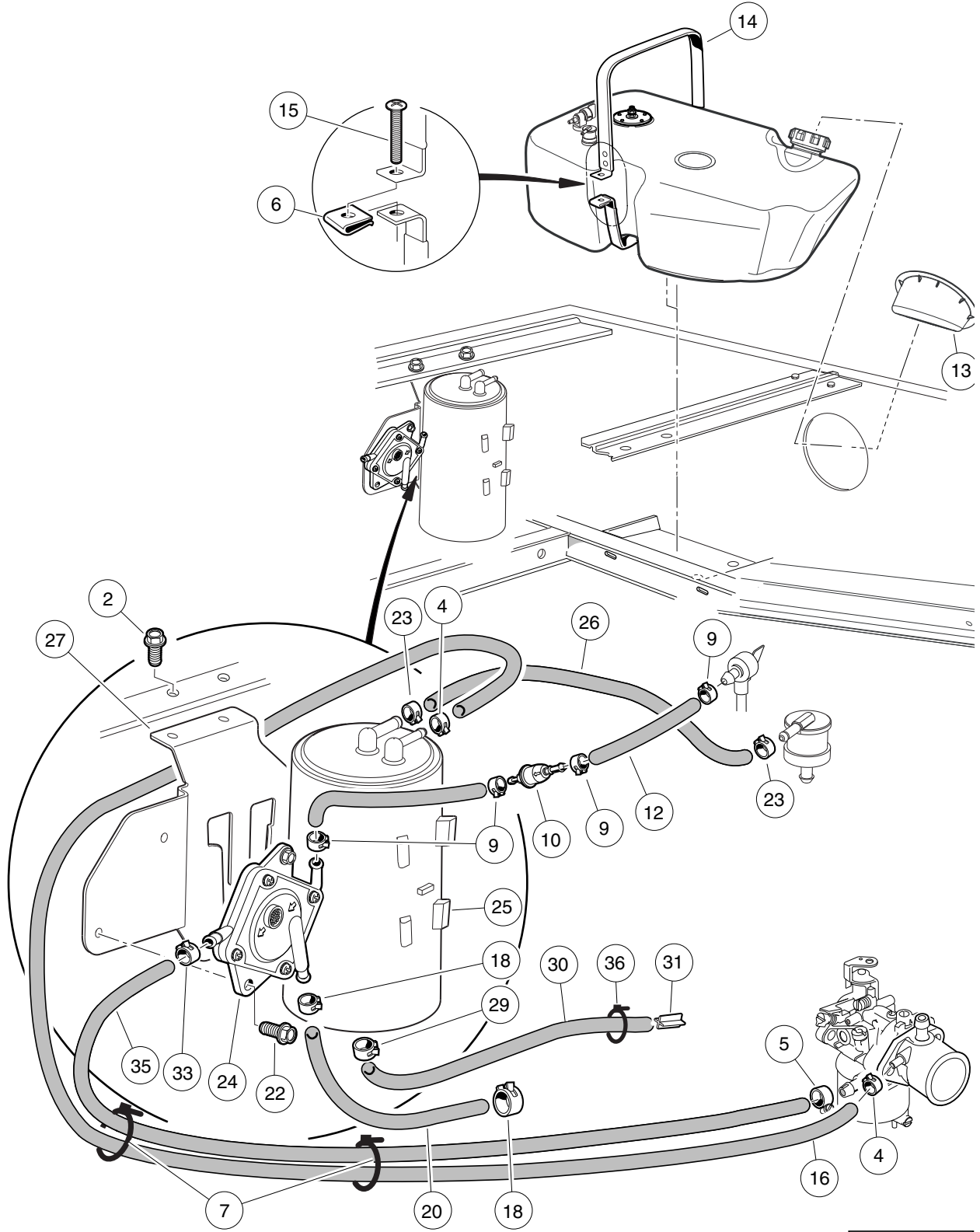


000609-002

FUEL TANK (CALIFORNIA) WITH SENDING UNIT

ITEM	PART NO.	DESCRIPTION	QTY
		1 2 3 4	
1	1016	Lockwasher, #10 Split	1
2	N/A	Asm, Fuel Tank,side Fill,nano (includes items 3 through 12)	1
3	1013461	Screw, #10-16 Hex-Head Hi-Lo	5
4	1013462	Sending Unit, Fuel Level *	1
5	N/A	Wire Assembly #16 Black	1
6	102406701	Bushing, Line, Return	1
7	102522001	Gasket, Rubber	1
8	N/A	Tank, Fuel,side Fill,nano	1
9	103372101	Cap, Fuel Tank, Gas, Ratchet	1
10	103372201	Vent, Fuel Tank, W/ Valve	1
11	103372301	Valve, Fuel, 259mm	1
12	103374701	Grommet, Fuel Tank Vent	1
13	183	Washer, #10 Type A Flat	1
14	8797	Nut, #10-32 Brass Hex	1
		* Note: Must replace fuel sending unit gasket when servicing this component.	

10
G



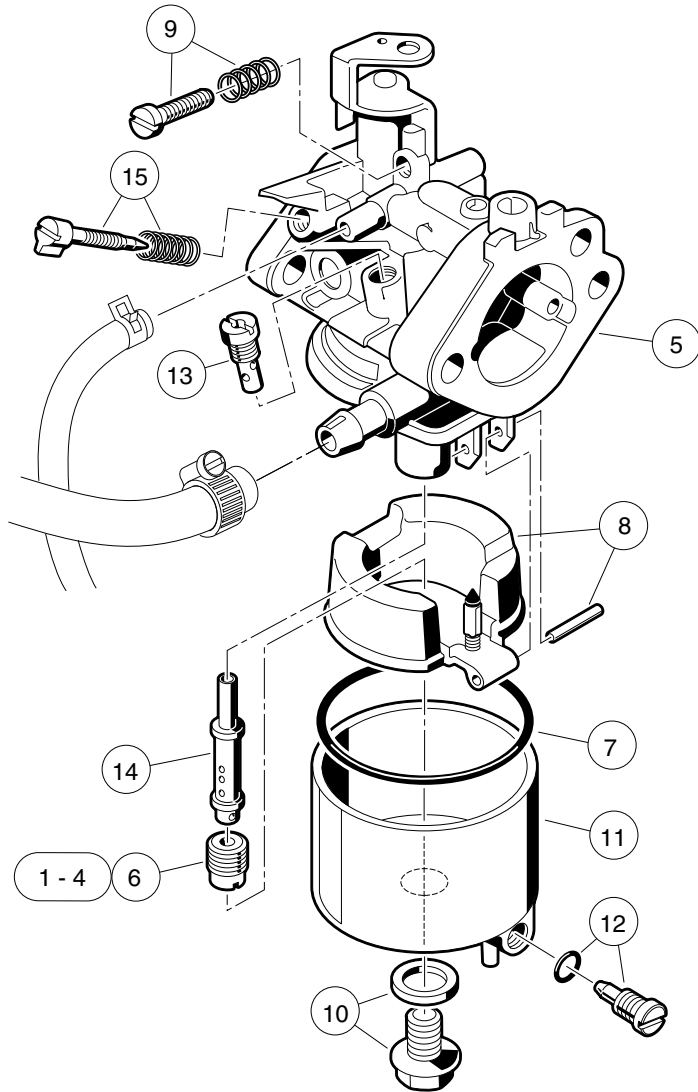
000917-002

FUEL SYSTEM

10

G

ITEM	PART NO.	DESCRIPTION	QTY
		1 2 3 4	
1	N/A	Instl, Fuel Sys, Ca1, Carb (includes items 2 through 34)	1
2	1012285	Screw, 1/4 X 0.625 Hex-Head	2
3	101313402	Clamp, Green Hose	2
4	1013687	Clamp, 3/8" Hose (screw type)	1
5	1014116	Nut, 1/4-20 Speed	1
6	101987701	Clamp, Plastic Tie	2
7	N/A	Asm, Fuel Filter 14.93" J1737 (includes items 8 through 11)	1
8	1012649	Clamp, 0.460 Red Hose	4
9	102003201	Filter, Fuel, 30 Micron	1
10	N/A	Cap, Plug, Plastic	2
11	102865101	Fuel Line	1
12	N/A	Asm, Fuel Line 16" J1737 (includes items 13 through 15)	1
13	1012649	Clamp, 0.460 Red Hose	2
14	N/A	Cap, Plug, Plastic	2
15	102865101	Fuel Line	1
16	102977901	Bezel, Fuel Fill, 5.0 Dia	1
17	102978001	Strap, Fuel Tank, Side Fill	1
18	103306301	Screw, Bhsc, 1/4-20 X 2.0	1
19	103372601	Hose, Vent, 3/16" X 28"	1
20	N/A	Asm, Fuel Line 17" J1737 (includes items 21 through 23)	1
21	1012649	Clamp, 0.460 Red Hose	1
22	N/A	Cap, Plug, Plastic	2
23	102865101	Fuel Line	1
24	103721101	Asm, Carbon Canister, Ca6 (includes items 25 through 31)	1
25	101313402	Clamp, Green Hose	1
26	1013746	Clamp, 0.301 ID Hose	2
27	N/A	Hose, Fuel, Vent, 40" Long	1
28	103372401	Canister, Carbon, Fuel Tank	1
29	103452002	Brkt, Mtg, Carb Can, Style B	1
30	103452101	Hose, Vent, Carbon Canister	1
31	103756401	Asm, Vent Line, Evap Canister (includes items 32 and 33)	1
32	N/A	Hose, Vent, 5/16 Id Bulk	1
33	103439701	Vent, Barb, 5/16 Dia Hose	1
34	8639	Tie Wrap, 11" Nylon	1
		Note: Total fuel line length: 47 inches (119.4 cm)	



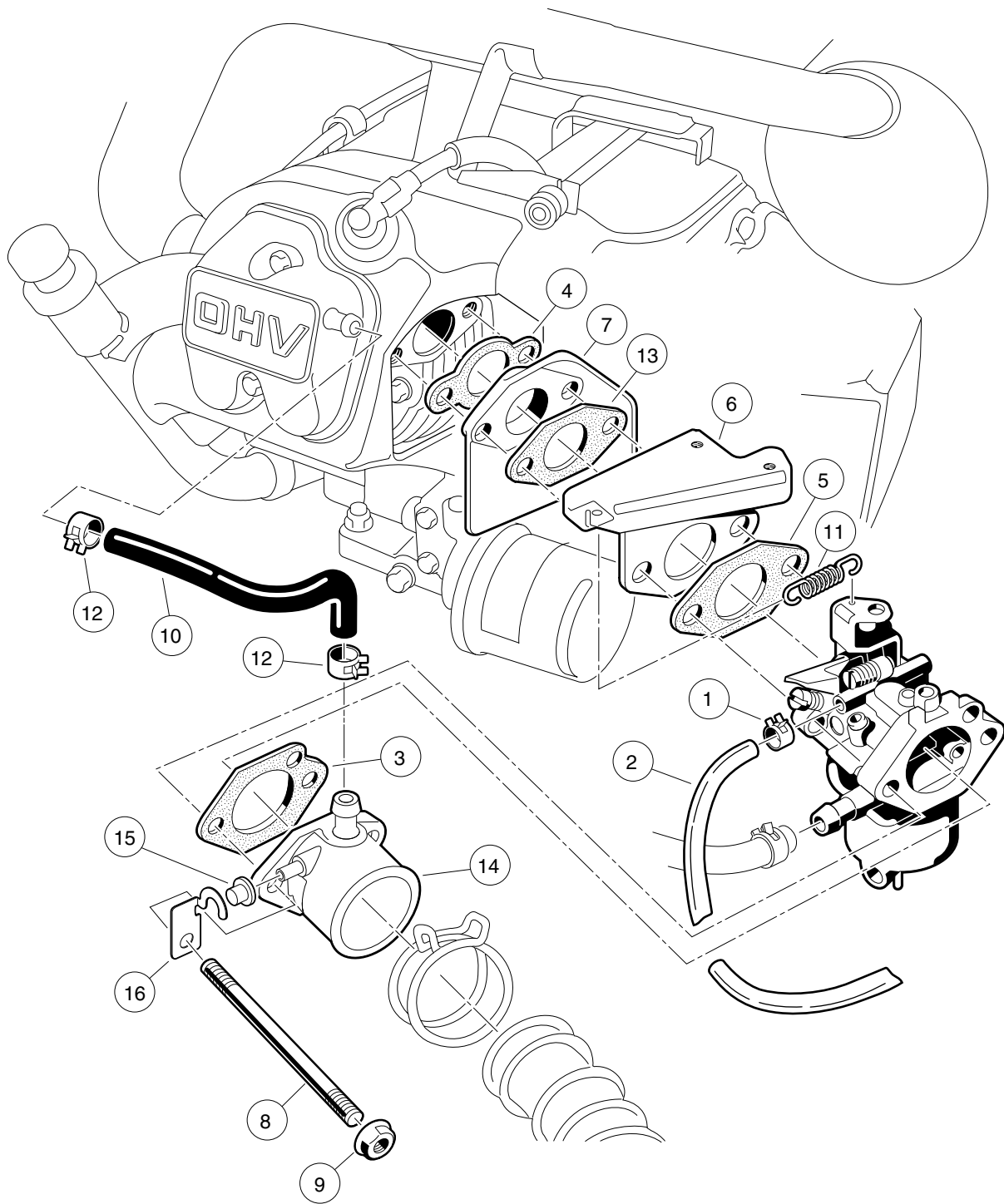
000212-002

CARBURETOR ASSEMBLY – FE350 S26

ITEM	PART NO.	DESCRIPTION	QTY
		1 2 3 4	
1	101642575	Jet, Altitude, # 75	1
2	101642578	Jet, Altitude, # 78	1
3	101642580	Jet, Altitude, # 80	1
4	101642582	Jet, Altitude, # 82	1
5	103616901	Carburetor Fe350 Precedent	1
<p style="margin-left: 40px;">Note: 101642582 for 0 - 3,200 feet; 101642580 for 3,200 - 6,500 feet; 101642578 for 6,500 - 9,800 feet; 101642576 for 9,800 feet and higher.</p>			

10

G



000214-002

CARBURETOR INSTALLATION – FE350 S27

ITEM	PART NO.	DESCRIPTION	QTY
		1 2 3 4	
1	1013746	Clamp, 0.301 ID Hose	1
2	1015137	Fuel Line (available by the foot)	1
3	1016438	Gasket, Carb To Intake Manifold	1
4	1016440	Gasket, Engine to Insulator	1
5	1016441	Gasket, Sprg Brkt To Carb OHV	1
6	1016444	Bracket, Throttle Spring Return	1
7	101648102	Insulator, Carburetor	1
8	101649002	Stud, M6-1.00 Two-Ended	2
9	1016547	Nut, M6 Flange	2
10	1016572	Tube, Crankcase Vent	1
11	1016582	Spring, Throttle Return	1
12	1017466	Clamp	2
13	101973401	Gasket, Insulator To Bracket	1
14	103507101	Carburetor Adapter w/ Tap	1
15	103507201	Plug, Intake Manifold, Carb	1
16	103507301	Bracket, Intake Manifold, Carb	1

10
G

10

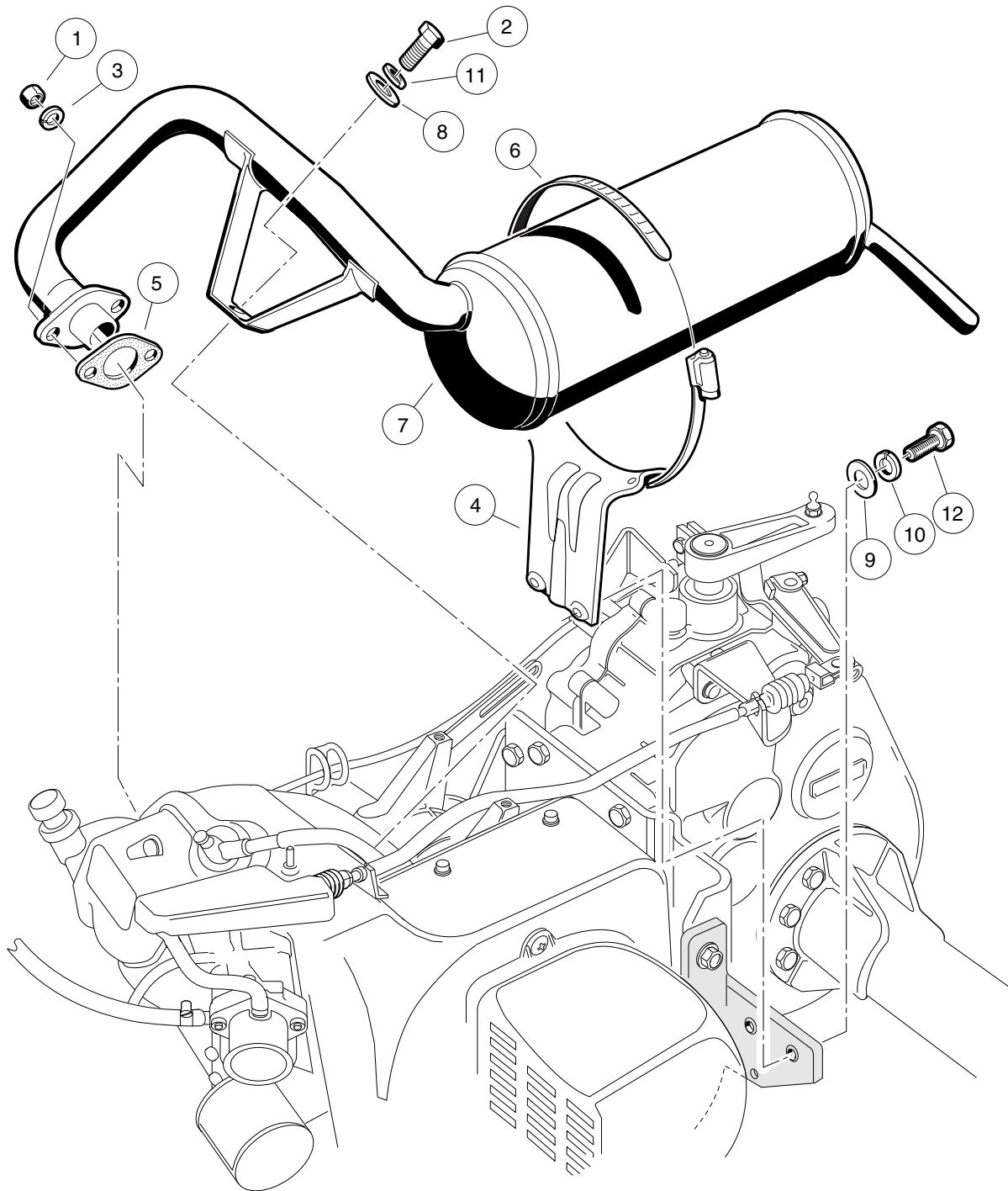
G

EXHAUST SYSTEM

11

G

11
G



000209-001

EXHAUST SYSTEM – FE350 ENGINE

ITEM	PART NO.	DESCRIPTION	QTY
		1 2 3 4	
1	1012528	Nut, M8-1.25 Hex	2
2	1012830	Screw, M8-125 X 22 Hex-Head	1
3	1013734	Lockwasher, 8mm Split	2
4	1015814	Bracket, Muffler Mounting	1
5	1016904	Gasket, Exhaust	1
6	1017689	Clamp, 5" Muffler Hose	1
7	101859401	Exhaust System, FE350	1
8	1241	Washer, 5/16 Type A Flat	1
9	332	Washer, 1/4 Type A Narrow Flat	2
10	451	Lockwasher, 1/4 Split	2
11	7174	Lockwasher, 5/16 Split	1
12	7847	Screw, 1/4-20 X 0.75 Hex-Head Cap	2

11
G

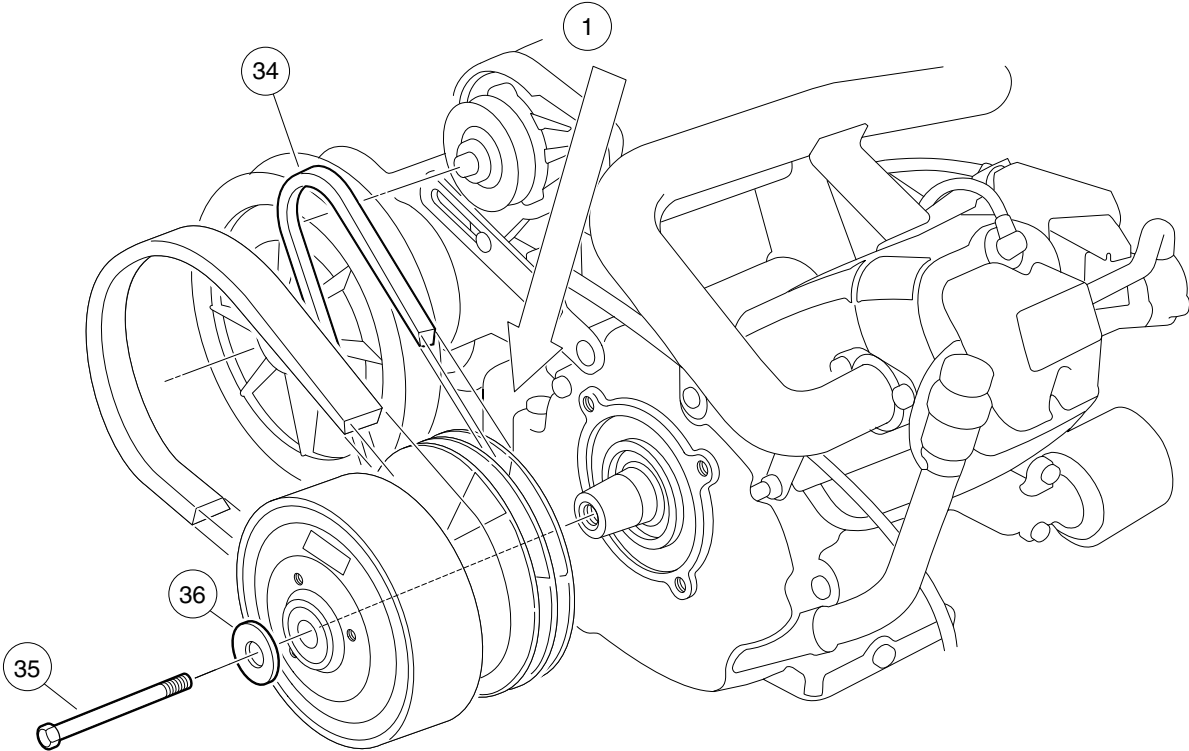
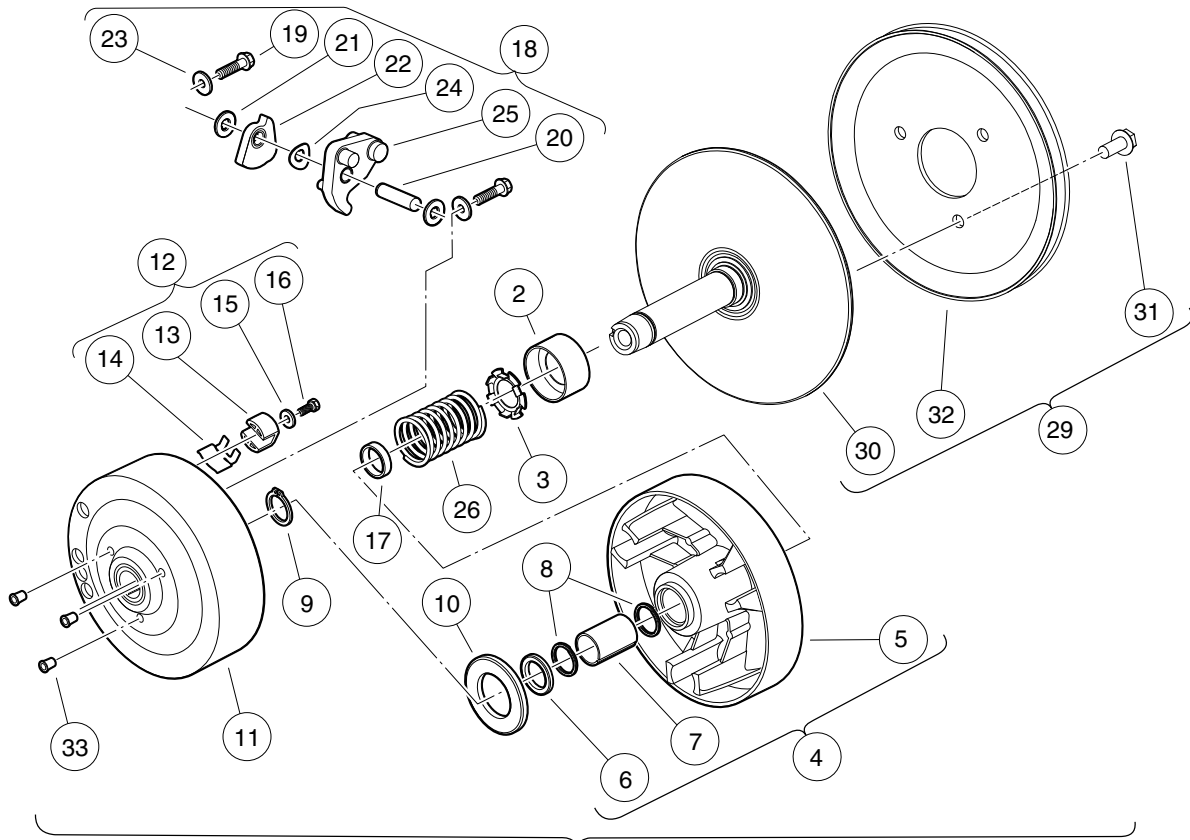
11

G

TORQUE CONVERTER

12

G



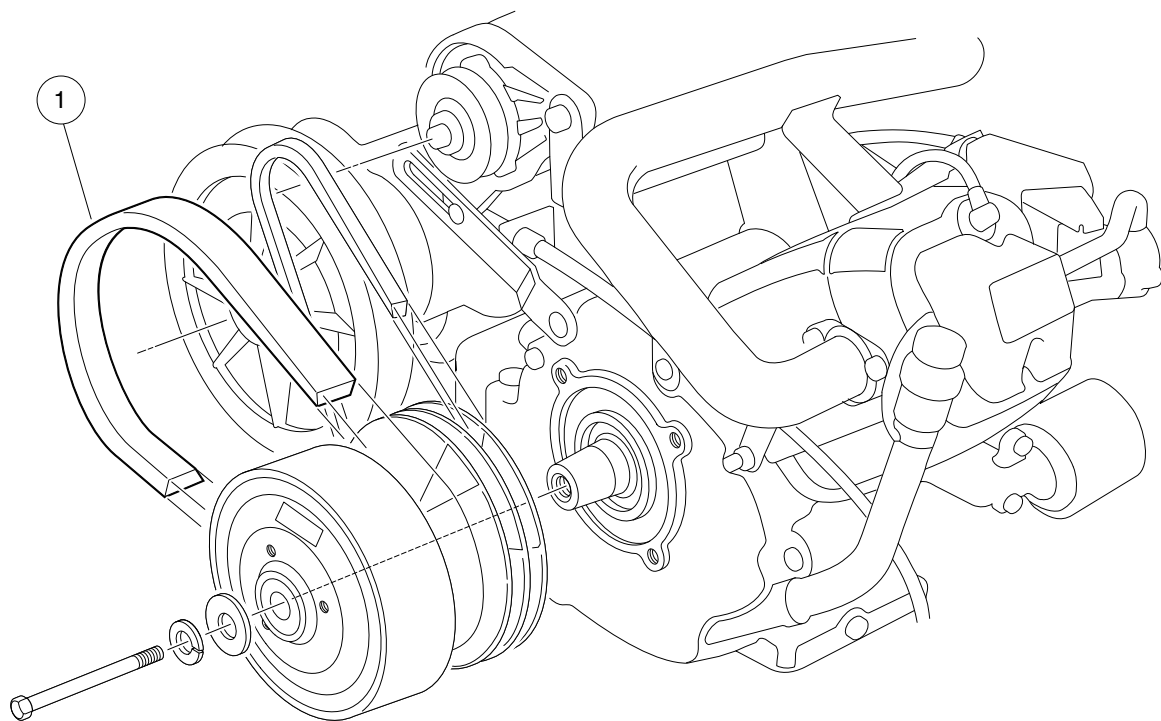
000217-002

DRIVE CLUTCH

12

G

ITEM	PART NO.	DESCRIPTION	QTY
		1 2 3 4	
1	101833904	Assembly, Drive Clutch (includes items 2 through 33)	1
2	1014049	Bearing, Idler	1
3	1014050	Retainer, Spring	1
4	1014052	Movable-Face Assembly (includes items 5 through 7)	1
5	N/A	Drive Clutch Movable Face	1
6	1014055	Retainer	1
7	N/A	Bushing, Split, Drive Clutch	1
8	1014056	Ring, Spiral Backup	2
9	1014057	Ring, 0.810" Internal Retaining	1
10	1014058	Thrust Washer	1
11	1014059	Drive Hub Assy, Drive Clutch	1
12	1014453	Kit, Drive Clutch Button (includes items 13 through 16)	1
13	1014062	Driver, Drive Clutch	3
14	1014287	Spring, Drive Button	3
15	183	Washer, #10 Type A Flat	3
16	8450	Screw, #10-24 X 0.50 Hex-Head	3
17	1016289	Spacer, Fixed Face Shaft	1
18	1016801	Kit, Drive Clutch Weight (includes items 19 through 25)	1
19	1014063	Screw, 1/4-20 X 1.00 Hex Head	6
20	N/A	Pin, 0.3752 X 1.50 Dowel	3
21	1014065	Washer, 0.38" ID Delrin Flat	6
22	N/A	Clutch Weight, Secondary	3
23	N/A	Washer	6
24	1016201	Washer, Wave	3
25	N/A	Weight, Primary	3
26	1016901	Spring, Drive Clutch	1
27	101738302	Kit, Fixed Face - Drive (includes items 28 and 29)	1
28	N/A	Desiccant Bag (Not Shown)	1
29	N/A	Fixed Face Drive (includes items 30 through 32)	1
30	N/A	Fixed Face Assembly, Drive Clutch	1
31	1014288	Screw, 5/16-18 X 0.75 Thread-Forming	3
32	N/A	Pulley, Drive Clutch	1
33	N/A	Cap Plug	3
34	101916701	V-Belt	1
35	103345701	Screw 3/8-24x5.5 Hex Loc Ptch	1
36	808	Washer, 3/8 Type B Flat	1
		Note: Item 28 not shown.	



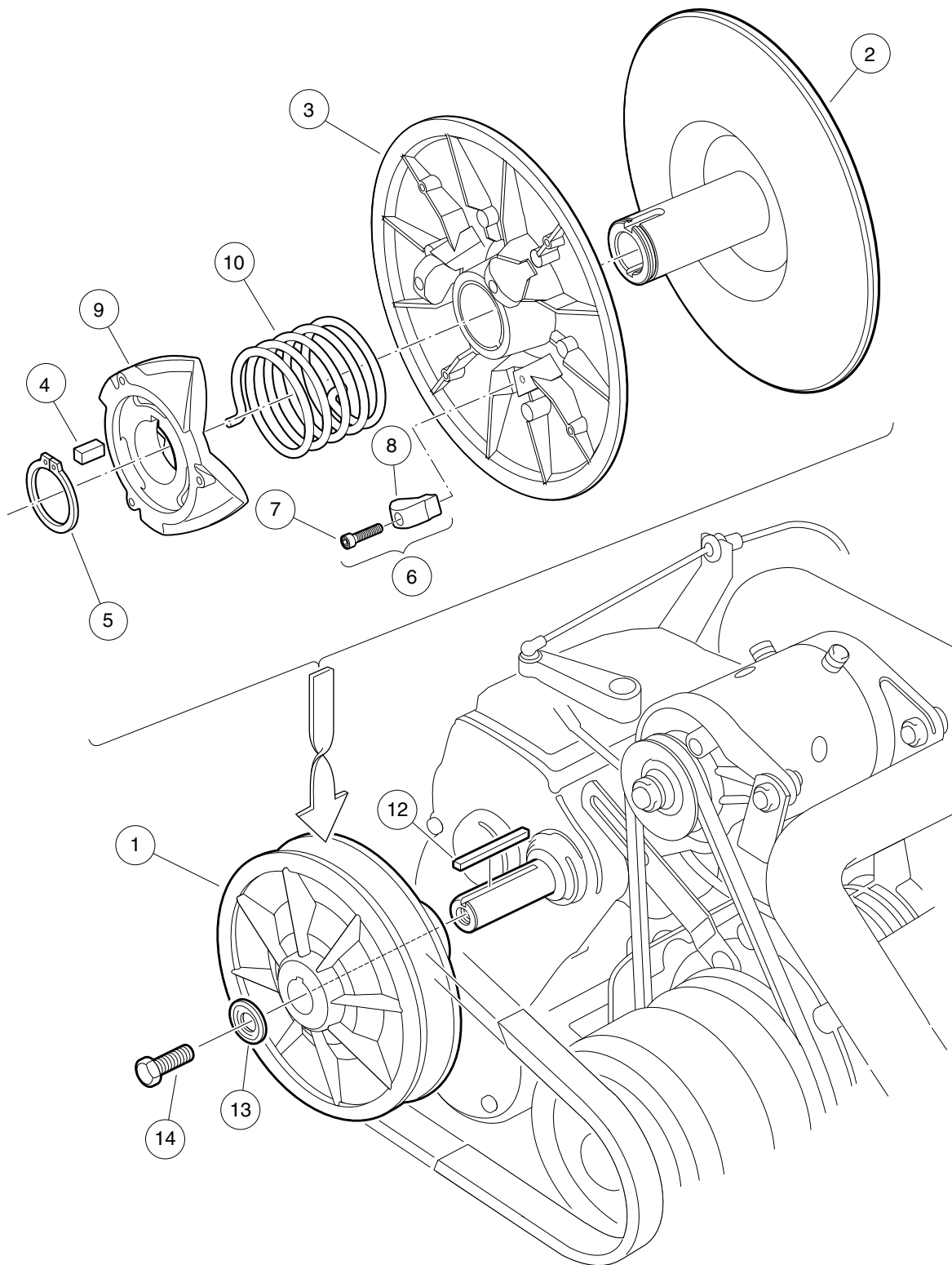
000218-001

DRIVE BELT – FE350

ITEM	PART NO.	DESCRIPTION	QTY
1	1017188	<div style="display: flex; justify-content: space-between; margin-bottom: 5px;"> 1 2 3 4 </div> Belt, Drive (FE350)	1

12

G



000219-001

DRIVEN CLUTCH

ITEM	PART NO.	DESCRIPTION	QTY
		1 2 3 4	
1	101834001	Assembly, Driven Clutch (includes items 2 through 10)	1
2	1014070	Fixed Face Assy, Driven Clutch	1
3	1014072	Movable-Face Assembly with Bushing	1
4	1014078	Key, Driven Clutch	1
5	1014080	Ring, Retaining	1
6	1014454	Kit, Driven Clutch Button (includes items 7 and 8)	1
7	1012836	Screw, #8-32 X 3/4 Socket-Head Cap	3
8	N/A	Button, Drive	3
9	1017686	Cam, Driven Clutch	1
10	101836201	Spring, Driven Clutch, Reversed	1
11	AM10419	Kit, Clutch Repair (includes items 12 through 14)	1
12	101833401	Key, 3/16 Sq X 1.50"	1
13	N/A	Washer, Driven Clutch	1
14	102242101	Screw, 5/16-18 X 3/4 Hex-Head with Patch	1

12
G

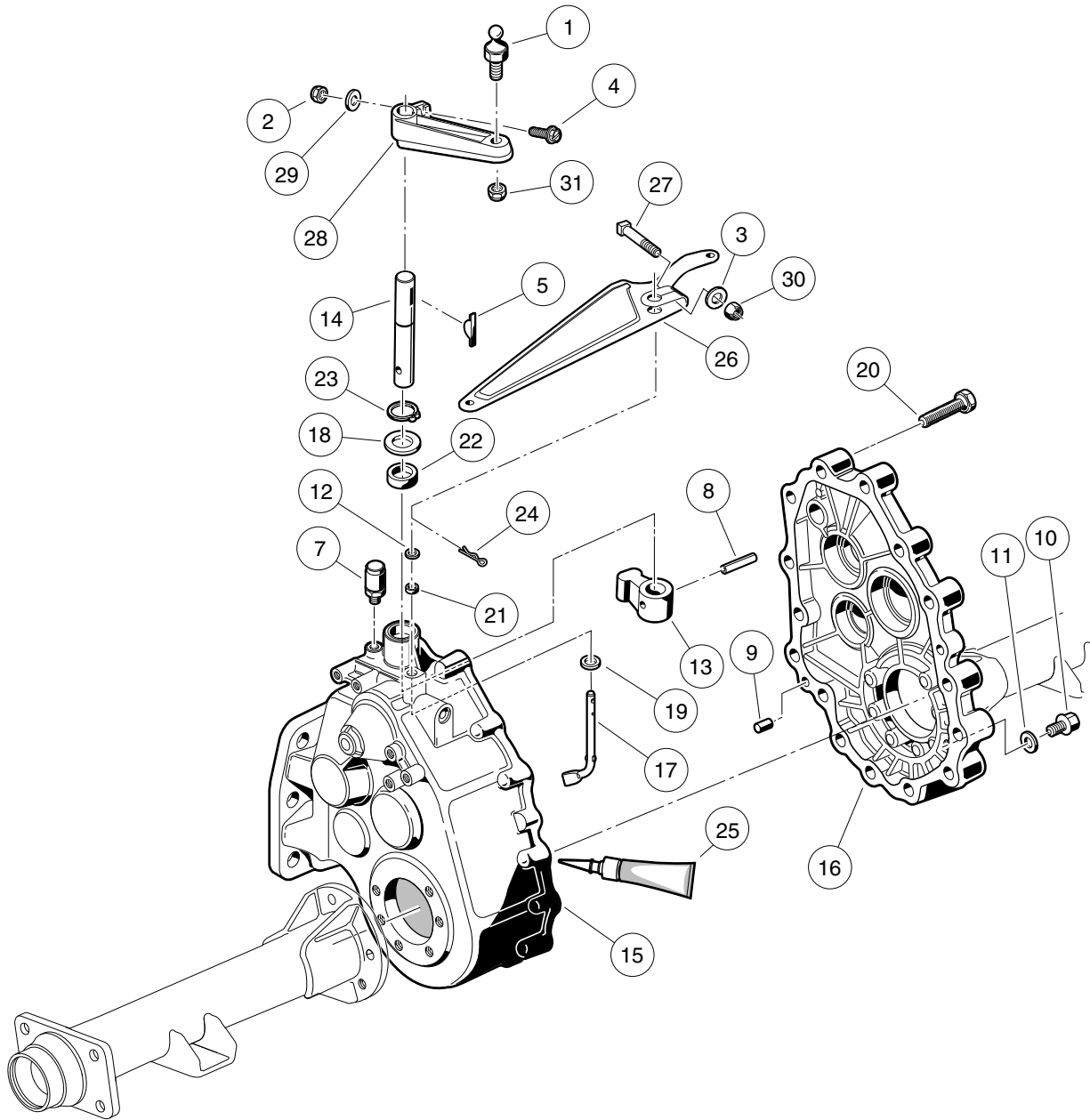
12

G

UNITIZED TRANSAXLE AND FNR SHIFTER - GASOLINE VEHICLES

13

G



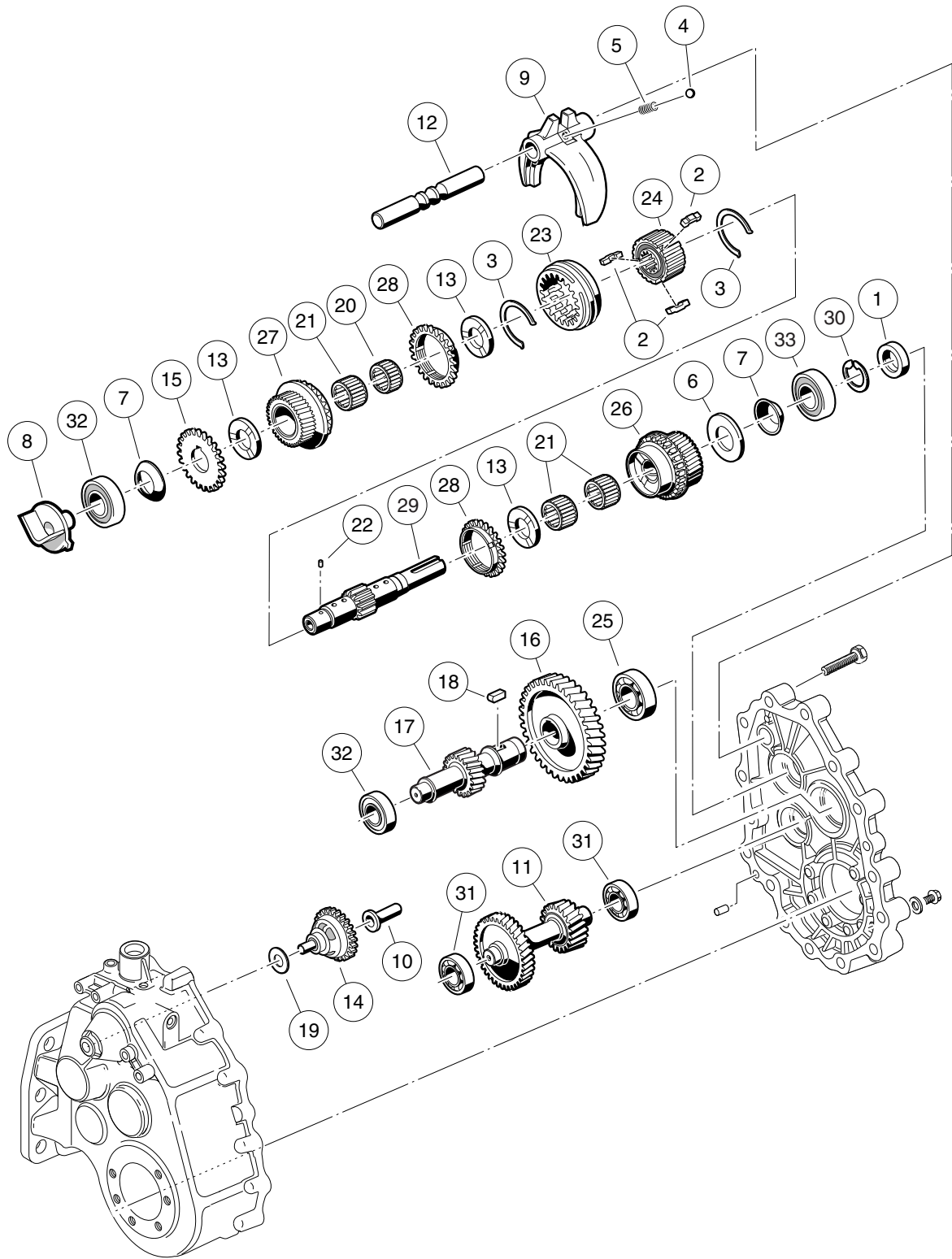
000220-004

TRANSAXLE – GASOLINE VEHICLES, GEAR CASES AND BRACKETS

ITEM	PART NO.	DESCRIPTION	QTY
		1 2 3 4	
1	1010954	Stud, 1/4-28 X 0.560 Ball	1
2	1013061	Locknut, #10-32 Nylon Insert	1
3	1014007	Washer, 1/4 Flat	1
4	1017082	Screw, #10-32 X 0.75, Hex-Head Machine	1
5	1017231	Key, Woodruff	1
6	101833601	Transaxle, 11.77 Ratio (includes items 7 through 25)	1
7	1012711	Breather	1
8	1012752	Roll Pin	1
9	1012896	Pin, Dowel	2
10	1013760	Fill Plug	2
11	1016432	Gasket, Drain Plug	1
12	1016513	Washer, M6 Flat	1
13	101890101	Lever, Change	1
14	101890201	Shaft - Change	1
15	101890501	Gear Case (driver side)	1
16	101890601	Gear Case (passenger side)	1
17	101891301	Arm Pivot	1
18	101892901	Washer	1
19	101893801	Washer	1
20	101926901	Screw, M8-1.25 X 40mm Hex-Head	15
21	101927101	Seal, Oil	1
22	101927201	Seal, Oil	1
23	101927301	Snap Ring	1
24	101928601	Pin, Cotter	1
25	101928701	Liquid Gasket (Transaxle case)	1
26	101834801	Arm, Governor	1
27	101886101	Screw, 1/4-20 X 1.00 Square-Head	1
28	102515401	Lever, Transmission Shift	1
29	183	Washer, #10 Type A Flat	1
30	8233	Locknut, 1/4-20 Nylon Insert	1
31	8717	Locknut, 1/4-28 Nylon Insert	1

13

G



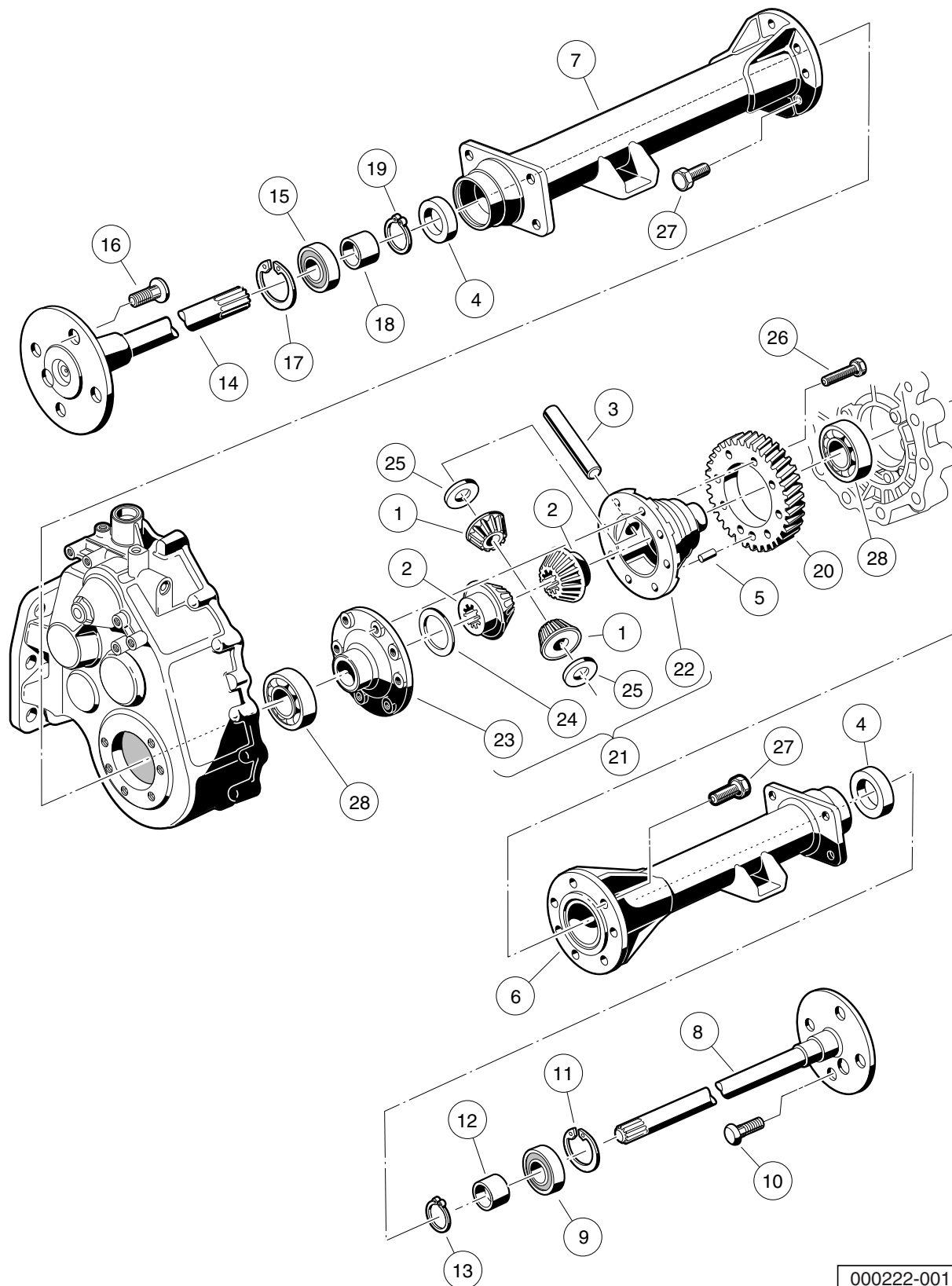
000221-001

TRANSAXLE – GASOLINE VEHICLES, TRANSMISSION AND GEAR REDUCTION

13

G

ITEM	PART NO.	DESCRIPTION	QTY
		1 2 3 4	
1	1012714	Oil Seal	1
2	1012740	Synchro Insert	3
3	1012741	Synchro Spring	2
4	1012747	Shifter Ball	1
5	1012748	Shifter Spring	1
6	1016337	Washer, Thrust	1
7	1016338	Washer, Spring	2
8	101889401	Guide	1
9	101890001	Fork - Shift	1
10	101891601	Sleeve, Governor	1
11	101891901	Gear, Cluster	1
12	101892001	Rod, Shift	1
13	101892201	Plate, Thrust	3
14	101892301	Governor Assembly	1
15	101892401	Gear, Spur	1
16	101892501	Gear, Helical (61 Tooth)	1
17	101892601	Gear, Helical (17 Tooth)	1
18	101893201	Key Sunk	1
19	101893901	Washer	1
20	101927501	Needle Bearing	1
21	101927601	Needle Bearing	3
22	101927701	Pin, .116" Dia X 0.264 Dowel	1
23	101927901	Sleeve, Synchro	1
24	101928001	Hub, Synchro Clutch	1
25	101928101	Bearing, Ball	1
26	101980801	Gear Assembly, 16-Degree Synchro (25 Tooth)	1
27	101980901	Gear Assembly, 16-Degree Rear Synchro (28 Tooth)	1
28	101981001	Ring, 16-Degree Synchronizer	2
29	102453001	Shaft, Trans, with Circlip	1
30	102453101	Circlip	1
31	7335	Bearing	2
32	AM10080	Bearing, Ball, Sealed	2
33	AM10081	Bearing, Ball, Sealed	1
<p>Note: Items listed on this page are components of the unitized transaxle.</p>			

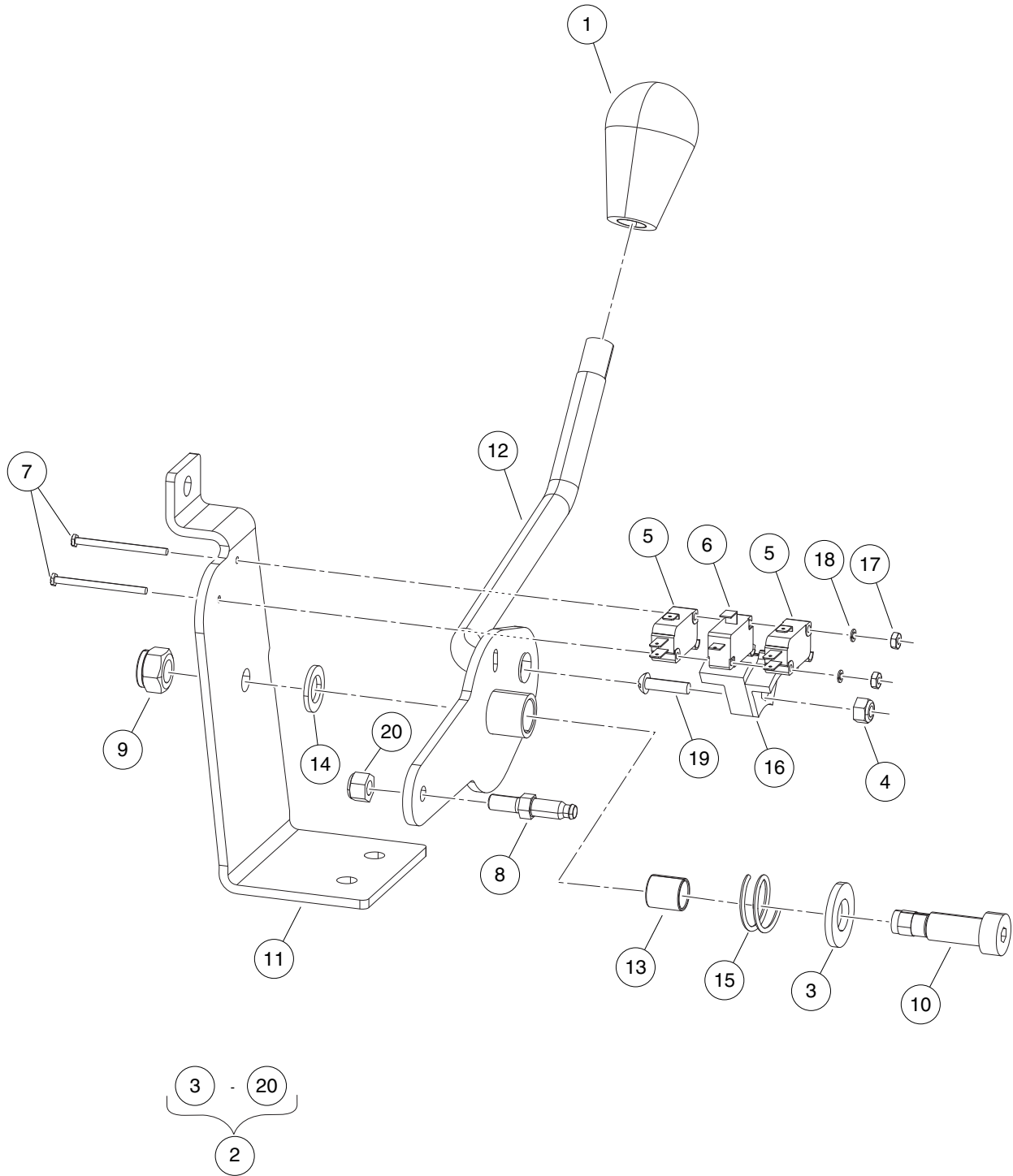


000222-001

TRANSAXLE – GASOLINE VEHICLES, DIFFERENTIAL AND AXLES

ITEM	PART NO.	DESCRIPTION	QTY
		1 2 3 4	
1	1013770	Differential Idler Gear	2
2	1013771	Gear, Differential	2
3	N/A	Pin, Differential	1
4	1013794	Axle Shaft Oil Seal	2
5	N/A	Dowel Pin	1
6	101890901	Pipe	1
7	101891001	Pipe	1
8	101891401	Axle Assembly, Passenger Side (includes items 9 through 13)	1
9	1011291	Outer Axle, Tube Bearing	1
10	1013787	Lug Stud	4
11	1013792	Circlip Type C	1
12	1014207	Bushing	1
13	1016672	Retaining Ring	1
14	101891501	Axle Assembly, Driver-Side (includes items 15 through 19)	1
15	1011291	Outer Axle, Tube Bearing	1
16	1013787	Lug Stud	4
17	1013792	Circlip Type C	1
18	1014207	Bushing	1
19	1016672	Retaining Ring	1
20	101892701	Gear, Helical	1
21	N/A	Kit, Differential Gear Case (includes items 22 through 25)	1
22	N/A	Differential Gear Case, Left-Hand	1
23	1013769	Differential Gear Case, Right-Hand	1
24	1013773	Plate, Thrust (Differential Gear)	1
25	1013774	Plate, Thrust (Idler Gear)	2
26	101928301	Screw, M8-1.25 X 35mm Hex Head	8
27	102031901	Bolt, M10 X 1.5 X 30mm	14
28	7330	Inner Axle Tube Bearing	2

13
G



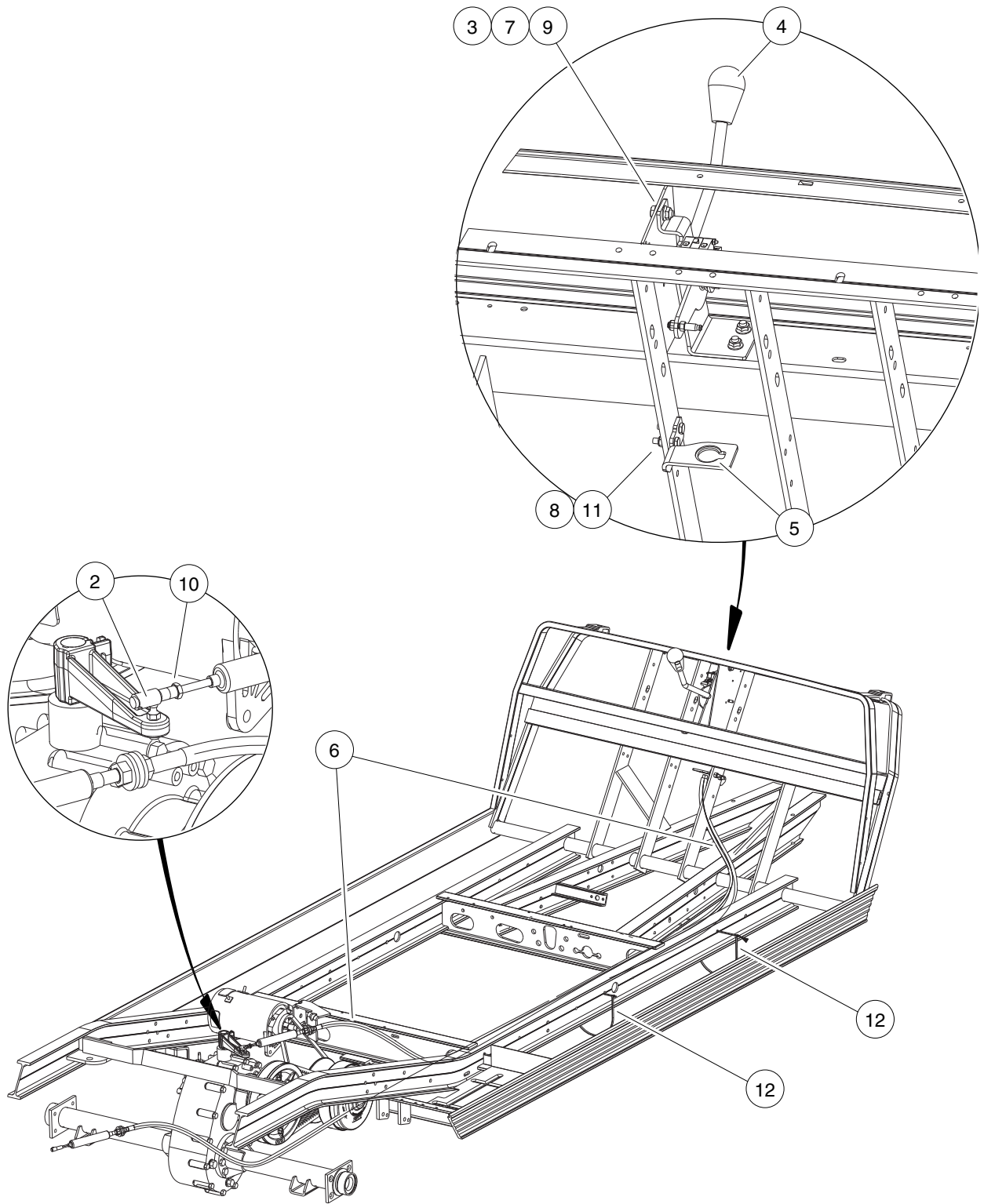
000563-001

FORWARD/REVERSE SHIFTER

ITEM	PART NO.	DESCRIPTION	QTY
		1 2 3 4	
1	102376001	Knob, Fnr	1
2	102969901	Asm, Shifter, FNR (includes items 3 through 20)	1
3	1010028	Washer, 1/2 Type A Flat	1
4	1013061	Locknut, #10-32 Nylon Insert	1
5	1014807	Switch, Limit	2
6	1014808	Switch, Limit	1
7	1015878	Screw, #4-40 Hex Head Machine	2
8	102526201	Stud, Thread, 1/4-28	1
9	102616701	Locknut, M10x1.5 Nylon Insert	1
10	102684602	Shoulder Bolt, M12 X 25.0	1
11	102969401	Bracket, Shifter, FNR	1
12	102969801	Weldment, Shift Lever, FNR	1
13	103173301	Bushing, Greaseless, 12mm Id	1
14	103177401	Washer, Thrust, Shifter, FNR	1
15	103192701	Spring, Comp, .97 Od X.75 L	1
16	103369501	Cam, Limit Switch, Fnr Shifter	1
17	8057	Nut, #4-40 Hex Machine	2
18	8058	Lockwasher, #4 Split	2
19	8104	Screw, #10-32 X .75 Rd Hd Mach	1
20	8717	Locknut, 1/4-28 Nylon Insert	1

13

G



000573-003

FORWARD/REVERSE SHIFTER CABLE

ITEM	PART NO.	DESCRIPTION	QTY
		1 2 3 4	
1	N/A	Installation, Shifter, FNR (includes items 2 through 12)	1
2	1012333	Joint, #10-32 Ball	1
3	101963401	Locknut, 5/16-18 Hex Flange	3
4	102376001	Knob, Fnr	1
5	103295101	Brkt, Spt, Cable End, Fnr	1
6	103295203	Cable, Transmission, 2385mm	1
7	1241	Washer, 5/16 Type A Flat	3
8	304	Screw, 1/4-20 X 1.0 Hex-Head Cap	2
9	7173	Screw, 5/16-18 X 0.75 Hex-Head Cap	3
10	7893	Nut, #10-32 Hex	1
11	8233	Locknut, 1/4-20 Nylon Insert	2
12	8639	Tie Wrap, 11" Nylon	2

13
G

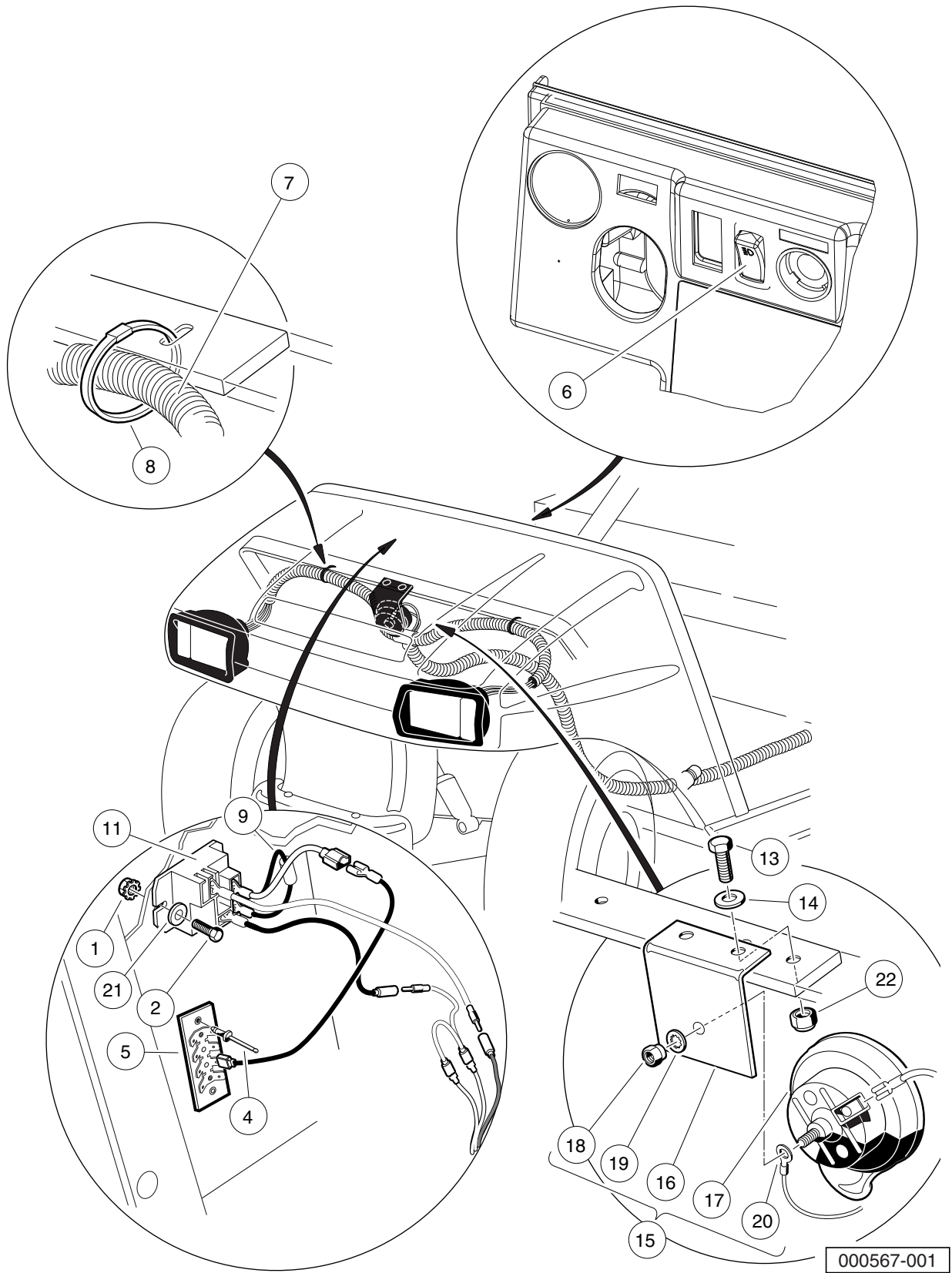
13

G

ELECTRICAL SYSTEM – ELECTRIC VEHICLES

14

E



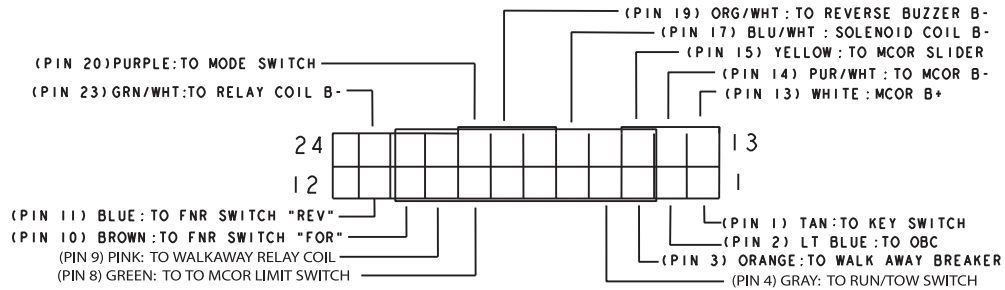
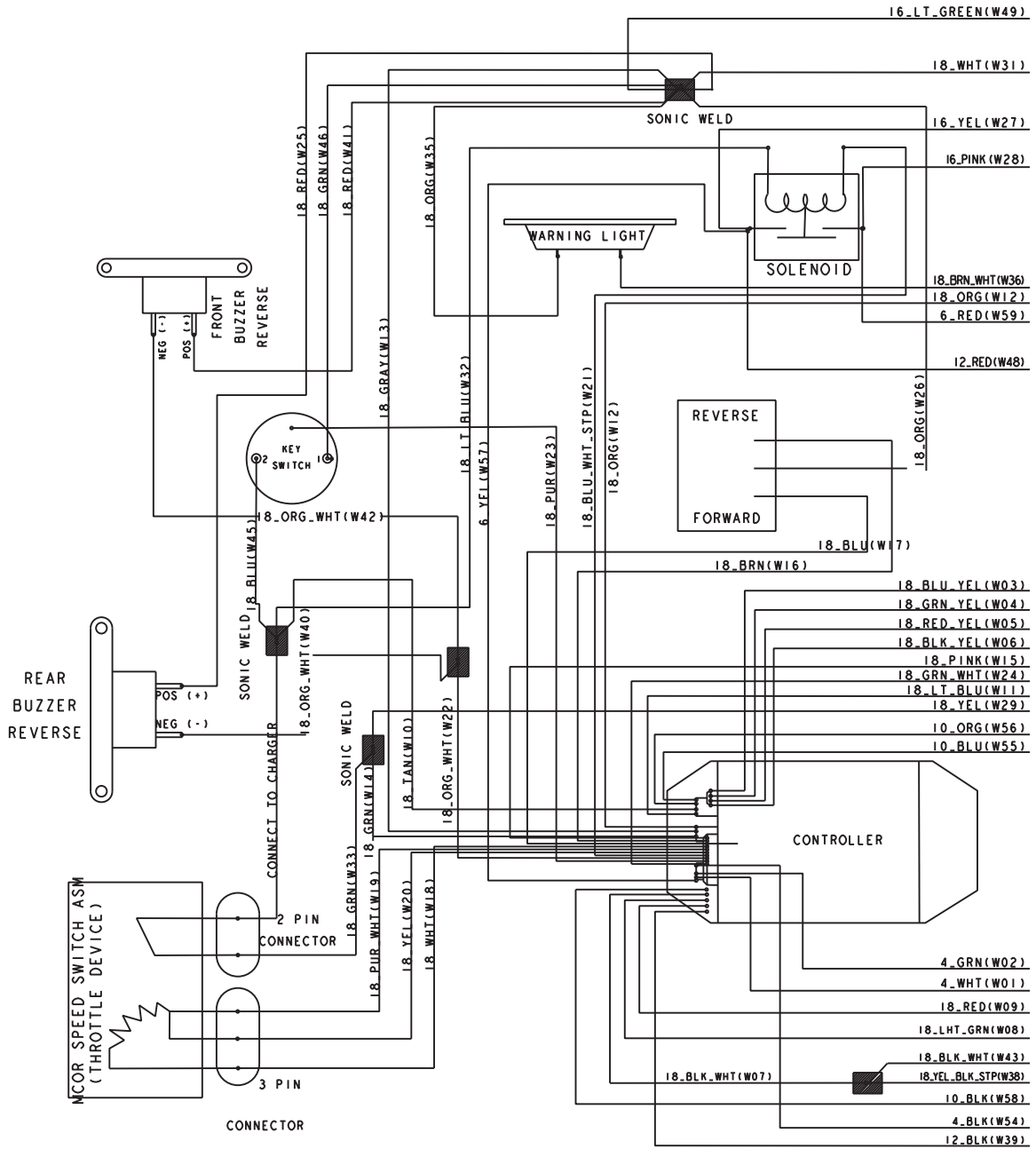
000567-001

HEADLIGHT AND HORN ELECTRICAL COMPONENTS

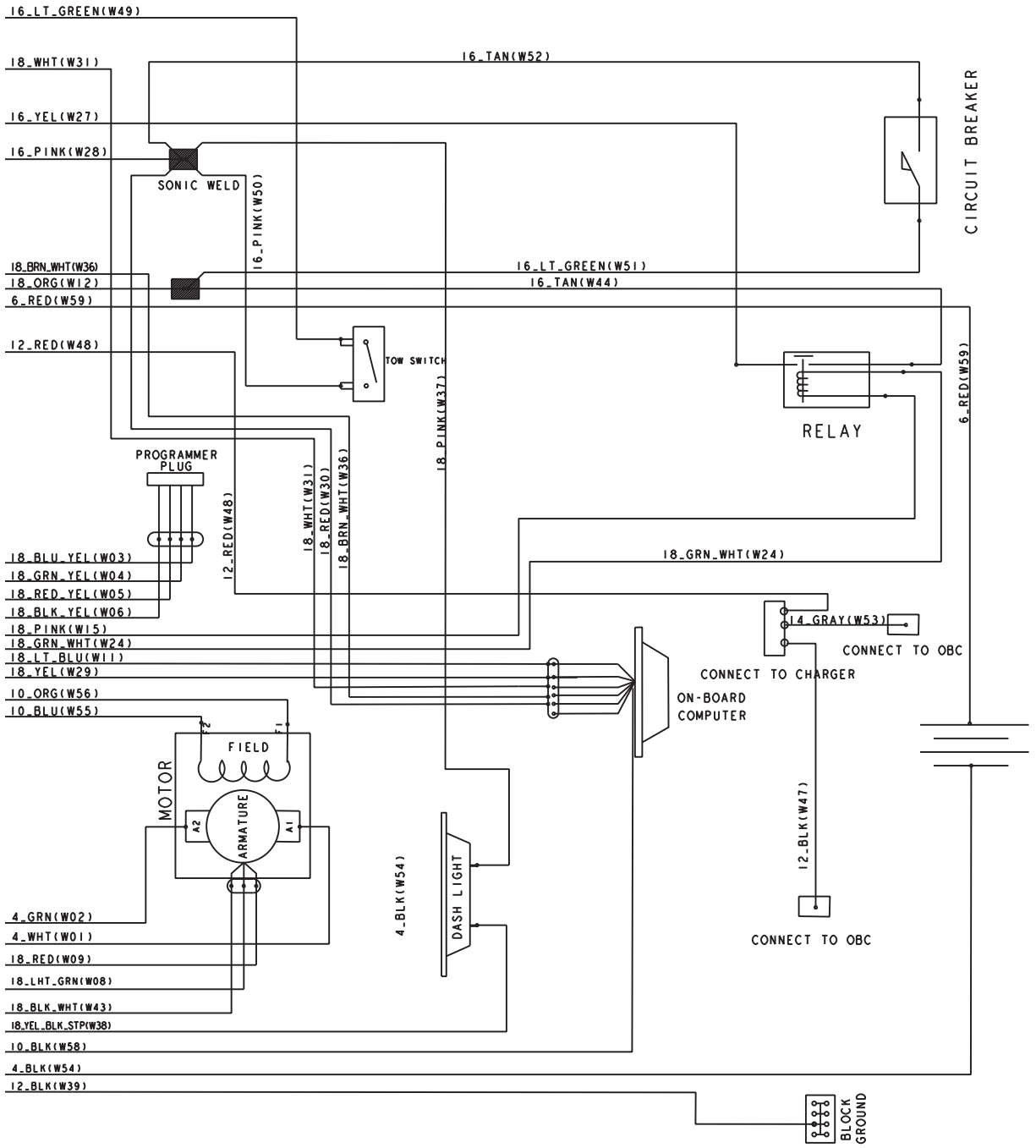
ITEM	PART NO.	DESCRIPTION	QTY
		1 2 3 4	
1	1011229	Locknut, #6-32 Whiz	2
2	1017853	Screw, #6-32 X 0.75 Hex-Head Machine	2
3	N/A	Headlight Only, IQ Plus (includes items 4 through 8)	1
4	1013357	Rivet, 5/32 Aluminum Pop	2
5	1016356	Terminal Block with Insulator	1
6	102869401	Switch, Rocker, Light	1
7	103255701	Wire Harness, Hd Lght, Ca, Ele	1
8	8990	Tie Wrap, 8" Nylon	8
9	101914401	Assembly, Voltage Suppressor	1
10	103414901	Kit, Relay, 48v 30a W/instr (includes items 11 and 12)	1
11	N/A	Relay, Spst No, 48v 30a, Pmt	1
12	N/A	Kit, Relay, 48v 30a Instrns	1
13	304	Screw, 1/4-20 X 1.0 Hex-Head Cap	2
14	332	Washer, 1/4 Type A Narrow Flat	2
15	4029	Horn (includes items 16 through 20)	1
16	1011825	Horn Bracket	1
17	N/A	Horn, 12-VDC	1
18	101955101	Nut, M6 Hex	1
19	7820	Washer, 5/16 Internal-Tooth	1
20	N/A	5/16 Ring Term.	1
21	7591	Washer, #6 Flat	2
22	8233	Locknut, 1/4-20 Nylon Insert	2

14

E



000580-001



000580-001

See previous two pages for illustration.

WIRING – IQ PLUS ELECTRIC CARRYALL 6

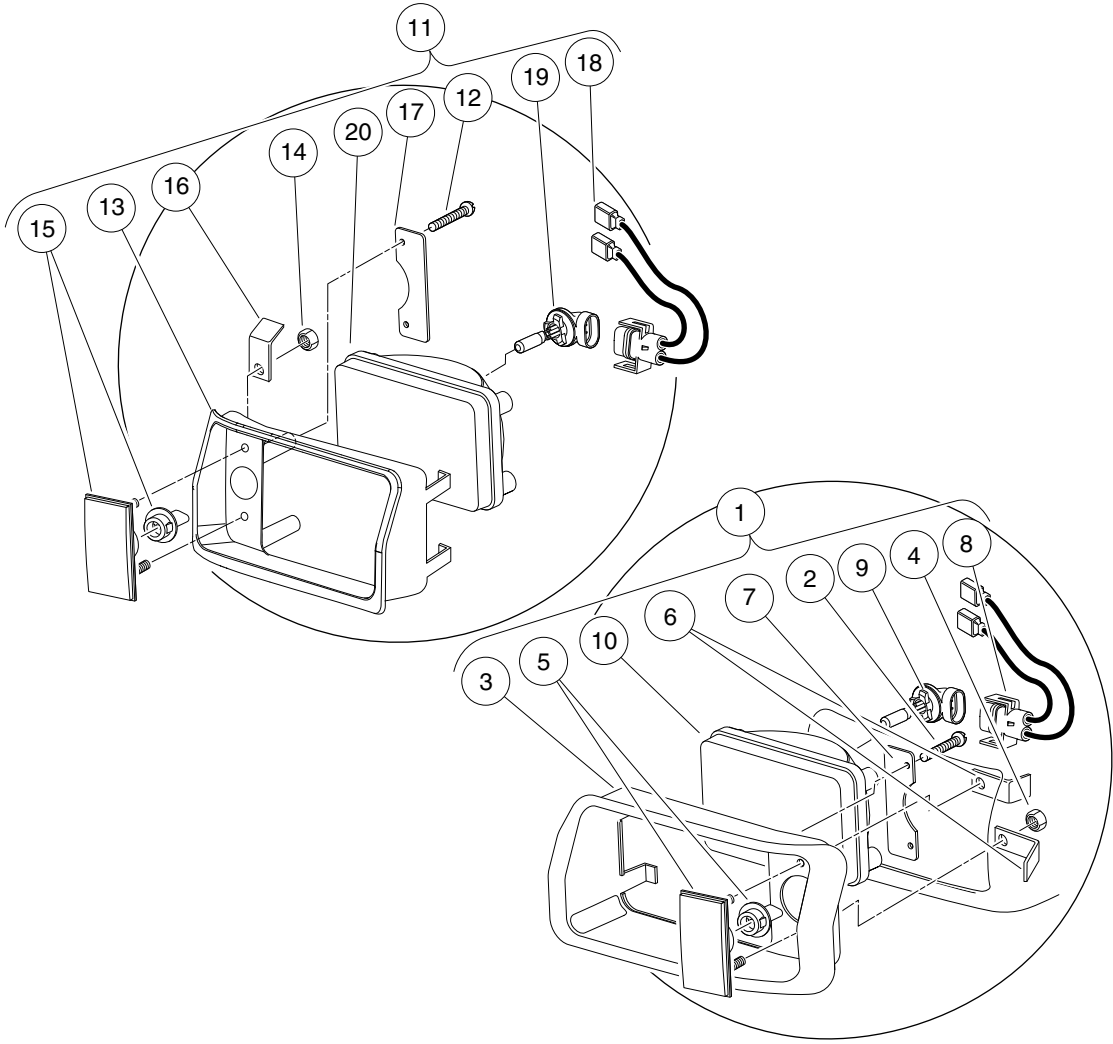
ITEM	PART NO.	DESCRIPTION	QTY
		1 2 3 4	
1	N/A	Shaft Governor Gear	1
2	102845501	Harness, Power, Stretch IQ Plus (includes items 3 through 9)	1
3	N/A	Asm, #4 Grn Wire, 89"	1
4	N/A	Asm, #4 Wht Wire, 88.5"	1
5	N/A	Asm, #10 Org Wire, 89.5"	1
6	N/A	Asm, #10 Blu Wire, 95.5"	1
7	N/A	Asm, #4 Red Wire, 67.5"	1
8	N/A	Asm, #4 Blk Wire, 57.5"	1
9	8639	Tie Wrap, 11" Nylon	6
10	102938301	Chrgr Harness, Iq Plus, Shelf	1
11	103222001	Asm, Wire Harness, Stretch, Electric	1
		Note: Item 1 and 10 not shown.	

14

E

14

E



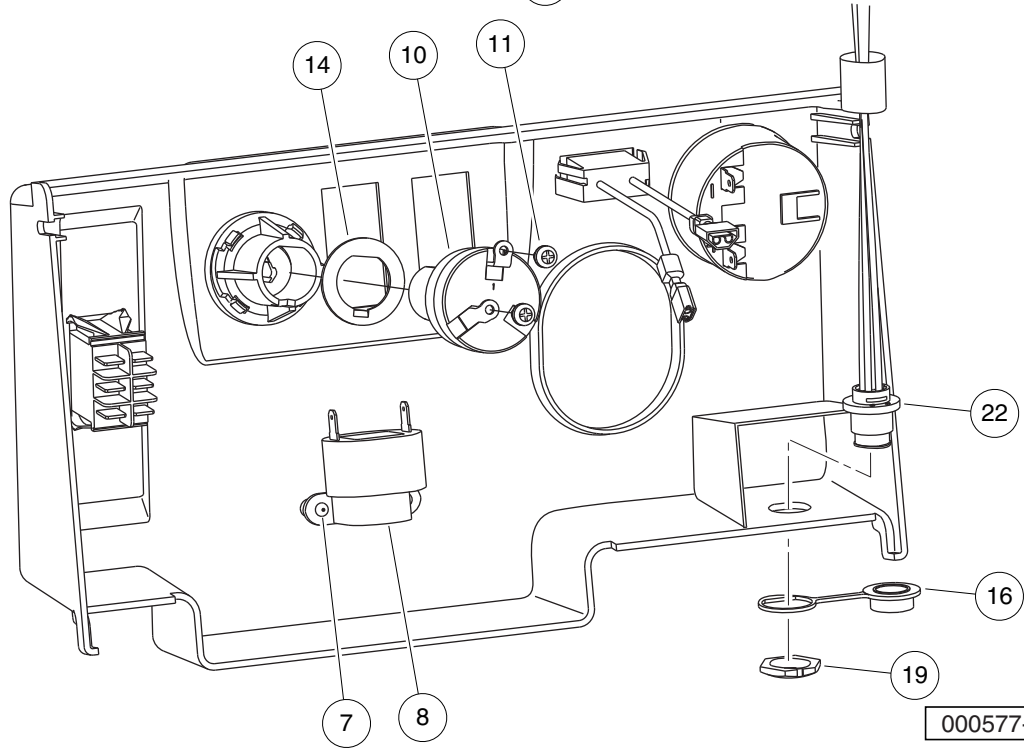
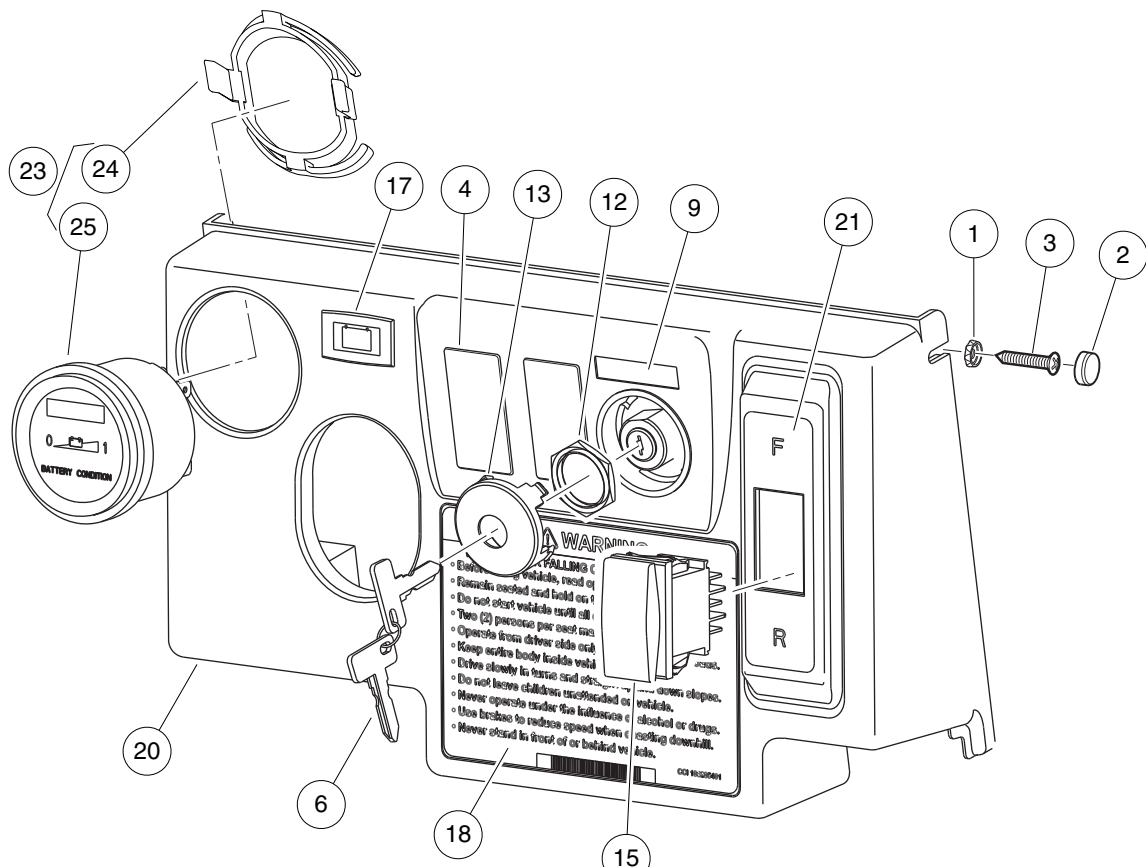
000073-001

HEADLIGHTS

14

E

ITEM	PART NO.	DESCRIPTION	QTY
		1 2 3 4	
1	101988001	Headlight Assembly, Driver-Side Single Beam (includes items 2 through 10)	1
2	1013461	Screw, #10-16 Hex-Head Hi-Lo	2
3	1016880	Headlight Bezel, Left	1
4	1017	Nut, #10-24 Stainless-Steel Hex Machine	2
5	1017062	Turn Signal Lens Assy	1
6	1017064	Mounting Bracket	2
7	1017065	Retainer, Headlight	1
8	101987901	Connector Harness Assembly, Headlight	1
9	101988101	Bulb, Headlight	1
10	101988201	Lens, Headlight	1
11	101988002	Headlight Assy, Passenger-Side Single Beam (includes items 12 through 20)	1
12	1013461	Screw, #10-16 Hex-Head Hi-Lo	2
13	1016879	Headlight Bezel, Right	1
14	1017	Nut, #10-24 Stainless-Steel Hex Machine	2
15	1017062	Turn Signal Lens Assy	1
16	1017064	Mounting Bracket	2
17	1017065	Retainer, Headlight	1
18	101987901	Connector Harness Assembly, Headlight	1
19	101988101	Bulb, Headlight	1
20	101988201	Lens, Headlight	1



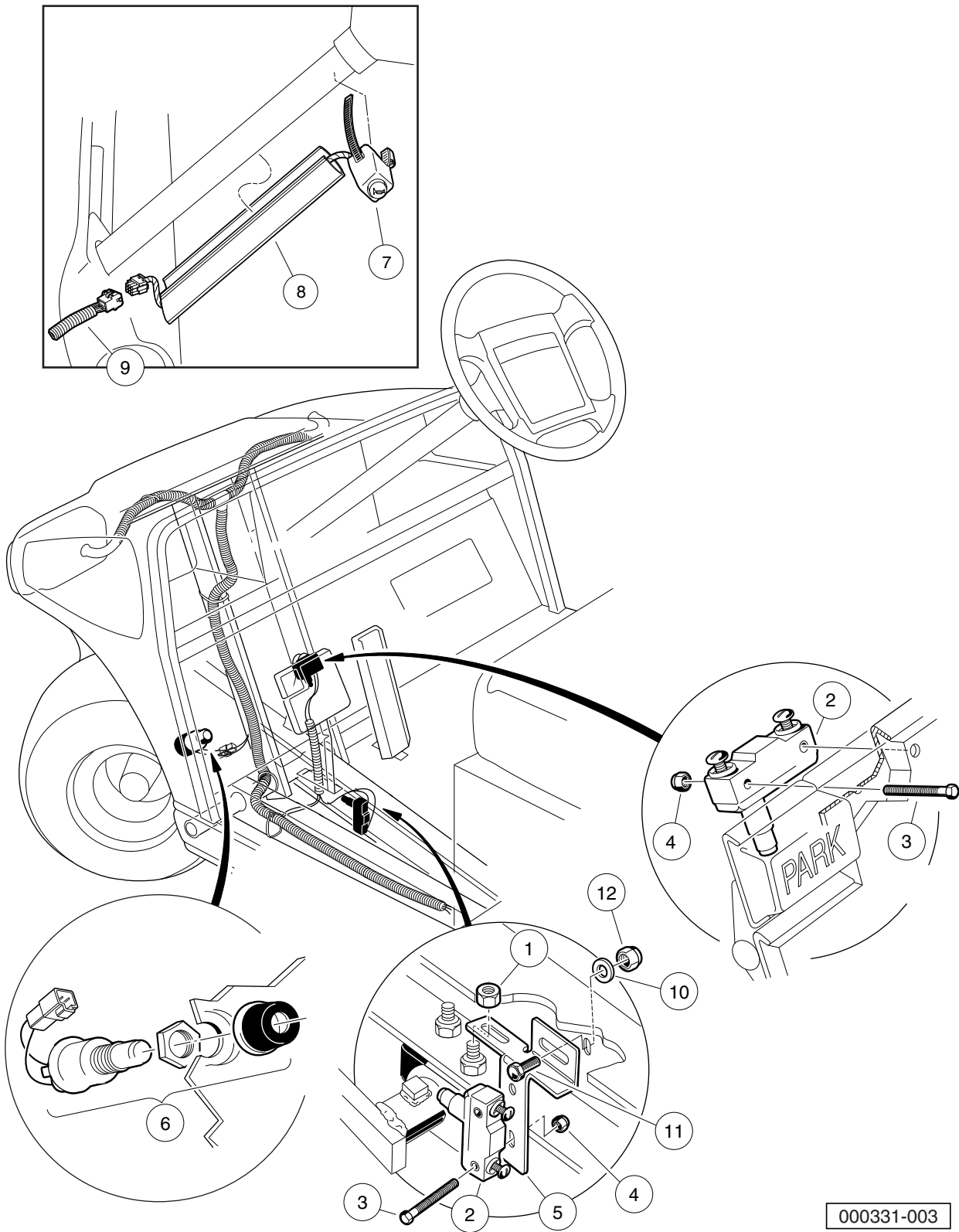
000577-001

INSTRUMENT PANEL WITH ELECTRICAL COMPONENTS

ITEM	PART NO.	DESCRIPTION	QTY
		1 2 3 4	
1	N/A	Washer, #10 Pan-Head Screw	2
2	1013494	Cover, Screw Head	2
3	1015528	Screw, #10 x 1-1/4 Phillips Head	2
4	103180101	Cover, Hole, Switch, Rocker	2
5	N/A	Asm, Dash, Elec, BCI (Instrument Panel) (includes items 6 through 23)	1
6	1012505	Keys (set of 2)	1
7	1016849	Screw, #4-24 X 0.33 Pan-Head Machine	2
8	1016851	Buzzer, Reverse (9-48 VDC)	1
9	101825101	Decal, Off/On	1
10	101826201	Key Switch, On/Off	1
11	101830601	Screw and Washer Assembly	5
12	101830701	Nut, Key Switch	1
13	101834502	Cap, Black Key Switch	1
14	101851101	Washer, Key Switch	1
15	101856002	Switch, Rocker, Single-Pole	1
16	102196901	Dust Cap	1
17	102508701	Light, Battery	1
18	102518001	Decal, Operating Instr, Elec	1
19	102572401	Nut, Diagnostic Port, Prec	1
20	102977002	Panel, Dash, Center, Gas (Instrument Panel)	1
21	103210301	Decal, Forward/Reverse, Electric	1
22	103218601	Harness, Diagnostic Port	1
23	103354401	Gauge, Battery Cond Ind, Rnd (includes items 24 and 25)	1
24	103348202	Clip, Bci, Round	1
25	N/A	Battery Condition Indicator Gauge	1

14

E

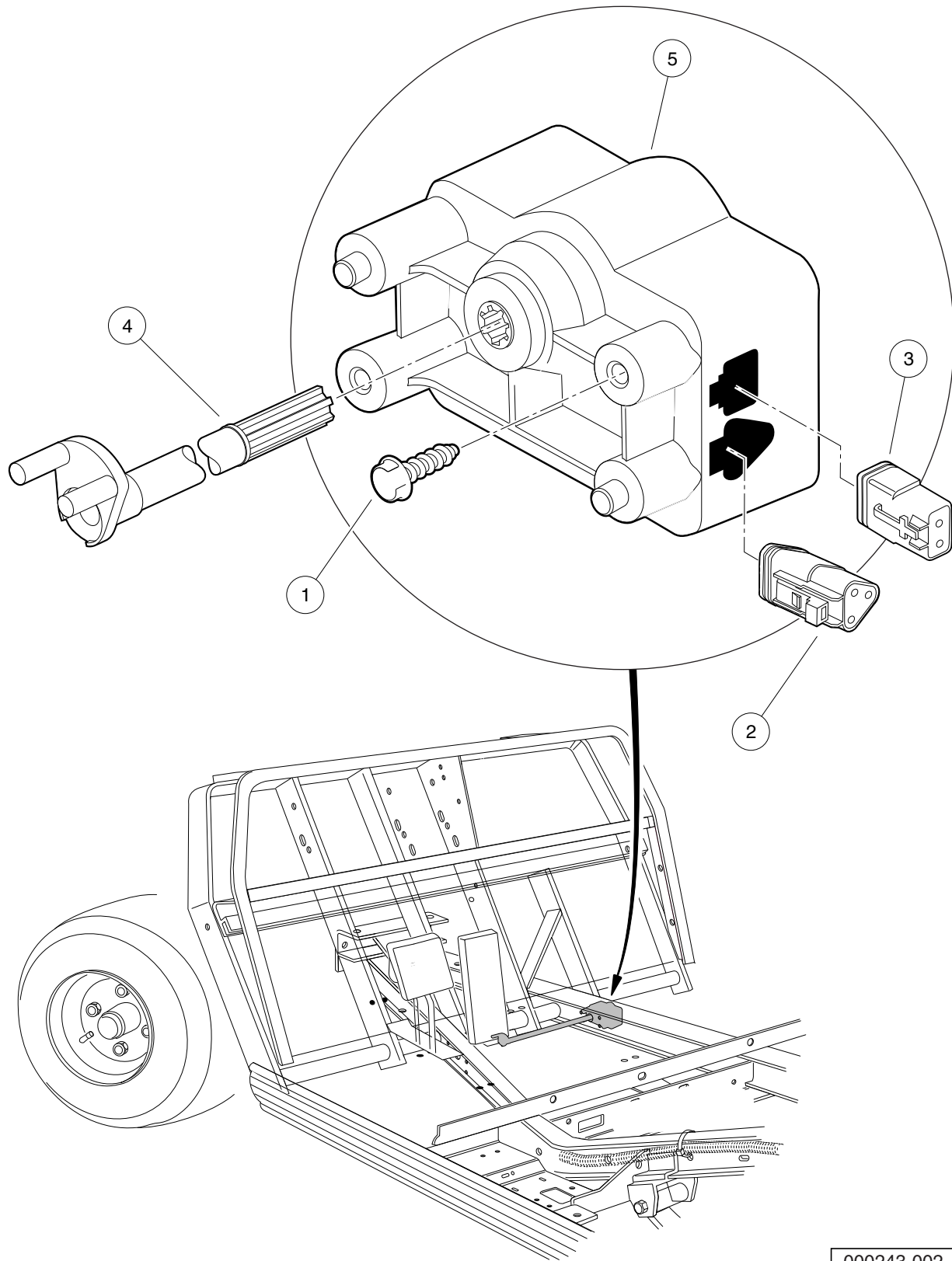


HORN AND BRAKE SWITCHES

ITEM	PART NO.	DESCRIPTION	QTY
		1 2 3 4	
1	1011280	Locknut, 5/16-18	1
2	1011439	Switch, Limit	2
3	1011557	Screw, #6-32 X 1.00 Hex-Head Machine	4
4	101932201	Locknut, #6-32 Nylon	4
5	101957101	Bracket, Brake Light Switch	1
6	101969701	Horn Button and Wire Assembly	1
7	102517601	Subasm, Horn Button Harness	1
8	102529201	Wire Cover, Steering Column	1
9	103618101	Harness, Jumper, Horn	1
10	1241	Washer, 5/16 Type A Flat	1
11	7173	Screw, 5/16-18 X 0.75 Hex-Head Cap	1
12	7473	Locknut, 5/16-18 Nylon Insert	1

14

E



000243-002

MOTOR CONTROLLER OUTPUT REGULATOR (MCOR)

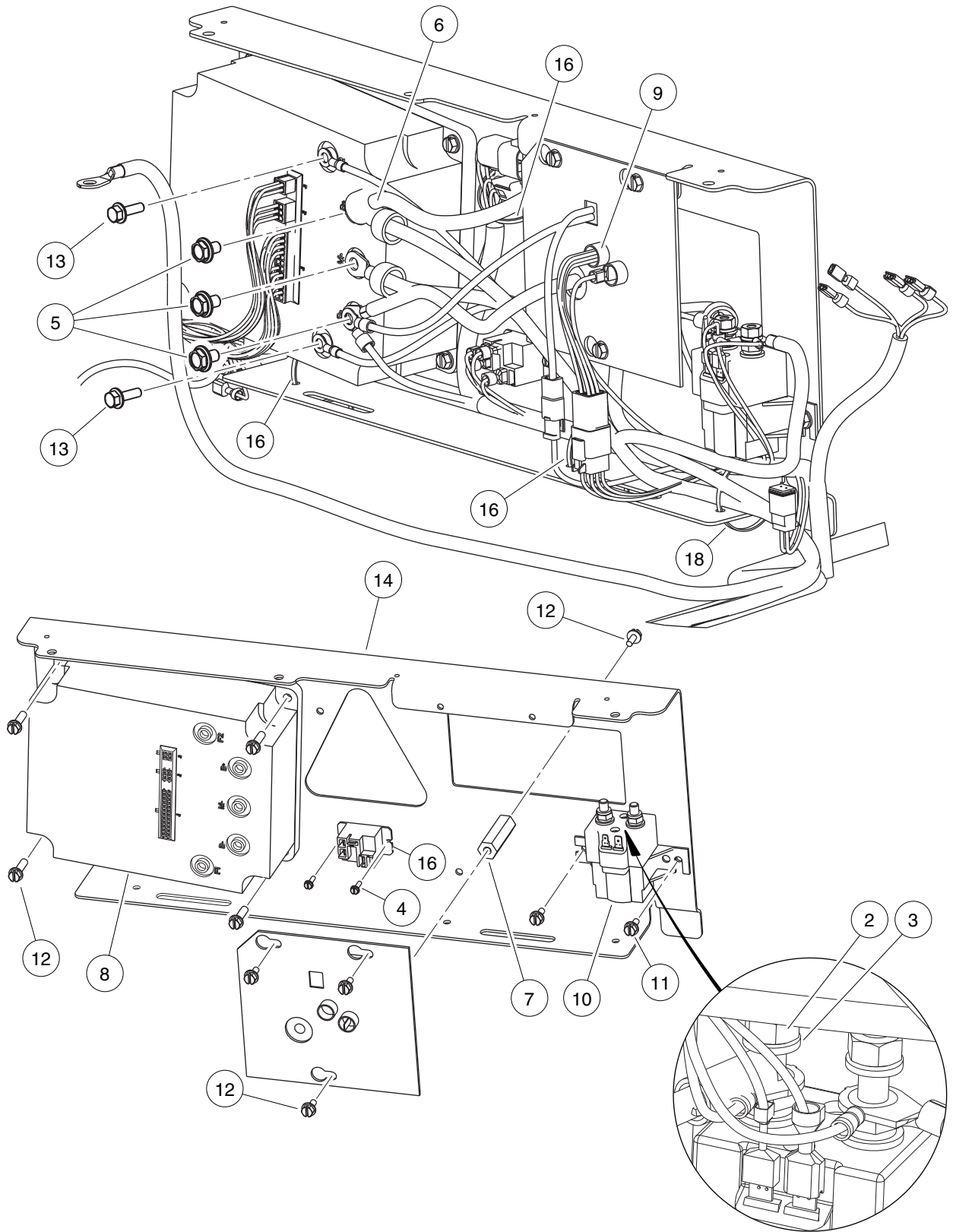
ITEM	PART NO.	DESCRIPTION	QTY
		1 2 3 4	
1	1015752	Screw, #12-16 X 0.625 Hi-Lo	2
2	101920101	Kit, 3-Pin Wedge Lock	1
3	101936801	Kit, 2-Pin Wedge Lock	1
4	102101001	Bar, Drive, Cast	1
5	102101101	MCOR	1

14

E

14

E



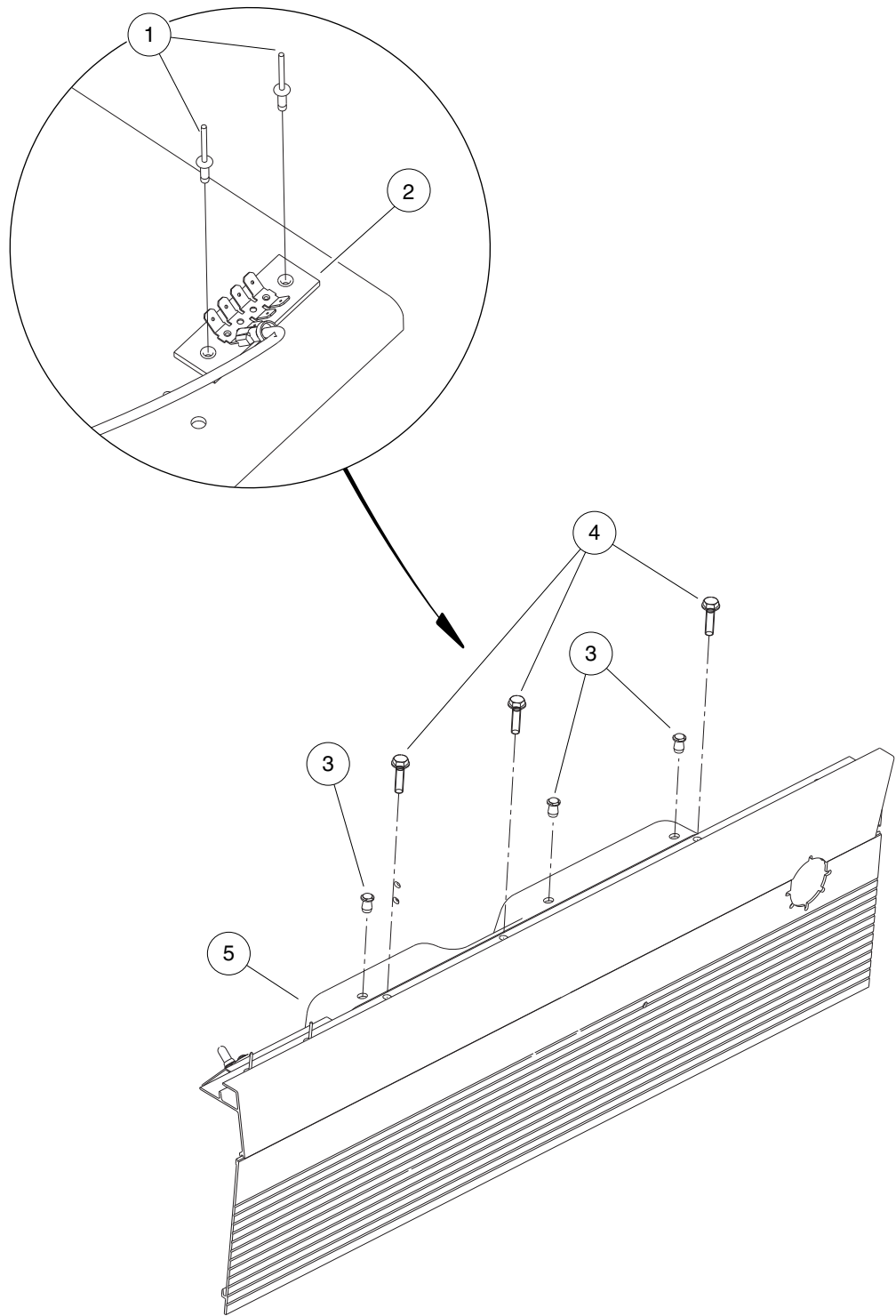
000589-001

ELECTRICAL COMPONENTS – IQ PLUS CARRYALL 6

ITEM	PART NO.	DESCRIPTION	QTY
		1 2 3 4	
1	N/A	Asm, Electrical Component Box (includes items 2 through 18)	1
2	1012528	Nut, M8-1.25 Hex	2
3	1013734	Lockwasher, 8mm Split	2
4	1015720	Screw, #6-32 X 1/2 Hex Washer-Head	2
5	102240501	Bolt, Controller, Terminal	3
6	102440901	Wire Asm, #4 Yellow, 13"	1
7	102769701	Spacer, 2", 1/4-20, Hex	1
8	102774501	Controller, 500 Amp	1
9	N/A	Computer, Onbrd, 8x 6v, 64"	1
10	102774701	Solenoid, 48v	1
11	102817101	Screw, 1/4-20 X .50 Hex Wsh Hd	6
12	102817201	Screw, 1/4-20 X .88 Hex Wsh Hd	4
13	102859501	Screw, M6 X 1 X 20 Ser Hex Flg	2
14	102912801	Plate, Component, Front	1
15	103414901	Kit, Relay, 48v 30a W/instr (includes items 16 and 17)	1
16	N/A	Relay, Spst No, 48v 30a, Pmt	1
17	N/A	Kit, Relay, 48v 30a Instrns	1
18	8990	Tie Wrap, 8" Nylon	5

14

E



000598-001

ELECTRICAL INSTALLATION – CARRYALL 6

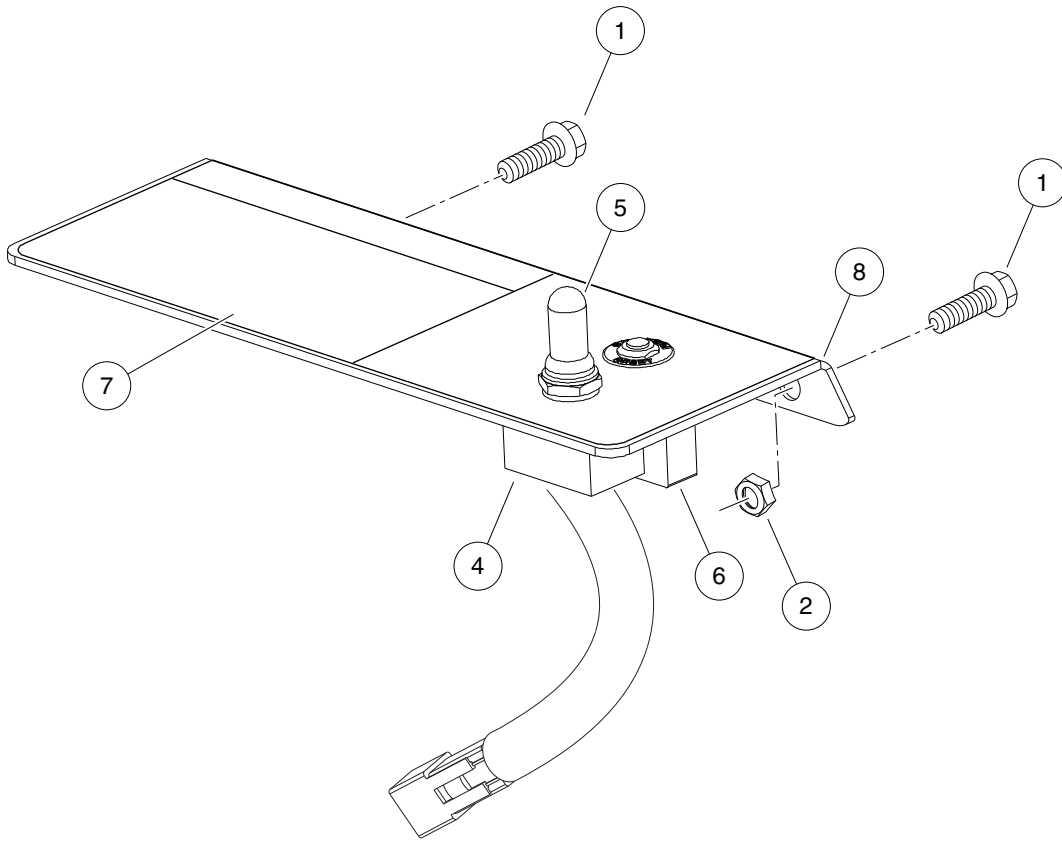
ITEM	PART NO.	DESCRIPTION	QTY
		1 2 3 4	
1	1013357	Rivet, 5/32 Aluminum Pop	2
2	1016356	Terminal Block with Insulator	1
3	1016967	Blind Rivet, Push Type	3
4	102238001	#10-24 Taptite Screw	3
5	102772402	Cover, Electrical Component, Carryall 6	1
6	8990	Tie Wrap, 8" Nylon	11

14

E

14

E



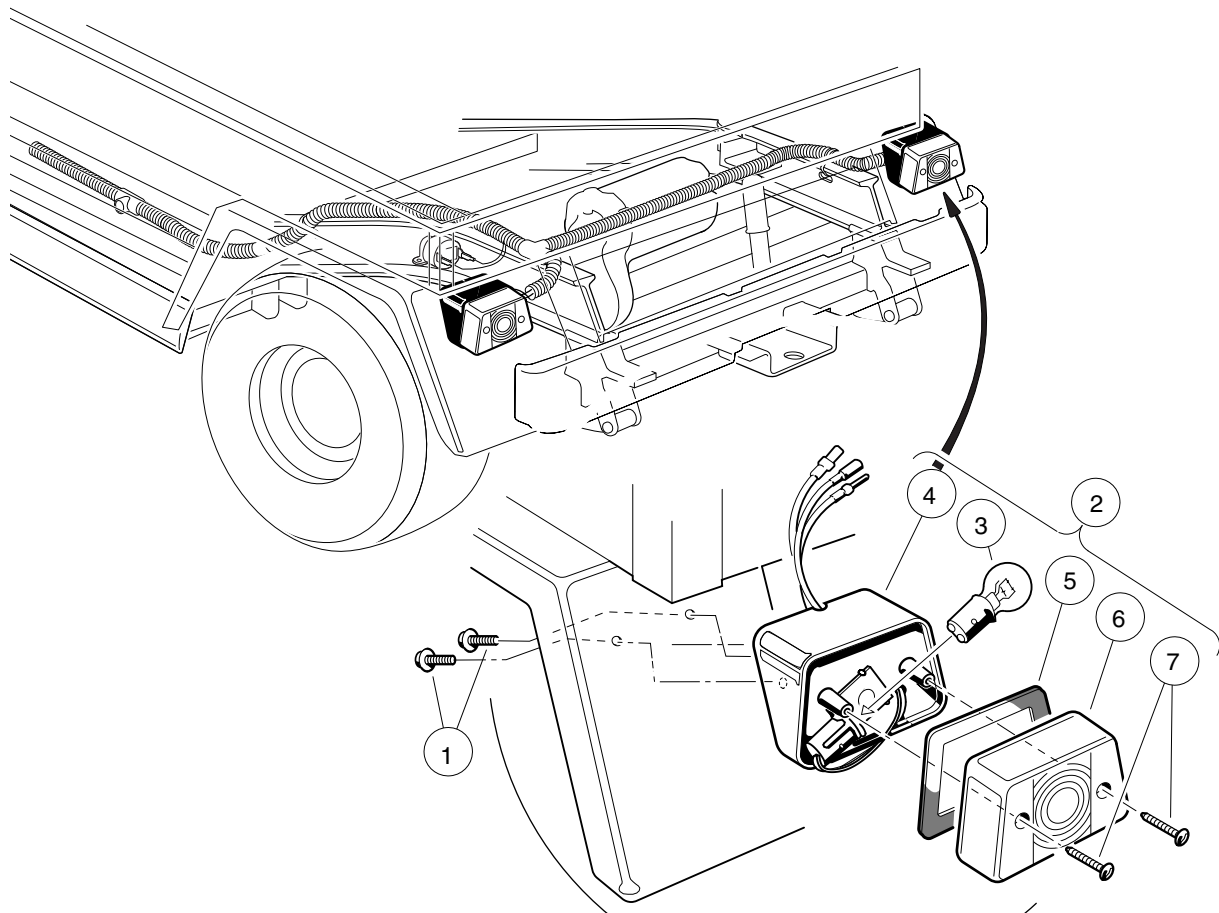
000425-001

TOW/RUN SWITCH – IQ PLUS VEHICLES

ITEM	PART NO.	DESCRIPTION	QTY
		1 2 3 4	
1	1012126	Screw, #10-32 X .625 Hx Washer	1
2	1013061	Locknut, #10-32 Nylon Insert	2
3	N/A	Tow/Run Switch Assembly (includes items 4 through 8)	1
4	101908101	Switch Assembly, Tow/Run	1
5	101908401	Boot, Switch	1
6	102838101	Circuit Breaker 250vac-50vdc	1
7	102845101	Decal, Tow Switch	1
8	102915701	Plate, Switch, Run Tow, Mode	1

14

E



000348-005

TAILLIGHTS

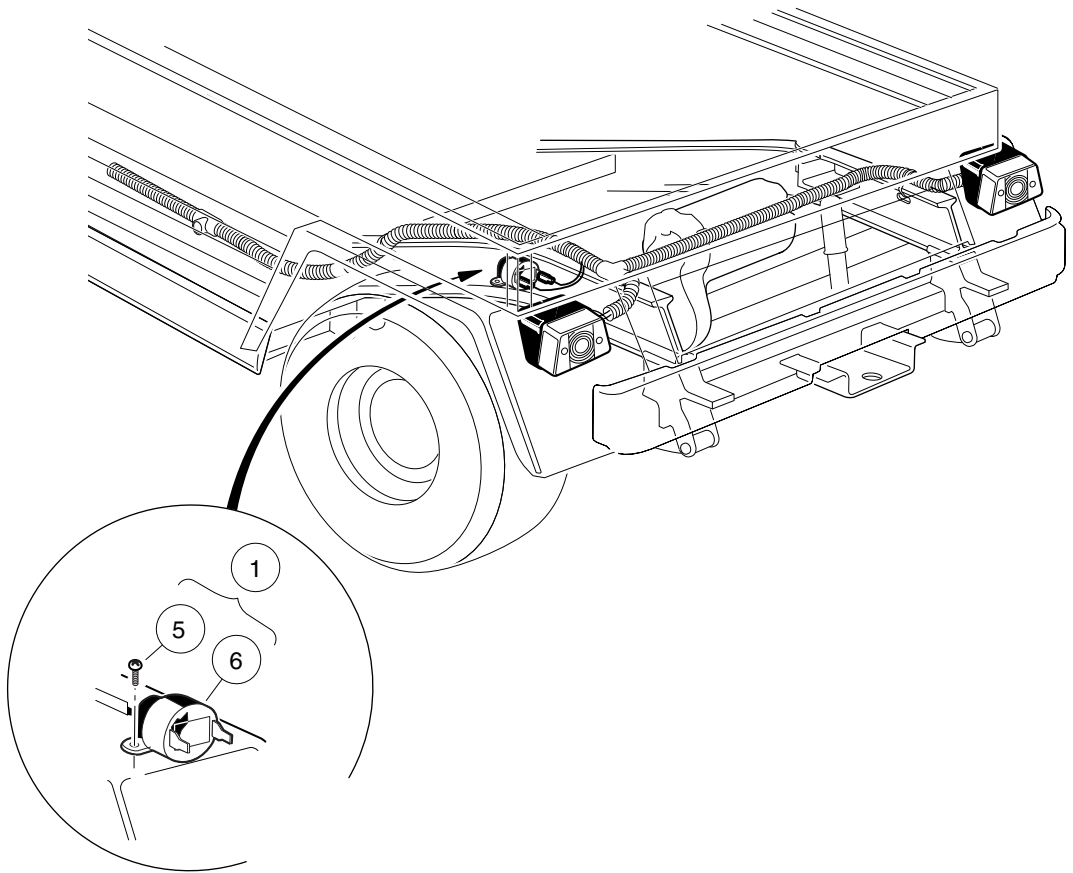
ITEM	PART NO.	DESCRIPTION	QTY
		1 2 3 4	
1	1015752	Screw, #12-16 X 0.625 Hi-Lo	4
2	1016717	Light Assembly, Stop/Taillight (includes items 3 through 7)	2
3	1011582	Taillight Bulb	1
4	N/A	Housing, Taillight	1
5	N/A	Gasket, Taillight	1
6	N/A	Lens, Taillight	1
7	N/A	Screw, Taillight Lens	2

14

E

14

E



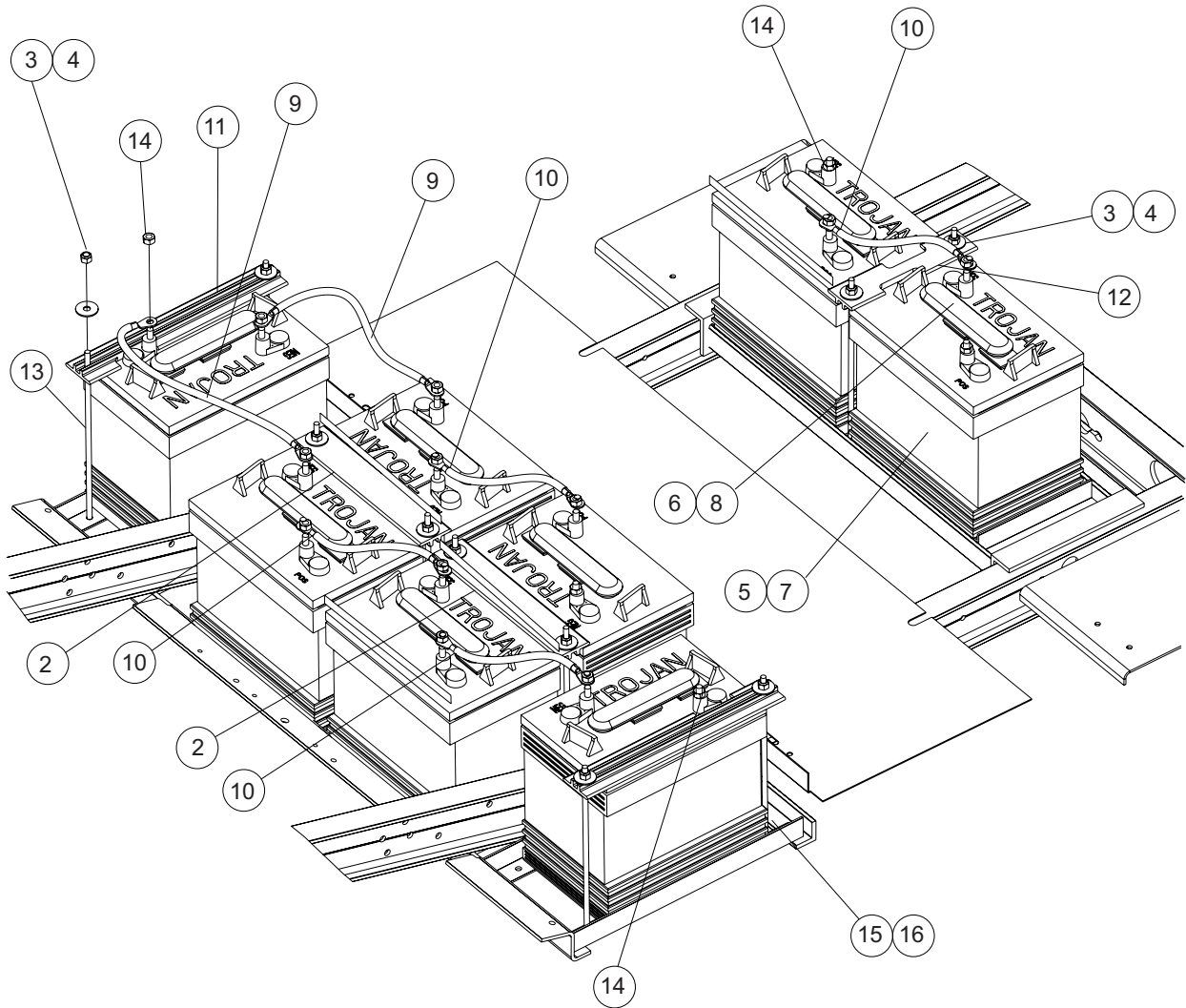
000432-001

REAR REVERSE BUZZER – CARRYALL 6

ITEM	PART NO.	DESCRIPTION	QTY
		1 2 3 4	
1	1016859	Kit, Reverse Buzzer (includes items 2 through 10)	1
2	1011229	Locknut, #6-32 Whiz	1
3	1012431	Washer, #4 Flat	2
4	1015720	Screw, #6-32 X 1/2 Hex Washer-Head	1
5	1016849	Screw, #4-24 X 0.33 Pan-Head Machine	2
6	1016851	Buzzer, Reverse (9-48 VDC)	1
7	N/A	Wire Assembly Black #18	1
8	8056	Screw, #4-40 X 0.75 Round-Head Machine	2
9	8057	Nut, #4-40 Hex Machine	2
10	8058	Lockwasher, #4 Split	2
<p>Note: Note: Items 2 through 4 and 7 through 10 are included in the kit, but are not used in this application.</p>			

14

E



000410-001

IQ PLUS VEHICLE WITH T-105 BATTERIES

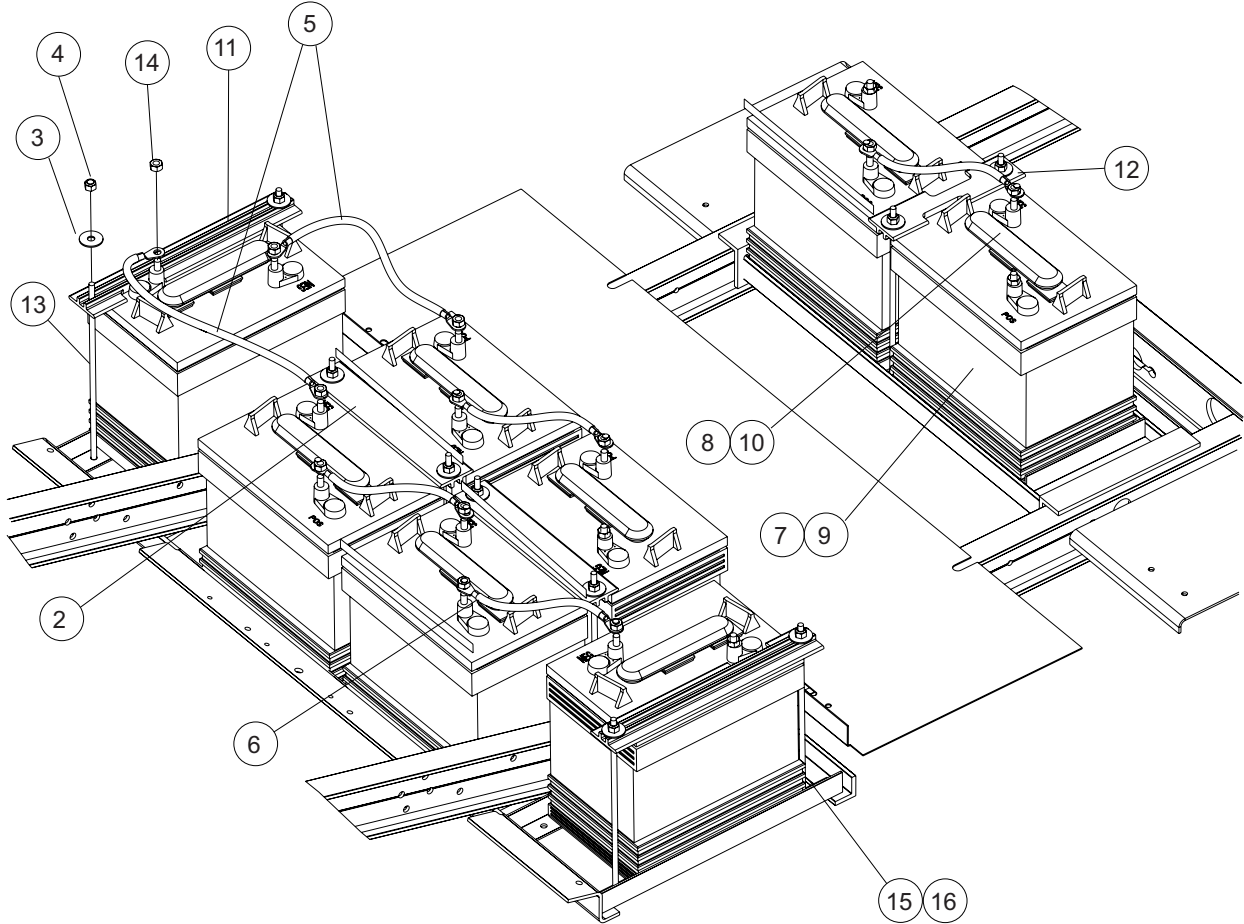
ITEM	PART NO.	DESCRIPTION	QTY
		1 2 3 4	
1	N/A	Battery Install, Stretch IQ Plus w/T-105 Batteries (includes items 2 through 16)	1
2	101090801	Hold-Down, Battery	2
3	1012571	Washer, 5/16 Extra Thick Flat	10
4	1015072	Locknut, 5/16-18 Nylon Insert	10
5	N/A	Battery, 6v Trojan T105 (Wet) (includes item 6)	8
6	101831401	Battery Cap 6 Volt	1
7	N/A	Battery, 6v Trojan T105 (Dry, also known as moist) (includes item 8)	8
8	101831401	Battery Cap 6 Volt	1
9	102002801	Wire Assy, #4 Black	2
10	102002901	Wire Assy, #4 Black	4
11	102766201	Hold Down, Outside	2
12	102830301	Hold Down, Front Center	1
13	102845203	Rod, Battery Hold Down 10.7"	10
14	102873401	5/16-18 Heavy Hex Nut	16
15	102980801	Extr, Plastic, 1 X 1 X 3	2
16	102980901	Clamp, Hose, Nylon, .25	2

14

E

14

E



000410-002

IQ PLUS VEHICLE WITH T-145 BATTERIES

ITEM	PART NO.	DESCRIPTION	QTY
		1 2 3 4	
1	N/A	Battery Install, Stretch IQ Plus w/T-145 Batteries (includes items 2 through 16)	1
2	101090801	Hold-Down, Battery	2
3	1012571	Washer, 5/16 Extra Thick Flat	10
4	1015072	Locknut, 5/16-18 Nylon Insert	10
5	102002801	Wire Assy, #4 Black	2
6	102002901	Wire Assy, #4 Black	4
7	N/A	Battery, 6v Trojan T145 (wet) (includes item 8)	8
8	101831401	Battery Cap 6 Volt	1
9	N/A	Battery, 6v Trojan T145 (Dry, also known as moist) (includes item 10)	8
10	101831401	Battery Cap 6 Volt	1
11	102766201	Hold Down, Outside	2
12	102830301	Hold Down, Front Center	1
13	102845204	Rod, Battery Hold Down 12"	12
14	102873401	5/16-18 Heavy Hex Nut	16
15	102980801	Extr, Plastic, 1 X 1 X 3	2
16	102980901	Clamp, Hose, Nylon, .25	2

14

E

14

E

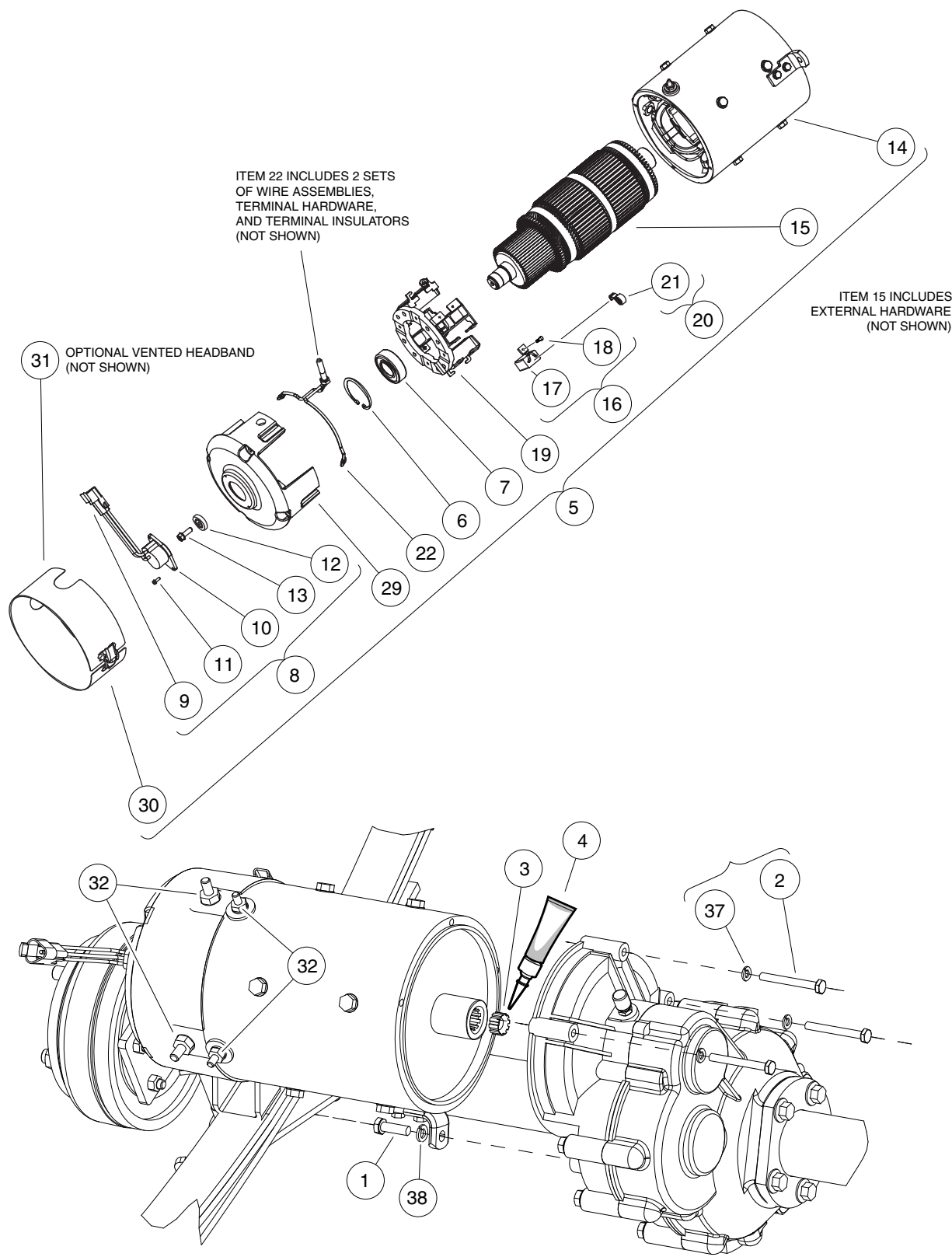
ELECTRIC MOTOR

15

E

15

E



000411-001

MOTOR (MODEL DA5-4006) – IQ PLUS

ITEM	PART NO.	DESCRIPTION	QTY
		1 2 3 4	
1	1010934	Screw, 5/16-18 X 1.00 Hex Cap	1
2	1014201	Screw, 1/4-20 X 2.25 Hex Cap	3
3	102235201	Bumper, Drive Unit	1
4	102243403	Lubricant, Moly-Teflon (Single-Use Tube)	1
5	102775101	IQ Plus Electric Motor, 48-VDC 3.7 hp (includes items 6 through 30)	1
6	N/A	Ring, 2.24" Internal Retaining	1
7	102186401	Bearing, Ball	1
8	102704901	Kit, Speed Sensor (includes items 9 through 13)	1
9	101942301	Kit, 3-Pin Wedge Lock	1
10	N/A	Sensor, Motor Speed, ADC	1
11	N/A	Screw, #8-32, Taptite Thread	2
12	N/A	Magnet, ADC Motor	1
13	N/A	Screw, 1/4-20 x 0.5	1
14	N/A	Asm, Frame And Field, 3.7 Hp	1
15	N/A	Armature (Includes external hardware - not shown)	1
16	102938601	Kit, Brush, 3.7 Hp (includes items 17 and 18)	1
17	N/A	Brush, Motor	8
18	N/A	Screw, Taptite	8
19	102938701	Asm, Brush Box, 3.7 Hp	1
20	102938801	Kit, Brush Spring, 3.7 Hp (includes item 21)	1
21	N/A	Brush Spring	8
22	102938901	Kit, Brush Lead Asm, 3.7 Hp (includes items 23 through 28)	1
23	N/A	Terminal and Lead Assembly	2
24	N/A	Insulator, Terminal	2
25	N/A	Washer, Insulating	2
26	N/A	Washer, Flat, 5/16, Brass/Bronze	2
27	N/A	Nut, 5/16, Steel	4
28	N/A	Lockwasher, 5/16, Steel	2
29	102939001	Commutator End Head, 3.7 Hp	1
30	102939101	Sealed Headband, 3.7 Hp	1
31	102939102	Vented Headband, 3.7 HP (optional - not shown)	1
32	102951701	Pkg, Terminal Hardware, 3.7hp (includes items 33 through 36)	1
33	N/A	Nut, 5/16, Steel	2
34	N/A	Lockwasher, 5/16, Steel	2
35	N/A	Nut, 1/4-20, Steel	2
36	N/A	Lockwasher, 1/4-20, Steel	2
37	451	Lockwasher, 1/4 Split	3
38	7174	Lockwasher, 5/16 Split	1

15

E

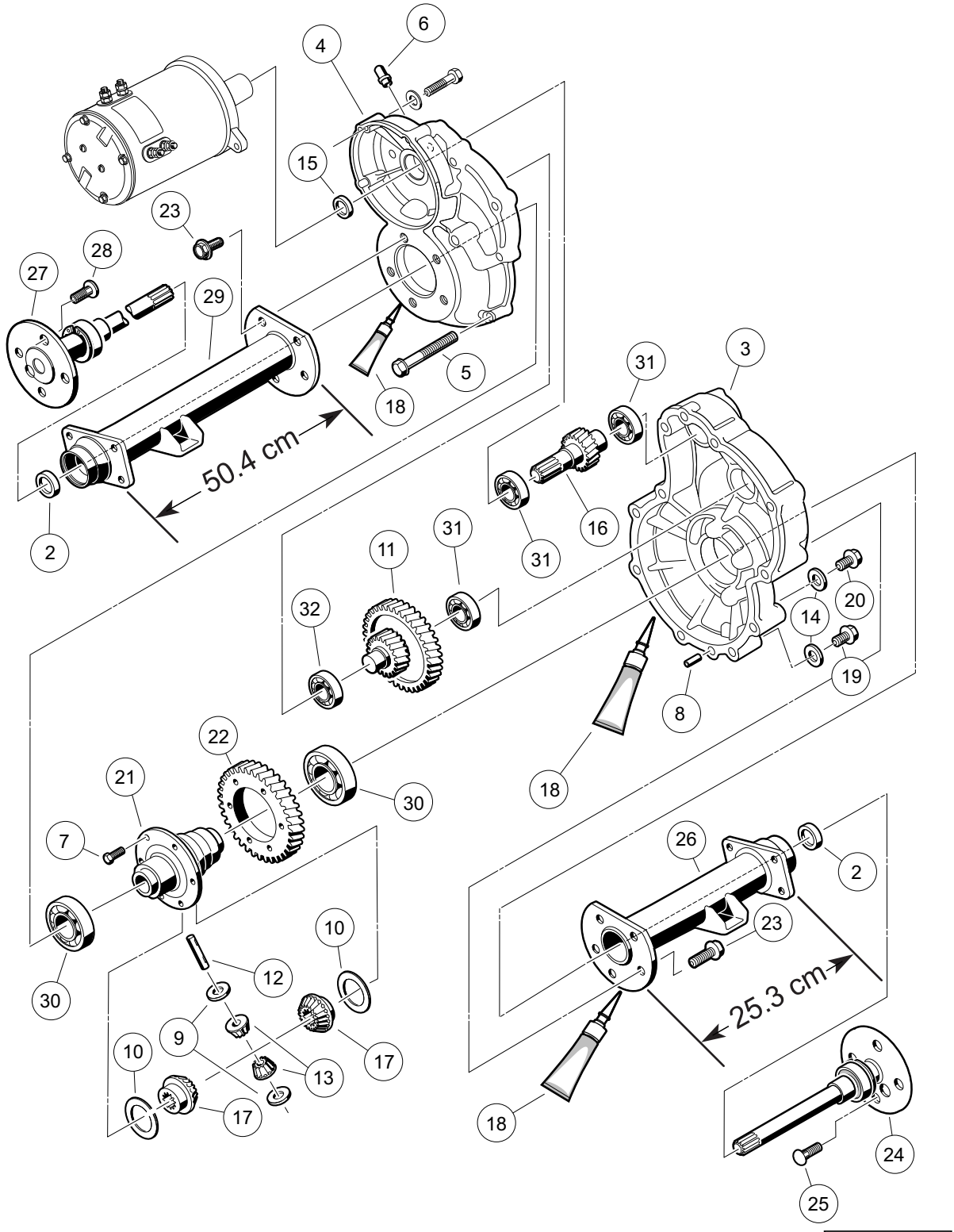
15

E

TRANSAXLE – ELECTRIC VEHICLES

16

E



000223-002

TRANSAXLE – ELECTRIC VEHICLES

ITEM	PART NO.	DESCRIPTION	QTY
		1 2 3 4	
1	102771701	Transaxle, Electric (includes items 2 through 32)	1
2	1013794	Axle Shaft Oil Seal	2
3	101895401	Gear Case, Left-Hand	1
4	101895501	Gear Case, Passenger-Side	1
5	101897001	Screw, M8-1.25 X 60mm Hex-Head	11
6	101897201	Breather	1
7	101897401	Screw, M10-1.25 X 25mm	6
8	101897601	Pin, 11mm OD X 8.5mm ID X 10mm	2
9	101903601	Washer, Thrust	2
10	101903701	Washer, Thrust	2
11	101906901	Intermediate Shaft Assembly	1
12	101922101	Pin, 15.99mm X 88.7mm Dowel	1
13	101923001	Gear, Differential Idler	2
14	101923201	Gasket	2
15	101923501	Seal, Lip	1
16	N/A	Shaft, Input	1
17	101923901	Gear, Differential	2
18	101928701	Liquid Gasket (Transaxle case)	1
19	101972101	Plug, M14-1.5 X 12mm Magnetic	1
20	101972201	Plug, M14-1.5 X 12mm Hex	1
21	102356601	Housing, Differential, 6 Bolt	1
22	102356801	Gear, Differential Output, 6-Bolt	1
23	102357001	Screw, Flg Hd M10 X 1.5 X 30	10
24	102886301	Axle Assembly, Driver-Side (includes item 25)	1
25	101922201	Lug Stud	4
26	102886401	Tube, Axle, Driver-Side	1
27	102886501	Axle Assembly, Passenger-Side (includes item 28)	1
28	101922201	Lug Stud	4
29	102886601	Tube, Axle, Passenger-Side	1
30	7330	Inner Axle Tube Bearing	2
31	7335	Bearing	3
32	7336	Bearing	1

16

E

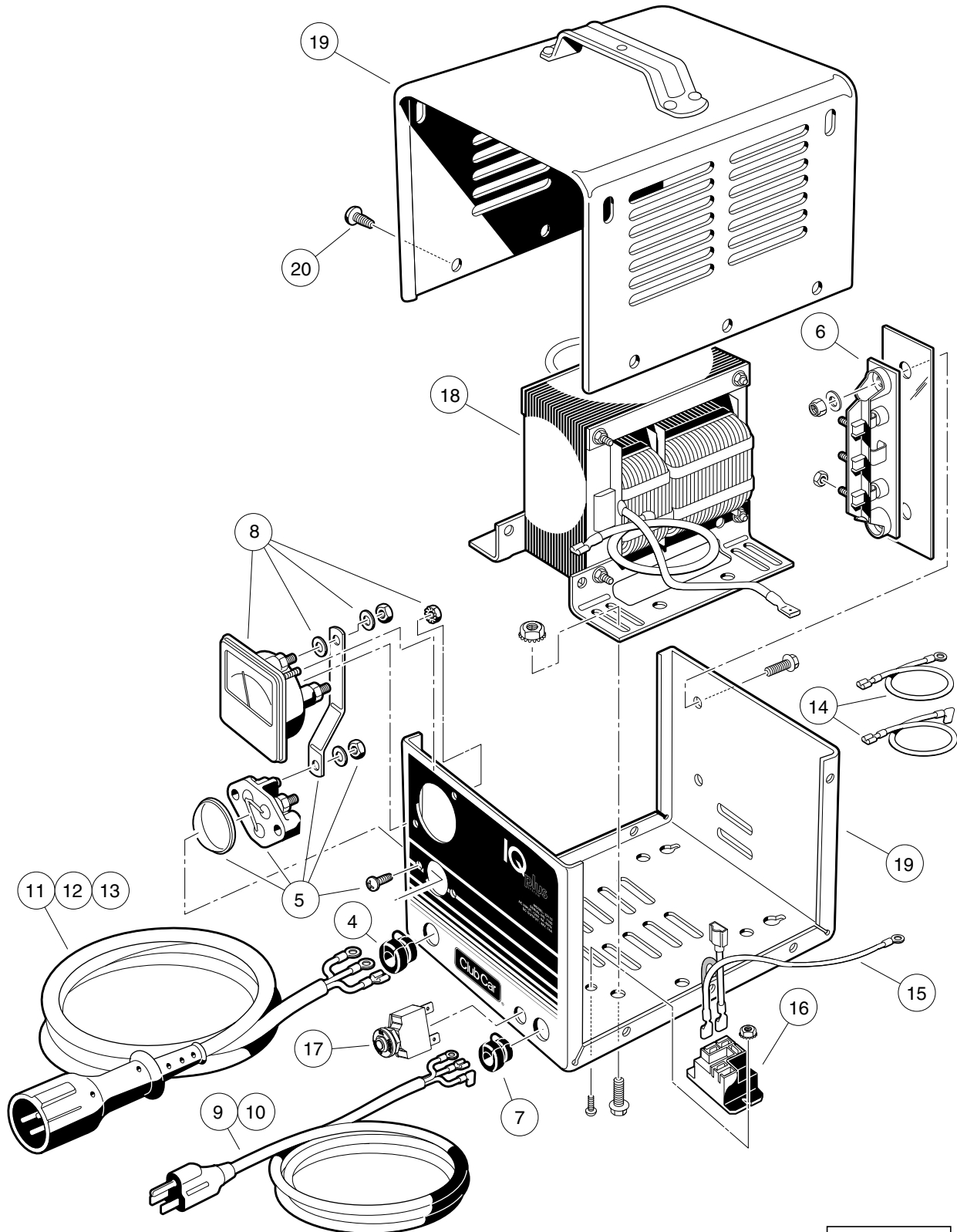
16

E

BATTERY CHARGER

17

E



000414-001

IQ PLUS DOMESTIC BATTERY CHARGER (MODEL 25730)

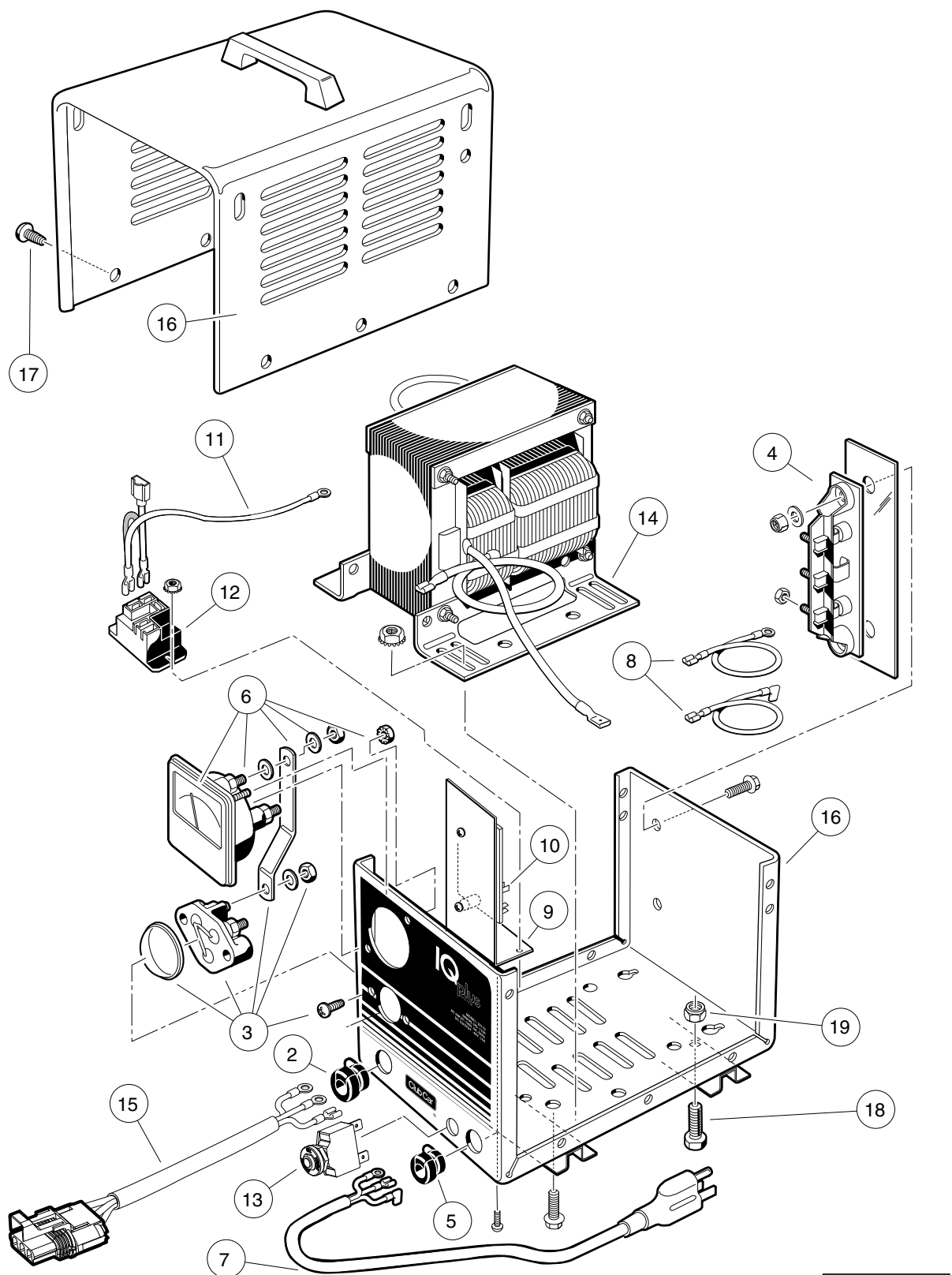
ITEM	PART NO.	DESCRIPTION	QTY
		1 2 3 4	
1	102847801	48-V/17-A IQ Plus (9-ft. DC Cord, 6-ft. AC Cord)	1
2	102847802	48-V/17-A IQ Plus (12-ft. DC Cord, 9-ft. AC Cord)	1
3	102847803	48-V/17-A IQ Plus (20-ft. DC Cord, 9-ft. AC Cord) (includes items 4 through 20)	1
4	1012098	Bushing, DC Cord	1
5	1012101	Fuse Assembly	1
6	1015914	Rectifier with Heatsink Assembly	1
7	1015917	Bushing, AC Cord	1
8	101828501	Ammeter	1
9	101828801	Cord, AC, 80-Inch (203 cm)	1
10	101828802	Cord, AC, 108-Inch (274 cm)	1
11	101828901	Cord, DC, 113-Inch (287 cm)	1
12	101828902	Cord, DC, 154-Inch (391 cm)	1
13	101828903	Cord, DC, 250-Inch (635 cm)	1
14	101831101	Wire Assembly Kit	1
15	101914401	Assembly, Voltage Suppressor	1
16	102275401	Relay, 48-VDC	1
17	102838101	Circuit Breaker 250vac-50vdc	1
18	N/A	Transformer, Battery Charger	1
19	N/A	Case, Battery Charger	1
20	N/A	Screw, #10 X 0.50 Phillips Pan-Head	10

17

E

17

E



000415-001

IQ PLUS ONBOARD BATTERY CHARGER (MODEL 25260)

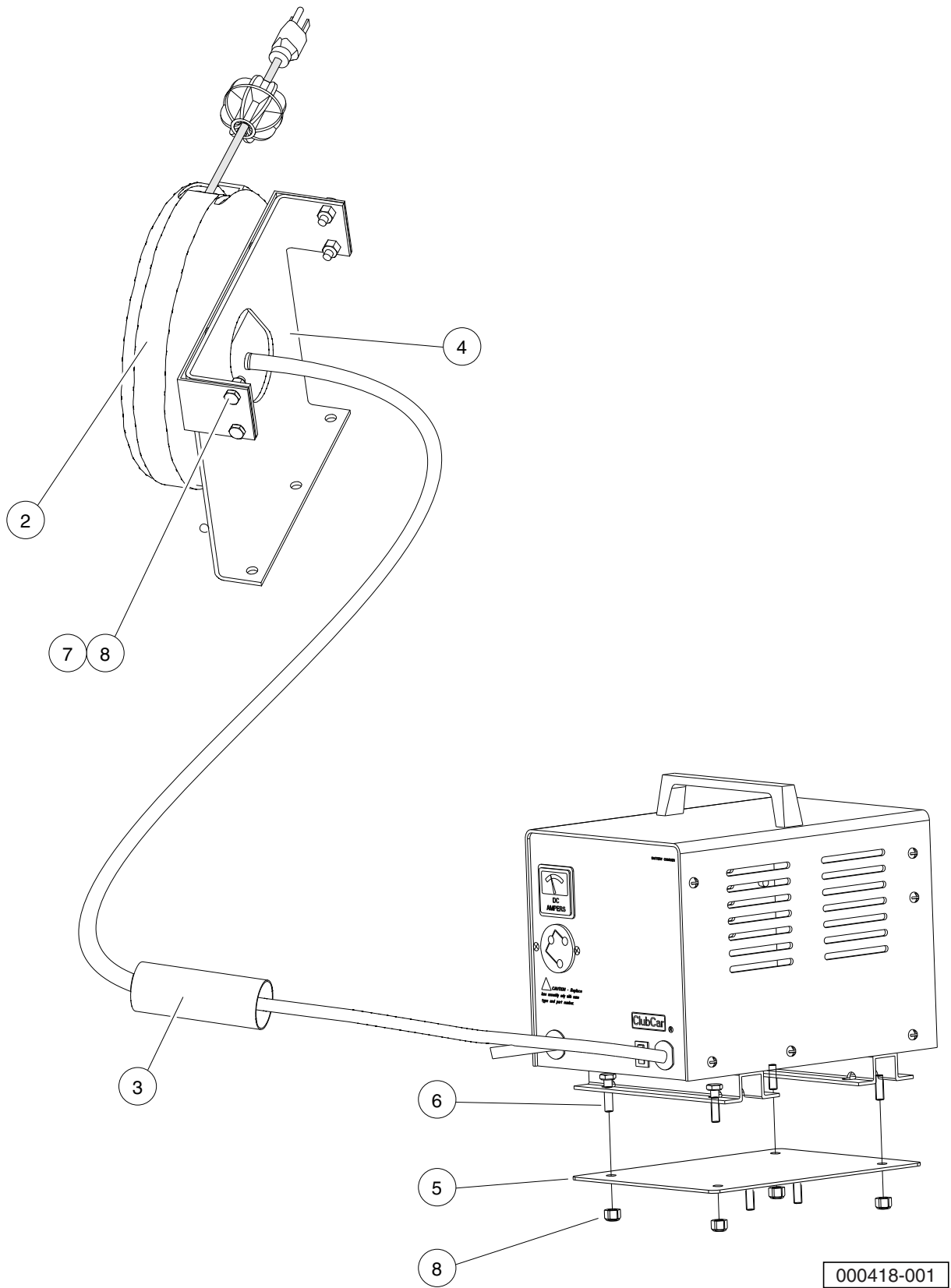
ITEM	PART NO.	DESCRIPTION	QTY
		1 2 3 4	
1	N/A	Battery Charger, Onboard, 120-VAC, 48-VDC (includes items 2 through 19)	1
2	1012098	Bushing, DC Cord	1
3	1012101	Fuse Assembly	1
4	1015914	Rectifier with Heatsink Assembly	1
5	1015917	Bushing, AC Cord	1
6	101828501	Ammeter	1
7	101829001	Cord, AC, 22-Inch (56 cm)	1
8	101831101	Wire Assembly Kit	1
9	****	Mounting Bracket, Relay	1
10	N/A	Control Board	1
11	101914401	Assembly, Voltage Suppressor	1
12	102275401	Relay, 48-VDC	1
13	102838101	Circuit Breaker 250vac-50vdc	1
14	N/A	Transformer, Battery Charger	1
15	102940801	Cord, Dc	1
16	N/A	Case, Battery Charger	1
17	N/A	Screw, #10 X 0.50 Phillips Pan-Head	12
18	7847	Screw, 1/4-20 X 0.75 Hex-Head Cap	4
19	8233	Locknut, 1/4-20 Nylon Insert	4
**** Special order item available upon request.			

17

E

17

E



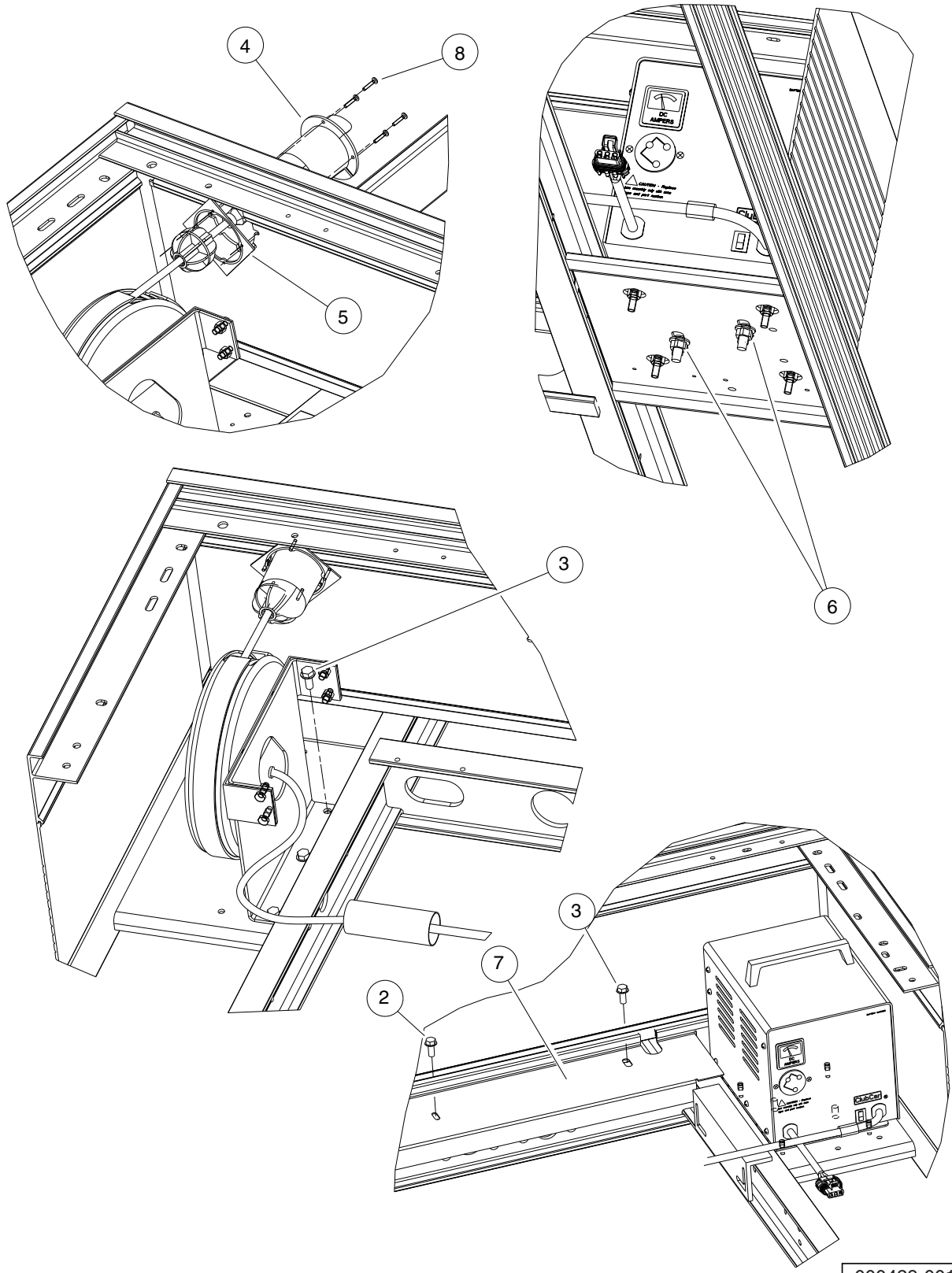
000418-001

ONBOARD CHARGER (MODELS 25260 AND 25660) AND REEL MOUNTING

ITEM	PART NO.	DESCRIPTION	QTY
		1 2 3 4	
1	N/A	Installation, Onboard IQ Plus Charger (includes items 2 through 8)	1
2	1017187	Retractable Cord Reel	1
3	1017189	Heat Shrink Tube 1.5" X 3"	1
4	102770701	Bracket, Reel, Tabbed	1
5	102942601	Asm, Plate, Charger Mounting	1
6	304	Screw, 1/4-20 X 1.0 Hex-Head Cap	4
7	7847	Screw, 1/4-20 X 0.75 Hex-Head Cap	4
8	8233	Locknut, 1/4-20 Nylon Insert	8

17

E



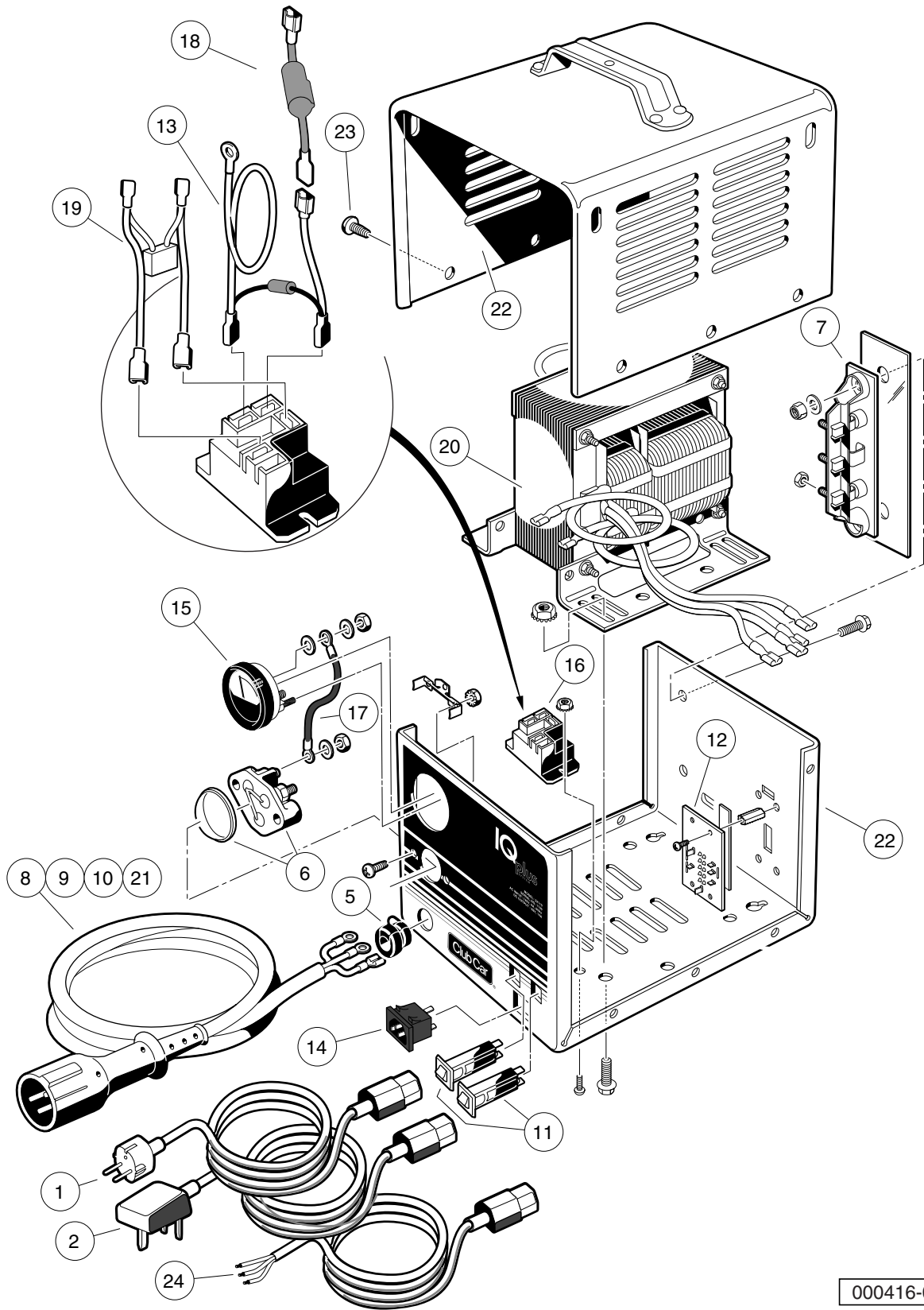
000429-001

IQ PLUS ONBOARD CHARGER (MODEL 25260) MOUNTING

ITEM	PART NO.	DESCRIPTION	QTY
		1 2 3 4	
1	N/A	Installation, Charger System, HDIQ CA 6 (includes items 2 through 8)	1
2	1014063	Screw, 1/4-20 X 1.00 Hex Head	1
3	1014288	Screw, 5/16-18 X 0.75 Thread-Forming	4
4	1016673	Housing, Cord Reel	1
5	101801001	Plate, Receptacle Backing	1
6	101832901	Nut, M10-1.25 Hex Flange	2
7	103352701	Asm, Shield, Iq Plus Ob Chgr,	1
8	8796	Screw, #7-19 X 0.75 Pan-Head Type AB	4

17

E



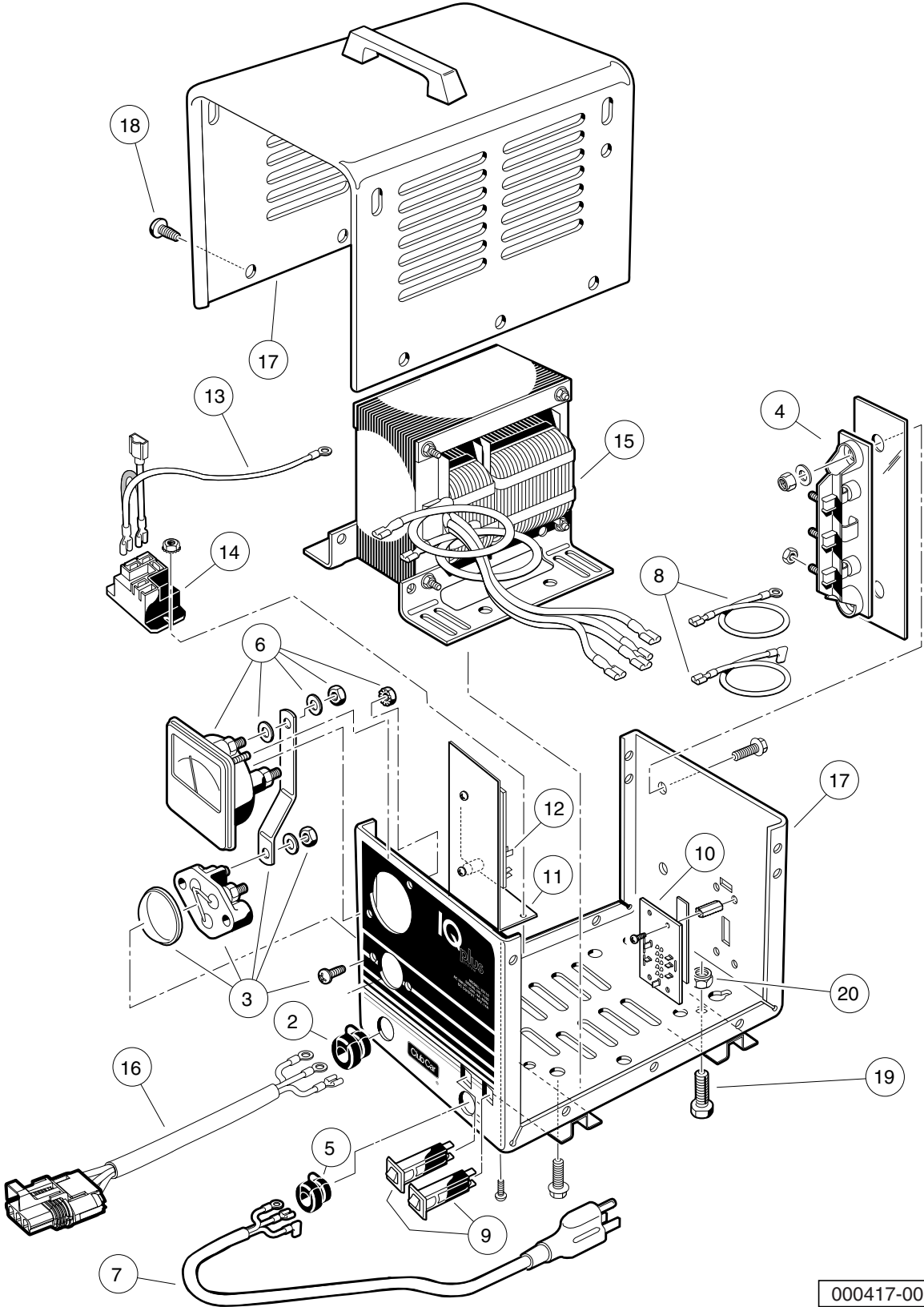
000416-001

IQ PLUS BATTERY CHARGER (MODEL 25880), EXPORT AND EUROPEAN

17

E

ITEM	PART NO.	DESCRIPTION	QTY
		1 2 3 4	
1	101958201	Cord, UK, AC, Battery Charger	1
2	101958301	Cord, European AC, Battery Charger	1
3	102892901	Charger, Export and European	1
4	102892902	Charger, Export and European (includes items 5 through 23)	1
5	1012098	Bushing, DC Cord	1
6	1012101	Fuse Assembly	1
7	1015914	Rectifier with Heatsink Assembly	1
8	101828901	Cord, DC, 113-Inch (287 cm)	1
9	101828902	Cord, DC, 154-Inch (391 cm)	1
10	101828903	Cord, DC, 250-Inch (635 cm)	1
11	101838401	Circuit Breaker	2
12	101838601	Four-Position Switch	1
13	101914401	Assembly, Voltage Suppressor	1
14	101973501	Receptacle, AC Cord	1
15	N/A	Ammeter with Mounting Bracket	1
16	102275401	Relay, 48-VDC	1
17	N/A	Wire, Jumper	1
18	****	Limiters, Current	1
19	****	Wire Assembly, Battery Charger	1
20	****	Transformer, Battery Charger	1
21	102940801	Cord, Dc	1
22	N/A	Case, Battery Charger	1
23	N/A	Screw, #10 X 0.50 Phillips Pan-Head	10
24	102939501	Cord, European AC, Battery Charger	1
		**** Special order item available upon request.	



000417-001

IQ PLUS ONBOARD BATTERY CHARGER (MODEL 25660), EXPORT

ITEM	PART NO.	DESCRIPTION	QTY
		1 2 3 4	
1	N/A	Battery Charger, Onboard, International, IQ Plus (includes items 2 through 20)	1
2	1012098	Bushing, DC Cord	1
3	1012101	Fuse Assembly	1
4	1015914	Rectifier with Heatsink Assembly	1
5	1015917	Bushing, AC Cord	1
6	101828501	Ammeter	1
7	101829001	Cord, AC, 22-Inch (56 cm)	1
8	101831101	Wire Assembly Kit	1
9	101838401	Circuit Breaker	2
10	101838601	Four-Position Switch	1
11	****	Mounting Bracket, Relay	1
12	N/A	Control Board	1
13	101914401	Assembly, Voltage Suppressor	1
14	102275401	Relay, 48-VDC	1
15	****	Transformer, Battery Charger	1
16	102940801	Cord, Dc	1
17	N/A	Case, Battery Charger	1
18	N/A	Screw, #10 X 0.50 Phillips Pan-Head	12
19	7847	Screw, 1/4-20 X 0.75 Hex-Head Cap	4
20	8233	Locknut, 1/4-20 Nylon Insert	4
		**** Special order item available upon request.	

17

E

MAINTENANCE AND SERVICE TOOLS

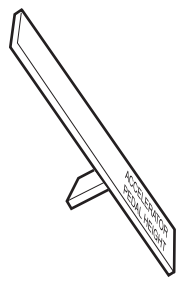
18

G

E

D

18
G
E
D



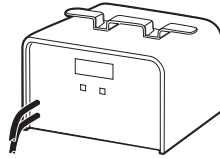
1



2



3



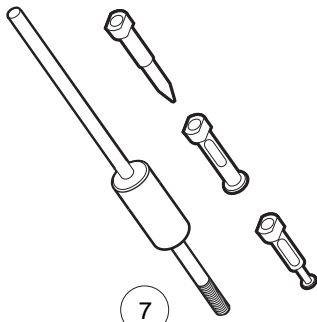
4



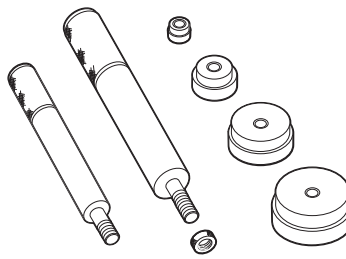
5



6



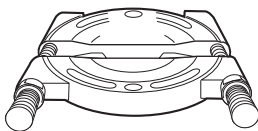
7



8



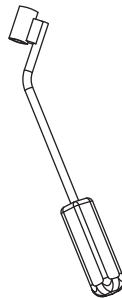
9



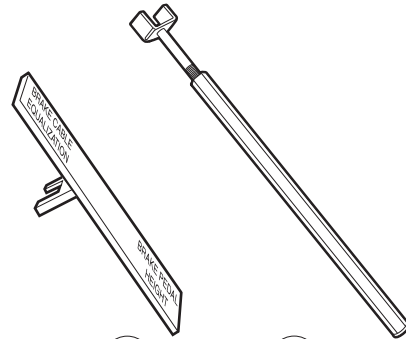
10



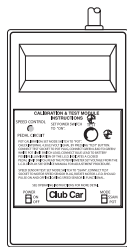
11



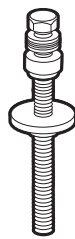
12



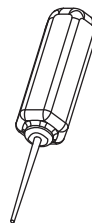
14 15
13



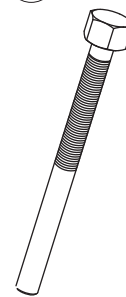
16



17



18



19

MAINTENANCE AND SERVICE TOOLS

ITEM	PART NO.	DESCRIPTION	QTY DIESEL	QTY GAS	QTY ELEC
		<p style="text-align: center;">1 2 3 4</p> <p>The following tool list includes all tools available from Club Car for maintenance and service procedures for gasoline, electric, and/or diesel vehicles, both past and present models. Be sure to carefully examine the tool list for applicability to your vehicle before ordering.</p>			
1	101871001	Accelerator Pedal Adjustment Tool		1	1
2	101813202	Adhesive, Guide Ring, 3-Gram Tube			1
3	101641202	Arbor		1	
4	101831901	Battery Discharge Machine, 36/48 Volt			1
5	1014305	Battery Terminal Protector Spray	1	1	1
6	1011767	Battery Thermometer	1	1	1
7	1016417	Bearing and Oil Seal Remover Assembly	1	1	1
8	1016416	Bearing Driver Set	1	1	1
9	1012811	Bearing Puller	1	1	1
10	1012812	Bearing Puller Wedge Attachment	1	1	1
11	1013582	Brake Adjustment Tool (used only on vehicles with manually adjusted mechanical brakes)		1	1
12	102555501	Brake Cable Release Tool	1	1	1
13	102249901	Brake Pedal Adjustment Tool Kit (used for the Carryall Electric Industrial Truck only) (includes items 14 and 15).....			1
14	****	Brake Pedal Adjustment Tool			1
15	****	Brake Pedal Tension Tool			1
16	101887101	Calibration Test Module			1
17	101808401	Cam Installation Tool		1	
18	102562401	Charger Bezel Tool			1
19	102686101	Clutch Removal Tool (for 4x4 vehicles)	1	1	
		Please refer to the maintenance and service manual for proper tool application.			
	****	Special order item available upon request			

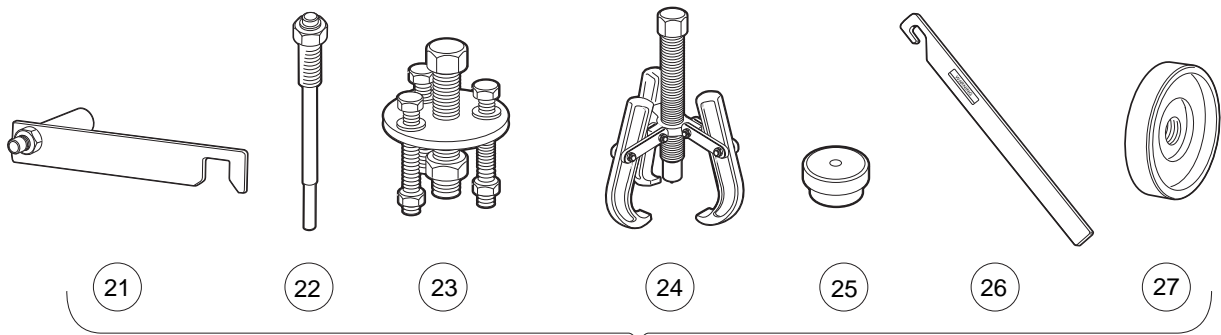
18

G

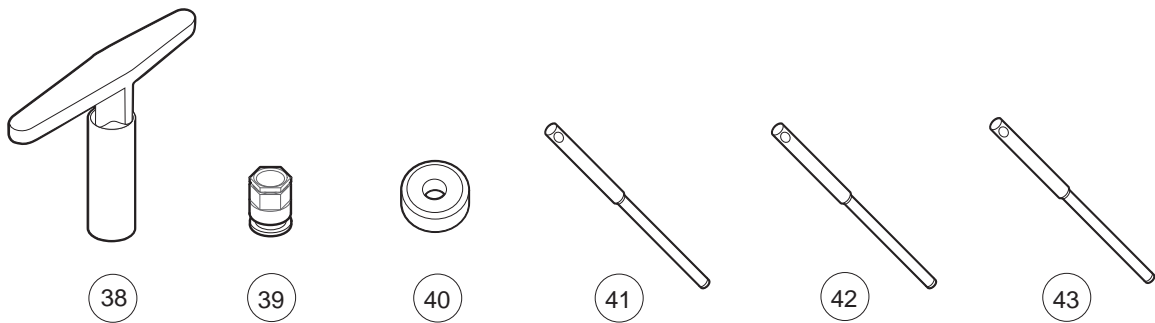
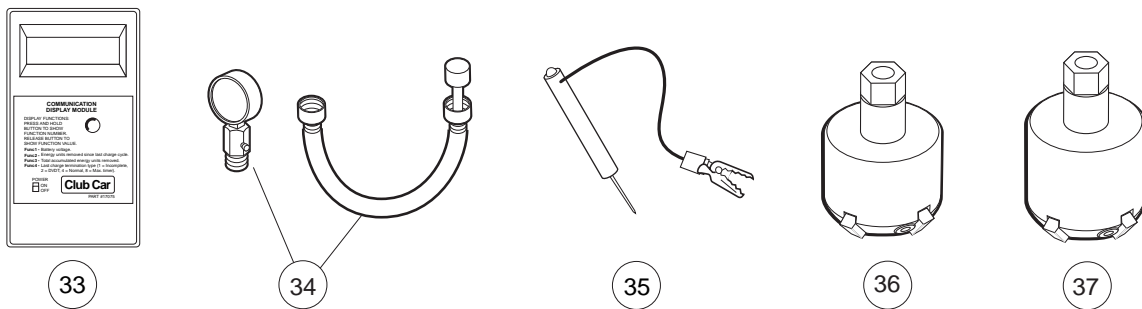
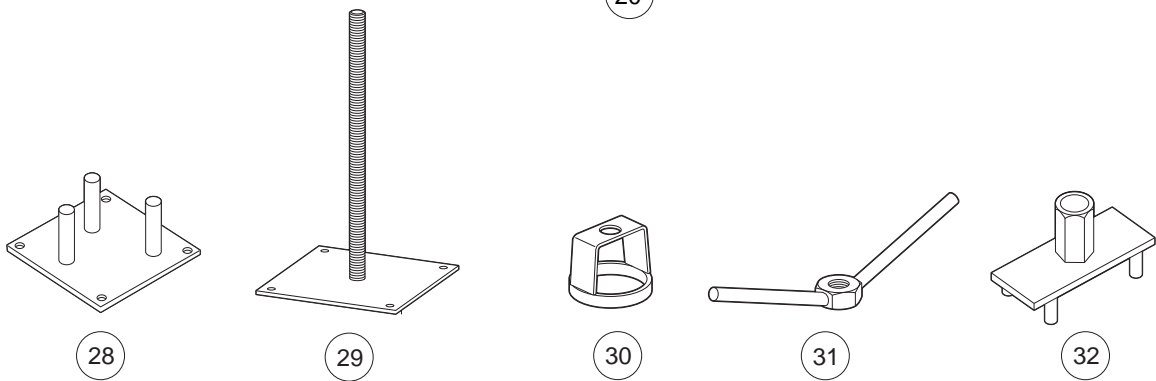
E

D

18
G
E
D



20



MAINTENANCE AND SERVICE TOOLS, CONTINUED

ITEM	PART NO.	DESCRIPTION	QTY DIESEL	QTY GAS	QTY ELEC
		1 2 3 4			
20	1014510	Clutch Tool Kit (includes items 21 - 27)		1	
21	1014498	Clutch Alignment Tool (for pre-unitized transaxle vehicles built prior to 1997 model year)		1	
22	1014496	Drive Clutch Puller (for Kawasaki engines only)		1	
23	1014497	Drive Clutch Hub Puller (for Kawasaki engines only)		1	
24	1014508	Driven Clutch Cam Puller (for Kawasaki engines only)		1	
25	1014507	Driven Clutch Puller Plug (for Kawasaki engines only)		1	
26	1015524	Drive Clutch Holder Tool Assembly (for Kawasaki engines only)		1	
27	101809101	Press Weldment (for Kawasaki engines only)		1	
28	102601501	Drive ClutchFixed Sheave Tool (for 4x4 vehicles)	1	1	
29	102603501	Driven Clutch Spring Compression Base (for use with items 30 and 31) (for 4x4 vehicles)	1	1	
30	102605201	Driven Clutch Spring Compression Collar (for use with items 29 and 31) (for 4x4 vehicles)	1	1	
31	102606101	Driven Clutch Spring Compression Nut (for use with items 29 and 30) (for 4x4 vehicles)	1	1	
32	102607501	Drive Clutch Spider Removal Tool (for 4x4 vehicles)	1	1	
33	101831801	Communication Display Module			1
34	101641002	Compression Gauge and Adapter		1	
35	1011273	Continuity Tester		1	1
36	102773801	Cutter, Valve Seat, #122		1	
37	102773901	Cutter, Valve Seat #115		1	
38	102774101	Wrench, T, #505.....		1	
39	102774101	Adapter, T-Wrench.....		1	
40	102675401	Cutter, Valve Seat, 60 Degree (requires item 51) (for Honda GX620 Gasoline Engines)		1	
41	102774201	Pilot, 6.6 MM		1	
42	102774301	Pilot, 6.62 MM.....		1	
43	102774401	Pilot, 6.65 MM.....		1	
		Please refer to the maintenance and service manual for proper tool application.			

18

G

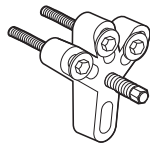
E

D

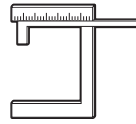
18
G
E
D



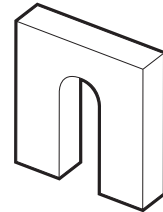
44



45



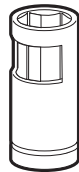
46



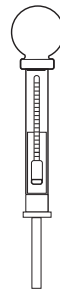
47



48



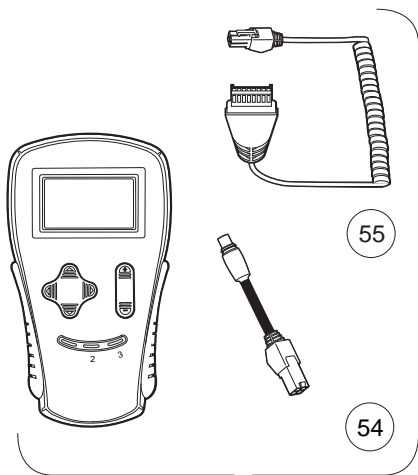
49



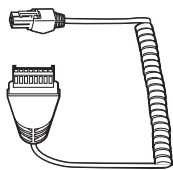
50



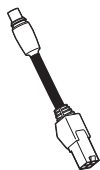
51



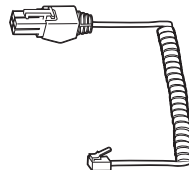
52 53



55



54



56



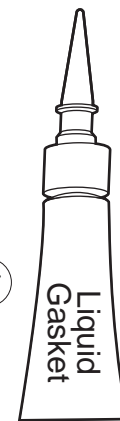
58



59 60



61

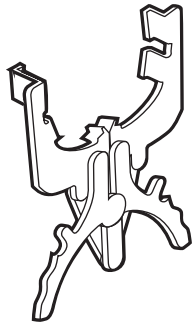


57

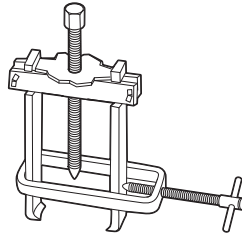
18
G
E
D



62



63



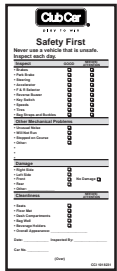
64



65



66



67



68



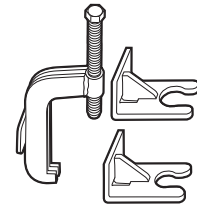
69



70



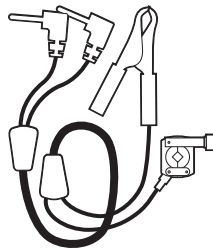
71



72



73



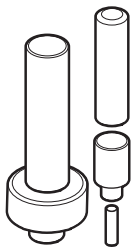
74



75



76



77



83



84



85



86

MAINTENANCE AND SERVICE TOOLS, CONTINUED

ITEM	PART NO.	DESCRIPTION	QTY DIESEL	QTY GAS	QTY ELEC
		1 2 3 4			
62	1016414	Piston Ring Compressor Kit (FE290, FE350 and FE400 engines)		1	
63	1016415	Piston Ring Pliers (for Kawasaki Engines)		1	
64	102668801	Puller, Special Use (for Kubota D722 Diesel Engines)	1		
65	1012549	Retaining Ring Pliers, 45° External	1	1	1
66	1012560	Retaining Ring Pliers, 90° Internal	1	1	1
67	101823101	Safety First Card (50 per pack)	1	1	1
68	1012809	Seal Puller	1	1	1
69	102330901	Spanner Wrench (for coil over shock front suspension vehicles only)	1	1	
70	1014264	Steering Column Bearing Press Tool		1	1
71	1014259	Steering Column Retaining Ring Tool		1	1
72	102061201	Steering Wheel Puller Tool	1	1	1
73	AM10753	Tachometer (includes gasoline engine pick up lead only)	1	1	
74	AM10771	Tachometer Diesel Probe (for use with item 73)	1		
75	1014162	Transaxle Axle Seal Tool		1	
76	1014161	Transaxle Pinion Seal Tool		1	
77	1014115	Transmission Tool Kit		1	
78	101611003	Tune-Up Kit, All OHV (for FE290, FE350, FE400 only) (includes air filter, spark plug, oil filter, fuel filters) (not shown)		1	
79	AM11804	Tune-Up Kit, Gx620 (for Honda Engines) (includes air filter, spark plug, oil filter, fuel filters) (not shown)		1	
80	AM11805	Tune-Up Kit, D722 (for Kubota Engines) (includes air filter, oil filter, fuel filters, water separator filter) (not shown)	1		
81	AM1220301	Tune-Up Kit, Precedent (for FE290/350 Engines) (includes air filter, spark plug, oil filter, fuel filters) (not shown)		1	
82	AM1232401	Tune-Up Kit, FH680D (for Kawasaki V-Twin Engines) (includes oil filter, fuel filter, air filter, and spark plugs) (not shown)		1	
83	1016413	Valve Clearance Adjuster Screw Holder (for FE290 engines only)		1	
84	102674601	Valve Guide Driver (for Honda GX620 Gasoline Engines)		1	
85	101641201	Valve Guide Reamer (FE290, FE350, and FE400 only)		1	
86	102674401	Valve Guide Reamer, 6.6 mm (for Honda GX620 Gasoline Engines)		1	

18

G

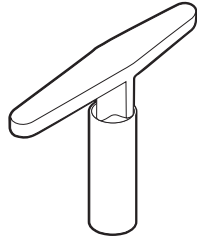
E

D

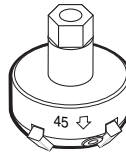
18
G
E
D



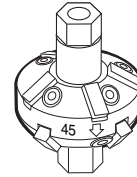
87



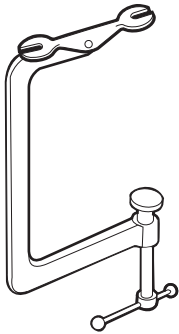
88



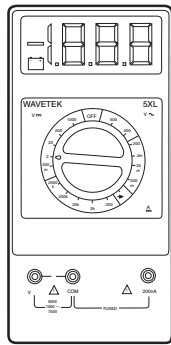
89



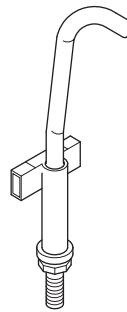
90



91



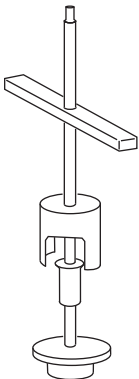
92



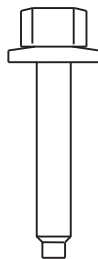
93



94



95



96

MAINTENANCE AND SERVICE TOOLS, CONTINUED

ITEM	PART NO.	DESCRIPTION	QTY DIESEL	QTY GAS	QTY ELEC
		1 2 3 4			
87	1016552	Valve Seat Cutter Guide		1	
88	1016551	Valve Seat Cutter T-Wrench		1	
89	1016553	Valve Seat Cutter, 45° (32 mm diameter) (for FE290 engines only)		1	
90	1016554	Valve Seat Cutter, 45°/30° (35 mm diameter)		1	
91	101641101	Valve Spring Compressor		1	
92	1011480	Volt Ohm Meter	1	1	1
93	102570401	Tool, Tensioning, Starter Generator (For Precedent vehicles)		1	
94	103601401	Puller, Drive Clutch, XRT 950*		1	
95	103601701	Tool, Disassembly, Driven Clutch, XRT 950		1	
96	103600501	Screw, Driven Clutch Disassembly, M6, XRT 950		1	
		<p>*Note: The XRT 950 Drive Clutch Puller requires the use of Screw, Driven Clutch Disassembly, CCI Part Number 103600501.</p>			

18

G

E

D

INDEX

Part Number and Page

AM10753	18-9	8057	6-15, 6-21, 6-31, 13-9, 14-25	1011394	1-3
AM10771	18-9	8058	6-15, 6-21, 6-31, 13-9, 14-25	1011402	4-5, 4-7
AM10080	13-5	8067	5-17	1011415	5-21, 5-23
AM10081	13-5	8104	13-9	1011418	4-5, 4-7
AM10419	12-7	8233	1-17, 1-21, 1-23, 4-19, 4-21, 5-25, 6-11, 6-33, 13-3, 13-11, 14-3, 17-5, 17-7, 17-13	1011439	6-23, 14-13
AM10724	8-5, 9-5	8248	6-33	101146302	4-3, 4-9
AM1232301	7-7	8251	1-13	1011464	4-3, 4-9
183	6-11, 6-15, 10-5, 10-17, 10-19, 12-3, 13-3	8450	6-15, 12-3	1011465	4-3, 4-9
304	6-11, 13-11, 14-3, 17-7	8639	10-17, 10-21, 13-11, 14-7	1011466	4-3, 4-9
320	4-13, 4-15	8717	4-19, 4-21, 6-15, 6-21, 13-3, 13-9	1011467	4-3, 4-9
332	1-9, 1-21, 1-23, 6-11, 6-33, 10-15, 11-3, 14-3	8754	1-21, 4-13, 4-15, 4-19, 4-21, 5-3, 5-9, 5-11, 5-13, 5-15, 5-19, 5-21, 5-23, 6-27	1011478	18-7
334	4-19, 4-21, 5-3, 5-9, 5-19, 7-15, 8-15, 9-15	8755	1-21, 5-13, 5-15, 5-21	1011480	18-11
357	5-13, 5-15, 5-25	8796	17-9	1011557	6-23, 14-13
403	1-17	8797	10-5, 10-19	1011578	5-3
451	4-3, 4-9, 11-3, 15-3	8861	5-25	1011582	6-31, 14-23
705	1-21, 6-27, 7-15, 8-15, 9-15	8990	5-9, 5-19, 6-11, 6-15, 6-21, 14-3, 14-17, 14-19	1011694	4-19, 4-21
706	5-13, 5-15	1010005	5-17	1011697	1-23, 5-3, 7-15, 8-15, 9-15, 10-13
808	5-25, 12-3	1010028	13-9	1011700	4-19, 4-21
1016	6-11, 6-15, 10-5, 10-19	1010124	5-13, 5-15	1011734	4-23
1017	6-13, 6-15, 14-9	1010138	5-11	1011767	18-3
1028	4-5, 4-7	1010145	5-21, 5-23	1011779	4-11, 4-17
1032	4-5, 4-7	1010150	5-13, 5-15	1011825	6-11, 14-3
1035	5-9	1010200	5-15	101187702	4-5, 4-7
1241	1-3, 1-19, 4-5, 4-7, 4-17, 4-19, 4-21, 6-15, 6-21, 6-23, 6-27, 6-29, 11-3, 13-11, 14-13	1010434	1-3, 10-3	1011887	5-17
1242	4-11, 4-17, 5-25, 6-15, 6-21, 6-27	1010435	1-3, 1-15, 1-19	1011930	5-9
1624	4-19, 4-21, 5-9, 5-19	1010543	1-9	1011931	4-19, 4-21
1631	10-17	1010546	1-3	1012098	17-3, 17-5, 17-11, 17-13
2402	5-11, 5-13, 5-15	1010577	7-15, 8-15, 9-15	1012101	17-3, 17-5, 17-11, 17-13
4029	6-11, 14-3	1010805	4-5, 4-7	1012126	14-21
7048	5-17	1010829	4-11, 4-17	1012151	18-7
7173	5-25, 6-23, 6-29, 13-11, 14-13	1010850	4-3, 4-9	1012180	5-21
7174	5-3, 5-25, 6-27, 10-13, 11-3, 15-3	1010877	4-5, 4-7	1012181	5-23
7251	1-3	1010878	1-21, 4-5, 4-7	1012182	5-23
7270	5-13	101090801	14-27, 14-29	1012285	1-17, 1-23, 10-7, 10-13, 10-21
7310	2-3	1010909	6-11	1012295	6-15, 6-21
7311	5-25	1010921	4-5, 4-7	1012303	1-21, 5-13, 5-15, 5-21, 5-23
7330	13-7, 16-3	1010927	4-5, 4-7	1012304	5-21
7335	13-5, 16-3	1010932	4-5, 4-7	1012333	13-11
7336	16-3	1010933	4-5, 4-7	1012431	6-15, 6-21, 6-31, 14-25
7473	1-3, 1-15, 1-19, 1-23, 4-5, 4-7, 4-11, 4-17, 4-19, 4-21, 6-11, 6-15, 6-21, 6-23, 6-29, 14-13	1010934	1-19, 6-29, 15-3	1012438	10-17
7540	5-9	1010954	6-15, 6-21, 13-3	1012467	5-9
7555	5-9, 5-19	1010984	2-3	1012505	6-17, 6-19, 14-11
7591	6-11, 14-3	1011014	1-3	1012528	11-3, 14-17
7602	5-9	1011017	1-3	1012549	18-9
7716	4-5, 4-7, 4-19, 4-21	1011084	4-23	1012560	18-9
7818	6-15, 6-21	1011114	4-3, 4-9	1012565	5-5
7820	6-11, 14-3	1011137	4-9	1012566	5-5
7840	5-17	1011229	6-11, 6-31, 14-3, 14-25	1012571	7-15, 8-15, 9-15, 14-27, 14-29
7847	1-7, 1-23, 11-3, 17-5, 17-7, 17-13	1011273	18-5	1012604	5-3
7893	6-11, 6-15, 6-21, 13-11	1011280	6-23, 14-13	1012605	5-3
7910	5-17	1011291	13-7	1012649	10-7, 10-21
7973	1-5, 10-17	1011303	4-3, 4-9	1012711	13-3
8056	6-31, 14-25	1011393	5-17	1012714	13-5

INDEX

1012748	13-5	1014007	4-19, 4-21, 13-3	101503202	1-5
1012752	13-3	1014049	12-3	1015072	14-27, 14-29
1012809	18-9	1014050	12-3	1015075	1-3
1012811	18-3	1014052	12-3	1015137	10-7, 10-11, 10-25
1012812	18-3	1014055	12-3	1015139	10-5, 10-17
1012830	6-27, 10-13, 11-3	1014056	12-3	1015143	10-5
1012836	12-7	1014057	12-3	101524002	6-27
1012896	13-3	1014058	12-3	1015332	7-5, 8-3, 9-3
1013001	6-25	1014059	12-3	1015345	6-15, 6-21
1013003	6-25	1014062	12-3	1015371	6-21
1013005	6-25	1014063	12-3, 17-9	1015372	6-15, 6-21
101301102	6-25	1014065	6-15, 6-21, 12-3	1015373	6-15, 6-21
1013035	5-9, 5-19	1014070	12-7	1015399	1-19
1013042	5-9, 5-11, 5-19	1014072	12-7	1015405	1-3, 6-15, 6-21
1013044	5-9, 5-19	1014078	12-7	1015426	10-15
1013051	5-9, 5-19	1014080	12-7	1015453	5-25
1013052	5-9, 5-19	1014115	18-9	1015457	5-25
1013061	13-3, 13-9, 14-21	1014116	10-7, 10-21	101547601	3-7
101313402	10-21	1014119	6-15	1015507	1-21
1013207	5-21	1014125	5-3	1015524	18-5
1013280	1-17	1014126	5-3	1015528	6-17, 6-19, 14-11
1013309	1-9	1014145	6-15, 6-21	1015530	1-23
1013311	1-9	1014153	4-3, 4-9	101553901	3-3, 3-7
1013312	1-9	1014161	18-9	1015583	1-21, 5-13, 5-15, 5-21, 5-23
1013343	1-5	1014162	18-9	1015597	5-9, 5-17
1013344	1-5	1014201	15-3	1015613	5-25
1013357	6-11, 14-3, 14-19	1014207	13-7	1015614	5-25
1013413	1-21	1014213	5-3	101564501	1-9
1013422	1-7	1014214	5-3	101564502	1-9
1013461	6-13, 10-5, 10-19, 14-9	1014217	5-3	101564503	1-9
1013462	10-5, 10-19	1014259	18-9	101564505	1-9
1013494	6-17, 6-19, 14-11	1014264	18-9	1015649	7-5, 8-3, 9-3
1013531	4-17	1014276	5-13, 5-15	101570514	2-3
1013582	18-3	1014287	12-3	1015707	2-3
1013589	6-15, 6-21	1014288	5-3, 6-29, 12-3, 17-9	1015720	6-11, 6-31, 14-17, 14-25
1013593	18-7	1014289	6-25	1015737	6-15
1013609	6-15, 6-21	1014305	18-3	1015741	6-15, 6-21
1013687	10-7, 10-21	1014306	1-23	1015752	6-15, 6-21, 6-31, 10-15, 14-15, 14-23
1013700	10-13	1014321	1-13	1015760	5-25
1013734	11-3, 14-17	1014375	6-29	1015814	11-3
1013746	10-7, 10-11, 10-21, 10-25	1014387	1-13	101584502	10-13
1013760	13-3	1014453	12-3	1015878	6-15, 6-21, 13-9
1013769	13-7	1014454	12-7	1015914	17-3, 17-5, 17-11, 17-13
1013770	13-7	1014471	1-15, 1-19	1015917	17-3, 17-5, 17-13
1013771	13-7	1014496	18-5	1015932	6-27
1013773	13-7	1014497	18-5	1015969	7-5, 8-3, 9-3
1013774	13-7	1014498	18-5	1016074	6-27
1013787	13-7	1014507	18-5	1016077	1-19
1013792	13-7	1014508	18-5	101609401	3-3, 3-7
1013794	13-7, 16-3	1014510	18-5	101611003	18-9
1013869	4-5, 4-7	1014555	5-21, 5-23	1016154	5-5
1013870	4-5, 4-7	1014771	2-3	101615504	5-7
1013871	4-19, 4-21	1014807	6-15, 6-21, 13-9	1016156	5-5, 5-7
1013872	1-21	1014808	6-21, 13-9	1016183	5-3
1013876	4-5, 4-7	1014902	5-23	1016201	12-3
1013924	4-3, 4-9, 7-15, 8-15, 9-15	1014948	6-15, 6-21	1016219	5-5

INDEX

1016269	5-3	1016480	10-11	1016582	10-11, 10-25
1016289	12-3	101648102	10-11, 10-25	1016583	7-9, 8-9, 9-9
1016337	13-5	101648203	7-3, 8-7, 9-7	1016584	7-11, 8-11, 9-11
1016338	13-5	1016483	7-9, 8-9, 9-9	1016585	10-9
1016346	5-11	1016486	10-9	1016586	8-5, 9-5
1016349	5-11	1016489	7-9, 8-9, 9-9	1016587	7-7, 8-5, 9-5
1016350	5-11	101649002	10-11, 10-25	1016588	7-7, 8-5, 9-5
1016353	5-11	1016494	7-11, 8-11, 9-11	1016627	18-7
1016356	6-11, 14-3, 14-19	1016496	7-11, 8-11, 9-11	1016630	6-17, 6-19
1016379	1-23	1016497	8-5, 9-5	1016663	5-5, 5-7
1016384	5-13, 5-15	1016499	10-9	1016672	13-7
1016385	5-11	1016501	10-9	1016673	17-9
1016386	5-13, 5-15	1016502	7-3, 8-7, 9-7	1016679	1-23
1016387	5-13, 5-15	1016506	7-11, 8-11, 9-11	1016717	6-31, 14-23
1016389	5-13, 5-15	1016507	7-5, 8-3, 9-3	1016718	1-17
101641002	18-5	1016510	7-11, 8-11, 9-11	101674702	4-23
101641101	18-11	1016513	13-3	1016751	1-11
101641201	18-9	101651406	2-3	101677701	1-11
101641202	18-3	101651414	2-3	101677702	1-11
1016413	18-9	1016517	7-9, 8-9, 9-9	101677703	1-11
1016414	18-9	1016518	8-9, 9-9	101677705	1-11
1016415	18-9	1016519	8-9, 9-9	1016801	12-3
1016416	18-3	1016521	7-11, 8-11, 9-11	1016813	5-25
1016417	18-3	1016531	7-5, 8-3, 9-3	1016814	5-25
1016418	18-7	1016535	7-11, 8-11, 9-11	1016849	6-17, 6-19, 6-31, 14-11, 14-25
1016423	6-15, 6-21	1016537	7-3, 8-7, 9-7	1016851	6-17, 6-19, 6-31, 14-11, 14-25
101642575	10-9, 10-23	1016538	7-11, 8-11, 9-11	1016859	6-31, 14-25
101642578	10-9, 10-23	1016539	7-5, 8-3, 9-3	1016868	1-3
101642580	10-9, 10-23	1016541	7-13, 8-13, 9-13	1016874	1-23
101642582	10-9, 10-23	1016542	7-9	1016875	1-23
101642585	10-9	1016544	7-7, 7-9, 7-11, 8-5, 8-9, 8-11, 9-5, 9-9, 9-11	1016876	1-23
1016429	7-3, 8-7, 9-7	1016545	7-9	1016878	1-15, 1-19
1016432	7-3, 8-7, 9-7, 13-3	1016546	10-13	1016879	6-13, 14-9
1016436	7-9, 8-9, 9-9	1016547	7-5, 8-3, 8-13, 9-3, 9-13, 10-11, 10-25	1016880	6-13, 14-9
1016437	10-9	1016549	7-9, 8-9, 9-9	1016881	1-15, 1-19
1016438	10-11, 10-25	1016551	18-11	1016883	6-27
1016440	7-9, 8-9, 9-9, 10-11, 10-25	1016552	18-11	101689101	1-19
1016441	10-11, 10-25	1016553	18-11	1016901	12-3
1016444	10-11, 10-25	1016554	18-11	1016904	7-9, 8-9, 9-9, 11-3
1016445	8-5, 9-5	1016557	4-3, 4-9	101691401	1-15, 1-17, 1-19
1016449	7-9, 8-9, 9-9	1016560	8-9, 9-9	1016920	1-17
1016450	7-9, 8-9, 9-9	1016561	7-7, 8-5, 9-5	101692501	1-3
1016451	7-9	1016562	7-7, 7-13, 8-5, 8-13, 9-5, 9-13	101692502	1-3
1016452	7-9, 8-9, 9-9	1016563	7-9, 8-9, 9-9	101692506	1-3
1016453	7-11	1016564	7-11, 8-11, 9-11	101692509	1-3
1016454	7-11, 8-11, 9-11	1016566	7-9, 8-9, 9-9	101692510	1-3
1016455	7-7, 8-5, 9-5	1016569	7-9, 8-9, 9-9	101692511	1-3
1016456	7-5, 8-3, 8-5, 9-3, 9-5	1016570	7-3, 8-7, 9-7	101692512	1-3
1016457	7-3, 8-7, 9-7	1016571	7-13, 8-13, 9-13	101692513	1-3
1016458	7-9, 8-9, 9-9	1016572	10-11, 10-25	101692514	1-3
1016467	7-3, 8-7, 9-7	1016573	4-3, 4-9	101692515	1-3
1016470	7-13, 8-13, 9-13	1016576	7-3, 8-7, 9-7	101693201	3-9
1016472	7-11, 8-11, 9-11	1016578	8-5, 9-5	101693901	1-3
1016473	7-3, 8-7, 9-7	1016579	8-5, 9-5	101693902	1-3
1016474	7-9, 8-9, 9-9	1016581	7-3, 8-7, 9-7	101693906	1-3
1016479	7-9, 8-9, 9-9			101693909	1-3

INDEX

101693910	1-3	1017456	7-3, 8-7, 9-7	101811901	10-15
101693911	1-3	101745701	7-13, 8-13, 9-13	101812301	10-15
101693912	1-3	101745702	7-13, 8-13, 9-13	101813001	10-15
101693913	1-3	1017458	7-3, 8-7, 9-7	101813202	18-3
1016943	1-19	1017460	7-3, 8-7, 9-7	101817401	4-19, 4-21
1016944	1-19	1017461	10-9	101818801	4-19
1016948	1-19	1017463	7-7, 8-5, 9-5	101821501	10-15
1016952	1-7	1017466	10-11, 10-25	101823101	18-9
1016954	1-17	1017468	8-5, 9-5	101824401	10-7
1016955	1-17	1017471	7-13, 8-13, 9-13	101825101	3-5, 3-9, 6-19, 14-11
1016967	1-3, 14-19	1017472	7-11, 8-11, 9-11	101825102	3-9, 6-17
1016997	6-15	1017473	7-9, 8-9, 9-9	101825701	10-17
1017029	4-5, 4-7	1017474	7-5, 8-3, 9-3	101826201	14-11
1017062	6-13, 14-9	1017475	7-5, 8-3, 9-3	101826301	6-19
1017064	6-13, 14-9	1017476	7-5, 8-3, 9-3	101826401	6-17
1017065	6-13, 14-9	1017486	7-5, 8-3, 9-3	101827101	7-15, 8-15, 9-15
1017077	1-15, 1-19	1017487	7-11, 8-11, 9-11	101828501	17-3, 17-5, 17-13
1017079	1-23	1017490	7-7, 8-5, 9-5	101828801	17-3
1017080	1-3	1017500	8-3, 9-3	101828802	17-3
1017082	13-3	1017501	7-13, 8-13, 9-13	101828901	17-3, 17-11
1017187	17-7	1017502	7-13, 8-13, 9-13	101828902	17-3, 17-11
1017188	12-5	1017503	7-13, 8-13, 9-13	101828903	17-3, 17-11
1017189	17-7	1017504	7-11, 8-11, 9-11	101829001	17-5, 17-13
1017211	4-11	1017507	7-3, 8-7, 9-7	101830601	6-17, 6-19, 14-11
1017226	5-3	1017508	7-11, 8-11, 9-11	101830701	6-17, 6-19, 14-11
1017231	13-3	1017510	7-13, 8-13, 9-13	101831101	17-3, 17-5, 17-13
1017239	6-15	1017511	8-11	101831401	14-27, 14-29
1017243	6-15	1017512	7-13, 8-13, 9-13	101831801	18-5
1017266	5-11	1017513	7-11, 8-11, 9-11	101831901	18-3
1017273	5-5, 5-7	1017514	7-11, 8-11, 9-11	101832202	10-13
1017313	5-3	101751801	7-11, 8-11, 9-11	101832302	10-13
1017314	5-3	101751802	7-11, 8-11, 9-11	101832601	7-15, 8-15, 9-15
1017315	5-3	101751803	7-11, 8-11, 9-11	101832701	7-15, 8-15, 9-15
1017317	5-3	1017653	6-25	101832901	17-9
101734802	1-3	1017686	12-7	101833101	7-15, 8-15, 9-15
101737002	2-3	1017689	11-3	101833401	12-7
1017378	4-19, 4-21	1017721	6-11	101833601	13-3
1017380	4-19, 4-21	101773301	7-13, 8-13, 9-13	101833904	12-3
101738302	12-3	101773302	7-13, 8-13, 9-13	101834001	12-7
1017424	4-19, 4-21	101773303	7-13, 8-13, 9-13	101834502	6-17, 6-19, 14-11
1017434	7-9, 8-9, 9-9	101773304	7-13, 8-13, 9-13	101834601	7-15, 8-15, 9-15
1017435	8-9, 9-9	101773305	7-13, 8-13, 9-13	101834801	13-3
1017442	7-3, 8-7, 9-7	101773306	7-13, 8-13, 9-13	101836201	12-7
1017444	8-9, 9-9	101773307	7-13, 8-13, 9-13	101837101	10-15
1017445	7-9, 8-9, 9-9	101773308	7-13, 8-13, 9-13	101837301	6-27
1017446	8-9, 9-9	101773309	7-13, 8-13, 9-13	101838401	17-11, 17-13
1017447	8-11, 9-11	101773310	7-13, 8-13, 9-13	101838601	17-11, 17-13
1017448	7-7, 8-5, 9-5	101773311	7-13, 8-13, 9-13	101851101	6-17, 6-19, 14-11
101744901	7-13, 8-13, 9-13	1017853	6-11, 14-3	101856002	14-11
101744902	7-13, 8-13, 9-13	101791101	4-3	101856102	6-15, 6-21
1017450	7-13, 8-13, 9-13	101796201	4-19, 4-21	101859401	11-3
101745101	7-13, 8-13, 9-13	101801001	17-9	101861901	4-19, 4-21
101745102	7-13, 8-13, 9-13	101804301	6-17, 6-19, 10-15, 10-17	101862001	4-21
1017453	7-13, 8-13, 9-13	101808401	18-3	101865301	4-11
1017454	7-9, 8-9, 9-9	101809101	18-5	101869302	6-25
1017455	7-7, 8-5, 9-5	101811301	10-17	101870401	1-3

INDEX

101871001	18-3	101892601	13-5	101928701	13-3, 16-3, 18-7
101874601	4-11	101892701	13-7	101929401	5-21
101874901	6-25	101892901	13-3	101929501	10-7
101875001	6-25	101893201	13-5	101931501	3-5
101875102	6-25	101893801	13-3	101932201	6-23, 14-13
101875201	6-25	101893901	13-5	101933101	18-7
101875301	6-25	101894303	1-9	101933701	10-17
101875401	6-25	101895401	16-3	101935301	4-13, 4-15
101875501	6-25	101895501	16-3	101936801	14-15
101875601	6-25	101896501	6-25	101939901	6-25
101875701	6-25	101897001	16-3	101942301	15-3
101875802	6-25	101897201	16-3	101946201	1-13
101876001	6-25	101897401	16-3	101953103	4-17
101876202	6-25	101897601	16-3	101953106	4-11
101876301	6-25	101898001	6-29	101954301	1-9
101876402	6-25	101903601	16-3	101955001	5-11
101876501	6-25	101903701	16-3	101955101	6-11, 14-3
101877601	6-25	101906901	16-3	101957101	6-23, 14-13
101877701	6-25	101908101	14-21	101958201	17-11
101878101	6-25	101908401	6-33, 14-21	101958301	17-11
101878201	4-5	101909201	8-5, 9-5	101960001	3-3, 3-7
101879001	6-25	101909301	8-5, 9-5	101960501	3-7
101879401	5-9, 5-19	101909401	8-5, 9-5	101963301	1-13
101879501	5-9, 5-19	101914401	6-11, 14-3, 17-3, 17-5, 17-11, 17-13	101963401	1-13, 7-15, 8-15, 9-15, 13-11
101879601	5-9, 5-19	101915201	3-7	101964001	1-13
101879701	5-9, 5-19	101916001	8-13, 9-13	101964601	3-5
101879801	5-9, 5-19	101916101	7-5, 8-3, 9-3	101969701	6-23, 14-13
101879901	5-9, 5-19	101916201	8-5, 9-5	101971301	10-15
101880001	5-9, 5-19	101916301	7-7, 8-5, 9-5	101972001	18-7
101880101	5-9, 5-19	101916701	6-27, 12-3	101972002	18-7
101880201	5-9, 5-19	101917601	10-15	101972003	18-7
101880301	5-9, 5-19	101918402	2-3	101972004	18-7
101881101	8-5, 9-5	101920101	14-15	101972005	18-7
101881701	10-15	101921501	10-15	101972006	18-7
101884801	7-15, 8-15, 9-15	101922101	16-3	101972007	18-7
101886101	13-3	101922201	16-3	101972009	18-7
101887101	18-3	101922501	6-33	101972011	18-7
101887601	7-5, 8-3, 9-3	101923001	16-3	101972012	18-7
101889401	13-5	101923201	16-3	101972101	16-3
101890001	13-5	101923501	16-3	101972201	16-3
101890101	13-3	101923901	16-3	101972801	10-15
101890201	13-3	101925701	10-15	101973101	10-9
101890501	13-3	101926501	5-21	101973301	10-9
101890601	13-3	101926802	10-17	101973401	10-11, 10-25
101890901	13-7	101926901	13-3	101973501	17-11
101891001	13-7	101927101	13-3	101980801	13-5
101891301	13-3	101927201	13-3	101980901	13-5
101891401	13-7	101927301	13-3	101981001	13-5
101891501	13-7	101927501	13-5	101984801	5-3
101891601	13-5	101927601	13-5	101987701	10-21
101891901	13-5	101927701	13-5	101987901	6-13, 14-9
101892001	13-5	101927901	13-5	101988001	6-13, 14-9
101892201	13-5	101928001	13-5	101988002	6-13, 14-9
101892301	13-5	101928101	13-5	101988101	6-13, 14-9
101892401	13-5	101928301	13-7	101988201	6-13, 14-9
101892501	13-5	101928601	13-3	101990801	4-17

INDEX

102002801	14-27, 14-29	102517601	6-23, 14-13	102847802	17-3
102002901	14-27, 14-29	102518001	3-5, 14-11	102847803	17-3
102003201	10-7, 10-21	102519201	3-9	102859501	14-17
102022601	5-11	102522001	10-5, 10-19	102865101	10-7, 10-21
102022602	5-11, 5-19	102526201	13-9	102869401	6-11, 14-3
102025401	4-13, 4-15	102529201	6-23, 14-13	102873401	14-27, 14-29
102026001	4-19, 4-21	102540301	7-15, 8-15, 9-15	102886301	16-3
102031901	13-7	102555501	18-3	102886401	16-3
102061201	18-9	102562401	18-3	102886501	16-3
102065901	1-21, 7-15, 8-15, 9-15	102564002	5-13, 5-15	102886601	16-3
102066001	1-21	102570401	18-11	102891101	5-23
102066201	5-23	102572401	14-11	102892901	17-11
102101001	14-15	102601501	18-5	102892902	17-11
102101101	14-15	102603501	18-5	102912801	14-17
102166901	4-17	102605201	18-5	102915701	14-21
102169401	18-7	102606101	18-5	102917101	5-23
102186401	15-3	102607501	18-5	102938301	14-7
102196901	14-11	102616701	13-9	102938601	15-3
102199001	6-11	102668801	18-9	102938701	15-3
102235201	15-3	102669901	18-7	102938801	15-3
102238001	14-19	102674001	18-5	102938901	15-3
102240501	14-17	102674101	18-5	102939001	15-3
102241501	18-7	102674201	18-5	102939101	15-3
102241502	18-7	102674401	18-9	102939102	15-3
102242101	12-7	102674601	18-9	102939501	17-11
102243402	18-7	102675001	18-5	102940801	17-5, 17-11, 17-13
102243403	15-3	102675101	18-5	102942601	17-7
102248803	18-7	102675201	18-5	102951701	15-3
102249901	18-3	102675301	18-5	102966401	1-13
102251501	18-7	102675401	18-5	102966501	1-13
102259401	1-21	102684501	5-13, 5-15	102966502	1-13
102271601	8-11	102684602	13-9	102967601	3-5
102275401	17-3, 17-5, 17-11, 17-13	102686101	18-3	102969401	13-9
102278001	5-3	102704901	15-3	102969801	13-9
102289201	5-11, 5-19	102711201	6-21	102969901	13-9
102292801	4-11, 4-17	102751601	10-5	102977001	6-17, 6-19
102304801	7-9, 8-9, 9-9	102753401	8-9, 9-9	102977002	14-11
102323101	4-5, 4-7, 4-11, 4-17	102766201	14-27, 14-29	102977901	10-7, 10-21
102323201	4-5, 4-7, 4-11, 4-17	102766301	5-13, 5-15	102978001	10-7, 10-21
102330901	18-9	102769701	14-17	102980801	14-27, 14-29
102336001	10-13	102770701	17-7	102980901	14-27, 14-29
102336101	10-13	102771701	16-3	102989501	1-13
102355301	6-29	102772402	14-19	103010101	10-7
102356601	16-3	102774501	14-17	103173301	13-9
102356801	16-3	102774701	14-17	103174401	10-3
102357001	16-3	102775101	15-3	103177401	13-9
102376001	13-9, 13-11	102817101	14-17	103180101	6-17, 6-19, 14-11
102406701	10-19	102817201	14-17	103192701	13-9
102430901	8-13, 9-13	102830301	14-27, 14-29	103197301	6-5, 6-15
102431001	9-11	102838101	14-21, 17-3, 17-5	103198401	6-33
102440901	14-17	102842401	3-11	103199001	6-17, 6-19
102453001	13-5	102845101	3-3, 14-21	103199101	6-17, 6-19
102453101	13-5	102845203	14-27	103205401	3-3, 3-7, 6-17, 6-19
102508701	14-11	102845204	14-29	103205501	3-9, 6-33
102513701	10-5	102845501	14-7	103210201	3-9, 6-17, 6-19
102515401	13-3	102847801	17-3	103210301	3-5, 14-11

INDEX

103218601 14-11
103222001 14-7
103222201 6-9
103234301 3-11, 3-13, 3-15
103245201 1-13
103245301 1-13
103255701 14-3
103260201 3-15
103261001 3-11, 3-13
103284201 3-11, 3-13
103295101 13-11
103295203 13-11
103306301 10-7, 10-21
103345701 12-3
103348201 6-17, 6-19
103348202 14-11
103348501 6-17, 6-19
103348601 6-17, 6-19
103350901 5-21
103351001 5-11
103351101 5-23
103352701 17-9
103354401 14-11
103354701 5-11
103369501 13-9
103372101 10-19
103372201 10-19
103372301 10-19
103372401 10-21
103372601 10-21
103374701 10-19
103386202 7-5
103390801 6-17, 6-19
103414901 14-3, 14-17
103439701 10-21
103452002 10-21
103452101 10-21
103477901 5-17
103507101 10-25
103507201 10-25
103507301 10-25
103509401 1-15
103509601 1-15
103538701 1-21
103538901 1-21
103601501 5-19
103601601 5-3
103615601 7-9
103615801 7-13
103615901 7-11
103616401 7-11
103616501 7-7
103616601 7-7
103616701 7-7
103616901 10-23
103618101 6-23, 14-13

103628801 5-13
103628901 5-15
103653401 5-19
103653501 5-11
103717302 5-17
103717402 5-17
103721101 10-21
103756401 10-21
103781101 10-7
103781201 10-7
96704416 7-15, 8-15, 9-15

A

AC cord 17-3, 17-5, 17-11, 17-13
AC cord receptacle 17-11
accelerator bracket and bearing assembly 4-19, 4-21
accelerator cable 10-13
accelerator pedal 4-19, 4-21
accelerator pedal adjustment tool 18-3
accelerator pivot rod 4-19, 4-21
accelerator return spring 4-19, 4-21
accelerator rod 4-23
access door hinge 1-15, 1-19
access door plate 1-19
adapter
 cable (IQDM) 18-7
adhesive, guide ring 18-3
adjuster
 hydraulic brake 18-7
adjuster, lash 8-11, 9-11
air box 10-15
air box top 10-15
air filter 10-15
air intake hose 10-15
ammeter 17-3, 17-5, 17-11, 17-13
anchor body 4-3, 4-9
anchor body kit 4-3, 4-9
anchor, piston 4-3, 4-9
anti-sway bar 5-25
A-plate strap 5-11
A-plate, delta 5-11
arbor 18-3
arm
 governor 13-3
 pivot 13-3
 rocker 7-9, 8-9, 9-9
armature 6-25, 15-3
armature conversion kit 6-25
assembly
 accelerator bracket and bearing 4-19, 4-21
 accelerator pivot rod 4-19, 4-21
 air box 10-15
 air box top 10-15
 armature 6-25
 axle 13-7

bearing, steering shaft 5-3
bell crank and shaft 6-15, 6-21
brush connector 6-25
brush holder 6-25
carburetor 10-9
connecting rod 7-13, 8-13, 9-13
cylinder head 8-9, 9-9
delta A-plate 5-11
delta shock and gear support 5-11
drive clutch 12-3
drive hub 12-3
driven clutch 12-7
driven clutch fixed-face 12-7
field coil 6-25
float 10-9
fuel tank vent 10-5
governor 13-5
headlight 6-13, 14-9
headlight harness 6-13, 14-9
idle screw 10-9
inner ball joint 5-9, 5-19
kingpin 5-13, 5-15
moveable-face 12-3, 12-7
pilot air screw 10-9
plug cap 7-7, 8-5, 9-5
ratchet 4-5, 4-7
score card plate 5-5
secondary clutch weight 12-3
steering shaft 5-3
steering wheel 5-5, 5-7
turn signal lens 6-13, 14-9
axle 13-7, 16-3
axle shaft oil seal 13-7, 16-3
axle tube 16-3

B

backing plate, brake 4-3, 4-9
bag, desiccant 12-3
ball bearing 7-11, 8-11, 9-11
ball joint 4-5, 4-7, 4-23, 5-9, 13-11
ball joint, left-hand thread 5-9
ball stud 6-15, 6-21, 13-3
ball, shifter 13-5
ball, steel pressure relief 7-3, 8-7, 9-7
band, RPM limiter mount 8-5, 9-5
bar, drive 14-15
bar, stabilizer 5-25
barb, vent 10-7
barrel, plastic 1-3, 10-3
battery 6-29
battery cap, 6-volt 14-27, 14-29
battery charger 17-3, 17-11
battery charger case 17-3, 17-5, 17-11, 17-13
battery charger harness 14-7
battery charger shield 17-9
battery charger transformer 17-3, 17-5, 17-11,

INDEX

- 17-13
 - battery charger wire assembly 17-11
 - battery charger, onboard 17-5, 17-13
 - battery clamp 6-29
 - battery condition indicator 14-11
 - battery discharge machine 18-3
 - battery hold-down 14-27, 14-29
 - battery hold-down rod 14-27, 14-29
 - battery light 14-11
 - battery terminal protector spray 18-3
 - battery thermometer 18-3
 - battery, 6-volt, Trojan T105 14-27
 - battery, 6-volt, Trojan T105, moist 14-27
 - battery, 6-volt, Trojan T145 14-29
 - battery, 6-volt, Trojan T145, moist 14-29
 - bearing 16-3
 - ball 7-11, 8-11, 9-11
 - ball (motor) 15-3
 - ball (steering pinion) 5-9, 5-19
 - front wheel hub 5-17
 - hub 5-17
 - idler 12-3
 - inner axle tube 13-7, 16-3
 - lower pinion (steering) 5-9, 5-19
 - needle 13-5
 - outer axle tube 13-7
 - pivot support 4-19, 4-21
 - steering shaft 5-3
 - thrust 5-13, 5-15
 - bearing and oil seal remover 18-3
 - bearing driver set 18-3
 - bearing puller 18-3
 - bearing puller wedge 18-3
 - bearing seat 5-3
 - bed assembly, long 1-19
 - bed floor plate, forward 1-19
 - bed floor plate, rear 1-15, 1-19
 - bed frame, long 1-15, 1-19
 - bed seal 1-13
 - bell crank and shaft 6-15, 6-21
 - bellows 5-9, 5-19
 - belt, drive 12-5
 - belt, starter/generator 6-27, 12-3
 - bezel, choke cable 10-17
 - bezel, headlight 6-13, 14-9
 - block, brake-mounting 4-5, 4-7
 - block, fuse 6-15, 6-21
 - block, terminal 6-11, 14-3, 14-19
 - body, anchor 4-3, 4-9
 - bolt, U- 5-23
 - boot, steering column 5-3
 - boot, switch 6-33, 14-21
 - bottom, air box 10-15
 - box
 - air 10-15
 - electrical component 6-15, 6-21
 - steering gear 5-9, 5-19
 - box, electrical component 6-15, 6-21, 14-17
 - bracket 5-21
 - accelerator cable 10-13
 - adjustable starter/generator 6-27
 - brake cable guide 5-11
 - brake light switch 6-23, 14-13
 - FNR shifter 13-9
 - governor cable 10-13
 - headlight mounting 6-13, 14-9
 - horn 6-11, 14-3
 - muffler mounting 11-3
 - oil filter mount 7-3, 8-7, 9-7
 - oil level switch 7-11, 8-11, 9-11
 - relay mounting 6-15, 17-5, 17-13
 - retaining 10-17
 - RPM limiter 8-5, 9-5
 - shock absorber 5-23
 - shock mounting 5-23
 - snubber 7-15, 8-15, 9-15
 - stabilizer bar mounting 5-25
 - stake side 1-19
 - starter/generator mounting 6-27
 - steering column 5-3
 - steering column mounting 5-3
 - throttle spring return 10-11, 10-25
 - Tow/Run switch 6-33
 - bracket, carburetor intake manifold 10-25
 - brake actuator kit 4-3, 4-9
 - brake adjustment tool 18-3
 - brake backing plate 4-3, 4-9
 - brake cable 4-11, 4-17
 - brake cable equalizer 4-11, 4-17
 - brake cable hanger 5-21
 - brake cable release tool 18-3
 - brake cluster 4-3, 4-9
 - brake drum 4-3, 4-9
 - brake lever arm 4-3, 4-9
 - brake light switch bracket 6-23, 14-13
 - brake mounting block 4-5, 4-7
 - brake pedal 4-5
 - pedal, brake 4-7
 - brake pedal adjustment tool 18-3
 - brake pedal pad 4-5, 4-7
 - brake pedal tension tool 18-3
 - brake return spring 4-17
 - brake shoe 4-3, 4-9
 - brake spring 4-3, 4-9
 - breaker, circuit 17-11, 17-13
 - breather 13-3, 16-3
 - brush and screw set 6-25
 - brush box assembly 15-3
 - brush connector 6-25
 - brush holder 6-25
 - brush inspection port cover 6-25
 - brush kit, motor 15-3
 - brush port cover 6-25
 - brush rigging 15-3
 - brush spring 15-3
 - brush spring set 6-25
 - brush, motor 15-3
 - bulb, headlight 6-13, 14-9
 - bulb, tail light 6-31, 14-23
 - bumper
 - drive unit (motor) 15-3
 - front 1-3
 - front, heavy duty 1-3
 - front, kit 1-3
 - rear 1-23
 - rubber 1-21, 4-5, 4-7
 - seal, long 1-9
 - spring return 4-19, 4-21
 - bumper mounting 1-23
 - bumper, heavy duty 1-3
 - bumper, seat 1-9
 - bushing 12-3, 13-9
 - bronze 5-17
 - nylon 4-5, 4-7
 - return line 10-19
 - spindle 5-17
 - stabilizer bar 5-25
 - steel 1-21, 5-13, 5-15, 5-21, 5-23
 - urethane 1-21, 5-11, 5-13, 5-15, 5-21, 5-23
 - bushing support 5-25
 - button, drive 12-7
 - buzzer, reverse 6-17, 6-19, 6-31, 14-11, 14-25
- ## C
- cable
 - accelerator 10-13
 - brake 4-11, 4-17
 - choke 10-17
 - FNR shifter 13-11
 - governor 10-13
 - IQDM 18-7
 - calibration test module 18-3
 - cam
 - driven clutch 12-7
 - electrical component box 6-15, 6-21
 - cam installation tool 18-3
 - cam, FNR shifter 13-9
 - camshaft 8-11, 9-11
 - camshaft shim 7-11, 8-11, 9-11
 - camshaft spring 8-11
 - cap
 - battery, 6-volt 14-27, 14-29
 - corner 1-13
 - dust 14-11
 - fuel tank 10-5
 - key switch 6-17, 6-19, 14-11
 - plug 7-7, 8-5, 9-5
 - seat back 1-11

INDEX

- carburetor 10-9
 - carburetor adapter 10-25
 - carburetor float level tool 18-7
 - carburetor gasket 10-11, 10-25
 - carburetor insulator 10-11, 10-25
 - carburetor mounting gasket 10-11, 10-25
 - card, safety first 18-9
 - case
 - battery charger 17-3, 17-5, 17-11, 17-13
 - differential gear 13-7
 - gear 13-3, 16-3
 - rocker 8-9, 9-9
 - charger bezel tool 18-3
 - charger harness 14-7
 - charger, battery 17-3, 17-11
 - charger, battery, onboard 17-5, 17-13
 - charger, battery, shield 17-9
 - choke cable 10-17
 - choke cable bezel 10-17
 - choke valve 10-15
 - circuit breaker 14-21, 17-3, 17-5, 17-11, 17-13
 - clamp
 - battery 6-29
 - cable retaining 10-13
 - hose 10-7, 10-11, 10-15, 10-21, 10-25
 - muffler hose 11-3
 - clevis, upper delta 5-13, 5-15
 - clip, angle 1-17
 - clip, meter 6-17, 6-19
 - clip, rod 1-21
 - clip, score card 5-5
 - cluster idler gear 13-5
 - cluster, brake 4-3, 4-9
 - clutch alignment tool 18-5
 - clutch removal tool 18-3
 - clutch repair kit 12-7
 - clutch tool kit 18-5
 - clutch weight 12-3
 - clutch, driven 12-7
 - coil, field 6-25
 - coil, ignition 8-5, 9-5
 - collet 7-9, 8-9, 9-9
 - column, steering 5-3
 - communication display module 18-5
 - component box, electrical 6-15, 6-21
 - component mounting plate 14-17
 - component mounting plate cover 14-19
 - compression gauge 18-5
 - compression mount 5-25
 - compressor, piston ring 18-9
 - compressor, valve spring 18-11
 - computer, onboard 14-17
 - connecting rod 7-13, 8-13, 9-13
 - connector, a- 6-25
 - continuity tester 18-5
 - control board 17-5, 17-13
 - controller, speed 14-17
 - cord connector 7-11, 8-11, 9-11
 - cord reel 17-7, 17-9
 - cord, AC 17-3, 17-5, 17-11, 17-13
 - cord, DC 17-3, 17-5, 17-11, 17-13
 - counterbalance guide shaft 7-13, 8-13, 9-13
 - counterbalance weight 7-13, 8-13, 9-13
 - cover
 - brush inspection port 6-25
 - brush port 6-25
 - crankcase 7-11, 8-11, 9-11
 - dust 4-3, 4-9, 5-17
 - electrical box 6-15, 6-21
 - oil pump 7-3, 8-7, 9-7
 - rocker switch hole 6-17, 6-19, 14-11
 - screw head 6-17, 6-19, 14-11
 - steering column 5-3
 - cover, steering column 6-23, 14-13
 - cowl 1-3
 - crankcase 8-13, 9-13
 - crankcase cover 7-11, 8-11, 9-11
 - crankcase vent tube 10-11, 10-25
 - crankshaft 7-13, 8-13, 9-13
 - crankshaft rod 7-13, 8-13, 9-13
 - crankshaft shim 7-13, 8-13, 9-13
 - C-type stop ring 5-9, 5-19
 - cup holder 1-7
 - cup, spring 4-19, 4-21
 - current limiter 17-11
 - cushion, shock absorber 5-21, 5-23
 - cutter, valve seat 18-5, 18-11
- ## D
- damper, RPM limiter 8-5, 9-5
 - dash 6-17, 6-19, 14-11
 - dash component 1-5
 - dash panel 6-17, 6-19, 14-11
 - DC cord 17-3, 17-5, 17-11, 17-13
 - decal
 - 4-gauge wire warning 3-5
 - bed hold-down bolts 3-5, 3-9
 - bed load warning 3-3, 3-7
 - Carryall 6 3-11, 3-13
 - Carryall/TransPorter 3-11, 3-13
 - component cover 3-5
 - crush area warning 3-3, 3-7
 - driver/passenger 3-7
 - FNR 3-5, 3-9, 6-17, 6-19, 14-11
 - frame ground 3-7
 - IQ Plus 3-11
 - IR 3-11, 3-13, 3-15
 - key switch 3-9, 6-17
 - no ground warning 3-5
 - on/off 3-5, 3-9, 6-19, 14-11
 - operating instructions 3-9
 - operating instructions (electric) 3-5, 14-11
 - operating instructions (gas) 3-9
 - rollover warning 3-3, 3-7, 6-17, 6-19
 - rotating parts 3-7
 - run/service switch 3-9, 6-33
 - Tow/Run switch 3-3, 14-21
 - Turf 6 3-15
 - vehicle loading 3-3, 3-7
 - delta A-plate 5-11
 - delta A-plate sub-assembly 5-11
 - delta shock and gear support 5-11
 - desiccant bag 12-3
 - DF-terminal insulator 6-25
 - diagnostic port 14-11
 - diesel tachometer probe 18-9
 - differential
 - drive unit 16-3
 - differential gear 13-7, 16-3
 - differential gear case 13-7
 - differential housing 16-3
 - differential idler gear 13-7
 - differential pin 13-7
 - diode 6-15, 6-21
 - dipstick 7-5, 8-3, 9-3
 - door 1-17
 - door assembly 1-17
 - door latch 1-15, 1-17, 1-19
 - drain plug 7-3, 8-7, 9-7
 - drain plug gasket 7-3, 8-7, 9-7, 13-3
 - drive bar 14-15
 - drive belt 12-5
 - drive button 12-7
 - drive clutch assembly 12-3
 - drive clutch button 12-3
 - drive clutch fixed sheave tool 18-5
 - drive clutch fixed-face 12-3
 - drive clutch holder tool 18-5
 - drive clutch hub puller 18-5
 - drive clutch puller 18-5
 - drive clutch pulley 12-3
 - drive clutch spider removal tool 18-5
 - drive clutch spring 12-3
 - drive clutch weight 12-3
 - drive hub 12-3
 - drive unit bumper 15-3
 - driven clutch 12-7
 - driven clutch button 12-7
 - driven clutch cam 12-7
 - driven clutch cam puller 18-5
 - driven clutch fixed-face assembly 12-7
 - driven clutch puller plug 18-5
 - driven clutch spring compression base tool 18-5
 - driven clutch spring compression collar tool 18-5
 - driven clutch spring compression nut tool 18-5

INDEX

driver, drive clutch 12-3
drum, brake 4-3, 4-9
dry moly lubricant 18-7
duct, intake 10-17
dust cap 14-11
dust cover 4-3, 4-9, 5-17

E

E-clip 4-11, 4-17
electrical box cover 6-15, 6-21
electrical component box 6-15, 6-21, 14-17
end bell, commutator 6-25
end bell, output shaft 6-25
end cap, motor 15-3
end, tie rod 5-11
engine 8-3
engine mounting plate 7-15, 8-15, 9-15
engine shroud 7-5, 8-3, 9-3
engine, FE350 CW without ACR 9-3
engine, FE350 S27 7-5
equalizer pivot 4-11
equalizer rod 4-11, 4-17
equalizer, brake cable 4-11, 4-17
exhaust system 11-3
exhaust valve 7-9, 8-9, 9-9
extrusion, fender 1-3

F

face, moveable 12-3, 12-7
fan housing 7-5, 8-3, 9-3
fan shroud 7-5, 8-3, 9-3
fan, flywheel 7-7, 8-5, 9-5
fender extrusion 1-3
fender, rear 1-23
field coil 6-25
field coil housing 6-25
fill plug 13-3
filter
 air 10-15
 fuel 10-7, 10-21
 oil 7-3, 8-7, 9-7
 oil pump 7-3, 8-7, 9-7
fitting, thread-forming grease 5-9, 5-17
fixed-face, drive clutch 12-3
fixed-face, driven clutch 12-7
float 10-9
floor mat 1-5, 1-17
flywheel 8-5, 9-5
flywheel fan 7-7, 8-5, 9-5
flywheel fan plate 7-7, 8-5, 9-5
flywheel puller 18-7
FNR closeout brush 6-17, 6-19
FNR shift lever 13-3
FNR shifter 13-9
FNR shifter bracket 13-9

FNR shifter cable 13-11
FNR shifter cam 13-9
fork, shift 13-5
frame and field, motor 15-3
front bumper 1-3
front bumper kit 1-3
front spring retainer plate 5-13, 5-15
front suspension sub-assembly 5-11
F-terminal hardware 6-25
f-terminal insulator 6-25
fuel filter 10-7, 10-21
fuel gauge sending unit 10-5, 10-19
fuel line 10-7, 10-11, 10-21, 10-25
fuel meter 6-17, 6-19
fuel pickup tube 10-5
fuel pump mount 10-7
fuel tank 10-5
fuel tank cap 10-5
fuel tank strap 10-7, 10-21
fuel tank vent 10-5
fuel tank vent grommet 10-19
fuse 17-3, 17-5, 17-11, 17-13
 10-amp 6-15, 6-21
 20-amp 6-15, 6-21
fuse block 6-15, 6-21

G

gasket 16-3
 carburetor 10-11, 10-25
 carburetor mounting 10-9, 10-11, 10-25
 crankcase cover 7-9, 8-9, 8-11, 9-9, 9-11
 drain plug 7-3, 8-7, 9-7, 13-3
 exhaust 7-9, 8-9, 9-9, 11-3
 head 7-9, 8-9, 9-9
 insulator 7-9, 8-9, 9-9, 10-11, 10-25
 liquid 13-3, 16-3, 18-7
 rocker case 7-9, 8-9, 9-9
 sending unit 10-5, 10-19
 taillight 6-31, 14-23
gasket kit, FE350 7-9, 8-9, 9-9
gauge, battery condition 14-11
gauge, compression 18-5
gauge, fuel-hour 6-17, 6-19
gear
 case 13-3, 16-3
 cluster idler 13-5
 differential 13-7, 16-3
 differential idler 13-7, 16-3
 differential output 16-3
 helical 7-13, 8-13, 9-13, 13-5, 13-7
 spur 7-13, 8-13, 9-13, 13-5
 synchro 13-5
gear yoke 18-7
governor 13-5
governor arm 13-3
governor cable 10-13

governor cable bracket 10-13
governor gear shaft 14-7
governor shaft installation tool 18-7
grip, pencil 5-5
grommet 10-5, 10-17
grommet, fuel tank vent 10-19
guard, splash 10-3
guide
 intake valve 8-9, 9-9
 valve 8-9, 9-9
 valve seat cutter 18-11
guide ring adhesive 18-3

H

hanger, brake cable 5-21
hardware, F-terminal 6-25
harness, battery charger 14-7
harness, headlight 6-5, 6-9, 6-11, 14-3
harness, wire 6-5, 6-9, 6-15, 6-23, 14-7, 14-13
head gasket 7-9, 8-9, 9-9
head, cylinder 8-9, 9-9
headband, sealed, motor 15-3
headband, vented, motor 15-3
headlight assembly 6-13, 14-9
headlight bulb 6-13, 14-9
headlight harness 6-13, 14-9
headlight retainer 6-13, 14-9
headlight wire harness 6-5, 6-9, 6-11, 14-3
heat shrink tube 17-7
heatsink and rectifier 17-3, 17-5, 17-11, 17-13
heavy duty bumper 1-3
helical gear 7-13, 8-13, 9-13, 13-5, 13-7
hill brake rod 4-5, 4-7
hill brake weld assembly 4-5, 4-7
hinge, access door 1-15, 1-19
hinge, door 1-17
hold-down rod, battery 14-27, 14-29
hold-down, battery 14-27, 14-29
holder, cup 1-7
horn 6-11, 14-3
horn bracket 6-11, 14-3
horn button and wire assembly 6-23, 14-13
hose, air intake 10-15
hose, fuel 10-7, 10-21
hour meter 6-17, 6-19
housing
 2-pin 14-15
 3-pin 14-15, 15-3
 differential 16-3
 fan 7-5, 8-3, 9-3
 field coil 6-25
hub 5-17
hub bearing 5-17
hub, synchronizer clutch 13-5
hydraulic brake adjuster 18-7
hydrometer 18-7

INDEX

- I**
- idle screw assembly 10-9
 - idler bearing 12-3
 - idler gear, differential 16-3
 - ignition coil 8-5, 9-5
 - indicator, battery condition 14-11
 - inner frame snubber 7-15, 8-15, 9-15
 - input shaft 16-3
 - insert, synchronizer 13-5
 - instrument panel 6-17, 6-19, 14-11
 - insulating washer 15-3
 - insulator gasket 7-9, 8-9, 9-9, 10-11, 10-25
 - insulator, carburetor 10-11, 10-25
 - insulator, motor terminal 15-3
 - intake duct 10-17
 - intake pipe 10-11
 - intake valve 8-9, 9-9
 - intermediate shaft 16-3
 - internal retaining ring pliers 18-7
 - IQ display module (IQDM) 18-7
- J**
- jet, main 10-9, 10-23
 - jet, pilot 10-9
 - joint
 - ball 4-5, 4-7, 4-23, 13-11
 - left-hand thread ball 5-9
- K**
- key
 - crankshaft 7-7, 7-13, 8-5, 8-13, 9-5, 9-13
 - driven clutch 12-7
 - On/Off 6-17, 6-19, 14-11
 - square 12-7
 - starter/generator 6-25
 - woodruff 13-3
 - key switch 6-17, 6-19
 - key switch cap 6-17, 6-19, 14-11
 - key switch, On/Off 14-11
 - kingpin 5-13, 5-15
 - kit
 - 2-pin housing 14-15
 - 3-pin housing 14-15, 15-3
 - accelerator pivot rod 4-19, 4-21
 - anchor body 4-3, 4-9
 - brake pedal 4-5
 - brake pedal adjustment tool 18-3
 - brake shoe retainer 4-3, 4-9
 - clutch repair 12-7
 - differential gear case 13-7
 - drive clutch button 12-3
 - drive clutch weight 12-3
 - driven clutch button 12-7
 - IQ display module (IQDM) 18-7
 - motor brush 15-3
- motor speed sensor 15-3
 - park brake latch 4-5, 4-7
 - park brake pedal 4-5, 4-7
 - reverse buzzer 6-31, 14-25
 - shock absorber cushion 5-21, 5-23
 - tune-up 18-9
- knob, forward/reverse 13-9, 13-11
- L**
- lash adjuster 8-11, 9-11
 - latch, air box 10-15
 - latch, door 1-15, 1-17, 1-19
 - latch, park brake 4-5, 4-7
 - leaf spring 5-21, 5-23
 - lens, headlight 6-13, 14-9
 - lens, taillight 6-31, 14-23
 - lever
 - change 13-3
 - choke 10-15
 - light
 - battery 14-11
 - oil 6-17, 6-19
 - tail 6-31, 14-23
 - limit switch 6-15, 6-21, 6-23, 13-9, 14-13
 - limiter
 - current 17-11
 - RPM 8-5, 9-5
 - voltage 6-11
 - line, fuel 10-7, 10-11, 10-21, 10-25
 - link, rack and pinion drag 5-9
 - link, stabilizer bar 5-25
 - liquid gasket 13-3, 16-3, 18-7
 - low oil warning light 6-17, 6-19
 - lubricant, dry moly 18-7
 - lubricant, moly-teflon 15-3, 18-7
 - lug nut 2-3
 - lug stud 13-7, 16-3
- M**
- magnet, speed sensor 15-3
 - main jet 10-9, 10-23
 - maintenance/operation switch 6-33
 - mat, floor 1-5, 1-17
 - MCOR 14-15
 - meter clip 6-17, 6-19
 - meter, volt ohm 18-11
 - module
 - calibration test 18-3
 - communication display 18-5
 - moly-teflon lubricant 18-7
 - motor
 - 48-volt IQ Plus 15-3
 - motor brush 15-3
 - motor brush kit 15-3
 - motor brush spring 15-3
- motor bumper 15-3
 - motor controller 14-17
 - motor end cap 15-3
 - motor frame and field 15-3
 - motor headband, sealed 15-3
 - motor headband, vented 15-3
 - motor magnet, speed sensor 15-3
 - motor speed sensor 15-3
 - motor speed sensor kit 15-3
 - motor terminal and lead assembly 15-3
 - motor terminal insulator 15-3
 - mount, compression 5-25
 - mount, fuel pump 10-7
 - mounting block, brake 4-5, 4-7
 - moveable-face 12-3, 12-7
 - muffler hose clamp 11-3
- N**
- name plate 3-11, 3-13, 3-15
 - needle bearing 13-5
 - nozzle, main 10-9
 - nut, lug 2-3
- O**
- OBC 14-17
 - oil filler tube 7-5, 8-3, 9-3
 - oil filter 7-3, 8-7, 9-7
 - oil filter mount bracket 7-3, 8-7, 9-7
 - oil filter screen 7-11, 8-11, 9-11
 - oil filter screen plate 7-11, 8-11, 9-11
 - oil level sensor 7-11, 8-11, 9-11
 - oil level switch bracket 7-11, 8-11, 9-11
 - oil pump and rotor 7-3, 8-7, 9-7
 - oil pump cover 7-3, 8-7, 9-7
 - oil pump filter 7-3, 8-7, 9-7
 - oil pump plate 7-3, 8-7, 9-7
 - oil seal 7-9, 7-11, 7-13, 8-9, 8-11, 8-13, 9-9, 9-11, 9-13, 13-3, 13-5
 - oil warning light, low 6-17, 6-19
 - onboard battery charger 17-5, 17-13
 - onboard computer 14-17
 - operation/maintenance switch 6-33
 - O-ring 7-5, 7-9, 7-11, 7-13, 8-3, 8-9, 8-11, 8-13, 9-3, 9-9, 9-11, 9-13
- P**
- pad
 - accelerator pedal 4-19, 4-21
 - brake pedal 4-5, 4-7
 - park brake 4-5, 4-7
 - paint, touch-up 18-7
 - panel, instrument 6-17, 6-19, 14-11
 - park brake latch 4-5, 4-7
 - park brake pedal 4-5, 4-7
 - park brake rod sleeve 4-5, 4-7

INDEX

- park brake spacer 4-5, 4-7
 - park brake torsion spring 4-5, 4-7
 - pawl 4-5, 4-7
 - pedal group 4-7
 - pedal, accelerator 4-19, 4-21
 - pedal, brake 4-5
 - pedal, park brake 4-5, 4-7
 - pencil grip 5-5
 - pilot air screw assembly 10-9
 - pilot jet 10-9
 - pin, differential 13-7
 - pin, piston 7-13, 8-13, 9-13
 - pinion, steering 5-9, 5-19
 - pipe, intake 10-11
 - piston 7-13, 8-13, 9-13
 - piston anchor 4-3, 4-9
 - piston pin 7-13, 8-13, 9-13
 - piston ring 7-13, 8-13, 9-13
 - piston ring compressor 18-9
 - piston ring pliers 18-9
 - piston ring set 7-13, 8-13, 9-13
 - pivot arm 13-3
 - pivot support bearing 4-19, 4-21
 - plate
 - access door 1-19
 - bed floor 1-15, 1-19
 - bumper mounting 1-23
 - component mounting 14-17
 - engine mounting 7-15, 8-15, 9-15
 - flywheel fan 7-7, 8-5, 9-5
 - front spring retainer 5-13, 5-15
 - name 3-11, 3-13, 3-15
 - oil filter screen 7-11, 8-11, 9-11
 - oil pump 7-3, 8-7, 9-7
 - receptacle backing 17-9
 - score card 5-5, 5-7
 - spring mounting 5-13, 5-15
 - steering wheel 5-7
 - thrust 13-5, 13-7
 - plate, Tow/Run switch 14-21
 - pliers
 - internal retaining ring 18-7
 - piston ring 18-9
 - retaining ring 18-9
 - plug
 - drain 7-3, 8-7, 9-7
 - driven clutch puller 18-5
 - fill 13-3
 - spark 8-5, 9-5
 - plug cap 7-7, 8-5, 9-5
 - plug, carburetor intake manifold 10-25
 - plug, spark 7-7
 - pole set 6-25
 - port, diagnostic 14-11
 - press weldment 18-5
 - prop rod 1-21
 - protector spray, battery terminal 18-3
 - puller
 - bearing 18-3
 - clutch 18-3
 - drive clutch 18-5
 - drive clutch hub 18-5
 - driven clutch cam 18-5
 - flywheel 18-7
 - seal 18-9
 - special use tool 18-9
 - pulley
 - drive clutch 12-3
 - starter-generator 6-25
 - push rod 7-9, 8-9, 9-9
- ## R
- race, front hub bearing 5-17
 - rack and pinion drag link 5-9
 - rack guide pressure spring 5-9, 5-19
 - rack, steering 5-9, 5-19
 - ratchet, park brake 4-5, 4-7
 - reamer, valve guide 18-9
 - rear bumper 1-23
 - rear fender 1-23
 - rear spring shackle 5-21
 - receptacle backing plate 17-9
 - receptacle, AC cord 17-11
 - rectifier with heatsink 17-3, 17-5, 17-11, 17-13
 - reel bracket 17-7
 - reel cord 17-7, 17-9
 - regulator, voltage 6-15, 6-21
 - relay 6-15
 - relay mounting bracket 6-15, 17-5, 17-13
 - relay, 12-volt 6-11
 - relay, 48-volt 17-3, 17-5, 17-11, 17-13
 - remover, bearing and oil seal 18-3
 - retainer
 - accelerator pedal spring 4-19, 4-21
 - brake shoe 4-3, 4-9
 - headlight 6-13, 14-9
 - shock absorber cushion 5-21, 5-23
 - spring (drive clutch) 12-3
 - valve spring 7-9, 8-9, 9-9
 - retaining bracket 10-17
 - retaining ring 5-3
 - retaining ring pliers 18-9
 - return spring bumper 4-19, 4-21
 - reverse buzzer 6-17, 6-19, 6-31, 14-11, 14-25
 - rim, wheel, white 2-3
 - ring
 - piston 7-13, 8-13, 9-13
 - retaining 5-3, 6-15, 6-21, 12-3, 12-7
 - snap 5-9, 5-19, 7-13, 8-9, 8-13, 9-9, 9-13
 - spiral backup 12-3
 - synchronizer 13-5
 - ring, C-type stop 5-9, 5-19
 - ring, piston 7-13, 8-13, 9-13
 - rivet, blind push 1-3, 14-19
 - rocker arm 7-9, 8-9, 9-9
 - rocker case 8-9, 9-9
 - rocker case gasket 7-9, 8-9, 9-9
 - rocker shaft 7-9, 8-9, 9-9
 - rocker switch 14-11
 - rocker switch (lights) 6-11, 14-3
 - rod
 - accelerator 4-23
 - accelerator pivot 4-19, 4-21
 - battery hold-down 14-27, 14-29
 - clip 1-21
 - connecting 7-13, 8-13, 9-13
 - crankshaft 7-13, 8-13, 9-13
 - equalizer 4-11, 4-17
 - hill brake 4-5, 4-7
 - prop 1-21
 - push 7-9, 8-9, 9-9
 - shift 13-5
 - rotor, oil pump and 7-3, 8-7, 9-7
 - RPM limiter 8-5, 9-5
 - RPM limiter bracket 8-5, 9-5
 - RPM limiter damper 8-5, 9-5
 - RPM limiter mount band 8-5, 9-5
- ## S
- safety first card 18-9
 - score card clip 5-5
 - score card plate 5-5
 - screen, oil filter 7-11, 8-11, 9-11
 - screw, valve clearance adjuster 18-9
 - seal
 - intake 10-15
 - lip 16-3
 - oil 7-9, 7-11, 7-13, 8-9, 8-11, 8-13, 9-9, 9-11, 9-13, 13-3, 13-5, 13-7, 16-3
 - steering pinion dust 5-9, 5-19
 - vertical socket dust 5-9
 - seal puller 18-9
 - seal, bed 1-13
 - sealant 13-3, 16-3
 - seat
 - spring 7-9, 8-9, 9-9
 - valve 7-3, 8-7, 9-7
 - seat back 1-11
 - seat back assembly 1-11
 - seat back cap 1-11
 - seat back tube 1-13
 - seat back, white 1-11
 - seat bottom assembly 1-9
 - seat bumper 1-9
 - seat cover, vinyl 1-9
 - seat strap 1-9
 - seat, bearing 5-3
 - sending unit, fuel gauge 10-5, 10-19

INDEX

- sensor, motor speed 15-3
 - sensor, oil level 7-11, 8-11, 9-11
 - set, brush and screw 6-25
 - set, pole 6-25
 - shackle weldment 5-23
 - shackle, rear spring 5-21
 - shaft
 - change 13-3
 - counterbalance guide 7-13, 8-13, 9-13
 - governor gear 14-7
 - input 16-3
 - intermediate 16-3
 - rocker 7-9, 8-9, 9-9
 - steering column 5-3
 - transmission 13-5
 - shield, battery charger 17-9
 - shift fork 13-5
 - shift lever 13-3
 - shift rod 13-5
 - shifter, FNR 13-9
 - shim, camshaft 7-11, 8-11, 9-11
 - shim, crankshaft 7-13, 8-13, 9-13
 - shim, tilt bed pivot 1-21
 - shock absorber 5-11, 5-21, 5-23
 - shock absorber cushion 5-21, 5-23
 - shock absorber cushion retainer 5-21, 5-23
 - shock mounting bracket 5-23
 - shoe, brake 4-3, 4-9
 - shroud 7-5, 8-3, 9-3
 - shroud, engine 7-5, 8-3, 9-3
 - shroud, fan 7-5, 8-3, 9-3
 - sleeve
 - delta A-plate 5-11
 - governor 13-5
 - park brake rod 4-5, 4-7
 - synchronizer 13-5
 - snap ring 5-9, 5-19, 7-13, 8-9, 8-13, 9-9, 9-13
 - snubber bracket 7-15, 8-15, 9-15
 - snubber, inner frame 7-15, 8-15, 9-15
 - socket 5-9
 - solenoid 14-17
 - solenoid, 12-volt 6-15, 6-21
 - spacer
 - accelerator pivot rod 4-19, 4-21
 - park brake 4-5, 4-7
 - spanner wrench 18-9
 - spark plug 7-7, 8-5, 9-5
 - speed controller 14-17
 - speed sensor 15-3
 - speed sensor magnet 15-3
 - speed sensor, motor 15-3
 - spiral backup ring 12-3
 - splash guard 10-3
 - spray, battery terminal protector 18-3
 - spring
 - accelerator return 4-19, 4-21
 - brake 4-3, 4-9
 - brake return 4-17
 - brush 6-25, 15-3
 - camshaft 8-11
 - compression 5-5
 - drive button 12-3
 - drive clutch 12-3
 - driven clutch 12-7
 - extension return 10-15
 - leaf 5-21, 5-23
 - park brake torsion 4-5, 4-7
 - rack guide pressure 5-9, 5-19
 - shifter 13-5
 - steering shaft compression 5-3
 - synchronizer 13-5
 - throttle return 10-11, 10-25
 - valve 7-9, 8-9, 9-9
 - spring cup 4-19, 4-21
 - spring mounting plate 5-13, 5-15
 - spring, motor brush 15-3
 - spur gear 7-13, 8-13, 9-13, 13-5
 - stabilizer bar 5-25
 - stabilizer bar link 5-25
 - stabilizer bar mounting bracket 5-25
 - stake side bracket 1-19
 - starter/generator 6-25
 - starter/generator belt 6-27, 12-3
 - starter/generator pulley 6-25
 - steel bushing 1-21, 5-13, 5-15, 5-21, 5-23
 - steel pressure relief ball 7-3, 8-7, 9-7
 - steering column 5-3
 - steering column bearing press tool 18-9
 - steering column cover 6-23, 14-13
 - steering column retaining ring tool 18-9
 - steering gear box 5-9, 5-19
 - steering pinion 5-9, 5-19
 - steering pinion dust seal 5-9, 5-19
 - steering rack 5-9, 5-19
 - steering shaft assembly 5-3
 - steering shaft compression spring 5-3
 - steering wheel 5-5, 5-7
 - steering wheel plate 5-7
 - steering wheel puller tool 18-9
 - stem, valve 2-3
 - stiffener 1-9
 - stiffener, flywheel side 7-15, 8-15, 9-15
 - stiffener, PTO side 7-15, 8-15, 9-15
 - strap, A-plate 5-11
 - strap, fuel tank 10-7, 10-21
 - strap, seat 1-9
 - stud 7-15, 8-15, 9-15
 - lug 13-7, 16-3
 - stud, ball 6-15, 6-21, 13-3
 - support yoke (steering) 5-9, 5-19
 - support, bushing 5-25
 - suppressor, voltage 6-11, 14-3, 17-3, 17-5, 17-11, 17-13
- switch
- four-position 17-11, 17-13
 - key 6-17, 6-19, 14-11
 - light rocker 6-11, 14-3
 - limit 6-15, 6-21, 6-23, 13-9, 14-13
 - rocker 14-11
 - Tow/Run 14-21
- switch plate, Tow/Run 14-21
- switch rubber boot 6-33, 14-21
- switch, operation/maintenance 6-33
- switch, toggle 6-33
- synchro gear 13-5
- synchronizer clutch hub 13-5
- synchronizer insert 13-5
- synchronizer sleeve 13-5
- synchronizer spring 13-5
- system, exhaust 11-3
- ## T
- 12-volt solenoid 6-15, 6-21
 - tachometer 18-9
 - tachometer probe, diesel 18-9
 - tail light bulb 6-31, 14-23
 - taillight 6-31, 14-23
 - taillight gasket 6-31, 14-23
 - taillight lens 6-31, 14-23
 - taillight skirt 1-23
 - tank, fuel 10-5
 - tape, vinyl foam 1-15, 1-19
 - tappet 7-11
 - terminal block 6-11, 14-3, 14-19
 - tester, continuity 18-5
 - thermometer, battery 18-3
 - thread-forming grease fitting 5-9, 5-17
 - throttle return spring 10-11, 10-25
 - throttle spring return bracket 10-11, 10-25
 - thrust bearing 5-13, 5-15
 - thrust plate 13-5, 13-7
 - tie rod end 5-11
 - tie wrap 5-9, 5-19, 6-11, 6-15, 6-21, 10-17, 10-21, 13-11, 14-3, 14-7, 14-17, 14-19
 - tire 2-3
 - tire and wheel assembly 2-3
 - toggle switch 6-33
 - tool
 - accelerator pedal adjustment 18-3
 - belt tensioning, starter/generator 18-11
 - brake adjustment 18-3
 - brake cable release 18-3
 - brake pedal adjustment 18-3
 - brake pedal tension 18-3
 - cam installation 18-3
 - carburetor float level 18-7
 - charger bezel 18-3
 - clutch alignment 18-5

INDEX

- cT-wrench 18-5
- drive clutch fixed sheave 18-5
- drive clutch holder 18-5
- drive clutch spider removal 18-5
- driven clutch spring compression base 18-5
- driven clutch spring compression collar 18-5
- driven clutch spring compression nut 18-5
- governor shaft installation 18-7
- puller, special use 18-9
- steering column bearing press 18-9
- steering column retaining ring 18-9
- steering wheel puller 18-9
- transaxle axle seal 18-9
- transaxle pinion seal 18-9
- transmission 18-9
- valve guide driver 18-9
- valve seat cutter 18-5
- tool kit, clutch 18-5
- touch-up paint 18-7
- Tow/Run switch 14-21
- Tow/Run switch bracket 6-33
- Tow/Run switch plate 14-21
- transaxle 16-3
- transaxle axle seal tool 18-9
- transaxle housing 16-3
- transaxle pinion seal tool 18-9
- transaxle, unitized 13-3
- transformer, battery charger 17-3, 17-5, 17-11, 17-13
- transmission shaft 13-5
- transmission tool 18-9
- trim
 - cowl 1-3
 - long bed 1-19
 - seat bottom 1-13
- tube
 - crankcase vent 10-11, 10-25
 - fuel pickup 10-5
 - oil filler 7-5, 8-3, 9-3
 - seat back 1-13
- tune-up kit 18-9
- turn signal lens 6-13, 14-9
- T-wrench tool 18-5
- U**
 - U-bolt 5-23
 - u-bolt 5-21
 - unitized transaxle 13-3
 - upper delta clevis 5-13, 5-15
 - urethane bushing 1-21, 5-11, 5-13, 5-15, 5-21, 5-23
- V**
 - valve
 - choke 10-15
 - exhaust 7-9, 8-9, 9-9
 - intake 8-9, 9-9
 - reed 7-9, 8-9, 9-9
 - valve clearance adjuster screw 18-9
 - valve guide 8-9, 9-9
 - valve guide driver tool 18-9
 - valve guide reamer 18-9
 - valve guide, intake 8-9, 9-9
 - valve seat 7-3, 8-7, 9-7
 - valve seat cutter 18-5, 18-11
 - valve seat cutter guide 18-11
 - valve seat cutter tool 18-5
 - valve seat t-wrench 18-11
 - valve spring 7-9, 8-9, 9-9
 - valve spring compressor 18-11
 - valve spring retainer 7-9, 8-9, 9-9
 - valve stem 2-3
 - vent barb 10-7
 - vent, fuel tank, w/ valve 10-19
 - vertical socket dust seal 5-9
 - volt ohm meter 18-11
 - voltage limiter 6-11
 - voltage regulator 6-15, 6-21
 - voltage suppressor 6-11, 14-3, 17-3, 17-5, 17-11, 17-13
- W**
 - warning light, low oil 6-17, 6-19
 - washer, insulating 15-3
 - wedge, bearing puller 18-3
 - weight
 - clutch 12-3
 - counterbalance 7-13, 8-13, 9-13
 - secondary clutch 12-3
 - weldment
 - press 18-5
 - wheel 2-3
 - wheel and tire assembly 2-3
 - wheel rim, white 2-3
 - wheel, steering 5-5, 5-7
 - wire assembly, battery charger 17-11
 - wire harness 6-5, 6-9, 6-15, 6-23, 14-7, 14-13
 - wire harness, headlight 6-5, 6-9, 6-11, 14-3
 - woodruff key 13-3
 - wrap, tie 5-9, 5-19, 6-11, 6-15, 6-21, 10-17, 10-21, 13-11, 14-3, 14-7, 14-17, 14-19
 - wrench, spanner 18-9
- Y**
 - yoke, gear 18-7
 - yoke, support (steering) 5-9, 5-19



Club Car, Inc.
P.O. Box 204658
Augusta, GA 30917-4658
USA

Web www.clubcar.com
Phone 1.706.863.3000
1.800.ClubCar
Int'l +1 706.863.3000
Fax 1.706.863.5808