

USING THE OPTIONAL EQUIPMENT MANUAL

▲ WARNING

- **THIS MANUAL IS TO BE USED ONLY FOR IDENTIFICATION AND ORDERING OF OPTIONAL EQUIPMENT FOR CARRYALL VEHICLES. BE SURE TO READ AND USE THE INSTALLATION INSTRUCTIONS INCLUDED WITH OPTIONAL EQUIPMENT KITS BEFORE ATTEMPTING TO INSTALL EQUIPMENT.**

This manual covers all optional equipment for 1995 through 1997 Club Car Carryall® vehicles.

The manual is divided into 9 sections. All sections pertain to both gasoline and PowerDrive® electric vehicles. Note that there are three flags on the outside edge of each page. The first flag contains the section number of which that page is a part. The other flags contain the letters G and E, signifying that the page pertains to both the gasoline and PowerDrive electric vehicles.

Use the Table of Contents to find the sections and pages that contain the parts and assemblies you seek. The Table of Contents lists section titles and numbers, and under them, the individual page titles and numbers to be found in that section. Unless a page title specifies a particular vehicle(s), the page applies to all Carryall vehicles.

You will also find vehicle models and serial numbers specified within the listings for individual page titles. These model and serial number specifications identify the vehicles on which parts usage as described on a particular page either began or ended. Have the serial number(s) of your vehicle(s) at hand and read the listings carefully when using the Table of Contents.

Typically, there is a two-page spread for each individual page title in the Table of Contents (however, some titles required several spreads). On the left-hand page is an illustration showing the parts in their relative positions; the parts are each tagged with an item number in a balloon. The right-hand page is the parts list page, and gives the page title at the top, then the item numbers (corresponding to the numbers on the illustration), part descriptions, and quantity of parts used. Some item numbers have more than one part number because several models and/or configurations of a component are represented together on one spread.

Note that a part description may be indented. This indentation corresponds to a parts assembly level indicated by the numbers 1, 2, 3, and 4 at the top left corner of the parts description area of the parts list page. A part that is indented to *level 2* is a component of the *level 1* part (assembly) that it is listed under. A *level 3* part is a component of the *level 2* part that it is listed under, and a *level 4* part is a component of the *level 3* part preceding it. In each case, the part quantity given for a level 2, 3, or 4 part *is the quantity used per next higher level assembly of which it is a component*. A part that is not indented is a *level 1* part. This means that the quantity given is the quantity used per the portion of the kit illustrated on that particular spread.



P. O. Box 204658
Augusta, Georgia 30917-4658 USA
Telephone 706-863-3000
Service Parts Fax 706-855-7413

© 1997, CLUB CAR INC.
All rights reserved.

This manual effective August 1, 1995
Manual print code: 0197B0498A

CONTENTS

BODY AND TRIM KITS

SECTION

1

FRONT BODY, NAMEPLATE, ACCENT STRIPES	1-3
ASHTRAY	1-5
BEVERAGE/TWO-WAY RADIO HOLDER	1-7
GLOVE BOX	1-9
SPORT MIRROR	1-11
HEAVY-DUTY FRONT BUMPER	1-13
WEST COAST MIRROR	1-15
BALL PICKER BRACE KIT	1-17
CARRYALL VI TO TRANS-PORTER CONVERSION KIT	1-19 - 1-25
CARRYALL VI TO TRANS-SENDER CONVERSION KIT	1-27 - 1-35

PASSENGER ENCLOSURE AND CANOPY KITS

SECTION

2

CANOPY KIT, STANDARD LENGTH	2-3
CANOPY KIT, LONG - CARRYALL VI	2-5
WEATHERPROOF ENCLOSURE	2-7
WEATHERPROOF ENCLOSURE, 3-SIDED - CARRYALL VI	2-9
CUSTOM CAB KIT	2-11
WINDSHIELD COMPONENTS FOR CUSTOM CAB KIT	2-13
DRIVING RANGE PROTECTIVE ENCLOSURE KIT - CARRYALL I, II AND II PLUS	2-15
WINDSHIELD AND DOOR COMPONENTS FOR DRIVING RANGE PROTECTIVE ENCLOSURE	2-17

PASSENGER ENCLOSURE AND CANOPY ACCESSORY KITS

SECTION

3

WINDSHIELD KIT, CANOPY TOP	3-3
CAB DOOR KIT	3-5
INTERIOR REAR VIEW MIRROR KIT	3-7
EXTERIOR REAR VIEW MIRROR KIT	3-9
ROOF-MOUNTED SAFETY STROBE LIGHT	3-11
DOMELIGHT KIT	3-13
FAN/DEFOGGER KIT	3-15

LIGHTING KITS

SECTION

4

HEADLIGHTS ONLY - GASOLINE CARRYALL I, II AND II PLUS	4-3
WIRING FOR HEADLIGHTS ONLY - GASOLINE CARRYALL I, II AND II PLUS	4-5
STANDARD LIGHTING PACKAGE, FRONT BODY - GASOLINE CARRYALL I, II AND II PLUS	4-7
STANDARD LIGHTING PACKAGE, CONTROLS - GASOLINE CARRYALL I, II AND II PLUS	4-9
STANDARD LIGHTING PACKAGE, REAR BODY - GASOLINE CARRYALL I, II, AND II PLUS	4-11
DELUXE LIGHTING PACKAGE - GASOLINE CARRYALL I, II, AND II PLUS	4-13
WIRING - STANDARD/DELUXE LIGHTING PACKAGES - GASOLINE CARRYALL I	4-15
WIRING - STANDARD/DELUXE LIGHTING PACKAGES - GASOLINE CARRYALL II AND II PLUS	4-17
TURN SIGNAL CONVERSION KIT - GASOLINE VEHICLE WITH EXISTING STANDARD LIGHTING PACKAGE	4-19
WIRING, TURN SIGNAL CONVERSION KIT - GASOLINE VEHICLE WITH EXISTING STANDARD LIGHTING PACKAGE	4-21
HEADLIGHTS ONLY - POWERDRIVE ELECTRIC CARRYALL I AND II	4-23
WIRING FOR HEADLIGHTS ONLY - POWERDRIVE ELECTRIC CARRYALL I AND II	4-25
STANDARD LIGHTING PACKAGE, FRONT BODY - POWERDRIVE ELECTRIC CARRYALL I AND II	4-27
STANDARD LIGHTING PACKAGE, CONTROLS - POWERDRIVE ELECTRIC CARRYALL I AND II	4-29

CONTENTS

LIGHTING KITS, CONTINUED:

STANDARD LIGHTING PACKAGE, REAR BODY - POWERDRIVE ELECTRIC CARRYALL I AND II	4-31
DELUXE LIGHTING PACKAGE - POWERDRIVE ELECTRIC CARRYALL I AND CARRYALL II	4-33
WIRING - STANDARD/DELUXE LIGHTING PACKAGES - POWERDRIVE ELECTRIC CARRYALL I	4-35
WIRING - STANDARD/DELUXE LIGHTING PACKAGES - POWERDRIVE ELECTRIC CARRYALL II	4-37
TURN SIGNAL CONVERSION KIT - POWERDRIVE ELECTRIC VEHICLE WITH EXISTING STANDARD LIGHTING PACKAGE	4-39
WIRING, TURN SIGNAL CONVERSION KIT - POWERDRIVE ELECTRIC VEHICLE WITH EXISTING STANDARD LIGHTING PACKAGE	4-41
POST-MOUNTED SAFETY STROBE LIGHT - GASOLINE VEHICLE	4-43
POST-MOUNTED SAFETY STROBE LIGHT - POWERDRIVE ELECTRIC VEHICLE	4-45

METERS, GAUGES, AND INDICATORS

SECTION

5

HR METER - POWERDRIVE ELECTRIC VEHICLE	5-3
HR METER - GASOLINE VEHICLE	5-5
BATTERY INDICATOR - POWERDRIVE ELECTRIC CARRYALL I AND CARRYALL II	5-7

CARGO BED ACCESSORY AND ENCLOSURE KITS

SECTION

6

FLAT BED TRIM - CARRYALL I, II, AND II PLUS	6-3
FLAT BED HOLD-DOWN - CARRYALL I, II, AND II PLUS	6-5
CUSTOM VAN BOX - CARRYALL I, II, AND II PLUS	6-7
CUSTOM VAN BOX - CARRYALL VI	6-9
PORTABLE REFRESHMENT CENTER - CARRYALL I	6-11
PORTABLE REFRESHMENT CENTER - CARRYALL II	6-13
19TH HOLE REFRESHMENT CENTER - CARRYALL II WITH FLAT BED	6-15
OPTIONAL COMPONENTS FOR 19TH HOLE REFRESHMENT CENTER	6-17
STAKE SIDE KIT - CARRYALL I WITH FLAT BED	6-19
STAKE SIDE KIT - CARRYALL II AND II PLUS WITH FLAT BED	6-21
STAKE SIDE KIT - CARRYALL VI WITH FLAT BED	6-23
CARGO BOX KIT - CARRYALL I, II, AND II PLUS WITH FLAT BED	6-25
TAILGATE CHAIN KIT	6-27
TAILGATE RAMP KIT	6-29
FLAT BED TOOL BOX	6-31
PICKUP BED TOOL BOX	6-33
ELECTRIC TILT BED KIT - GASOLINE CARRYALL II AND II PLUS	6-35
ELECTRIC TILT BED KIT - POWERDRIVE ELECTRIC CARRYALL II	6-37
HYDRAULIC TILT BED KIT - GASOLINE CARRYALL II AND II PLUS	6-39
TRAILER HITCH KIT - CARRYALL I	6-41

BRAKE KITS

SECTION

7

FOUR WHEEL BRAKE KIT, BRAKE PEDAL AND CABLE ASSEMBLY - 1995 CARRYALL VI	7-3
FOUR WHEEL BRAKE KIT, FRONT BRAKE ASSEMBLY - 1995 CARRYALL VI	7-5
FOUR WHEEL BRAKE KIT, FRONT SUSPENSION - 1995 CARRYALL VI	7-7

POWERTRAIN KITS

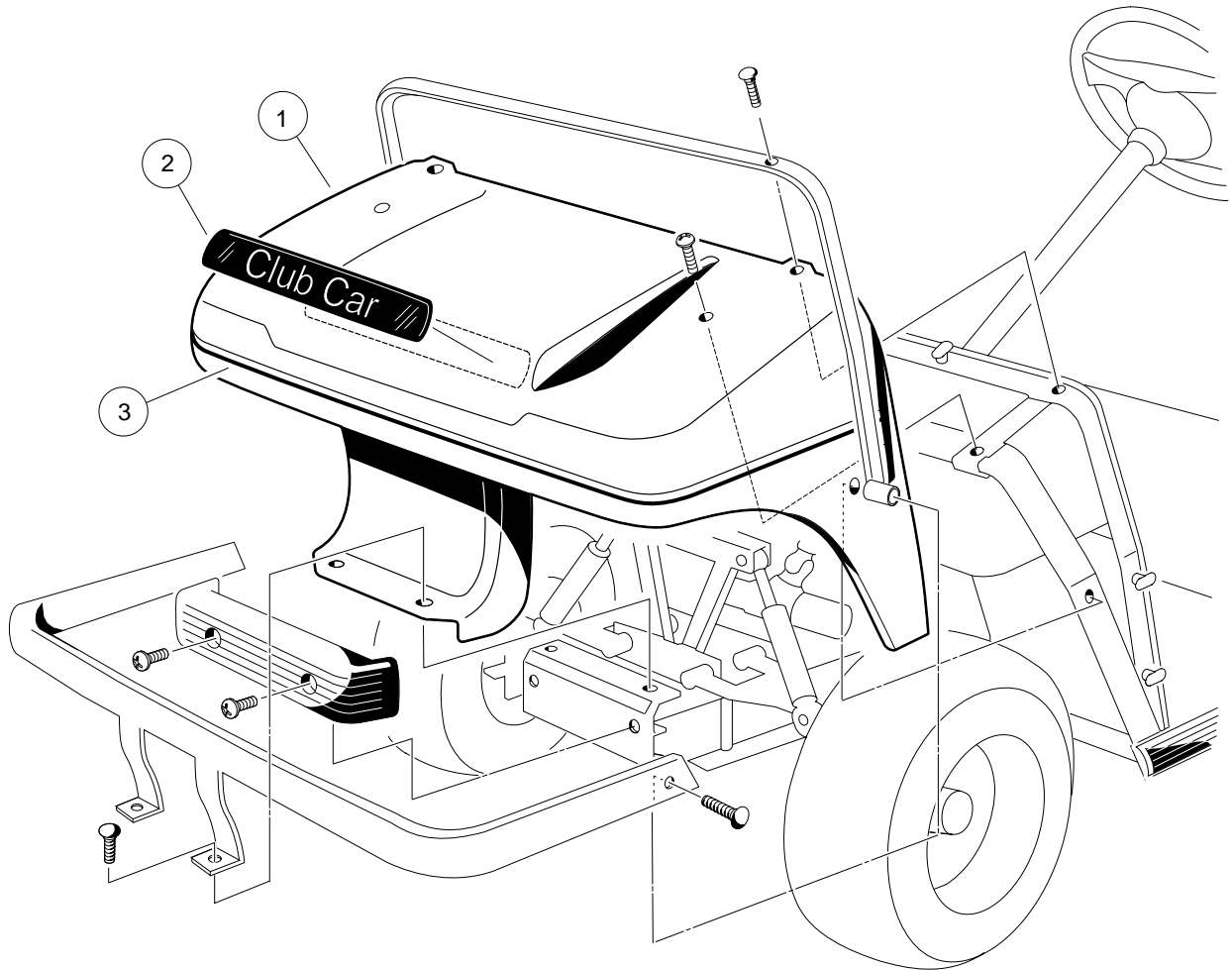
SECTION

8

3.75 HORSEPOWER MOTOR - POWERDRIVE ELECTRIC VEHICLE	8-3
DIFFERENTIAL GUARD KIT	8-5
EXHAUST SYSTEM SPARK ARRESTOR KIT - GASOLINE VEHICLE	8-7

BODY AND TRIM KITS

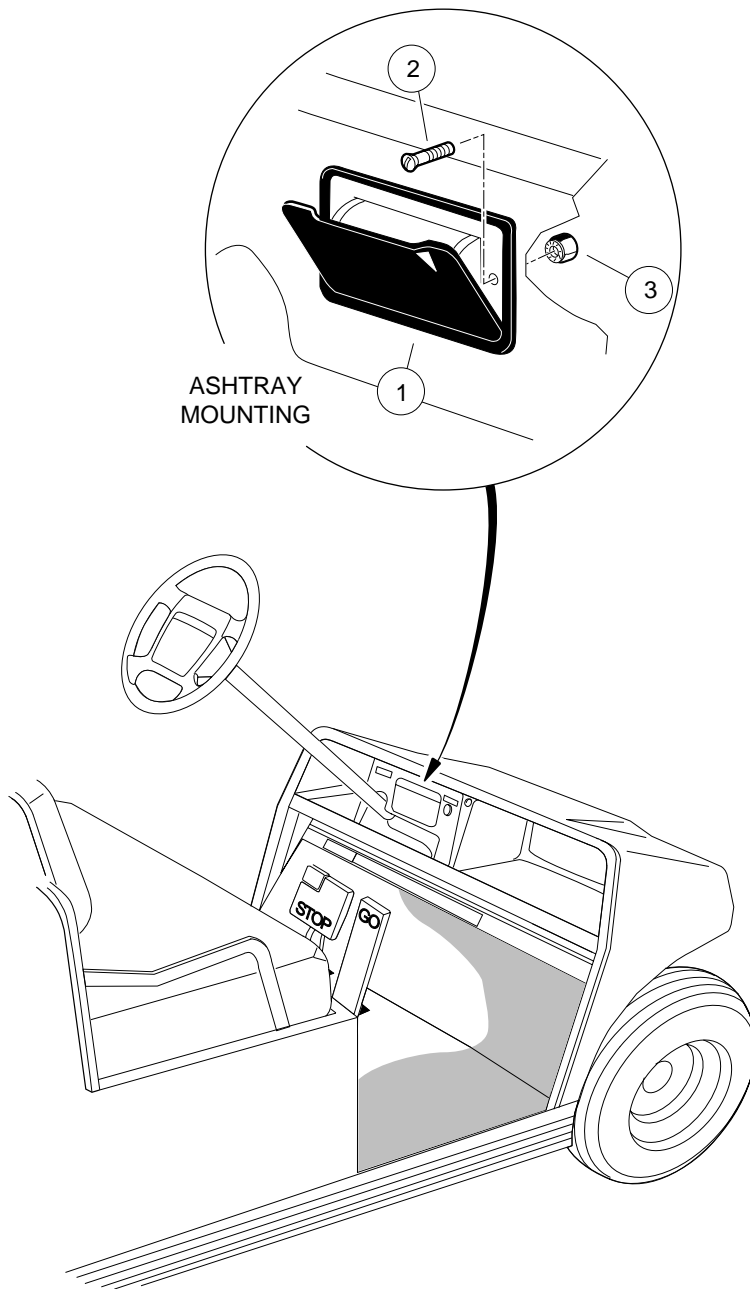
1
G
E



FRONT BODY, NAMEPLATE, ACCENT STRIPES

ITEM	PART NO.	DESCRIPTION	QTY GAS	QTY ELEC
		1 2 3 4		
1	1016925-01	BODY, FRONT - BEIGE	1	1
1	1016925-02	BODY, FRONT - WHITE	1	1
1	1016925-04	BODY, FRONT - GRAY	1	1
1	1016925-06	BODY, FRONT - RED	1	1
1	1016925-09	BODY, FRONT - DARK BLUE	1	1
1	1016925-10	BODY, FRONT - DARK GREEN	1	1
1	1016939-01	BODY, FRONT WITH HEADLIGHT OPENING - BEIGE	1	1
1	1016939-02	BODY, FRONT WITH HEADLIGHT OPENING - WHITE	1	1
1	1016939-04	BODY, FRONT WITH HEADLIGHT OPENING - GRAY	1	1
1	1016939-06	BODY, FRONT WITH HEADLIGHT OPENING - RED	1	1
1	1016939-08	BODY, FRONT WITH HEADLIGHT OPENING - DARK BLUE	1	1
1	1016939-09	BODY, FRONT WITH HEADLIGHT OPENING - DARK GREEN	1	1
2	1016702	NAMEPLATE - SILVER	1	1
2	1014198	NAMEPLATE - GOLD	1	1
3	1017205-06	STRIPES, ACCENT - BLACK/BLACK (40 FOOT ROLL)	1	1

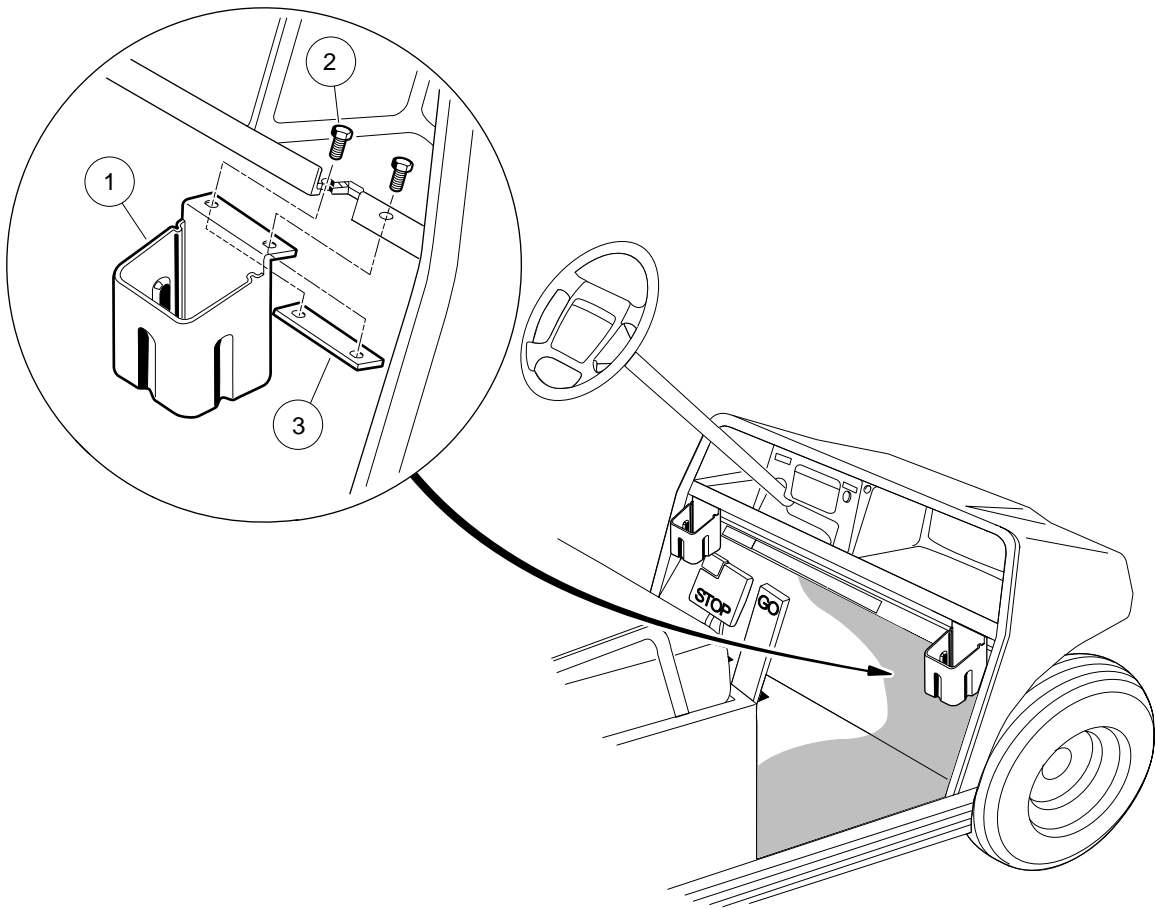
1
G
E



ASHTRAY

ITEM	PART NO.	DESCRIPTION	QTY GAS	QTY ELEC
		1 2 3 4		
1	1011230	KIT, ASHTRAY (INCLUDES ITEMS 2 AND 3)	1	1
2	1011226	SCREW, OVAL COUNTERSUNK HEAD, #6 - 32 x 5/8	2	2
3	1011229	NUT, "K" LOCK, #6 - 32	2	2

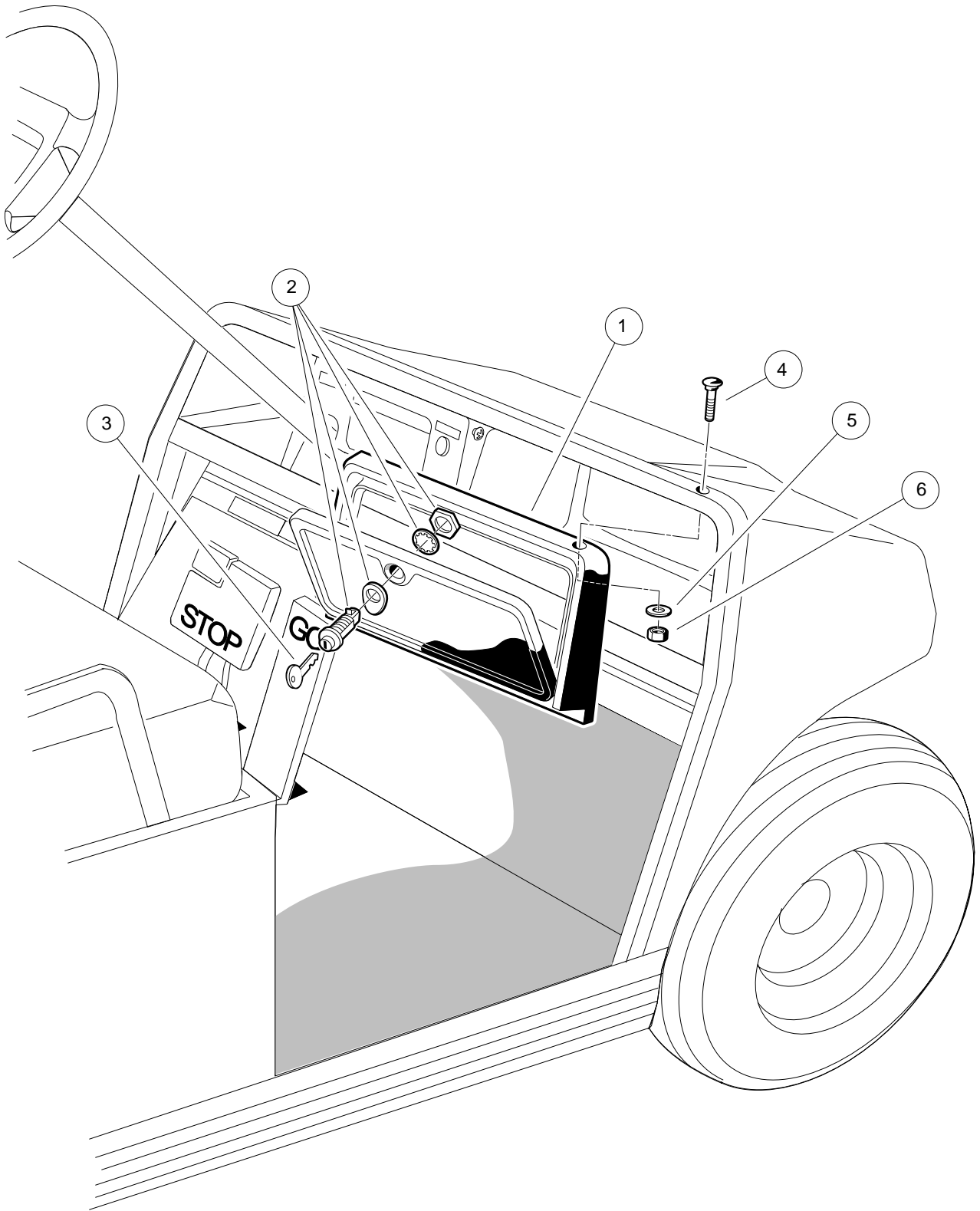
1
G
E



BEVERAGE/TWO-WAY RADIO HOLDER

ITEM	PART NO.	DESCRIPTION	QTY GAS	QTY ELEC
		1 2 3 4		
1	1013422	KIT, CUP HOLDER (INCLUDES ITEMS 2 AND 3)	2	2
2	1010545	SCREW, HEX HEAD, 1/4 - 20 x 3/4	2	2
3	1013421	NUT, TWIN SPEED, 1/4 - 20	1	1

1
G
E



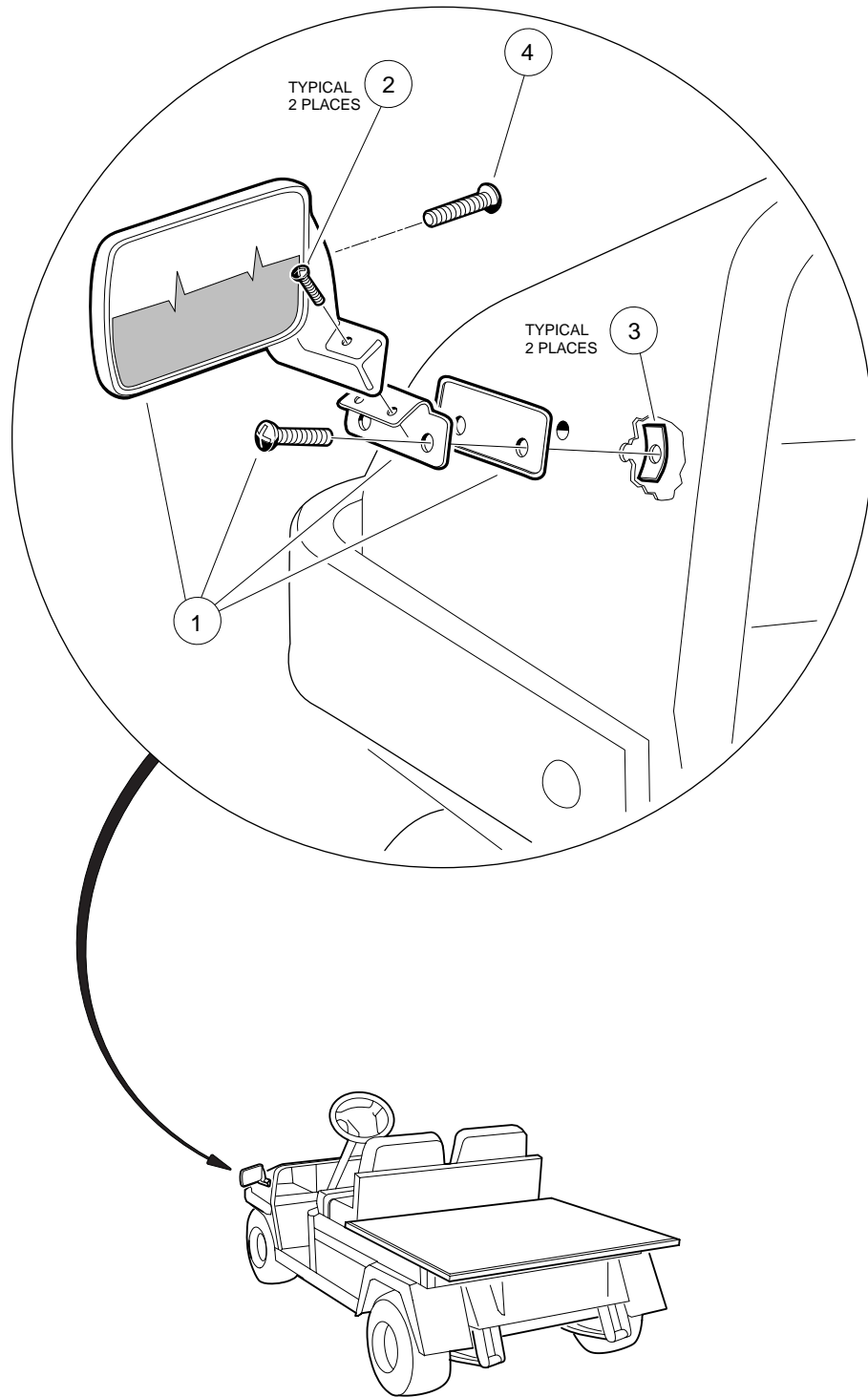
GLOVE BOX

ITEM	PART NO.	DESCRIPTION	QTY GAS	QTY ELEC
		1 2 3 4		
	1015492	GLOVE BOX AND LOCK SET, BLACK (INCLUDES ITEMS 1 - 6)	1	1
1	N/A	GLOVE COMPARTMENT, BLACK (INCLUDES ITEM 2)	1	1
2	1015483	KIT, PUSH LOCK (INCLUDES ITEM 3)	1	1
3	N/A	KEY	2	2
4	0007818	BOLT, CARRIAGE, 5/16 - 18 x 1 1/2	1	1
5	0007174	WASHER, LOCK, 5/16	1	1
6	0001242	NUT, HEX, 5/16 - 18	1	1

1

G

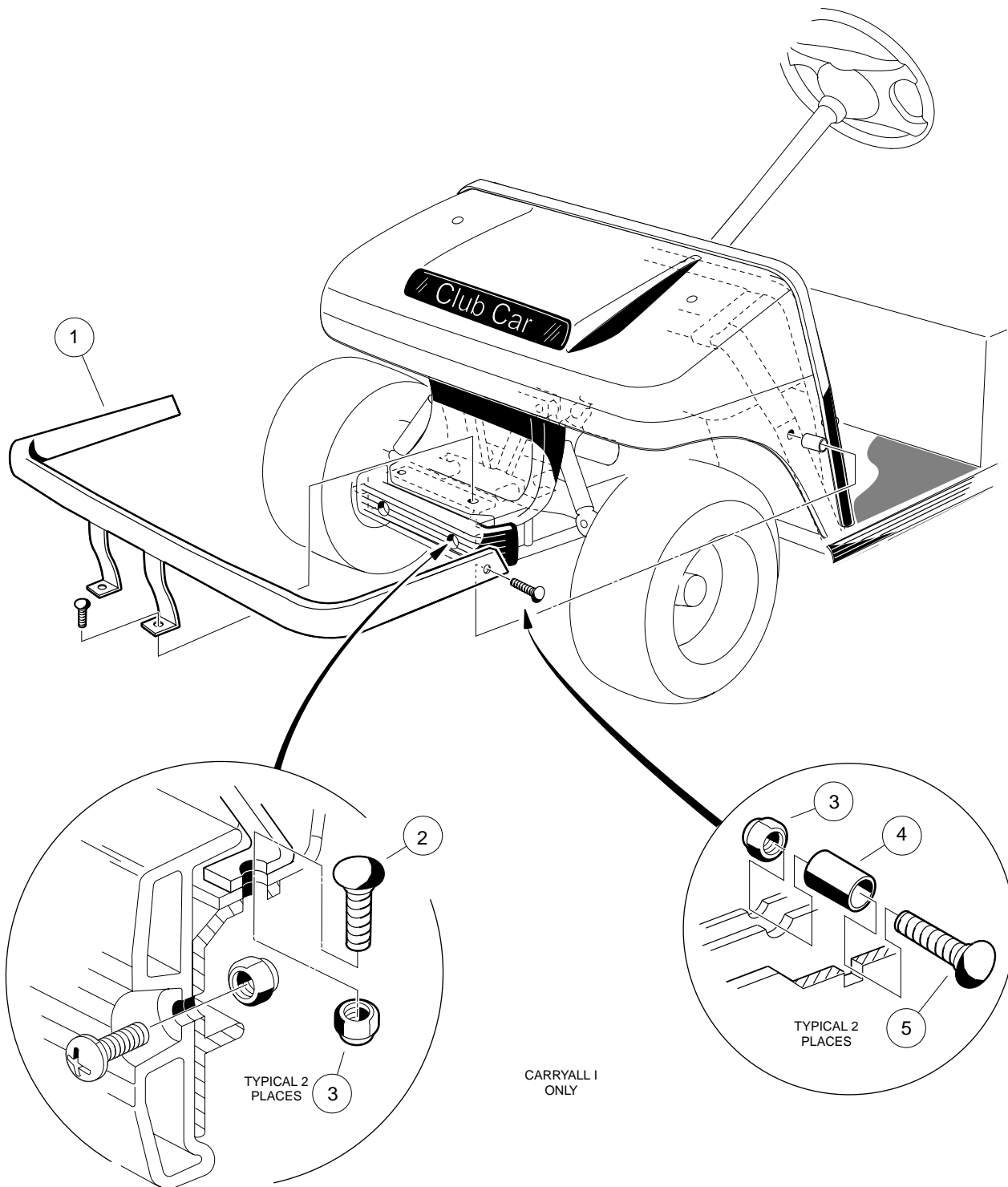
E



SPORT MIRROR

ITEM	PART NO.	DESCRIPTION	QTY GAS	QTY ELEC
		1 2 3 4		
1	1011524	KIT, REAR VIEW MIRROR (INCLUDES ITEMS 2 - 4)	1	1
2	1015203	SCREW, OVAL COUNTERSINK MACHINE HEAD, M4 x 0.7	2	2
3	1011627	NUT, SPEED, #10	2	2
4	1015528	SCREW, TYPE AB PHILLIPS OVAL COUNTERSINK HEAD, #10 x 1 1/4	1	1

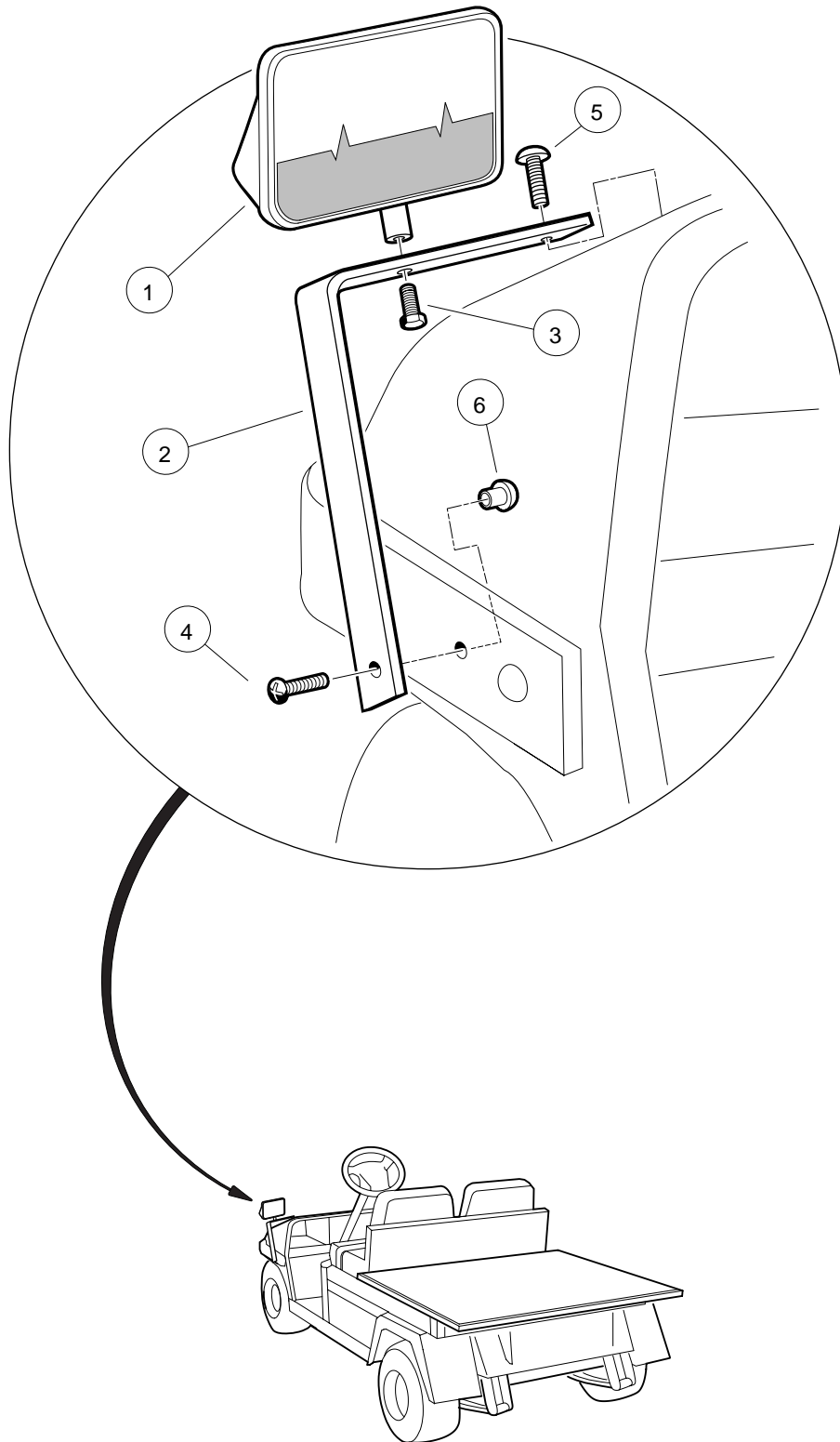
1
G
E



HEAVY-DUTY FRONT BUMPER

ITEM	PART NO.	DESCRIPTION	QTY GAS	QTY ELEC
		1 2 3 4		
1	1017348-02	KIT, HEAVY-DUTY FRONT BUMPER (INCLUDES ITEMS 2 - 5)	1	1
2	1010435	BOLT, CARRIAGE, 5/16 - 18 x 1	2	2
3	0007473	NUT, NYLON LOCK, 5/16 - 18	4	4
4	1010546	SPACER	2	2
5	1015405	BOLT, CARRIAGE, 5/16 - 18 x 2	2	2

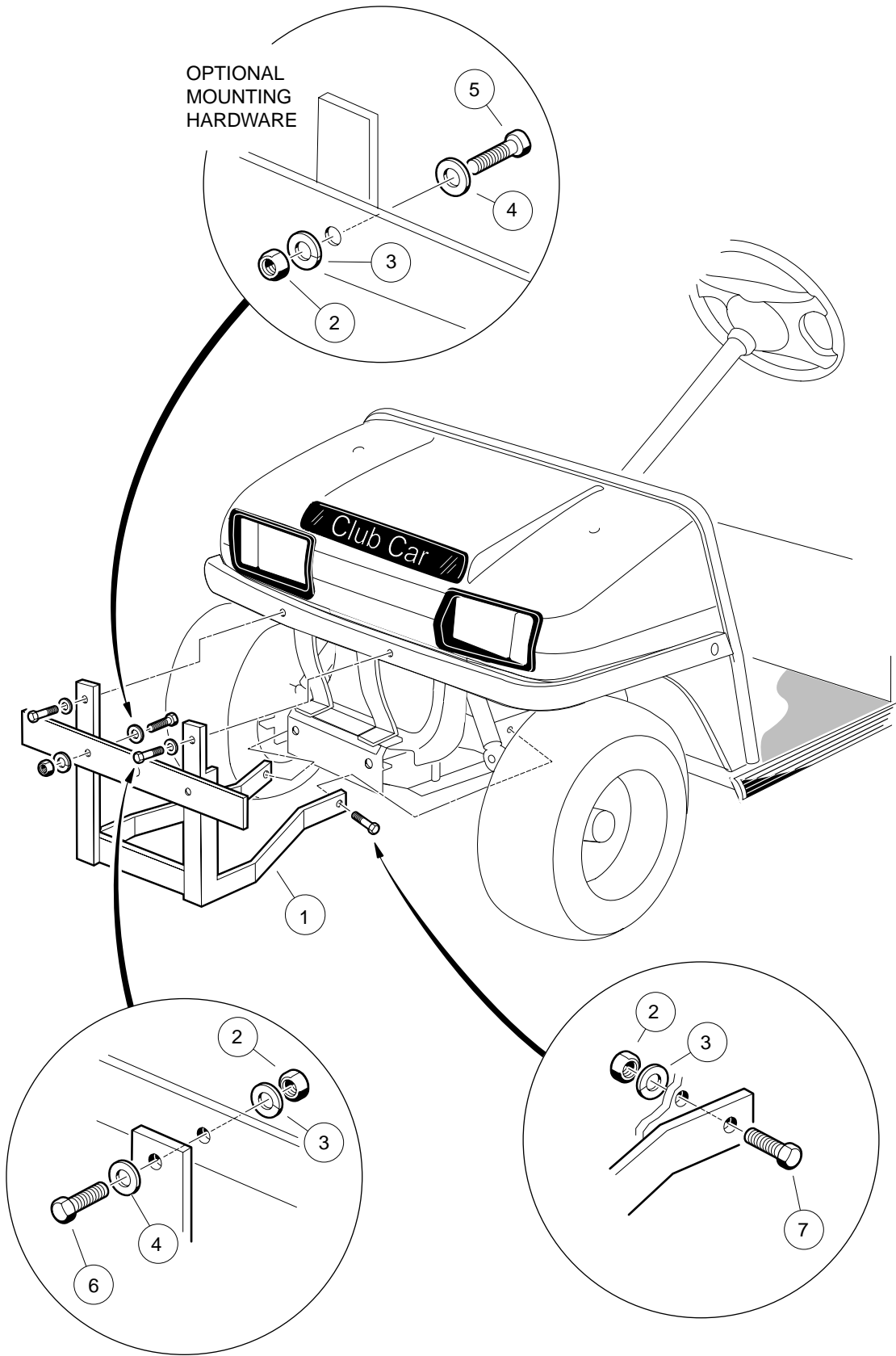
1
G
E



WEST COAST MIRROR

ITEM	PART NO.	DESCRIPTION	QTY GAS	QTY ELEC
		1 2 3 4 TO INSTALL THIS KIT, VEHICLE MUST BE EQUIPPED WITH A HEAVY-DUTY FRONT BUMPER.		
	1013826	KIT, WEST COAST MIRROR (INCLUDES ITEMS 1 - 6)	1	1
1	1013824	MIRROR, REAR VIEW	1	1
2	1013825	BRACKET, MIRROR	1	1
3	1012891	BOLT, HEX HEAD, M8 x 1 1/4 x 16 MM	1	1
4	0008248	SCREW, PHILLIPS HEAD, 1/4 - 20 x 3/4	1	1
5	0007251	SCREW, PHILLIPS HEAD, 5/16 - 18 x1	1	1
6	1011878	NUT, CAPPED TEE	1	1

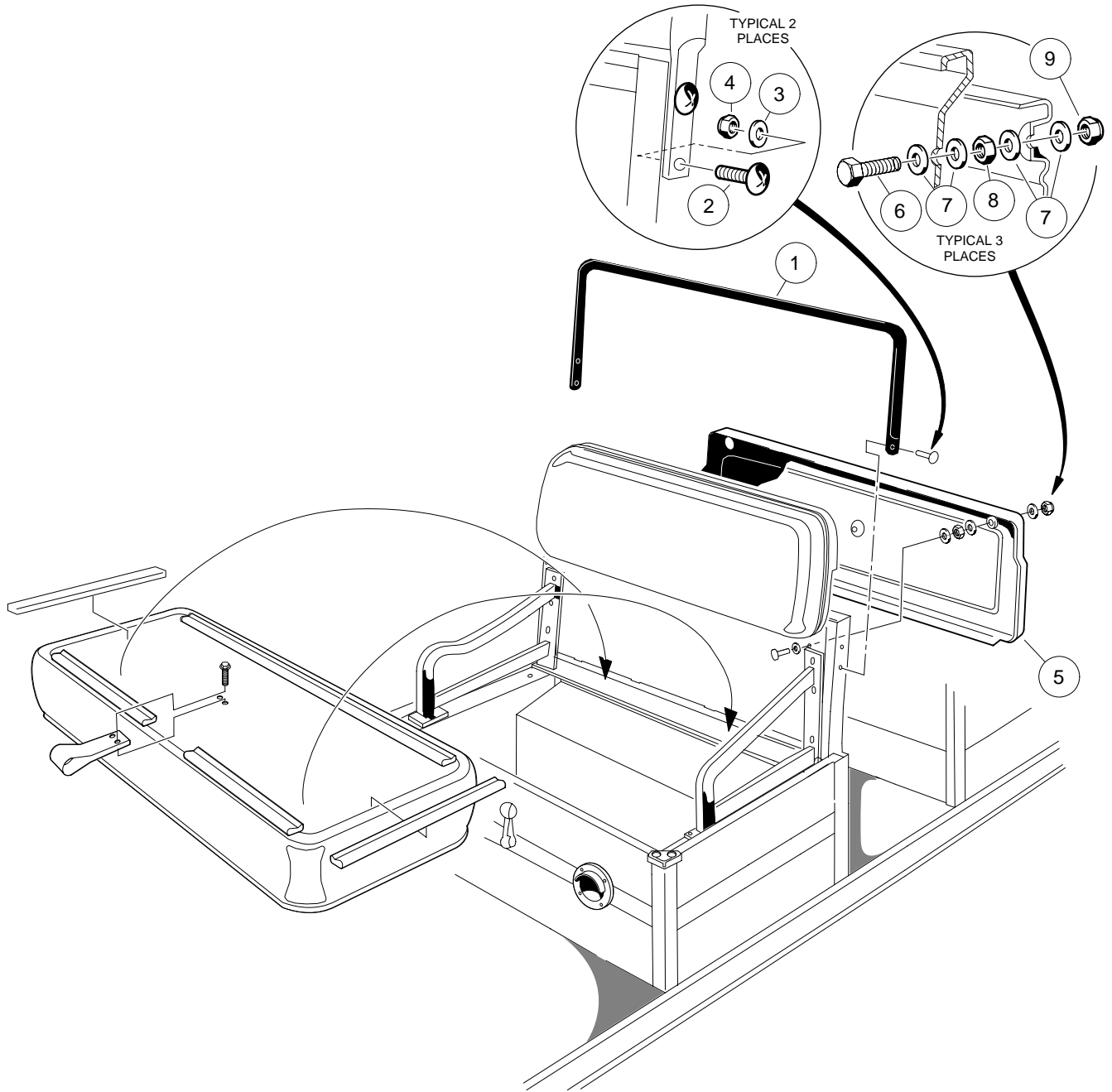
1
G
E



BALL PICKER BRACE KIT

1
G
E

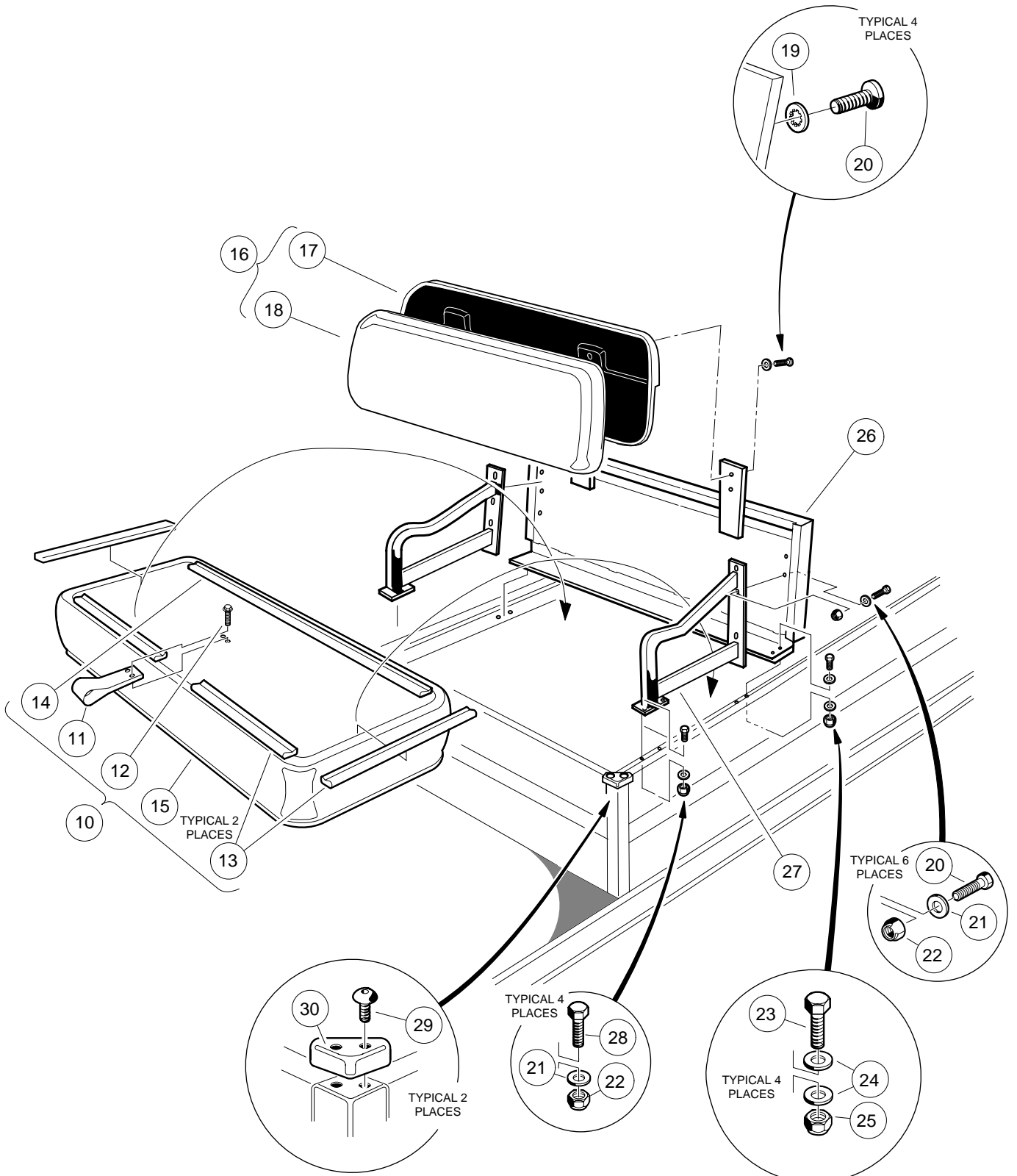
ITEM	PART NO.	DESCRIPTION	QTY GAS	QTY ELEC
		1 2 3 4 TO INSTALL THIS KIT, VEHICLE MUST BE EQUIPPED WITH A HEAVY-DUTY FRONT BUMPER.		
1	1015807	KIT, BALL PICKER BRACE (INCLUDES ITEMS 2 - 7)	1	1
2	0000706	NUT, HEX, 3/8 - 16	6	6
3	0000357	WASHER, LOCK, 3/8	6	6
4	1011990	WASHER, FLAT, 3/8	4	4
5	0008861	SCREW, HEX HEAD CAP, 3/8 - 16 x 1 3/4	2	2
6	1010177	SCREW, HEX HEAD CAP, 3/8 - 16 x 2	2	2
7	0000320	SCREW, HEX HEAD CAP, 3/8 - 16 x 1	2	2



CARRYALL VI TO TRANS-PORTER CONVERSION KIT FIRST SEAT - HANDRAIL AND COVER

ITEM	PART NO.	DESCRIPTION	QTY GAS	QTY ELEC
		1 2 3 4		
	1017365-01	CONVERSION KIT (CARRYALL VI TO TRANS-PORTER) WHITE (INCLUDES ITEMS 1 - 45)	1	1
	1017365-02	CONVERSION KIT (CARRYALL VI TO TRANS-PORTER) GREY (INCLUDES ITEMS 1 - 45)	1	1
	1017365-04	CONVERSION KIT (CARRYALL VI TO TRANS-PORTER) BLACK (INCLUDES ITEMS 1 - 45)	1	1
1	1016670	HANDRAIL	1	1
2	0008248	SCREW, PHILLIPS TRUSS HEAD, 1/4 - 20 x 3/4	4	4
3	0000332	WASHER, FLAT, 1/4	4	4
4	0008233	NUT, NYLON LOCK, 1/4 - 20	4	4
5	1016970	COVER, SEAT BACK SUPPORT	1	1
6	1010934	SCREW, HEX HEAD CAP, 5/16 - 18 x 1	3	3
7	0001241	WASHER, FLAT, 5/16	12	12
8	0001242	NUT, HEX, 5/16 - 18	3	3
9	0007473	NUT, NYLON LOCK, 5/16 - 18	3	3

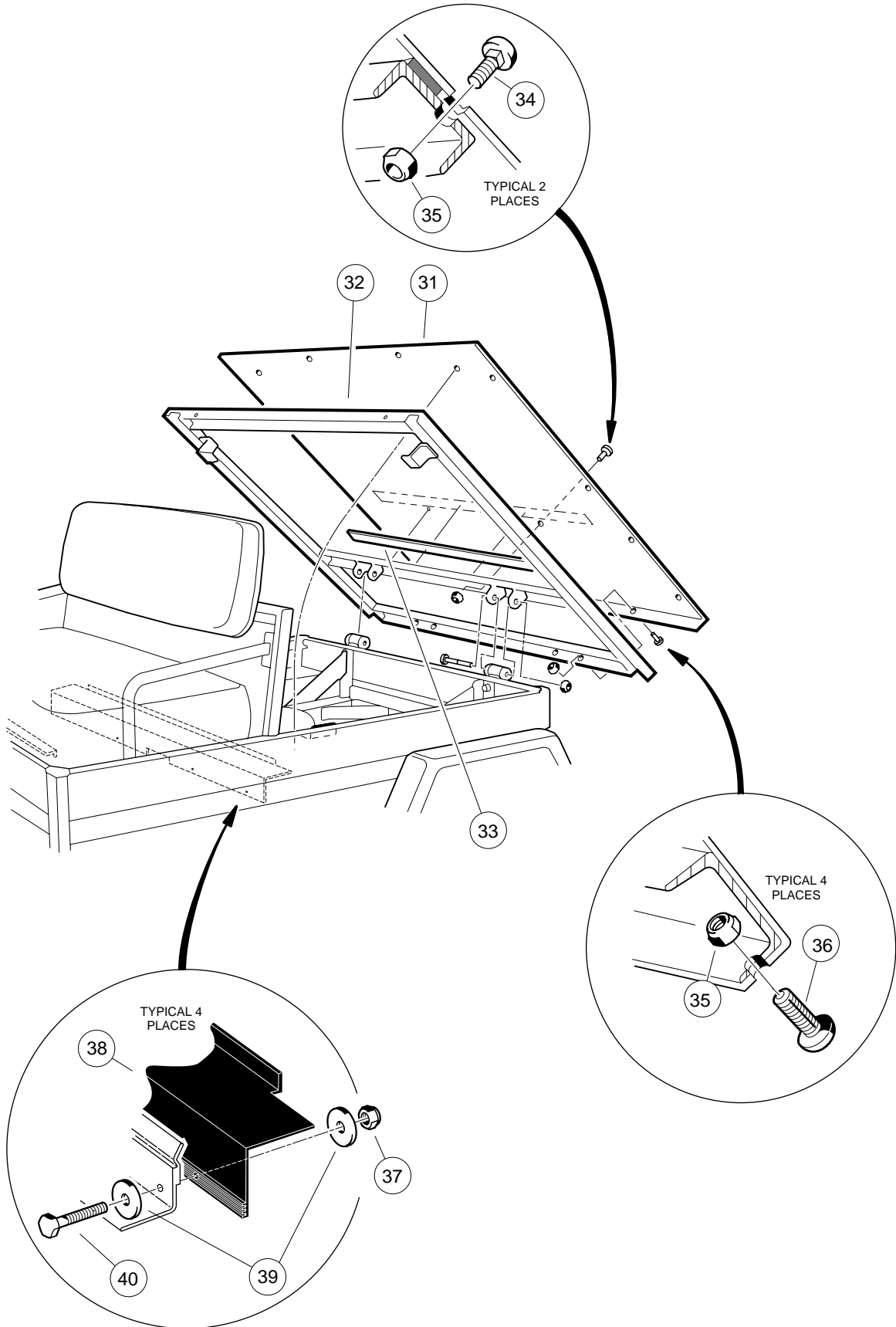
1
G
E



CARRYALL VI TO TRANS-PORTER CONVERSION KIT SECOND SEAT AND SUPPORT STRUCTURE

ITEM	PART NO.	DESCRIPTION	QTY GAS	QTY ELEC
		1 2 3 4		
10	1015645-02	ASSEMBLY, SEAT BOTTOM - WHITE (INCLUDES ITEMS 11 - 15)	1	1
10	1015645-03	ASSEMBLY, SEAT BOTTOM - BLACK (INCLUDES ITEMS 11 - 15)	1	1
10	1015645-05	ASSEMBLY, SEAT BOTTOM - GRAY (INCLUDES ITEMS 11 - 15)	1	1
11	1013309	STRAP, SEAT BOTTOM	1	1
12	1010545	SCREW, HEX WASHER HEAD, 1/4 - 14 x 3/4	2	2
13	1013311	BUMPER, SEAT - SHORT	4	4
14	1013312	BUMPER, SEAT - LONG	1	1
15	1015627-02	COVER, VINYL SEAT BOTTOM - WHITE	1	1
15	1015627-04	COVER, VINYL SEAT BOTTOM - BLACK	1	1
15	1015627-10	COVER, VINYL SEAT BOTTOM - GRAY	1	1
16	1016777-01	ASSEMBLY, SEAT BACK - WHITE (INCLUDES ITEMS 17 AND 18)	1	1
16	1016777-02	ASSEMBLY, SEAT BACK - BLACK (INCLUDES ITEMS 17 AND 18)	1	1
16	1016777-05	ASSEMBLY, SEAT BACK - GRAY (INCLUDES ITEMS 17 AND 18)	1	1
17	1016751	CAP, SEAT BACK	1	1
18	1016755-02	COVER, VINYL SEAT BACK - WHITE	1	1
18	1016755-04	COVER, VINYL SEAT BACK - BLACK	1	1
18	1016755-06	COVER, VINYL SEAT BACK - GRAY	1	1
19	0008304	WASHER, INTERNAL TOOTH LOCK, 1/4	4	4
20	0008248	SCREW, PHILLIPS TRUSS HEAD, 1/4 - 20 x 3/4	4	4
21	0000332	WASHER, FLAT, 1/4	10	10
22	0008233	NUT, NYLON LOCK, 1/4 - 20	10	10
23	1010934	SCREW, HEX HEAD CAP, 5/16 - 18 x 1	4	4
24	0001241	WASHER, FLAT, 5/16	8	8
25	0007473	NUT, NYLON LOCK, 5/16 - 18	4	4
26	1016723	ASSEMBLY, SEAT SUPPORT PANEL	1	1
27	1018885-01	ASSEMBLY, ARMREST, PASSENGER	2	2
28	0000304	SCREW, HEX HEAD CAP, 1/4 - 20 x 1	10	10
29	1014321	SCREW, TORX TRUSS HEAD, #10 - 24 x 3/8	4	4
30	1014387	CAP, CORNER	2	2

1
G
E



CARRYALL VI TO TRANS-PORTER CONVERSION KIT REAR CARGO BED

ITEM	PART NO.	DESCRIPTION	QTY GAS	QTY ELEC
		1 2 3 4		
31	1016724	ASSEMBLY, TILT BED (INCLUDES ITEMS 32 - 36)	1	1
32	N/A	WELDMENT, TILT BED	1	1
33	1014471	INSULATION	1	1
34	1010435	BOLT, CARRIAGE, 5/16 - 18 x 1	2	2
35	0007473	NUT, NYLON LOCK, 5/16 - 18	6	6
36	1015399	SCREW, TORX TRUSS HEAD, 5/16 - 18 x 3/4	4	4
37	0008233	NUT, NYLON LOCK, 1/4 - 20	6	6
38	1017976	SEAL, BED	1	1
39	1014306	WASHER, FLAT, 1/4	8	8
40	0007847	SCREW, HEX HEAD CAP, 1/4 - 20 x 3/4	4	4

1
G
E

**VEHICLE LOADING
DECAL**

VEHICLE LOADING

- Vehicle rated capacity - 1500 lbs. on level surface only. Weight to include passengers, cargo bed load, and gross trailer weight. See Owner's manual.
- Maximum cargo bed load - 1000 lbs. Weight to include cargo bed load (500 lbs. MAX) and gross trailer weight.
- Maximum trailer hitch tongue weight - 150 lbs.
- No more than two people in each passenger seat.
- Cargo should be evenly spread over the floor of cargo bed as far forward as possible and secured.
- Secure loads to prevent load shifting.
- For vehicle stability, drive slowly when loaded and avoid stopping or backing down steep hills when fully loaded.
- Avoid top heavy loads. See Owner's Manual.

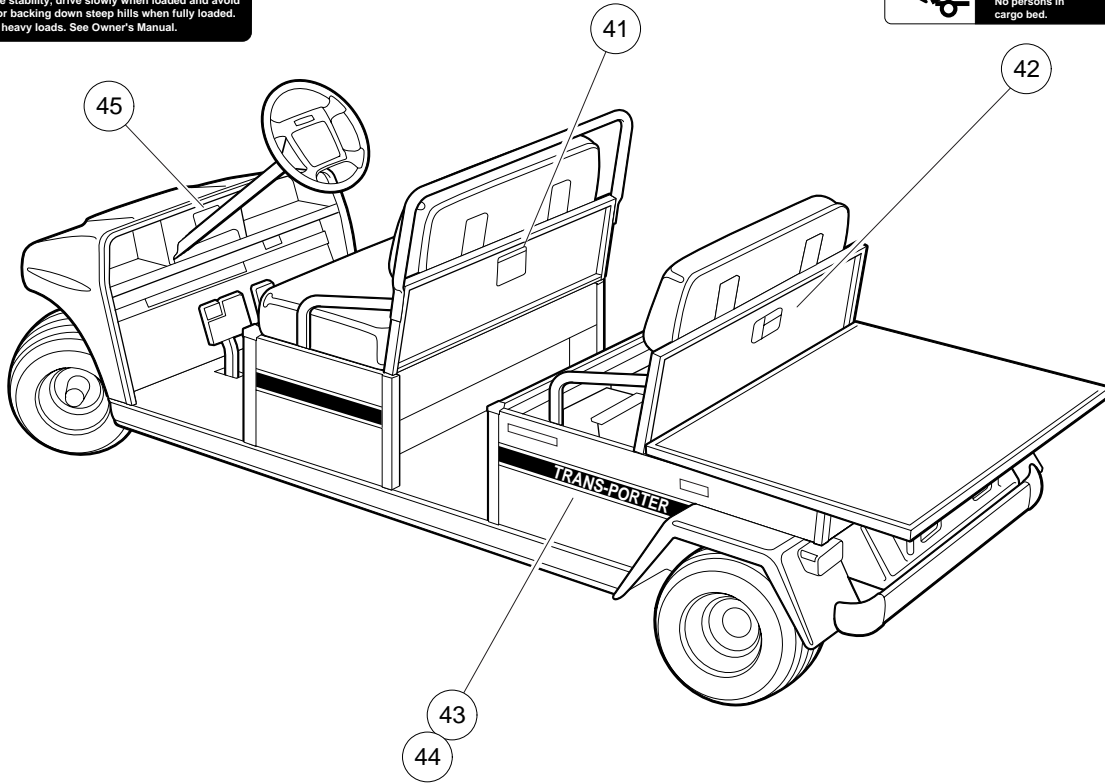
**PASSENGER
WARNING DECAL**

WARNING
Failure to follow these instructions can cause severe injury or death.

- Avoid standing in front of or behind vehicle
- No more than two persons per passenger seat.
- Remain seated and hold on in moving vehicle
- Keep arms, legs, feet and body inside vehicle
- Do not leave children unattended on seat while vehicle is moving.

**BED LOAD
WARNING DECAL**

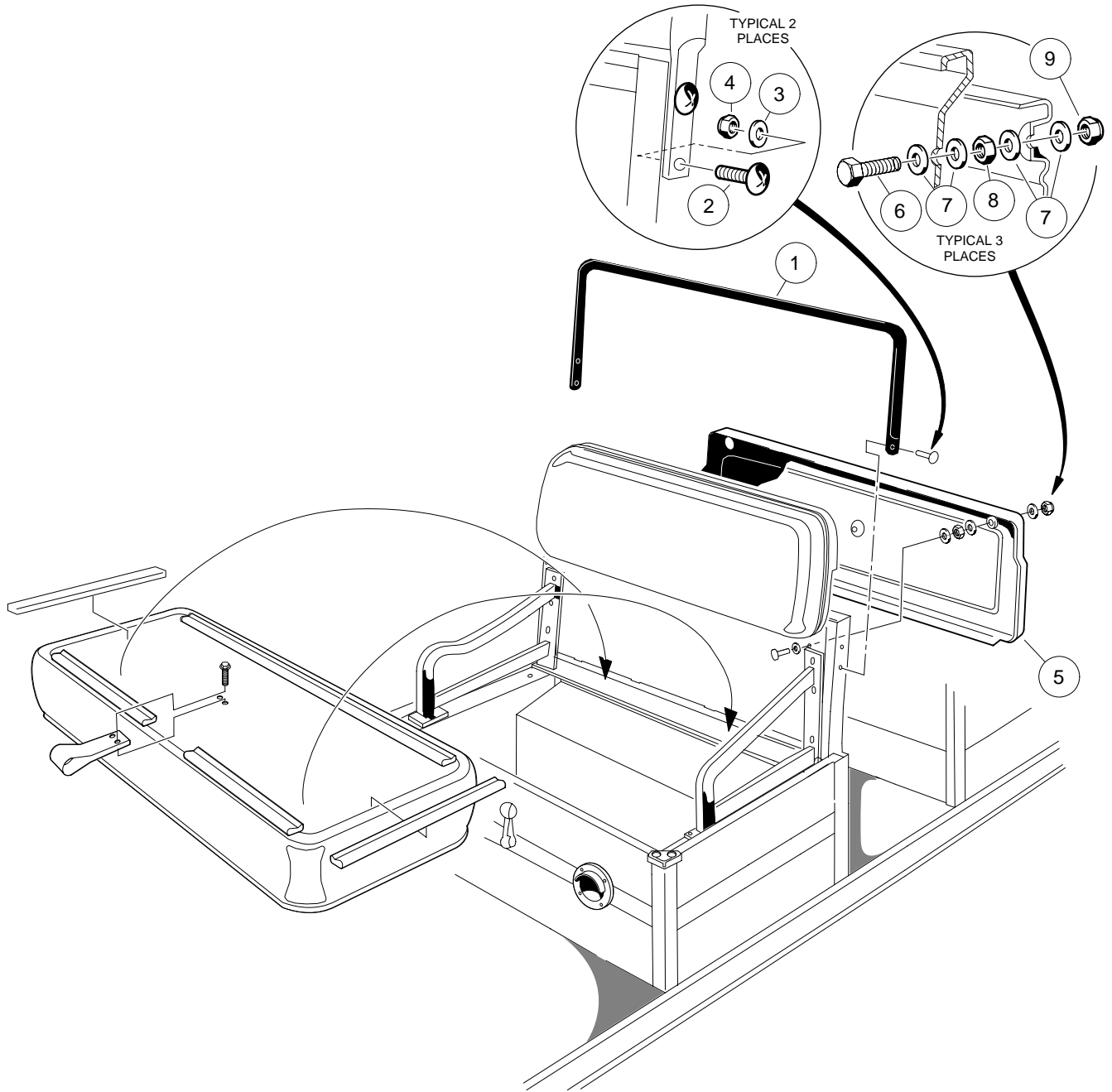
WARNING
No persons in cargo bed.



CARRYALL VITO TRANS-PORTER CONVERSION KIT SAFETY DECALS

ITEM	PART NO.	DESCRIPTION	QTY GAS	QTY ELEC
		1 2 3 4		
41	1017057	DECAL, PASSENGER WARNING	1	1
42	1015539	DECAL, BED LOAD WARNING	1	1
43	1016725-01	DECAL, TRANS-PORTER (PASSENGER SIDE)	1	1
44	1016725-02	DECAL, TRANS-PORTER (DRIVER SIDE)	1	1
45	1016716	DECAL, VEHICLE LOADING	1	1

1
G
E



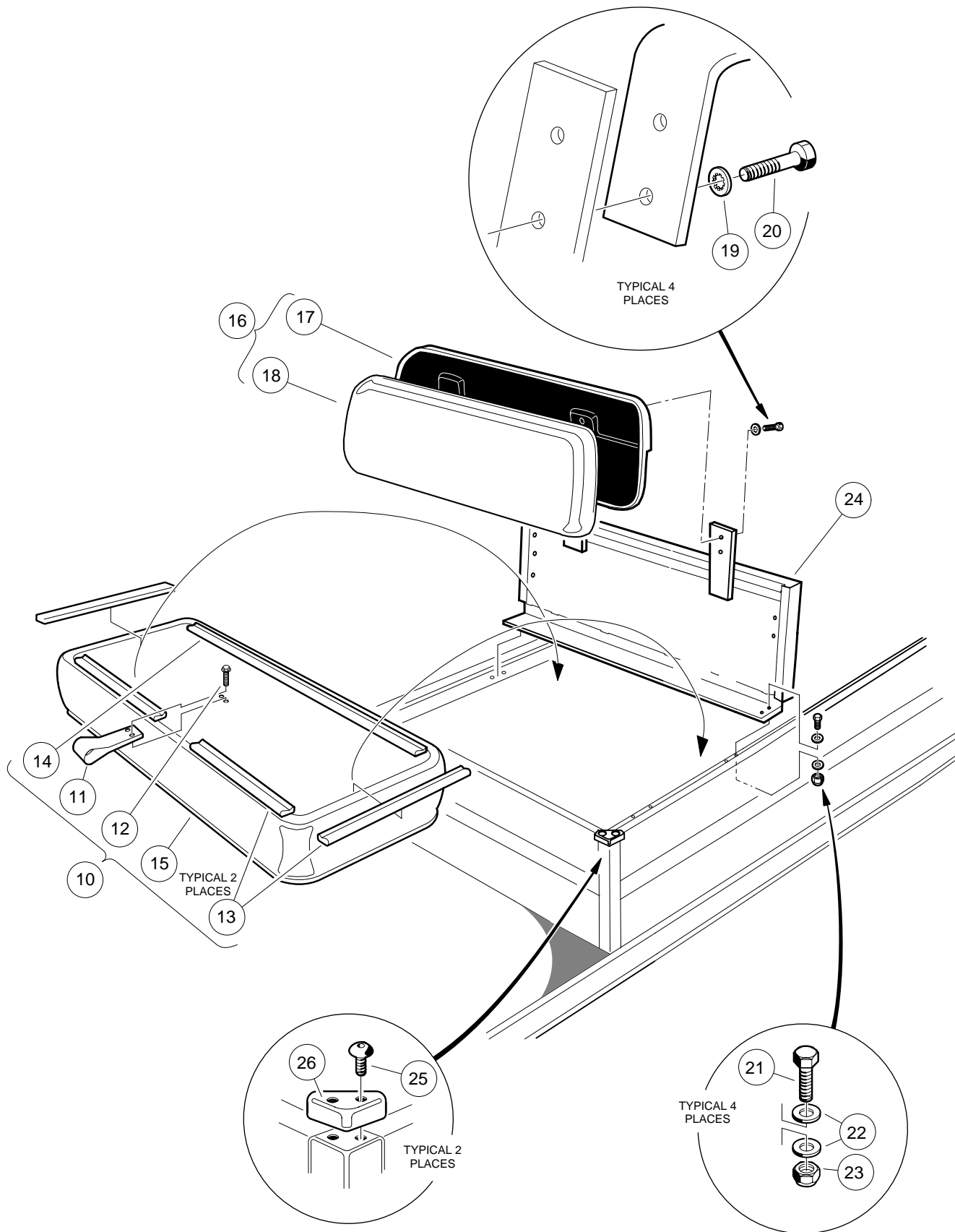
CARRYALL VI TO TRANS-SENDER CONVERSION KIT FIRST SEAT - HANDRAIL AND COVER

ITEM	PART NO.	DESCRIPTION	QTY GAS	QTY ELEC
		1 2 3 4		
	1017366-01	CONVERSION KIT (CARRYALL VI TO TRANS-SENDER) WHITE (INCLUDES ITEMS 1 - 72)	1	1
	1017366-02	CONVERSION KIT (CARRYALL VI TO TRANS-SENDER) GREY (INCLUDES ITEMS 1 - 72)	1	1
	1017366-04	CONVERSION KIT (CARRYALL VI TO TRANS-SENDER) BLACK (INCLUDES ITEMS 1 - 72)	1	1
1	1016670	HANDRAIL	1	1
2	0008248	SCREW, PHILLIPS TRUSS HEAD, 1/4 - 20 x 3/4	4	4
3	0000332	WASHER, FLAT, 1/4	4	4
4	0008233	NUT, NYLON LOCK, 1/4 - 20	4	4
5	1016970	COVER, SEAT BACK SUPPORT	1	1
6	1010934	SCREW, HEX HEAD CAP, 5/16 - 18 x 1	3	3
7	0001241	WASHER, FLAT, 5/16	12	12
8	0001242	NUT, HEX, 5/16 - 18	3	3
9	0007473	NUT, NYLON LOCK, 5/16 - 18	3	3

1

G

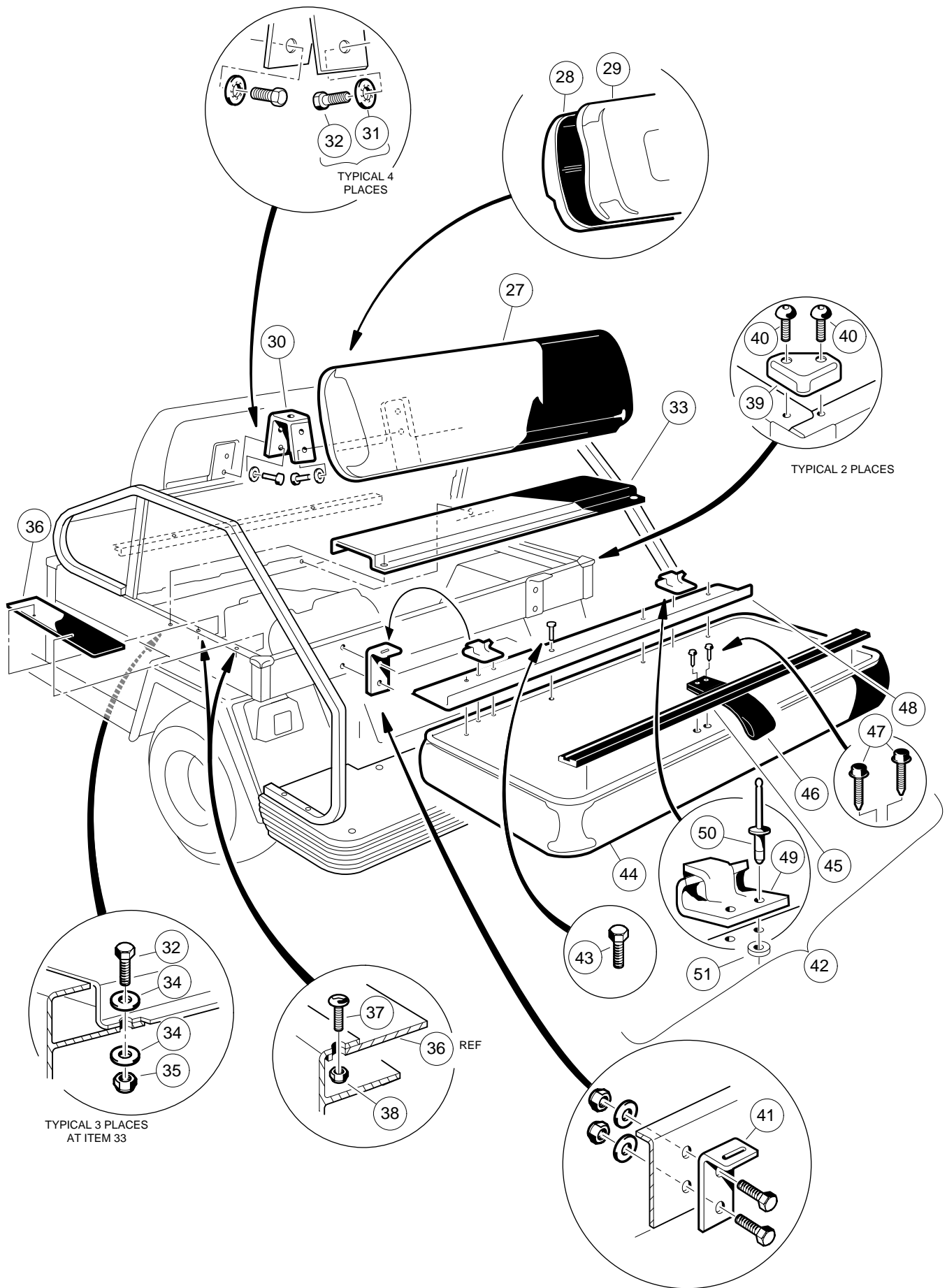
E



CARRYALL VI TO TRANS-SENDER CONVERSION KIT SECOND SEAT AND SUPPORT STRUCTURE

ITEM	PART NO.	DESCRIPTION	QTY GAS	QTY ELEC
		1 2 3 4		
10	1015645-02	ASSEMBLY, SEAT BOTTOM - WHITE (INCLUDES ITEMS 11 - 15)	1	1
10	1015645-03	ASSEMBLY, SEAT BOTTOM - BLACK (INCLUDES ITEMS 11 - 15)	1	1
10	1015645-05	ASSEMBLY, SEAT BOTTOM - GRAY (INCLUDES ITEMS 11 - 15)	1	1
11	1013309	STRAP, SEAT BOTTOM	1	1
12	1010545	SCREW, HEX WASHER HEAD, 1/4 - 14 x 3/4	2	2
13	1013311	BUMPER, SEAT - SHORT	4	4
14	1013312	BUMPER, SEAT - LONG	1	1
15	1015627-02	COVER, VINYL SEAT BOTTOM - WHITE	1	1
15	1015627-04	COVER, VINYL SEAT BOTTOM - BLACK	1	1
15	1015627-10	COVER, VINYL SEAT BOTTOM - GRAY	1	1
16	1016777-01	ASSEMBLY, SEAT BACK - WHITE (INCLUDES ITEMS 17 AND 18)	1	1
16	1016777-02	ASSEMBLY, SEAT BACK - BLACK (INCLUDES ITEMS 17 AND 18)	1	1
16	1016777-05	ASSEMBLY, SEAT BACK - GRAY (INCLUDES ITEMS 17 AND 18)	1	1
17	1016751	CAP, SEAT BACK	1	1
18	1016755-02	COVER, VINYL SEAT BACK - WHITE	1	1
18	1016755-04	COVER, VINYL SEAT BACK - BLACK	1	1
18	1016755-06	COVER, VINYL SEAT BACK - GRAY	1	1
19	0008304	WASHER, INTERNAL TOOTH LOCK, 1/4	4	4
20	0007479	SCREW, HEX HEAD CAP, 1/4 - 20 x 1 1/4	4	4
21	1010934	SCREW, HEX HEAD CAP, 5/16 - 18 x 1	4	4
22	0001241	WASHER, FLAT, 5/16	8	8
23	0007473	NUT, NYLON LOCK, 5/16 - 18	4	4
24	1016723	ASSEMBLY, SEAT SUPPORT PANEL	1	1
25	1014321	SCREW, TORX TRUSS HEAD, #10 - 24 x 3/8	4	4
26	1014387	CAP, CORNER	2	2

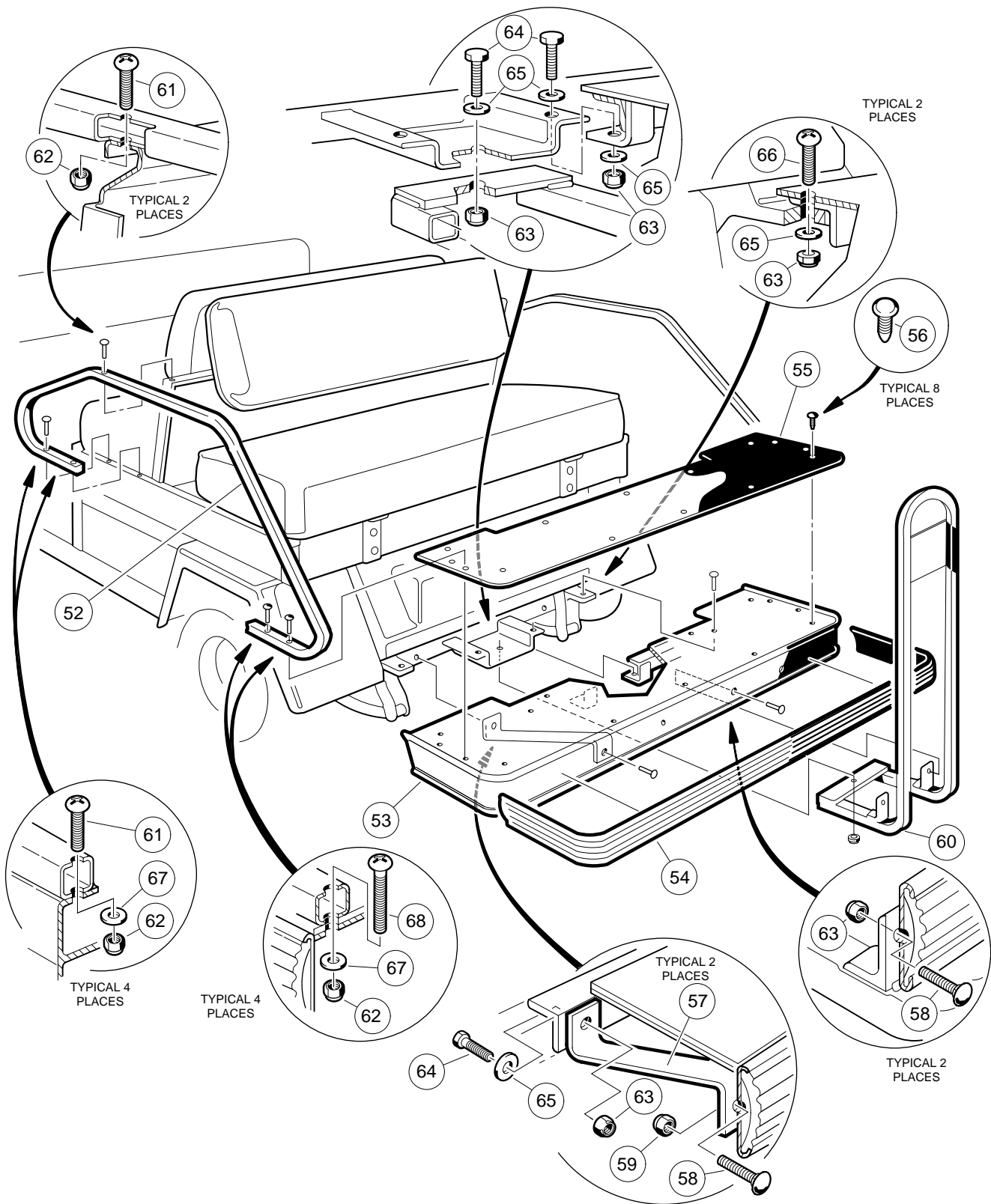
1
G
E



CARRYALL VI TO TRANS-SENDER CONVERSION KIT THIRD SEAT AND COMPONENTS

ITEM	PART NO.	DESCRIPTION	QTY GAS	QTY ELEC
		1 2 3 4		
27	1016777-01	ASSEMBLY, SEAT BACK - WHITE (INCLUDES ITEMS 28 AND 29)	1	1
27	1016777-02	ASSEMBLY, SEAT BACK - BLACK (INCLUDES ITEMS 28 AND 29)	1	1
27	1016777-05	ASSEMBLY, SEAT BACK - GRAY (INCLUDES ITEMS 28 AND 29)	1	1
28	1016751	CAP, SEAT BACK	1	1
29	1016755-02	COVER, VINYL SEAT BACK - WHITE	1	1
29	1016755-04	COVER, VINYL SEAT BACK - BLACK	1	1
29	1016755-05	COVER, VINYL SEAT BACK - GRAY	1	1
30	1016839	BRACKET, SEAT BACK MOUNTING	2	2
31	0008304	WASHER, INTERNAL TOOTH LOCK, 1/4	4	4
32	0007847	SCREW, HEX HEAD CAP, 1/4 - 20 x 3/4	7	7
33	1016816	SUPPORT, REAR SEAT	1	1
34	0000332	WASHER, FLAT, 1/4	6	6
35	0008233	NUT, NYLON LOCK, 1/4 - 20	3	3
36	1016930	PANEL, REAR SEAT FRAME	2	2
37	1013169	SCREW, ROUND HEAD SLOTTED MACHINE, #10 - 32 x 1/2	4	4
38	1013061	NUT, NYLON LOCK, #10 - 32	4	4
39	1014387	CAP, CORNER	2	2
40	1014321	SCREW, TORX TRUSS HEAD, #10 - 24 x 3/8	4	4
41	1016819	BODY, SEAT HINGE	2	2
42	1016841-02	ASSEMBLY, SEAT BOTTOM, WHITE (INCLUDES ITEMS 43 - 51)	1	1
42	1016841-03	ASSEMBLY, SEAT BOTTOM, BLACK (INCLUDES ITEMS 43 - 51)	1	1
42	1016841-05	ASSEMBLY, SEAT BOTTOM, GRAY (INCLUDES ITEMS 43 - 51)	1	1
43	0000304	SCREW, HEX HEAD CAP, 1/4 - 20 x 1	4	4
44	1015627-02	COVER, VINYL SEAT BOTTOM - WHITE	1	1
44	1015627-04	COVER, VINYL SEAT BOTTOM - BLACK	1	1
44	1015627-10	COVER, VINYL SEAT BOTTOM - GRAY	1	1
45	1013312	BUMPER, LONG SEAT	1	1
46	1013309	STRAP, SEAT BOTTOM	1	1
47	1010545	SCREW, HEX WASHER HEAD, 1/4 - 14 x 3/4	2	2
48	1016824	ANGLE, SEAT HINGE	1	1
49	1011652	PLATE, SEAT HINGE	2	2
50	1018809-01	RIVET, POP, STAINLESS STEEL, 3/16	4	4
51	1018817-01	WASHER, FLAT, STAINLESS STEEL, #8	4	4

1
G
E



CARRYALL VI TO TRANS-SENDER CONVERSION KIT REAR FOOTREST AND HANDRAILS

ITEM	PART NO.	DESCRIPTION	QTY GAS	QTY ELEC
		1 2 3 4		
52	1018463-01	ARMREST, REAR SEAT	2	2
53	1016843	ASSEMBLY, REAR FOOTREST (INCLUDES ITEMS 54 - 59)	1	1
54	1016835	GUARD, BUMPER	1	1
55	1016838	MAT, FOOTREST	1	1
56	1010434	FASTENER, PLASTIC BARREL	8	8
57	1016668	BAR, CONNECTING	2	2
58	1010435	BOLT, CARRIAGE, 5/16 - 18 x 1	4	4
59	0007473	NUT, NYLON LOCK, 5/16 - 18	2	2
60	1016842	HANDRAIL, REAR SEAT	1	1
61	0008418	SCREW, PHILLIPS TRUSS HEAD, 1/4 - 20 x 1 1/2	6	6
62	0008233	NUT, NYLON LOCK, 1/4 - 20	10	10
63	0007473	NUT, NYLON LOCK, 5/16 - 18	9	9
64	0001218	SCREW, HEX HEAD CAP, 5/16 - 18 x 1 1/4	5	5
65	0001241	WASHER, FLAT, 5/16	9	9
66	0007410	SCREW, PHILLIPS TRUSS HEAD, 5/16 - 18 x 1 1/4	2	2
67	0000332	WASHER, FLAT, 1/4	8	8
68	1011988	SCREW, PHILLIPS TRUSS HEAD, 1/4 - 20 x 2	4	4

1
G
E

**VEHICLE LOADING
DECAL**

VEHICLE LOADING

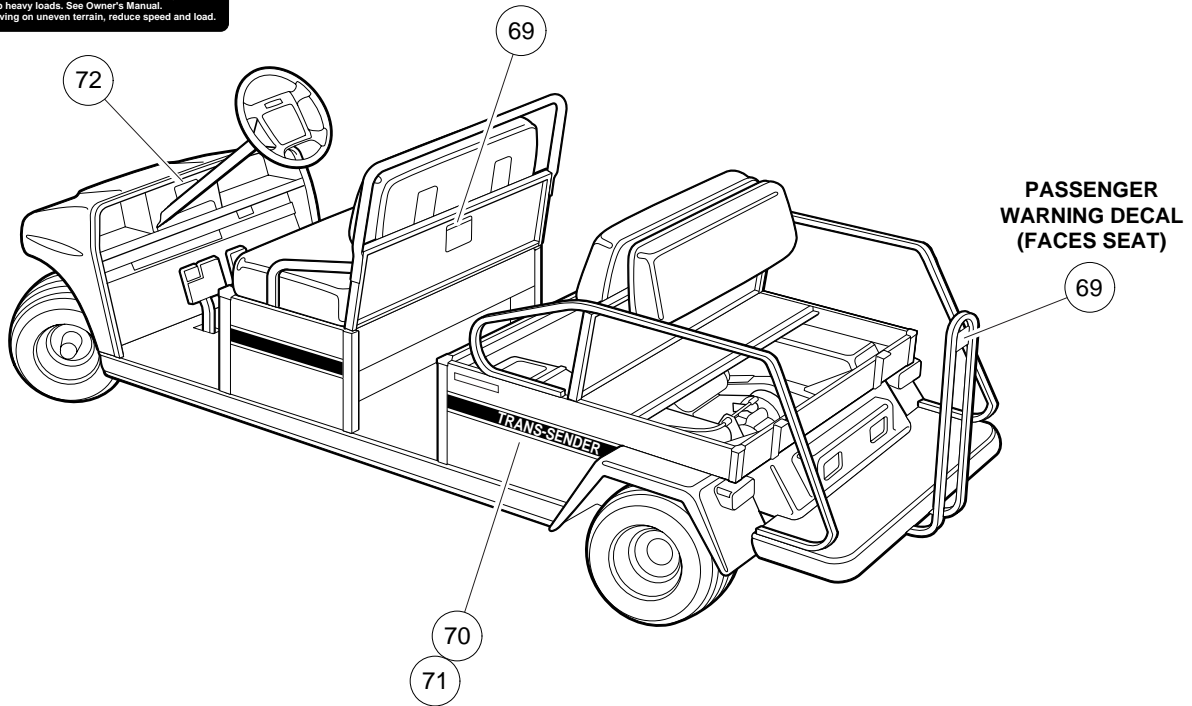
- Vehicle rated capacity - 1500 lbs. on level surface only. Weight to include passengers, cargo bed load, and gross trailer weight. See Owner's manual.
- Maximum cargo bed load - 1000 lbs. Weight to include cargo bed load (500 lbs. MAX.) and gross trailer weight.
- Maximum trailer hitch tongue weight - 150 lbs.
- No more than two people in each passenger seat.
- Cargo should be evenly spread over the floor of cargo bed as far forward as possible and secured.
- Secure loads to prevent load shifting.
- For vehicle stability, drive slowly when loaded and avoid stopping or backing down steep hills when fully loaded.
- Avoid top heavy loads. See Owner's Manual.
- When driving on uneven terrain, reduce speed and load.

**PASSENGER
WARNING DECAL**

WARNING

Failure to follow these instructions can cause serious injury or death.

- Avoid standing in front of or behind vehicle
- No more than two persons per passenger seat.
- Remain seated and hold on in moving vehicle
- Keep arms, legs, feet and body inside vehicle
- Do not leave children unattended on seat while vehicle is moving.



CARRYALL VI TO TRANS-SENDER CONVERSION KIT SAFETY DECALS

ITEM	PART NO.	DESCRIPTION	QTY GAS	QTY ELEC
		1 2 3 4		
69	1017057	DECAL, PASSENGER WARNING	2	2
70	1016726-01	DECAL, TRANS-SENDER (PASSENGER SIDE)	1	1
71	1016726-02	DECAL, TRANS-SENDER (DRIVER SIDE)	1	1
72	1016716	DECAL, VEHICLE LOADING	1	1

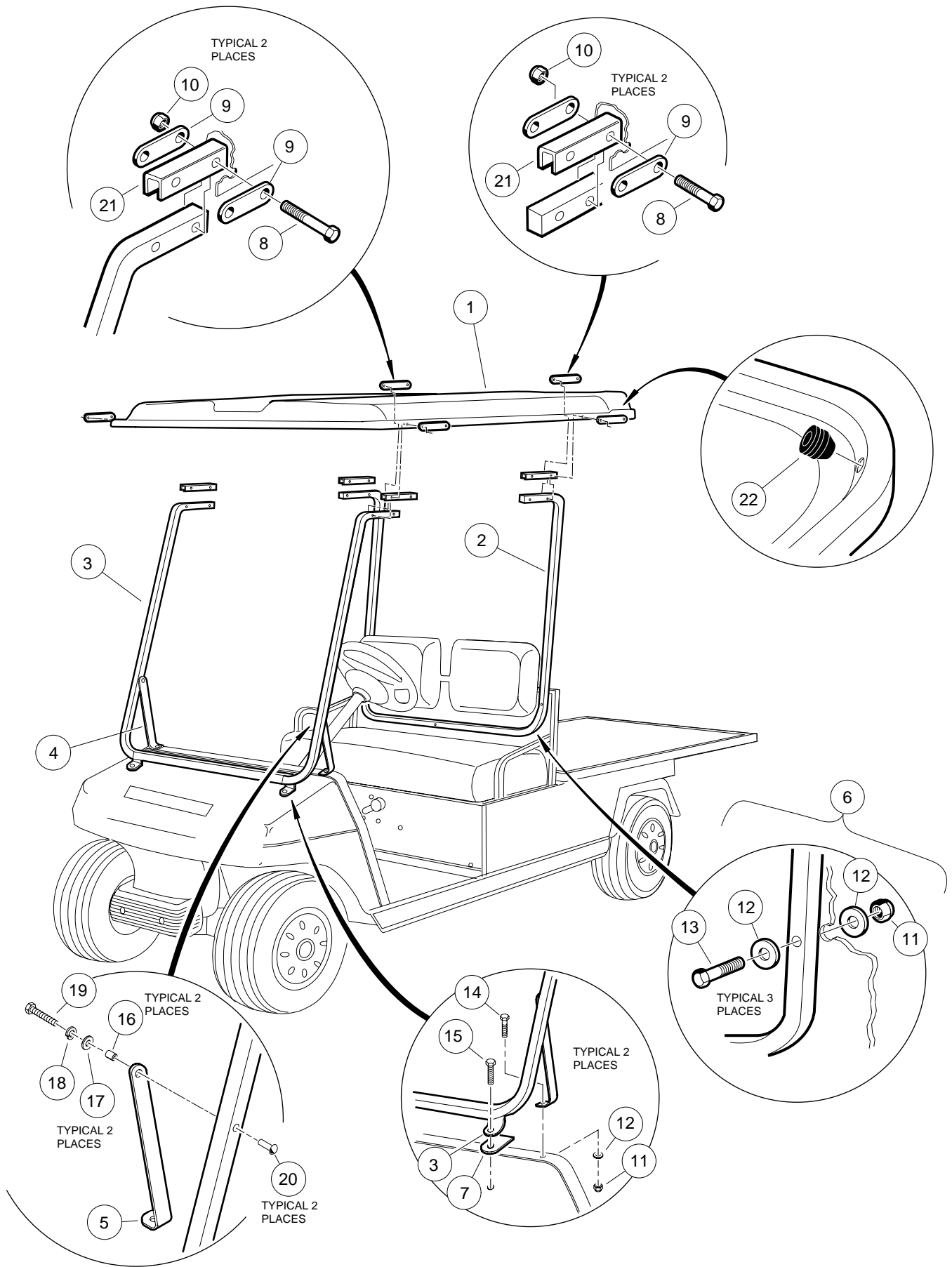
1
G
E

PASSENGER ENCLOSURE AND CANOPY KITS

2

G

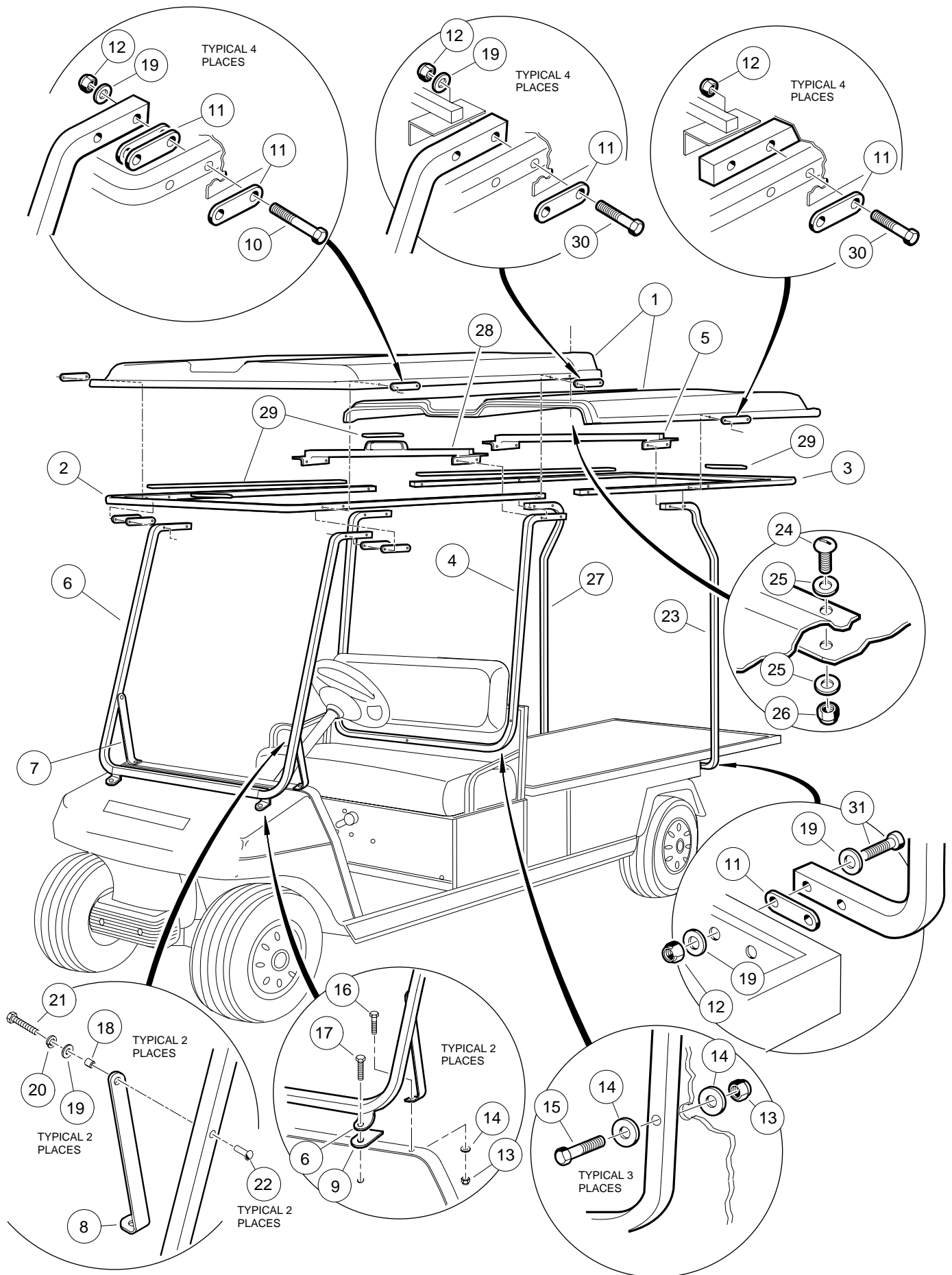
E



CANOPY KIT, STANDARD LENGTH

ITEM	PART NO.	DESCRIPTION	QTY GAS	QTY ELEC
		1 2 3 4		
	1014506	KIT, CANOPY (INCLUDES ITEMS 1 - 21)	1	1
1	1014509	CANOPY (WHITE)	1	1
2	1014503	BRACE, REAR CANOPY	1	1
3	1011868	ASSEMBLY, WINDSHIELD FRAME	1	1
4	1011862	BRACE, KNEE, RIGHT	1	1
5	1011865	BRACE, KNEE, LEFT	1	1
6	1016855	KIT, CANOPY MOUNTING HARDWARE (INCLUDES ITEMS 7 - 15)	1	1
7	1011883	PAD, WINDSHIELD FRAME MOUNTING	2	2
8	0007311	SCREW, HEX HEAD CAP, 1/4 - 20 x 2	8	8
9	1011852	PLATE, CANOPY TRIM	8	8
10	0008233	NUT, NYLON LOCK, 1/4 - 20	8	8
11	0007473	NUT, NYLON LOCK, 5/16 - 18	4	4
12	0001241	WASHER, FLAT, 5/16	6	6
13	0008963	SCREW, HEX HEAD CAP, 5/16 - 18 x 1 3/4	3	3
14	0001218	SCREW, HEX HEAD CAP, 5/16 - 18 x 1 1/4	2	2
15	1011937	SCREW, HEX HEAD CAP, 5/16 - 18 x 1 1/4 (WITH PATCH)	2	2
16	1010237	BUSHING	2	2
17	1011964	WASHER, FLAT, 1/4	2	2
18	1011965	WASHER, LOCK, 1/4	2	2
19	0001703	SCREW, HEX HEAD CAP, 1/4 - 20 x 1 1/2	2	2
20	1011878	NUT, CAPPED TEE	2	2
21	1012008	SUPPORT, SIDE CANOPY	4	4
22	1011942	GROMMET, MODIFIED	2	2

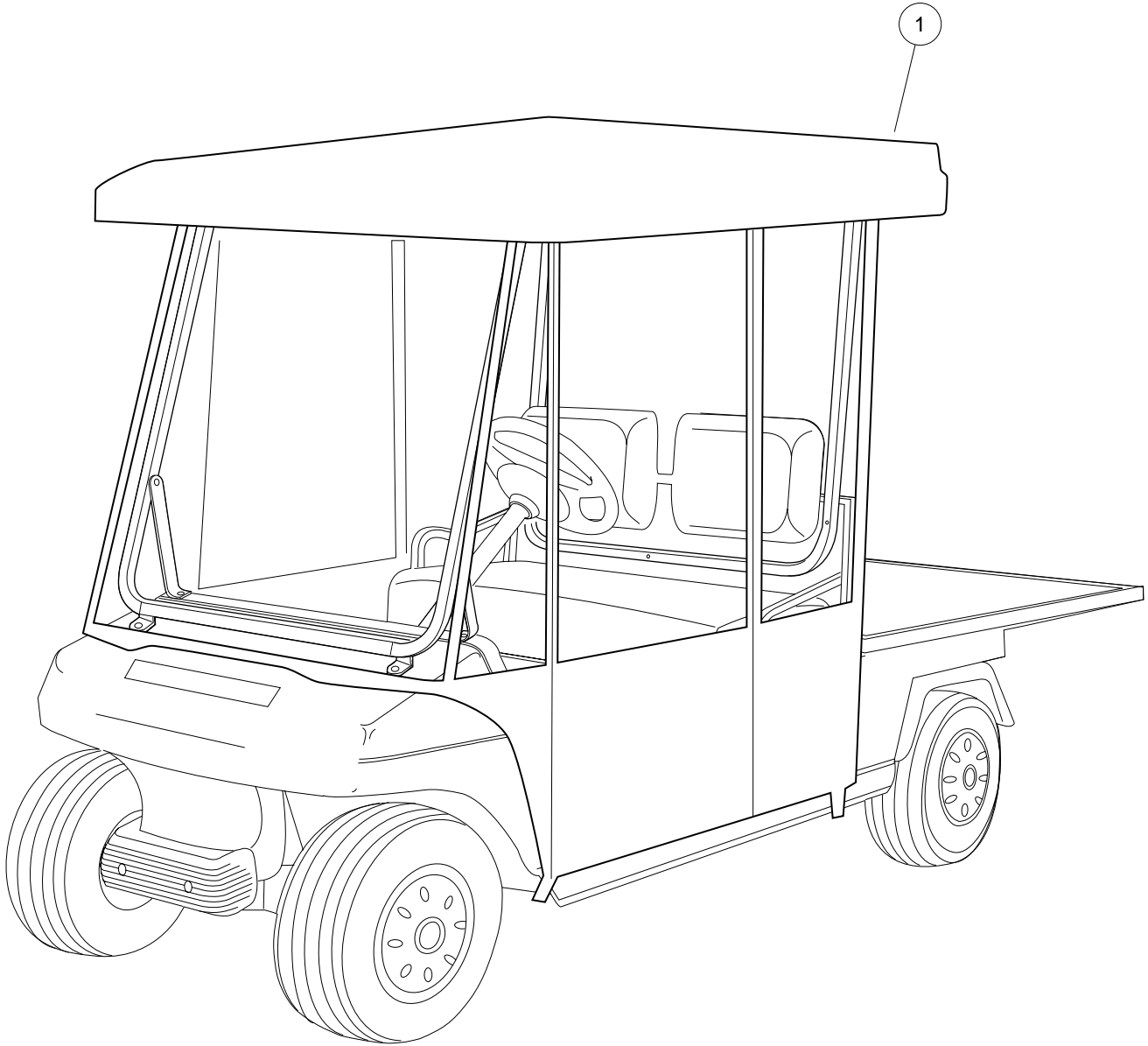
2
G
E



CANOPY KIT, LONG - CARRYALL VI

ITEM	PART NO.	DESCRIPTION	QTY GAS	QTY ELEC
		1 2 3 4		
	1017979-01	KIT, CANOPY (INCLUDES ITEMS 1 - 31)	1	1
1	1016799-02	CANOPY, FRONT AND REAR (WHITE)	1	1
2	1016793	SUPPORT, TOP, FRONT	1	1
3	1016794	SUPPORT, TOP, REAR	1	1
4	1016790	BRACE, REAR CANOPY	1	1
5	1016781	WELDMENT, REAR HANGER	1	1
6	1011868	ASSEMBLY, WINDSHIELD FRAME	1	1
7	1011862	BRACE, KNEE, RIGHT	1	1
8	1011865	BRACE, KNEE, LEFT	1	1
9	1011883	PAD, WINDSHIELD FRAME MOUNTING	2	2
10	0000343	SCREW, HEX HEAD CAP, 1/4 - 20 x 3	4	4
11	1011852	PLATE, CANOPY TRIM	12	12
12	0008233	NUT, NYLON LOCK, 1/4 - 20	16	16
13	0007473	NUT, NYLON LOCK, 5/16 - 18	3	3
14	0001241	WASHER, FLAT, 5/16	6	6
15	1010577	SCREW, HEX HEAD CAP, 5/16 - 18 x 1 1/2	3	3
16	0001218	SCREW, HEX HEAD CAP, 5/16 - 18 x 1 1/4	2	2
17	1011937	SCREW, HEX HEAD CAP, 5/16 - 18 x 1 1/4 (WITH PATCH)	2	2
18	1010237	BUSHING	2	2
19	1011964	WASHER, FLAT, 1/4, STAINLESS STEEL	18	18
20	1011965	WASHER, LOCK, 1/4, STAINLESS STEEL	2	2
21	0001703	SCREW, HEX HEAD CAP, 1/4 - 20 x 1 1/2	2	2
22	1011878	NUT, CAPPED TEE	2	2
23	1017987	SUPPORT, SIDE CANOPY - LEFT	1	1
24	0008104	SCREW, ROUND HEAD, #10 - 32 x 3/4	8	8
25	0000183	WASHER, FLAT, #10	16	16
26	1013061	NUT, NYLON LOCK, #10 - 32	8	8
27	1017980	SUPPORT, SIDE CANOPY - RIGHT	1	1
28	1017185	WELDMENT, FRONT HANGER	1	1
29	1014471	INSULATION	A/R	A/R
30	1012159	SCREW, HEX HEAD CAP, 1/4 - 20 x 2 3/4	8	8
31	1013509	SCREW, HEX HEAD CAP, 1/4 - 20 x 1 3/4	4	4

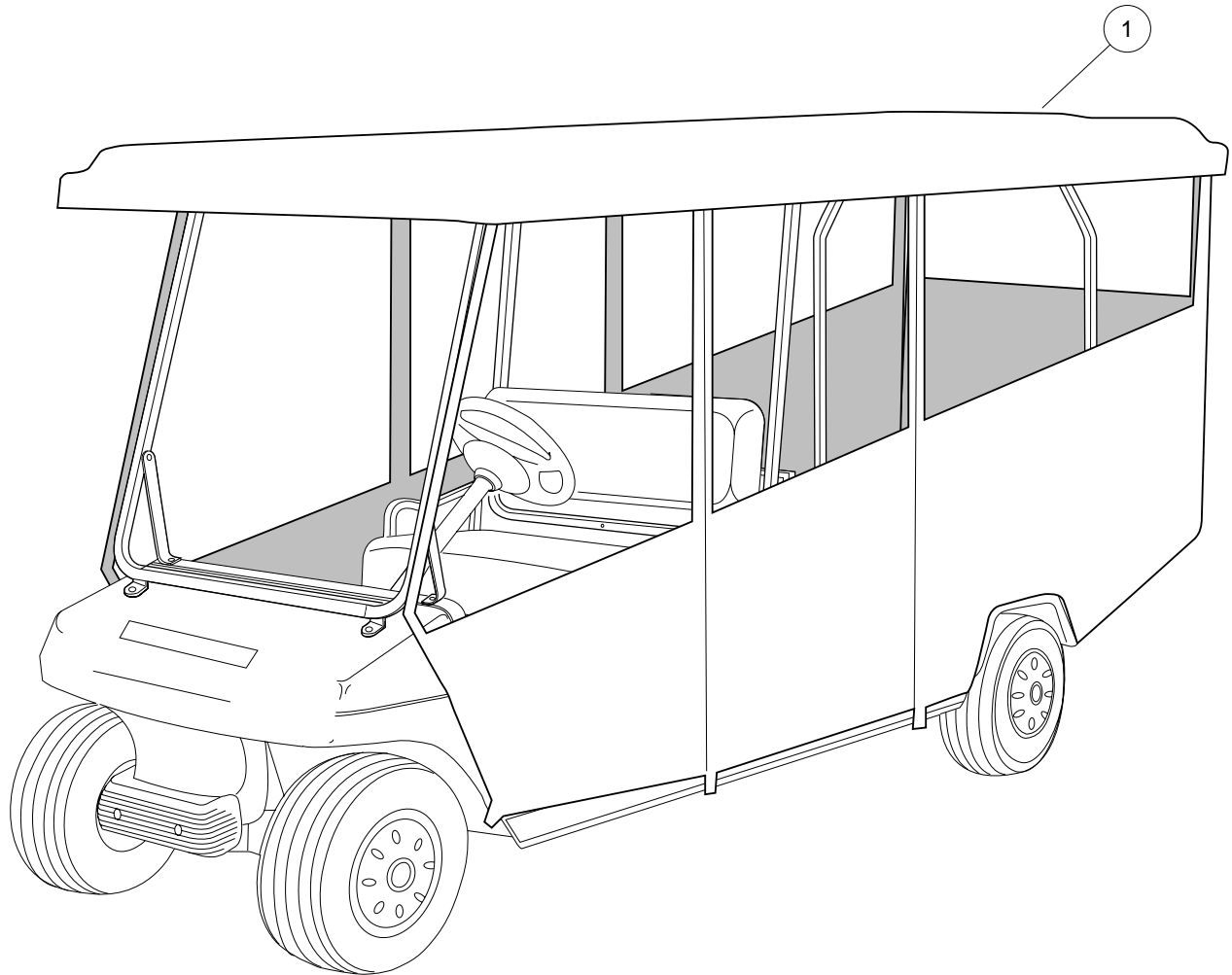
2
G
E



WEATHERPROOF ENCLOSURE

ITEM	PART NO.	DESCRIPTION	QTY GAS	QTY ELEC
		1 2 3 4 TO INSTALL THIS KIT, VEHICLE MUST BE EQUIPPED WITH A STANDARD CANOPY KIT.		
1	1014859	ENCLOSURE, CANVAS, FOUR-SIDED (WHITE) - CARRYALL I	1	1
1	1018210-01	ENCLOSURE, CANVAS, THREE-SIDED (BEIGE)	1	1
1	1018210-02	ENCLOSURE, CANVAS, THREE-SIDED (WHITE)	1	1

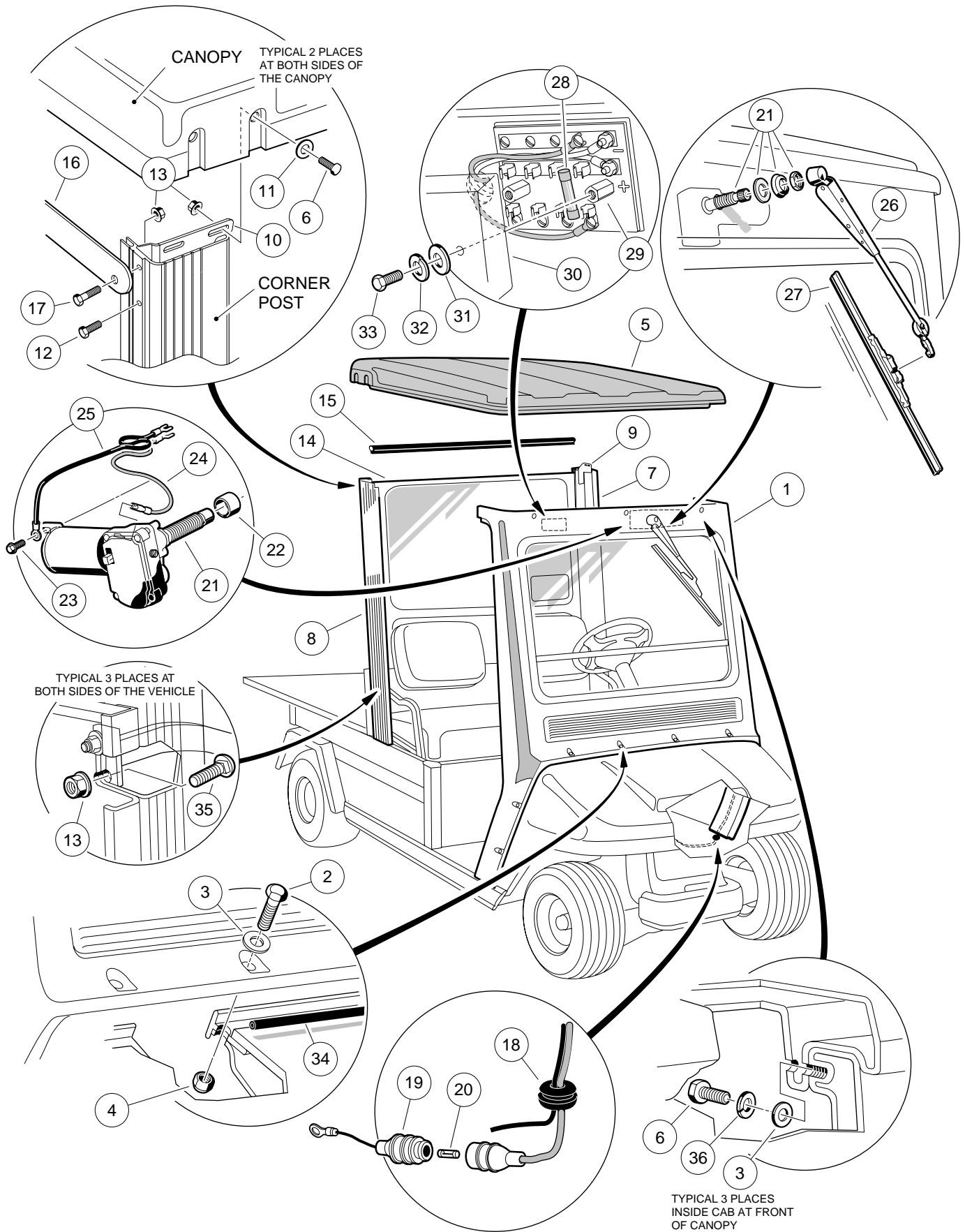
2
G
E



WEATHERPROOF ENCLOSURE, THREE-SIDED CARRYALL VI

ITEM	PART NO.	DESCRIPTION	QTY GAS	QTY ELEC
1	1017170-02	<p>1 2 3 4</p> <p style="text-align: center;">TO INSTALL THIS KIT, VEHICLE MUST BE EQUIPPED WITH A LONG CANOPY KIT.</p> <p>ENCLOSURE, CANVAS (WHITE) - CARRYALL VI</p>	1	1

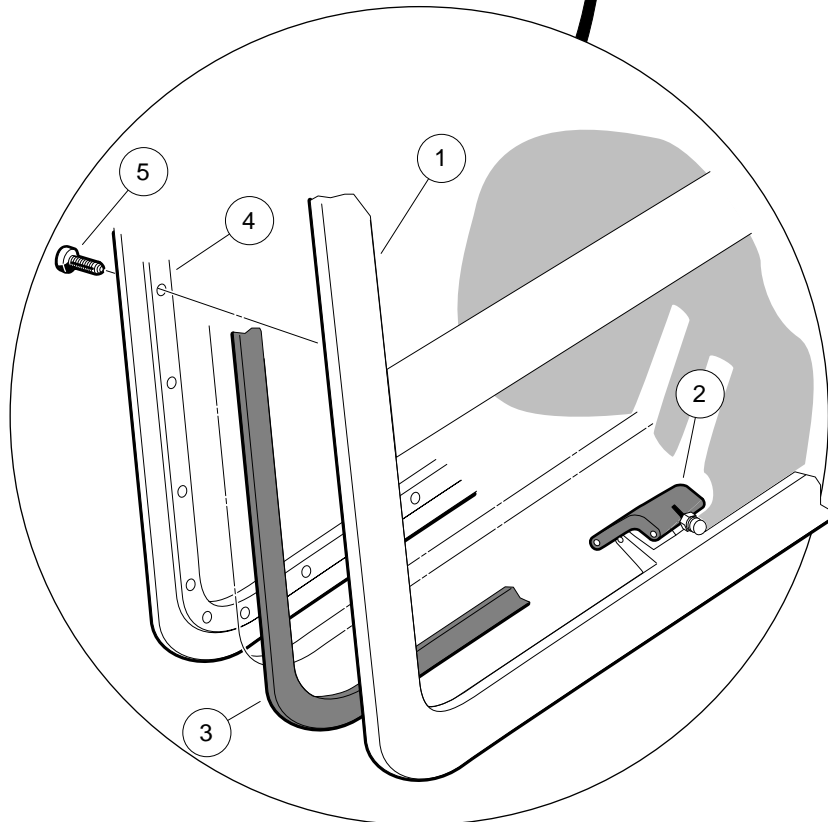
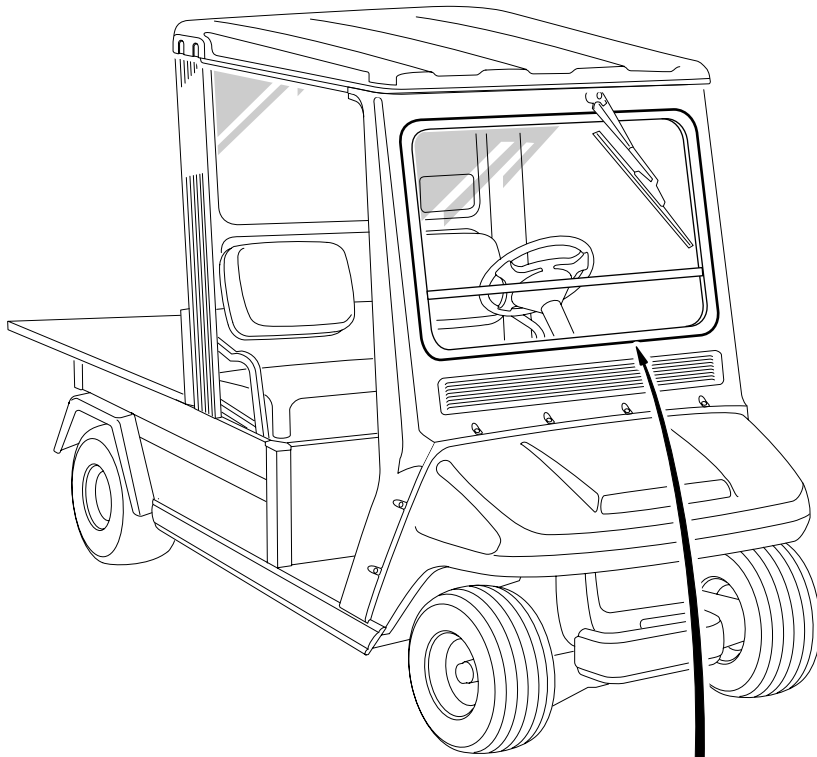
2
G
E



CUSTOM CAB KIT

ITEM	PART NO.	DESCRIPTION	QTY GAS	QTY ELEC
		1 2 3 4		
		CUSTOM CAB KIT INCLUDES THE WINDSHIELD WIPER, BUT DOES NOT INCLUDES DOORS (SEE SECTION 3 FOR DOORS).		
	1017726-01	KIT, CUSTOM CAB - GRAY (INCLUDES ITEMS 1 - 34)	1	1
	1017726-02	KIT, CUSTOM CAB - WHITE (INCLUDES ITEMS 1 - 34)	1	1
1	1017716-01	ASSEMBLY, FRONT PANEL - GRAY	1	1
1	1017716-02	ASSEMBLY, FRONT PANEL - WHITE	1	1
2	0001703	SCREW, HEX HEAD, 1/4 - 20 x 1 1/2	8	8
3	1011931	WASHER, FLAT, 1/4, TYPE A	11	11
4	0008233	NUT, NYLON LOCK, 1/4 - 20	8	8
5	1017715-01	ASSEMBLY, CANOPY - GRAY	1	1
5	1017715-02	ASSEMBLY, CANOPY - WHITE	1	1
6	0000304	SCREW, HEX HEAD, 1/4 - 20 x 1	7	7
7	1018498-01	POST, CORNER, DRIVER'S SIDE	1	1
8	1018497-01	POST, CORNER, PASSENGER'S SIDE	1	1
9	1018499-01	BRACKET, CANOPY SUPPORT, DRIVER'S SIDE	1	1
10	1018499-02	BRACKET, CANOPY SUPPORT, PASSENGER'S SIDE	1	1
11	0000332	WASHER, FLAT, 1/4	10	10
12	0000403	SCREW, HEX HEAD, 1/4 - 20 x 5/8	2	2
13	1018356-01	NUT, FLANGED LOCK, 1/4 - 20	18	18
14	1015132	WINDOW, REAR	1	1
15	1014618	SEAL, TRIM	1	1
16	1019114-01	KIT, SUPPORT BRACE (INCLUDES ITEM 17)	1	1
17	1015521	SCREW, HEX HEAD, 1/4 - 20 x 7/8	2	2
18	0007861	GROMMET	1	1
19	1019457-01	FUSE ASSEMBLY (INCLUDES ITEM 20)	1	1
20	1019417-01	FUSE, 30 AMP	1	1
	1017931	KIT, WINDSHIELD WIPER (INCLUDES ITEMS 21 - 28)	1	1
21	1014977	MOTOR ASSEMBLY, WIPER	1	1
22	1014797	TUBE, SPACER	1	1
23	0008450	SCREW, HEX HEAD, #10 - 32 x 5/8	1	1
24	1018033	WIRE ASSEMBLY, RED	1	1
25	1018034	WIRE ASSEMBLY, BLACK	1	1
26	1014979	ARM, WIPER	1	1
27	1014980	BLADE, WIPER	1	1
28	1015011	FUSE, 10 AMP	1	1
29	1018012	STAND-OFF, FUSE COVER	2	2
30	1018011	COVER, CAB FUSE PANEL	1	1
31	0000183	WASHER, FLAT, #10	2	2
32	0001016	WASHER, LOCK, #10	2	2
33	0008450	SCREW, HEX HEAD, #10 - 24 x 1/2	2	2
34	1017719	GASKET	A/R	A/R
35	1019586-02	BOLT, CARRIAGE, 1/4 - 20 x 1	10	10
36	0000451	WASHER, LOCK, 1/4	3	3

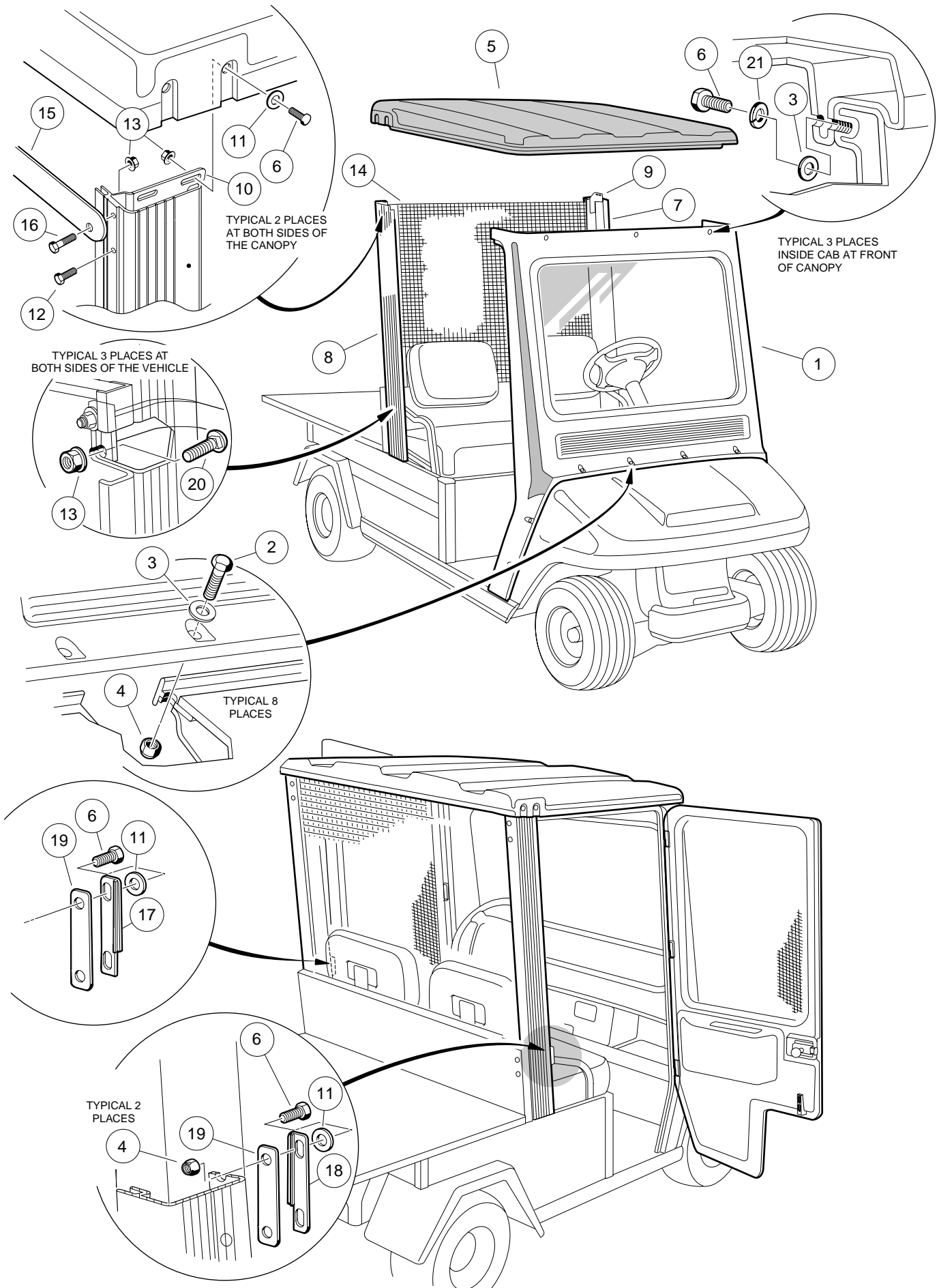
2
G
E



WINDSHIELD COMPONENTS FOR CUSTOM CAB KIT

ITEM	PART NO.	DESCRIPTION	QTY GAS	QTY ELEC
		1 2 3 4		
1	1017717	WINDSHIELD WITH VENTED GLASS (INCLUDES ITEMS 2 AND 3)	1	1
2	1019410-01	LATCH, VENT WINDOW	2	2
3	1019411-01	GASKET, WINDSHIELD	A/R	A/R
4	1017718	CLAMP, TRIM RING	1	1
5	1019404-01	SCREW, PAN HEAD, #18 - 18 x 3/4, TYPE AB	17	17

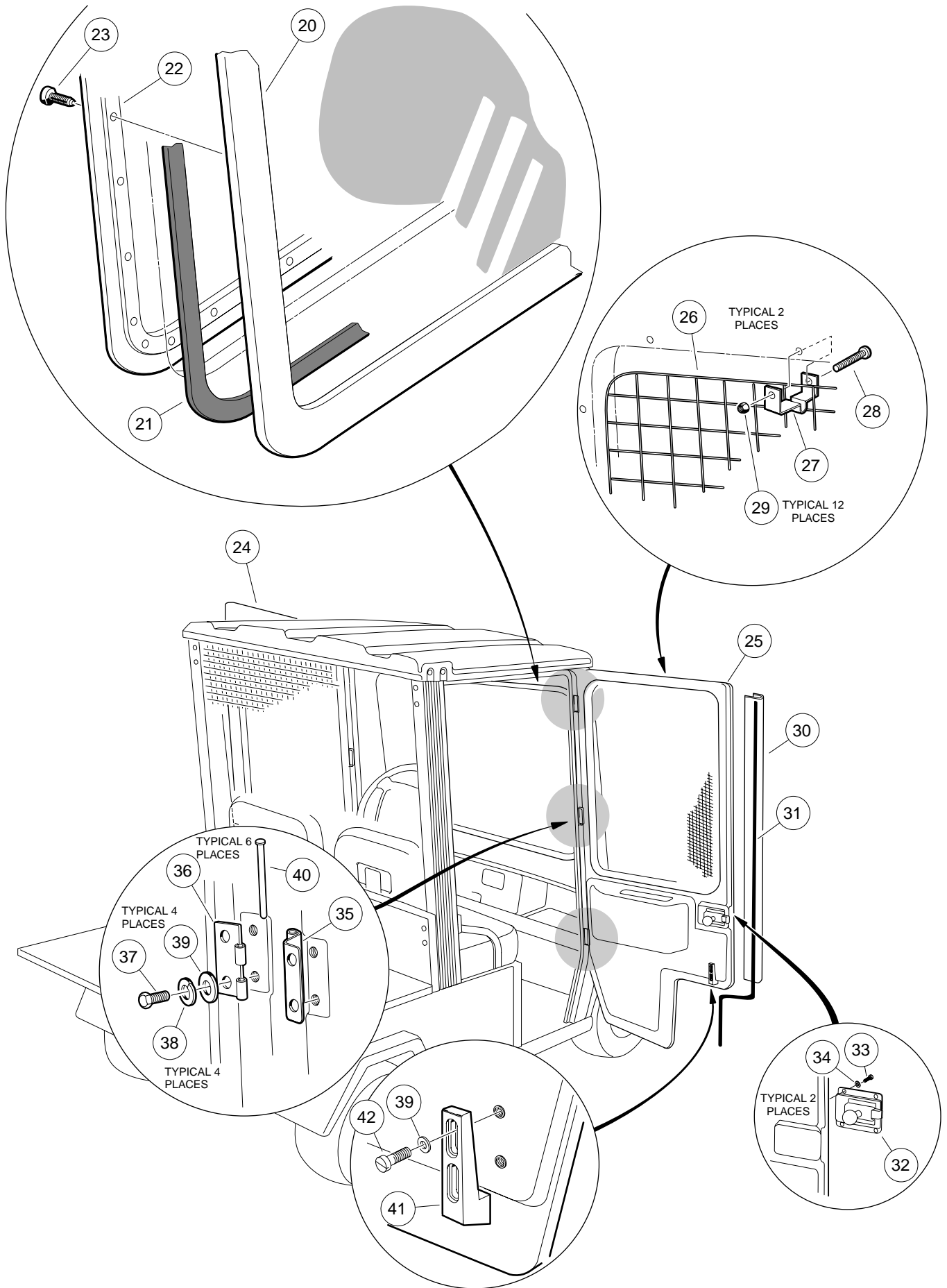
2
G
E



DRIVING RANGE PROTECTIVE ENCLOSURE KIT CARRYALL I, CARRYALL II, AND CARRYALL II PLUS

ITEM	PART NO.	DESCRIPTION	QTY GAS	QTY ELEC
		1 2 3 4		
	1017822-01	KIT, DRIVING RANGE ENCLOSURE - GRAY (INCLUDES ITEMS 1 - 42)	1	1
	1017822-02	KIT, DRIVING RANGE ENCLOSURE - WHITE (INCLUDES ITEMS 1 - 42)	1	1
1	1017716-03	ASSEMBLY, FRONT PANEL - GRAY	1	1
1	1017716-04	ASSEMBLY, FRONT PANEL - WHITE	1	1
2	0001703	SCREW, HEX HEAD, 1/4 - 20 x 1 1/2	8	8
3	1011931	WASHER, FLAT, 1/4, TYPE A	11	11
4	0008233	NUT, NYLON LOCK, 1/4 - 20	12	12
5	1017715-01	CANOPY ASSEMBLY - GRAY	1	1
5	1017715-02	CANOPY ASSEMBLY - WHITE	1	1
6	0000304	SCREW, HEX HEAD, 1/4 - 20 x 1	11	11
7	1018498-01	POST, CORNER, DRIVER'S SIDE	1	1
8	1018497-01	POST, CORNER, PASSENGER'S SIDE	1	1
9	1018499-01	BRACKET, CANOPY SUPPORT, DRIVER'S SIDE	1	1
10	1018499-02	BRACKET, CANOPY SUPPORT, PASSENGER'S SIDE	1	1
11	0000332	WASHER, FLAT, 1/4	14	14
12	0000403	SCREW, HEX HEAD, 1/4 - 20 x 5/8	2	2
13	1018356-01	NUT, FLANGED LOCK, 1/4 - 20	18	18
14	1015128	GRILL, REAR	1	1
15	1019114-01	SUPPORT BRACE KIT (INCLUDES ITEM 16)	1	1
16	1015521	SCREW, HEX HEAD, 1/4 - 20 x 7/8	2	2
17	1018513-01	BRACKET, DOOR LATCH, DRIVER'S SIDE	1	1
18	1018513-02	BRACKET, DOOR LATCH, PASSENGER'S SIDE	1	1
19	1018101-01	SHIM, DOOR LATCH BRACKET	A/R	A/R
20	1019586-02	BOLT, CARRIAGE, 1/4 - 20 x 1	10	10
21	0000451	WASHER, LOCK, 1/4	3	3

2
G
E



WINDSHIELD AND DOOR COMPONENTS FOR DRIVING RANGE PROTECTIVE ENCLOSURE

ITEM	PART NO.	DESCRIPTION	QTY GAS	QTY ELEC
		1 2 3 4		
20	1017823	WINDSHIELD, POLYCARBONATE	1	1
21	1019411-01	GASKET, WINDSHIELD	A/R	A/R
22	1017718	CLAMP, TRIM RING	1	1
23	1019404-01	SCREW, PAN HEAD, #18 - 18 x 3/4, TYPE AB	17	17
24	1017738-01	DOOR, DRIVER'S SIDE WITH GRILL - GRAY (INCLUDES ITEMS 26 - 35)	1	1
24	1017738-03	DOOR, DRIVER'S SIDE WITH GRILL - WHITE (INCLUDES ITEMS 26 - 35)	1	1
25	1017738-02	DOOR, PASSENGER'S SIDE WITH GRILL - GRAY (INCLUDES ITEMS 26 - 35)	1	1
25	1017738-04	DOOR, PASSENGER'S SIDE WITH GRILL - WHITE (INCLUDES ITEMS 26 - 35)	1	1
26	1017734	GRILL, PROTECTIVE ENCLOSURE	1	1
27	1017735	CLIP, GRILL RETAINING	12	12
28	1017741	SCREW, PAN HEAD, #10 - 32 x 1 3/8	12	12
29	1013061	NUT, NYLON LOCK, #10 - 32	12	12
30	1018019-02	STIFFENER, DOOR, DRIVER'S SIDE	1	1
30	1018019-01	STIFFENER, DOOR, PASSENGER'S SIDE	1	1
31	1017719	SEAL, DOOR	A/R	A/R
32	1017523	LATCH, PADDLE LOCK	1	1
33	0008450	SCREW, PAN HEAD, #10 - 24 x 1/2	4	4
34	0000183	WASHER, FLAT, #10	4	4
35	1018048-02	HINGE, DOOR LEAF	3	3
36	1018048-03	HINGE, CAB LEAF	6	6
37	0008450	SCREW, HEX HEAD, #10 - 24 x 1/2	24	24
38	0001016	WASHER, LOCK, #10	24	24
39	0000183	WASHER, FLAT, #10	28	28
40	1018048-04	PIN, HINGE	6	6
41	1018514-01	SUPPORT, CAB DOOR	2	2
42	0001631	SCREW, SLOTTED PAN HEAD, #10 - 24 x 3/4	4	4

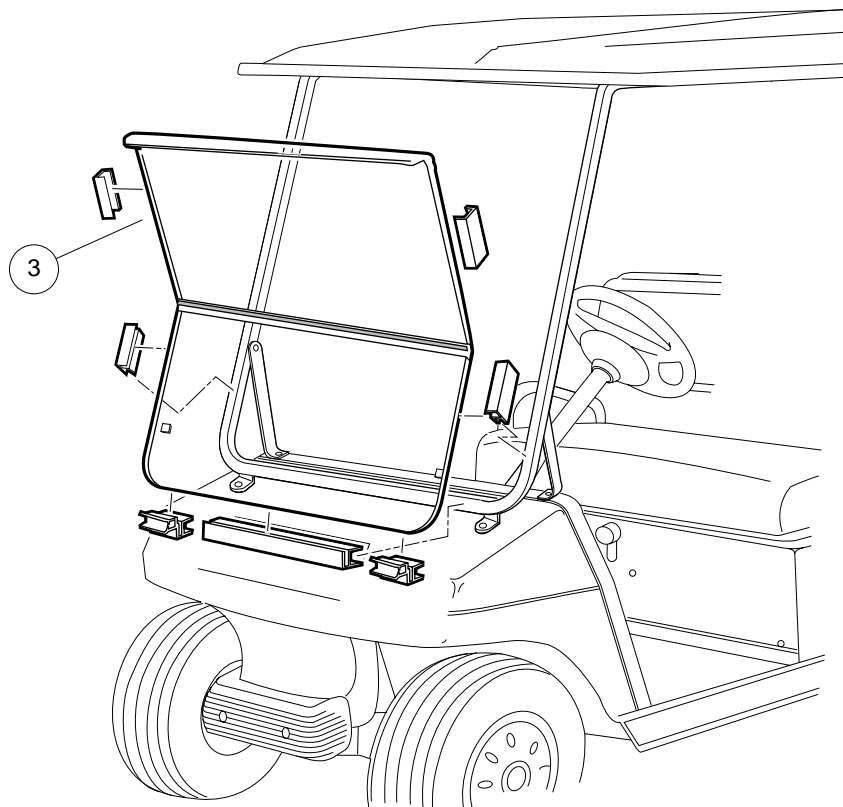
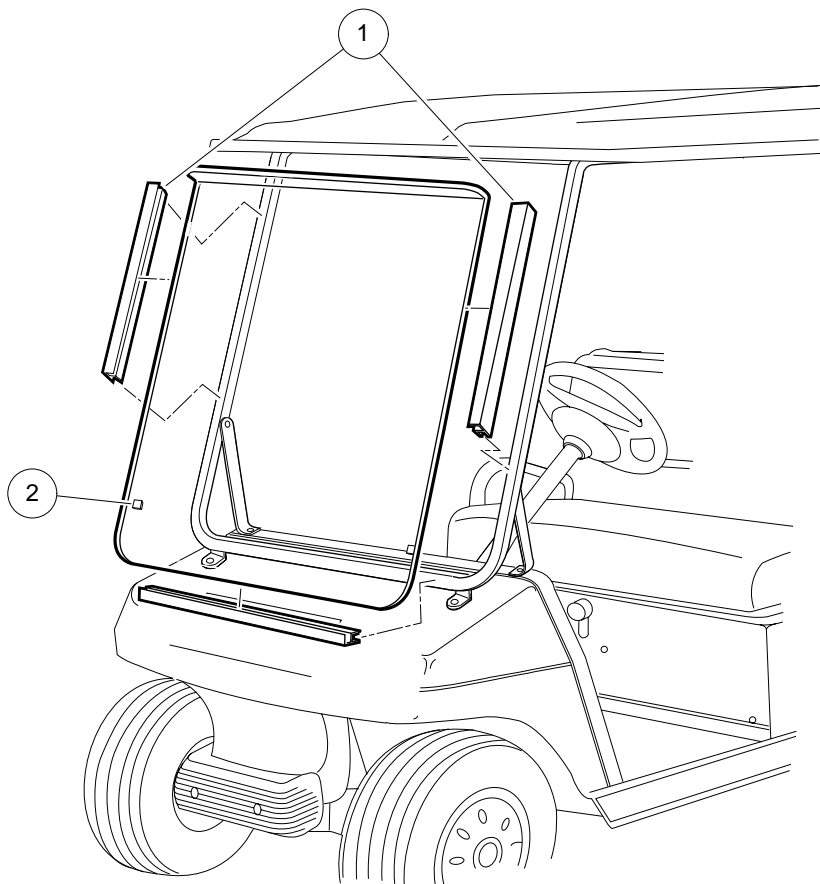
2
G
E

PASSENGER ENCLOSURE AND CANOPY ACCESSORY KITS

3

G

E



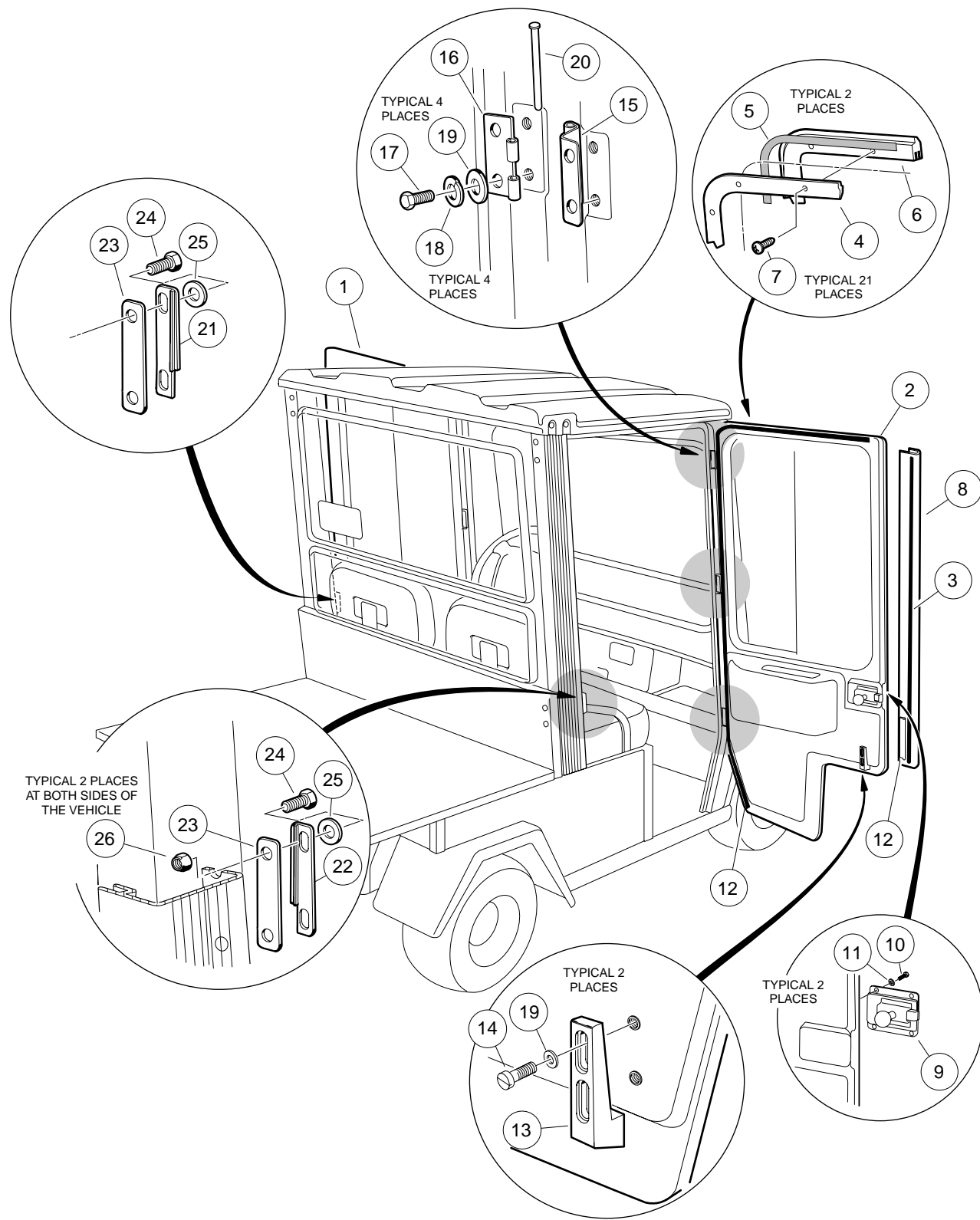
WINDSHIELD KIT, CANOPY TOP

ITEM	PART NO.	DESCRIPTION	QTY GAS	QTY ELEC
		1 2 3 4 TO INSTALL THIS KIT, VEHICLE MUST BE EQUIPPED WITH A CANOPY KIT.		
	1017333	KIT, WINDSHIELD (INCLUDES ITEMS 1 - 4)	1	1
1	1014441	CHANNEL, WINDSHIELD (SIDES)	3	3
2	1011897	BUMPER, PROTECTIVE	2	2
3	1017286	WINDSHIELD, SPLIT	1	1

3

G

E



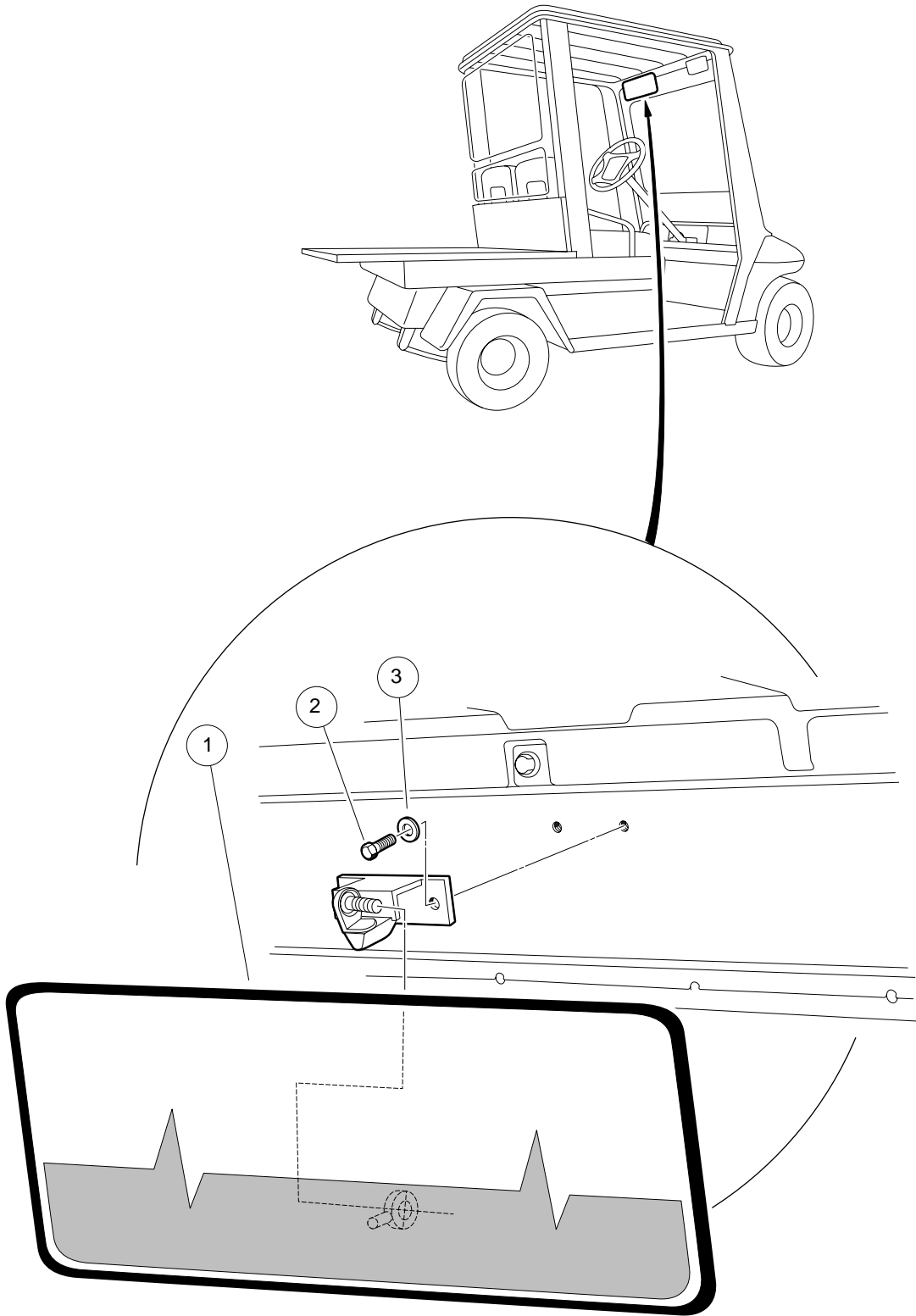
CAB DOOR KIT

ITEM	PART NO.	DESCRIPTION	QTY GAS	QTY ELEC
		1 2 3 4 TO INSTALL THIS KIT, VEHICLE MUST BE EQUIPPED WITH A CUSTOM CAB KIT.		
	1017827-01	KIT, CAB DOOR - GRAY (INCLUDES ITEMS 1 - 26)	1	1
	1017827-02	KIT, CAB DOOR - WHITE (INCLUDES ITEMS 1 - 26)	1	1
1	1017709-01	DOOR, DRIVER'S SIDE - GRAY (INCLUDES ITEMS 3 - 15)	1	1
1	1017709-03	DOOR, DRIVER'S SIDE - WHITE (INCLUDES ITEMS 3 - 15)	1	1
2	1017709-02	DOOR, PASSENGER'S SIDE - GRAY (INCLUDES ITEMS 3 - 15)	1	1
2	1017709-04	DOOR, PASSENGER'S SIDE - WHITE (INCLUDES ITEMS 3 - 15)	1	1
3	1017719	SEAL, DOOR	A/R	A/R
4	1017711-01	CLAMP, TRIM RING, DRIVER'S SIDE	1	1
4	1017711-02	CLAMP, TRIM RING, PASSENGER'S SIDE	1	1
5	1019411-01	GASKET	A/R	A/R
6	1017710-01	WINDOW, SLIDING, DRIVER'S SIDE	1	1
6	1017710-02	WINDOW, SLIDING, PASSENGER'S SIDE	1	1
7	1017705	SCREW, PAN HEAD, #8 - 32 x 5/8	21	21
8	1018019-02	STIFFENER, DOOR, DRIVER'S SIDE	1	1
8	1018019-01	STIFFENER, DOOR, PASSENGER'S SIDE	1	1
9	1017523	LATCH, PADDLE LOCK	1	1
10	0008450	SCREW, PAN HEAD, #10 - 24 x 1/2	4	4
11	0000183	WASHER, FLAT, #10	4	4
12	1018029	SEAL, DOOR EXTRUSION	A/R	A/R
13	1018514-01	SUPPORT, CAB DOOR	2	2
14	0001631	SCREW, SLOTTED PAN HEAD, #10 - 24 x 3/4	4	4
15	1018048-02	HINGE, DOOR LEAF	3	3
16	1018048-03	HINGE, CAB MOUNTING	6	6
17	0008450	SCREW, HEX HEAD, #10 - 24 x 1/2	12	12
18	0001016	WASHER, LOCK, #10	12	12
19	0000183	WASHER, FLAT, #10	16	16
20	1018048-04	PIN, HINGE	6	6
21	1018513-01	BRACKET, DOOR LATCH, DRIVER'S SIDE	1	1
22	1018513-02	BRACKET, DOOR LATCH, PASSENGER'S SIDE	1	1
23	1018101-01	SHIM, DOOR LATCH BRACKET	A/R	A/R
24	0000304	SCREW, HEX HEAD, 1/4 - 20 x 1	4	4
25	0000332	WASHER, FLAT, 1/4	4	4
26	0008233	NUT, NYLON LOCK, 1/4 - 20	4	4

3

G

E



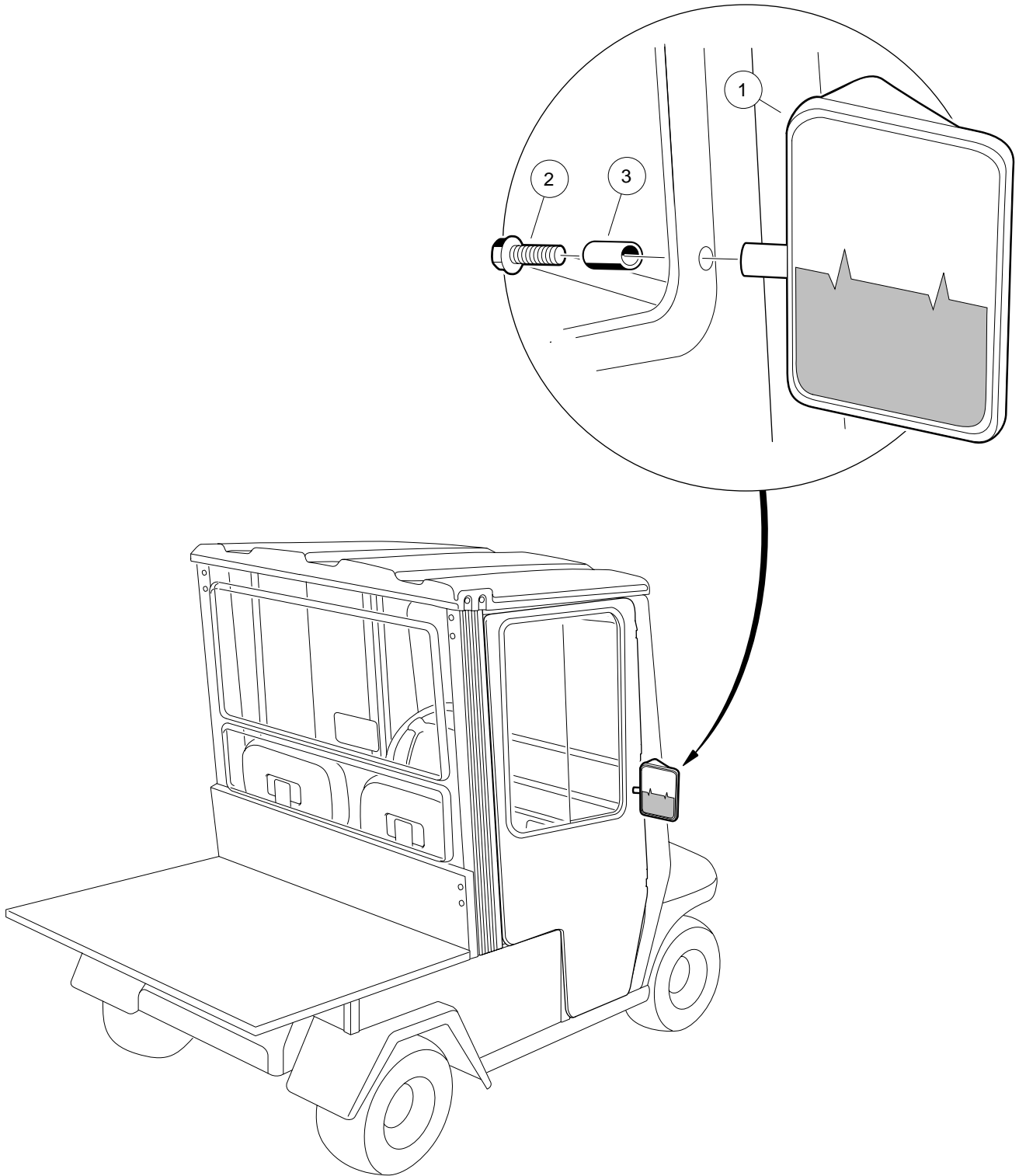
INTERIOR REAR VIEW MIRROR KIT

ITEM	PART NO.	DESCRIPTION	QTY GAS	QTY ELEC
		1 2 3 4 TO INSTALL THIS KIT, VEHICLE MUST BE EQUIPPED WITH A CUSTOM CAB KIT.		
1	1018223-01	KIT, MIRROR, INTERIOR REAR VIEW (INCLUDES ITEMS 2 AND 3)	1	1
2	0008450	SCREW, HEX HEAD, #10 - 24 x 1/2	2	2
3	0000183	WASHER, FLAT, #10	2	2

3

G

E



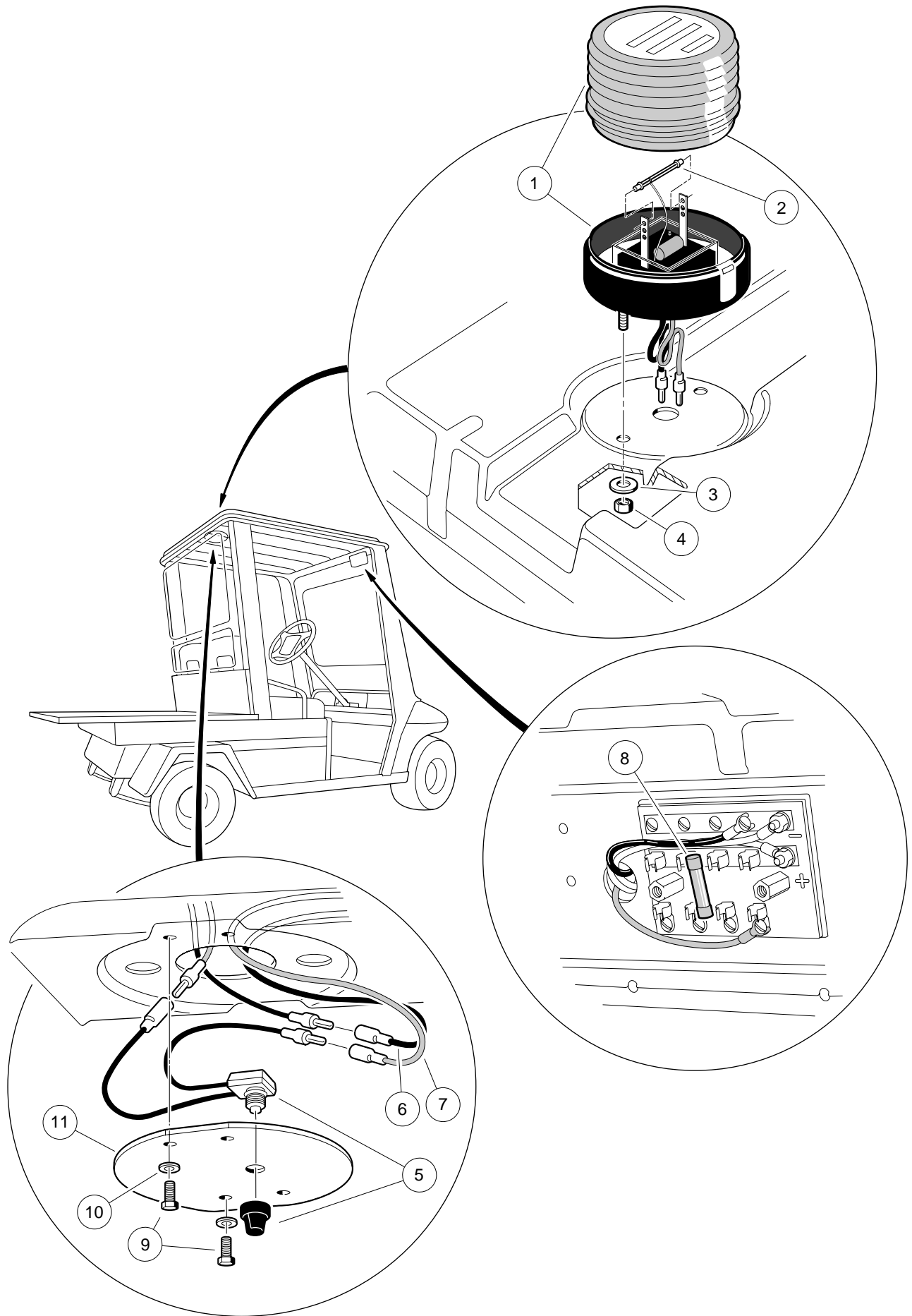
EXTERIOR REAR VIEW MIRROR KIT

ITEM	PART NO.	DESCRIPTION	QTY GAS	QTY ELEC
		1 2 3 4 TO INSTALL THIS KIT, VEHICLE MUST BE EQUIPPED WITH A CUSTOM CAB KIT.		
1	1018300-01	KIT, MIRROR, EXTERIOR REAR VIEW (INCLUDES ITEMS 2 AND 3)	1	1
2	1017514	BOLT, FLANGED HEX HEAD, 8MM x 1-1/4 x 45MM	1	1
3	1017033	SPACER	1	1

3

G

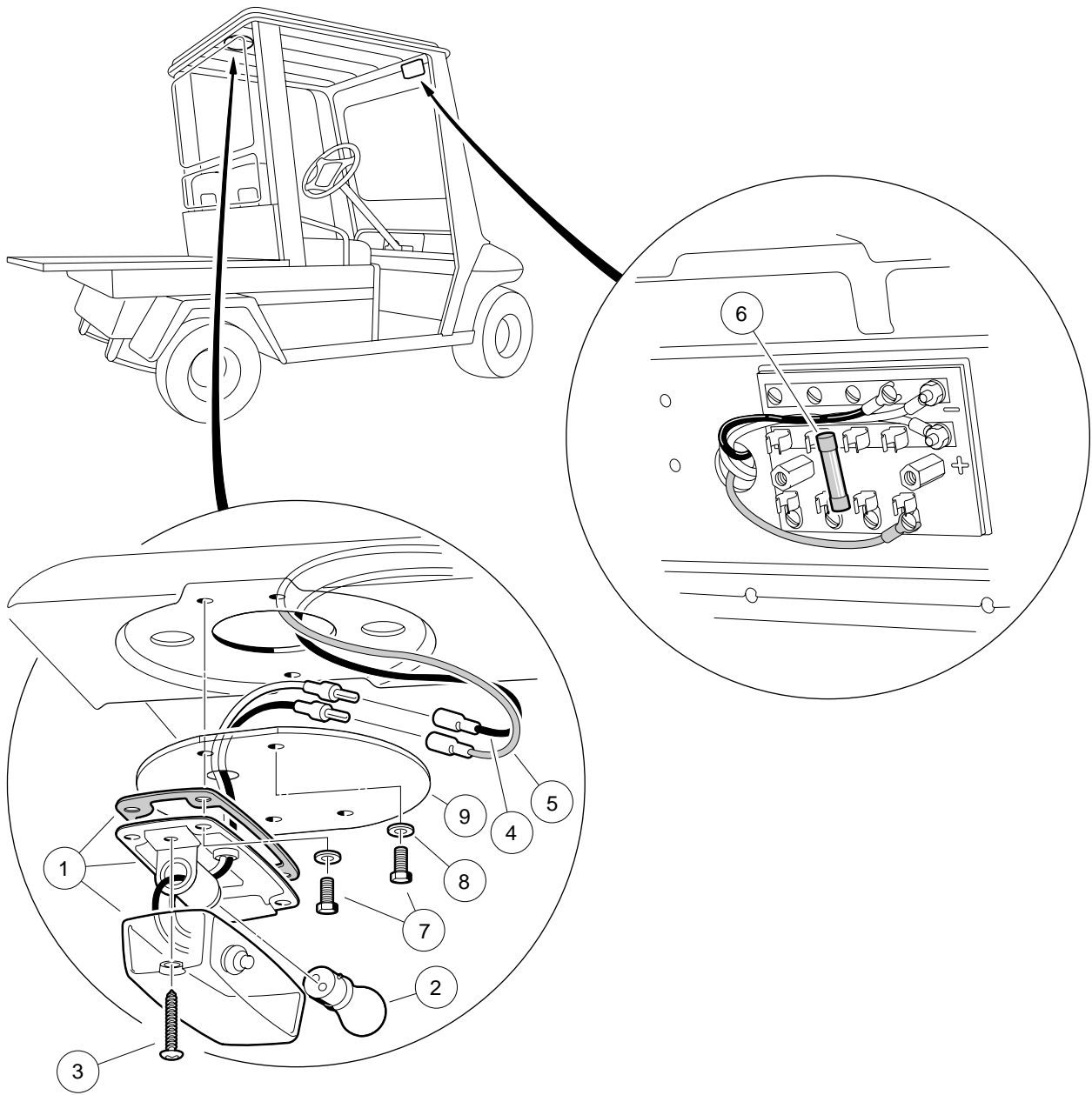
E



ROOF-MOUNTED SAFETY STROBE LIGHT KIT

ITEM	PART NO.	DESCRIPTION	QTY GAS	QTY ELEC
		1 2 3 4 TO INSTALL THIS KIT, VEHICLE MUST BE EQUIPPED WITH A CUSTOM CAB KIT.		
	1017934	KIT, SAFETY STROBE LIGHT (INCLUDES ITEMS 1 - 8)	1	1
1	1015156	STROBE LIGHT (INCLUDES ITEMS 2 - 4)	1	1
2	1015526	BULB, STROBE LIGHT	1	1
3	N/A	WASHER, LOCK, #10	2	2
4	N/A	NUT, HEX, #10 - 32	2	2
5	1015187	SWITCH ASSEMBLY	1	1
6	N/A	WIRE ASSEMBLY, #18 BLACK	1	1
7	N/A	WIRE ASSEMBLY, #18 RED	1	1
8	1011777	FUSE, THREE AMP	1	1
9	0008450	SCREW, HEX HEAD, #10 - 24 x 1/2	4	4
10	0000183	WASHER, FLAT, 3/16	4	4
11	1017690-01	COVER, WIRE ACCESS	1	1

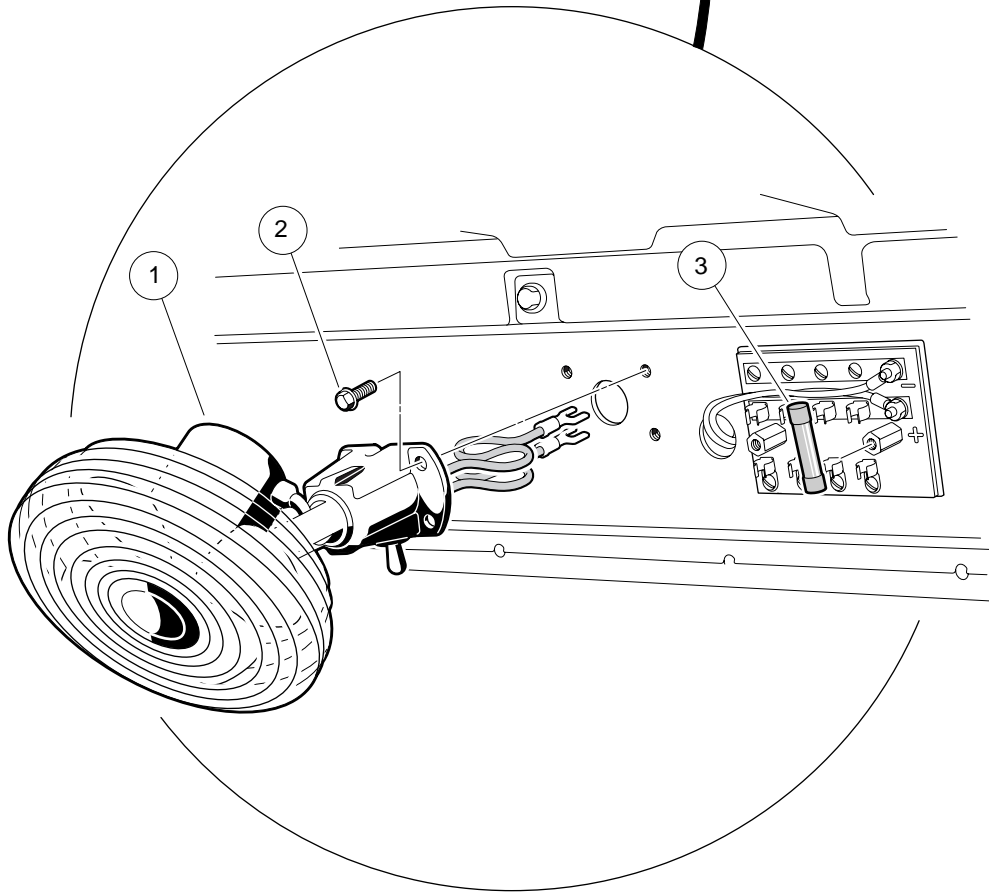
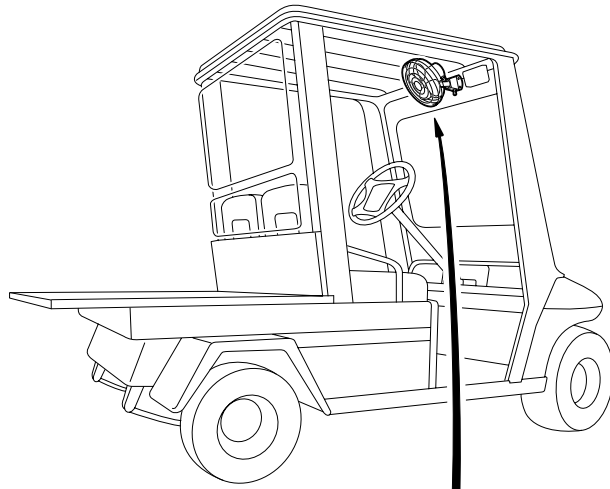
3
G
E



DOME LIGHT KIT

3
G
E

ITEM	PART NO.	DESCRIPTION	QTY GAS	QTY ELEC
		1 2 3 4 TO INSTALL THIS KIT, VEHICLE MUST BE EQUIPPED WITH A CUSTOM CAB KIT.		
	1017933	KIT, DOME LIGHT (INCLUDES ITEMS 1 - 6)	1	1
1	1015031	DOME LIGHT ASSEMBLY	1	1
2	N/A	BULB	1	1
3	N/A	SCREW, LENS	2	2
4	N/A	WIRE ASSEMBLY, #18 BLACK	1	1
5	N/A	WIRE ASSEMBLY, #18 RED	1	1
6	1011777	FUSE, THREE AMP	1	1
7	0008450	SCREW, HEX HEAD, #10 - 24 x 1/2	4	4
8	0000183	WASHER, FLAT, 3/16	4	4
9	1017690-01	COVER, WIRE ACCESS	1	1



FAN/DEFOGGER KIT

ITEM	PART NO.	DESCRIPTION	QTY GAS	QTY ELEC
		1 2 3 4 TO INSTALL THIS KIT, VEHICLE MUST BE EQUIPPED WITH A CUSTOM CAB KIT.		
1	1017932	KIT, FAN/DEFOGGER (INCLUDES ITEMS 2 AND 3)	1	1
2	0008450	SCREW, HEX HEAD, #10 - 32 x 5/8	4	4
3	1015011	FUSE, TEN AMP	1	1

3

G

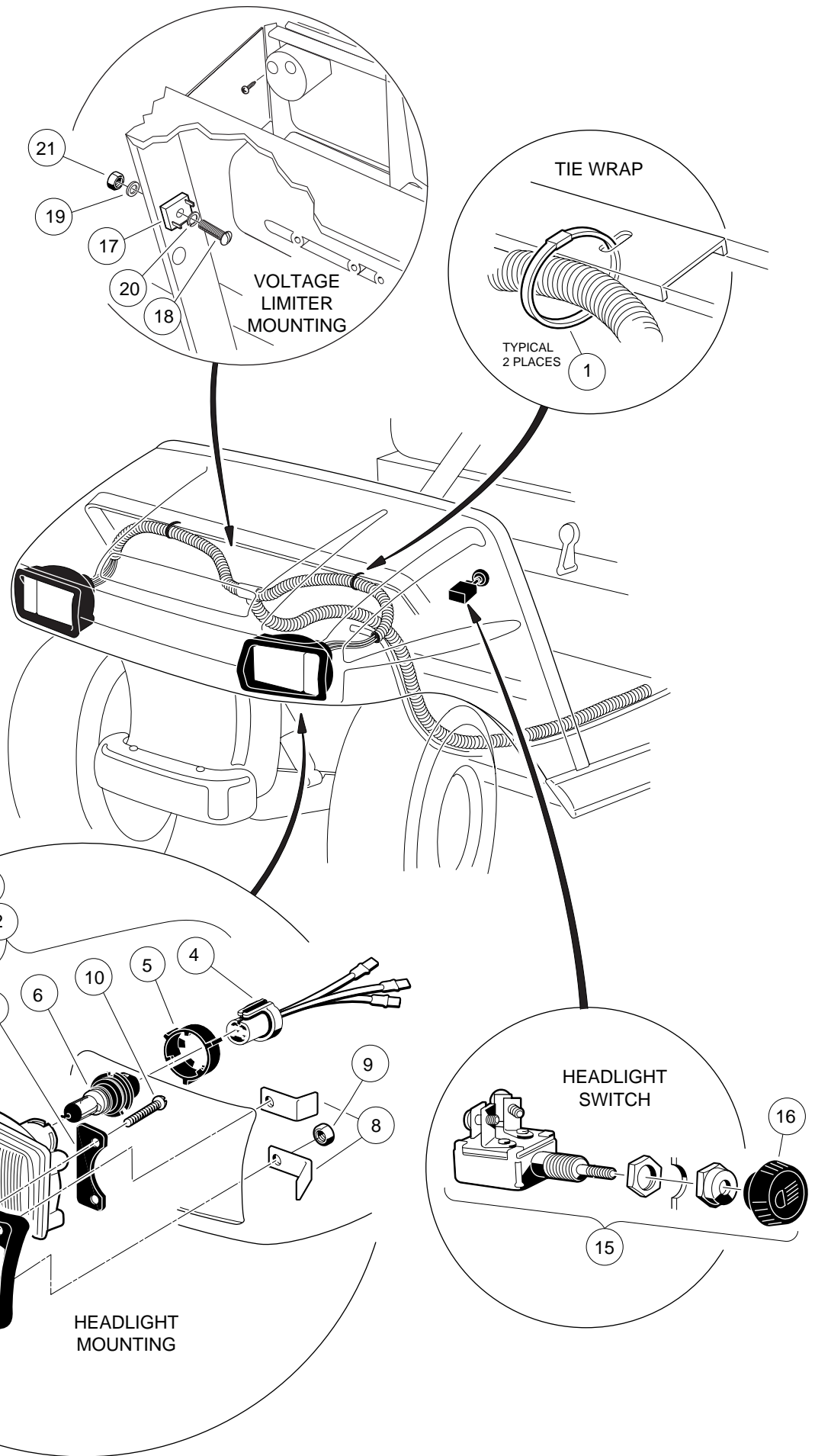
E

LIGHTING KITS

4

G

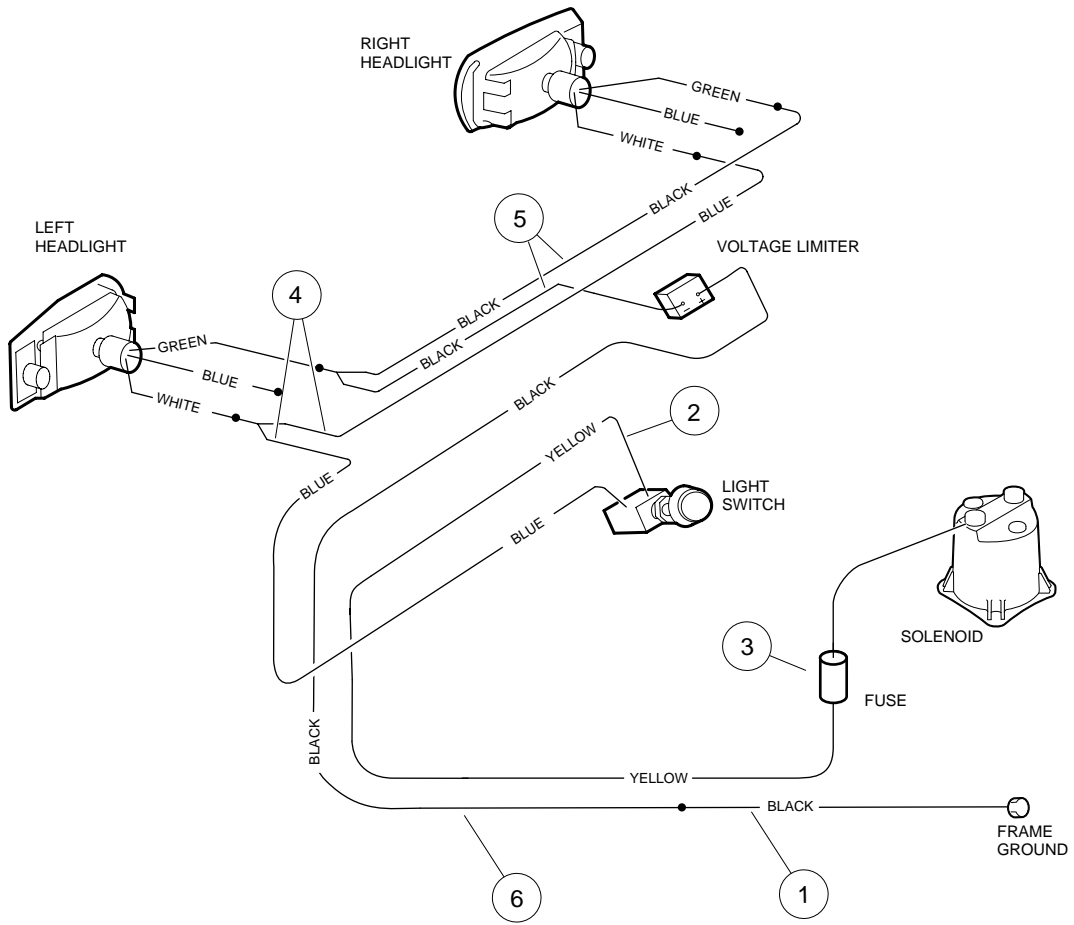
E



HEADLIGHTS ONLY GASOLINE CARRYALL I, II, AND II PLUS

ITEM	PART NO.	DESCRIPTION	QTY GAS	QTY ELEC
		1 2 3 4		
	1017126-03	KIT, HEADLIGHT (INCLUDES ITEMS 1 - 21 AND WIRE HARNESS 1016858 ON PAGE 4-5)	1	
1	0008990	WRAP, TIE	4	
2	1016897-01	ASSEMBLY, HEADLIGHT, LEFT HAND (INCLUDES ITEMS 4 - 13)	1	
3	1016897-02	ASSEMBLY, HEADLIGHT, RIGHT HAND (INCLUDES ITEMS 4 - 12 AND 14)	1	
4	1017066	HARNESS, HEADLIGHT WIRE	1	
5	1017059	LOCK, BULB COLLAR	1	
6	1017060	BULB, HALOGEN	1	
7	1017061	LENS, HEADLIGHT	1	
8	1017064	BRACKET, MOUNTING	2	
9	0007893	NUT, HEX, #10 - 32	2	
10	1013461	SCREW, HI-LO, #10 - 16	2	
11	1017065	RETAINER, HEADLIGHT	1	
12	1017062	ASSEMBLY, TURN SIGNAL LENS	1	
13	1016880	BEZEL, HEADLIGHT, LEFT HAND	1	
14	1016879	BEZEL, HEADLIGHT, RIGHT HAND	1	
15	0004034	SWITCH, LIGHT (INCLUDES ITEM 16)	1	
16	1013857	KNOB, LIGHT SWITCH	1	
17	1017721	VOLTAGE LIMITER	1	
18	1010909	SCREW, MACHINE HEAD, #10 - 32 x 1 1/4	1	
19	0000183	WASHER, FLAT, #10	1	
20	0001016	WASHER, LOCK, #10	1	
21	0007893	NUT, HEX, #10 - 32	1	

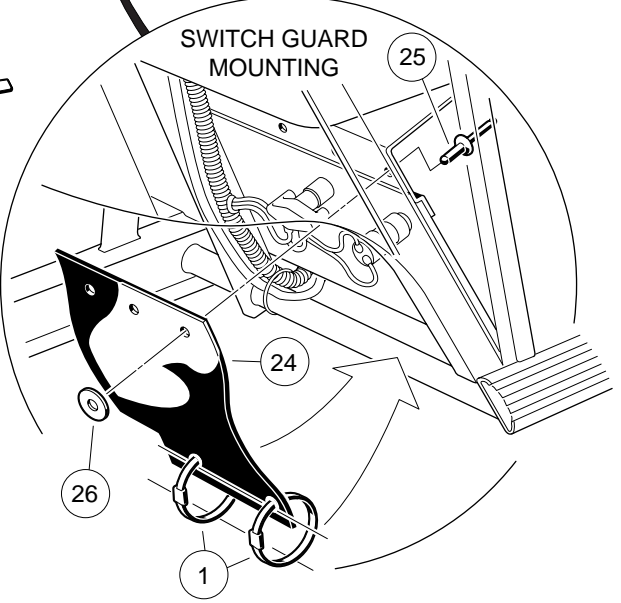
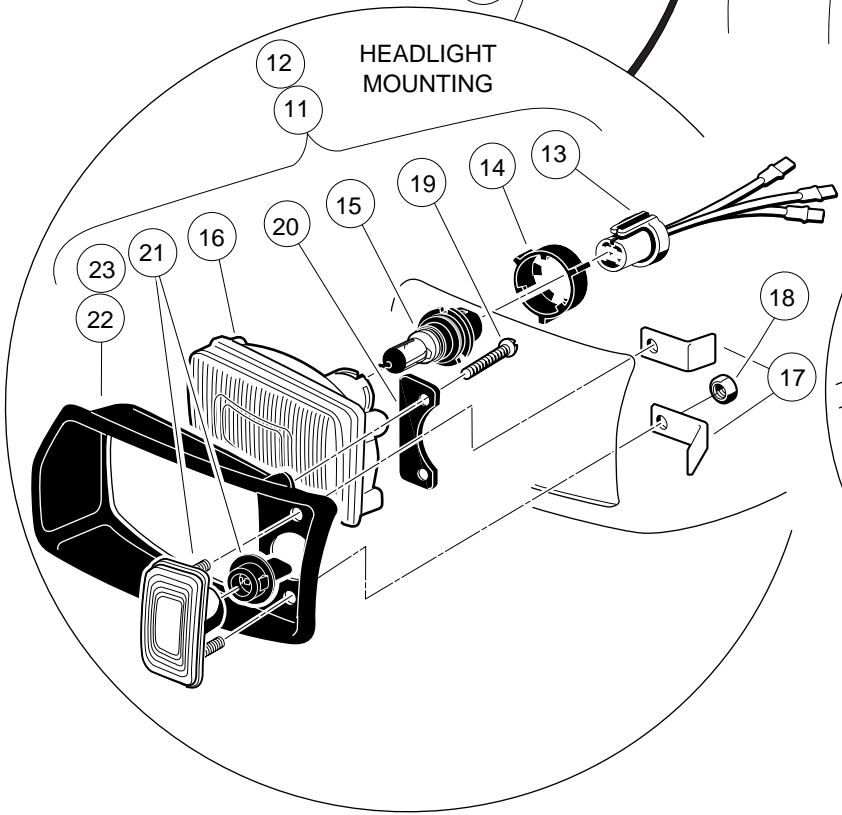
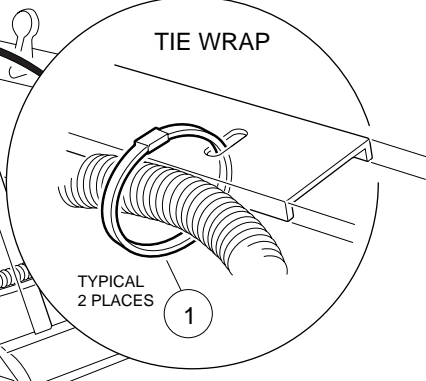
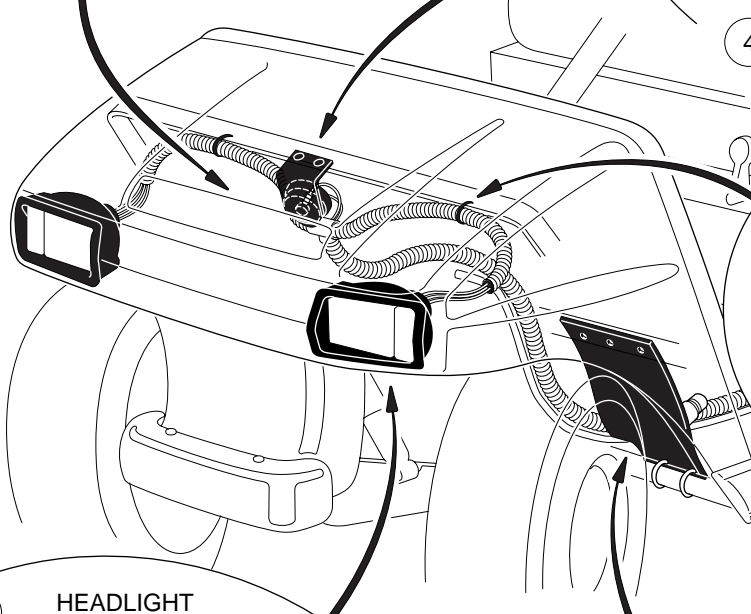
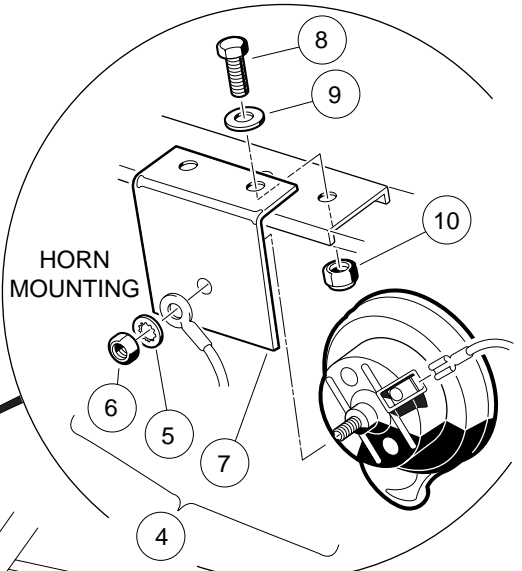
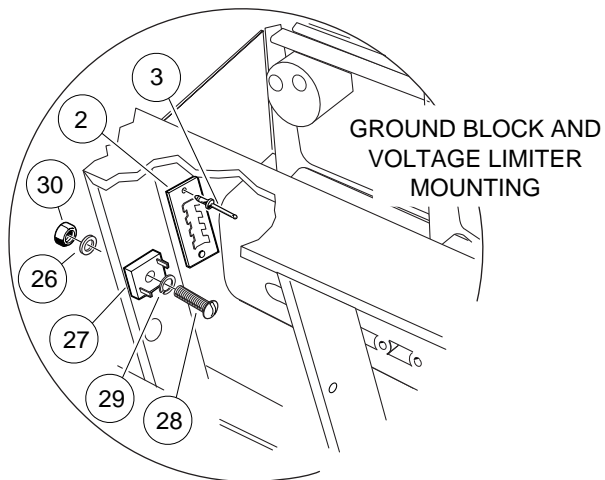
4
G
E



WIRING FOR HEADLIGHTS ONLY GASOLINE CARRYALL I, II, AND II PLUS

ITEM	PART NO.	DESCRIPTION	QTY GAS	QTY ELEC
		1 2 3 4		
	1016858	WIRE HARNESS (INCLUDES ITEMS 1 - 6)	1	
1	N/A	WIRE ASSEMBLY, #16 BLACK	1	
2	N/A	WIRE ASSEMBLY, #16 YELLOW (INCLUDES ITEM 3)	1	
3	0008106	FUSE, 20 AMP	1	
4	N/A	WIRE ASSEMBLY, #16 BLUE	1	
5	N/A	WIRE ASSEMBLY, #16 BLACK	1	
6	N/A	WIRE ASSEMBLY, #16 BLACK	1	

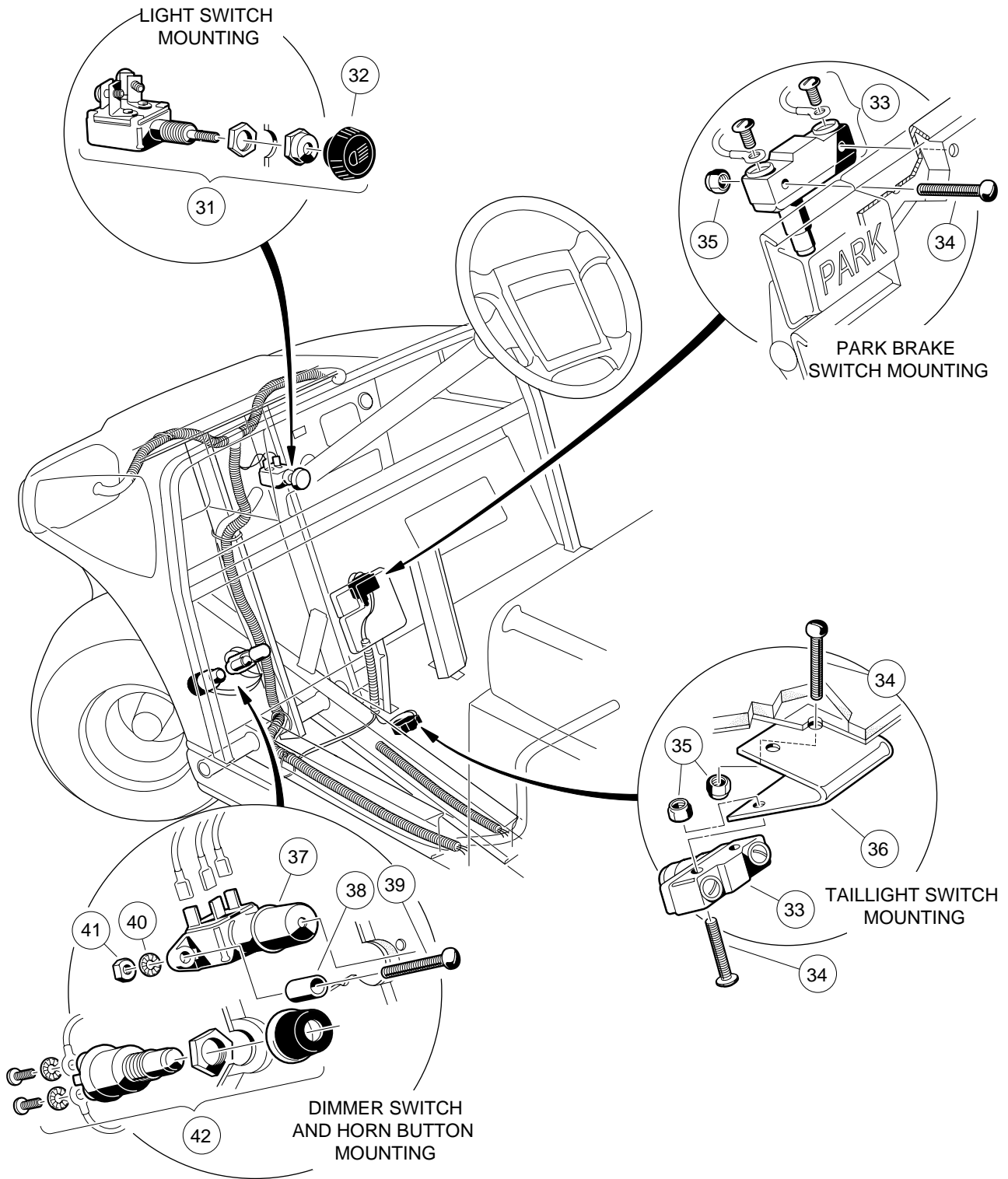
4
G
E



STANDARD LIGHTING PACKAGE, FRONT BODY GASOLINE CARRYALL I, II, AND II PLUS

ITEM	PART NO.	DESCRIPTION	QTY GAS	QTY ELEC
		1 2 3 4		
	1017056-08	STANDARD LIGHTING PACKAGE - GASOLINE CARRYALL I (INCLUDES ITEMS 1 - 51 AND ALL ITEMS ON PAGE 4-15)	1	
	1017056-03	STANDARD LIGHTING PACKAGE - GASOLINE CARRYALL II AND II PLUS (INCLUDES ITEMS 1 - 51 AND ALL ITEMS ON PAGE 4-17)	1	
1	0008990	WRAP, TIE	4	
2	1016356	BLOCK, TERMINAL	1	
3	1013357	RIVET, ALUMINUM POP, 5/32	2	
4	0004029	ASSEMBLY, HORN (INCLUDES ITEMS 5, 6 AND 7)	1	
5	0007820	WASHER, INTERNAL TOOTH, 5/16	1	
6	1012528	NUT, M8 x 32 MM	1	
7	1011825	BRACKET, HORN	1	
8	0000304	BOLT, HEX HEAD, 1/4 - 20 x 1	2	
9	0000332	WASHER, FLAT, 1/4	2	
10	0008233	NUT, NYLON LOCK, 1/4 - 20	2	
11	1016897-01	ASSEMBLY, HEADLIGHT, LEFT HAND (INCLUDES ITEMS 13 - 22)	1	
12	1016897-02	ASSEMBLY, HEADLIGHT, RIGHT HAND (INCLUDES ITEMS 13 - 21 AND 23) ...	1	
13	1017066	HARNES, HEADLIGHT WIRE	1	
14	1017059	LOCK, BULB COLLAR	1	
15	1017060	BULB, HALOGEN	1	
16	1017061	LENS, HEADLIGHT	1	
17	1017064	BRACKET, MOUNTING	2	
18	0007893	NUT, HEX, #10 - 32	2	
19	1013461	SCREW, HI-LO, #10 - 16	2	
20	1017065	RETAINER, HEADLIGHT	1	
21	1017062	ASSEMBLY, TURN SIGNAL LENS	1	
22	1016880	BEZEL, HEADLIGHT, LEFT HAND	1	
23	1016879	BEZEL, HEADLIGHT, RIGHT HAND	1	
24	1015787	FLAP, SWITCH PROTECTOR	1	
25	0001606	RIVET, POP, 3/16	3	
26	0000183	WASHER, FLAT, #10	4	
27	1017721	VOLTAGE LIMITER	1	
28	1010909	SCREW, MACHINE HEAD, #10 - 32 x 1 1/4	1	
29	0001016	WASHER, LOCK, #10	1	
30	0007893	NUT, HEX, #10 - 32	1	

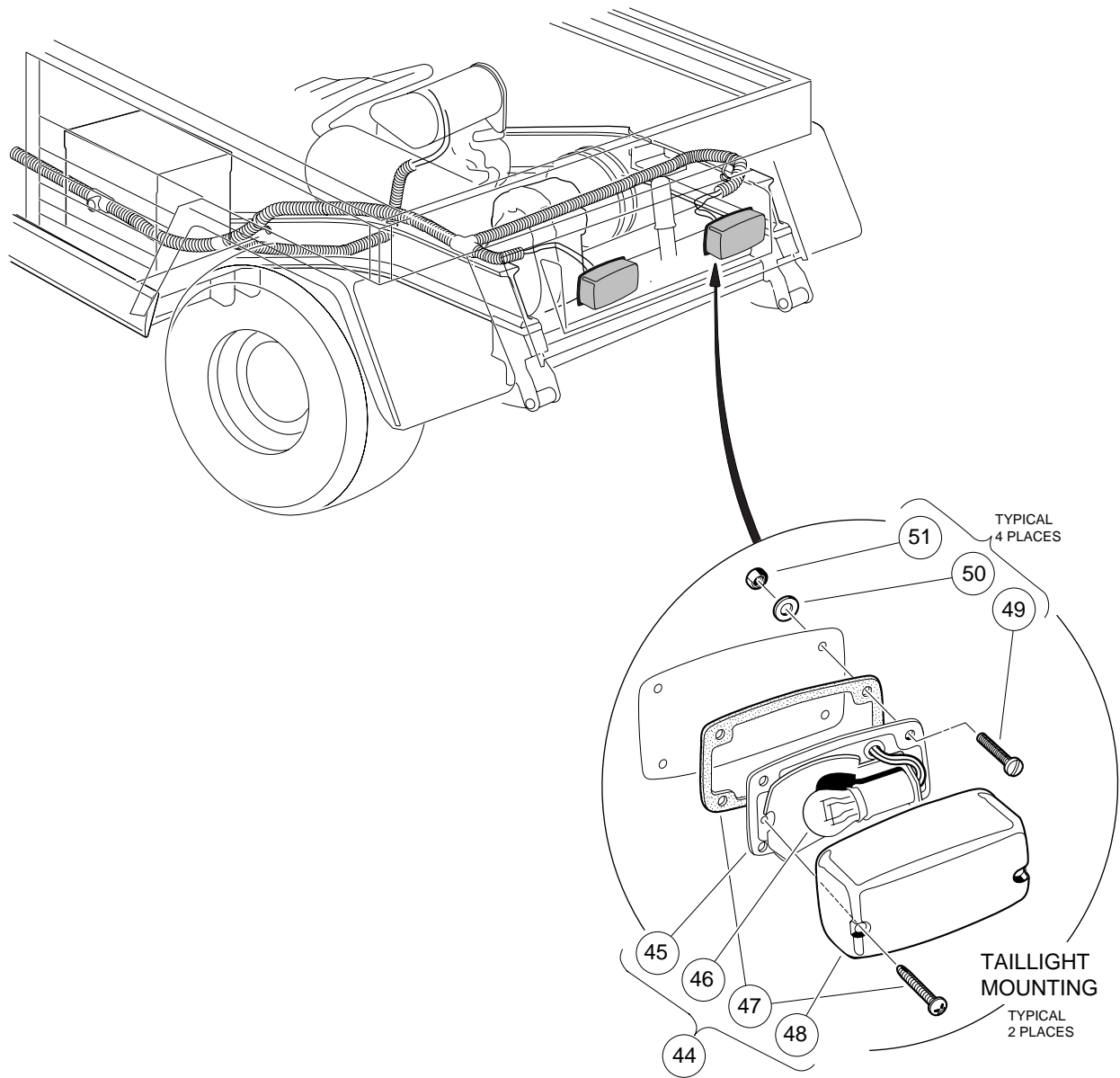
4
G
E



STANDARD LIGHTING PACKAGE, CONTROLS GASOLINE CARRYALL I, II, AND II PLUS

ITEM	PART NO.	DESCRIPTION	QTY GAS	QTY ELEC
		1 2 3 4		
31	0004034	SWITCH, LIGHT (INCLUDES ITEM 32)	1	
32	1013857	KNOB, LIGHT SWITCH	1	
33	1011439	SWITCH, LIMIT	2	
34	1011557	SCREW, SLOTTED MACHINE, #6 - 32 x 1	6	
35	1019322-01	NUT, NYLON LOCK, #6 - 32	6	
36	1011742	BRACKET, BRAKE LIGHT SWITCH	1	
37	1010889	SWITCH, DIMMER	1	
38	1018713-01	STAND-OFF, DIMMER SWITCH	2	
39	1018712-01	SCREW, SLOTTED MACHINE, #10 - 32 x 1	2	
40	0008049	WASHER, INTERNAL TOOTH LOCK, #10	2	
41	0007893	NUT, HEX, #10 - 32	2	
42	1013443	BUTTON, HORN	1	

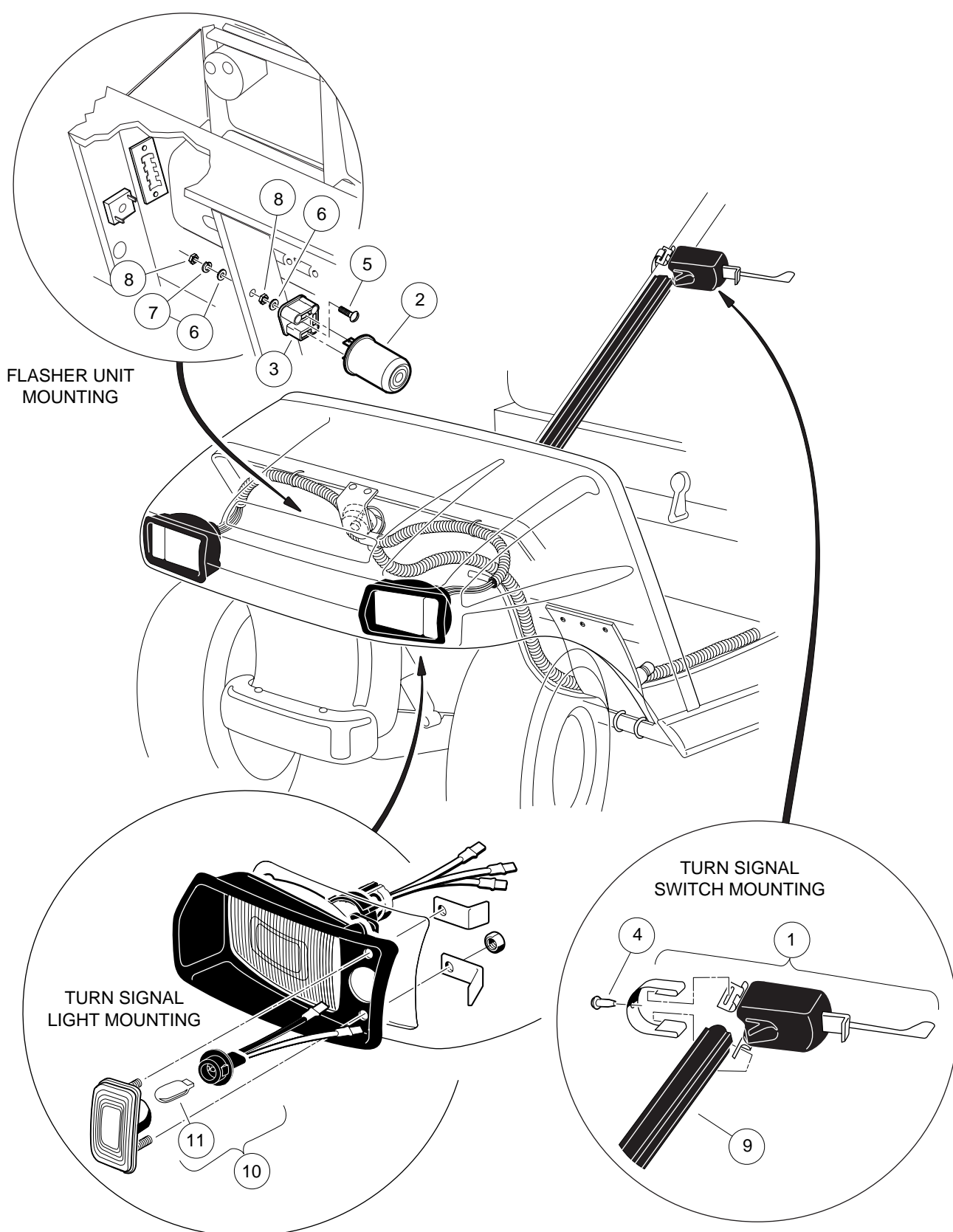
4
G
E



STANDARD LIGHTING PACKAGE, REAR BODY GASOLINE CARRYALL I, II, AND II PLUS

ITEM	PART NO.	DESCRIPTION	QTY GAS	QTY ELEC
		1 2 3 4		
44	1017035	ASSEMBLY, TAILLIGHT (INCLUDES ITEMS 45 - 48)	2	
45	N/A	BASE, TAILLIGHT	1	
46	1011582	BULB	1	
47	1017699	HARDWARE KIT	1	
48	1011843	LENS	1	
49	1011557	SCREW, MACHINE, #6 - 32 x 1	4	
50	0007591	WASHER, FLAT, #6	4	
51	1011558	NUT, HEX, #6	4	

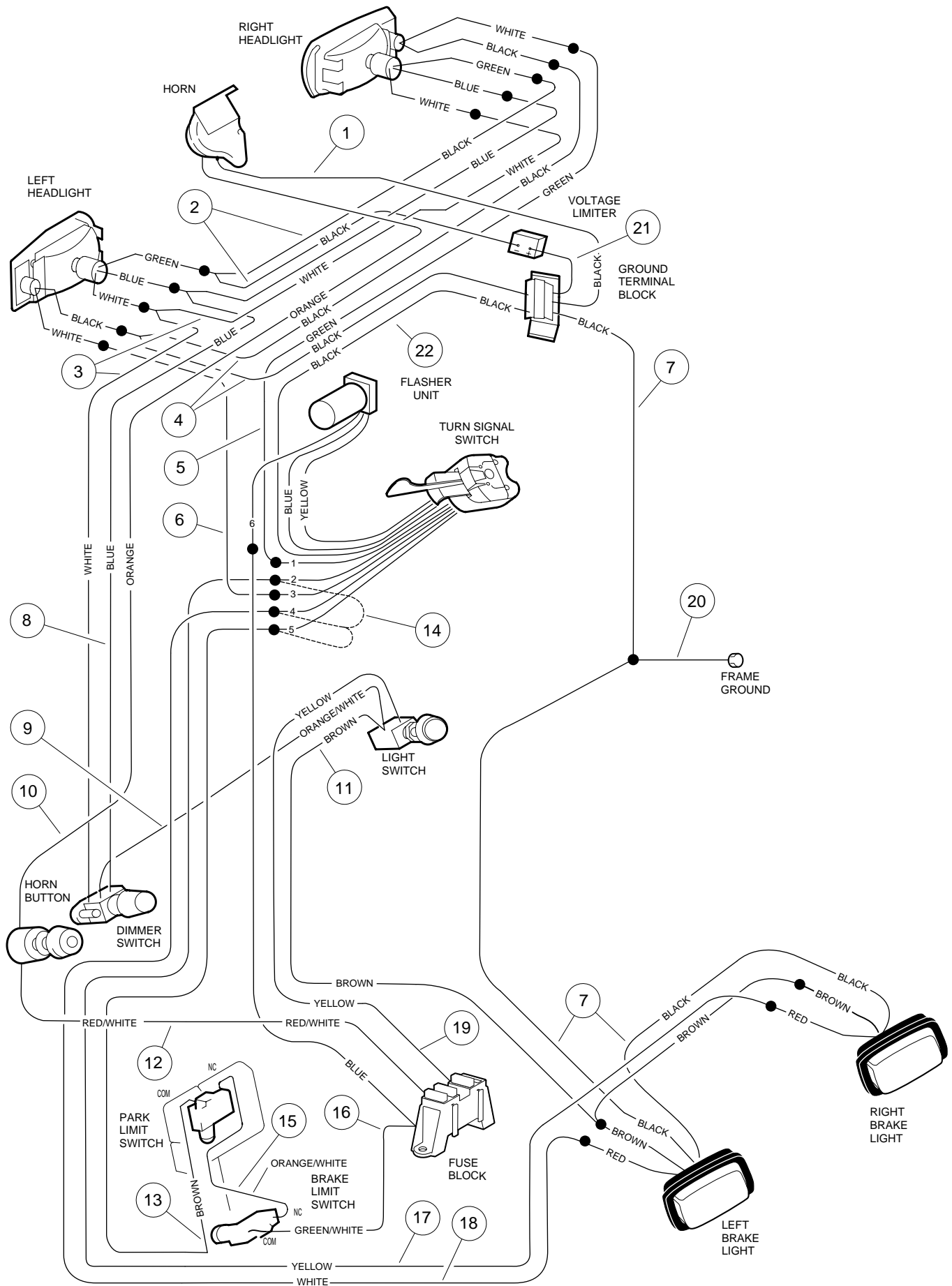
4
G
E



DELUXE LIGHTING PACKAGE GASOLINE CARRYALL I, II, AND II PLUS

ITEM	PART NO.	DESCRIPTION	QTY GAS	QTY ELEC
		1 2 3 4		
	1017056-09	DELUXE LIGHTING PACKAGE - GASOLINE CARRYALL I (INCLUDES ALL ITEMS ON PAGES 4-7 THROUGH 4-11, ALL ITEMS BELOW, AND ALL ITEMS ON PAGE 4-15).....	1	
	1017056-04	DELUXE LIGHTING PACKAGE - GASOLINE CARRYALL II AND II PLUS (INCLUDES ALL ITEMS ON PAGES 4-7 THROUGH 4-11, ALL ITEMS BELOW, AND ALL ITEMS ON PAGE 4-17)	1	
1	1011590	ASSEMBLY, TURN SIGNAL (INCLUDES ITEMS 2 AND 3)	1	
2	1017489	UNIT, FLASHER (THREE PRONG)	1	
3	N/A	BASE, MOUNT	1	
4	1017724	RIVET, PLASTIC	1	
5	0008104	SCREW, ROUND HEAD MACHINE, #10 - 32 x 3/4	1	
6	0000183	WASHER, FLAT, #10	2	
7	0001016	WASHER, LOCK, #10	1	
8	0007893	NUT, HEX, #10 - 32	2	
9	1011492	COVER, STEERING COLUMN WIRE	1	
10	1017075	ASSEMBLY, TURN SIGNAL HARNESS (INCLUDES ITEM 11)	2	
11	1011583	BULB, TURN SIGNAL (14 VOLTS, .27AMP)	1	

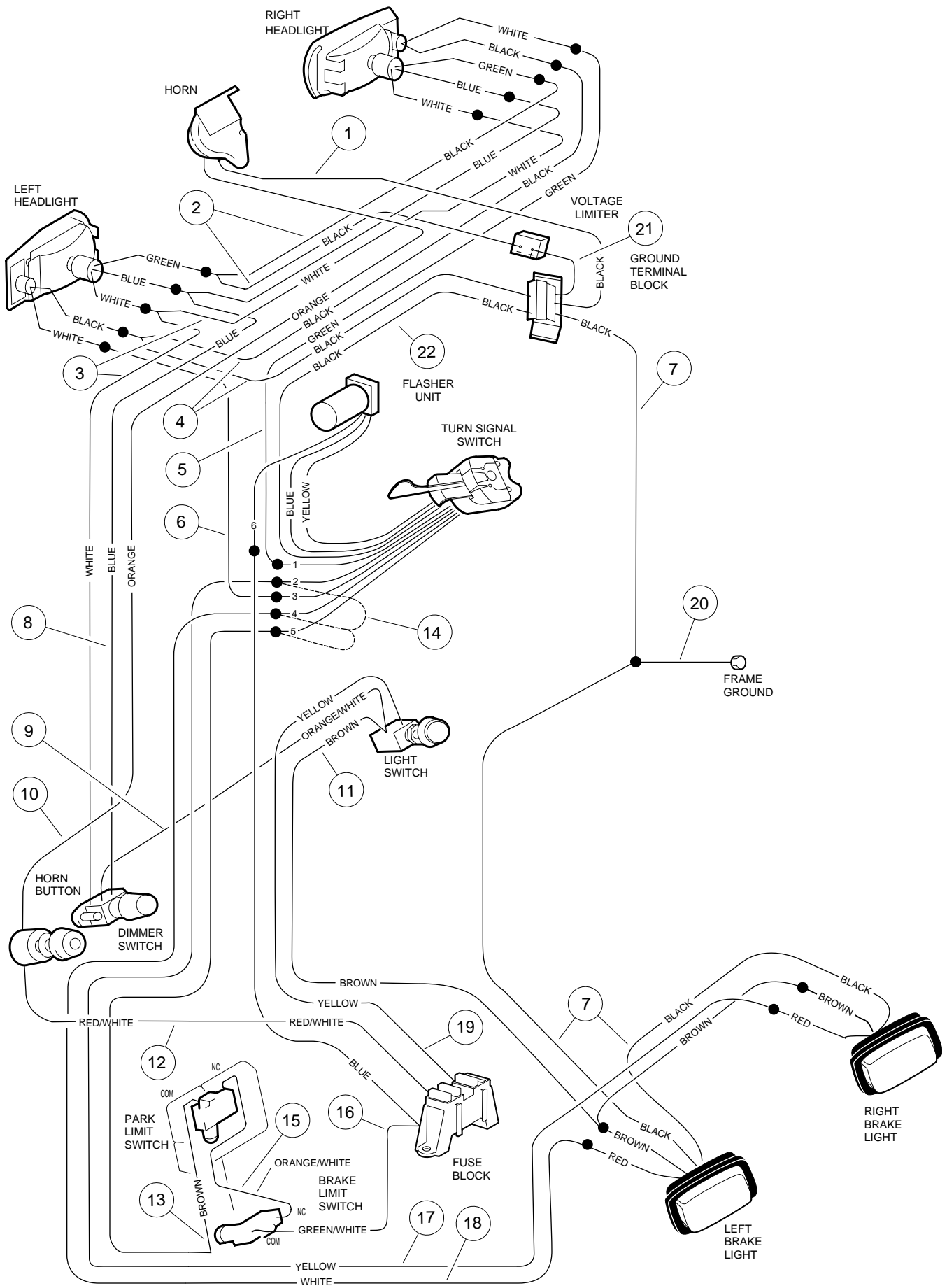
4
G
E



WIRING - STANDARD/DELUXE LIGHTING PACKAGES GASOLINE CARRYALL I

ITEM	PART NO.	DESCRIPTION	QTY GAS	QTY ELEC
		1 2 3 4		
	1017051	LIGHTING HARNESS, STANDARD AND DELUXE (INCLUDES ITEMS 1 - 19) ...	1	
1	N/A	WIRE ASSEMBLY, #16 BLACK	1	
2	N/A	WIRE ASSEMBLY, #16 BLACK	1	
3	N/A	WIRE ASSEMBLY, #16 WHITE	1	
4	N/A	WIRE ASSEMBLY, #16 BLACK (USED WITH DELUXE PACKAGE ONLY)	1	
5	N/A	WIRE ASSEMBLY, #16 GREEN (USED WITH DELUXE PACKAGE ONLY)	1	
6	N/A	WIRE ASSEMBLY, #16 RED (USED WITH DELUXE PACKAGE ONLY)	1	
7	N/A	WIRE ASSEMBLY, #14, #18 BLACK	1	
8	N/A	WIRE ASSEMBLY, #18 BLUE	1	
9	N/A	WIRE ASSEMBLY, #16 ORANGE/WHITE	1	
10	N/A	WIRE ASSEMBLY, #16 ORANGE	1	
11	N/A	WIRE ASSEMBLY, #16 BROWN	1	
12	N/A	WIRE ASSEMBLY, #16 RED/WHITE	1	
13	N/A	WIRE ASSEMBLY, #16 BROWN	1	
14	N/A	WIRE ASSEMBLY, #18 RED (USED WITH STANDARD PACKAGE ONLY)	1	
15	N/A	WIRE ASSEMBLY, #16 ORANGE/WHITE	1	
16	N/A	WIRE ASSEMBLY, #16 GREEN/WHITE AND #16 BLUE (#16 BLUE WIRE ASSEMBLY USED WITH DELUXE PACKAGE ONLY)	1	
17	N/A	WIRE ASSEMBLY, #16 YELLOW	1	
18	N/A	WIRE ASSEMBLY, #16 WHITE	1	
19	N/A	WIRE ASSEMBLY, #14 YELLOW	1	
20	1016367	WIRE ASSEMBLY, #10 BLACK	1	
21	N/A	WIRE ASSEMBLY, #16 BLACK	1	
22	N/A	WIRE ASSEMBLY, #16 BLACK (PART OF TURN SIGNAL ASSEMBLY) (DELUXE ONLY)	1	

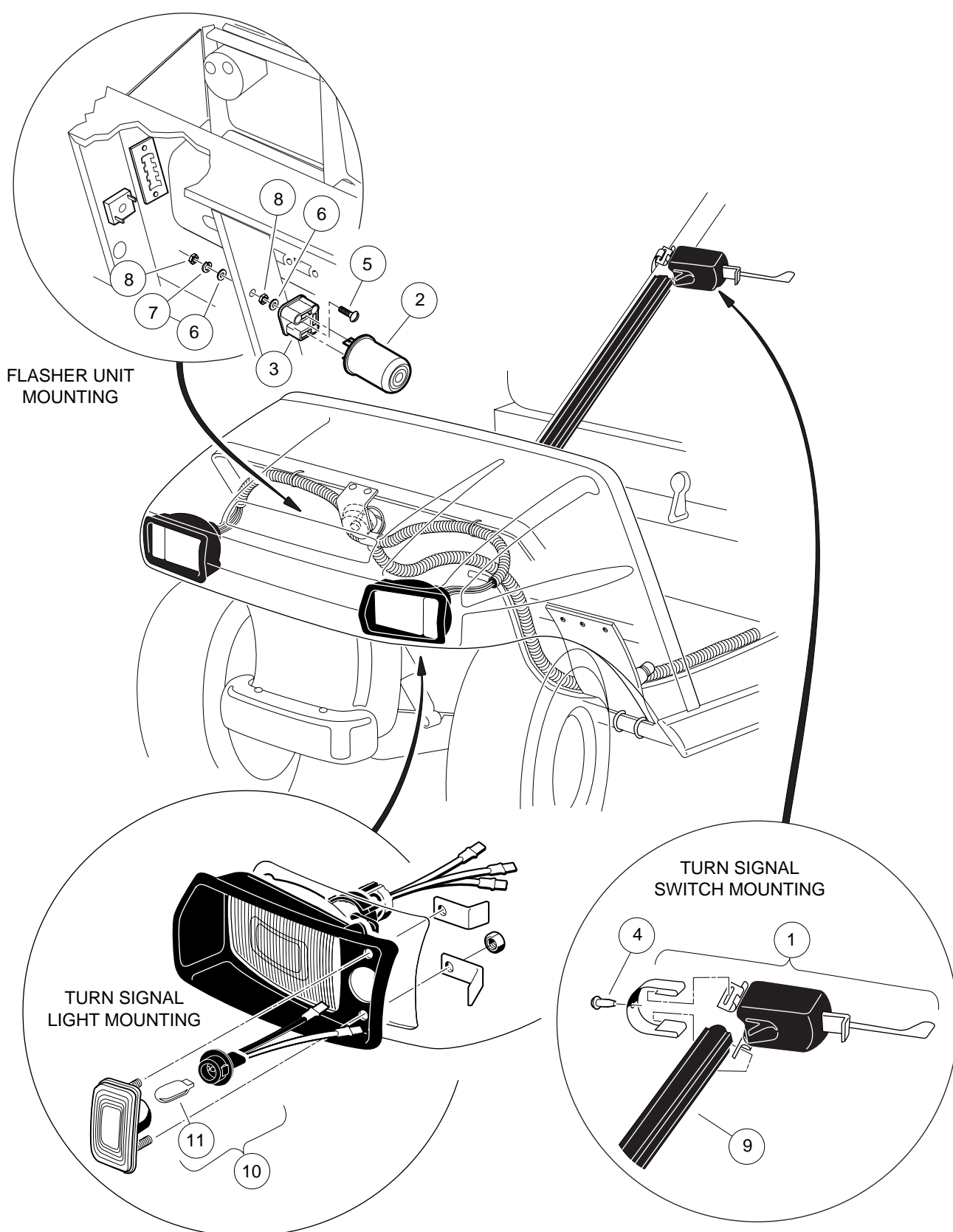
4
G
E



WIRING - STANDARD/DELUXE LIGHTING PACKAGES GASOLINE CARRYALL II AND II PLUS

ITEM	PART NO.	DESCRIPTION	QTY GAS	QTY ELEC
		1 2 3 4		
	1017050	LIGHTING HARNESS, STANDARD AND DELUXE (INCLUDES ITEMS 1 - 19) ...	1	
1	N/A	WIRE ASSEMBLY, #16 BLACK	1	
2	N/A	WIRE ASSEMBLY, #16 BLACK	1	
3	N/A	WIRE ASSEMBLY, #16 WHITE	1	
4	N/A	WIRE ASSEMBLY, #16 BLACK (USED WITH DELUXE PACKAGE ONLY)	1	
5	N/A	WIRE ASSEMBLY, #16 GREEN (USED WITH DELUXE PACKAGE ONLY)	1	
6	N/A	WIRE ASSEMBLY, #16 RED (USED WITH DELUXE PACKAGE ONLY)	1	
7	N/A	WIRE ASSEMBLY, #14, #18 BLACK	1	
8	N/A	WIRE ASSEMBLY, #18 BLUE	1	
9	N/A	WIRE ASSEMBLY, #16 ORANGE/WHITE	1	
10	N/A	WIRE ASSEMBLY, #16 ORANGE	1	
11	N/A	WIRE ASSEMBLY, #16 BROWN	1	
12	N/A	WIRE ASSEMBLY, #16 RED/WHITE	1	
13	N/A	WIRE ASSEMBLY, #16 BROWN	1	
14	N/A	WIRE ASSEMBLY, #18 RED (USED WITH STANDARD PACKAGE ONLY)	1	
15	N/A	WIRE ASSEMBLY, #16 ORANGE/WHITE	1	
16	N/A	WIRE ASSEMBLY, #16 GREEN/WHITE AND #16 BLUE (#16 BLUE WIRE ASSEMBLY USED WITH DELUXE PACKAGE ONLY)	1	
17	N/A	WIRE ASSEMBLY, #16 YELLOW	1	
18	N/A	WIRE ASSEMBLY, #16 WHITE	1	
19	N/A	WIRE ASSEMBLY, #14 YELLOW	1	
20	1016367	WIRE ASSEMBLY, #10 BLACK	1	
21	N/A	WIRE ASSEMBLY, #16 BLACK	1	
22	N/A	WIRE ASSEMBLY, #16 BLACK (PART OF TURN SIGNAL ASSEMBLY) (DELUXE ONLY)	1	

4
G
E

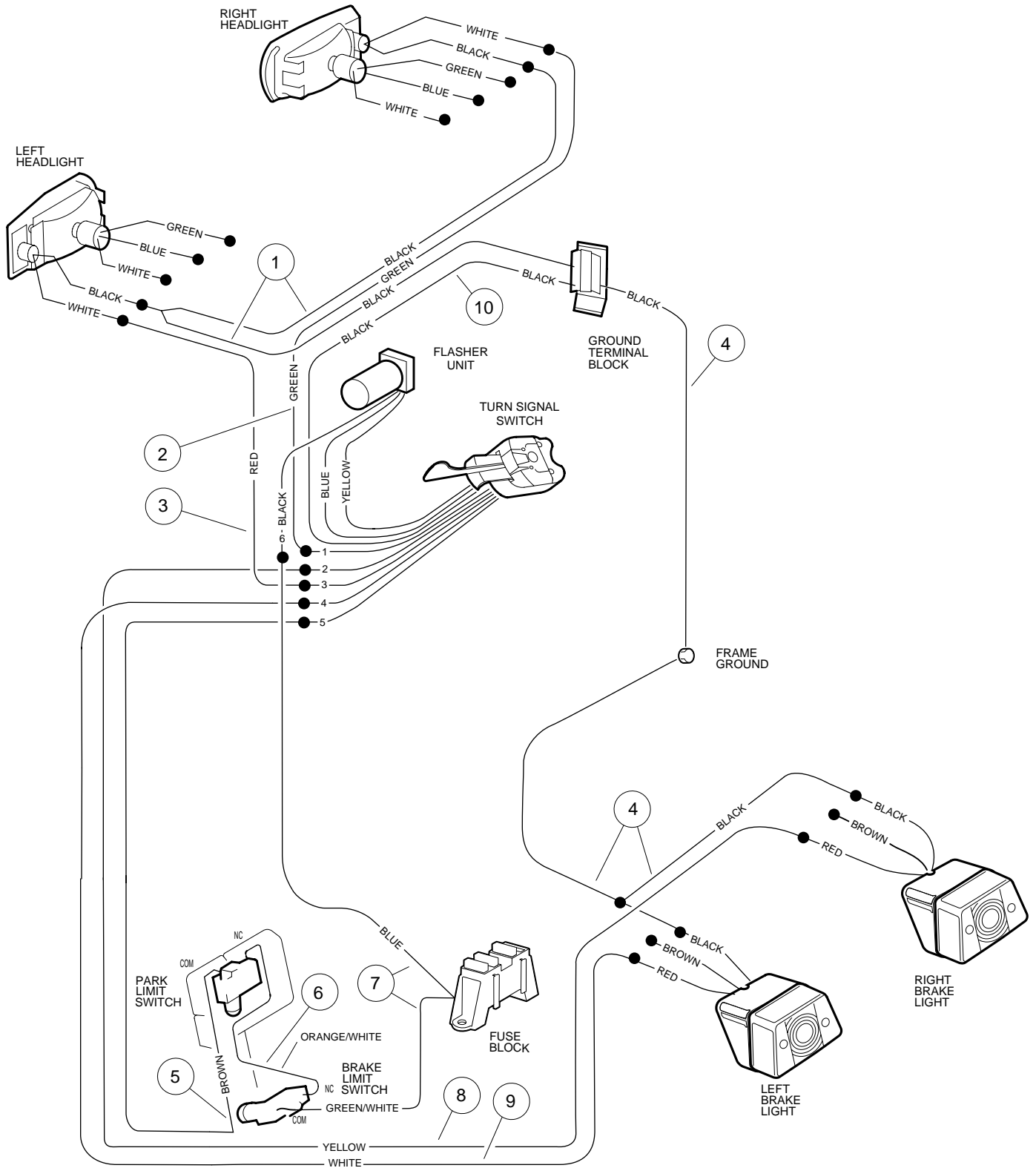


TURN SIGNAL CONVERSION KIT - GASOLINE VEHICLE WITH EXISTING STANDARD LIGHTING PACKAGE

ITEM	PART NO.	DESCRIPTION	QTY GAS	QTY ELEC
		1 2 3 4 TO INSTALL THIS KIT, VEHICLE MUST BE EQUIPPED WITH A STANDARD LIGHTING PACKAGE.		
	1017074-02	KIT, TURN SIGNAL CONVERSION (INCLUDES ITEMS 1 - 11)	1	
1	1011590	SUB-ASSEMBLY, TURN SIGNAL (INCLUDES ITEMS 2 AND 3)	1	
2	1017489	UNIT, FLASHER (THREE PRONG)	1	
3	N/A	BASE, MOUNT	1	
4	1017724	RIVET, PLASTIC	1	
5	0008104	SCREW, ROUND HEAD MACHINE, #10 - 32 x 3/4	1	
6	0000183	WASHER, FLAT, #10	2	
7	0001016	WASHER, LOCK, #10	1	
8	0007893	NUT, HEX, #10 - 32	2	
9	1011492	COVER, STEERING COLUMN WIRE	1	
10	1017075	ASSEMBLY, TURN SIGNAL HARNESS (INCLUDES ITEM 11)	2	
11	1011583	BULB, TURN SIGNAL (14 VOLTS, .27AMP)	1	

4
G
E

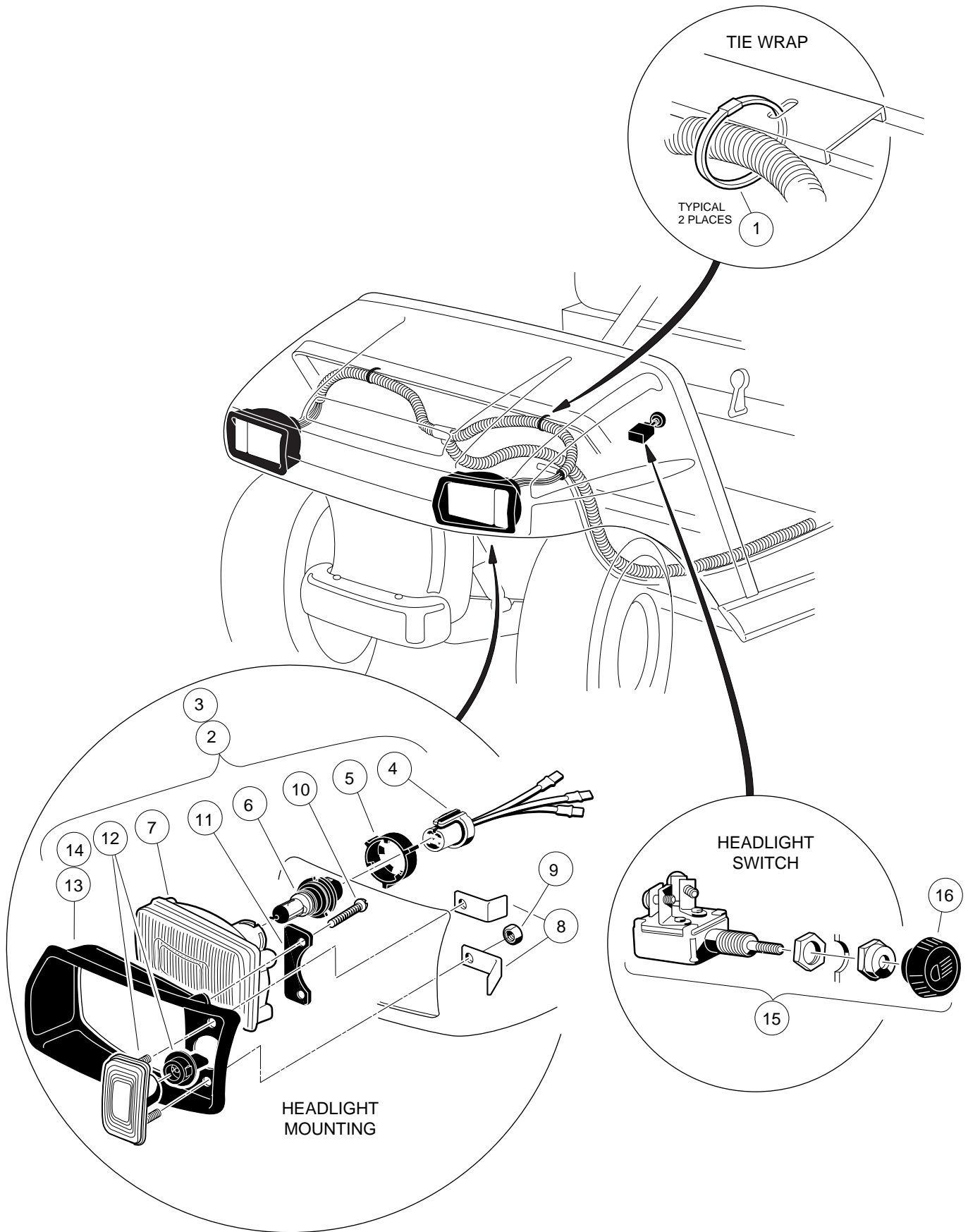
4
G
E



WIRING, TURN SIGNAL CONVERSION KIT - GASOLINE VEHICLE WITH EXISTING STANDARD LIGHTING PACKAGE

ITEM	PART NO.	DESCRIPTION	QTY GAS	QTY ELEC
		<p>1 2 3 4</p> <p>ALL WIRES THAT CONNECT THE TURN SIGNAL CONVERSION KIT ARE PART OF THE STANDARD LIGHTING HARNESS.</p> <p>CARRYALL I VEHICLES - WIRE PART NUMBERS THAT CONNECT TURN SIGNAL CONVERSION KIT ARE LISTED ON PAGE 4-15.</p> <p>CARRYALL II AND II PLUS VEHICLES - WIRE PART NUMBERS THAT CONNECT TURN SIGNAL CONVERSION KIT ARE LISTED ON PAGE 4-17.</p> <p>CARRYALL VI VEHICLES - PART NUMBERS FOR WIRES THAT CONNECT TURN SIGNAL CONVERSION KIT ARE LISTED BELOW. THESE ARE NOT PART OF THE KIT AND ARE LISTED ONLY FOR INFORMATIONAL PURPOSES.</p>		
1	N/A	WIRE ASSEMBLY, #16 BLACK	1	
2	N/A	WIRE ASSEMBLY, #16 GREEN	1	
3	N/A	WIRE ASSEMBLY, #16 RED	1	
4	N/A	WIRE ASSEMBLY, #14, #18 BLACK	1	
5	N/A	WIRE ASSEMBLY, #16 BROWN	1	
6	N/A	WIRE ASSEMBLY, #16 ORANGE/WHITE	1	
7	N/A	WIRE ASSEMBLY, #18 GREEN/WHITE AND #18 BLUE	1	
8	N/A	WIRE ASSEMBLY, #18 YELLOW	1	
9	N/A	WIRE ASSEMBLY, #18 WHITE	1	
10	N/A	WIRE ASSEMBLY, #16 BLACK (PART OF TURN SIGNAL SUB-ASSEMBLY)	1	

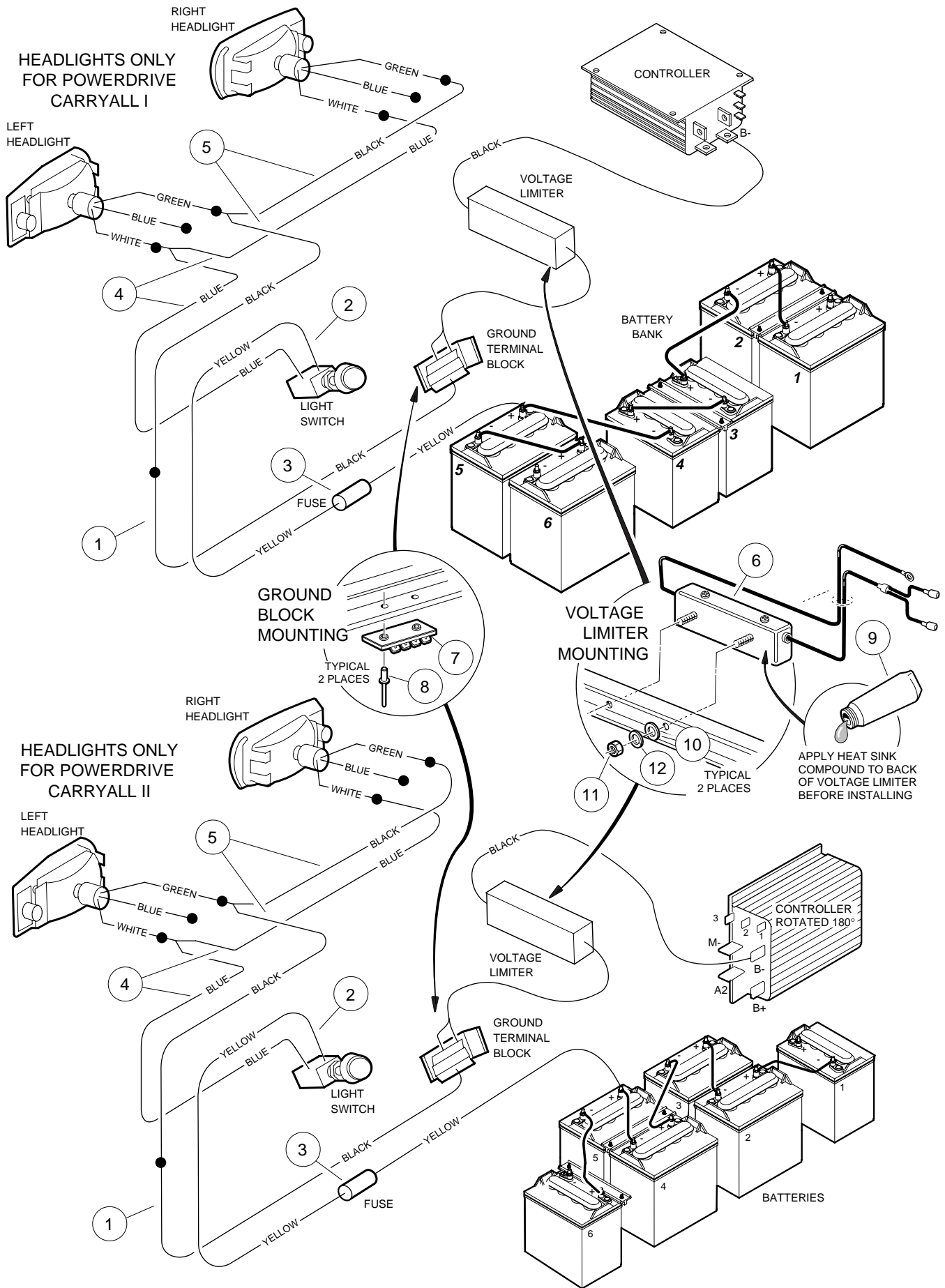
4
G
E



HEADLIGHTS ONLY POWERDRIVE ELECTRIC CARRYALL I AND CARRYALL II

ITEM	PART NO.	DESCRIPTION	QTY GAS	QTY ELEC
		1 2 3 4		
	1018280-03	KIT, HEADLIGHTS ONLY (INCLUDES ITEMS 1 - 16 AND ITEMS LISTED ON PAGE 4-25).....		1
1	0008990	WRAP, TIE		4
2	1016897-01	ASSEMBLY, HEADLIGHT, LEFT HAND (INCLUDES ITEMS 4 - 13)		1
3	1016897-02	ASSEMBLY, HEADLIGHT, RIGHT HAND (INCLUDES ITEMS 4 - 12 AND 14)		1
4	1017066	HARNES, HEADLIGHT WIRE		1
5	1017059	LOCK, BULB COLLAR		1
6	1017060	BULB, HALOGEN		1
7	1017061	LENS, HEADLIGHT		1
8	1017064	BRACKET, MOUNTING		2
9	0007893	NUT, HEX, #10 - 32		2
10	1013461	SCREW, HI-LO, #10 - 16		2
11	1017065	RETAINER, HEADLIGHT		1
12	1017062	ASSEMBLY, TURN SIGNAL LENS		1
13	1016880	BEZEL, HEADLIGHT, LEFT HAND		1
14	1016879	BEZEL, HEADLIGHT, RIGHT HAND		1
15	0004034	SWITCH, LIGHT (INCLUDES ITEM 16)		1
16	1013857	KNOB, LIGHT SWITCH		1

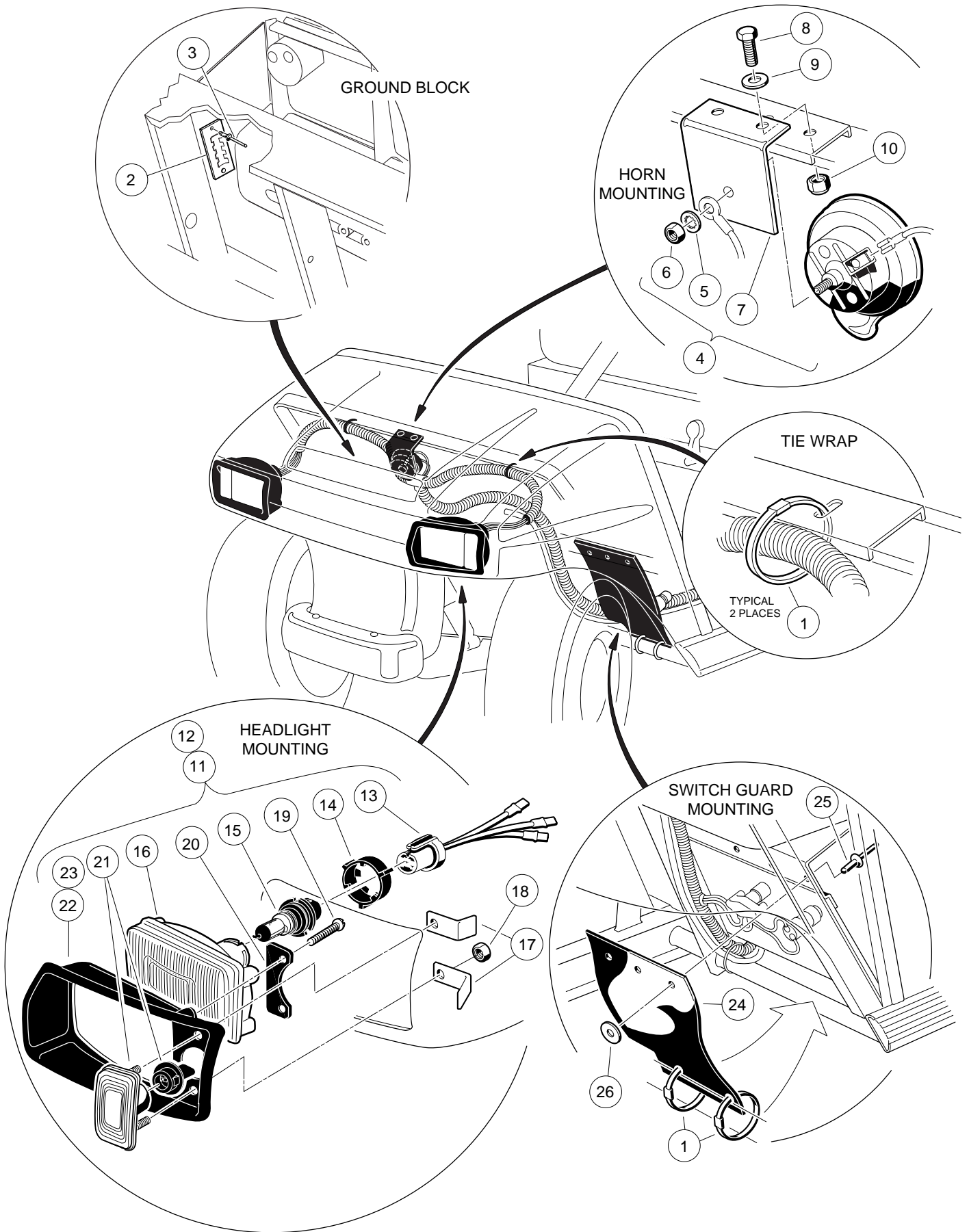
4
G
E



WIRING FOR HEADLIGHTS ONLY POWERDRIVE ELECTRIC CARRYALL I AND CARRYALL II

ITEM	PART NO.	DESCRIPTION	QTY GAS	QTY ELEC
		1 2 3 4		
	1018281-01	WIRE HARNESS (INCLUDES ITEMS 1 - 5)		1
1	N/A	WIRE ASSEMBLY, #16 BLACK		1
2	N/A	WIRE ASSEMBLY, #16 YELLOW (INCLUDES ITEM 3)		1
3	0008106	FUSE, 20 AMP		1
4	N/A	WIRE ASSEMBLY, #16 BLUE		1
5	N/A	WIRE ASSEMBLY, #16 BLACK		1
6	1018108-01	LIMITER, VOLTAGE (INCLUDES ITEMS 7 - 12)		1
7	1016356	BLOCK, TERMINAL		1
8	1013357	RIVET, ALUMINUM POP, 5/32		2
9	1018367-02	COMPOUND, HEAT SINK		A/R
10	1014007	WASHER, FLAT, 1/4		2
11	0001028	NUT, HEX, 1/4 - 20		2
12	0000451	WASHER, LOCK, 1/4 - 20		2

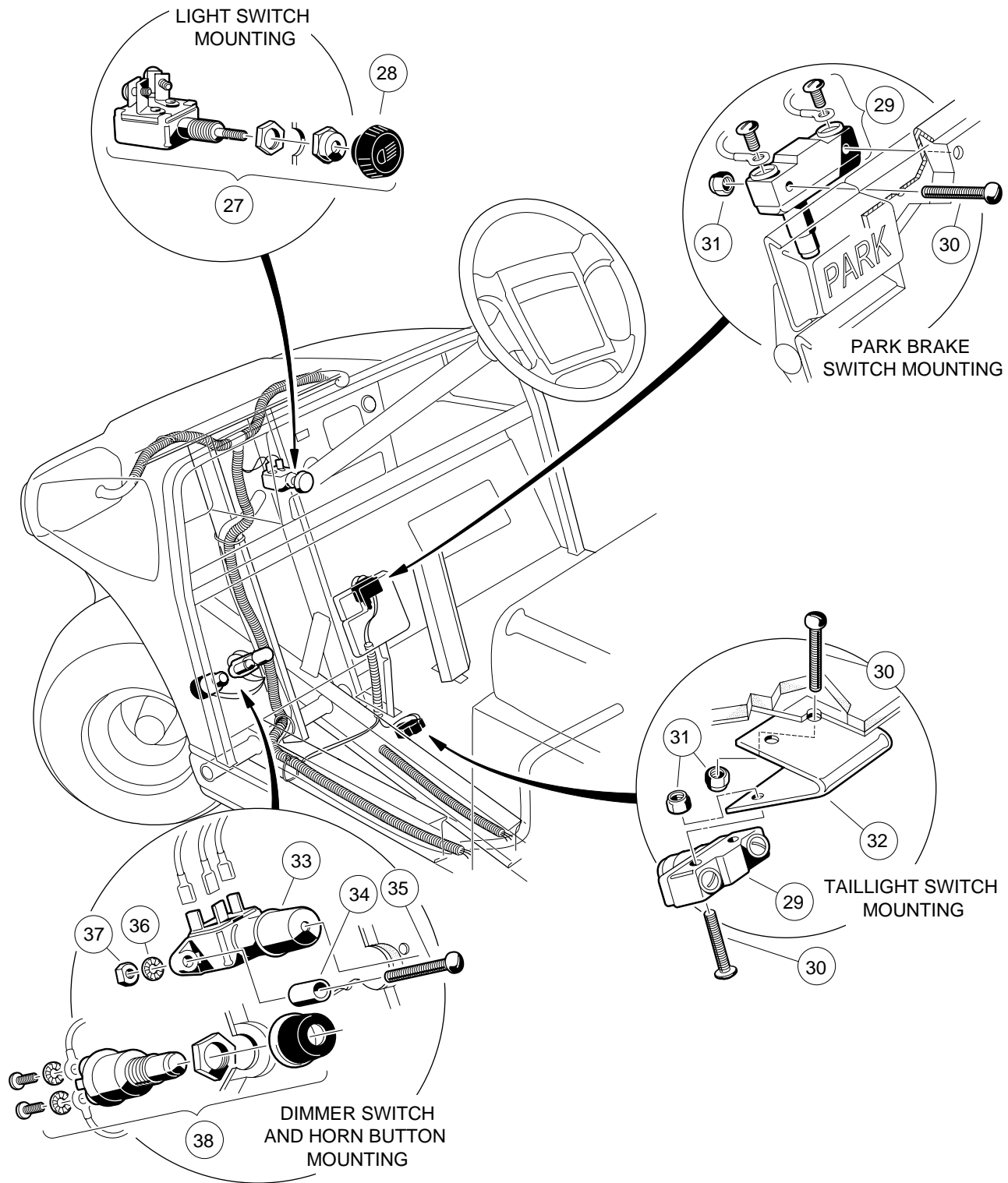
4
G
E



STANDARD LIGHTING PACKAGE, FRONT BODY POWERDRIVE ELECTRIC CARRYALL I AND CARRYALL II

ITEM	PART NO.	DESCRIPTION	QTY GAS	QTY ELEC
		1 2 3 4		
	1018140-11	STANDARD LIGHTING PACKAGE - POWERDRIVE CARRYALL I (INCLUDES ITEMS 1 - 63 AND ALL ITEMS ON PAGE 4-35)		1
	1018140-19	STANDARD LIGHTING PACKAGE - POWERDRIVE CARRYALL II (INCLUDES ITEMS 1 - 63 AND ALL ITEMS ON PAGE 4-37)		1
1	0008990	WRAP, TIE		4
2	1016356	BLOCK, TERMINAL		1
3	1013357	RIVET, ALUMINUM POP, 5/32		2
4	0004029	ASSEMBLY, HORN (INCLUDES ITEMS 5, 6 AND 7)		1
5	0007820	WASHER, INTERNAL TOOTH, 5/16		1
6	1012528	NUT, M8 x 32 MM		1
7	1011825	BRACKET, HORN		1
8	0000304	BOLT, HEX HEAD, 1/4 - 20 x 1		2
9	0000332	WASHER, FLAT, 1/4		2
10	0008233	NUT, NYLON LOCK, 1/4 - 20		2
11	1016897-01	ASSEMBLY, HEADLIGHT, DRIVER SIDE (INCLUDES ITEMS 13 - 22)		1
12	1016897-02	ASSEMBLY, HEADLIGHT, PASSENGER SIDE (INCLUDES ITEMS 13 - 21 AND 23)		1
13	1017066	HARNES, HEADLIGHT WIRE		1
14	1017059	LOCK, BULB COLLAR		1
15	1017060	BULB, HALOGEN		1
16	1017061	LENS, HEADLIGHT		1
17	1017064	BRACKET, MOUNTING		2
18	0007893	NUT, HEX, #10 - 32		2
19	1013461	SCREW, HI-LO, #10 - 16		2
20	1017065	RETAINER, HEADLIGHT		1
21	1017062	ASSEMBLY, TURN SIGNAL LENS		1
22	1016880	BEZEL, HEADLIGHT, DRIVER SIDE		1
23	1016879	BEZEL, HEADLIGHT, PASSENGER SIDE		1
24	1015787	FLAP, SWITCH PROTECTOR		1
25	0001606	RIVET, POP, 3/16		3
26	0000183	WASHER, FLAT, #10		3

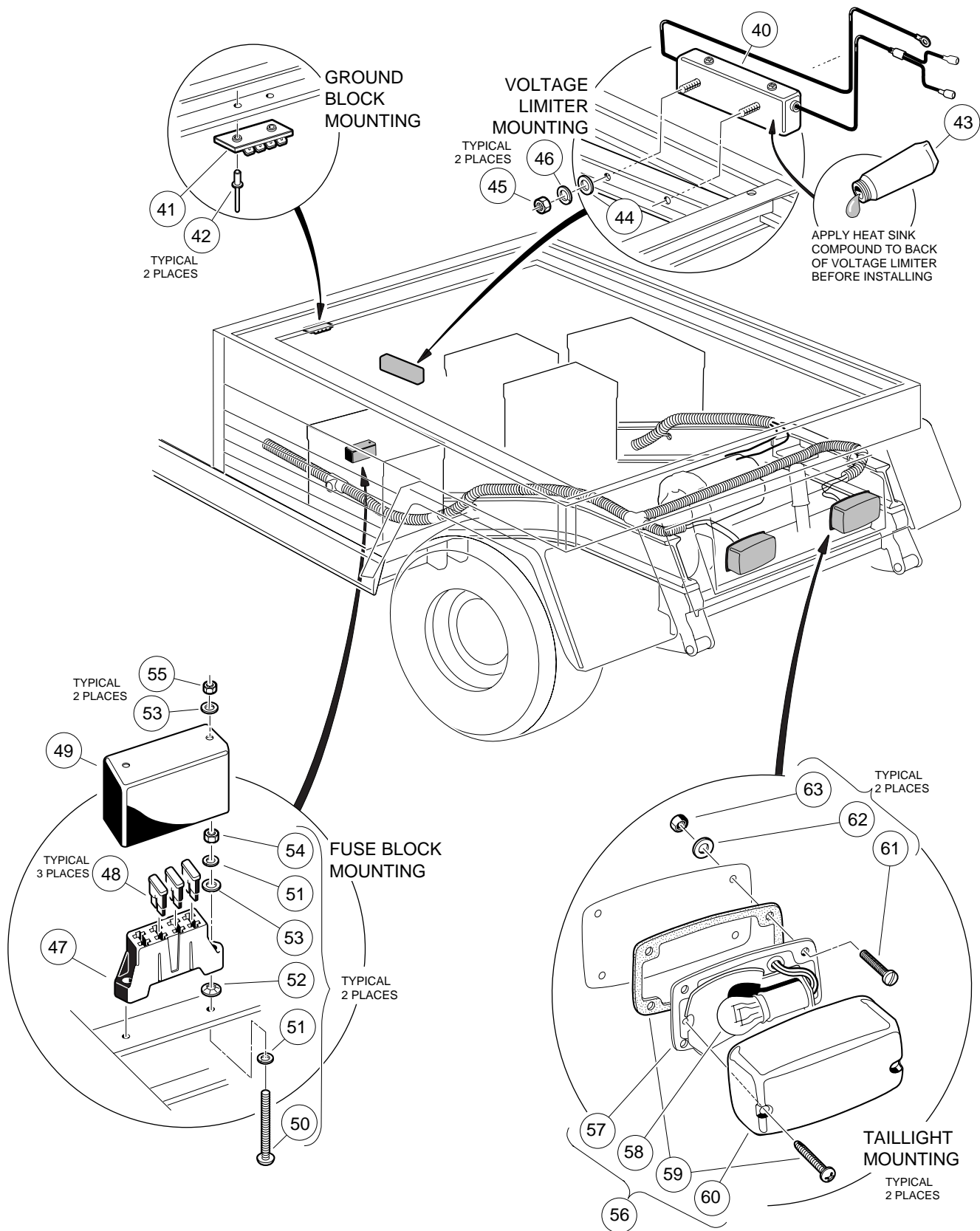
4
G
E



STANDARD LIGHTING PACKAGE, CONTROLS POWERDRIVE ELECTRIC CARRYALL I AND CARRYALL II

ITEM	PART NO.	DESCRIPTION	QTY GAS	QTY ELEC
		1 2 3 4		
27	0004034	SWITCH, LIGHT (INCLUDES ITEM 28)		1
28	1013857	KNOB, LIGHT SWITCH		1
29	1011439	SWITCH, LIMIT		2
30	1011557	SCREW, SLOTTED MACHINE, #6 - 32 x 1		6
31	1019322-01	NUT, NYLON LOCK, #6 - 32		6
32	1011742	BRACKET, BRAKE LIGHT SWITCH		1
33	1010889	SWITCH, DIMMER		1
34	1018713-01	STAND-OFF, DIMMER SWITCH		2
35	1018712-01	SCREW, SLOTTED MACHINE, #10 - 32 x 1		2
36	0008049	WASHER, INTERNAL TOOTH LOCK, #10		2
37	0007893	NUT, HEX, #10 - 32		2
38	1013443	BUTTON, HORN		1

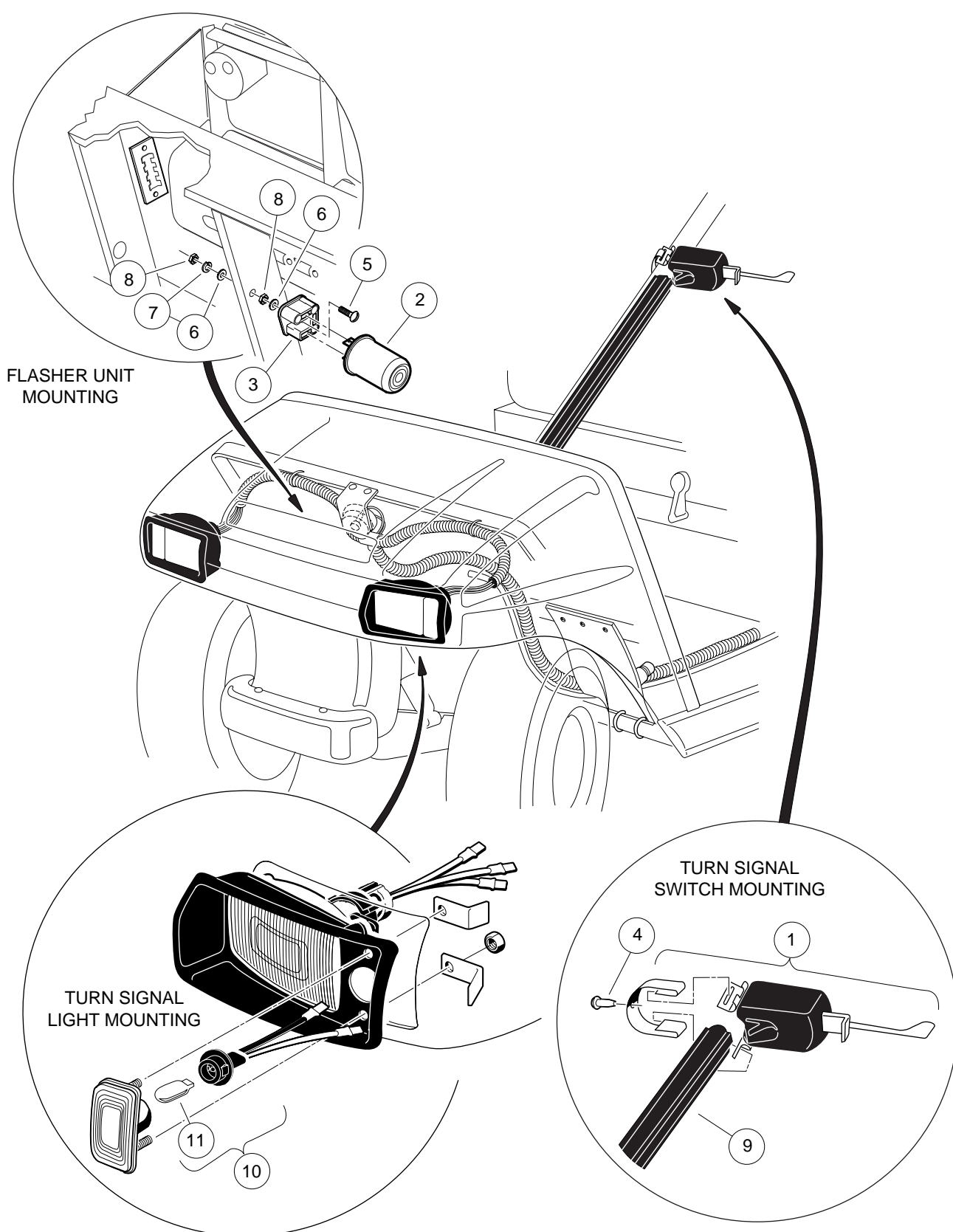
4
G
E



STANDARD LIGHTING PACKAGE, REAR BODY POWERDRIVE ELECTRIC CARRYALL I AND CARRYALL II

ITEM	PART NO.	DESCRIPTION	QTY GAS	QTY ELEC
		1 2 3 4		
40	1018108-01	LIMITER, VOLTAGE (INCLUDES ITEMS 41 - 46)		1
41	1016356	BLOCK, TERMINAL		1
42	1013357	RIVET, POP, 5/32		2
43	1018367-02	COMPOUND, HEAT SINK		A/R
44	1014007	WASHER, FLAT, 1/4		2
45	0001028	NUT, HEX, 1/4 - 20		2
46	0000451	WASHER, LOCK, 1/4		2
47	1015741	BLOCK, FUSE		1
48	1016423	FUSE, 20 AMP		3
49	1016363	COVER, FUSE BLOCK		1
50	1016366	SCREW, ROUND HEAD, #10 - 24 x 3		2
51	0001016	WASHER, LOCK, #10		2
52	1016631	NUT, PUSH		2
53	0000183	WASHER, FLAT, #10		4
54	0001017	NUT, HEX, #10 - 24		2
55	1012438	NUT, NYLON LOCK, #10 - 24		2
56	1017035	ASSEMBLY, TAILLIGHT (INCLUDES ITEMS 57 - 60)		2
57	N/A	BASE, TAILLIGHT		1
58	1011582	BULB		1
59	1017699	KIT, HARDWARE		1
60	1011843	LENS		1
61	1011557	SCREW, MACHINE, #6 - 32 x 1		4
62	0007591	WASHER, FLAT, #6		4
63	1011558	NUT, HEX, #6		4

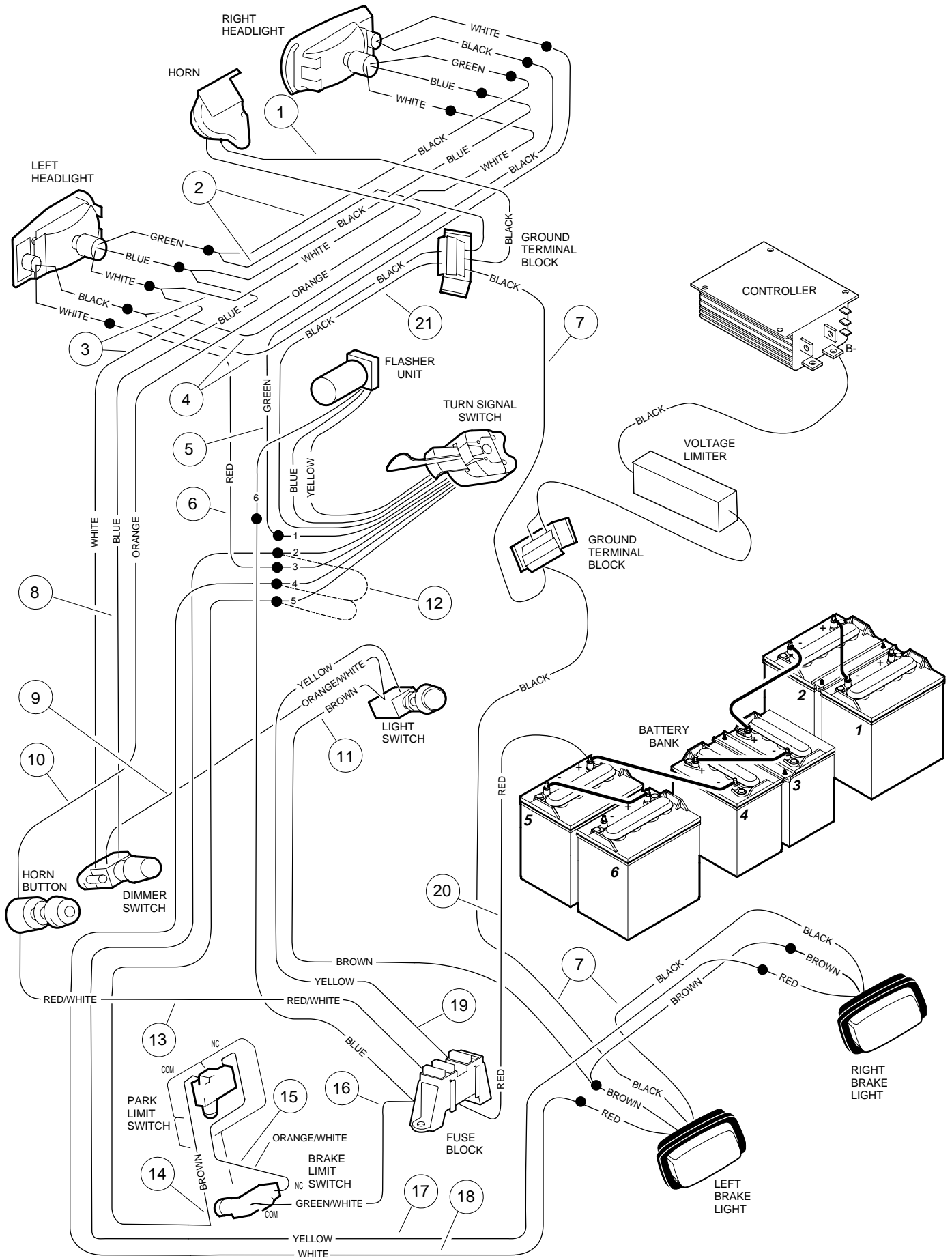
4
G
E



DELUXE LIGHTING PACKAGE POWERDRIVE ELECTRIC CARRYALL I AND CARRYALL II

ITEM	PART NO.	DESCRIPTION	QTY GAS	QTY ELEC
		1 2 3 4		
	1018140-12	DELUXE LIGHTING PACKAGE - POWERDRIVE CARRYALL I (INCLUDES ALL ITEMS ON PAGES 4-27 THROUGH 4-31, ALL ITEMS BELOW, AND ALL ITEMS ON PAGE 4-35)		1
	1018140-20	DELUXE LIGHTING PACKAGE - POWERDRIVE CARRYALL II (INCLUDES ALL ITEMS ON PAGES 4-27 THROUGH 4-31, ALL ITEMS BELOW, AND ALL ITEMS ON PAGE 4-37)		1
1	1011590	SUB-ASSEMBLY, TURN SIGNAL (INCLUDES ITEMS 2 AND 3)		1
2	1017489	UNIT, FLASHER (THREE PRONG)		1
3	N/A	BASE, MOUNT		1
4	1017724	RIVET, PLASTIC		1
5	0008104	SCREW, ROUND HEAD MACHINE, #10 - 32 x 3/4		1
6	0000183	WASHER, FLAT, #10		2
7	0001016	WASHER, LOCK, #10		1
8	0007893	NUT, HEX, #10 - 32		2
9	1011492	COVER, STEERING COLUMN WIRE		1
10	1017075	ASSEMBLY, TURN SIGNAL HARNESS (INCLUDES ITEM 11)		2
11	1011583	BULB, TURN SIGNAL (14 VOLTS, .27AMP)		1

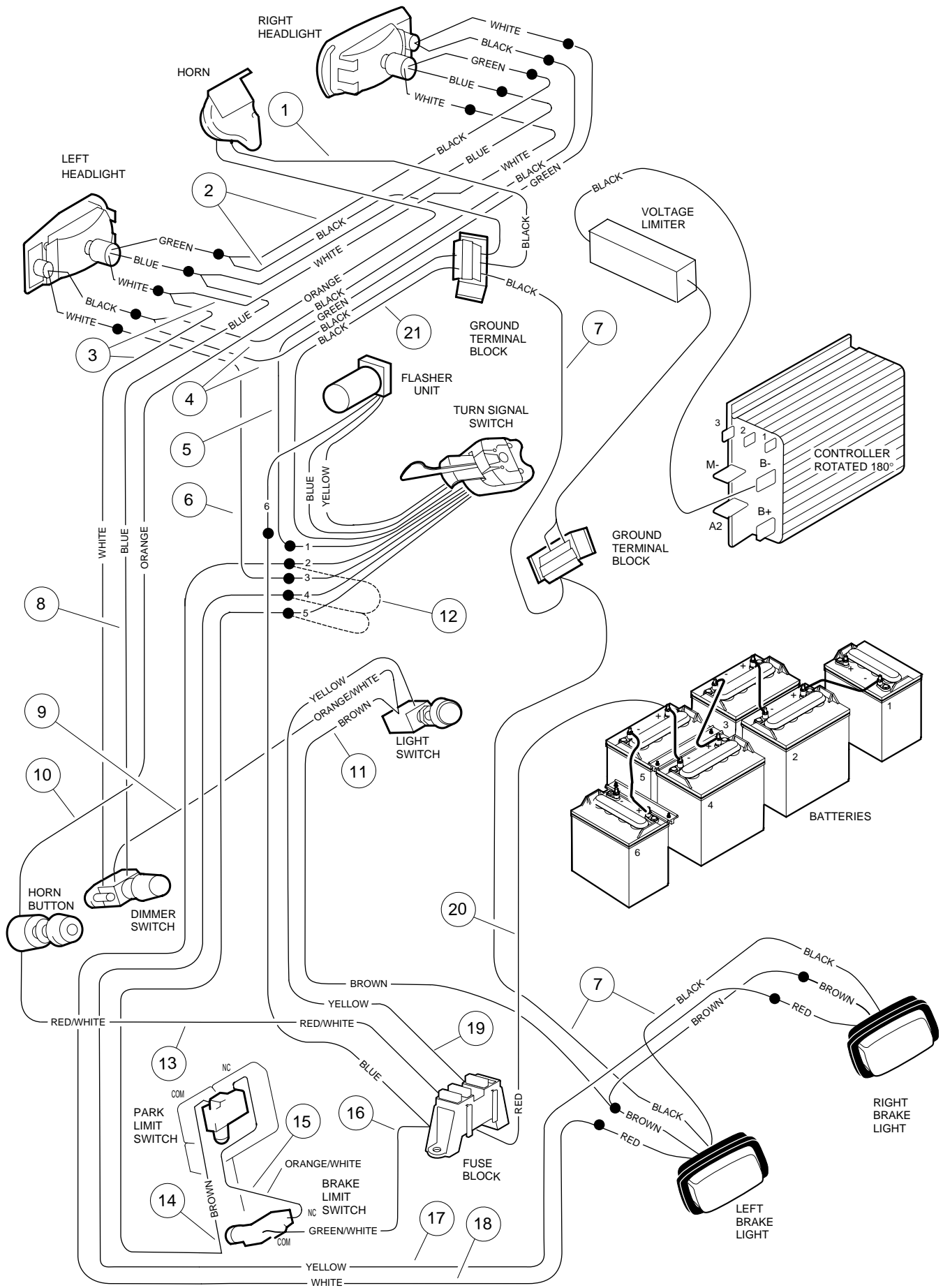
4
G
E



WIRING - STANDARD/DELUXE LIGHTING PACKAGES POWERDRIVE ELECTRIC CARRYALL I

ITEM	PART NO.	DESCRIPTION	QTY GAS	QTY ELEC
		1 2 3 4		
	1017051	LIGHTING HARNESS, STANDARD AND DELUXE (INCLUDES ITEMS 1 - 19)....		1
1	N/A	WIRE ASSEMBLY, #16 BLACK		1
2	N/A	WIRE ASSEMBLY, #16 BLACK		1
3	N/A	WIRE ASSEMBLY, #16 WHITE		1
4	N/A	WIRE ASSEMBLY, #16 BLACK (USED WITH DELUXE PACKAGE ONLY)		1
5	N/A	WIRE ASSEMBLY, #16 GREEN (USED WITH DELUXE PACKAGE ONLY)		1
6	N/A	WIRE ASSEMBLY, #16 RED (USED WITH DELUXE PACKAGE ONLY)		1
7	N/A	WIRE ASSEMBLY, #14, #18 BLACK		1
8	N/A	WIRE ASSEMBLY, #18 BLUE		1
9	N/A	WIRE ASSEMBLY, #16 ORANGE/WHITE		1
10	N/A	WIRE ASSEMBLY, #16 ORANGE		1
11	N/A	WIRE ASSEMBLY, #16 BROWN		1
12	N/A	WIRE ASSEMBLY, #18 RED (USED WITH STANDARD PACKAGE ONLY)		1
13	N/A	WIRE ASSEMBLY, #16 RED/WHITE		1
14	N/A	WIRE ASSEMBLY, #16 BROWN		1
15	N/A	WIRE ASSEMBLY, #16 ORANGE/WHITE		1
16	N/A	WIRE ASSEMBLY, #16 GREEN/WHITE AND #16 BLUE (#16 BLUE WIRE ASSEMBLY USED WITH DELUXE PACKAGE ONLY).....		1
17	N/A	WIRE ASSEMBLY, #16 YELLOW		1
18	N/A	WIRE ASSEMBLY, #16 WHITE		1
19	N/A	WIRE ASSEMBLY, #14 YELLOW		1
20	1018106-01	WIRE ASSEMBLY, #10 RED		1
21	N/A	WIRE ASSEMBLY, #16 BLACK (PART OF TURN SIGNAL ASSEMBLY) (DELUXE ONLY).....		1

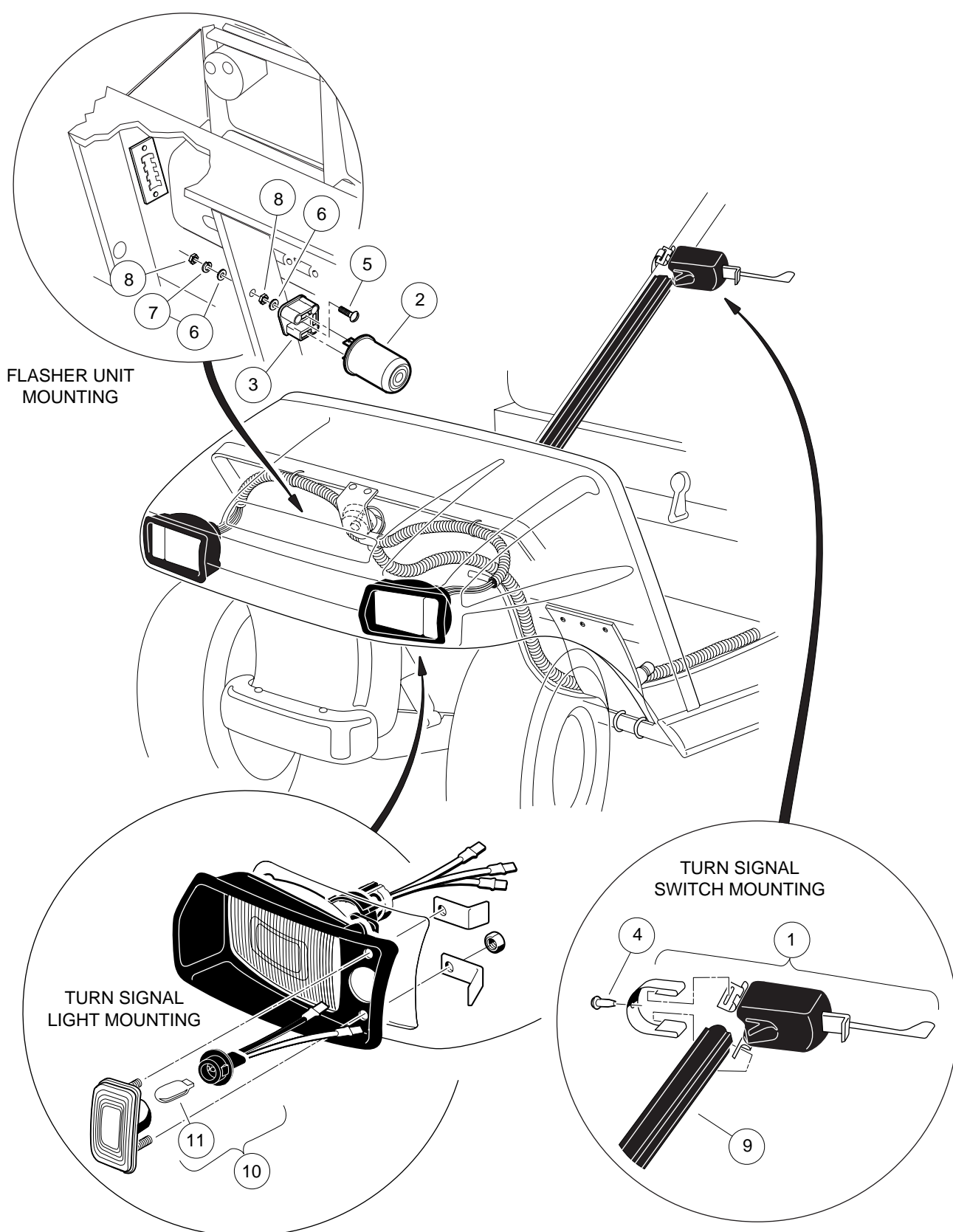
4
G
E



WIRING - STANDARD/DELUXE LIGHTING PACKAGES POWERDRIVE ELECTRIC CARRYALL II

ITEM	PART NO.	DESCRIPTION	QTY GAS	QTY ELEC
		1 2 3 4		
	1017050	LIGHTING HARNESS, STANDARD AND DELUXE (INCLUDES ITEMS 1 - 19)....		1
1	N/A	WIRE ASSEMBLY, #16 BLACK		1
2	N/A	WIRE ASSEMBLY, #16 BLACK		1
3	N/A	WIRE ASSEMBLY, #16 WHITE		1
4	N/A	WIRE ASSEMBLY, #16 BLACK (USED WITH DELUXE PACKAGE ONLY)		1
5	N/A	WIRE ASSEMBLY, #16 GREEN (USED WITH DELUXE PACKAGE ONLY)		1
6	N/A	WIRE ASSEMBLY, #16 RED (USED WITH DELUXE PACKAGE ONLY)		1
7	N/A	WIRE ASSEMBLY, #14, #18 BLACK		1
8	N/A	WIRE ASSEMBLY, #18 BLUE		1
9	N/A	WIRE ASSEMBLY, #16 ORANGE/WHITE		1
10	N/A	WIRE ASSEMBLY, #16 ORANGE		1
11	N/A	WIRE ASSEMBLY, #16 BROWN		1
12	N/A	WIRE ASSEMBLY, #18 RED (USED WITH STANDARD PACKAGE ONLY)		1
13	N/A	WIRE ASSEMBLY, #16 RED/WHITE		1
14	N/A	WIRE ASSEMBLY, #16 BROWN		1
15	N/A	WIRE ASSEMBLY, #16 ORANGE/WHITE		1
16	N/A	WIRE ASSEMBLY, #16 GREEN/WHITE AND #16 BLUE (#16 BLUE WIRE ASSEMBLY USED WITH DELUXE PACKAGE ONLY).....		1
17	N/A	WIRE ASSEMBLY, #16 YELLOW		1
18	N/A	WIRE ASSEMBLY, #16 WHITE		1
19	N/A	WIRE ASSEMBLY, #14 YELLOW		1
20	1016698	WIRE ASSEMBLY, #10 RED		1
21	N/A	WIRE ASSEMBLY, #16 BLACK (PART OF TURN SIGNAL ASSEMBLY) (DELUXE ONLY).....		1

4
G
E



FLASHER UNIT MOUNTING

TURN SIGNAL LIGHT MOUNTING

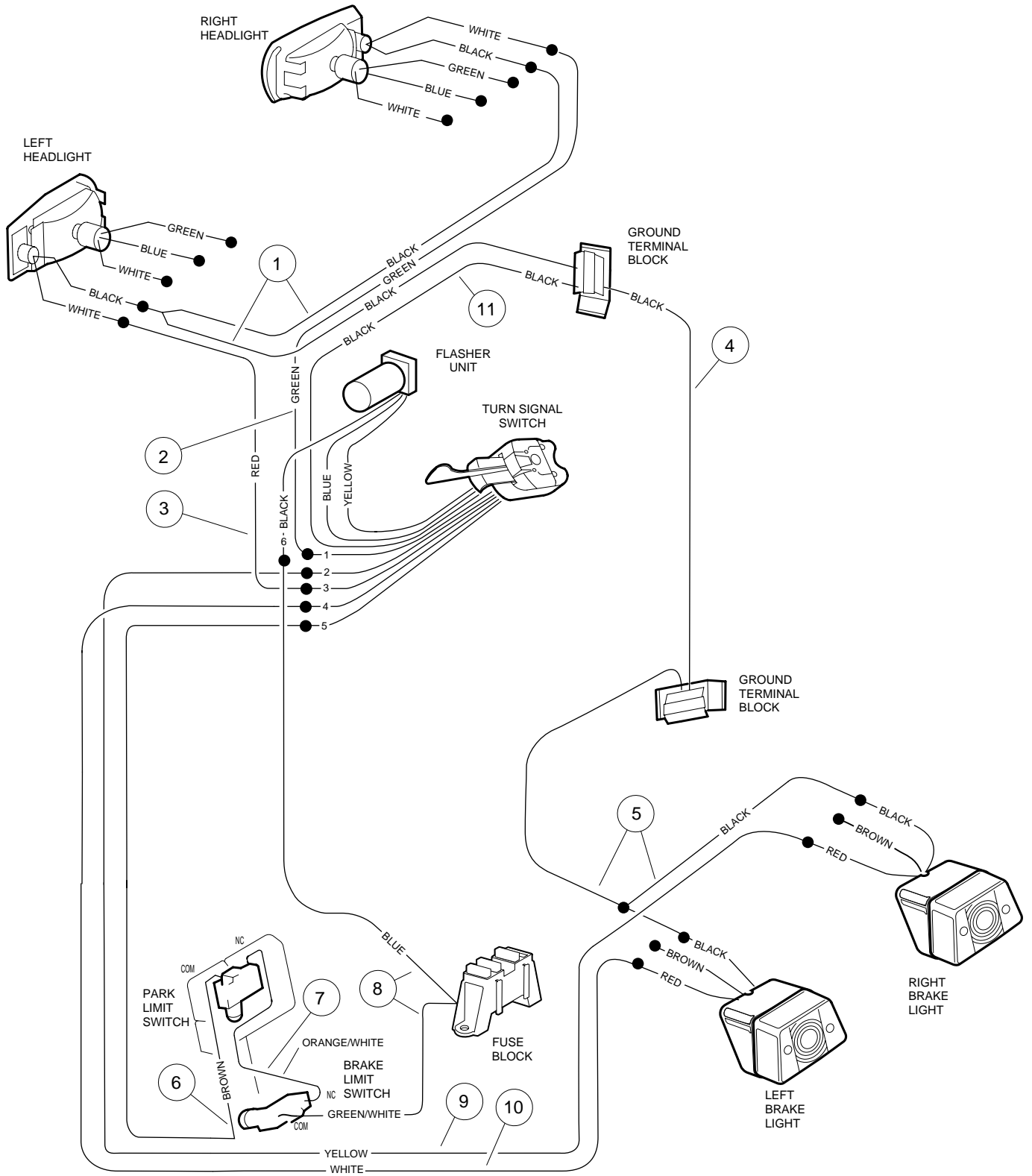
TURN SIGNAL SWITCH MOUNTING

TURN SIGNAL CONVERSION KIT - POWERDRIVE VEHICLE WITH EXISTING STANDARD LIGHTING PACKAGE

ITEM	PART NO.	DESCRIPTION	QTY GAS	QTY ELEC
		1 2 3 4 TO INSTALL THIS KIT, VEHICLE MUST BE EQUIPPED WITH A STANDARD LIGHTING PACKAGE.		
	1017074-02	KIT, TURN SIGNAL CONVERSION (INCLUDES ITEMS 1 - 11)		1
1	1011590	SUB-ASSEMBLY, TURN SIGNAL (INCLUDES ITEMS 2 AND 3)		1
2	1017489	UNIT, FLASHER (THREE PRONG)		1
3	N/A	BASE, MOUNT		1
4	1017724	RIVET, PLASTIC		1
5	0008104	SCREW, ROUND HEAD MACHINE, #10 - 32 x 3/4		1
6	0000183	WASHER, FLAT, #10		2
7	0001016	WASHER, LOCK, #10		1
8	0007893	NUT, HEX, #10 - 32		2
9	1011492	COVER, STEERING COLUMN WIRE		1
10	1017075	ASSEMBLY, TURN SIGNAL HARNESS (INCLUDES ITEM 11)		2
11	1011583	BULB, TURN SIGNAL (14 VOLTS, .27AMP)		1

4
G
E

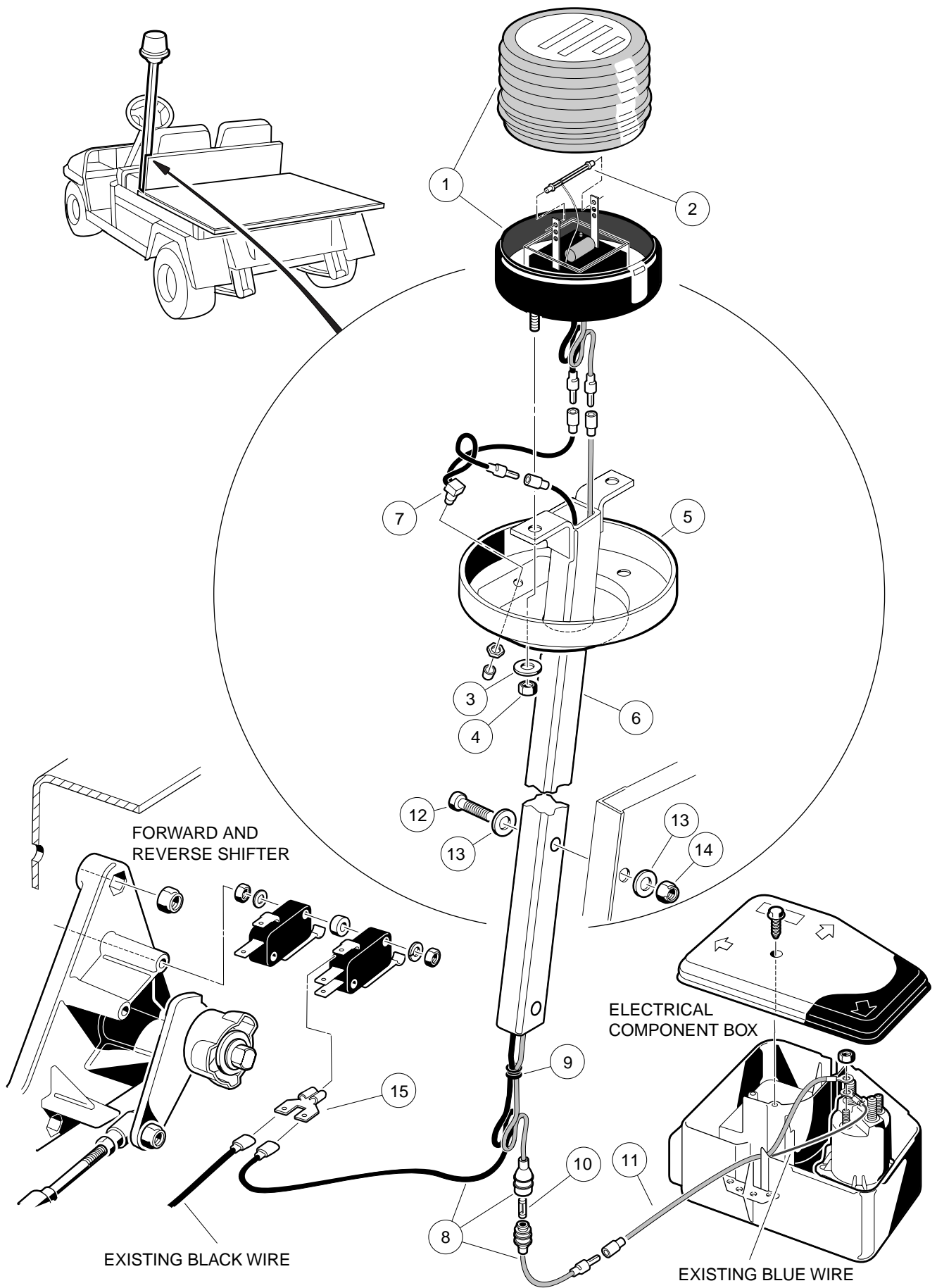
**4
G
E**



WIRING, TURN SIGNAL CONVERSION KIT, POWERDRIVE VEHICLE WITH EXISTING STANDARD LIGHTING PACKAGE

ITEM	PART NO.	DESCRIPTION	QTY GAS	QTY ELEC
		<p>1 2 3 4</p> <p>ALL WIRES THAT CONNECT THE TURN SIGNAL CONVERSION KIT ARE PART OF THE STANDARD LIGHTING HARNESS.</p> <p>CARRYALL I VEHICLES - WIRE PART NUMBERS THAT CONNECT TURN SIGNAL CONVERSION KIT ARE LISTED ON PAGE 4-35.</p> <p>CARRYALL II AND II PLUS VEHICLES - WIRE PART NUMBERS THAT CONNECT TURN SIGNAL CONVERSION KIT ARE LISTED ON PAGE 4-37.</p> <p>CARRYALL VI VEHICLES - PART NUMBERS FOR WIRES THAT CONNECT TURN SIGNAL CONVERSION KIT ARE LISTED BELOW. THESE ARE NOT PART OF THE KIT AND ARE LISTED ONLY FOR INFORMATIONAL PURPOSES.</p>		
1	N/A	WIRE ASSEMBLY, #16 BLACK.....		1
2	N/A	WIRE ASSEMBLY, #16 GREEN		1
3	N/A	WIRE ASSEMBLY, #16 RED		1
4	N/A	WIRE ASSEMBLY, #14 BLACK		1
5	N/A	WIRE ASSEMBLY, #16 BLACK.....		1
6	N/A	WIRE ASSEMBLY, #16 BROWN		1
7	N/A	WIRE ASSEMBLY, #16 ORANGE/WHITE		1
8	N/A	WIRE ASSEMBLY, #16 GREEN/WHITE AND #16 BLUE		1
9	N/A	WIRE ASSEMBLY, #18 YELLOW		1
10	N/A	WIRE ASSEMBLY, #18 WHITE		1
11	N/A	WIRE ASSEMBLY, #16 BLACK (PART OF TURN SIGNAL ASSEMBLY)		1

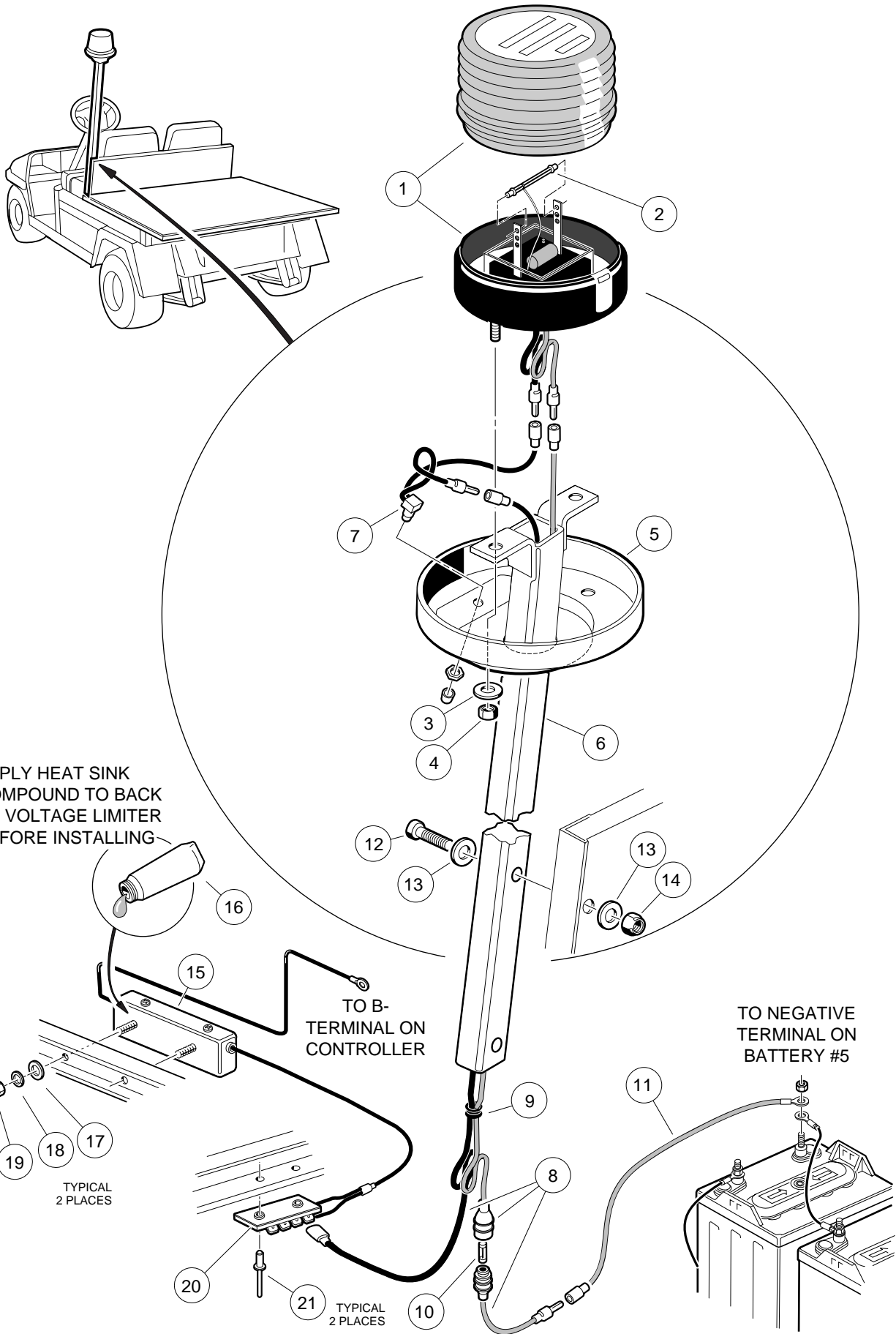
4
G
E



POST-MOUNTED SAFETY STROBE LIGHT GASOLINE VEHICLE

ITEM	PART NO.	DESCRIPTION	QTY GAS	QTY ELEC
		1 2 3 4		
	1015765	KIT, POST-MOUNTED STROBE LIGHT (INCLUDES ITEMS 1 - 15)	1	
1	1015156	LIGHT, STROBE (INCLUDES ITEMS 2 - 4)	1	
2	1015526	BULB, STROBE LIGHT	1	
3	0000183	WASHER, FLAT, #10	2	
4	0007893	NUT, HEX, #10 - 32	2	
5	1015157	PLATE, COVER	1	
6	1015160	POLE WELDMENT	1	
7	1015187	SWITCH ASSEMBLY	1	
8	1015172	WIRE HARNESS (INCLUDES ITEMS 9 AND 10)	1	
9	0007861	GROMMET	1	
10	1011777	FUSE, 3 AMP	1	
11	N/A	WIRE ASSEMBLY, #16 YELLOW (CARRYALL I, II, AND II PLUS)	1	
11	N/A	WIRE ASSEMBLY, #18 RED (CARRYALL VI)	1	
12	1013509	SCREW, HEX HEAD, 1/4 - 20 x 3/4	2	
13	0000332	WASHER, FLAT, 1/4	6	
14	0001028	NUT, HEX, 1/4 - 20	2	
15	1015162	TERMINAL, DOUBLE MALE	1	

4
G
E



POST-MOUNTED SAFETY STROBE LIGHT POWERDRIVE ELECTRIC VEHICLE

ITEM	PART NO.	DESCRIPTION	QTY GAS	QTY ELEC
		1 2 3 4		
	1018146-01	KIT, POST-MOUNTED STROBE LIGHT (INCLUDES ITEMS 1 - 14).....		1
1	1015156	LIGHT, STROBE (INCLUDES ITEMS 2 - 4)		1
2	1015526	BULB, STROBE LIGHT		1
3	0000183	WASHER, FLAT, #10		2
4	0007893	NUT, HEX, #10 - 32		2
5	1015157	PLATE, COVER		1
6	1015160	POLE		1
7	1015187	SWITCH ASSEMBLY		1
8	1015172	WIRE HARNESS (INCLUDES ITEMS 9 AND 10)		1
9	0007861	GROMMET		1
10	1011777	FUSE, 3 AMP		1
11	N/A	WIRE ASSEMBLY, #18 RED		1
12	1013509	SCREW, HEX HEAD, 1/4 - 20 x 3/4		2
13	0000332	WASHER, FLAT, 1/4		4
14	0001028	NUT, HEX, 1/4 - 20.....		2
15	1018108-01	LIMITER, VOLTAGE (INCLUDES ITEMS 16 - 21)		1
16	1018367-02	COMPOUND, HEAT SINK		A/R
17	1014007	WASHER, FLAT, 1/4		2
18	0000451	WASHER, LOCK, 1/4		2
19	0001028	NUT, HEX, 1/4 - 20		2
20	1016356	BLOCK, TERMINAL		1
21	1013357	RIVET, POP, 5/32		2

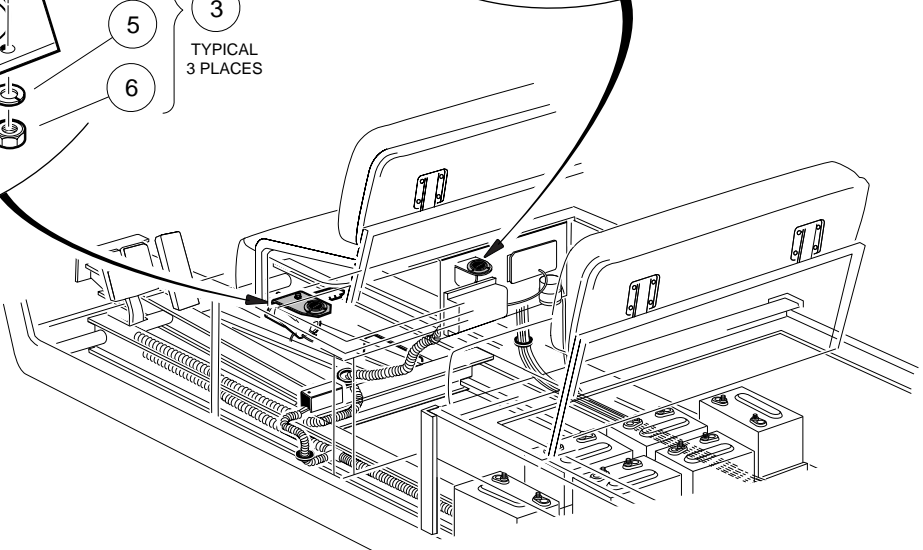
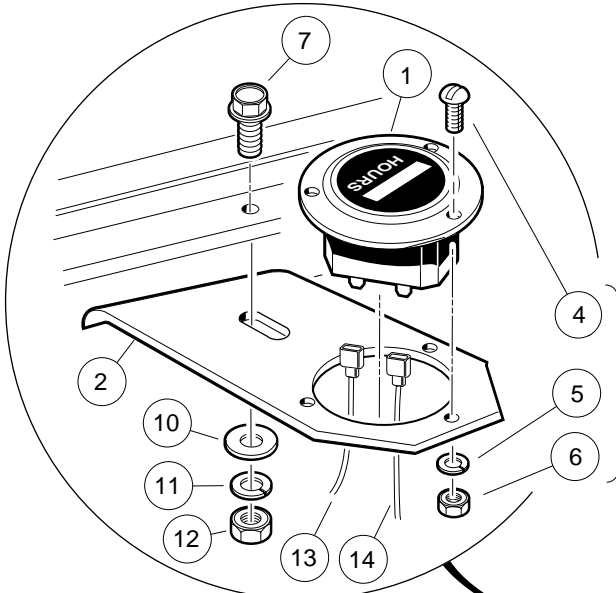
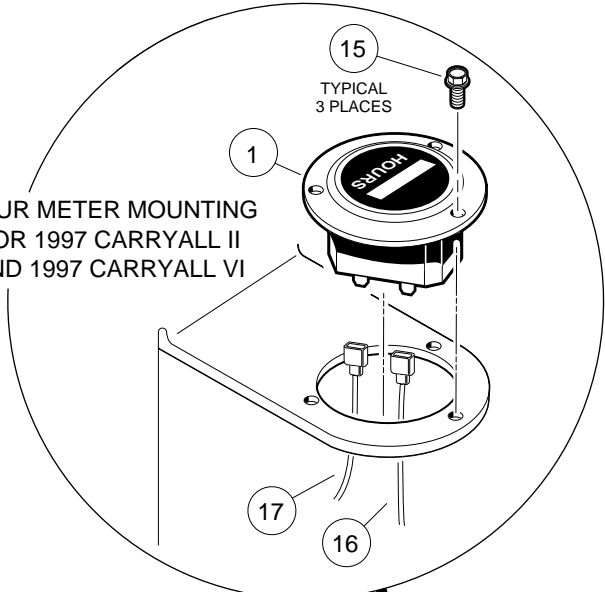
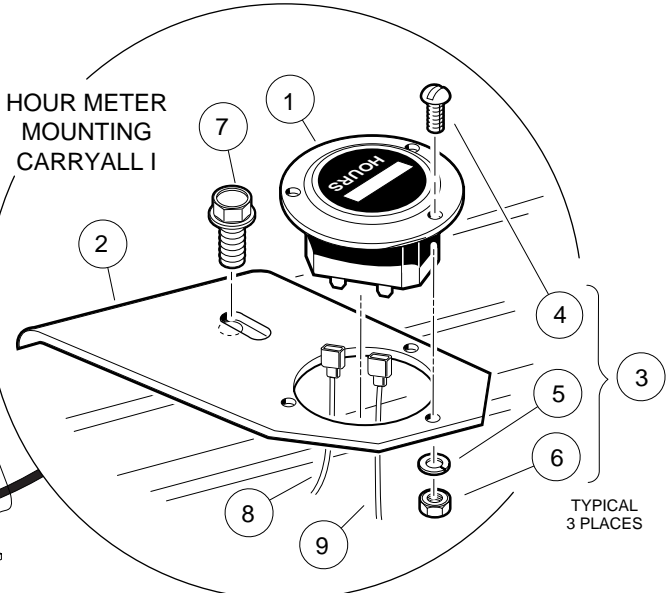
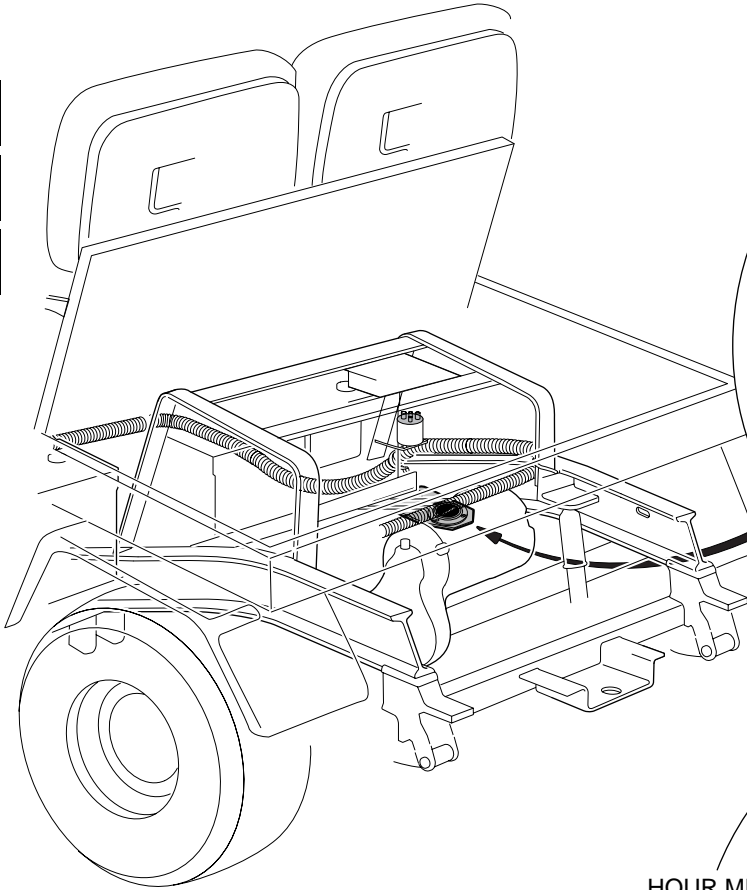
4
G
E

METERS, GAUGES, AND INDICATORS

5

G

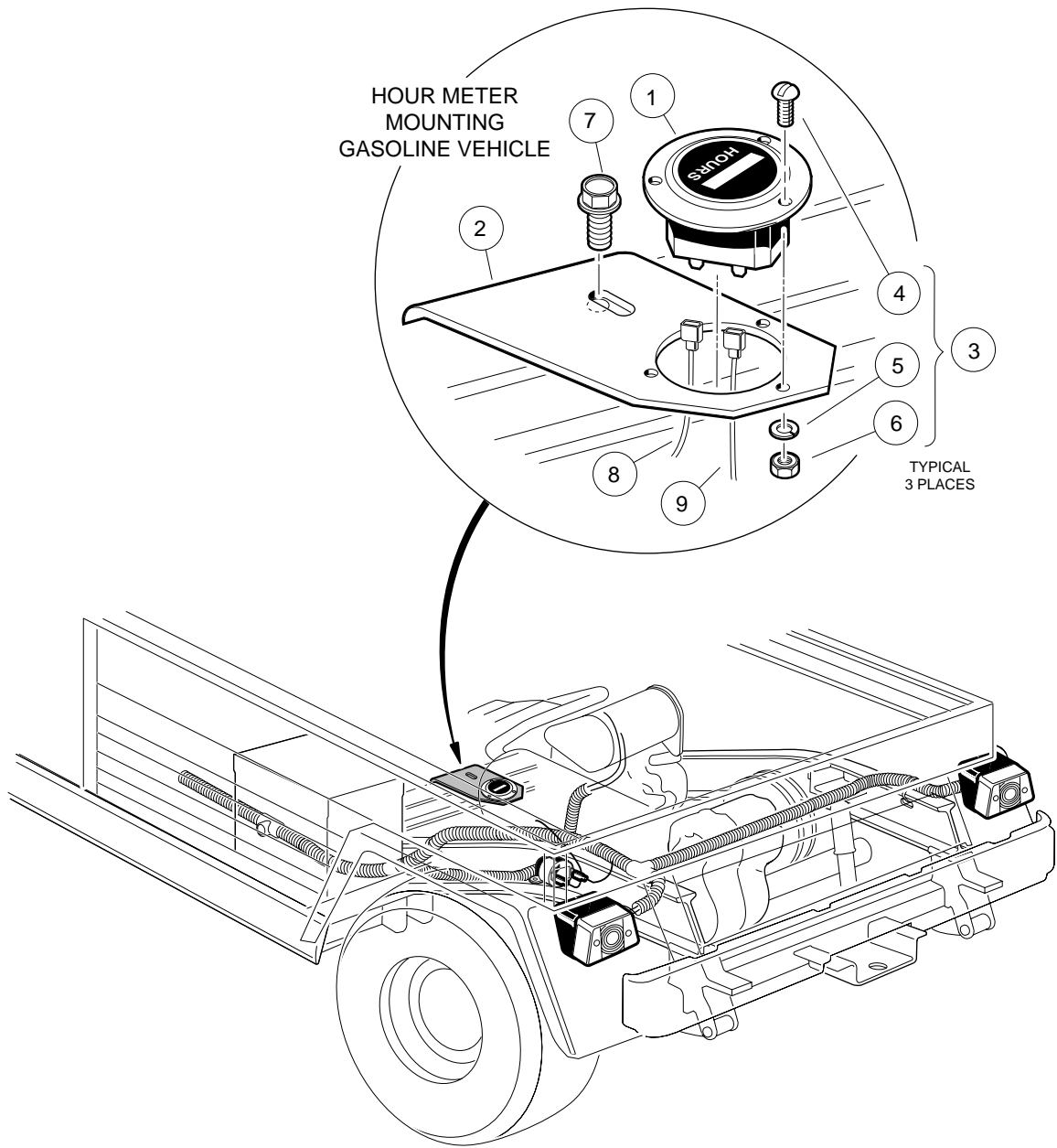
E



HOUR METER - POWERDRIVE ELECTRIC VEHICLE

ITEM	PART NO.	DESCRIPTION	QTY GAS	QTY ELEC
		1 2 3 4		
	1013579	KIT, HOUR METER (INCLUDES ITEMS 1 - 17)		1
1	1016877	HOUR METER		1
2	1013547	BRACKET, HOUR METER		1
3	1016862	HARDWARE, MOUNTING (INCLUDES ITEMS 4 - 6)		1
4	N/A	SCREW, ROUND HEAD, #6 - 32 x 1/2		3
5	N/A	WASHER, LOCK, #6		3
6	N/A	NUT, HEX, #6 - 32		3
7	1012285	SCREW, HEX HEAD THREAD ROLLING, 1/4 - 20 x 5/8 (FOR CARRYALL I AND 1995 AND 1996 CARRYALL VI)		1
8	N/A	WIRE ASSEMBLY, #18 RED (31 IN.) (FOR CARRYALL I ONLY)		1
9	N/A	WIRE ASSEMBLY, #18 BLACK (20 IN.) (FOR CARRYALL I ONLY)		1
10	0000332	WASHER, FLAT, 1/4 (FOR 1995 AND 1996 CARRYALL VI ONLY)		1
11	0000451	WASHER, LOCK, 1/4 (FOR 1995 AND 1996 CARRYALL VI ONLY)		1
12	0001028	NUT, HEX, 1/4 -20 (FOR 1995 AND 1996 CARRYALL VI ONLY)		1
13	N/A	WIRE ASSEMBLY, #18 RED (41 IN.) (FOR 1995 AND 1996 CARRYALL VI ONLY)		1
14	N/A	WIRE ASSEMBLY, #18 BLACK (41 IN.) (FOR 1995 AND 1996 CARRYALL VI ONLY)		1
15	1014540	SCREW, TAPTITE, #6 - 32 x 3/8 (FOR 1997 CARRYALL II AND 1997 CARRYALL VI)		3
16	N/A	WIRE ASSEMBLY, #18 RED (18 IN.) (FOR 1997 CARRYALL II AND 1997 CARRYALL VI)		1
17	N/A	WIRE ASSEMBLY, #18 BLACK (18 IN.) (FOR 1997 CARRYALL II AND 1997 CARRYALL VI)		1

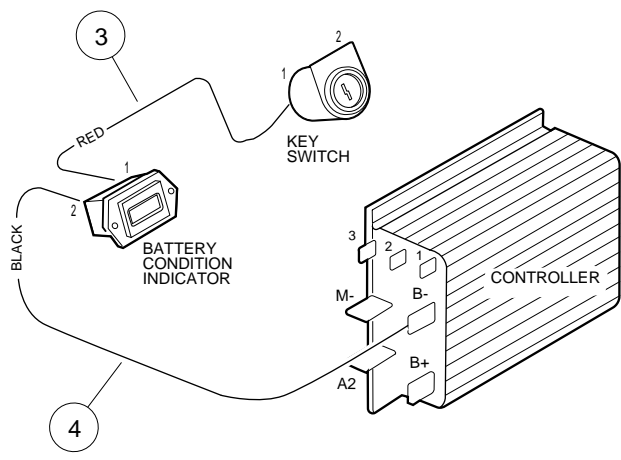
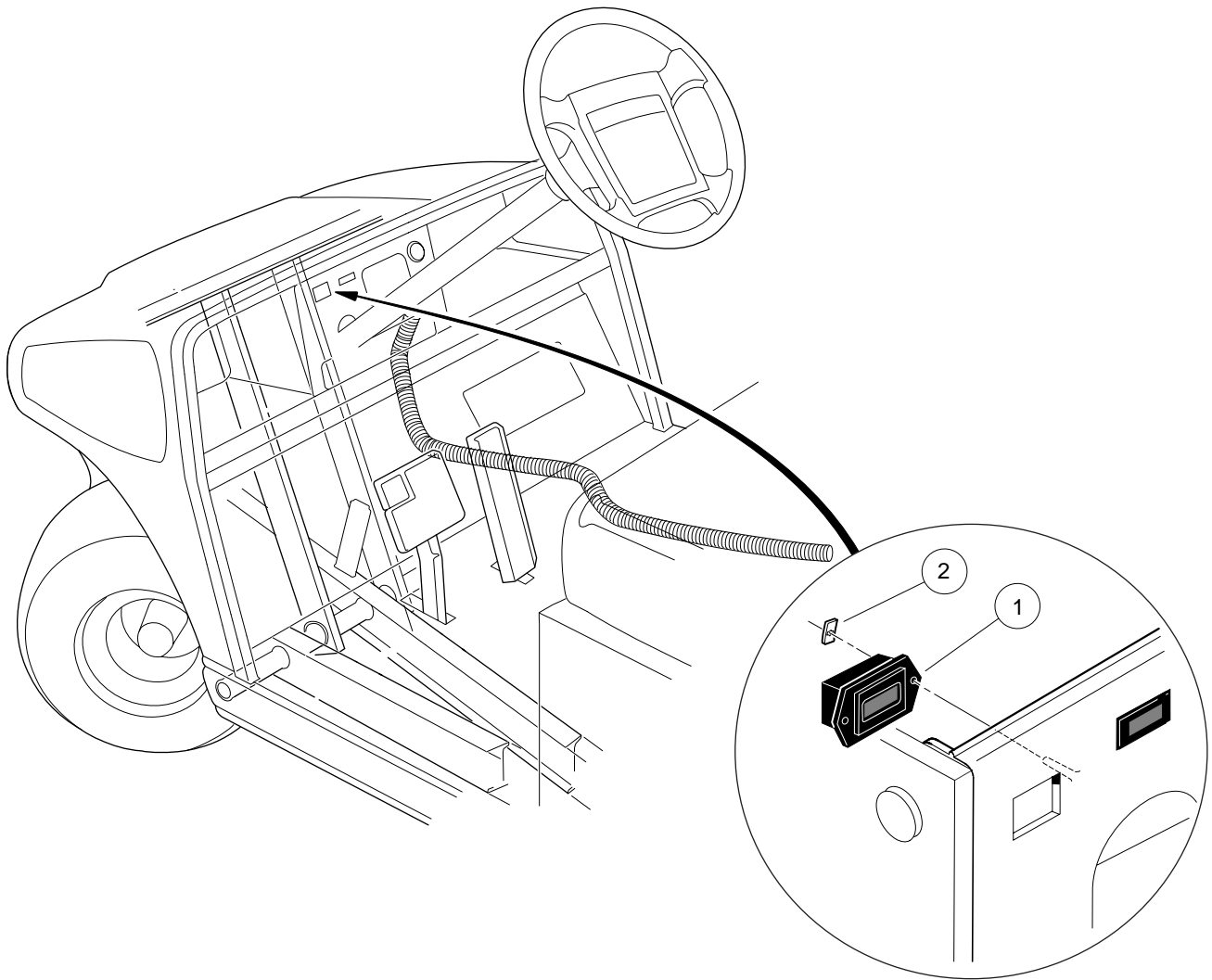
5
G
E



HOUR METER - GASOLINE VEHICLE

ITEM	PART NO.	DESCRIPTION	QTY GAS	QTY ELEC
		1 2 3 4		
	1013578	KIT, HOUR METER (INCLUDES ITEMS 1 - 9)	1	
1	1016877	HOUR METER	1	
2	1013547	BRACKET, HOUR METER	1	
3	1016862	HARDWARE, MOUNTING (INCLUDES ITEMS 4 - 6)	1	
4	N/A	SCREW, ROUND HEAD, #6 - 32 x 1/2	3	
5	N/A	WASHER, LOCK, #6	3	
6	N/A	NUT, HEX, #6 - 32	3	
7	1012285	SCREW, HEX HEAD THREAD ROLLING, 1/4 - 20 x 5/8	1	
8	N/A	WIRE ASSEMBLY, #18 RED	1	
9	N/A	WIRE ASSEMBLY, #18 BLACK	1	

5
G
E



BATTERY INDICATOR POWERDRIVE ELECTRIC CARRYALL I, CARRYALL II

ITEM	PART NO.	DESCRIPTION	QTY GAS	QTY ELEC
		1 2 3 4		
	1018156-01	KIT, BATTERY INDICATOR (INCLUDES ITEMS 1 - 4)		1
1	1018142-01	INDICATOR, BATTERY, 48 VOLT		1
2	1018147-01	RETAINER, PUSH-ON		2
3	N/A	WIRE ASSEMBLY, #18 RED		1
4	N/A	WIRE ASSEMBLY, #18 BLACK		1

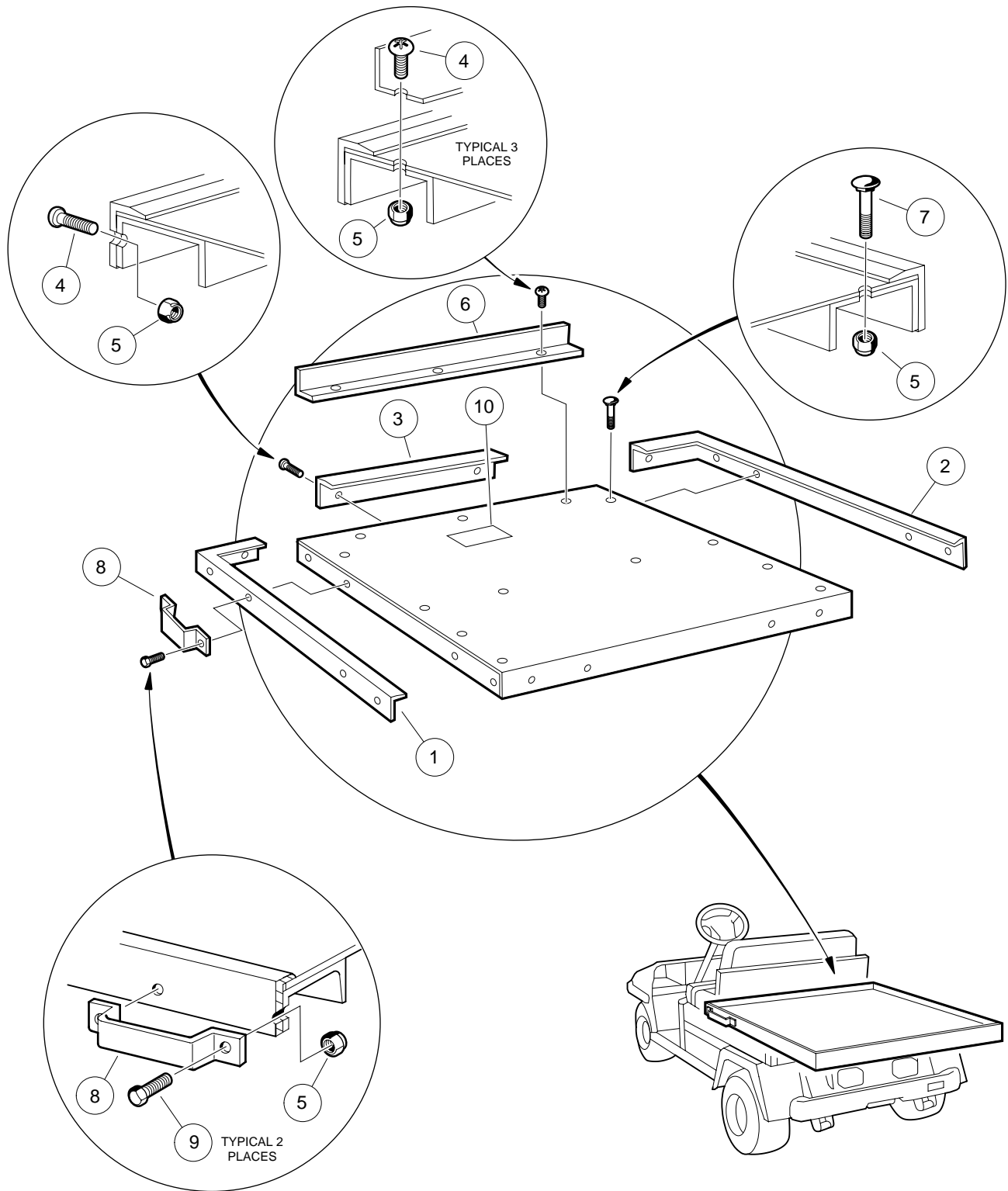
5
G
E

CARGO BED ACCESSORY AND ENCLOSURE KITS

6

G

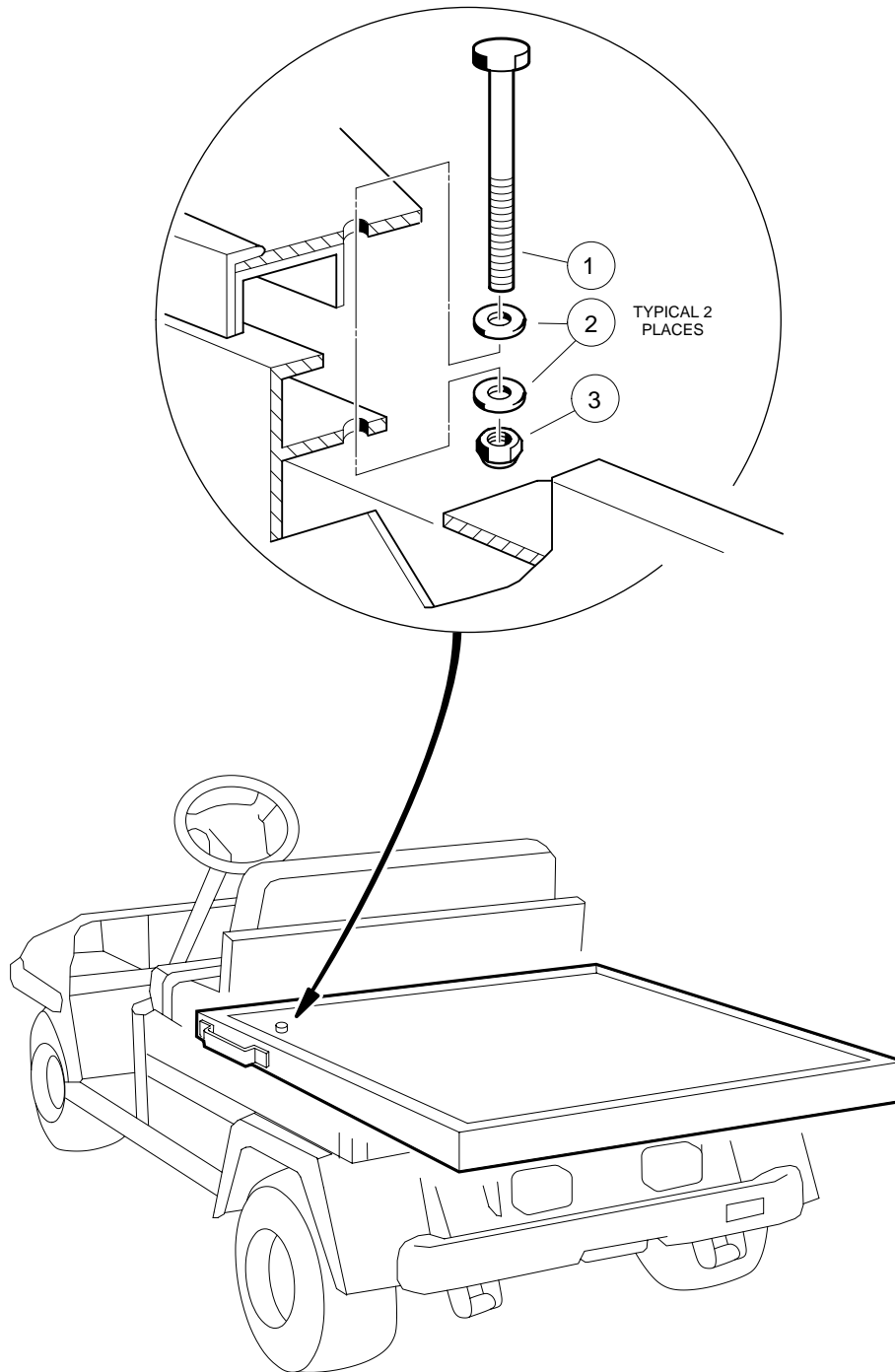
E



FLAT BED TRIM - CARRYALL I, II, AND II PLUS

ITEM	PART NO.	DESCRIPTION	QTY GAS	QTY ELEC
		1 2 3 4		
	1015684	KIT, FLAT BED TRIM - CARRYALL I (INCLUDES ITEMS 1 - 10)	1	1
	1015688	KIT, FLAT BED TRIM - CARRYALL II (INCLUDES ITEMS 1 - 10)	1	1
1	1015477	TRIM, SIDE - LEFT HAND (CARRYALL I)	1	1
1	1015479	TRIM, SIDE - LEFT HAND (CARRYALL II AND CARRYALL II PLUS)	1	1
2	1015478	TRIM, SIDE - RIGHT HAND (CARRYALL I)	1	1
2	1015480	TRIM, SIDE - RIGHT HAND (CARRYALL II AND CARRYALL II PLUS)	1	1
3	1015481	TRIM, FRONT	1	1
4	1015399	SCREW, TORX TRUSS HEAD, 5/16 - 18 x 3/4 (QTY. 13 FOR CARRYALL I)	17	17
5	0007473	NUT, NYLON LOCK, 5/16 - 18 (QTY. 23 FOR CARRYALL I)	29	29
6	1015646	GUARD, FRONT ANGLE (CARRYALL I)	1	1
6	1015647	GUARD, FRONT ANGLE (CARRYALL II AND CARRYALL II PLUS)	1	1
7	1010435	BOLT, CARRIAGE, 5/16 - 18 x 1 (QTY. 8 FOR CARRYALL I)	10	10
8	1016077	BRACKET, STAKE SIDE	1	1
9	1010934	SCREW, HEX HEAD, 5/16 - 18 x 1	2	2
10	1015539	DECAL, BED LOAD	1	1

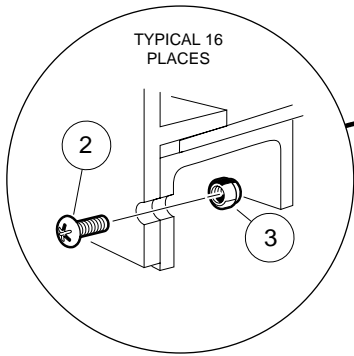
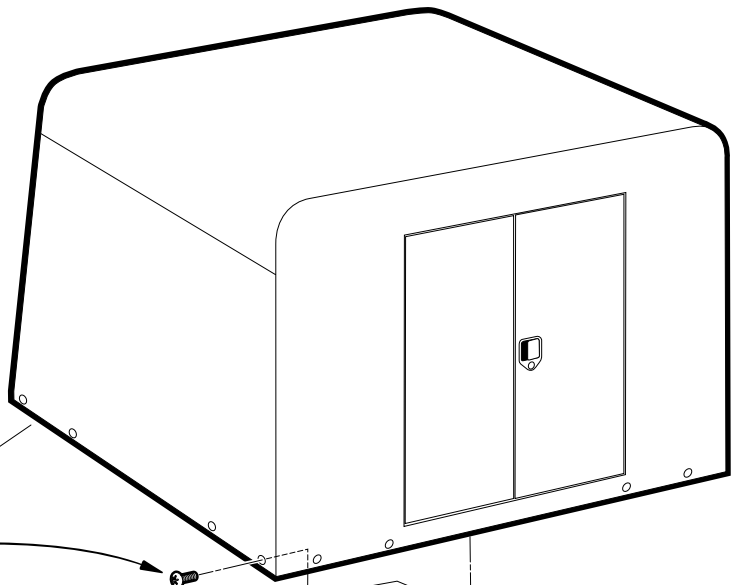
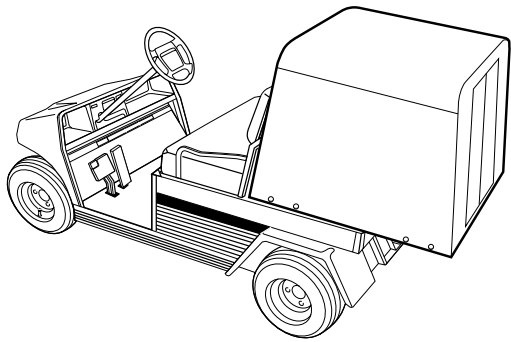
6
G
E



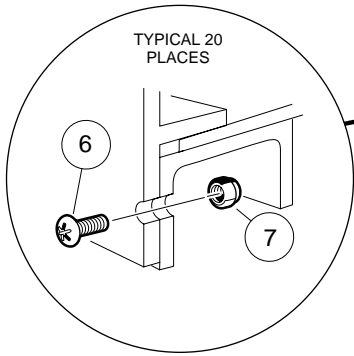
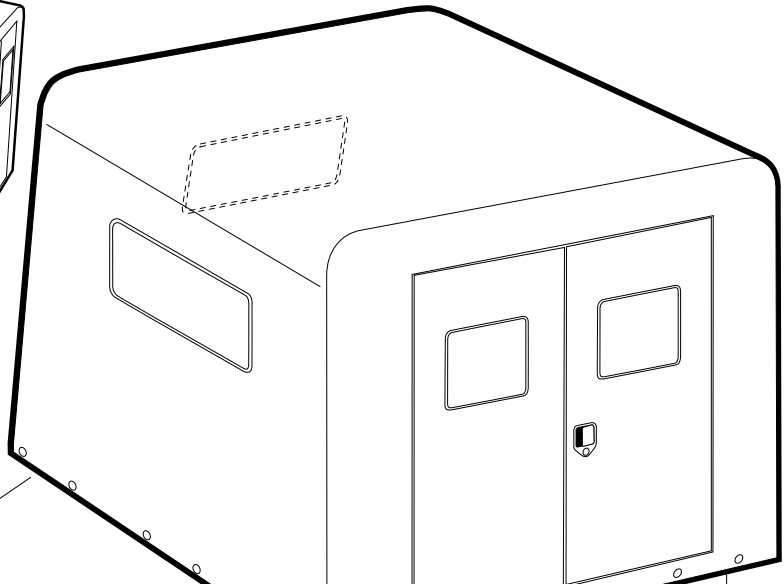
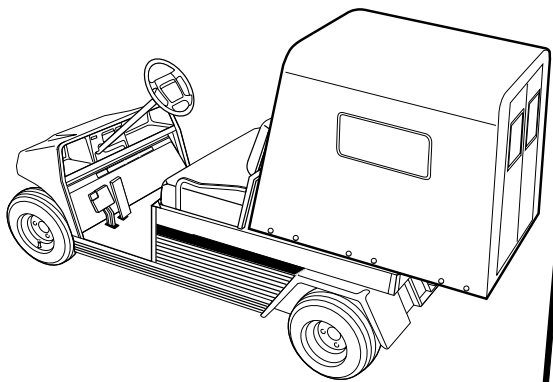
FLAT BED HOLD-DOWN CARRYALL I, II AND II PLUS

ITEM	PART NO.	DESCRIPTION	QTY GAS	QTY ELEC
		1 2 3 4		
1	1013872	SCREW, HEX HEAD CAP, 1/4 - 20 x 4	2	2
2	0000332	WASHER, FLAT, 1/4	4	4
3	0008233	NUT, NYLON LOCK, 1/4 - 20	2	2

6
G
E



VEHICLE
FLATBED

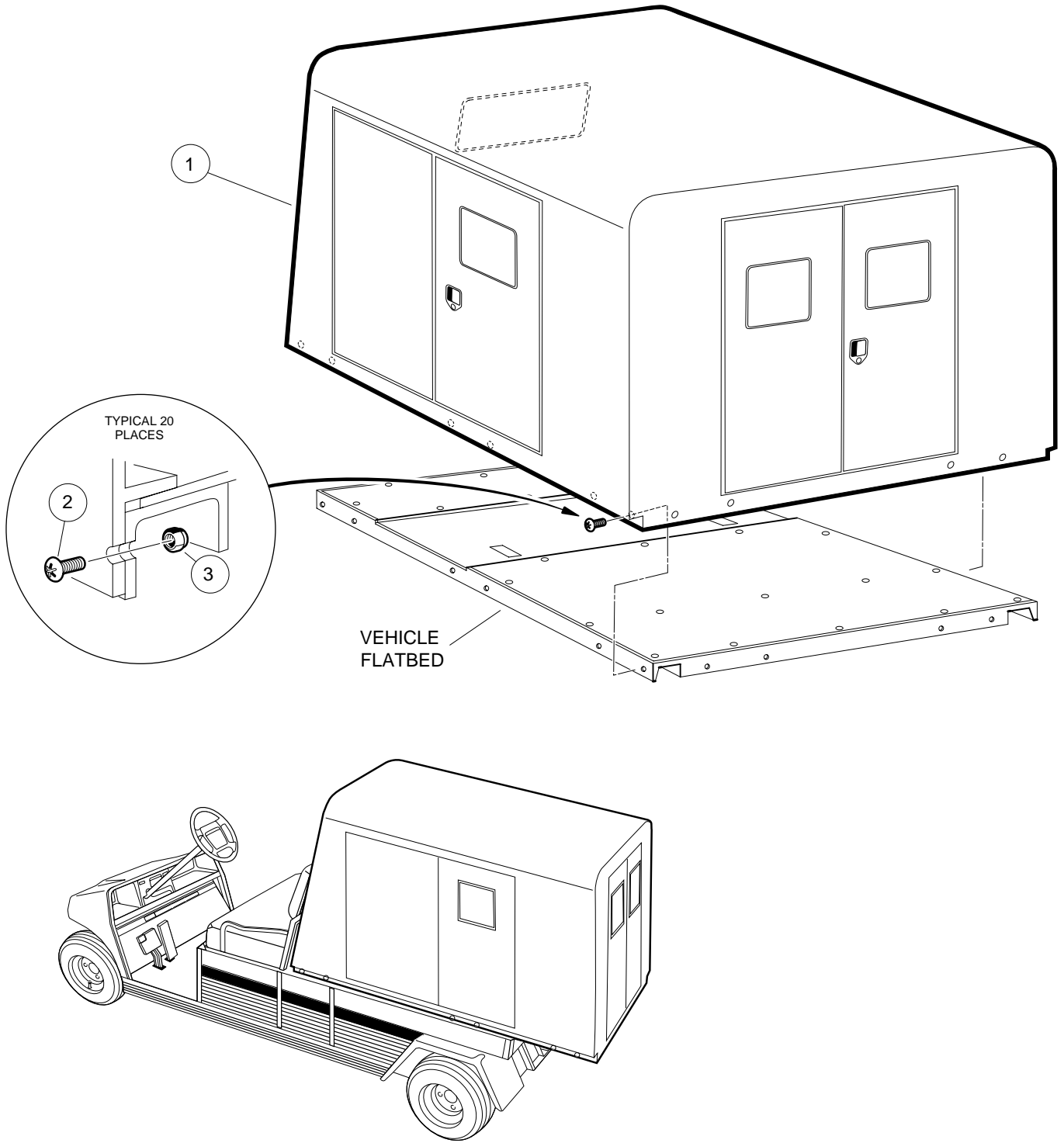


VEHICLE
FLATBED

CUSTOM VAN BOX - CARRYALL I, II AND II PLUS

ITEM	PART NO.	DESCRIPTION	QTY GAS	QTY ELEC
		1 2 3 4		
1	1017542-03	KIT, VAN BOX, CUSTOM - GRAY (CARRYALL I)	1	1
1	1017542-06	KIT, VAN BOX, CUSTOM - WHITE (CARRYALL I)	1	1
2	1015399	SCREW, TORX TRUSS HEAD, 5/16 - 18 x 3/4 (CARRYALL I)	16	16
3	0007473	NUT, NYLON LOCK, 5/16 - 18 (CARRYALL I)	16	16
4	1017702-03	MAT, BED (CARRYALL I)	1	1
5	1017542-01	KIT, VAN BOX, CUSTOM - GRAY (CARRYALL II AND II PLUS)	1	1
5	1017542-04	KIT, VAN BOX, CUSTOM - WHITE (CARRYALL II AND II PLUS)	1	1
6	1015399	SCREW, TORX TRUSS HEAD, 5/16 - 18 x 3/4 (CARRYALL II AND II PLUS)	20	20
7	0007473	NUT, NYLON LOCK, 5/16 - 18 (CARRYALL II AND II PLUS)	20	20
8	1017702-02	MAT, BED (CARRYALL II AND II PLUS)	1	1

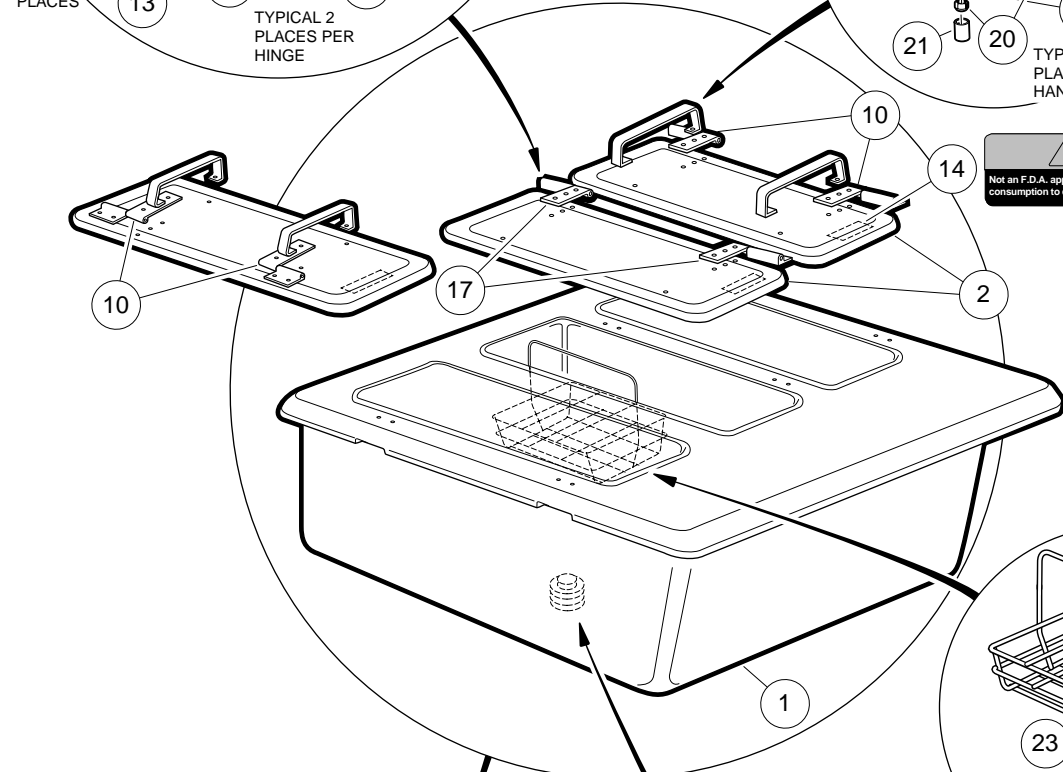
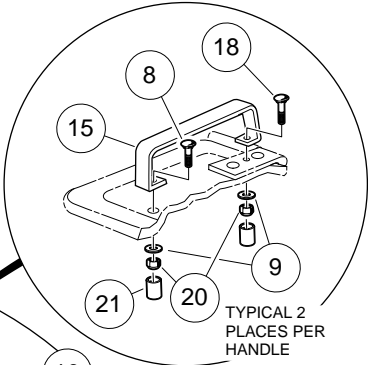
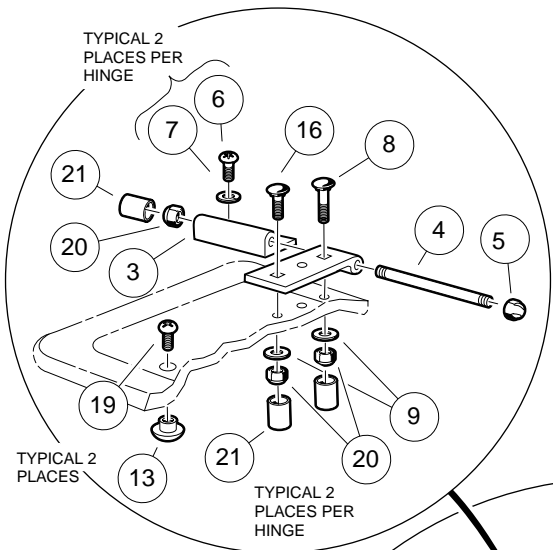
6
G
E



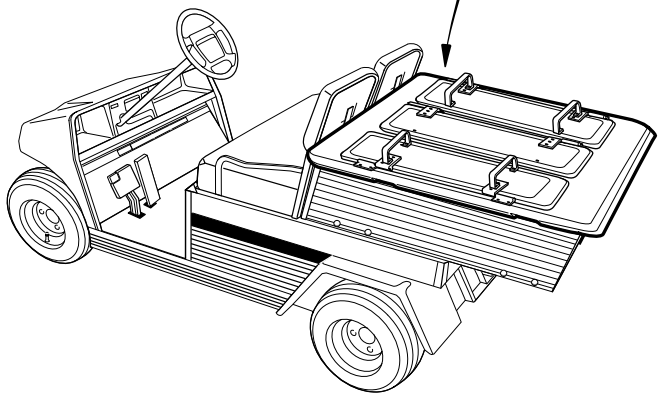
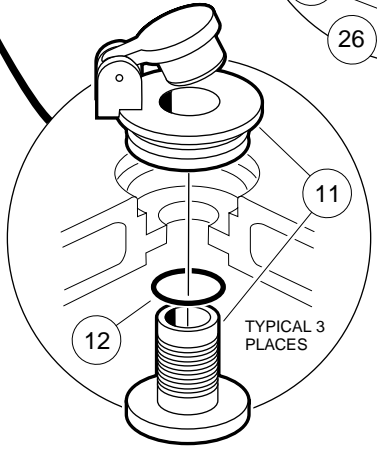
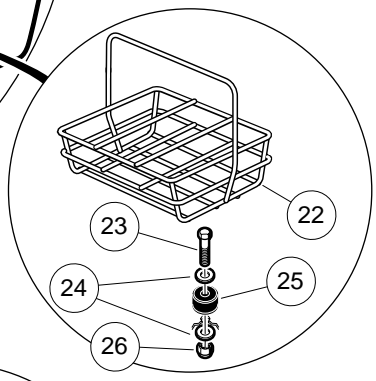
CUSTOM VAN BOX - CARRYALL VI

ITEM	PART NO.	DESCRIPTION	QTY GAS	QTY ELEC
		1 2 3 4		
1	1017542-02	KIT, VAN BOX, CUSTOM - GRAY (CARRYALL VI)	1	1
1	1017542-05	KIT, VAN BOX, CUSTOM - WHITE (CARRYALL VI)	1	1
2	1015399	SCREW, TORX TRUSS HEAD, 5/16 - 18 x 3/4	20	20
3	0007473	NUT, NYLON LOCK, 5/16 - 18	20	20

6
G
E



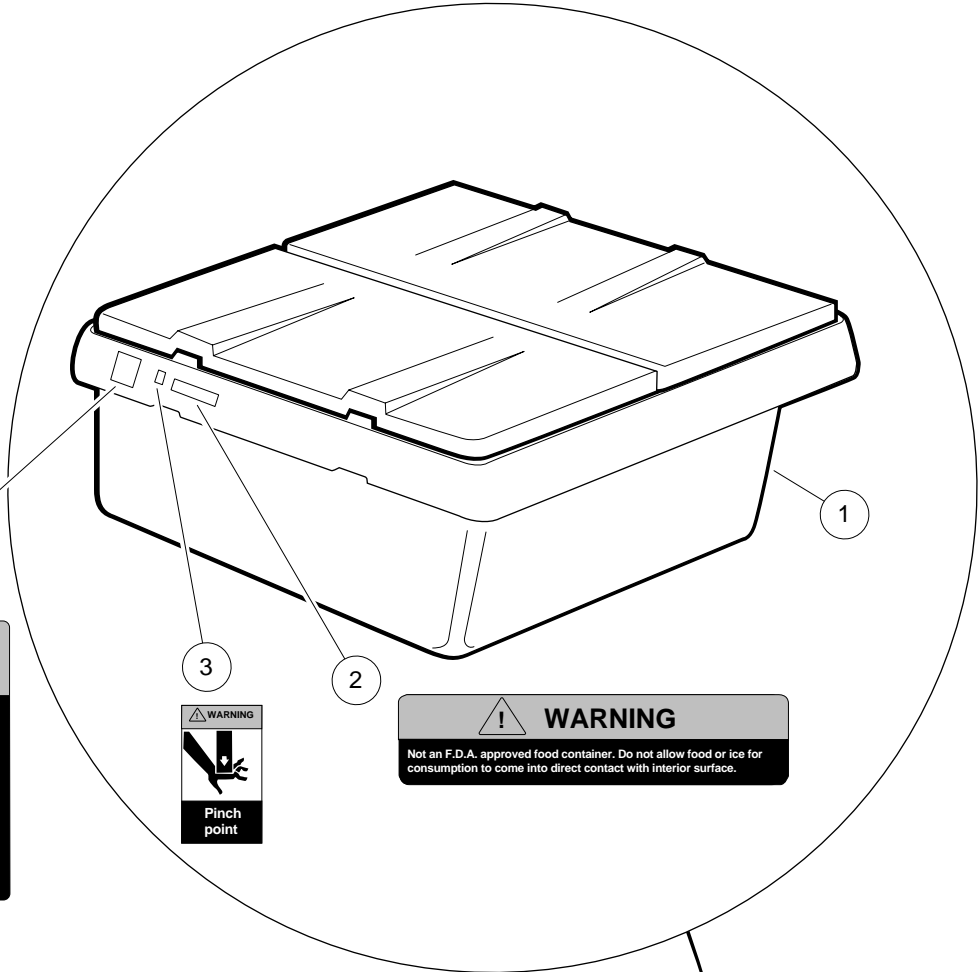
WARNING
 Not an F.D.A. approved food container. Do not allow food or ice for consumption to come into direct contact with interior surface.



PORTABLE REFRESHMENT CENTER - CARRYALL I

ITEM	PART NO.	DESCRIPTION	QTY GAS	QTY ELEC
		1 2 3 4 TO INSTALL THIS KIT, VEHICLE MUST BE EQUIPPED WITH A CARGO BOX KIT.		
1	1014556	REFRESHMENT CENTER, PORTABLE - CARRYALL I (INCLUDES ITEMS 1 - 21)	1	1
2	1014517	DOOR	3	3
3	1014521	HINGE, DOOR	6	6
4	1014548	ROD, HINGE	6	6
5	1015091	NUT, CAP, 1/4 - 20	6	6
6	1014415	SCREW, TORX TRUSS HEAD, 1/4 - 20 x 3/4	12	12
7	1011965	WASHER, LOCK, 1/4	12	12
8	1011963	BOLT, CARRIAGE, 1/4 - 20 x 1	10	10
9	1011964	WASHER, FLAT, 1/4	20	20
10	1014944	HINGE, SIDE DOOR	4	4
11	1011972	PLUG, DRAIN HOLE	3	3
12	1019181-01	O-RING	3	3
13	1011878	NUT, CAPPED TEE	2	2
14	1011962	DECAL, WARNING, F.D.A.	3	3
15	1014942	HANDLE	4	4
16	1014943	BOLT, CARRIAGE, 1/4 - 20 x 1 1/4	6	6
17	1014559	HINGE, CENTER DOOR	2	2
18	1015148	BOLT, CARRIAGE, 1/4 - 20 x 1 3/4	4	4
19	0008251	SCREW, PHILLIPS TRUSS HEAD, 1/4 - 20 x 1	2	2
20	1015068	NUT, NYLON LOCK, STAINLESS STEEL, 1/4 - 20	26	26
21	1018856-01	CAP	26	26
22	1015171	BOTTLE SEPARATOR KIT (INCLUDES ITEMS 23 - 26)	1	1
23	1015071	SCREW, HEX HEAD CAP, 5/16 - 18 x 1 1/4	1	1
24	1015077	WASHER, FLAT, 5/16	2	2
25	1010142	CUSHION	1	1
26	1015072	NUT, NYLON LOCK, 5/16 - 18	1	1

6
G
E

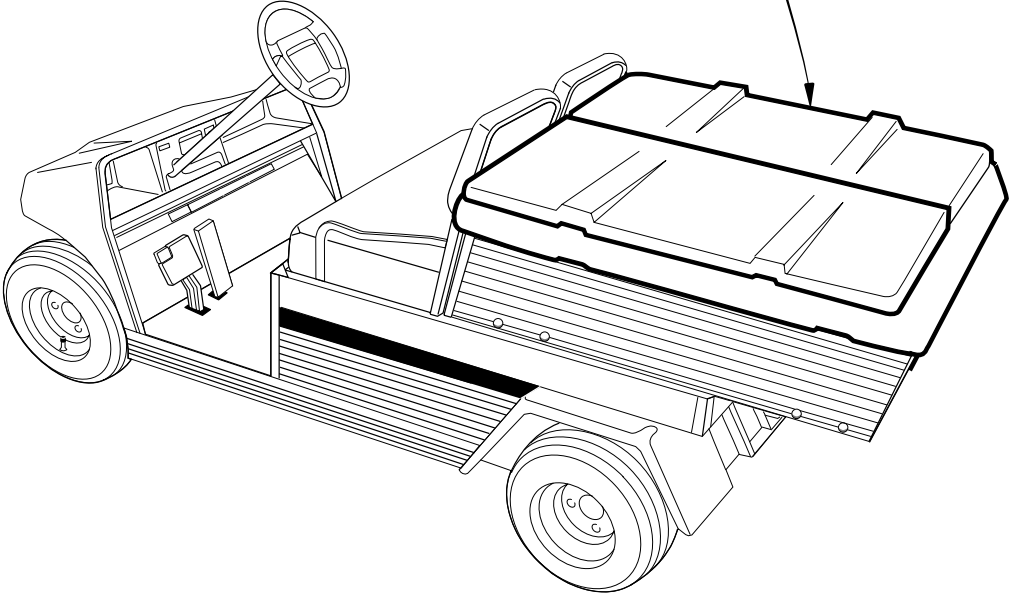


WARNING
Failure to follow these instructions
 can cause severe injury or death.

- Do not exceed vehicle load capacity posted on vehicle dash.
- Operate vehicle from driver's seat only.
- Avoid loading one side of refreshment center more than the other side. Uneven loads may affect the handling, steering, and braking of the vehicle.
- All refreshment center doors should be securely closed while vehicle is in motion.



WARNING
 Not an F.D.A. approved food container. Do not allow food or ice for consumption to come into direct contact with interior surface.



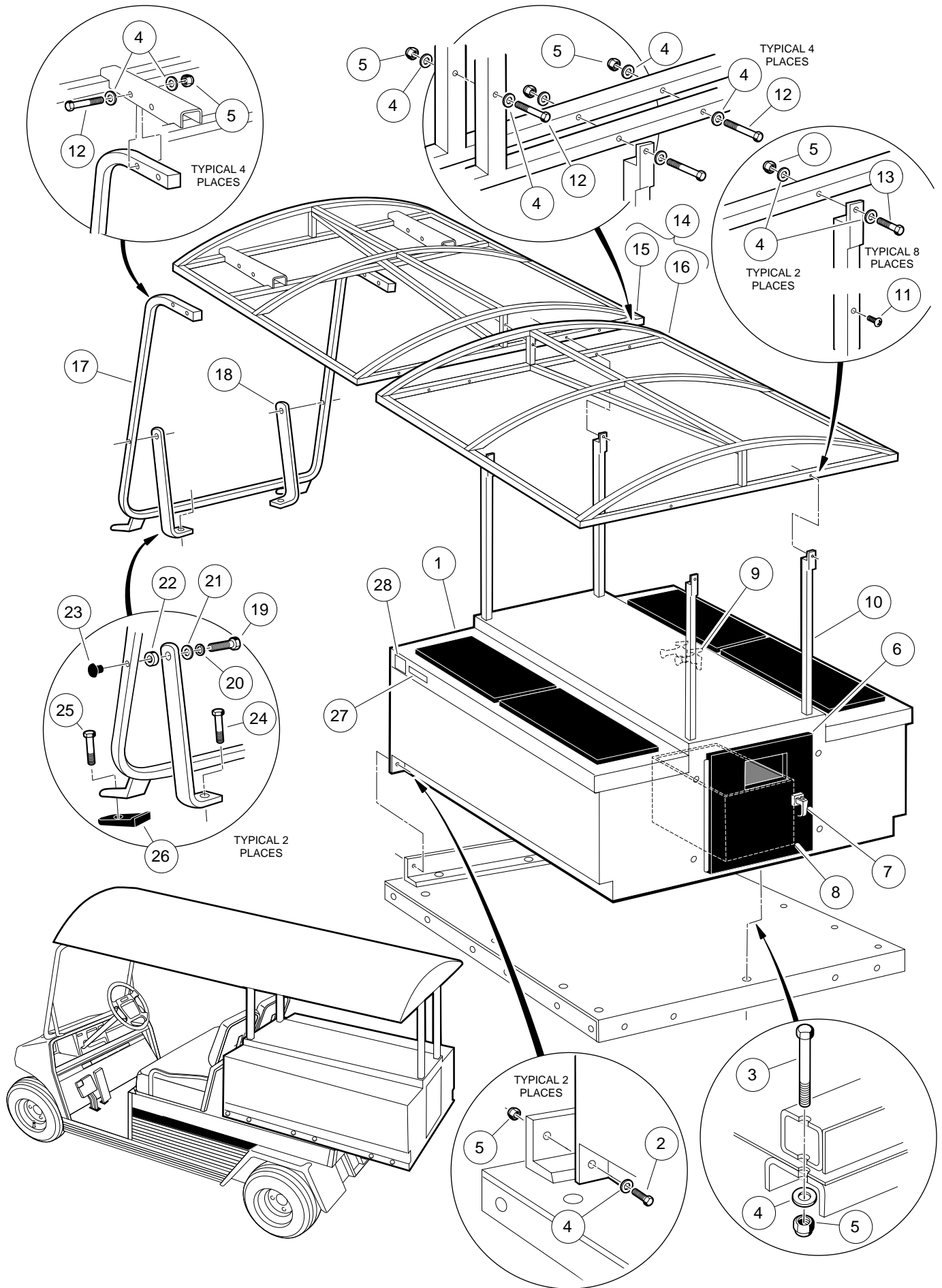
PORTABLE REFRESHMENT CENTER - CARRYALL II

ITEM	PART NO.	DESCRIPTION	QTY GAS	QTY ELEC
		1 2 3 4 TO INSTALL THIS KIT, VEHICLE MUST BE EQUIPPED WITH A CARGO BOX KIT.		
1	1019491-01	REFRESHMENT CENTER, PORTABLE CARRYALL II (INCLUDES ITEMS 2 - 4)	1	1
2	1011962	DECAL, WARNING, F.D.A.	2	2
3	1016094	DECAL, WARNING - PINCH POINT	2	2
4	1019401-01	DECAL, WARNING	2	2

6

G

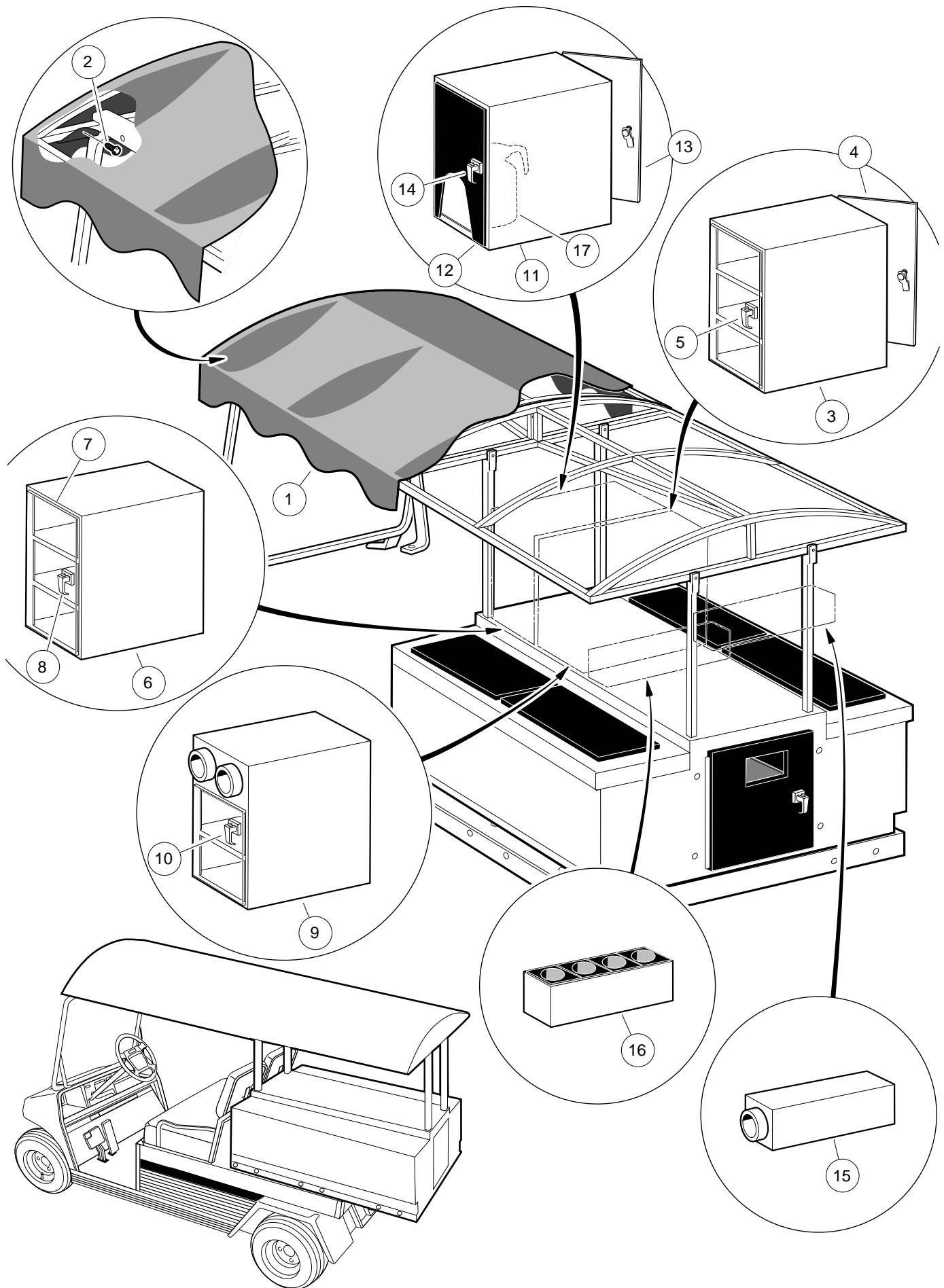
E



19TH HOLE REFRESHMENT CENTER CARRYALL II WITH FLAT BED

ITEM	PART NO.	DESCRIPTION	QTY GAS	QTY ELEC
		1 2 3 4		
1	1017014	REFRESHMENT, CENTER (INCLUDES ITEMS 2 - 28)	1	1
2	1011963	SCREW, HEX HEAD CAP, 1/4 - 20 x 1	2	2
3	0000343	SCREW, HEX HEAD CAP, 1/4 - 20 x 3	1	1
4	0000332	WASHER, FLAT, 1/4	25	25
5	0008233	NUT, HEX, 1/4 - 20	14	14
6	1018788-01	DOOR, TRASH COMPARTMENT	1	1
6	1018788-02	DOOR, TRASH COMPARTMENT (WITH HOLE)	1	1
7	1018788-03	LATCH, DOOR	1	1
8	1018788-04	BIN, TRASH	1	1
9	1018788-15	SPIGOT, DRAIN	2	2
10	1018788-14	UPRIGHT, CANOPY	4	4
11	0008248	SCREW, PHILLIPS TRUSS HEAD, 1/4 - 20 x 3/4	8	8
12	1014189	SCREW, HEX HEAD CAP, 1/4 - 20 x 2	9	9
13	0007479	SCREW, HEX HEAD CAP, 1/4 - 20 x 1 1/4	2	2
14	1018788-05	FRAME, CANOPY, FRONT AND REAR (INCLUDES ITEMS 15 AND 16)	1	1
15	1018788-06	FRAME, CANOPY, FRONT	1	1
16	1018788-07	FRAME, CANOPY, REAR	1	1
17	1011868	FRAME, WINDSHIELD	1	1
18	N/A	BRACE, KNEE	2	2
19	0001703	SCREW, HEX HEAD CAP, 1/4 - 20 x 1 1/2	2	2
20	1011965	WASHER, LOCK, 1/4	2	2
21	1011964	WASHER, FLAT, 1/4.....	2	2
22	1010237	BUSHING	2	2
23	1011878	NUT, CAPPED TEE	2	2
24	0001218	BOLT, HEX HEAD, 5/16 - 18 x 1 1/4	2	2
25	1011937	BOLT, HEX HEAD, WITH NYLON PATCH, 5/16 - 18 x 1 1/4	2	2
26	1011883	PAD, WINDSHIELD MOUNTING	2	2
27	1011962	DECAL, WARNING, F.D.A.	2	2
28	1019401-01	DECAL, WARNING	2	2

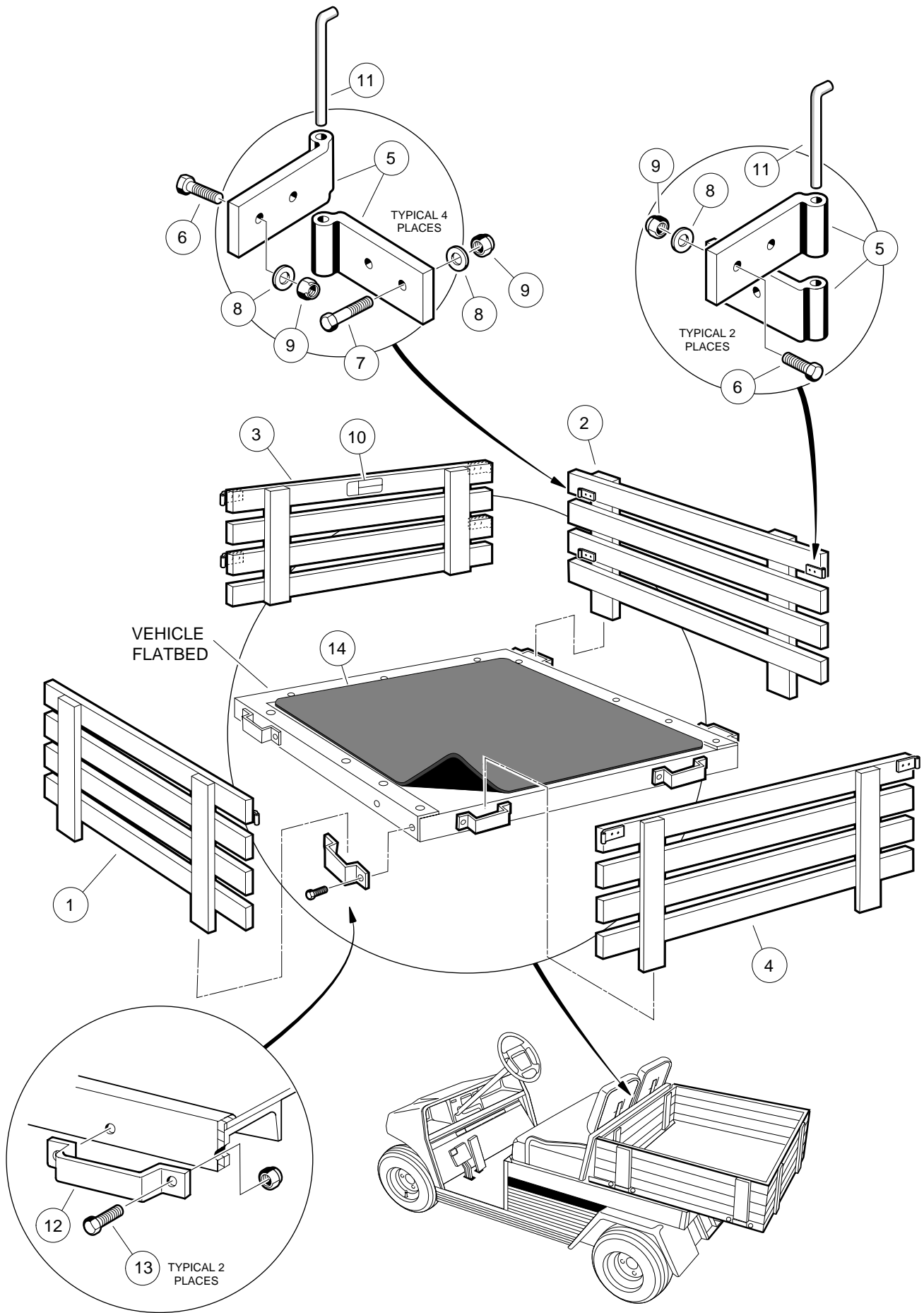
6
G
E



OPTIONAL COMPONENTS FOR 19TH HOLE REFRESHMENT CENTER

ITEM	PART NO.	DESCRIPTION	QTY GAS	QTY ELEC
		1 2 3 4		
1	1017015-01	COVER, CANOPY - FOREST GREEN (INCLUDES ITEM 2)	1	1
1	1017015-02	COVER, CANOPY - PACIFIC BLUE (INCLUDES ITEM 2)	1	1
1	1017015-03	COVER, CANOPY - GREEN AND WHITE STRIPE (INCLUDES ITEM 2)	1	1
1	1017015-04	COVER, CANOPY - BLUE AND WHITE STRIPE (INCLUDES ITEM 2)	1	1
2	N/A	SCREW, HI-LO, #10 x 1/2	40	40
3	1017247	SHELF, SNACK (INCLUDES ITEMS 4 AND 5)	1	1
4	1018788-11	DOOR, SNACK SHELF	2	2
5	1018788-12	LATCH, DOOR	2	2
6	1019499-01	DISPENSER, SNACK AND BEVERAGE (INCLUDES ITEMS 7 AND 8)	1	1
7	1018788-11	DOOR, SNACK SHELF	1	1
8	1018788-12	LATCH, DOOR	1	1
9	1019498-01	DISPENSER, CUP, SNACK, AND BEVERAGE (INCLUDES ITEM 10)	1	1
10	1018788-12	LATCH, DOOR	1	1
11	1017248	DISPENSER, BEVERAGE (INCLUDES ITEMS 12 - 14)	1	1
12	1018788-10	DOOR, BEVERAGE DISPENSER	1	1
13	1018788-11	DOOR, SNACK SHELF	1	1
14	1018788-12	LATCH, DOOR	2	2
15	1017017	DISPENSER, CUP	1	1
16	1017018	CADDY, BOTTLE	1	1
17	1018788-16	COFFEE POT	1	1

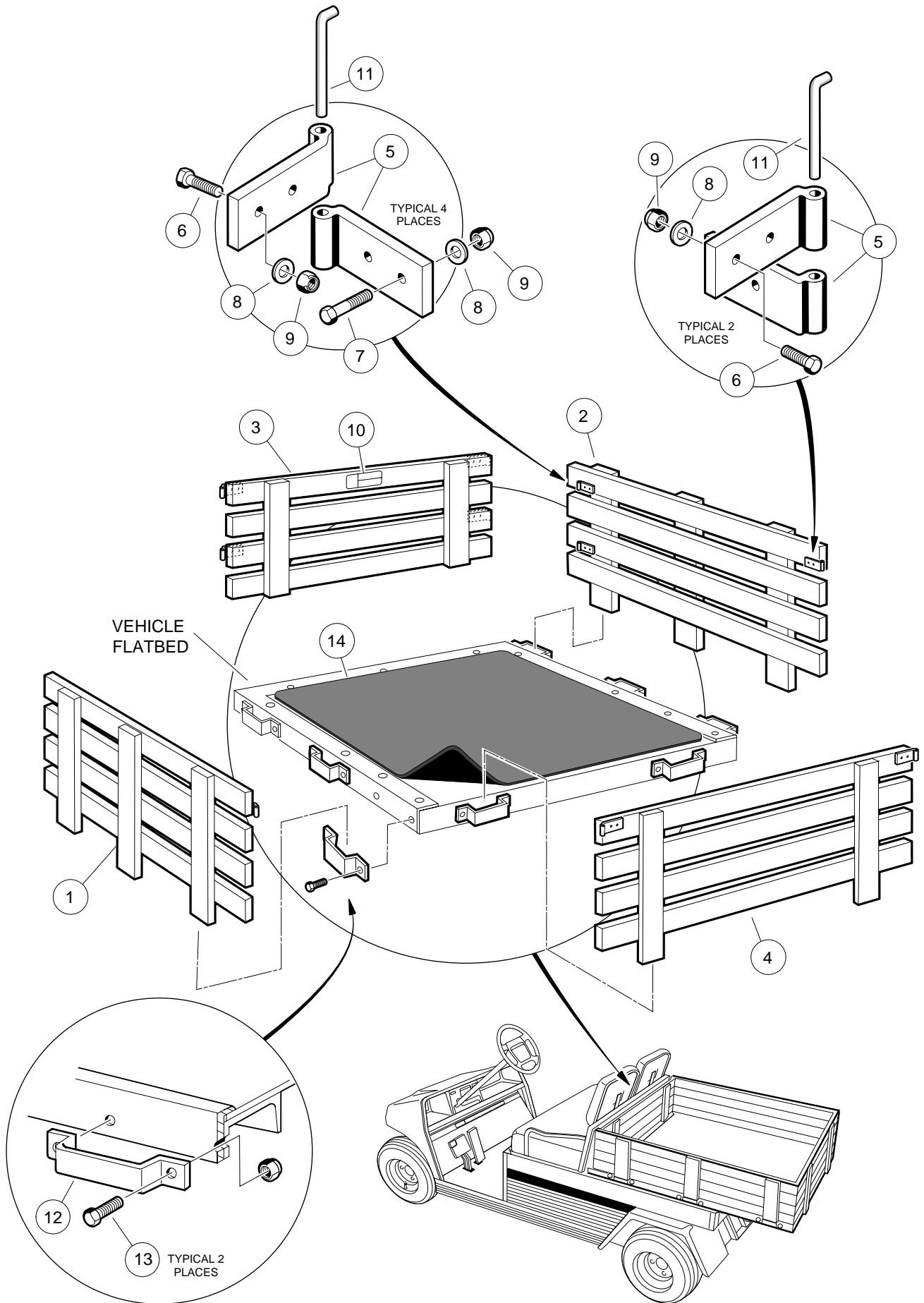
6
G
E



STAKE SIDE KIT - CARRYALL I WITH FLAT BED

ITEM	PART NO.	DESCRIPTION	QTY GAS	QTY ELEC
		1 2 3 4 TO INSTALL THIS KIT, VEHICLE MUST BE EQUIPPED WITH A FLAT BED TRIM KIT.		
	1015660	KIT, STAKE SIDE (INCLUDES ITEMS 1 - 13)	1	1
1	N/A	STAKE SIDE ASSEMBLY, DRIVER SIDE (INCLUDES ITEMS 5 - 9)	1	1
2	N/A	STAKE SIDE ASSEMBLY, PASSENGER SIDE (INCLUDES ITEMS 5 - 9).....	1	1
3	N/A	STAKE SIDE ASSEMBLY, FRONT (INCLUDES ITEMS 5 - 9).....	1	1
4	N/A	STAKE SIDE ASSEMBLY, REAR (INCLUDES ITEMS 5 - 10)	1	1
5	1015654	HINGE, STAKE SIDE	12	12
6	0007479	SCREW, HEX HEAD CAP, 1/4 - 20 x 1 1/4	18	18
7	0007311	SCREW, HEX HEAD CAP, 1/4 - 20 x 2	6	6
8	0000332	WASHER, FLAT, 1/4	24	24
9	0001108	NUT, DIMPED LOCK, 1/4 - 20	24	24
10	1015539	DECAL, BED LOAD	1	1
11	1015656	PIN, STAKE SIDE HINGE	6	6
12	1016077	BRACKET, STAKE SIDE	5	5
13	1010934	SCREW, HEX HEAD, 5/16 - 18 x 1	10	10
14	1017702-03	MAT, BED	1	1

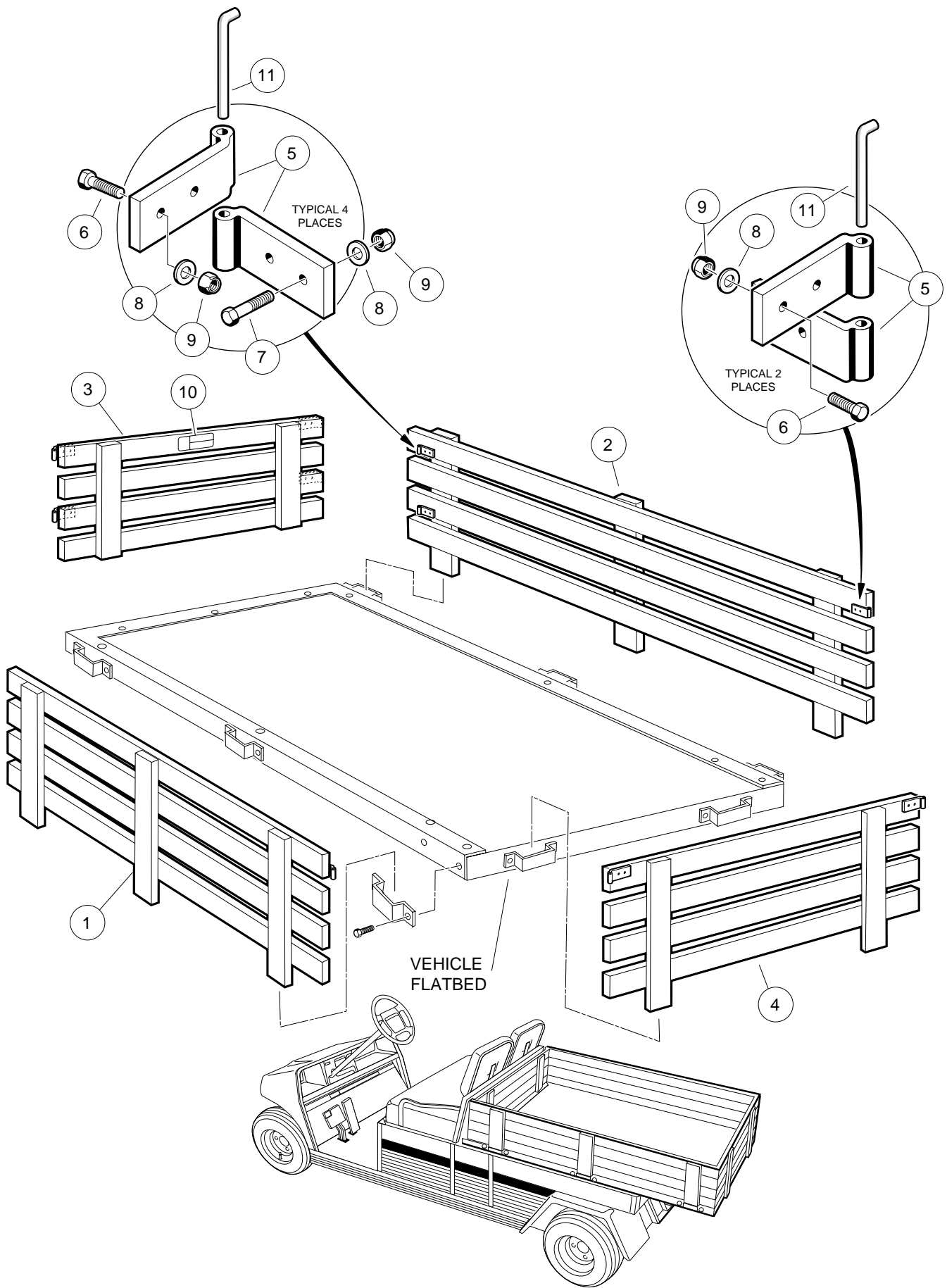
6
G
E



STAKE SIDE KIT CARRYALL II AND II PLUS WITH FLAT BED

ITEM	PART NO.	DESCRIPTION	QTY GAS	QTY ELEC
		1 2 3 4 TO INSTALL THIS KIT, VEHICLE MUST BE EQUIPPED WITH A FLAT BED TRIM KIT.		
	1015662	KIT, STAKE SIDE (INCLUDES ITEMS 1 - 13)	1	1
1	N/A	STAKE SIDE ASSEMBLY, DRIVER SIDE (INCLUDES ITEMS 5 - 9)	1	1
2	N/A	STAKE SIDE ASSEMBLY, PASSENGER SIDE (INCLUDES ITEMS 5 - 9).....	1	1
3	N/A	STAKE SIDE ASSEMBLY, FRONT (INCLUDES ITEMS 5 - 9).....	1	1
4	N/A	STAKE SIDE ASSEMBLY, REAR (INCLUDES ITEMS 5 - 10)	1	1
5	1015654	HINGE, STAKE SIDE	12	12
6	0007479	SCREW, HEX HEAD CAP, 1/4 - 20 x 1 1/4	18	18
7	0007311	SCREW, HEX HEAD CAP, 1/4 - 20 x 2	6	6
8	0000332	WASHER, FLAT, 1/4	24	24
9	0001108	NUT, DIMPED LOCK, 1/4 - 20	24	24
10	1015539	DECAL, BED LOAD	1	1
11	1015656	PIN, STAKE SIDE HINGE	6	6
12	1016077	BRACKET, STAKE SIDE	7	7
13	1010934	SCREW, HEX HEAD, 5/16 - 18 x 1	14	14
14	1017702-02	MAT, BED	1	1

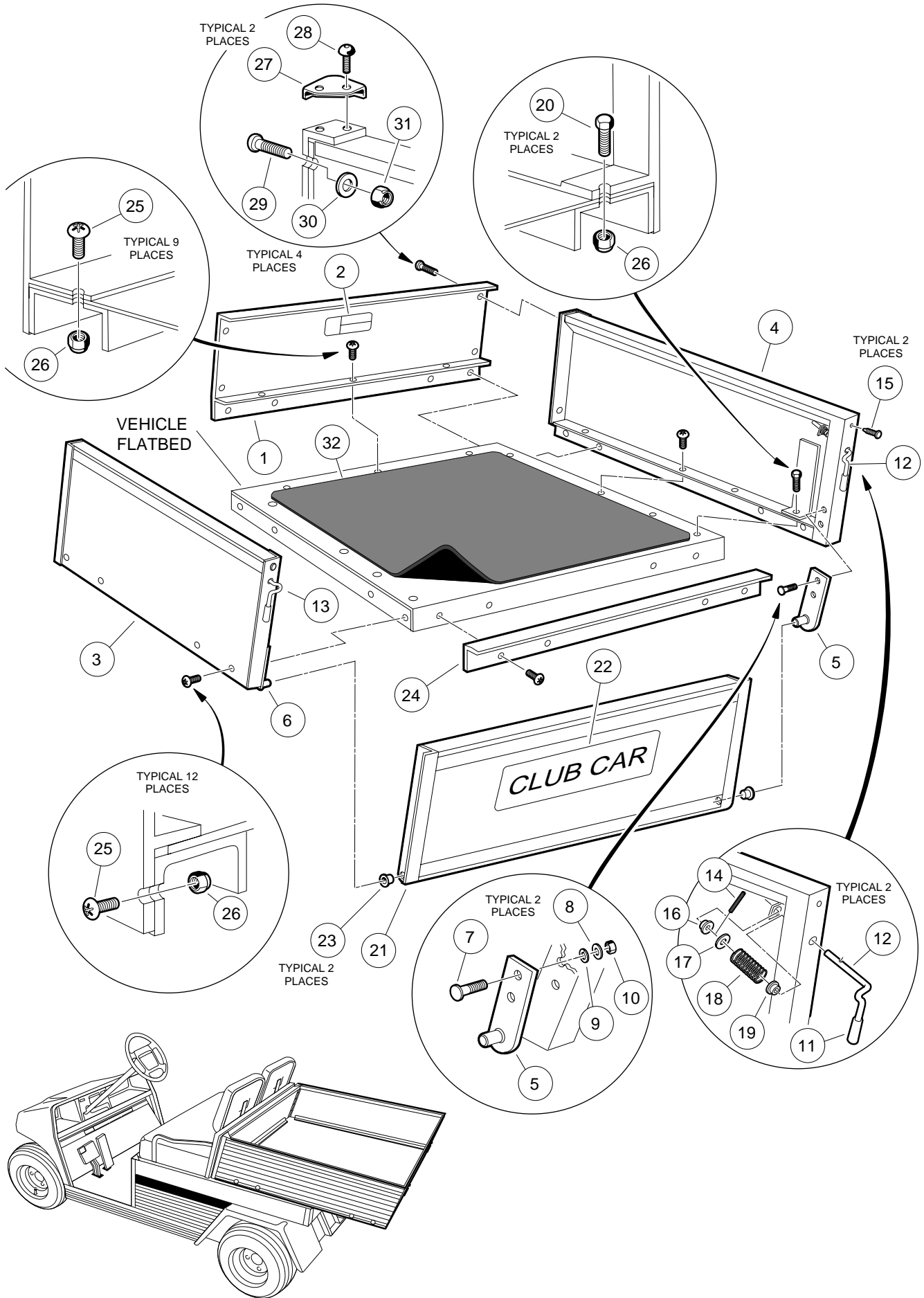
6
G
E



STAKE SIDE KIT - CARRYALL VI WITH FLAT BED

ITEM	PART NO.	DESCRIPTION	QTY GAS	QTY ELEC
		1 2 3 4 TO INSTALL THIS KIT, VEHICLE MUST BE EQUIPPED WITH A FLAT BED TRIM KIT.		
	1017117	KIT, STAKE SIDE (INCLUDES ITEMS 1 - 11)	1	1
1	N/A	STAKE SIDE ASSEMBLY, DRIVER SIDE (INCLUDES ITEMS 5 - 9)	1	1
2	N/A	STAKE SIDE ASSEMBLY, PASSENGER SIDE (INCLUDES ITEMS 5 - 9).....	1	1
3	N/A	STAKE SIDE ASSEMBLY, FRONT (INCLUDES ITEMS 5 - 9).....	1	1
4	N/A	STAKE SIDE ASSEMBLY, REAR (INCLUDES ITEMS 5 - 10)	1	1
5	1015654	HINGE, STAKE SIDE	12	12
6	0007479	SCREW, HEX HEAD CAP, 1/4 - 20 x 1 1/4	18	18
7	0007311	SCREW, HEX HEAD CAP, 1/4 - 20 x 2	6	6
8	0000332	WASHER, FLAT, 1/4	24	24
9	0001108	NUT, DIMPED LOCK, 1/4 - 20	24	24
10	1015539	DECAL, BED LOAD	1	1
11	1015656	PIN, STAKE SIDE HINGE	6	6

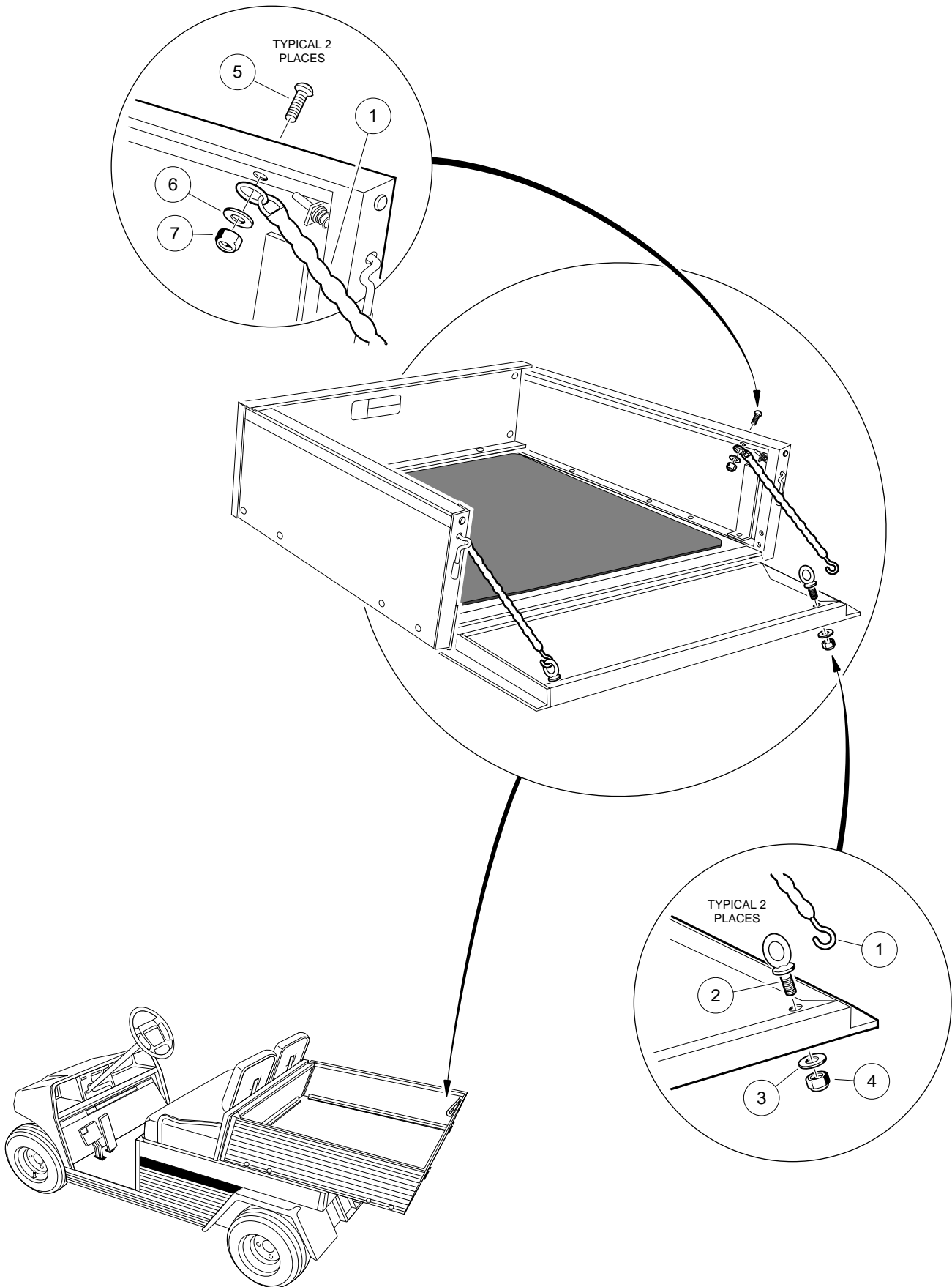
6
G
E



CARGO BOX KIT CARRYALL I, II AND II PLUS WITH FLAT BED

ITEM	PART NO.	DESCRIPTION	QTY GAS	QTY ELEC
		1 2 3 4		
	1015606	KIT, CARGO BOX (CARRYALL I) (INCLUDES ITEMS 1 - 31)	1	1
	1015607	KIT, CARGO BOX (CARRYALL II AND II PLUS) (INCLUDES ITEMS 1 - 31)	1	1
1	1015413	FRONT PANEL ASSEMBLY (CARRYALL I) (INCLUDES ITEM 2)	1	1
1	1015412	FRONT PANEL ASSEMBLY (CARRYALL II AND II PLUS) (INCLUDES ITEM 2) .	1	1
2	1015539	DECAL, BED LOAD	1	1
3	1015367	SIDE PANEL ASSEMBLY, DRIVER SIDE (CARRYALL I) (INCLUDES ITEMS 5 - 19)	1	1
3	1015368	SIDE PANEL ASSEMBLY, DRIVER SIDE (CARRYALL II AND II PLUS) (INCLUDES ITEMS 5 - 19)	1	1
4	1015365	SIDE PANEL ASSEMBLY, PASSENGER SIDE (CARRYALL I) (INCLUDES ITEMS 5 - 19)	1	1
4	1015366	SIDE PANEL ASSEMBLY, PASSENGER SIDE (CARRYALL II AND II PLUS) (INCLUDES ITEMS 5 - 19)	1	1
5	1014514	BRACKET, TAILGATE, PASSENGER SIDE	1	1
6	1014513	BRACKET, TAILGATE, DRIVER SIDE	1	1
7	1014537	STUD, FLUSH HEAD	4	4
8	0001241	WASHER, FLAT, 5/16	4	4
9	0007174	WASHER, LOCK, 5/16	4	4
10	0001242	NUT, HEX, 5/16 - 18	4	4
11	1015400	GRIP, HAND	2	2
12	1015245	LATCH, RIGHT HAND	1	1
13	1015313	LATCH, LEFT HAND	1	1
14	0001231	ROLL PIN, 1/8 x 1	2	2
15	1010434	BARREL, PLASTIC - BLACK	2	2
16	1015363	BUSHING	2	2
17	1011990	WASHER, FLAT, 3/8	2	2
18	1015390	SPRING, COMPRESSION	2	2
19	0001032	BUSHING, NYLON	2	2
20	1010934	SCREW, HEX HEAD CAP, 5/16 - 18 x 1	2	2
21	1015414	TAILGATE ASSEMBLY, (CARRYALL I) (INCLUDES ITEM 22)	1	1
21	1015424	TAILGATE ASSEMBLY, (CARRYALL II) (INCLUDES ITEM 22)	1	1
22	1013317	DECAL, LOGO	2	2
23	0007049	BUSHING, NYLON	2	2
24	1018947-01	KIT, TAILGATE ANGLE (CARRYALL I)	1	1
24	1018947-02	KIT, TAILGATE ANGLE (CARRYALL II AND II PLUS)	1	1
25	1015399	SCREW, TORX TRUSS HEAD, 5/16 - 18 x 3/4	21	21
26	0007473	NUT, NYLON LOCK, 5/16 - 18	23	23
27	1014387	CAP, CORNER	2	2
28	1014321	SCREW, TORX TRUSS HEAD, #10 - 24 x 3/8	4	4
29	1014415	SCREW, TORX TRUSS HEAD, 1/4 - 20 x 3/4	4	4
30	0000332	WASHER, FLAT, 1/4	4	4
31	0008233	NUT, NYLON LOCK, 1/4 - 20	4	4
32	1017702-03	MAT, BED (CARRYALL I)	1	1
32	1017702-02	MAT, BED (CARRYALL II AND II PLUS)	1	1

6
G
E



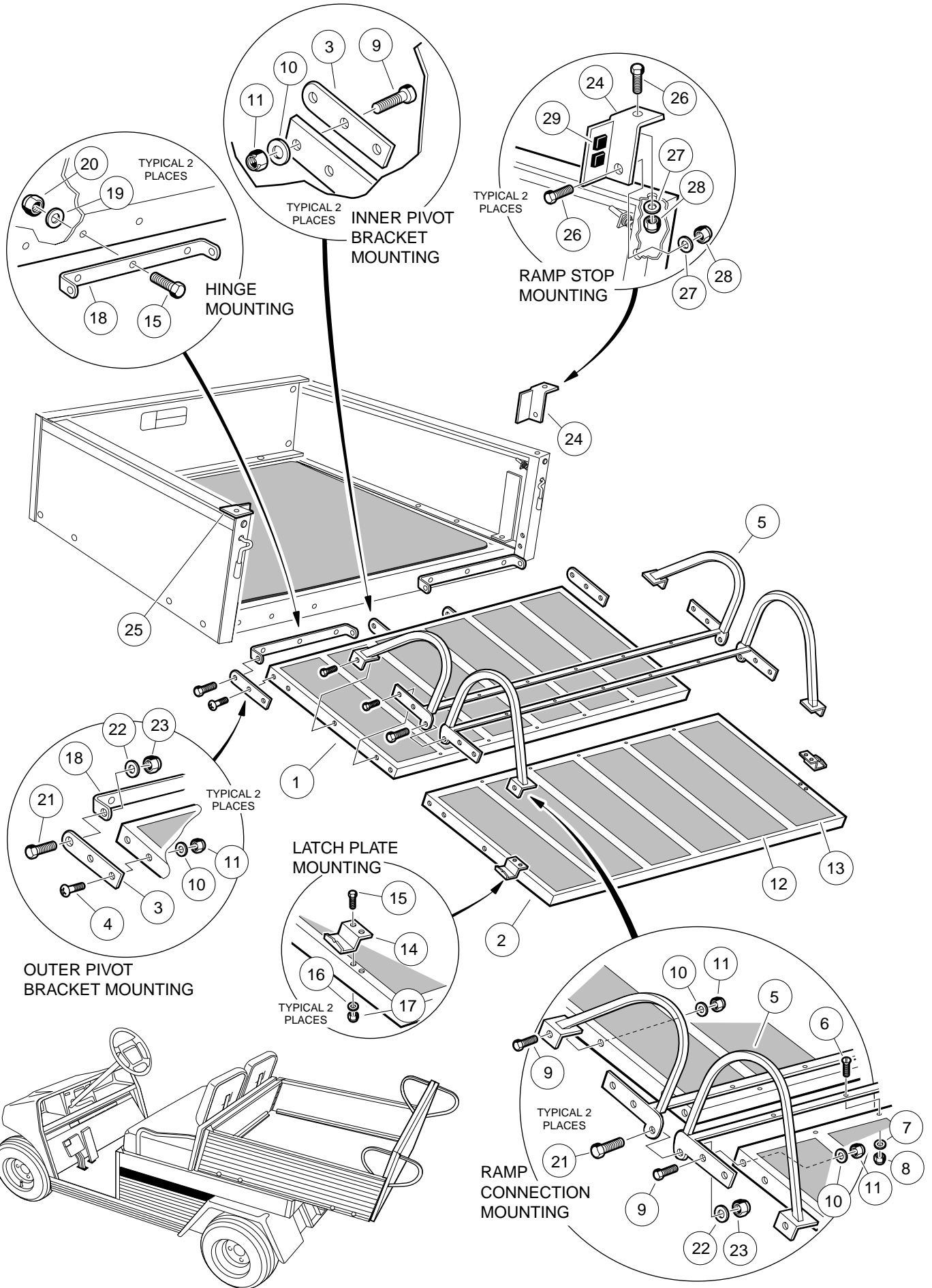
TAILGATE CHAIN KIT

ITEM	PART NO.	DESCRIPTION	QTY GAS	QTY ELEC
		1 2 3 4 TO INSTALL THIS KIT, VEHICLE MUST BE EQUIPPED WITH A CARGO BOX KIT.		
	1015764	KIT, TAILGATE CHAIN (INCLUDES ITEMS 1 - 7)	1	1
1	1014131	ASSEMBLY, CHAIN AND HOOK	2	2
2	1015762	BOLT, EYE	2	2
3	0000332	WASHER, FLAT, 1/4	2	2
4	0008233	NUT, NYLON LOCK, 1/4 - 20	2	2
5	0007251	SCREW, PHILLIPS TRUSS HEAD, 5/16 - 18 x 1	2	2
6	0001241	WASHER, FLAT, 5/16	2	2
7	0007473	NUT, NYLON LOCK, 5/16 - 18	2	2

6

G

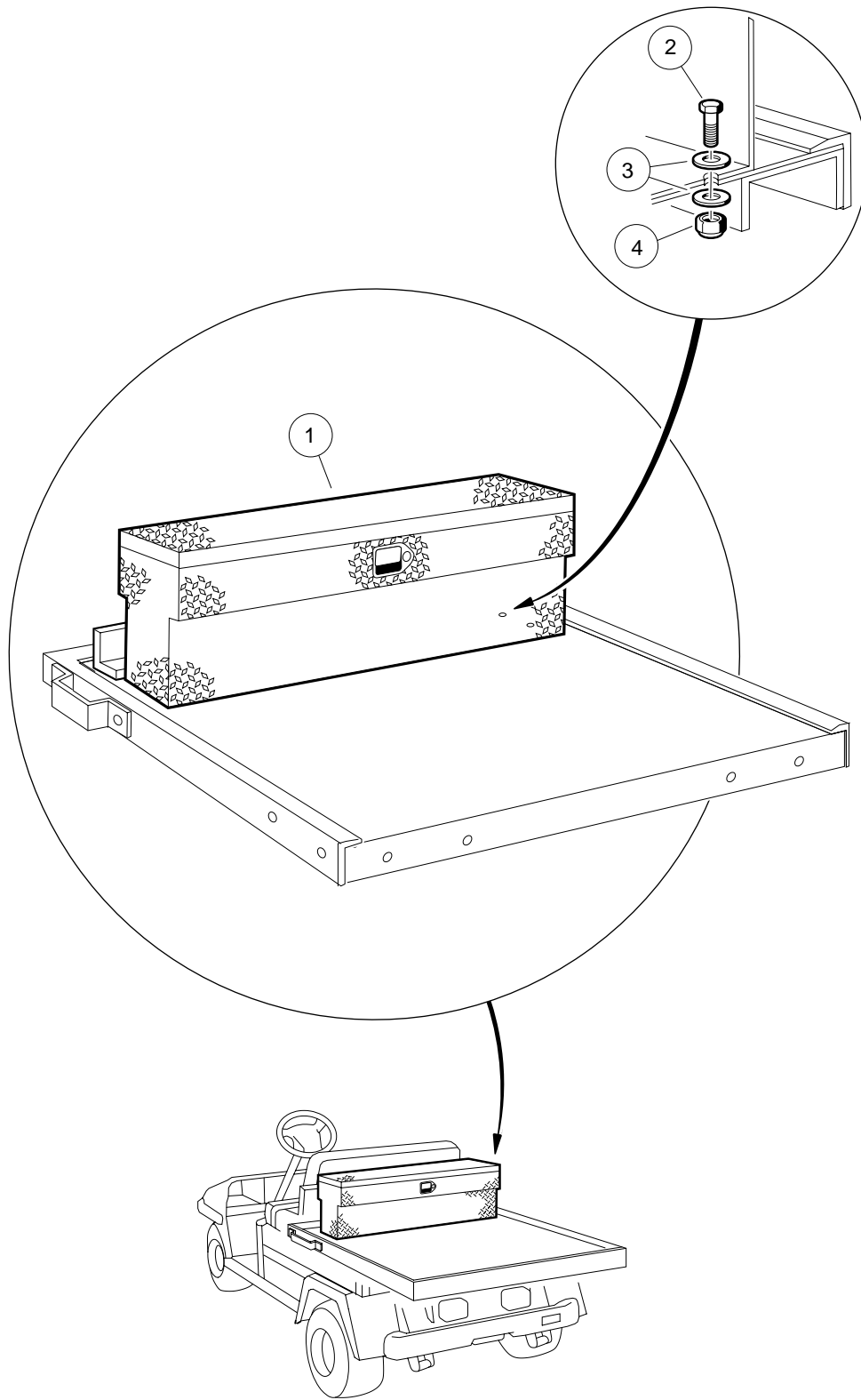
E



TAILGATE RAMP KIT

6
G
E

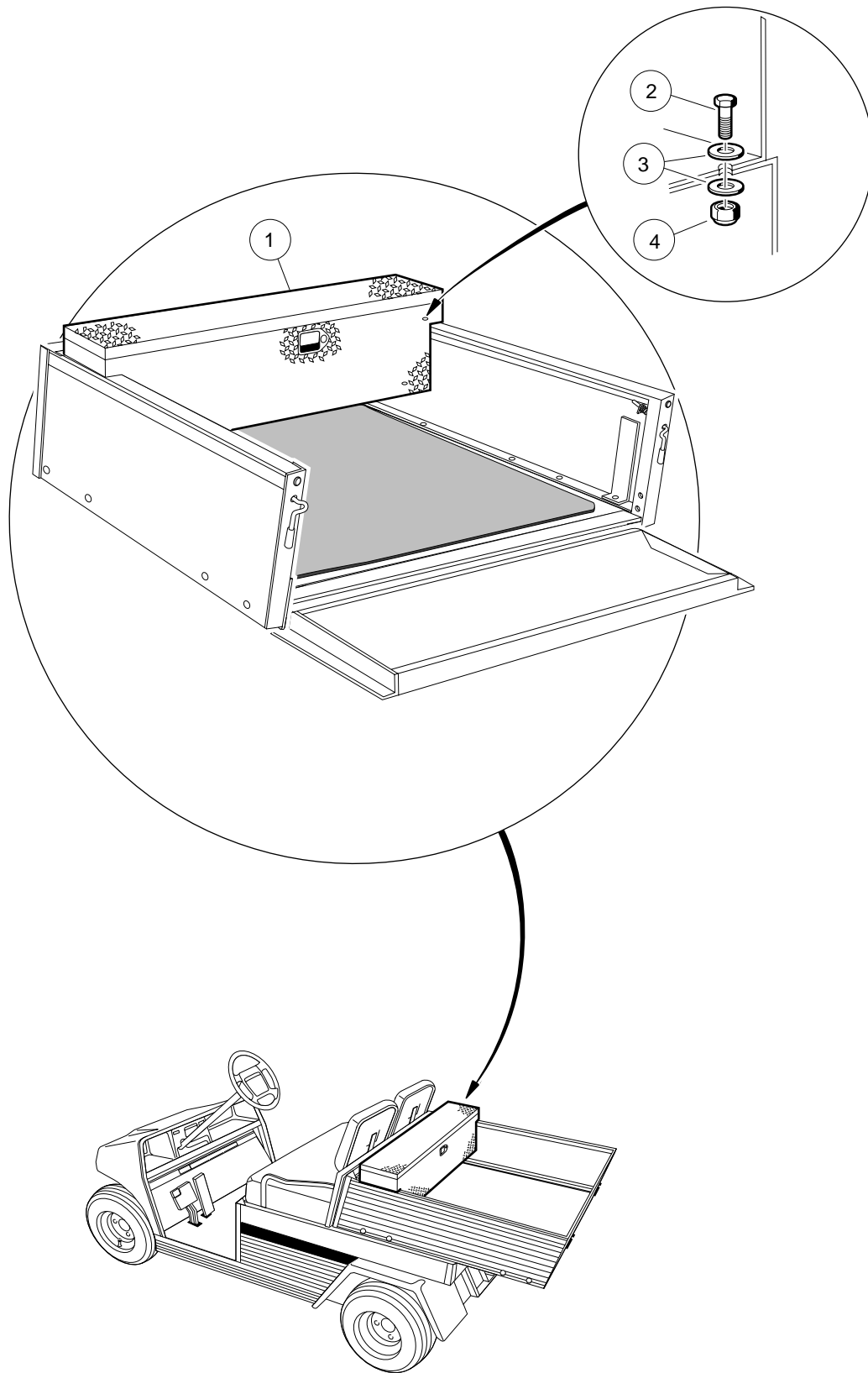
ITEM	PART NO.	DESCRIPTION	QTY GAS	QTY ELEC
		1 2 3 4 TO INSTALL THIS KIT, VEHICLE MUST BE EQUIPPED WITH A CARGO BOX KIT.		
	1015591-02	KIT, TAILGATE RAMP - CARRYALL I (INCLUDES ITEMS 1 - 29)	1	1
	1015591-01	KIT, TAILGATE RAMP - CARRYALL II (INCLUDES ITEMS 1 - 29)	1	1
1	N/A	RAMP ASSEMBLY, FRONT (INCLUDES ITEMS 3 - 13)	1	1
2	N/A	RAMP ASSEMBLY, REAR (INCLUDES ITEMS 4 - 13)	1	1
3	1015549	BRACKET, RAMP CONNECTION PIVOT	4	4
4	0007251	SCREW, PHILLIPS TRUSS HEAD, 5/16 - 18 x 1	4	4
5	1015572-02	SUPPORT, RAMP CONNECTION - CARRYALL I	1	1
5	1015572-01	SUPPORT, RAMP CONNECTION - CARRYALL II AND II PLUS	1	1
6	0001107	SCREW, FLAT HEAD MACHINE, 1/4 - 20 x 3/4	5	5
7	0000332	WASHER, FLAT, 1/4	5	5
8	0008233	NUT, NYLON, 1/4 - 20	5	5
9	1010934	SCREW, HEX HEAD MACHINE, 5/16 - 18 x 1	10	10
10	0001241	WASHER, FLAT, 5/16	26	26
11	0007473	NUT, NYLON LOCK, 5/16 - 18	14	14
12	1015852-01	TAPE, GRIP, 6" WIDE	A/R	A/R
13	1015852-02	TAPE, GRIP, 3 1/2" WIDE - CARRYALL I	A/R	A/R
14	1015554	PLATE, RAMP LATCH	2	2
15	1010934	SCREW, HEX HEAD MACHINE, 5/16 - 18 x 1	10	10
16	0001241	WASHER, FLAT, 5/16	4	4
17	0007473	NUT, NYLON LOCK, 5/16 - 18	4	4
18	1015548-02	HINGE, RAMP ATTACHING - CARRYALL I	2	2
18	1015548-01	HINGE, RAMP ATTACHING - CARRYALL II	2	2
19	0007174	WASHER, LOCK, 5/16	6	6
20	0001242	NUT, HEX, 5/16 - 18	6	6
21	0000320	SCREW, HEX HEAD MACHINE, 3/8 - 16 x 1	6	6
22	1011990	WASHER, LOCK, 3/8	6	6
23	0008754	NUT, NYLON LOCK, 3/8 - 16	6	6
24	1015595	STOP, RAMP, PASSENGER SIDE	1	1
25	1015596	STOP, RAMP, DRIVER SIDE	1	1
26	0007847	SCREW, HEX HEAD MACHINE, 1/4 - 20 x 3/4	4	4
27	0000332	WASHER, FLAT, 1/4	4	4
28	0008233	NUT, NYLON LOCK, 1/4 - 20	4	4
29	1014622	BUMPER	4	4



FLAT BED TOOL BOX

ITEM	PART NO.	DESCRIPTION	QTY GAS	QTY ELEC
		1 2 3 4		
1	1018374-01	TOOL BOX	1	1
2	0007847	SCREW, HEX HEAD, 1/4 - 20 x 3/4	4	4
3	0000332	WASHER, FLAT, 1/4	8	8
4	0008233	NUT, NYLON LOCK, 1/4 - 20	4	4

6
G
E



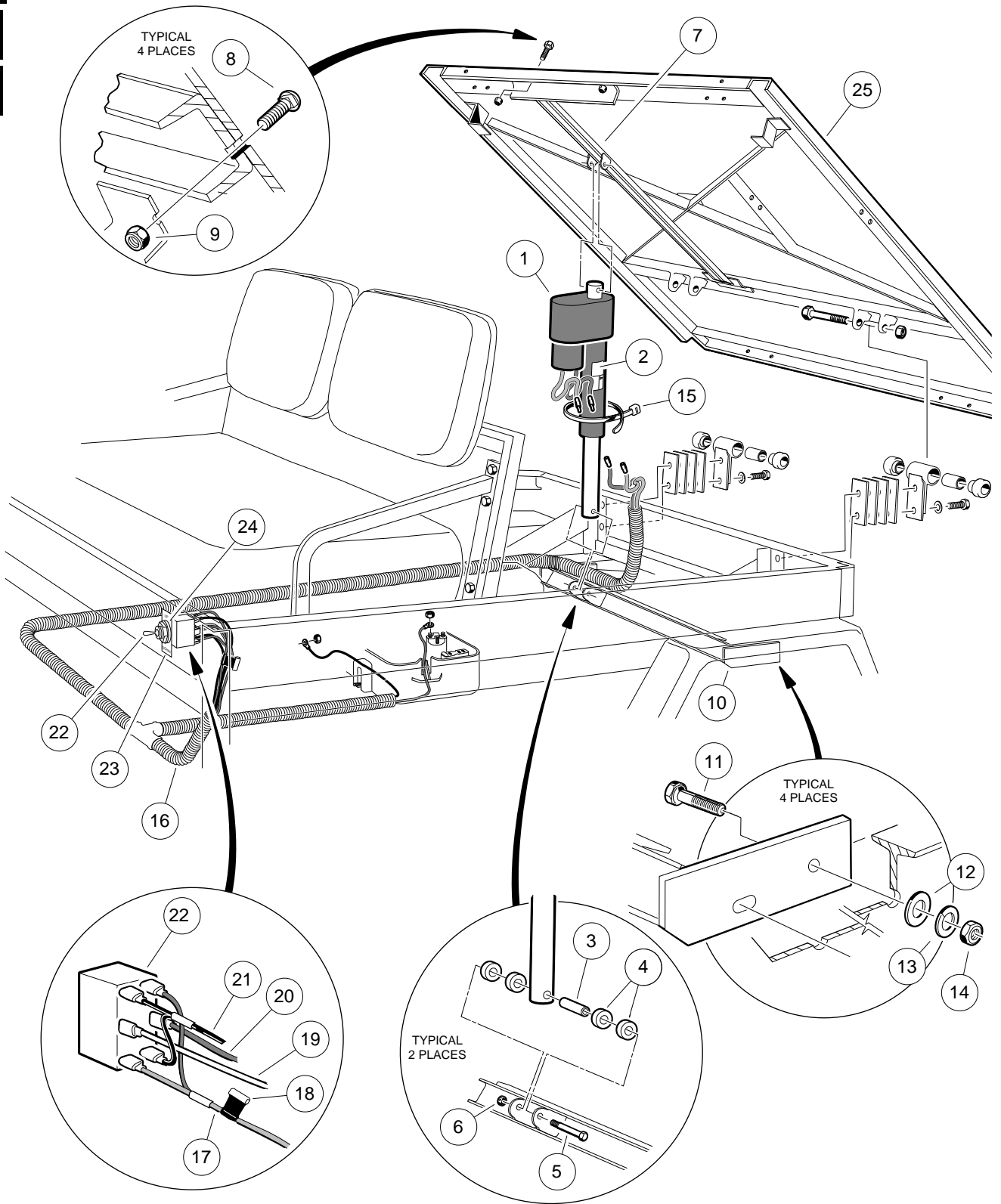
PICKUP BED TOOL BOX

ITEM	PART NO.	DESCRIPTION	QTY GAS	QTY ELEC
		1 2 3 4 TO INSTALL THIS KIT, VEHICLE MUST BE EQUIPPED WITH A CARGO BOX KIT.		
1	1018375-01	TOOL BOX - CARRYALL I	1	1
1	1018375-02	TOOL BOX - CARRYALL II	1	1
2	0007847	SCREW, HEX HEAD, 1/4 - 20 x 3/4	4	4
3	0000332	WASHER, FLAT, 1/4	8	8
4	0008233	NUT, NYLON LOCK, 1/4 - 20	4	4

6

G

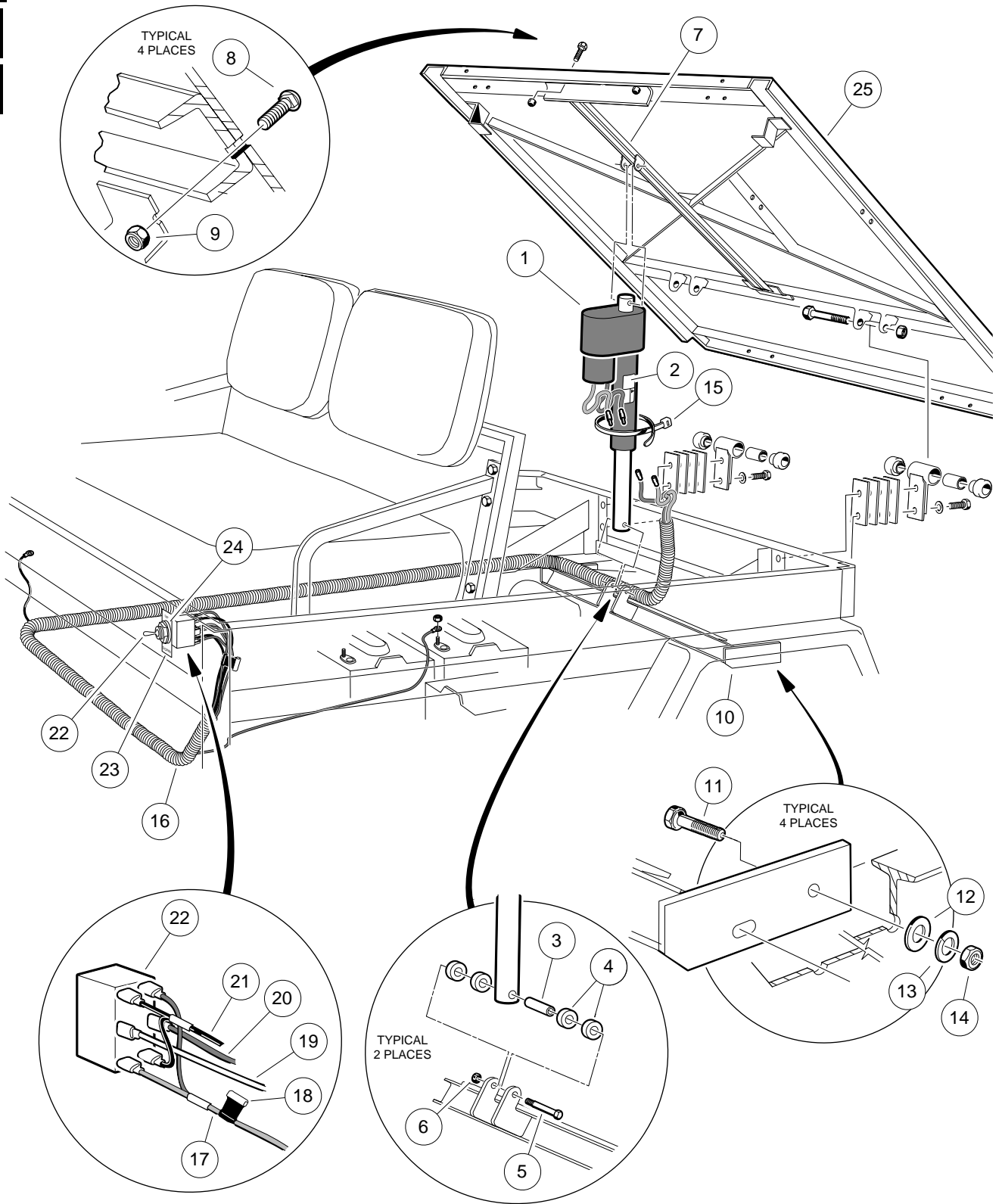
E



ELECTRIC TILT BED KIT GASOLINE CARRYALL II AND II PLUS

ITEM	PART NO.	DESCRIPTION	QTY GAS	QTY ELEC
		1 2 3 4		
	1017161-02	KIT, ELECTRIC TILT BED - GASOLINE VEHICLE (INCLUDES ITEMS 1 - 24).....	1	
1	N/A	ACTUATOR, ELECTRIC (INCLUDES ITEM 2)	1	
2	1015704	DECAL, WARNING, TILT SYSTEM	1	
3	1016603	BUSHING, LONG	2	
4	1017774	SPACER	4	
5	0007561	SCREW, HEX HEAD, 3/8 - 16 x 3	2	
6	1010138	NUT, DIMPLED LOCK, 3/8 - 16	2	
7	1017167	WELDMENT, ACTUATOR ADAPTER	1	
8	1010435	BOLT, CARRAGE, 5/16 - 18 x 1	3	
9	0007473	NUT, NYLON LOCK, 5/16 - 18	3	
10	1015612	BRACKET, CYLINDER MOUNTING	1	
11	0000705	SCREW, HEX HEAD, 3/8 - 16 x 1 1/4	4	
12	1011990	WASHER, FLAT, 3/8	4	
13	0000357	WASHER, LOCK, 3/8	4	
14	0000706	NUT, HEX, 3/8 - 16	2	
15	0008990	TIE WRAP	10	
16	1017163	WIRE HARNESS (INCLUDES ITEMS 17 - 22)	1	
17	N/A	WIRE ASSEMBLY, #14 RED (INCLUDES ITEM 18)	1	
18	1018818-01	CIRCUIT BREAKER	1	
19	N/A	WIRE ASSEMBLY, #14 YELLOW	1	
20	N/A	WIRE ASSEMBLY, #14 RED	1	
21	N/A	WIRE ASSEMBLY, #14 BLACK	1	
22	1015636	SWITCH, TOGGLE	1	
23	1015653	DECAL, UP/DOWN	1	
24	1014557	WASHER, FLAT, 7/16	1	
25	1015429-02	BED	1	

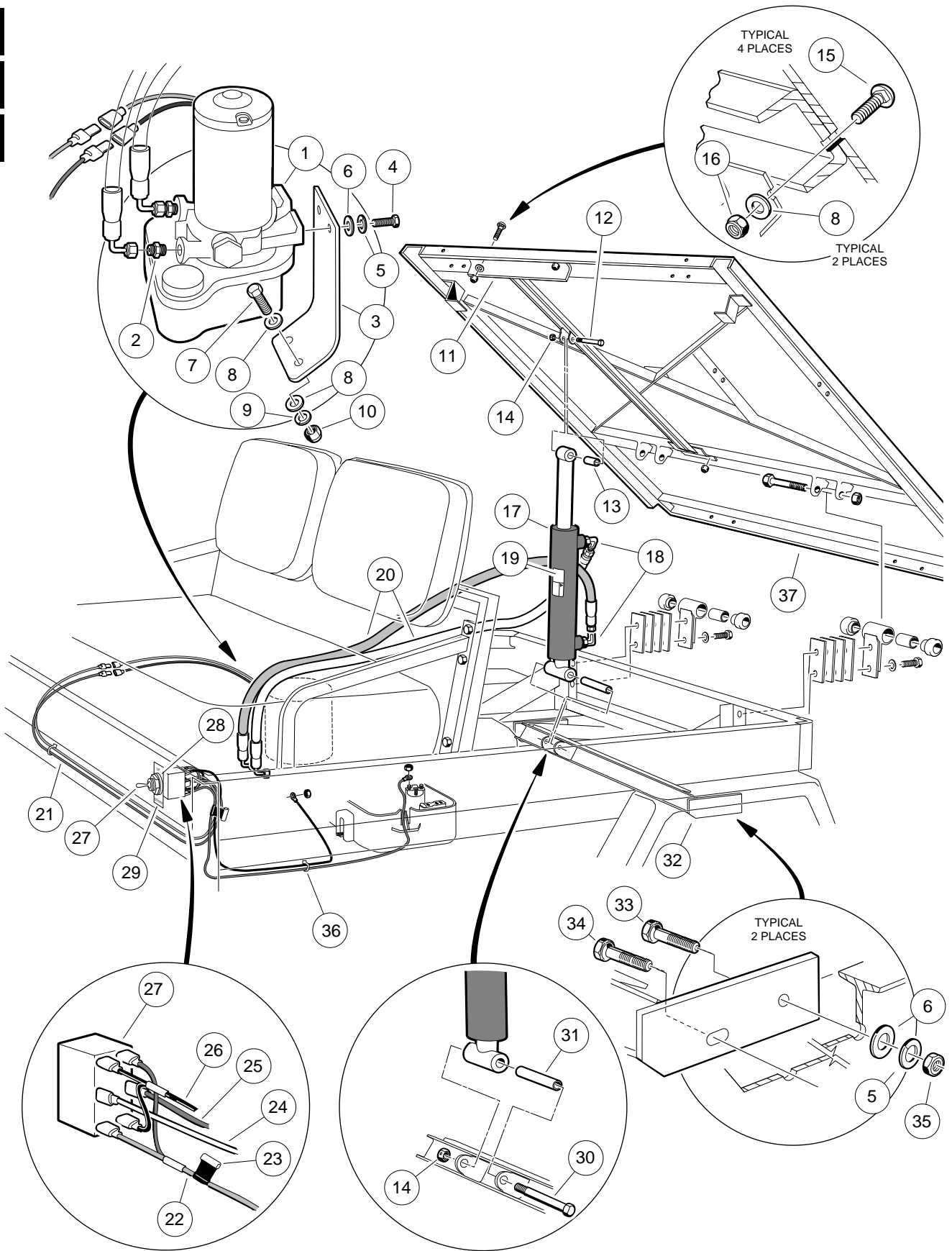
6
G
E



ELECTRIC TILT BED KIT POWERDRIVE ELECTRIC CARRYALL II

ITEM	PART NO.	DESCRIPTION	QTY GAS	QTY ELEC
		1 2 3 4		
	1017161-04	KIT, ELECTRIC TILT BED - ELECTRIC VEHICLE (INCLUDES ITEMS 1 - 24)		1
1	N/A	ACTUATOR, ELECTRIC (INCLUDES ITEM 2)		1
2	1015704	DECAL, WARNING, TILT SYSTEM		1
3	1016603	BUSHING, LONG		2
4	1017774	SPACER		4
5	0007561	SCREW, HEX HEAD, 3/8 - 16 x 3		2
6	1010138	NUT, DIMPLED LOCK, 3/8 - 16		2
7	1017167	WELDMENT, ACTUATOR ADAPTER		1
8	1010435	BOLT, CARRAGE, 5/16 - 18 x 1		3
9	0007473	NUT, NYLON LOCK, 5/16 - 18		3
10	1018728-01	BRACKET, CYLINDER MOUNTING		1
11	0000705	SCREW, HEX HEAD, 3/8 - 16 x 1 1/4		4
12	1011990	WASHER, FLAT, 3/8		4
13	0000357	WASHER, LOCK, 3/8		4
14	0000706	NUT, HEX, 3/8 - 16		2
15	0008990	TIE WRAP		12
16	1018729-01	WIRE HARNESS (INCLUDES ITEMS 17 - 22)		1
17	N/A	WIRE ASSEMBLY, #14 RED (INCLUDES ITEM 18)		1
18	1018818-01	CIRCUIT BREAKER		1
19	N/A	WIRE ASSEMBLY, #14 YELLOW		1
20	N/A	WIRE ASSEMBLY, #14 RED		1
21	N/A	WIRE ASSEMBLY, #14 BLACK		1
22	1015636	SWITCH, TOGGLE		1
23	1015653	DECAL, UP/DOWN		1
24	1014557	WASHER, FLAT, 7/16		1
25	1015429-02	BED		1

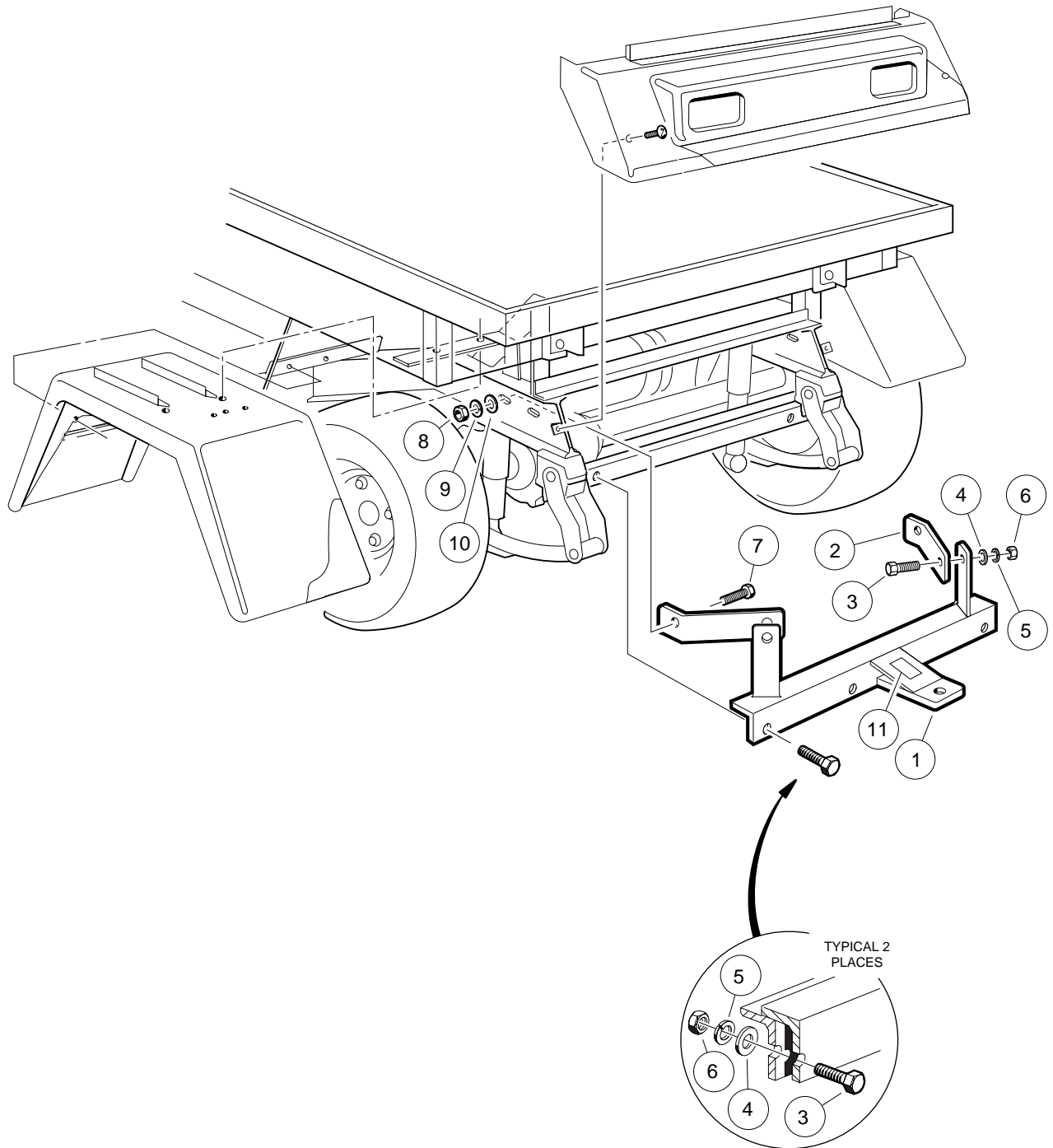
6
G
E



HYDRAULIC TILT BED KIT GASOLINE CARRYALL II AND CARRYALL II PLUS

ITEM	PART NO.	DESCRIPTION	QTY GAS	QTY ELEC
		1 2 3 4		
	1015640	KIT, HYDRAULIC TILT BED (INCLUDES ITEMS 1 - 35)	1	
1	1016136	PUMP ASSEMBLY, HYDRAULIC TILT BED	1	
2	1015623	ADAPTER, STRAIGHT THREAD	2	
3	1015621	BRACKET, HYDRAULIC PUMP MOUNTING	1	
4	1012463	SCREW, HEX HEAD CAP, 3/8 - 16 x 7/8	2	
5	0000357	WASHER, LOCK, 3/8	6	
6	1011990	WASHER, FLAT, 3/8	6	
7	1010934	SCREW, HEX HEAD CAP, 5/16 - 18 x 1	2	
8	0001241	WASHER, FLAT, 5/16	6	
9	0007174	WASHER, LOCK, 5/16	2	
10	0001242	NUT, HEX, 5/16 - 18	2	
11	1015615	ADAPTER, CYLINDER WELDMENT	1	
12	1010177	BOLT, HEX HEAD, 3/8 - 16 x 2	1	
13	1015608	SPACER, SMALL TUBE	1	
14	1010138	NUT, HEX DIMPLED LOCK, 3/8 - 16	1	
15	1014826	BOLT, CARRIAGE, 5/16 - 18 x 1	4	
16	0007473	NUT, NYLON LOCK, 5/16 - 18	5	
17	1015617	CYLINDER, HYDRAULIC TILT BED	1	
18	1015624	ELBOW, 90°, STRAIGHT THREAD	2	
19	1015704-01	DECAL, WARNING, HYDRAULIC CYLINDER	1	
20	1015616	HOSE ASSEMBLY, HYDRAULIC	2	
21	1015638	WIRE HARNESS (INCLUDES ITEMS 22 - 27)	1	
22	1018884-01	WIRE ASSEMBLY, #14 RED (INCLUDES ITEM 23)	1	
23	1018818-01	CIRCUIT BREAKER	1	
24	N/A	WIRE ASSEMBLY, #14 YELLOW	1	
25	N/A	WIRE ASSEMBLY, #14 RED	1	
26	N/A	WIRE ASSEMBLY, #14 BLACK	1	
27	1015636	SWITCH, TOGGLE	1	
28	1014557	WASHER, FLAT, 7/16	1	
29	1015653	DECAL, UP/DOWN	1	
30	0007561	BOLT, HEX HEAD, 3/8 - 16 x 3	1	
31	1015610	SPACER, LARGE TUBE	1	
32	1015612	BRACKET, CYLINDER MOUNTING	1	
33	0000705	SCREW, HEX HEAD, 3/8 - 16 x 1 1/4	2	
34	0000320	SCREW, HEX HEAD, 3/8 - 16 x 1	2	
35	0000706	NUT, HEX, 3/8 - 16	4	
36	0008990	WRAP, TIE	8	
37	1015429-02	BED	1	

6
G
E



TRAILER HITCH KIT - CARRYALL I

ITEM	PART NO.	DESCRIPTION	QTY GAS	QTY ELEC
		1 2 3 4		
1	1015445	KIT, TRAILER HITCH (INCLUDES ITEMS 2 - 11)	1	1
2	1013483	BRACE, TRAILER HITCH	2	2
3	1010934	SCREW, HEX HEAD CAP, 5/16 - 18 x 1	4	4
4	0001241	WASHER, FLAT, 5/16	4	4
5	0007174	WASHER, LOCK, 5/16	4	4
6	0001242	NUT, HEX, 5/16 - 18	4	4
7	0000705	BOLT, HEX HEAD CAP, 3/8 - 16 x 1 1/4	2	2
8	0000706	NUT, HEX, 3/8 - 16	2	2
9	0000357	WASHER, LOCK, 3/8	2	2
10	1011990	WASHER, FLAT, 3/8	2	2
11	1011553	DECAL	1	1
<p>NOTE: THIS TRAILER HITCH COMES STANDARD ON CARRYALL II, CARRYALL TURF II, AND CARRYALL II PLUS.</p>				

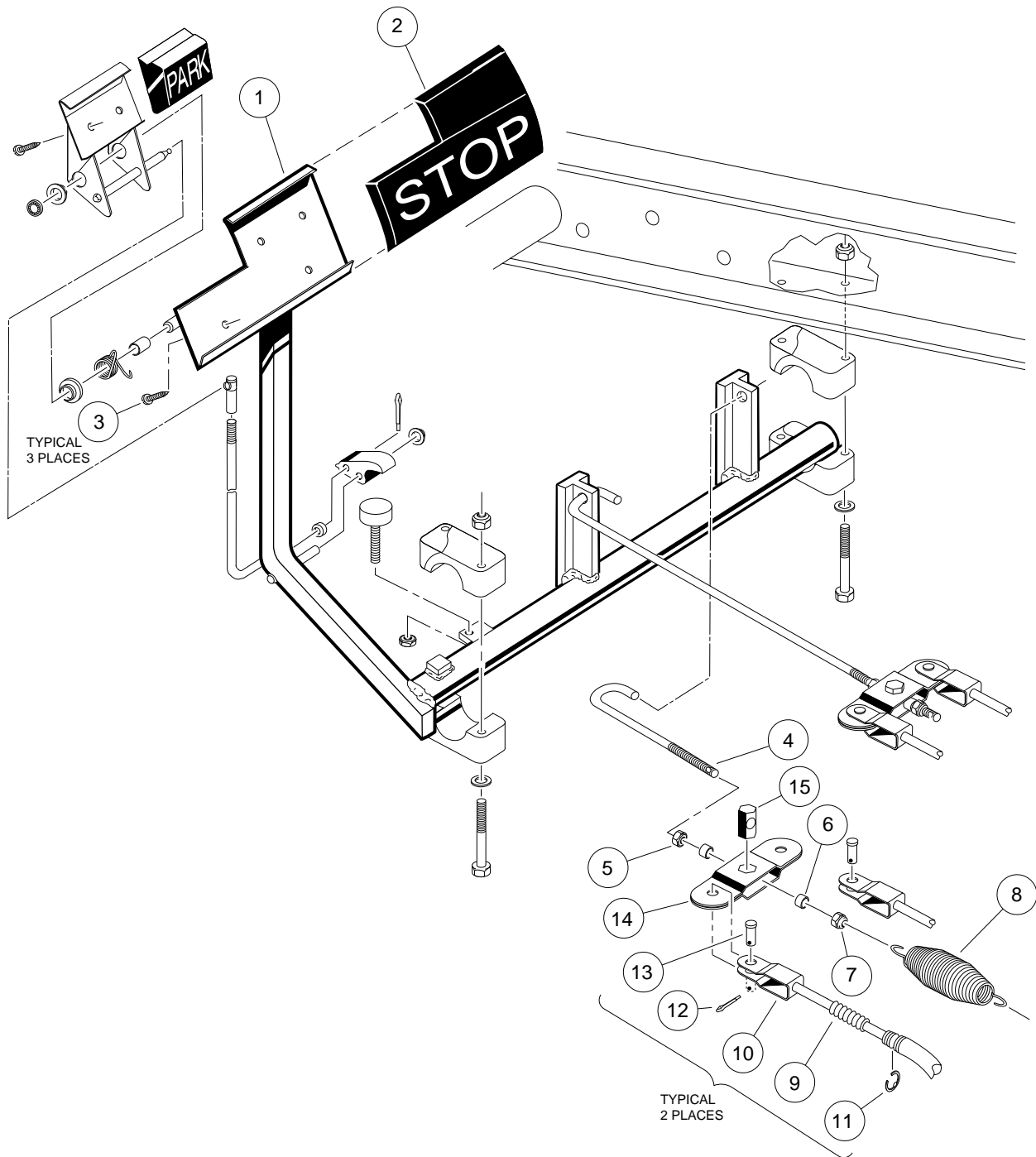
6
G
E

BRAKE KITS

7

G

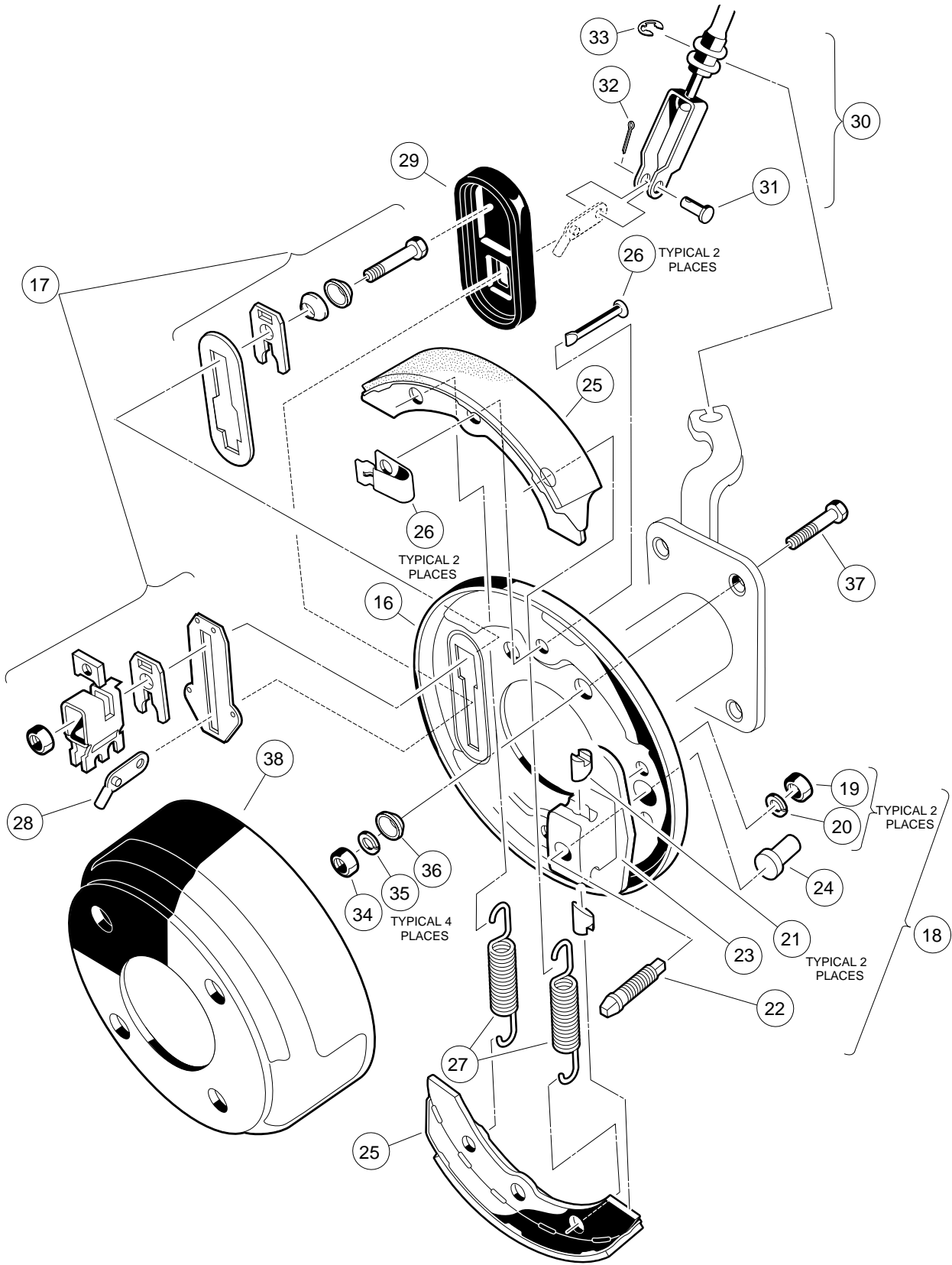
E



FOUR WHEEL BRAKE KIT, BRAKE PEDAL AND CABLE ASSEMBLY - 1995 CARRYALL VI

ITEM	PART NO.	DESCRIPTION	QTY GAS	QTY ELEC
		1 2 3 4		
	1018892-01	KIT, FRONT BRAKE (INCLUDES ITEMS 1 - 70)	1	1
1	1018782-01	BRAKE PEDAL SUB ASSEMBLY (INCLUDES ITEMS 2 AND 3)	1	1
2	1013869	PAD, BRAKE PEDAL	1	1
3	0007716	SCREW, TYPE AB, #10 x 16	3	3
4	1018687-01	ROD, EQUALIZER, FRONT	1	1
5	0001242	NUT, HEX, 5/16 - 18	2	2
6	1018653-01	SPACER, EQUALIZER	4	4
7	0007473	NUT, NYLON LOCK, 5/16 - 18	6	6
8	1013532	SPRING, BRAKE RETURN	1	1
9	1018746-01	KIT, BRAKE CABLE, FRONT (INCLUDES ITEMS 10 - 13)	2	2
10	1018941-01	CLEVIS	1	1
11	1011779	CLIP, "E", 1/2	2	2
12	0001035	PIN, COTTER, 3/32 x 1	2	2
13	1010829	PIN, CLEVIS, 5/16	2	2
14	1017211	KIT, EQUALIZER AND PIVOT LIMITER (INCLUDES ITEM 15)	2	2
15	N/A	PIN, EQUALIZER PIVOT	1	1

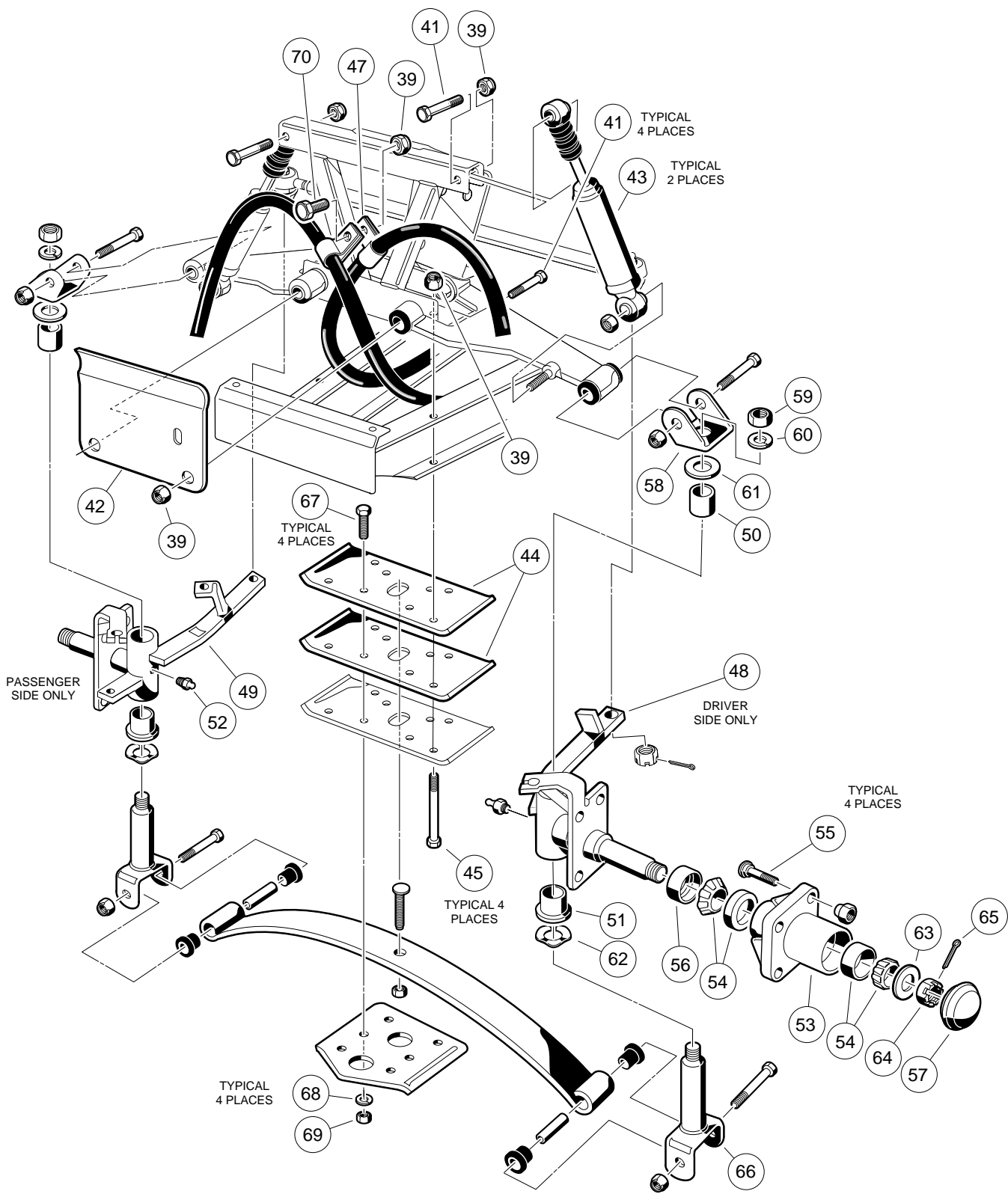
7
G
E



FOUR WHEEL BRAKE KIT, FRONT BRAKE ASSEMBLY 1995 CARRYALL VI

ITEM	PART NO.	DESCRIPTION	QTY GAS	QTY ELEC
		1 2 3 4		
	1016573	CLUSTER, RIGHT BRAKE, WITHOUT BRAKE DRUM (INCLUDES ITEMS 16 - 29)	1	1
	1016557	CLUSTER, LEFT BRAKE, WITHOUT BRAKE DRUM (INCLUDES ITEMS 16 - 29)	1	1
16	1011154	PLATE, BACKING, PASSENGER SIDE	1	1
16	1011494	PLATE, BACKING, DRIVER SIDE	1	1
17	1011465	KIT, BRAKE ACTUATOR	1	1
18	1011467	KIT, ANCHOR BODY (INCLUDES ITEMS 19 - 24)	1	1
19	1011114	NUT, M6 x 1	2	2
20	0000451	WASHER, LOCK, 1/4	2	2
21	N/A	PISTON, ANCHOR	2	2
22	N/A	BOLT, ADJUSTMENT	1	1
23	N/A	BODY, ANCHOR	1	1
24	1011303	CAP, ADJUSTMENT BOLT	1	1
25	1011463	PACKAGE, BRAKE SHOE (FOUR PIECES)	1	1
26	1011466	KIT, SHOE RETAINER (FOUR PIECE)	1	1
27	1011464	PACKAGE, BRAKE SPRING (FOUR PIECES)	1	1
28	N/A	ARM, BRAKE LEVER	1	1
29	1010850	COVER, DUST	1	1
30	1018746-01	KIT, BRAKE CABLE (INCLUDES ITEMS 31, 32 AND 33).....	2	2
31	1010829	PIN, CLEVIS, 5/16	2	2
32	0001035	PIN, COTTER, 3/32 x 1	2	2
33	1011779	CLIP, "E", 1/2	2	2
34	1018727-01	NUT, HEX, 5/16 - 24	8	8
35	0007174	WASHER, LOCK, 5/16	8	8
36	1018690-01	WASHER, CONE, 5/16	8	8
37	1017232	BOLT, HEX HEAD, 5/16 - 24 x 1	8	8
38	1011137	DRUM, BRAKE	2	2

7
G
E



FOUR WHEEL BRAKE KIT, FRONT SUSPENSION 1995 CARRYALL VI

ITEM	PART NO.	DESCRIPTION	QTY GAS	QTY ELEC
		1 2 3 4		
39	0008754	NUT, NYLON LOCK, 3/8 - 16	7	7
40	0000334	WASHER, FLAT, 3/8	2	2
41	0002402	BOLT, HEX HEAD, 3/8 - 16 x 2 1/4	2	2
42	1019550-01	BRACKET, BRAKE CABLE GUIDE	1	1
43	1018706-01	SHOCK ABSORBER, FRONT	2	2
44	1010124	PLATE, SPRING MOUNTING	2	2
45	1018705-01	BOLT, HEX HEAD, 3/8 - 16 x 4 3/4	4	4
46	0000706	NUT, HEX, 3/8 - 16	2	2
47	1019353-01	CLAMP, BRAKE CABLE (PART OF BRAKE CABLE ASSEMBLY)	2	2
48	1018769-01	ASSEMBLY, LEFT SPINDLE (INCLUDES ITEMS 50, 51 AND 52)	1	1
49	1018770-01	ASSEMBLY, RIGHT SPINDLE (INCLUDES ITEMS 50, 51 AND 52)	1	1
50	0008067	BUSHING, BRONZE SPINDLE	1	1
51	0007048	BUSHING, BRONZE	1	1
52	1015597	FITTING, GREASE, 1/4 - 28	1	1
53	1011892	ASSEMBLY, HUB (INCLUDES ITEMS 54 - 57)	2	2
54	1011393	PACKAGE, HUB BEARING	2	2
55	1011304	STUD, LUG, 1/2 - 20	4	4
56	1013135	SEAL, DOUBLE LIP	1	1
57	1011887	COVER, DUST	1	1
58	1016384	CLEVIS, UPPER DELTA	2	2
59	0001308	NUT, HEX, 1/2 - 20	2	2
60	0000209	WASHER, SPLIT LOCK, 1/2	2	2
61	1010150	BEARING, THRUST	2	2
62	1016389	WASHER, KINGPIN WAVE	2	2
63	1010005	WASHER, FLAT, 3/4	2	2
64	0007840	NUT, HEX SLOTTED, 3/4 - 16	2	2
65	0007910	PIN, COTTER, 5/32 x 1	2	2
66	1016386	KINGPIN	2	2
67	1010177	SCREW, HEX HEAD CAP, 3/8 - 16 x 2	4	4
68	0000357	WASHER, LOCK, 3/8	4	4
69	0000706	NUT, HEX, 3/8 - 16	4	4
70	0000320	BOLT, HEX HEAD, 3/8 - 16 x 1	1	1

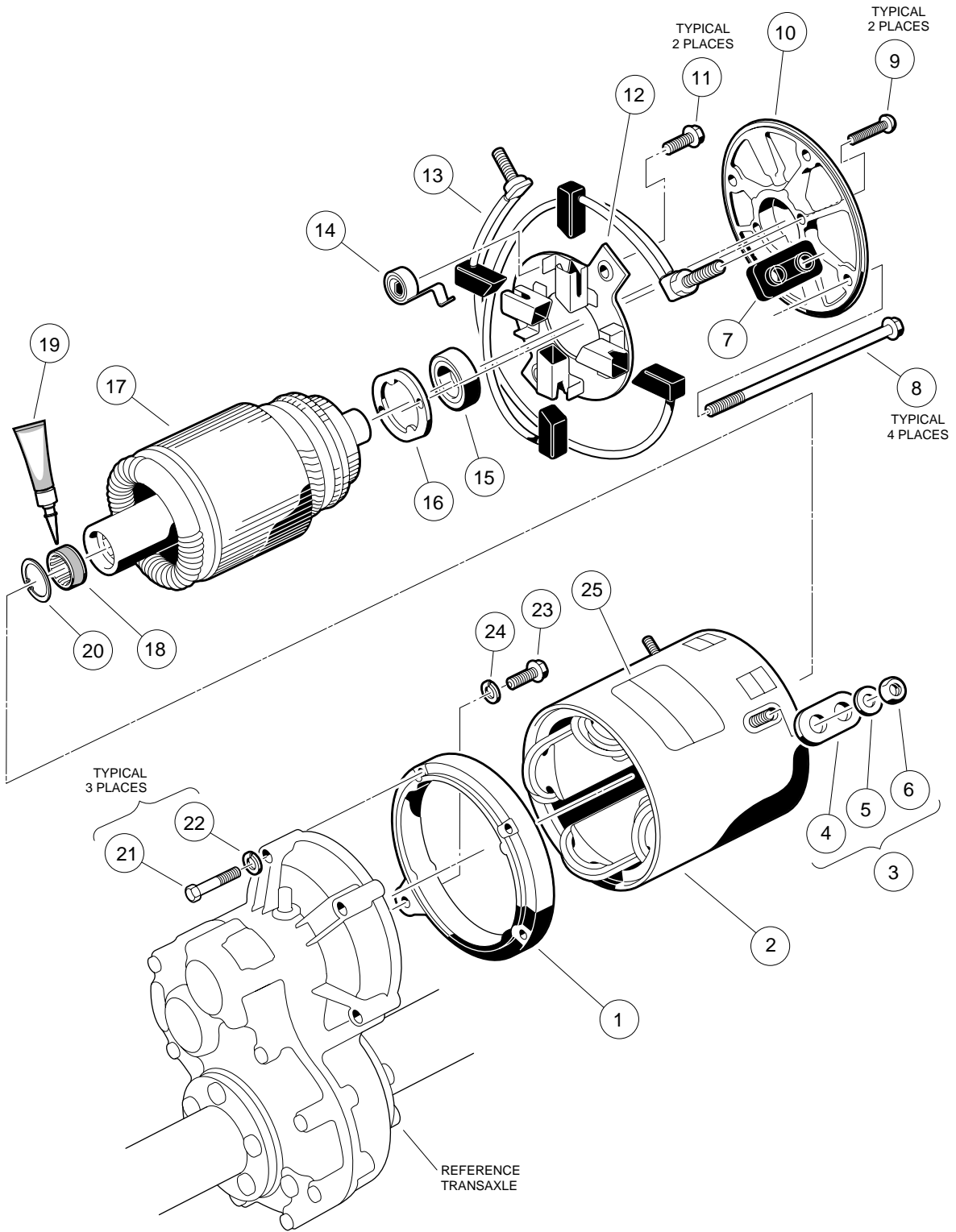
7
G
E

POWERTRAIN KITS

8

G

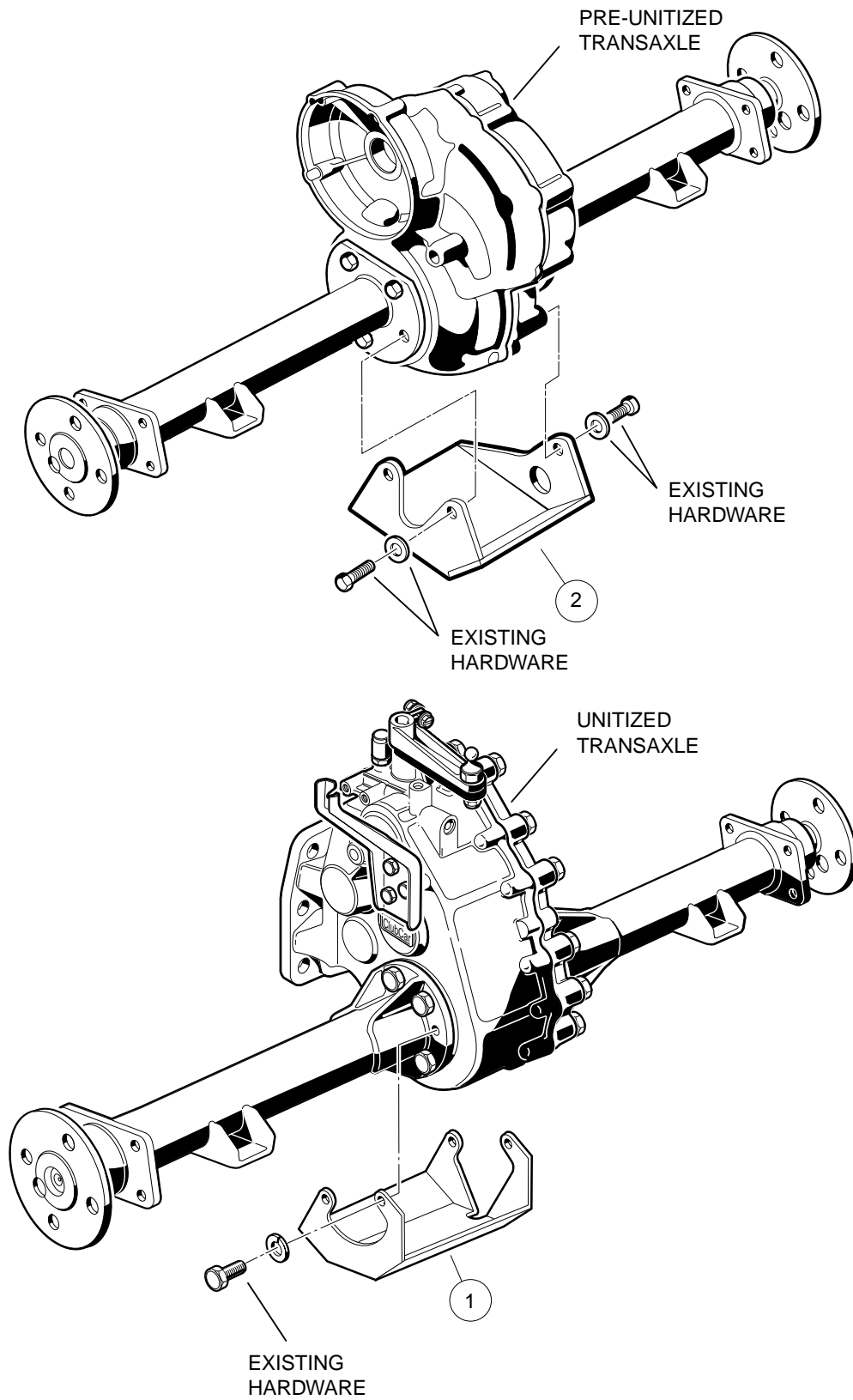
E



3.75 HORSEPOWER MOTOR POWERDRIVE ELECTRIC VEHICLE

ITEM	PART NO.	DESCRIPTION	QTY GAS	QTY ELEC
		1 2 3 4		
	1018133-02	ASSEMBLY, 48 VOLT MOTOR, 3.75 HP (INCLUDES ITEMS 1 - 20)		1
1	1017944	SHIELD, END		1
2	1017959	ASSEMBLY, STATOR SHELL AND WINDING		1
3	1017947	PACKAGE, HARDWARE (INCLUDES ITEMS 4 - 7)		1
4	N/A	BUSHING, INSULATOR		2
5	N/A	WASHER, FLAT, 5/16		4
6	N/A	NUT, HEX, 5/16 - 18		4
7	N/A	BUSHING, INSULATOR		2
8	1017961	SCREW, CLAMP		4
9	1017953	SCREW, BEARING RETAINER		2
10	1017951	SHIELD, END		1
11	1017949	SCREW, BRUSH HOLDER		2
12	1017948	RIGGING, BRUSH		1
13	1017946	PACKAGE, BRUSH (2 PIECES)		1
14	1011411	PACKAGE, BRUSH SPRING (4 PIECES)		1
15	1011290	BEARING, BALL		1
16	1017950	RETAINER, BEARING		1
17	N/A	ARMATURE		1
18	1017891-01	RING, GUIDE		1
19	1018132-02	ADHESIVE, GUIDE RING, 3 GRAM TUBE		A/R
20	1018228-01	RING, INTERNAL RETAINING		1
21	1014201	BOLT, HEX HEAD, 1/4 - 20 x 2 1/4		3
22	0000451	WASHER, LOCK, 1/4		3
23	1010934	BOLT, HEX HEAD, 5/16 - 18 x 1		1
24	0007174	WASHER, LOCK, 5/16		1
25	1018808-01	DECAL, MOTOR WARNING		1

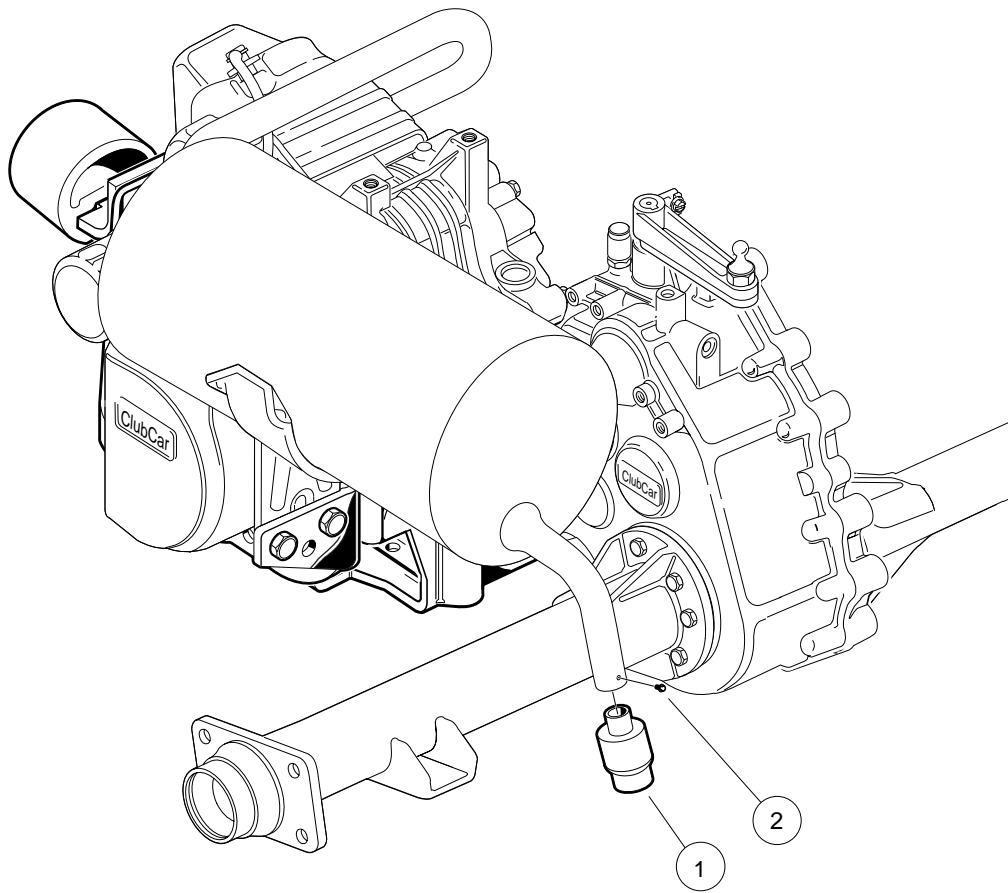
8
G
E



DIFFERENTIAL GUARD KIT

ITEM	PART NO.	DESCRIPTION	QTY GAS	QTY ELEC
		<p>1 2 3 4</p> <p>ALL POWERDRIVE ELECTRIC VEHICLES USE THE GUARD ILLUSTRATED AT THE TOP OF PAGE 8-4.</p> <p>EARLY 1997 GASOLINE CARRYALL II PLUS AND CARRYALL VI VEHICLES (SERIAL NUMBERS 9710-563082 AND EARLIER) MAINTAINED THE 1996 POWERTRAIN CONFIGURATION USING SEPARATE TRANSMISSION AND TRANSAXLE UNITS. IF YOUR VEHICLE HAS SEPARATE TRANSMISSION AND TRANSAXLE UNITS, THE GUARD ILLUSTRATED AT THE TOP OF PAGE 8-4 IS USED ON YOUR VEHICLE.</p> <p>ALL GASOLINE CARRYALL I, CARRYALL II VEHICLES, ALONG WITH CARRYALL II PLUS AND CARRYALL VI VEHICLES PRODUCED IN LATE 1997 (SERIAL NUMBER 9710-56083 AND GREATER), USE THE UNITIZED TRANSAXLE POWERTRAIN. IF YOUR VEHICLE HAS THE UNITIZED TRANSAXLE, THE GUARD ILLUSTRATED AT THE BOTTOM OF PAGE 8-4 IS USED ON YOUR VEHICLE.</p>		
1	1019329-02	GUARD, UNITIZED TRANSAXLE	1	
2	1016114-02	GUARD, PRE-UNITIZED TRANSAXLE	1	1

8
G
E



EXHAUST SYSTEM SPARK ARRESTOR KIT GASOLINE VEHICLE

ITEM	PART NO.	DESCRIPTION	QTY GAS	QTY ELEC
		1 2 3 4		
1	1016290-04	KIT, SPARK ARRESTOR - FOR CARRYALL I AND II (INCLUDES ITEM 2) (VEHICLES WITH SERIAL NUMBERS LOWER THAN 9536-457788)	1	
1	1016290-06	KIT, SPARK ARRESTOR - FOR CARRYALL II PLUS AND VI (INCLUDES ITEM 2) (VEHICLES WITH SERIAL NUMBERS LOWER THAN 9536-458778)	1	
1	1016290-08	KIT, SPARK ARRESTOR - FOR CARRYALL I AND II (INCLUDES ITEM 2) (VEHICLES WITH SERIAL NUMBERS 9536-458778 AND GREATER; FOR CARRYALL II PLUS AND VI VEHICLES WITH SERIAL NUMBERS 9536-458374 AND GREATER)	1	
2	N/A	SCREW, ATTACHING	1	

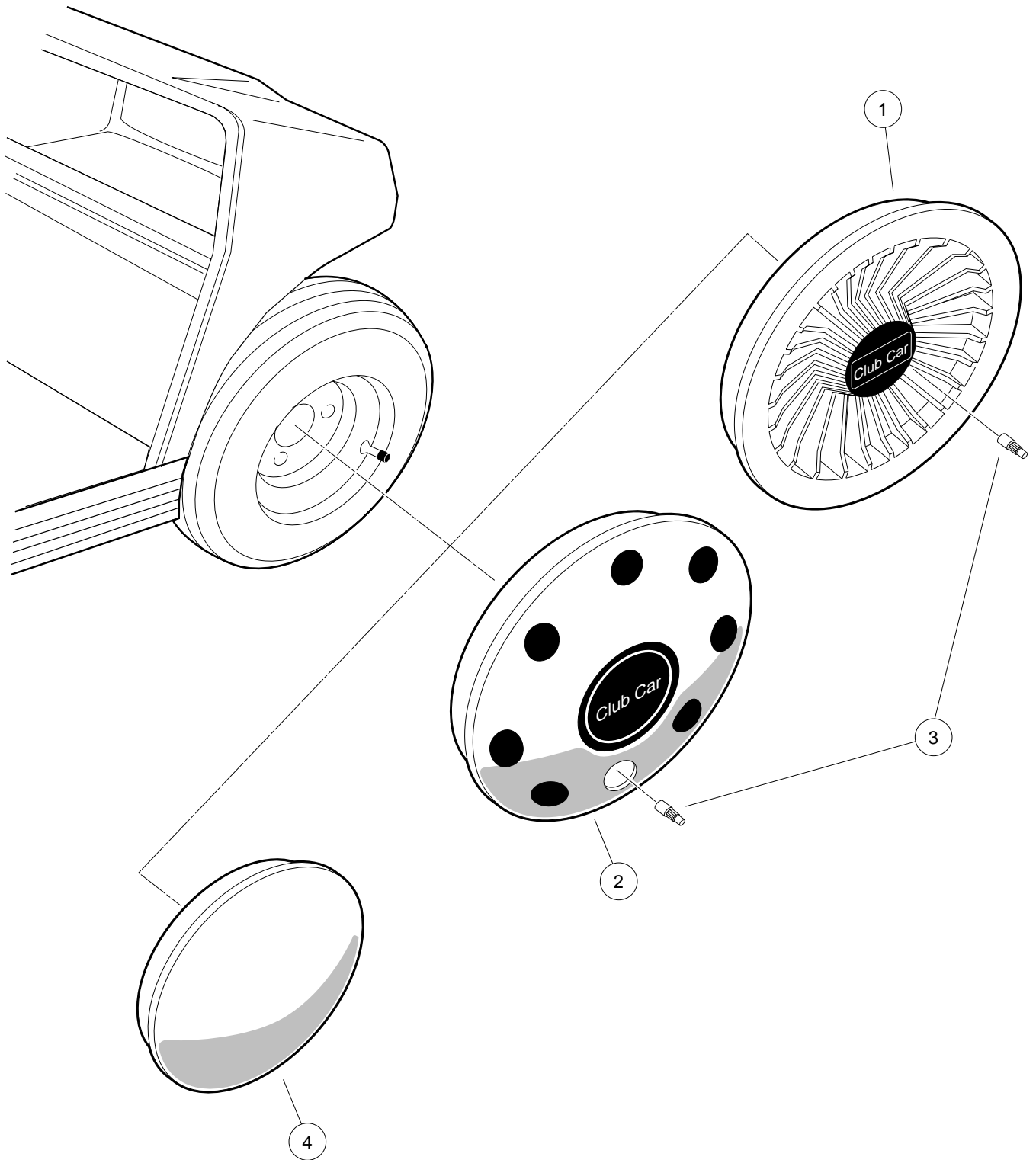
8
G
E

WHEELS AND TIRES

9

G

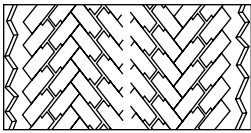
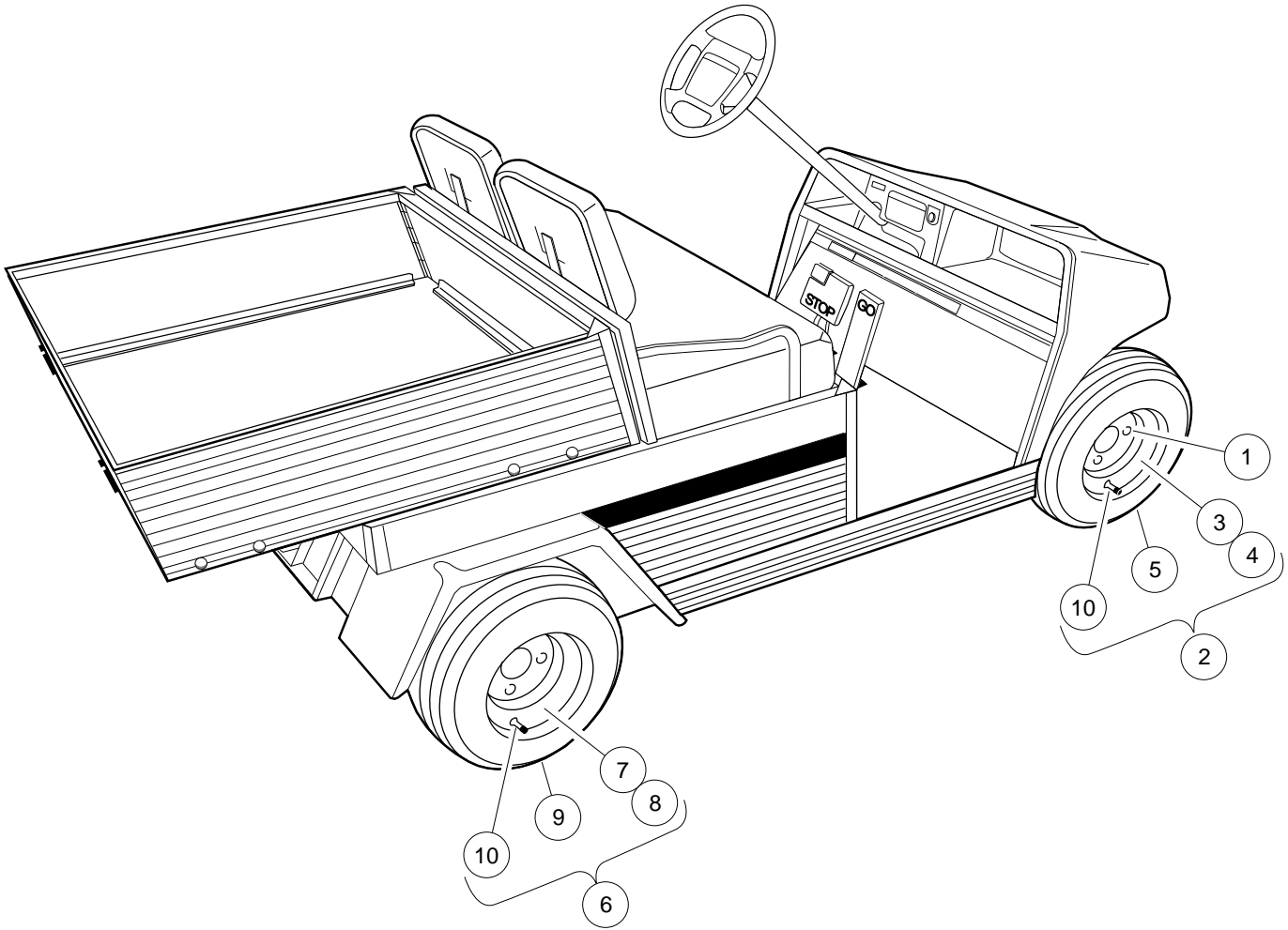
E



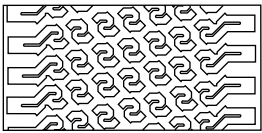
WHEEL COVERS

ITEM	PART NO.	DESCRIPTION	QTY GAS	QTY ELEC
		1 2 3 4		
1	1014964	COVER, WHEEL, RIBBED SPORT (KIT OF FOUR) (INCLUDES ITEM 3)	1	1
2	1012642	COVER, WHEEL, CHROME SPORT (INCLUDES ITEM 3)	4	4
3	1012641	EXTENSION, AIR VALVE	4	4
4	0002009	HUB, CHROME WHEEL	4	4
		NOTE: ITEMS 1 AND 4 WILL NOT FIT ON THE 6.5 INCH TIRE AND WHEEL ASSEMBLY.		

9
G
E



PREMIUM TREAD



EXTRA TRACTION

TIRES

ITEM	PART NO.	DESCRIPTION	QTY GAS	QTY ELEC
		1 2 3 4		
1	1010984	NUT, LUG	16	16
2	1015705-09	ASSEMBLY, BEIGE WHEEL AND TIRE, PREMIUM TREAD SIX PLY (18 x 6.5) (FRONT ONLY) (INCLUDES ITEMS 3, 5 AND 10)	4	4
2	1016514-09	ASSEMBLY, WHITE WHEEL AND TIRE, PREMIUM TREAD SIX PLY (18 x 6.5) (FRONT ONLY) (INCLUDES ITEMS 4, 5 AND 10)	4	4
3	1019184-01	RIM, BEIGE, 6.5 (FRONT ONLY)	4	4
4	1019184-02	RIM, WHITE, 6.5 (FRONT ONLY)	4	4
5	1018849-01	TIRE, PREMIUM TREAD, SIX PLY, 18 x 6.5 (FRONT ONLY)	4	4
6	1015705-02	ASSEMBLY, BEIGE WHEEL AND TIRE, PREMIUM TREAD FOUR PLY (18 x 8.5) (INCLUDES ITEMS 7, 9 AND 10)	4	4
6	1015705-06	ASSEMBLY, BEIGE WHEEL AND TIRE, PREMIUM TREAD SIX PLY (18 x 8.5) (INCLUDES ITEMS 7, 9 AND 10)	4	4
6	1015705-07	ASSEMBLY, BEIGE WHEEL AND TIRE, EXTRA TRACTION SIX PLY (18 x 8.5) (INCLUDES ITEMS 7, 9 AND 10)	4	4
6	1016514-02	ASSEMBLY, WHITE WHEEL AND TIRE, PREMIUM TREAD FOUR PLY (18 x 8.5) (INCLUDES ITEMS 8, 9 AND 10)	4	4
6	1016514-06	ASSEMBLY, WHITE WHEEL AND TIRE, PREMIUM TREAD SIX PLY (18 x 8.5) (INCLUDES ITEMS 8, 9 AND 10)	4	4
6	1016514-07	ASSEMBLY, WHITE WHEEL AND TIRE, EXTRA TRACTION SIX PLY (18 x 8.5) (INCLUDES ITEMS 8, 9 AND 10)	4	4
7	1015707	RIM, BEIGE, 8.5	4	4
8	1014771	RIM, WHITE, 8.5	4	4
9	1015672-02	TIRE UNMOUNTED, PREMIUM TREAD, FOUR PLY, 18 x 8.5	4	4
9	1017370-02	TIRE UNMOUNTED, PREMIUM TREAD, SIX PLY, 18 x 8.5	4	4
9	1017693-02	TIRE UNMOUNTED, EXTRA TRACTION, SIX PLY, 18 x 8.5	4	4
10	0007310	STEM, VALVE	4	4

9

G

E

CONTENTS

WHEELS AND TIRES

SECTION

9

WHEEL COVERS	9-2
TIRES	9-4