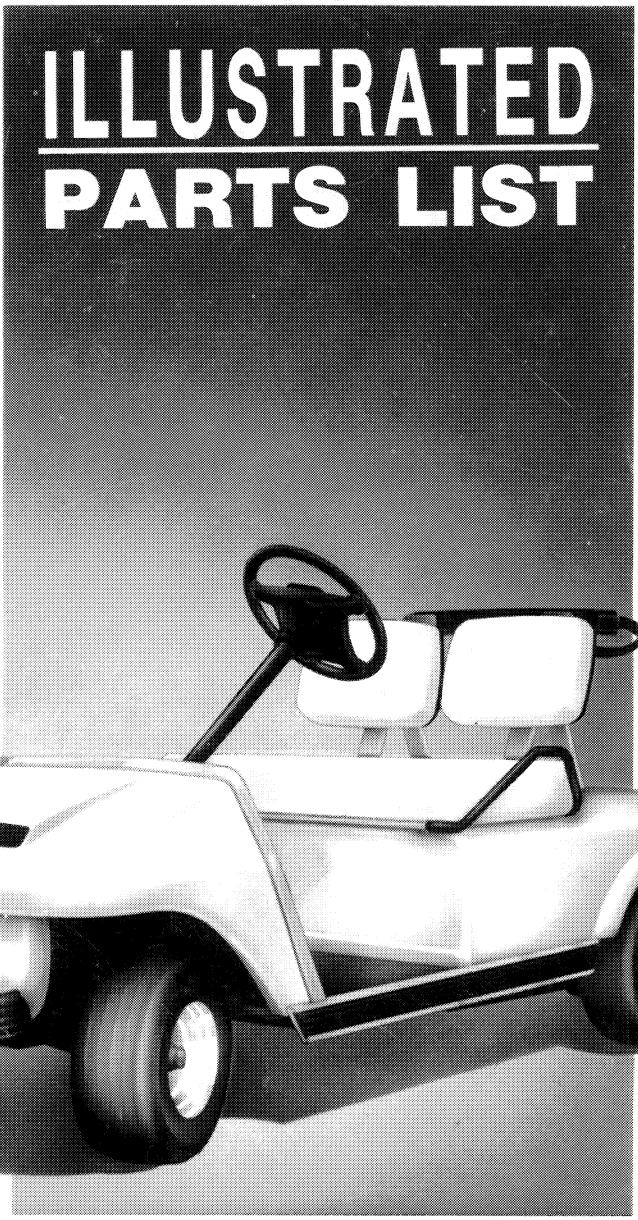


ClubCar®

1993



**ILLUSTRATED
PARTS LIST**

DS GASOLINE/ELECTRIC

WARNING

This manual is to be used for identification and ordering of service parts only. Be sure to read and use the maintenance and service manual for any repair.

4152 Washington Road
P.O. Box 204658
Augusta, Georgia 30917-4658 USA
Telephone: 706-863-3000
FAX: 706-860-7231

CONTENTS

INDEX

MAINTENANCE AND SERVICE TOOLS

BODY AND TRIM

Body and Trim	SECTION 1
Covers — Front	1-2
Covers — Rear	1-4
Seat Back and Bag Hoop	1-6
Seat Bottom and Armrest	1-8
	1-10

DRIVE UNIT

Drive Unit	SECTION 2
	2-2

BRAKES, PEDAL AND CABLE ASSEMBLY

Brake Cluster, Right and Left Hand	SECTION 3
Brake Pedal and Cable Assembly	3-2
Accelerator Pedal Assembly	3-4
	3-6

STEERING AND FRONT SUSPENSION

Steering Column — Aluminum	SECTION 4
Steering Assembly	4-2
Front Suspension Assembly — Delta A-Plate	4-4
	4-6

ELECTRICAL AND BATTERY

Wiring — Gas Vehicle	SECTION 5
Electrical Component Box	5-2
Starter Generator — Mounting	5-4
Starter Generator Assembly	5-6
F&R Shifter Assembly	5-7
Reverse Buzzer	5-8
Battery	5-10
	5-11

ENGINE

Engine	SECTION 6
	6-2 — 6-12

FUEL AND INTAKE SYSTEM

Fuel System Assembly	SECTION 7
Carburetor Assembly	7-2
Governor Guard and Intake Hose	7-4
Expansion Chamber, Choke and Filter	7-6
Governor and Accelerator Cables	7-8
	7-10

EXHAUST SYSTEM

Exhaust System	SECTION 8
	8-2

TORQUE CONVERTER

Drive Clutch Assembly	SECTION 9
Driven Clutch Assembly	9-2
	9-4

TRANSMISSION AND GOVERNOR

Transmission and Governor Assembly	SECTION 10
	10-2

REAR SUSPENSION — GAS VEHICLE

Rear Suspension Assembly	SECTION 11
Inner Frame Assembly	11-2
	11-4

ELECTRICAL — ELECTRIC VEHICLE

Power Wiring — Electric Vehicle	SECTION 12
V-Glide Wiper Switch	12-2
Resistor and Board Assembly — V-Glide	12-4
Forward and Reverse Switch Assembly	12-6
Power Wiring — Solid State Controller	12-8
Forward and Reverse Switch — Solid State Controller	12-10
V-Glide Wiper Switch — Solid State Controller	12-12
Reverse Buzzer	12-14
	12-16

CHARGERS

Model 13800 Accu-Power	SECTION 13
Model 14000 Ultra-Power	13-2
	13-4

MOTOR

CLUB CAR Model #1012191 and #1014678	SECTION 14
	14-2

REAR SUSPENSION ASSEMBLY — ELECTRIC VEHICLE

Rear Suspension Assembly — Electric Vehicle	SECTION 15
	15-2

USING THE ILLUSTRATED PARTS LIST

This Parts List Manual is to be used for identification and ordering of Service Parts for the DS Gas and DS Electric golf cars.





The first four (4) sections include information common to both the DS Gas and DS Electric. Sections 5 through 11 contain information related solely to the DS Gas golf car while sections 12 through 15 relate solely to the DS Electric golf car.

The Manual Numerical Index will help provide quick reference to each section.

INDEX

GAS		G
------------	---	----------

ELECTRIC		E
-----------------	---	----------

BODY AND TRIM – FRONT AND REAR COVERS		1
DRIVE UNIT		2
BRAKES, PEDAL AND CABLE ASSEMBLY		3
STEERING AND FRONT SUSPENSION		4

INDEX

GAS



G




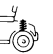
ELECTRICAL AND BATTERY		5
ENGINE		6
FUEL, INTAKE AND GOVERNOR SYSTEM		7
EXHAUST SYSTEM		8
TORQUE CONVERTER		9
TRANSMISSION AND GOVERNOR		10
REAR SUSPENSION		11

INDEX

ELECTRIC



E

ELECTRICAL		12
BATTERY CHARGER		13
MOTOR		14
REAR SUSPENSION		15

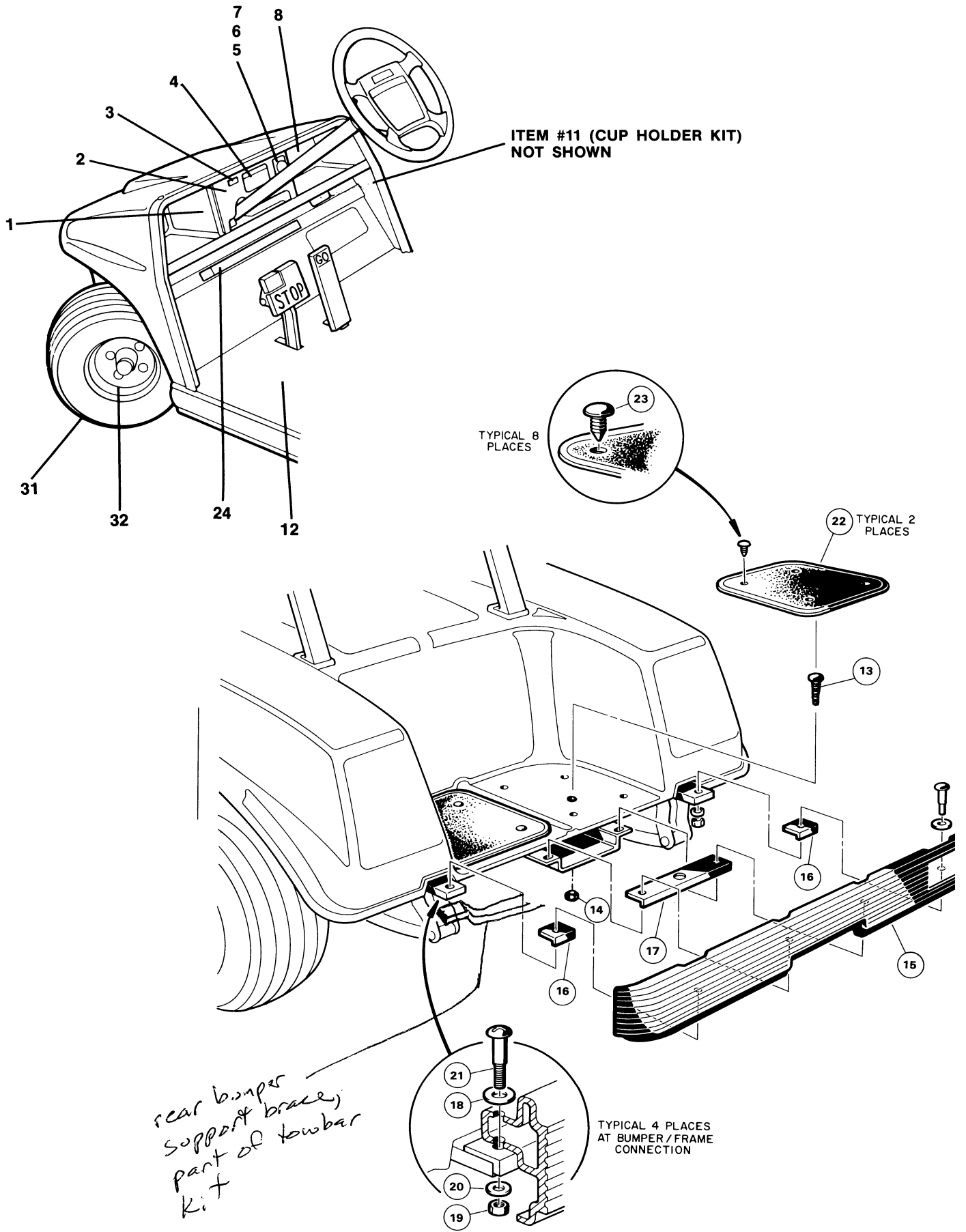
MAINTENANCE SERVICE TOOLS

DESCRIPTION	PART NO.
Internal Retaining Pliers	1013593
Brake Adjusting Tool	1013582
Volt Ohm Meter	1011480
Continuity Tester	1011273
Retaining Ring Pliers (45° External)	1012549
Retaining Ring Pliers (90° Internal)	1012560
Keyswitch Tool	1012801
Seal Puller	1012809
Bearing Puller	1012811
Bearing Puller Wedge Attachment	1012812
Tachometer	1016112
Drive Clutch Puller	1014496
Clutch Alignment Tool	1014498
Touch-Up Paint - Enamel Beige	1017096-01
Touch-Up Paint - Enamel White	1017096-02
Touch-Up Paint - Enamel Non-Standard	1017096-03
Touch-Up Paint - Enamel Gray	1017096-04
Touch-Up Paint - Enamel Green	1017096-05
Touch-Up Paint - Enamel Red	1017096-06
Touch-Up Paint - Enamel Light Blue	1017096-07
Touch-Up Paint - Lacquer Beige	1017097-01
Touch-Up Paint - Lacquer White	1017097-02
Touch-Up Paint - Lacquer Non-Standard	1017097-03
Touch-Up Paint - Lacquer Gray	1017097-04
Touch-Up Paint - Lacquer Green	1017097-05
Touch-Up Paint - Lacquer Red	1017097-06
Touch-Up Paint - Lacquer Light Blue	1017097-07
Transmission Tool Kit	1014115
Drive Unit Pinion Seal Tool	1014161
Drive Unit Axle Seal Tool	1014162
Steering Column Bearing Press Tool	1014264
Steering Column Retaining Ring Tool	1014259
Battery Terminal Protector	1014305
Dry Moly Lubricant	1012151
Flexible Cowl Repair Kit	1014963
Hydrometer	1011478
Battery Tester (Discharge Machine)	1010687
Battery Thermometer	1011767
Fly Wheel Puller Kit	1016627
Valve Seat Cutter Holder Bar	1016551
Valve Seat Cutter Holder	1016552
Valve Seat Cutter 45° (32mm Diameter)	1016553
Valve Seat Cutter 45° (35mm Diameter)	1016554
Valve Seat Cutter 32° (35mm Diameter)	1016555
Clutch Tool Kit	1014510
Spring Tune-Up Kit (OHV Engine)	1016110-02
Compression Gauge	1016410-01
Adapter	1016410-02
Valve Spring Compressor	1016411-01
Adapter	1016411-02
Valve Guide Reamer	1016412-01
Arbor	1016412-02
Valve Clearance Adjuster Screw Holder	1016413
Piston Ring Compressor Kit	1016414
Piston Ring Plier	1016415
Bearing Driver Set	1016416
Bearing and Oil Seal Remover Assembly	1016417
Gear Yoke	1016418
Generator Belt Tension Tool	1016867
Muffler Spring Tool	1016712

Please refer to the Maintenance and Service Manual for proper tool application.

Section 1

BODY AND TRIM FRONT AND REAR COVERS



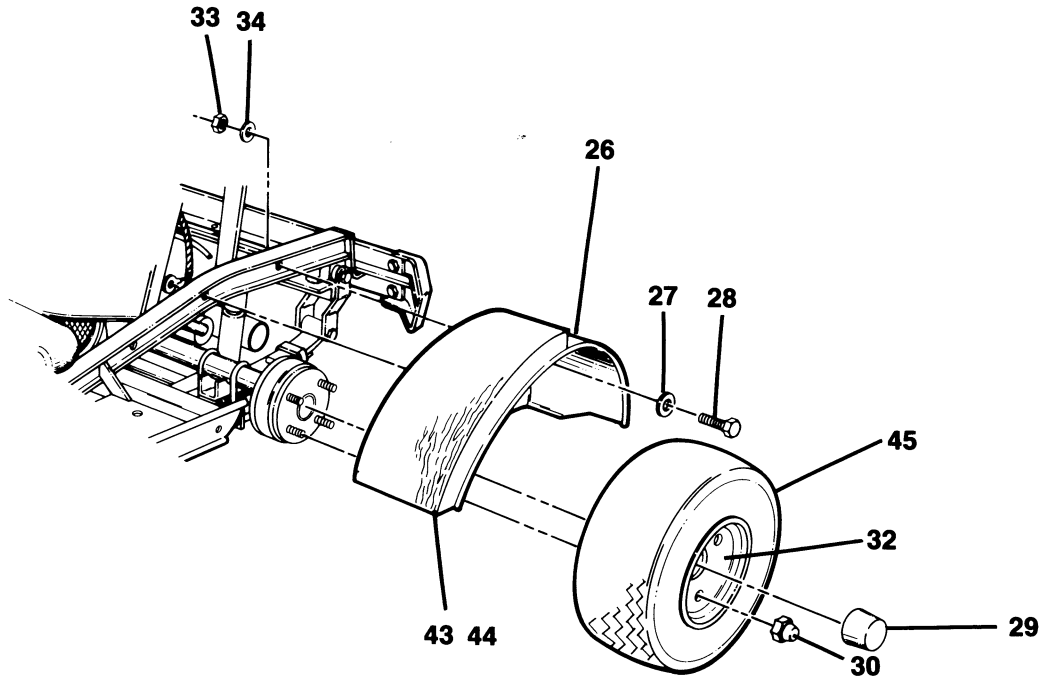
BODY AND TRIM

BODY AND TRIM

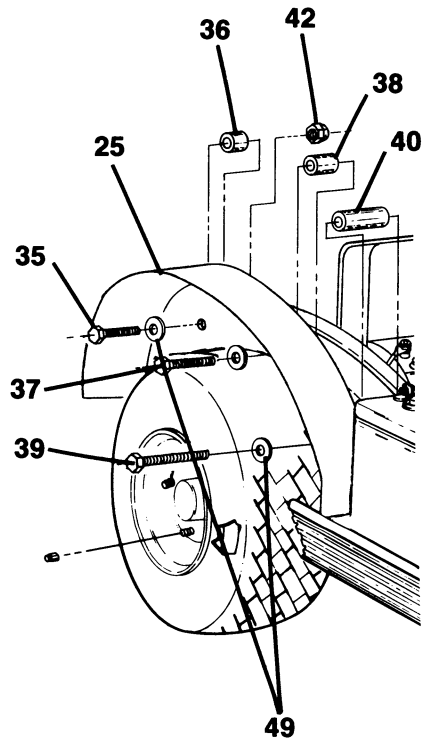
ITEM NUMBER	PART NUMBER	1 2 3 4	DESCRIPTION	UNITS PER VEHICLE	
				GAS	ELECTRIC
1	1013980		DASH COMPONENT, LEFT (TAN)	1	1
1	1013344		DASH COMPONENT, LEFT (BLACK)	1	1
2	1016604-01		CENTER DASH PANEL (TAN)		1
2	1016620-01		CENTER DASH PANEL WITH OIL LIGHT OPENING (TAN)	1	
2	1016604-02		CENTER DASH PANEL (BLACK)		1
2	1016620-02		CENTER DASH PANEL WITH OIL LIGHT OPENING (BLACK)	1	
2	1016620-03		CENTER DASH PANEL WITH OIL LIGHT AND FUEL GAUGE (BLACK)	1	
3	1016630		OIL LIGHT	1	
4	1013390		DECAL, GOLF ETIQUETTE	1	1
5	1012415		SWITCH, KEY (INCLUDES 2 KEYS) 12 VOLT	1	
5	1012531		SWITCH, KEY (INCLUDES 2 KEYS) 36 VOLT	1	
6	1012505		KEY		1
7	1012530		DECAL, ON/OFF	PAIR	
8	1013979		DASH COMPONENT, RIGHT (TAN)	1	1
8	1013343		DASH COMPONENT, RIGHT (BLACK)	1	1
9	7848		SCREW - 1/4"-14 X 3/4" HEX HEAD CAP SCREW	6	6
10	1016952		1/4-20 U-NUT	2	2
11	1017083-01		CUP HOLDER KIT	2	2
			INCLUDES ITEMS 9 AND 10		
12	1015032		MAT, FLOOR	1	1
13	8251		SCREW, PHILLIPS TRUSS HEAD, 1/4-20	2	2
14	8233		LOCKNUT, NYLON, 1/4-20	2	2
15	1016379		REAR BUMPER	1	1
16	1016874		MOUNTING PLATE — SHORT	2	2
17	1016875		MOUNTING PLATE — LONG	2	2
18	1017042		3/8 FLATWASHER (BLACK)	4	4
19	8986		LOCKNUT, 5/16-18 DIMPLED	4	4
20	1241		FLATWASHER, 5/16	4	4
21	1016876		3/8 X .98 PHILLIPS TRUSS HEAD SHOULDER BOLT	4	4
22	1014392		MAT, BAG WELL	2	2
23	1010434		FASTENER, PLASTIC BARREL	8	8
24	1014883		DASH WARNING DECAL	1	1
25	1017073		FENDER, INNER — RIGHT	1	1
26	1016968		FENDER, INNER — LEFT	1	1
27	332		FLATWASHER, 1/4"	6	
28	304		BOLT, 1/4-20 X 1" HEX	6	
29	1012186		SEAL, DUST	2	2
30	1010984		NUT, LUG 1/2-20	16	16
31	1015705-01		TIRE AND WHEEL ASSEMBLY, BEIGE (STANDARD RIB)	4	4
31	1015705-02		TIRE AND WHEEL ASSEMBLY, BEIGE (POWER RIB)	4	4
31	1015705-03		TIRE AND WHEEL ASSEMBLY, BEIGE (X-TRA TRAC TERRA)	4	4
31	1015705-04		TIRE AND WHEEL ASSEMBLY, BEIGE (WHITE WALL POWER RIB)	4	4
31	1015705-05		TIRE AND WHEEL ASSEMBLY, BEIGE (TERRAGARD)	4	4
31	1016514-01		TIRE AND WHEEL ASSEMBLY, WHITE (STANDARD RIB)	4	4
31	1016514-02		TIRE AND WHEEL ASSEMBLY, WHITE (POWER RIB)	4	4
31	1016514-03		TIRE AND WHEEL ASSEMBLY, WHITE (SOFT TRAC)	4	4
31	1016514-04		TIRE AND WHEEL ASSEMBLY, WHITE (WHITE WALL POWER RIB)	4	4
31	1016514-05		TIRE AND WHEEL ASSEMBLY, WHITE (TERRAGARD)	4	4
32	1015707		WHEEL RIM (BEIGE) (UNMOUNTED RIMS NOT SHOWN)	4	4
32	1014771		WHEEL RIM (WHITE) (UNMOUNTED RIMS NOT SHOWN)	4	4

G
E
1

GAS



ELECTRIC

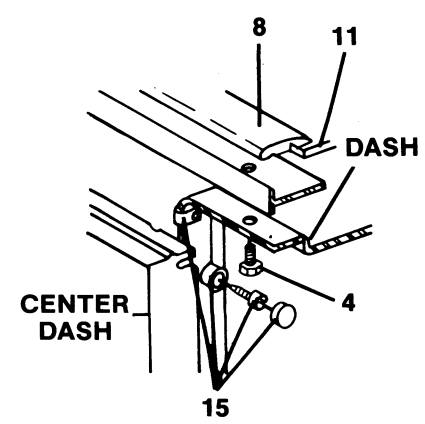
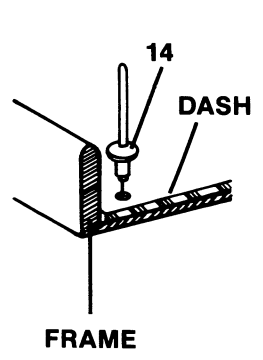
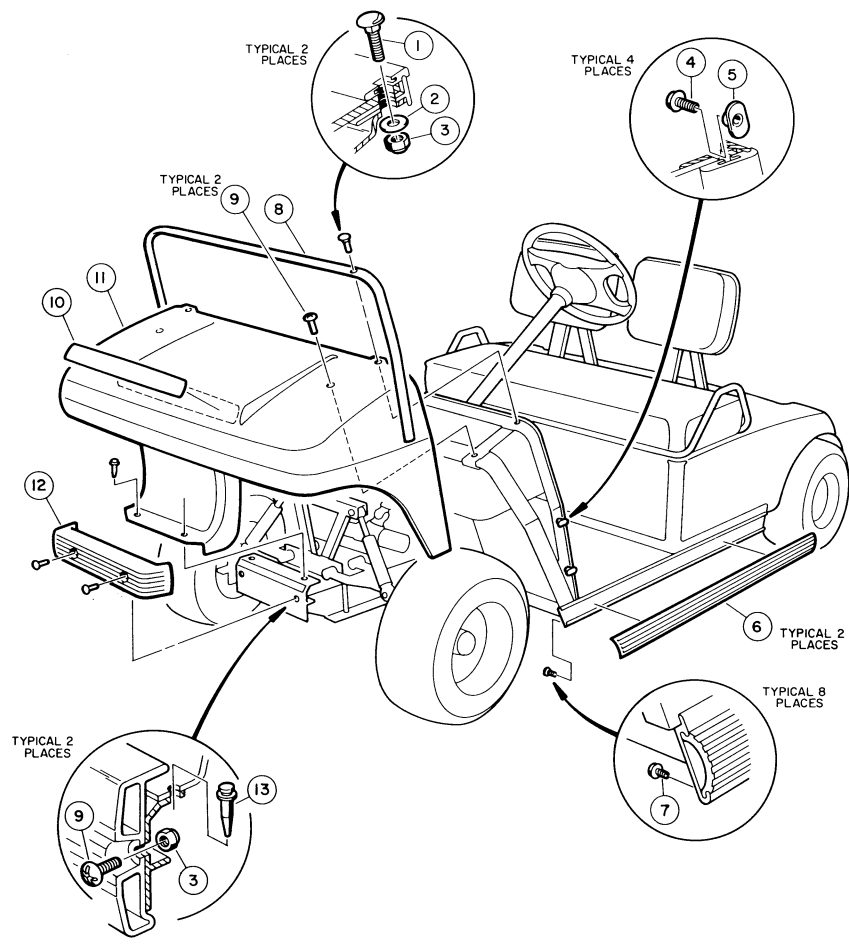


BODY AND TRIM (CONTINUED)

BODY AND TRIM (CONTINUED)

ITEM NUMBER	PART NUMBER	1 2 3 4	DESCRIPTION	UNITS PER VEHICLE	
				GAS	ELECTRIC
33	1028		NUT, 1/4-20 HEX		
34	451		LOCKWASHER, 1/4	6	
35	1013509		BOLT, HEX HEAD, 1/4-20 X 1-3/4"	6	
36	1013507		SPACER, 1"		2
37	343		BOLT, HEX HEAD, 1/4-20 X 3"		2
38	1013506		SPACER, 2-1/8"		2
39	1012462		BOLT, HEX HEAD, 1/4-20 X 3-1/2"		2
40	1013508		SPACER, 2-3/4"		2
41	332		FLATWASHER, 1/4"		2
42	8233		LOCKNUT, 1/4-20 UNC		6
43	1015421		SOUND INSULATION (LEFT)		6
44	1015422		SOUND INSULATION (RIGHT)	1	
45	1015672		TIRE — UNMOUNTED (POWER RIB)	1	
45	1015674		TIRE — UNMOUNTED (SOFT TRAC)	4	4
45	7271		TIRE — UNMOUNTED (STANDARD RIB)	4	4

G
E
1

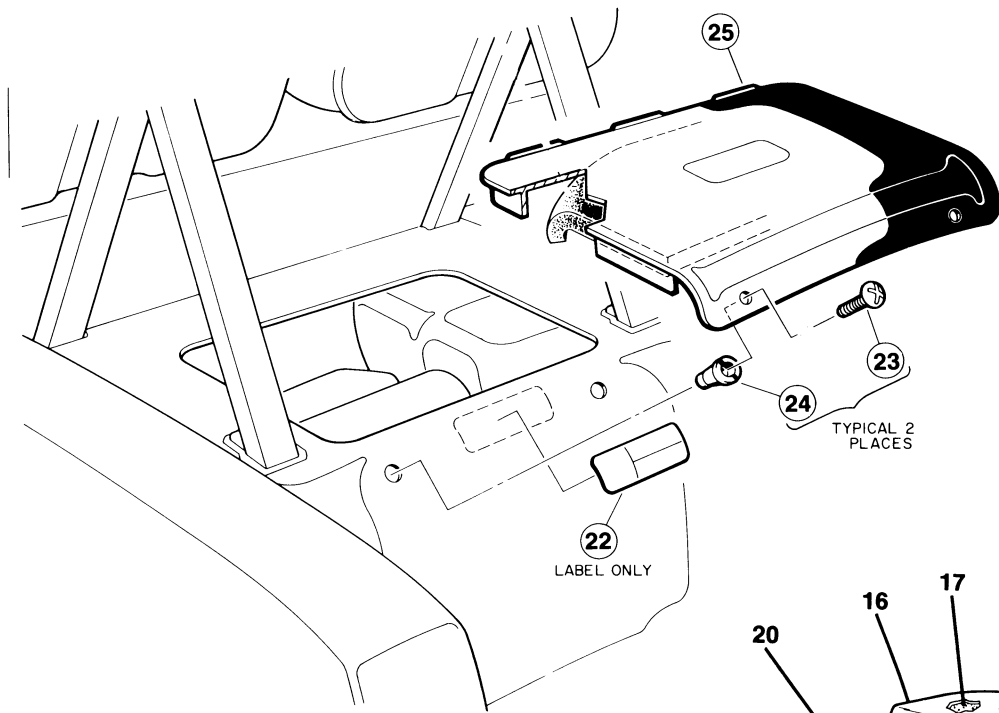


COVERS — FRONT

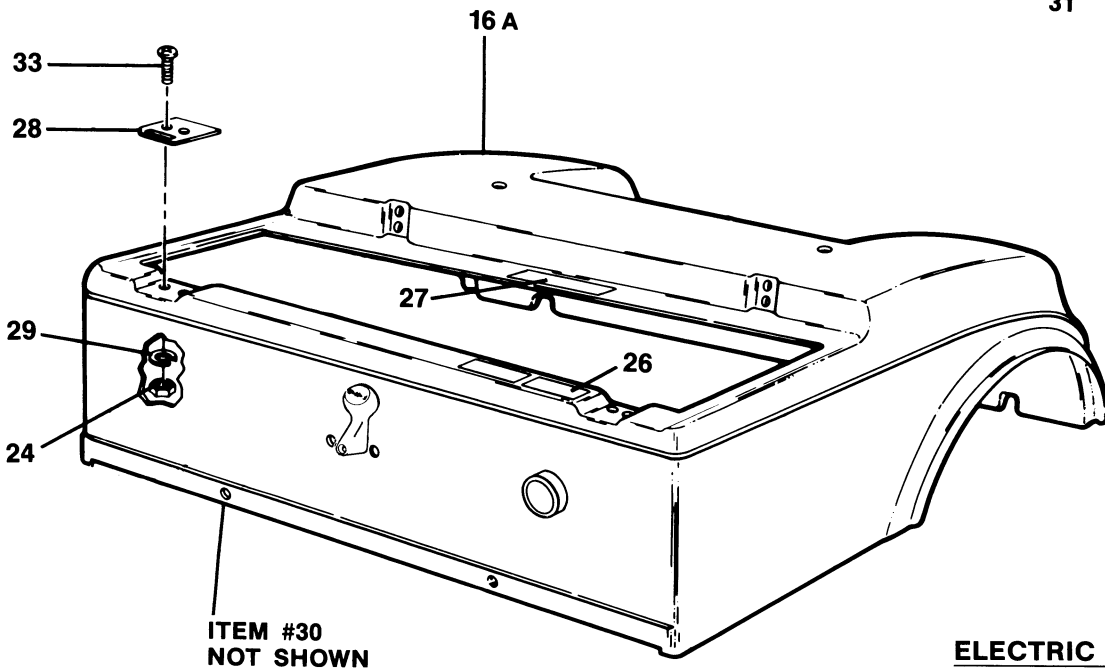
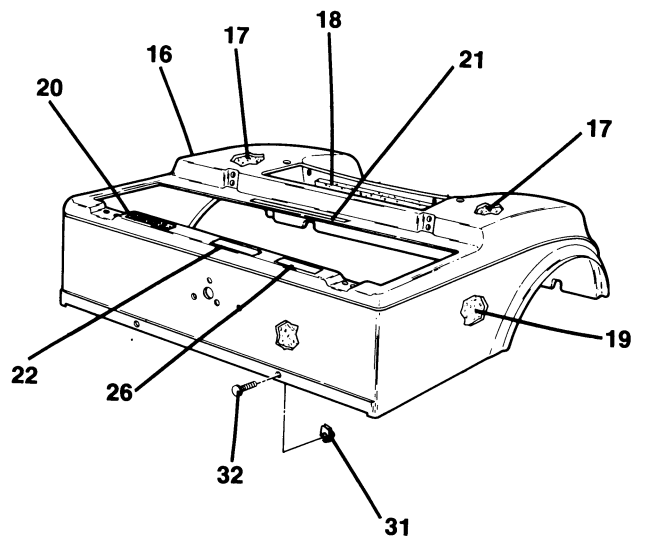
COVERS — FRONT

ITEM NUMBER	PART NUMBER	1 2 3 4	DESCRIPTION	UNITS PER VEHICLE	
				GAS	ELECTRIC
1	1010435		CARRIAGE BOLT, 5/16-18 UNC-2A		
2	1241		5/16 FLATWASHER	2	2
3	1017180		LOCKNUT, 5/16-18 UNC-2B (BLACK)	2	2
4	1011017		FLANGE LOCK SCREW	2	2
5	1011394		SLAB BASE "T" NUT PACKAGE (4 PIECES)	6	6
6	1013983		BUMPER, SIDE GUARD	1	1
7	1012047		SCREW, #8-32 SELF TAPPING	2	2
8	1011014		COWL TRIM	8	8
9	1017177		SCREW, 5/16-18 X 1.00 PHILLIPS HEAD TRUSS	1	1
10	1014198		NAMEPLATE KIT	2	2
11	1016925-01		COWL (BEIGE)	1	1
11	1016925-02		COWL (WHITE)	1	1
11	1016925-03		COWL (NON-STANDARD)	1	1
11	1016925-04		COWL (GRAY)	1	1
11	1016925-05		COWL (GREEN)	1	1
11	1016925-06		COWL (RED)	1	1
11	1016925-07		COWL (LIGHT BLUE)	1	1
11	1016939-01		COWL WITH HEADLIGHT OPENING (BEIGE)	1	1
11	1016939-02		COWL WITH HEADLIGHT OPENING (WHITE)	1	1
11	1016939-03		COWL WITH HEADLIGHT OPENING (NON-STANDARD)	1	1
11	1016939-04		COWL WITH HEADLIGHT OPENING (GRAY)	1	1
11	1016939-05		COWL WITH HEADLIGHT OPENING (GREEN)	1	1
11	1016939-06		COWL WITH HEADLIGHT OPENING (RED)	1	1
11	1016939-07		COWL WITH HEADLIGHT OPENING (LIGHT BLUE)	1	1
12	1016868		BUMPER, FRONT	1	1
13	1016967		BLIND RIVET	1	1
14	7973		POP RIVET, 3/16 X 1/2"	2	2
15	1013986		SNAP WASHER KIT (BROWN)	7	7
15	1014645		SNAP WASHER KIT (BLACK)	2	2

G
E
1



GAS VEHICLE



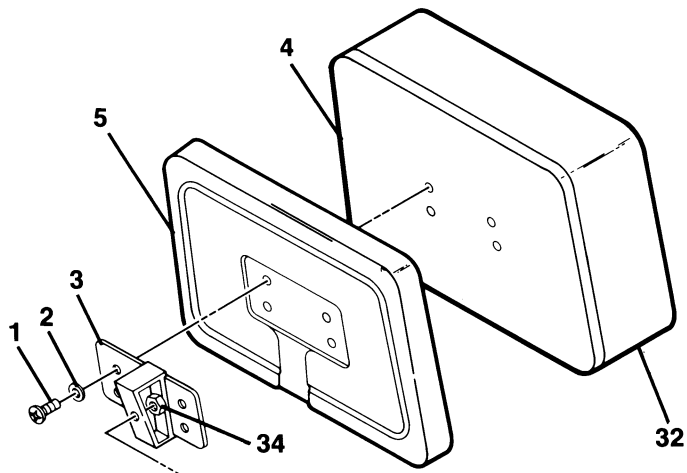
ELECTRIC VEHICLE

COVERS — REAR

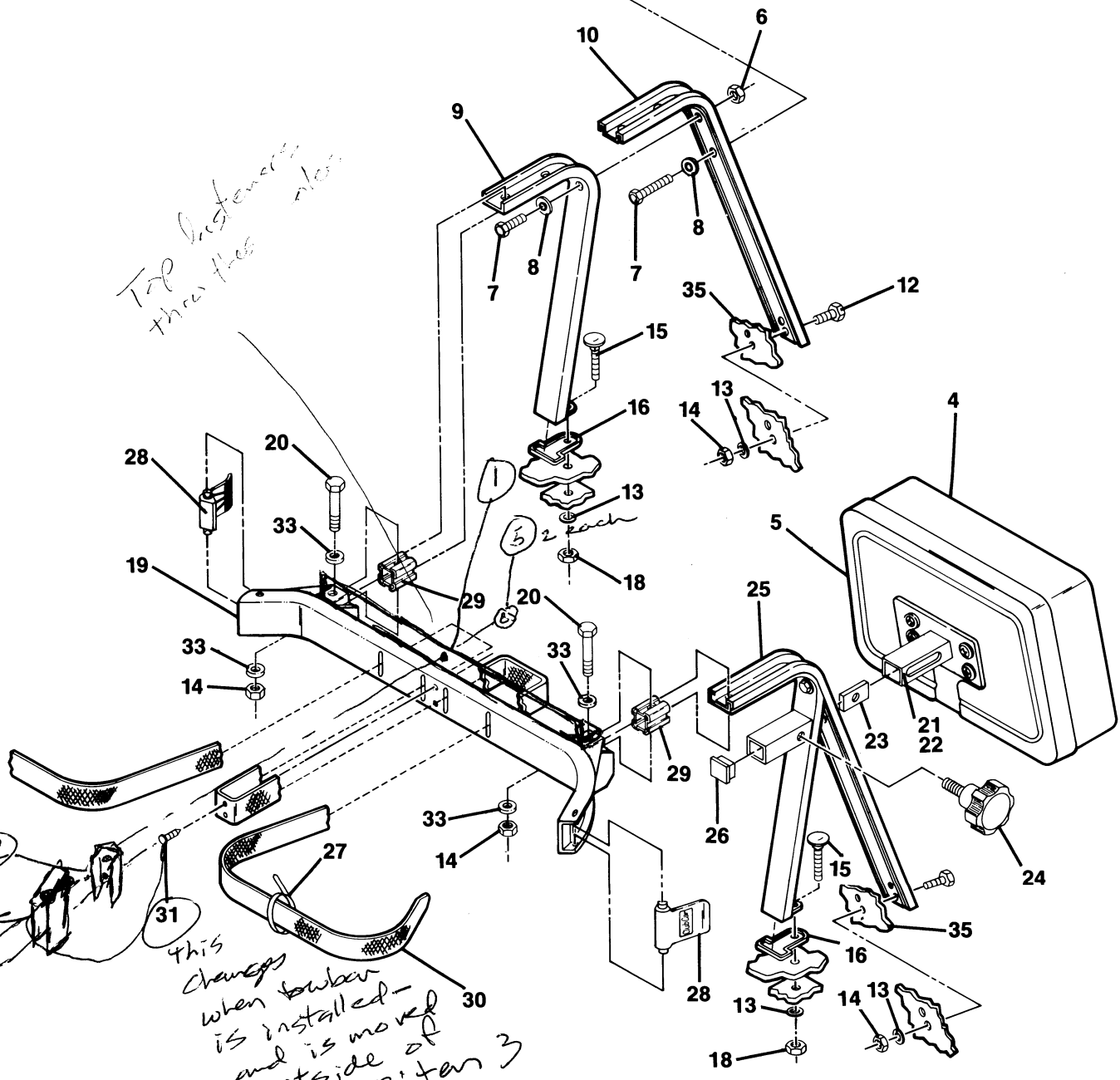
COVERS — REAR

ITEM NUMBER	PART NUMBER	1 2 3 4	DESCRIPTION	UNITS PER VEHICLE	UNITS PER VEHICLE
				GAS	ELECTRIC
16	1016926-01		BODY (BEIGE)	1	
16	1016926-02		BODY (WHITE)	1	
16	1016926-03		BODY (NON-STANDARD)	1	
16	1016926-04		BODY (GRAY)	1	
16	1016926-05		BODY (GREEN)	1	
16	1016926-06		BODY (RED)	1	
16	1016926-07		BODY (LIGHT BLUE)	1	
16A	1016933-01		BODY (BEIGE)		1
16A	1016933-02		BODY (WHITE)		1
16A	1016933-03		BODY (NON-STANDARD)		1
16A	1016933-04		BODY (GRAY)		1
16A	1016933-05		BODY (GREEN)		1
16A	1016933-06		BODY (RED)		1
16A	1016933-07		BODY (LIGHT BLUE)		1
16A	1016962-01		BODY WITH TAILLIGHT OPENINGS (BEIGE)		1
16A	1016962-02		BODY WITH TAILLIGHT OPENINGS (WHITE)		1
16A	1016962-03		BODY WITH TAILLIGHT OPENINGS (NON-STANDARD)		1
16A	1016962-04		BODY WITH TAILLIGHT OPENINGS (GRAY)		1
16A	1016962-05		BODY WITH TAILLIGHT OPENINGS (GREEN)		1
16A	1016962-06		BODY WITH TAILLIGHT OPENINGS (RED)		1
16A	1016962-07		BODY WITH TAILLIGHT OPENINGS (LIGHT BLUE)		1
16	1016962-08		BODY WITH TAILLIGHT OPENINGS (BEIGE)	1	
16	1016962-09		BODY WITH TAILLIGHT OPENINGS (WHITE)	1	
16	1016962-10		BODY WITH TAILLIGHT OPENINGS (NON-STANDARD)	1	
16	1016962-11		BODY WITH TAILLIGHT OPENINGS (GRAY)	1	
16	1016962-12		BODY WITH TAILLIGHT OPENINGS (GREEN)	1	
16	1016962-13		BODY WITH TAILLIGHT OPENINGS (RED)	1	
16	1016962-14		BODY WITH TAILLIGHT OPENINGS (LIGHT BLUE)	1	
17	1015420		SOUND INSULATION	2	
18	1015419		SOUND INSULATION	1	
19	1016963		SOUND INSULATION	1	
20	1015476		GASOLINE TANK DANGER LABEL	1	
21	1016083		MANIFOLD WARNING LABEL	1	
22	1013392		WARNING: MOVING PARTS DECAL	2	
23	1017114		SCREW, 1/4-20 X 1 PHILLIPS HEAD (BLACK)	8	8
24	8233		LOCKNUT, 1/4-20 NYLON	4	4
24	1015525		1/4-20 BLIND NUT	2	
25	1015829-01		ACCESS PANEL (BEIGE) KIT	1	
25	1015829-02		ACCESS PANEL (BLACK) KIT	1	
26	1013677		BATTERY DANGER DECAL		1
27	1013496		RESISTOR WARNING DECAL		1
28	1012412		HINGE PLATE	2	2
29	332		FLATWASHER, 1/4"	4	4
30	1017141		BODY SUPPORT — FRONT (NOT SHOWN)	1	1
31	1016952		1/4-20 U-NUT	2	2
32	1014415		1/4-20 X 3/4" TORX TRUSS HEAD SCREW	2	2
33	8251		1/4-20 X 1" PHILLIPS HEAD SCREW	4	4

G
E
1



*Top fasteners
throw these*



zee

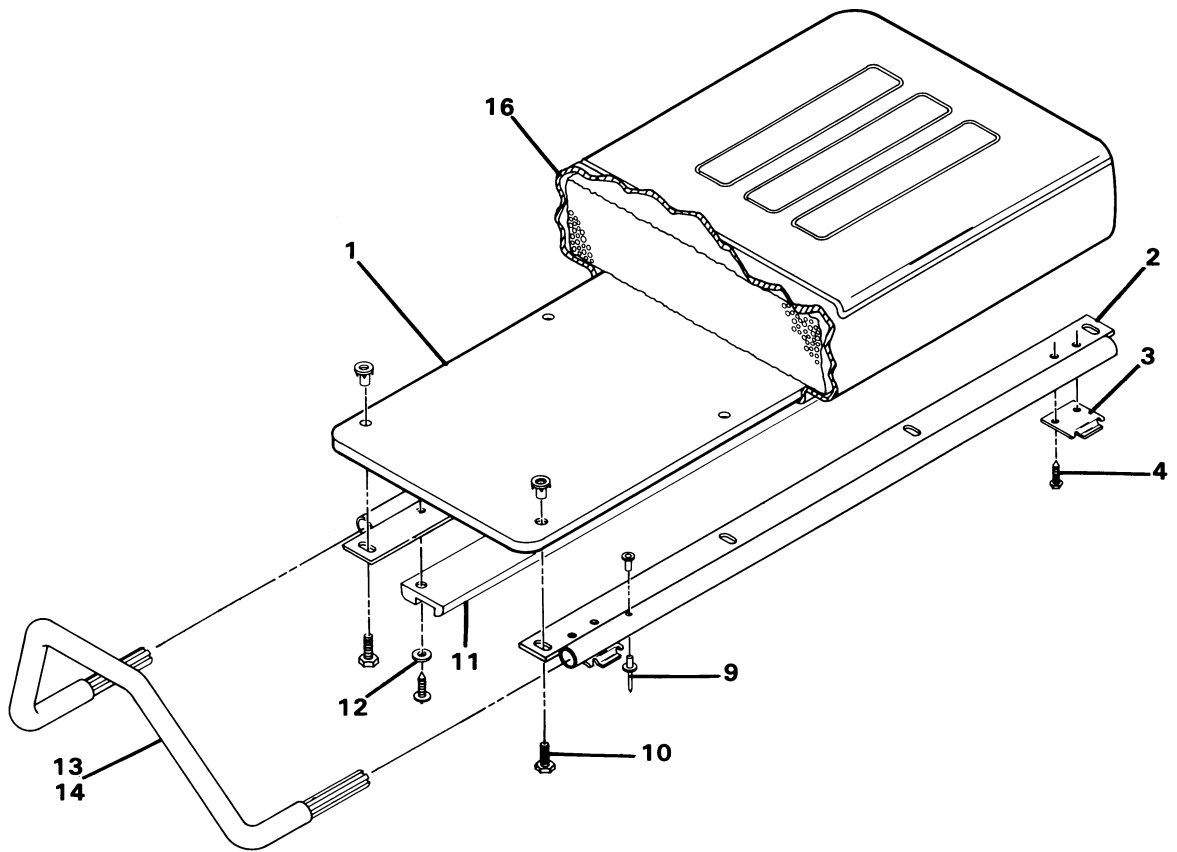
*this changes
when barber
is installed -
and is moved
outside of
pitan 3*

SEAT BACK AND BAG HOOP

SEAT BACK AND BAG HOOP

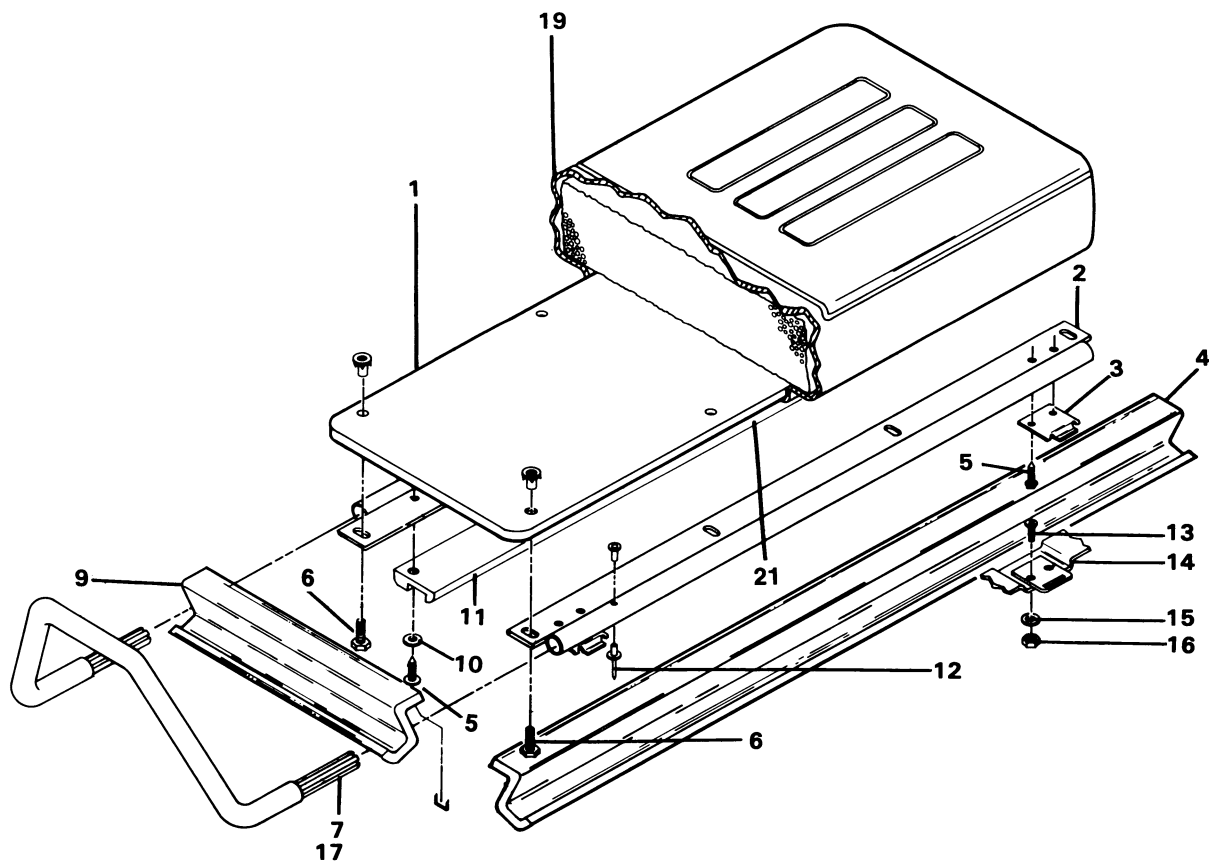
ITEM NUMBER	PART NUMBER	1 2 3 4	DESCRIPTION	UNITS PER VEHICLE	
				GAS	ELECTRIC
1	8248		SCREW, 1/4-20 X 3/4"	8	8
2	8304		LOCKWASHER, 1/4" INTERNAL TOOTH	8	8
3	1011716		PLATE MOUNTING ASSEMBLY	2	2
4	1015651-02		SEAT BACK ASSEMBLY — THICK BUNN (WHITE WITH BLACK CAP) INCLUDES ITEM 5	2	2
4	1015651-03		SEAT BACK ASSEMBLY — THICK BUNN (NON-STANDARD WITH BLACK CAP) INCLUDES ITEM 5	2	2
4	1015651-04		SEAT BACK ASSEMBLY — THICK BUNN (WHITE WITH TAN CAP) INCLUDES ITEM 5	2	2
4	1015651-05		SEAT BACK ASSEMBLY — THICK BUNN (BUFF WITH BLACK CAP) INCLUDES ITEM 5	2	2
5	1011231		CAP, SEAT BACK (TAN)	2	2
5	1013938		CAP, SEAT BACK (BROWN)	2	2
5	1013335		CAP, SEAT BACK (BLACK)	2	2
6	8233		LOCKNUT, 1/4-20 NYLON	2	2
7	7847		BOLT, HEX HEAD, 1/4-20 X 3/4"	4	4
8	332		FLATWASHER, 1/4"	6	6
9	1011710		KNEE BRACE WELD ASSEMBLY	2	2
10	1011708		MAIN SEAT BACK SUPPORT	2	2
12	1010577		BOLT, HEX HEAD, 5/16-18 X 1-1/2"	4	4
13	1241		FLATWASHER, 5/16"	6	6
14	7473		LOCKNUT, 5/16-18 NYLON	8	8
15	7818		BOLT, 5/16-18 X 1-1/2" CARRIAGE	2	2
16	1011706		MOUNTING PAD	2	2
18	1242		NUT, HEX, 5/16-18	2	2
19	1013935		BAG HOOP ASSEMBLY INCLUDES ITEMS 28, 30 AND 31	1	1
20	1017182		BOLT, HEX HEAD, 5/16-18 X 2-1/4" (BLACK)	2	2
21	1011794		ADJUSTABLE SEAT BACK KIT (OPTION) INCLUDES ITEMS 22-26	A/R	A/R
22	1011752		MOUNTING PLATE WELD ASSEMBLY	2	2
23	1010322		SEAT ADJUSTER LOCK	2	2
24	1011761		SEAT ADJUSTER KNOB	2	2
25	NO #		ADJUSTABLE SEAT BACK WELD ASSEMBLY (SEE ITEM 21)	2	2
26	1011760		TUBE PLUG	2	2
27	8639		TIE WRAP	1	1
28	1013754		BUCKLE	2	2
29	1013884		SPACER, BAG HOOP	2	2
30	1010413		BELT STRAP ASSEMBLY	1	1
31	1010434		PLASTIC BARRELS (BLACK)	2	2
32	1015626-01		VINYL COVER - SEAT BACK (BUFF)	A/R	A/R
32	1015626-02		VINYL COVER - SEAT BACK (WHITE)	A/R	A/R
32	1015626-03		VINYL COVER - SEAT BACK (NON-STANDARD)	A/R	A/R
33	1017173		FLATWASHER, 5/16" (BLACK)	4	4
34	1015661		1/4-20 FLANGE LOCKNUTS	2	2
35	1017138		BODY SUPPORT — REAR	1	1

G
E
1



SEAT BOTTOM AND ARMREST — ELECTRIC VEHICLE

ITEM NUMBER	PART NUMBER	1 2 3 4				DESCRIPTION	UNITS PER VEHICLE
		1	2	3	4		
1	1015648-04					SEAT BOTTOM ASSEMBLY, (BUFF)	1
1	1015648-05					SEAT BOTTOM ASSEMBLY, (WHITE)	1
1	1015648-06					SEAT BOTTOM ASSEMBLY, (NON-STANDARD)	1
2	1015625					BRACKET, SEAT SUPPORT	2
3	1011652					PLATE, SEAT HINGE	2
4	1011451					SCREW, #12 TYPE AB	9
9	1012327					RIVET, 3/16" MATING	4
10	304					BOLT, 1/4-20 HEX	8
11	1012597					BUMPER, SEAT	1
12	183					WASHER, #10 FLAT	3
13	1011786					LEFT ARMREST ASSEMBLY	1
14	1011780					RIGHT ARMREST ASSEMBLY	1
15	1015670					ARMREST SEAT BOTTOM ASSEMBLY KIT INCLUDES ITEMS 2, 9, 13 AND 14	1
16	1015627-01					VINYL COVER - SEAT BOTTOM (BUFF)	A/R
16	1015627-02					VINYL COVER - SEAT BOTTOM (WHITE)	A/R
16	1015627-03					VINYL COVER - SEAT BOTTOM (NON-STANDARD)	A/R



SEAT BOTTOM AND ARMREST ASSEMBLY — GAS VEHICLE

ITEM NUMBER	PART NUMBER	1 2 3 4	DESCRIPTION	UNITS PER VEHICLE
1	1015648-04		SEAT BOTTOM ASSEMBLY (BUFF)	1
1	1015648-05		SEAT BOTTOM ASSEMBLY (WHITE)	1
1	1015648-06		SEAT BOTTOM ASSEMBLY (NON STANDARD)	1
2	1015625		BRACKET, SEAT SUPPORT	2
3	1011652		PLATE, SEAT HINGE	2
4	1012657		GASKET, SEAT (LONG)	1
5	1011451		SCREW, #12 TYPE AB	9
6	304		BOLT, 1/4-20 HEX	8
7	1011786		LEFT ARMREST ASSEMBLY	1
9	1012656		GASKET, SEAT (SHORT)	2
10	183		WASHER, #10 FLAT	5
11	1012597		BUMPER, SEAT	1
12	1012327		RIVET, 3/16 MATING	4
13	8251		SCREW, 1/4-20 PHILLIPS HEAD	4
14	1012412		PLATE, BODY HINGE	2
15	332		WASHER, 1/4 FLAT	4
16	8233		NUT, 1/4-20 NYLON LOCK	4
17	1011780		RIGHT ARMREST ASSEMBLY	1
19	1015627-01		VINYL COVER - SEAT BOTTOM (BUFF)	A/R
19	1015627-02		VINYL COVER - SEAT BOTTOM (WHITE)	A/R
19	1015627-03		VINYL COVER - SEAT BOTTOM (NON STANDARD)	A/R
20	1015670		ARMREST SEAT BOTTOM ASSEMBLY KIT INCLUDES ITEMS 2, 12, 7 AND 17	1
21	1015417		SOUND INSULATION (NOT SHOWN)	1
22	1016623		INSULATION RETAINER (NOT SHOWN)	2

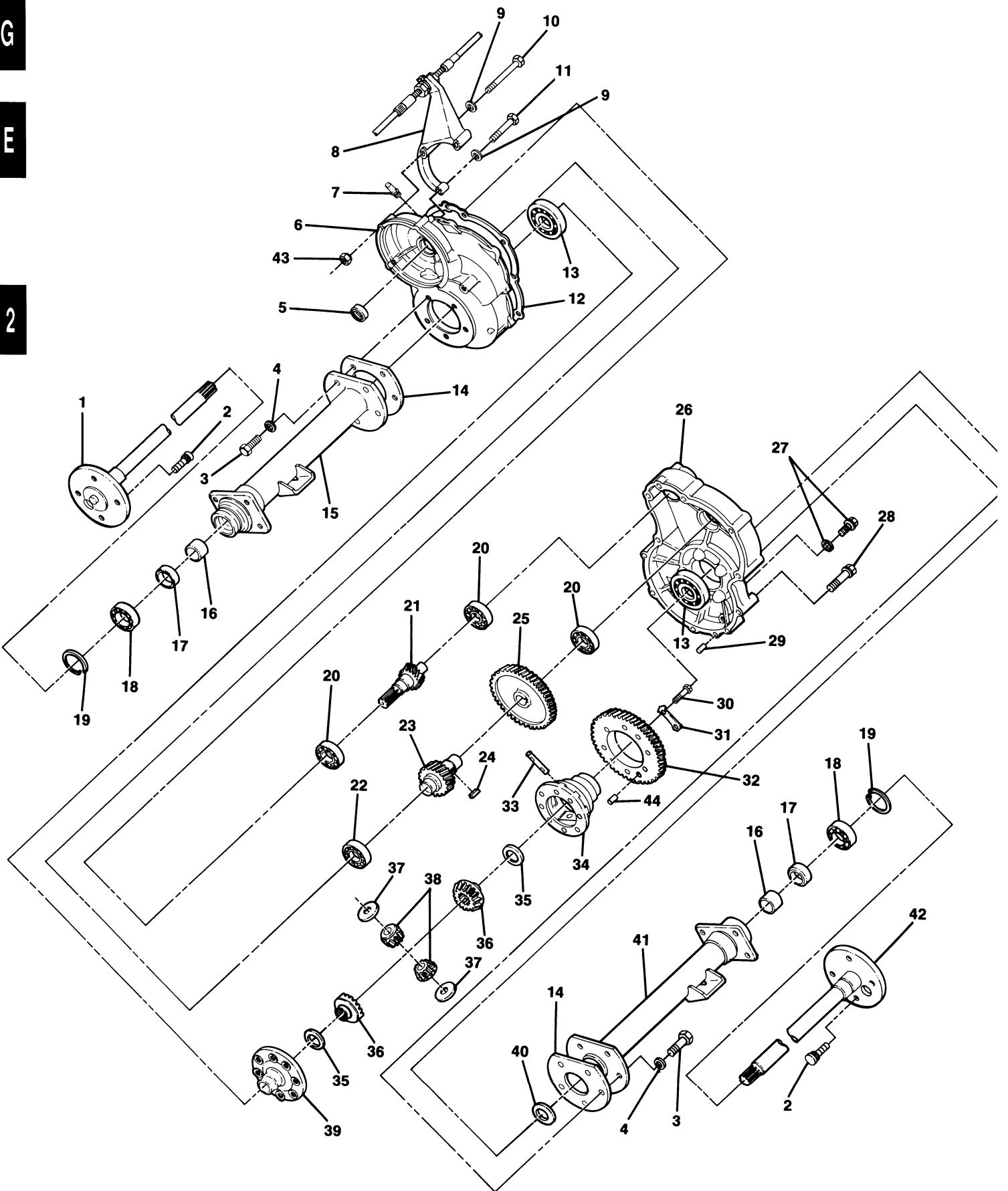
G

E

1

Section 2

DRIVE UNIT



DRIVE UNIT

DRIVE UNIT

ITEM NUMBER	PART NUMBER	1 2 3 4				DESCRIPTION	UNITS PER VEHICLE
	1013664					DRIVE UNIT	1
1	1013785					INCLUDES ALL ITEMS EXCEPT 8, 9, 10, 11 AND 43 AXLE ASSEMBLY, RIGHT	1
2	1013787					INCLUDES ITEMS 2, 16, 18 AND 19 LUG STUD	8
3	1013790					BOLT (10 X 30)	10
4	1013791					LOCKWASHER	10
5	1013775					INPUT SHAFT OIL SEAL	1
6	1013756					GEAR CASE — RIGHT HAND	1
7	1012711					BREATHER PLUG	1
8	1013866					SHIFT CABLE SUPPORT BRACKET KIT (GAS VEHICLE ONLY) INCLUDES ITEMS 9, 10, 11 AND 43	1
9	332					1/4" FLATWASHER	6
10	1013872					1/4-20 X 4" HEX BOLT	2
11	1012462					1/4-20 X 3-1/2" HEX BOLT	1
12	1013758					GASKET	1
13	7330					INNER AXLE, TUBE BEARING	2
14	1013789					GASKET — AXLE TUBE	2
15	1014209					AXLE TUBE ASSEMBLY — RIGHT HAND	1
16	1014207					BUSHING WITH GROOVE IN END	1
17	1013794					AXLE SHAFT OIL SEAL	2
18	1011291					OUTER AXLE TUBE BEARING	2
19	1013792					CIRCLIP, TYPE-C	2
20	7335					INPUT GEAR BEARING	3
21	1013764					SHAFT, INPUT	1
22	7336					INTERMEDIATE GEAR BEARING	1
23	1013766					INTERMEDIATE GEAR — SMALL	1
24	1013780					KEY, SUNK	1
25	1013765					INTERMEDIATE GEAR — LARGE	1
26	1013757					GEAR CASE — LEFT HAND	1
27	1013759					FILL PLUG WITH GASKET	2
28	1013763					BOLT (6 X 50)	10
29	1012710					PIN, DOWEL	2
30	1013779					BOLT (8 X 37)	8
31	1013782					PLATE, LOCK	4
32	1013767					OUTPUT GEAR	1
33	1013772					DIFFERENTIAL PIN	1
34	1013768					DIFFERENTIAL GEAR CASE — LEFT HAND	1
35	1013773					PLATE, THRUST (DIFFERENTIAL GEAR)	2
36	1013771					DIFFERENTIAL GEAR	2
37	1013774					PLATE, THRUST (IDLER GEAR)	2
38	1013770					DIFFERENTIAL IDLER GEAR	2
39	1013769					DIFFERENTIAL GEAR CASE — RIGHT HAND	1
40	1013781					SHIM	A/R
41	1014210					AXLE TUBE ASSEMBLY — LEFT HAND	1
42	1013786					AXLE ASSEMBLY, LEFT INCLUDES ITEMS 2, 16, 18 AND 19	1
43	8233					1/4-20 NYLON LOCKNUT	3
44	1014193					PIN, DOWEL	1

G

E

2

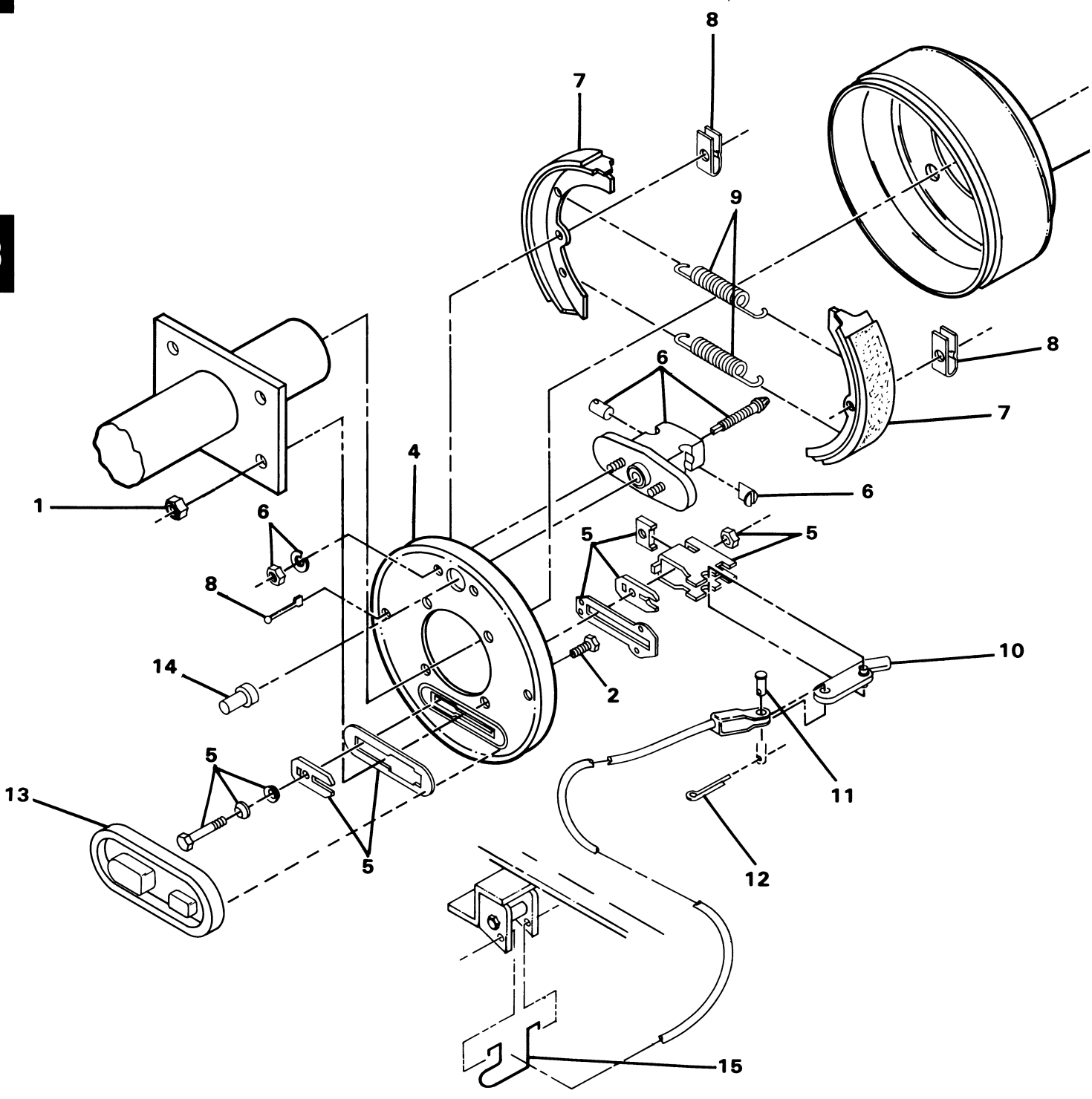
G

E

2

Section 3

BRAKES, PEDAL AND CABLE ASSEMBLY



BRAKE CLUSTER, RIGHT HAND AND LEFT HAND

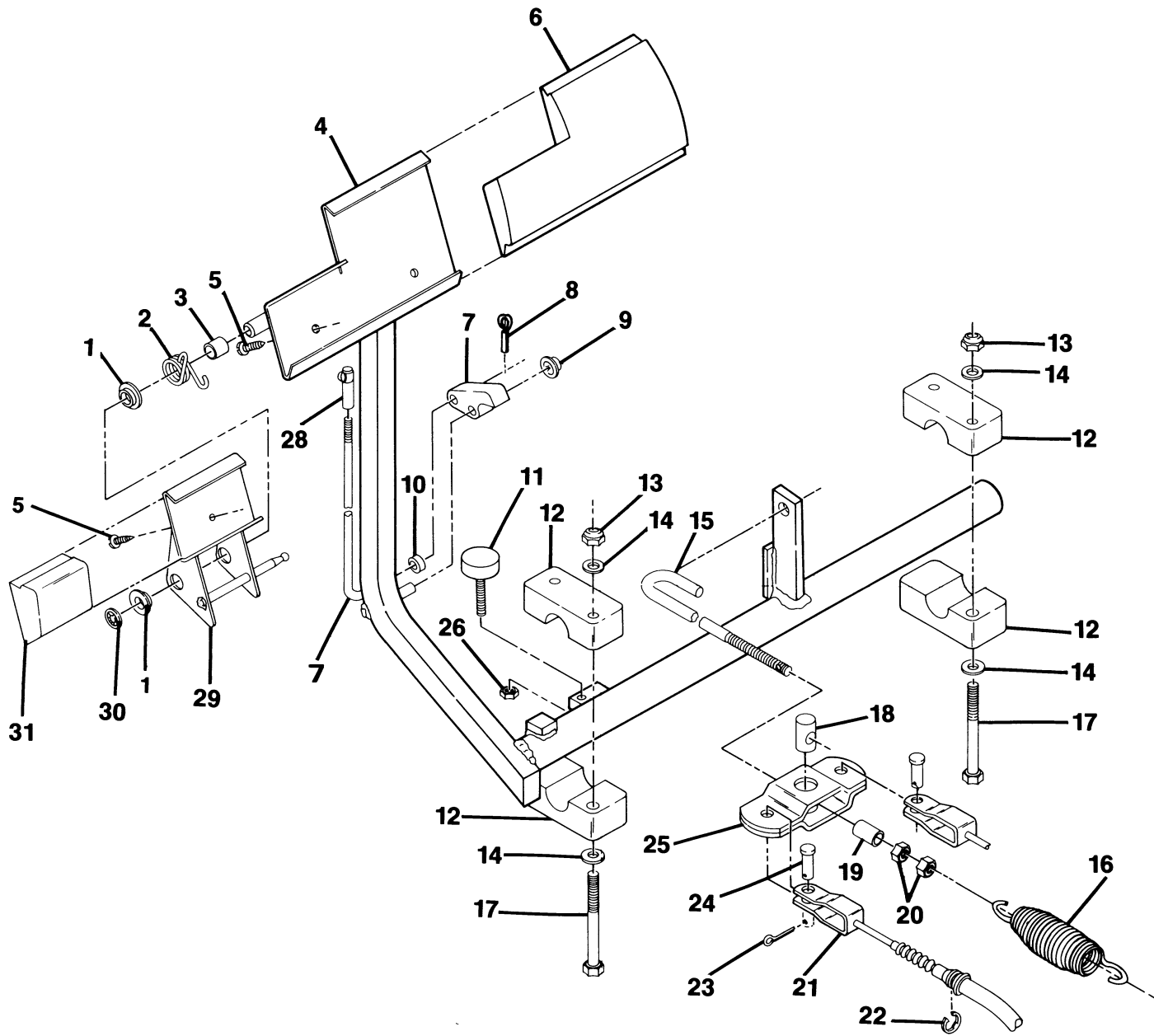
BRAKE CLUSTER, RIGHT HAND AND LEFT HAND

ITEM NUMBER	PART NUMBER	1 2 3 4 DESCRIPTION	UNITS PER VEHICLE
	1011146	RIGHT HAND BRAKE CLUSTER COMPLETE INCLUDES ITEMS 4 THRU 14	1
	1011145	LEFT HAND BRAKE CLUSTER COMPLETE INCLUDES ITEMS 4 THRU 14	1
1	1013924	LOCKNUT, 5/16-24, GRADE 8	8
2	1014153	BOLT, BRAKE CLUSTER MOUNTING	8
3	1011137	DRUM, BRAKE	2
4	1011494	PLATE BACKING, LEFT HAND	1
4	1011154	PLATE BACKING, RIGHT HAND	1
5	1011465	BRAKE ACTUATOR KIT	1
6	1011467	ANCHOR BODY KIT	1
7	1011463	BRAKE SHOE PACKAGE (4 PIECES)	1
8	1011466	SHOE RETAINER KIT	1
9	1011464	BRAKE SPRING PACKAGE	1
10	1011297	ARM, BRAKE LEVER	2
11	1010829	PIN, 5/16" CLEVIS	2
12	1035	PIN, COTTER	2
13	1010850	COVER, DUST	2
14	1011303	CAP, ADJUSTMENT BOLT	2
15	1013207	BRAKE CABLE HANGER	2

G

E

3



BRAKE PEDAL AND CABLE ASSEMBLY

BRAKE PEDAL AND CABLE ASSEMBLY

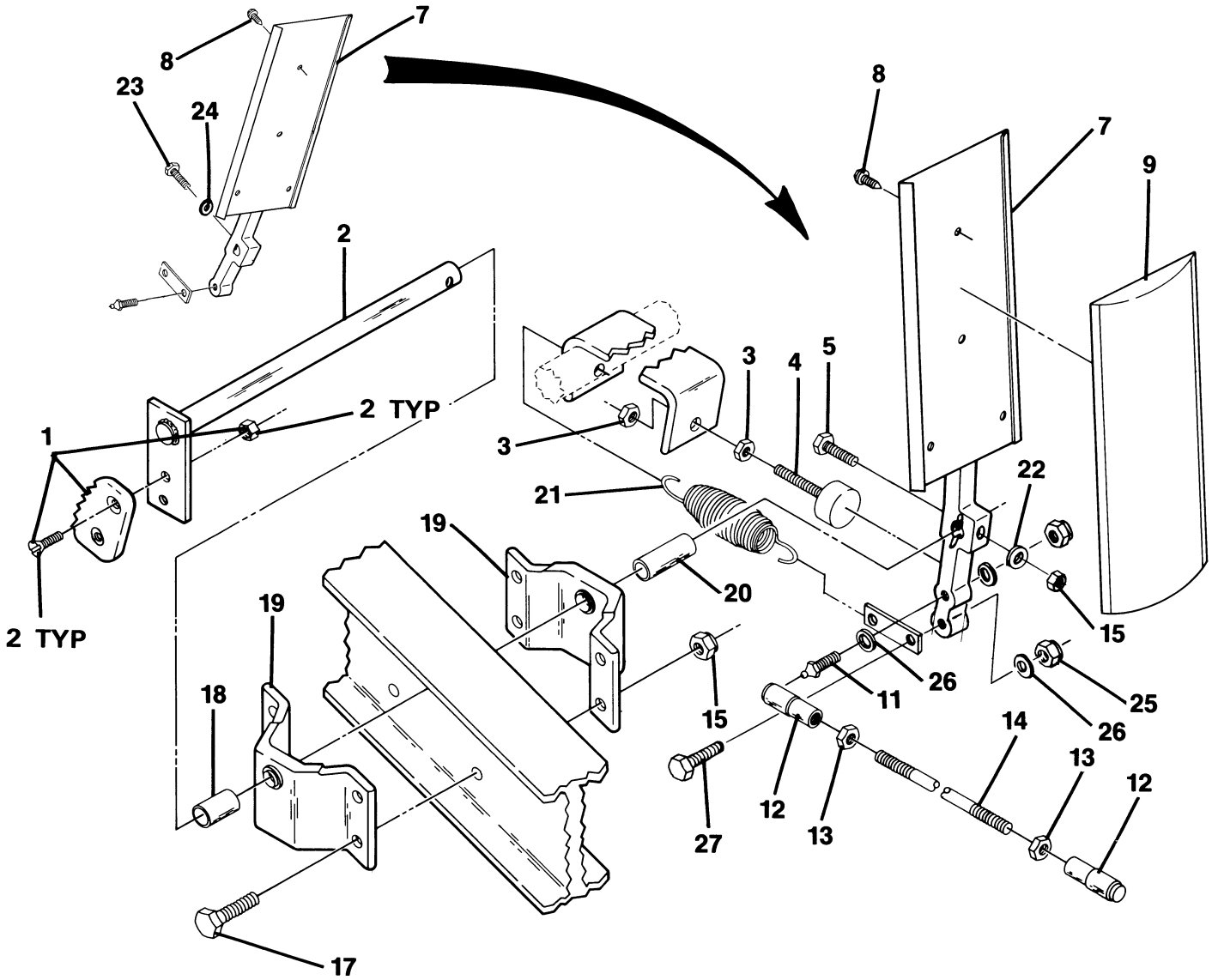
ITEM NUMBER	PART NUMBER	1 2 3 4				DESCRIPTION	UNITS PER VEHICLE
1	1032					NYLON BUSHING	2
2	1010933					TORSION SPRING	1
3	1010927					HILL BRAKE SPACER	1
4	1011406					BRAKE PEDAL KIT INCLUDES ITEMS 5 & 6	1
5	7716					SCREW, NO. 10-16 SHEET METAL	6
6	1013869					BRAKE PEDAL PAD	1
7	1016173					HILL BRAKE ROD AND PAWL KIT INCLUDES ITEMS 7, 8, 9 AND 10	1
8	1017029					PIN - COTTER, 7/64 X 1/2", 302 STAINLESS STEEL	1
9	1010877					NUT, 5/16 PUSH	1
10	1010805					HILL BRAKE ROD SLEEVE	1
11	1010878					BRAKE STOP	1
12	1011402					BRAKE MOUNTING BLOCK PACKAGE	1
13	7473					NUT, 5/16-18 NYLON LOCK	4
14	1241					WASHER, 5/16 FLAT	8
15	1010808					EQUALIZER ROD	1
16	1013532					SPRING, BRAKE RETURN (GAS VEHICLE)	1
16	1013531					SPRING, BRAKE RETURN (ELECTRIC VEHICLE)	1
17	1010921					BOLT, 5/16-18 HEX	4
18	1016320					LIMITER EQUALIZER PIVOT	1
19	1013855					SPACER EQUALIZER	1
20	1242					NUT, 5/16-18 HEX	2
21	1011403					BRAKE CABLE KIT INCLUDES ITEMS 22, 23, 24	2
22	1011779					RING, "E"	4
23	1035					PIN, COTTER	2
24	1010829					PIN, 5/16 CLEVIS	2
25	1016319					EQUALIZER WELD ASSEMBLY	1
26	1028					NUT, 1/4-20 HEX	1
28	1010932					BALL JOINT, 1/4-28	1
29	1011418					HILL BRAKE KIT INCLUDES ITEMS 1, 5, 29, 30, 31	1
30	1013876					NUT, 3/8 PUSH	1
31	1013870					PAD, HILL BRAKE	1
32	1017211					EQUALIZER AND PIVOT LIMITER KIT INCLUDES ITEMS 18 AND 25	1

G

E

3

ELECTRIC VEHICLE ONLY



ACCELERATOR PEDAL ASSEMBLY

ACCELERATOR PEDAL ASSEMBLY

ITEM NUMBER	PART NUMBER	1 2 3 4	DESCRIPTION	UNITS PER VEHICLE
1	1011877		LATCH, HILL BRAKE	1
2	1016166		ROD, ACCELERATOR PIVOT (GAS VEHICLE)	1
2	1016116		ROD, ACCELERATOR PIVOT (ELECTRIC VEHICLE)	1
3	1028		NUT, 1/4-20 HEX	2
4	1010878		STOP, BRAKE	1
5	1016619		BOLT, 1/4-20 HEX	1
6	1014007		1/4" FLATWASHER	1
7	1016377-01		ACCELERATOR PEDAL ASSEMBLY (GAS VEHICLE) INCLUDES ITEMS 8, 9, 10, 11, 25, 26, AND 27	1
7	1010969		ACCELERATOR PEDAL ASSEMBLY (ELECTRIC VEHICLE) INCLUDES ITEMS 8, 9, 10, AND 11	1
8	7716		SCREW, #10-16 SHEET METAL	4
9	1013871		PAD, ACCELERATOR	1
10	1011691		HANGER, ACCELERATOR PEDAL SPRING	1
11	1016157		BALL STUD, 1/4-28 X 1.00 (GAS VEHICLE)	1
11	1010954		BALL STUD, 1/4-28 (ELECTRIC VEHICLE)	1
12	1011734		BALL JOINT, 1/4-28 SPRING LOADED	2
13	1011084		NUT, 1/4-28 JAM	2
14	1014085		ROD, ACCELERATOR (ELECTRIC VEHICLE) INCLUDES ITEMS 12 AND 13	1
14	1016168		ROD, ACCELERATOR (GAS VEHICLE) INCLUDES ITEMS 12 AND 13	1
15	8233		LOCKNUT, 1/4-20 NYLON	5
17	7479		BOLT, 1/4-20 HEX	4
18	1011699		SPACER, 1/2"	1
19	1011694		BRACKET, ACCELERATOR BEARING	2
20	1011700		SPACER, ACCELERATOR	1
21	1012075		SPRING EXTENSION	1
22	332		1/4" FLATWASHER	1
23	403		BOLT, 1/4"-20 HEX (ELECTRIC VEHICLE ONLY)	1
24	8304		WASHER, 1/4" INTERNAL TOOTH LOCK (ELECTRIC VEHICLE ONLY)	1
25	8717		1/4-28 NYLON HEX NUT (GAS VEHICLE)	2
26	1014007		1/4 FLATWASHER (GAS VEHICLE)	3
27	7510		1/4-28 X 1-1/4 HEX CAP SCREW (GAS VEHICLE)	1

G

E

3

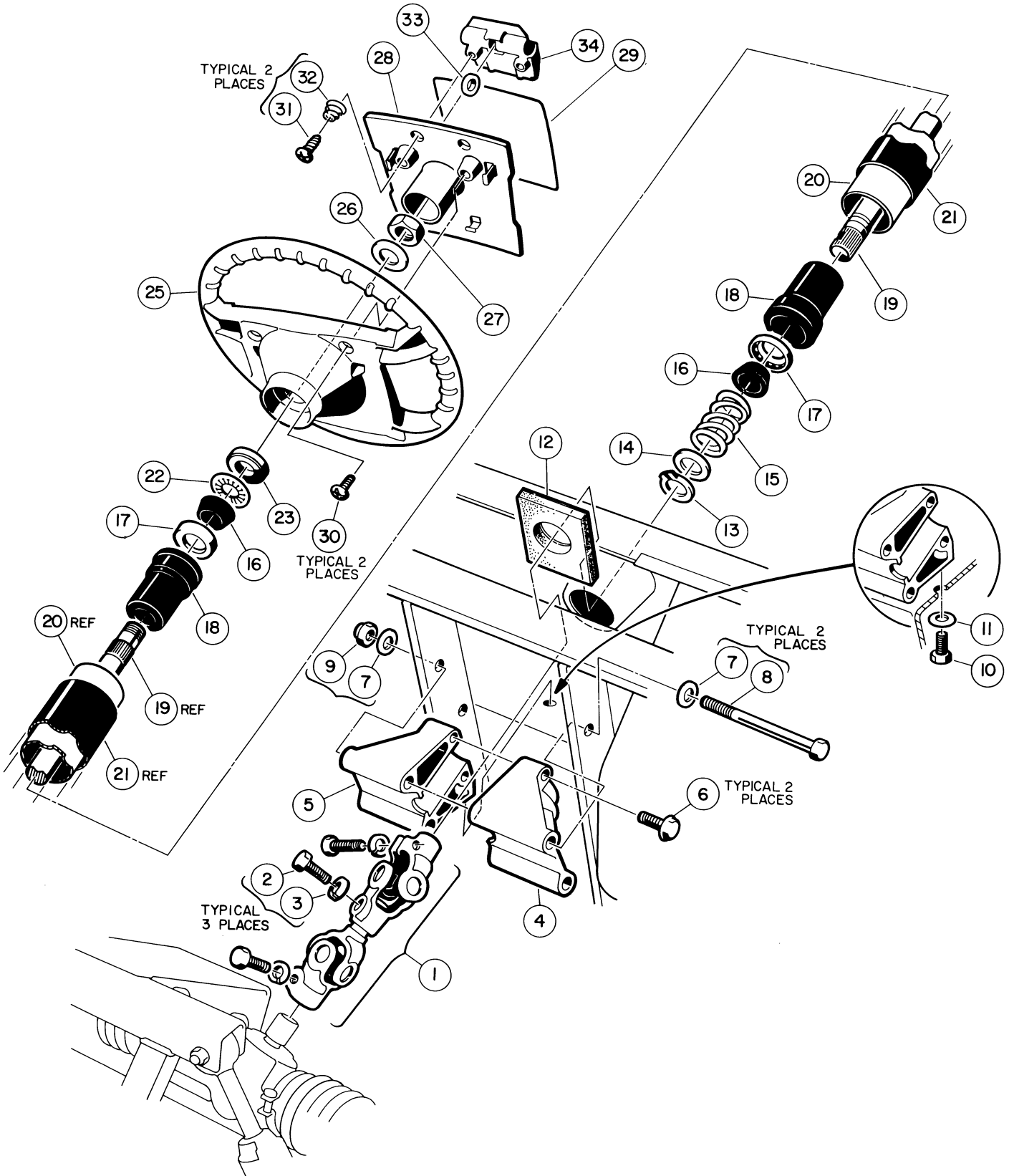
G

E

3

Section 4

STEERING AND FRONT SUSPENSION



STEERING COLUMN — ALUMINUM

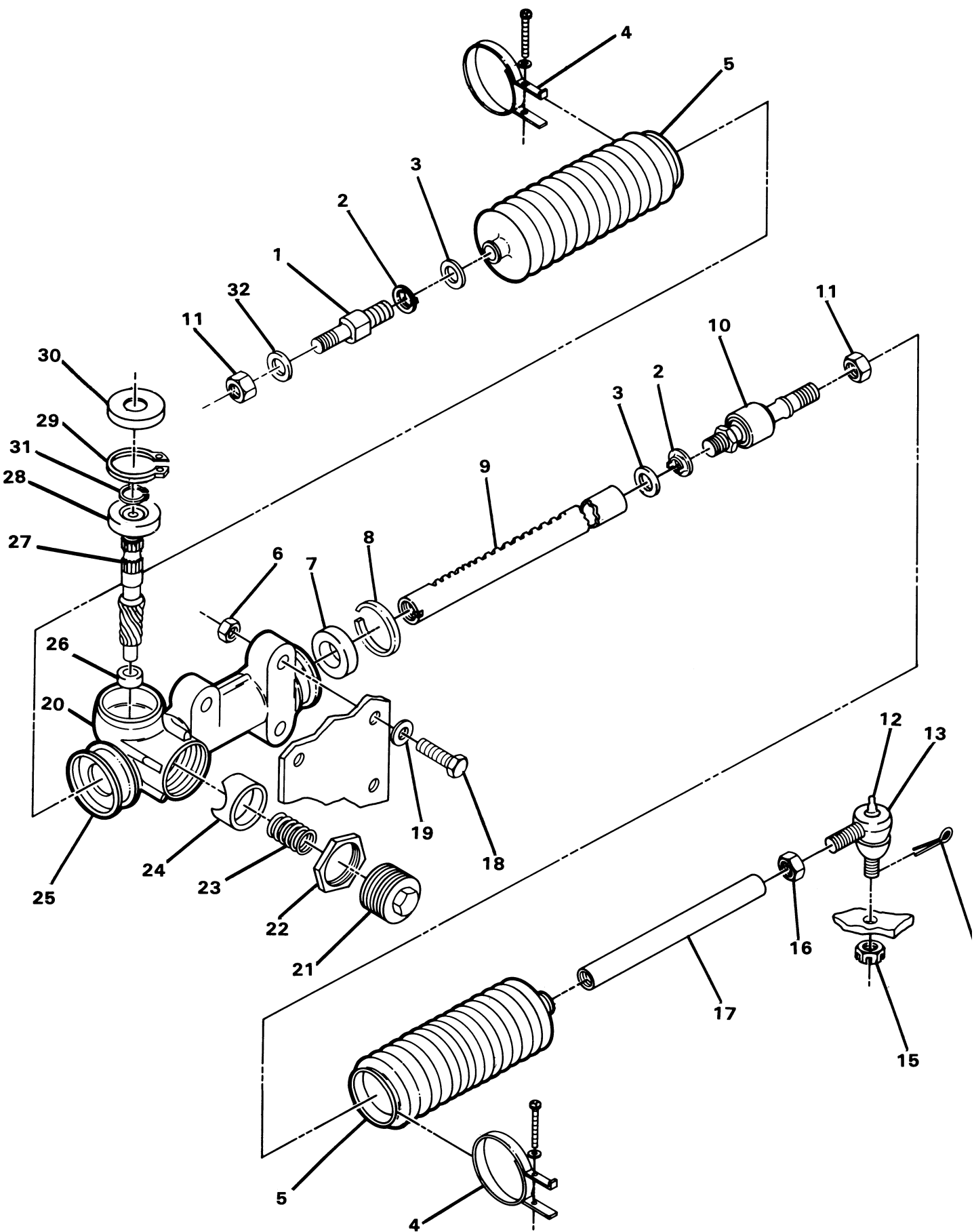
STEERING COLUMN — ALUMINUM

ITEM NUMBER	PART NUMBER	DESCRIPTION				UNITS PER VEHICLE
		1	2	3	4	
1	1013861	COMPOUND STEERING JOINT INCLUDES ITEMS 2 AND 3				1
2	1017226	HEX HEAD BOLT, 8MM				3
3	7174	LOCKWASHER, 5/16" DIAMETER				1
4	1016185	STEERING COLUMN MOUNT, LEFT HAND				1
5	1016184	STEERING COLUMN MOUNT, RIGHT HAND				1
6	1016269	HEX WASH HEAD THREAD FORMING SCREW, 5/16-18 X 2				2
7	334	FLATWASHER, 3/8" DIAMETER				4
8	1016183	HEX HEAD BOLT, 3/8-16 X 6-1/2				2
9	8754	NYLON LOCKNUT, 3/8-16				2
10	1014288	HEX HEAD THREAD FORMING SCREW, 5/16-18 X 3/4				2
11	1011697	FLATWASHER, 5/16" DIAMETER				1
12	1012499	DUST BOOT				1
13	1012605	RETAINING RING				1
14	1012604	WASHER				1
15	1014217	SPRING				1
16	1014125	WEDGE				2
17	1014213	BEARING ASSEMBLY				2
18	1014126	BEARING SEAT				2
19	1015545	STEERING SHAFT				1
20	1016622	STEERING TUBE				1
21	1016263	STEERING TUBE COVER				1
22	1014214	RETAINING RING				1
23	1014211	BEARING SEAL				1
25	1016156	STEERING WHEEL				1
26	1012604	FLATWASHER, 5/8" DIAMETER				1
27	7278	HEX JAM NUT, 5/8-18				1
28	1016219	SCORE CARD PLATE ASSEMBLY INCLUDES ITEMS 28 AND 31 THRU 34				1
29	1016216	OPERATING INSTRUCTIONS DECAL				1
30	1010715	TRI-LOBULAR SCREW, #10-14				4
31	1012565	SCREW, #12				2
32	1012566	SPRING				2
33	1016214	PENCIL GRIP				1
34	1016154	SCORE CARD CLIP				1
	1016181	STEERING COLUMN ASSEMBLY INCLUDES ITEMS 13 THRU 20, 22 AND 23				1

G

E

4



STEERING ASSEMBLY

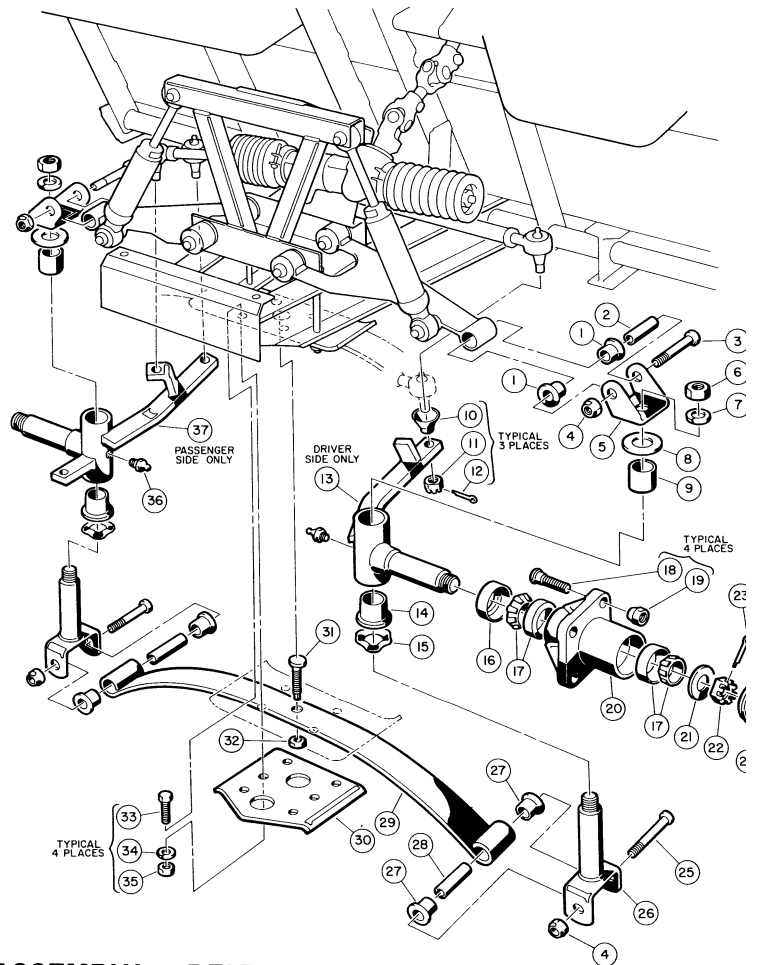
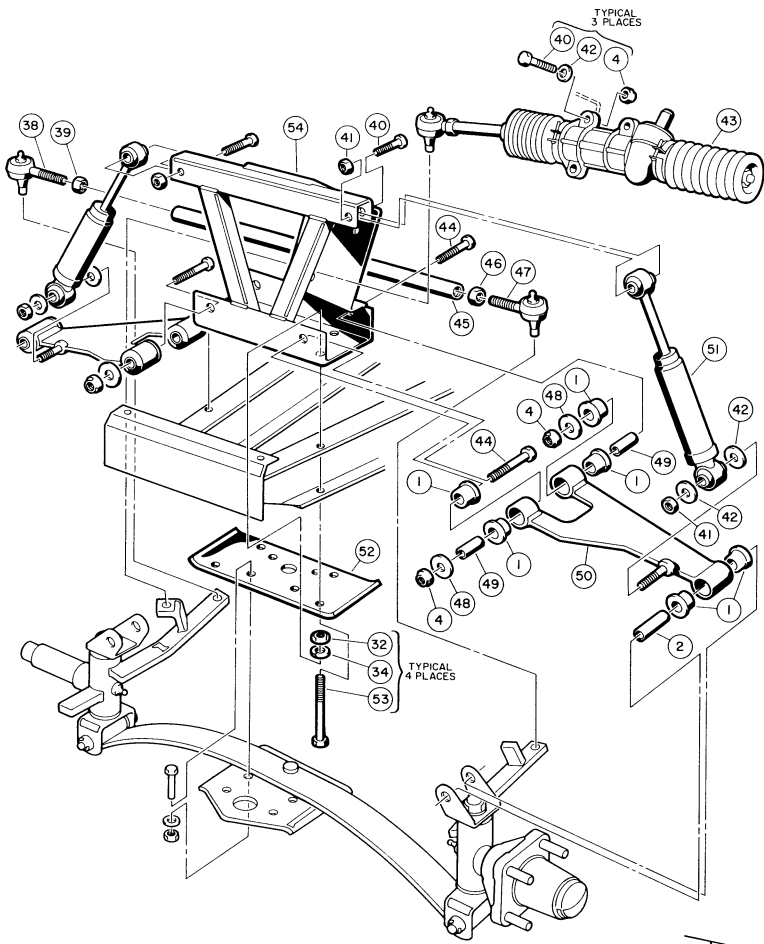
STEERING ASSEMBLY

ITEM NUMBER	PART NUMBER	1 2 3 4	DESCRIPTION	UNITS PER VEHICLE
1	1013053		BOLT, STOPPER, 12MM	1
2	1013040		LOCKWASHER, TIE ROD	2
3	1013039		WASHER, TIE ROD STOPPER	2
4	1013034		BAND, BELLOWS	2
5	1013035		SEAL, DUST	2
6	1010138		LOCKNUT, 3/8-16	3
7	1013036		BUSHING, RACK	1
8	1013037		RING, SNAP	1
9	NO #		RACK, STEERING (SEE ITEM 20)	1
10	1013041		END, RACK	1
11	1013042		NUT, HEX, 12MM	2
12	1015597		FITTING, GREASE	1
13	7540		SOCKET, VERTICAL, LEFT HAND INCLUDES ITEMS 12 AND 15	1
14	1035		PIN, COTTER	1
15	7602		NUT, HEX, SLOTTED, 3/8-24	1
16	7555		NUT, LEFT HAND, JAM, 1/2-20	1
17	1012467		LINK, DRAG	1
18	1624		BOLT, HEX, 3/8-16	3
19	334		FLATWASHER, 3/8	3
20	1012452		STEERING GEAR BOX ASSEMBLY INCLUDES ITEMS 1 THRU 5, 7 THRU 11 AND 21 THRU 30	1
21	1013043		SCREW, RACK GUIDE	1
22	1013044		LOCKNUT, RACK SCREW	1
23	1013045		SPRING, RACK GUIDE PRESSURE	1
24	1013046		GUIDE, STEERING RACK	1
25	1013047		BOX, STEERING GEAR	1
26	1013048		BUSHING, PINION	1
27	NO #		PINION, STEERING (SEE ITEM 20)	1
28	1012884		BALL BEARING	1
29	1013051		RING-RETAINING, INTERNAL	1
30	1013052		DUST SEAL, STEERING PINION	1
31	1013031		RING-RETAINING, EXTERNAL	1
32	1013030		WASHER, END	1
33	1011930		DUST SEAL	1

G

E

4



FRONT SUSPENSION ASSEMBLY — DELTA A-PLATE

FRONT SUSPENSION ASSEMBLY — DELTA A-PLATE

ITEM NUMBER	PART NUMBER	1 2 3 4				DESCRIPTION	UNITS PER VEHICLE
1	1016346					URETHANE BUSHING	12
2	1016350					DELTA OUTER SLEEVE	2
3	1016387					HEX HEAD BOLT, 3/8-16 X 2-3/4 LONG	2
4	8754					NYLON LOCKNUT, 3/8-16	11
5	1016384					UPPER DELTA CLEVIS	2
6	1308					HEX NUT, 1/2-20	2
7	209					LOCKWASHER, 1/2 DIAMETER	2
8	1010150					THRUST WASHER	2
9	8067					SPINDLE BUSHING	2
10	1011930					DUST BOOT	2
11	7602					HEX NUT, SLOTTED, 3/8-24	3
12	1035					COTTER PIN, 3/32 DIAMETER X 1 LONG	3
13	1010342					SPINDLE SUB ASSEMBLY, LEFT HAND	1
14	7048					BRONZE BUSHING	2
15	1016389					KINGPIN WAVE WASHER	2
16	1013135					DUST SEAL	2
17	1011393					HUB BEARING	4
18	1011304					LUG STUD	8
19	1011390					LUG NUT	8
20	1011153					HUB	2
21	1010005					FLATWASHER, 3/4 DIAMETER	2
22	7840					HEX NUT, SLOTTED, 3/4-16	2
23	7910					COTTER PIN	2
24	1011887					DUST COVER	2
25	8755					HEX HEAD BOLT, 3/8-16 X 3-3/8 LONG	2
26	1016386					KINGPIN ASSEMBLY	2
27	1015583					URETHANE BUSHING	4
28	1012303					STEEL BUSHING	2
29	1015108					TAMPERED LEAF SPRING (GAS VEHICLE)	1
29	1012030					TAMPERED LEAF SPRING (ELECTRIC VEHICLE)	1
30	1014276					RETAINER PLATE	1
31	8745					ADJUSTMENT ECCENTRIC	1
32	706					HEX NUT, 3/8-16	5
33	1624					HEX HEAD BOLT, 3/8-16 X 1-1/2 LONG	4
34	357					LOCKWASHER, 3/8 DIAMETER	8
35	706					HEX NUT, 3/8-16	4
36	1015597					GREASE FITTING	2
37	1010344					SPINDLE SUB ASSEMBLY, RIGHT HAND	1
	1011894					HUB ASSEMBLY	
						INCLUDES ITEMS 17, 18 AND 20	
	1015828					FRONT SPRING ASSEMBLY	
						INCLUDES ITEMS 29, 31 AND 32	
38	1011893					BALL JOINT, RIGHT HAND	1
39	1308					HEX NUT, 1/2-20, RIGHT HAND	1
40	1624					HEX HEAD BOLT, 3/8-16 X 1-1/2	5
41	1010138					DIMPLED LOCKNUT, 3/8-16	4
42	334					FLATWASHER, 3/8 DIAMETER	7
43	1012485					GEAR AND SOCKET ASSEMBLY	1
44	2402					HEX HEAD BOLT, 3/8-16 X 2-1/4	4
45	1010219					TIE ROD	1
46	7555					HEX NUT, 1/2-20, LEFT HAND	1
47	1011895					BALL JOINT, LEFT HAND	1
48	808					FLATWASHER, TYPE B, 3/8 DIAMETER	4
49	1016349					DELTA INNER SLEEVE	4
50	1016351					DELTA A-PLATE	2
51	1015813					FRONT SHOCK ABSORBER (GAS VEHICLE)	2
51	1014235					FRONT SHOCK ABSORBER (ELECTRIC VEHICLE)	2
52	1010124					SPRING MOUNTING PLATE	1
53	1010200					HEX HEAD BOLT, 3/8-16 X 4-1/4	4
54	1016385					SHOCK SUPPORT	1

G

E

4

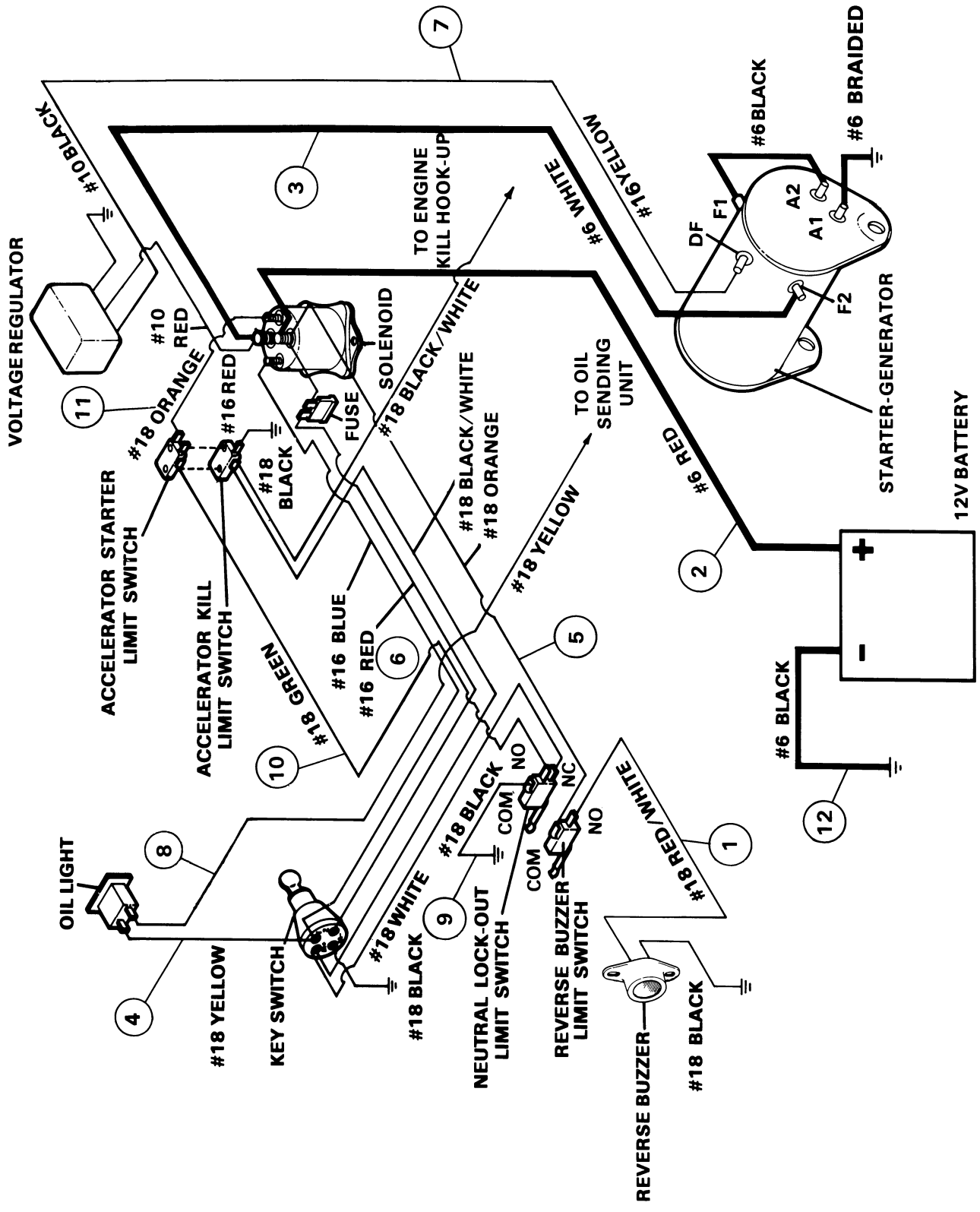
G

E

4

Section 5

ELECTRICAL AND BATTERY



WIRING — GAS VEHICLE

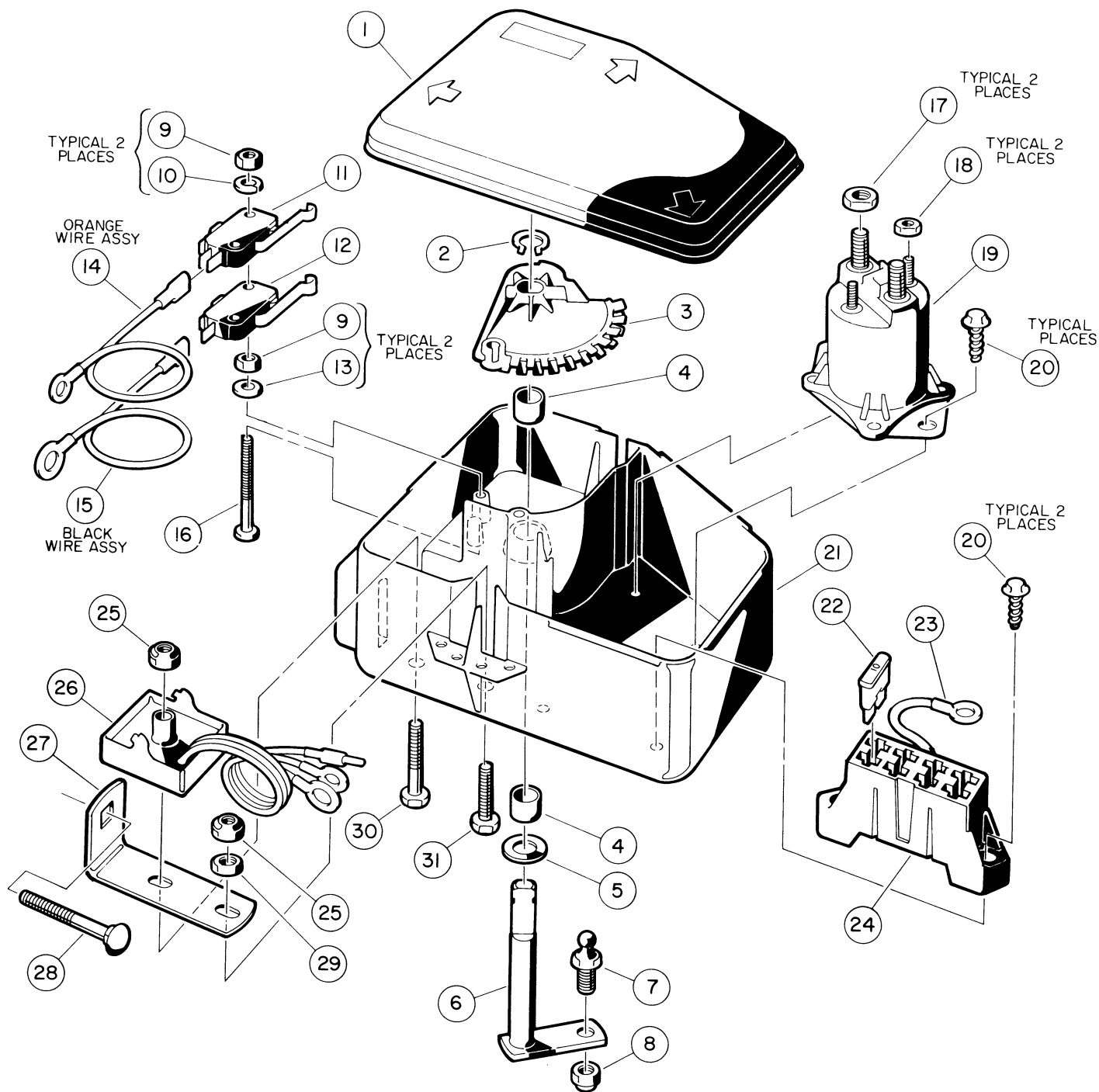
WIRING — GAS VEHICLE

ITEM NUMBER	PART NUMBER	1 2 3 4 DESCRIPTION	UNITS PER VEHICLE
	1015735	WIRE HARNESS ASSEMBLY	
1	1013723	WIRE ASSEMBLY, #18 RED/WHITE	1
2	1014119	WIRE ASSEMBLY, #6 RED	1
3	1015769	WIRE ASSEMBLY, #6 WHITE	1
4	1013601	WIRE ASSEMBLY, #18 YELLOW	1
5	1015831	WIRE ASSEMBLY, #18 ORANGE	1
6	1015736	WIRE ASSEMBLY, #16 RED	1
7	1015738	WIRE ASSEMBLY, #16 YELLOW	1
8	1015740	WIRE ASSEMBLY, #18 YELLOW	1
9	1015780	WIRE ASSEMBLY, #18 BLACK	1
10	1015779	WIRE ASSEMBLY, #18 GREEN	1
11	1015767	WIRE ASSEMBLY, #18 ORANGE	1
12	1012382	WIRE ASSEMBLY, #6 BLACK	1

G

5

NOTE: ITEM #30 BOX COVER MOUNTING SCREW NOT SHOWN



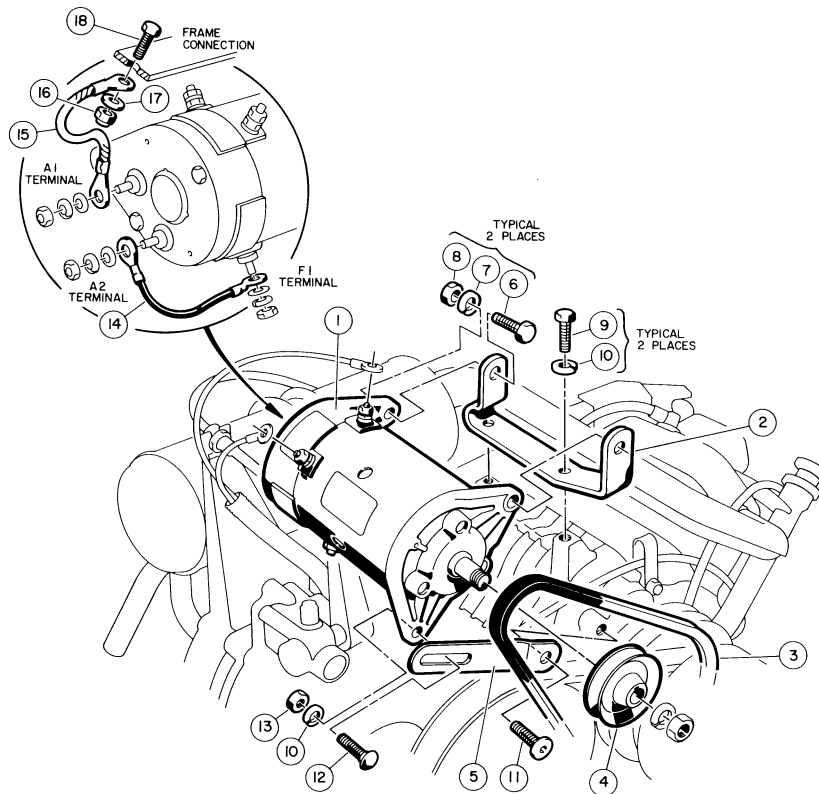
ELECTRICAL COMPONENT BOX

ELECTRICAL COMPONENT BOX

ITEM NUMBER	PART NUMBER	1 2 3 4				DESCRIPTION	UNITS PER VEHICLE
1	1015372					ELECTRICAL COMPONENT BOX COVER	1
2	1013589					RETAINING RING	1
3	1015373					CAM	1
4	1014145					BRONZE BUSHING	1
5	1014065					FLATWASHER (DELTRIN)	2
6	1015345					BELL CRANK SHAFT ASSEMBLY	1
7	1010954					1/4 BALL STUD	1
8	8717					1/4-28 NYLON LOCK NUT	1
9	8057					#4-40 UNC HEX NUT	1
10	8058					#4 LOCKWASHER	4
11	1014807					LIMIT SWITCH	2
12	1014808					LIMIT SWITCH	1
13	1012431					#4 FLATWASHER	1
14	1015767					WIRE ASSEMBLY	2
15	1015766					WIRE ASSEMBLY	1
16	1015878					#4-40 UNC X 1.62 SCREW	1
17	1242					5/16-18 UNC HEX NUT	2
18	7893					#10-32 UNF HEX NUT	2
19	1013609					12 VOLT SOLENOID	2
20	1015752					#12-16 X .5 HILO SCREW	1
21	1015371					ELECTRICAL COMPONENT BOX	4
22	1012295					FUSE 10 AMP	1
23	1015737					WIRE ASSEMBLY	1
24	1015741					FUSE BLOCK	1
25	8233					1/4-20 NYLON LOCK NUT	1
26	1015777					VOLTAGE REGULATOR ASSEMBLY	2
27	1015343					GROUND STRAP	1
28	1015405					5/16-18 X 2.00 ROUND HEAD SQUARE NECK SCREW	1
29	1015919					1/4-20 JAM NUT	1
30	1703					1/4-20 X 1.50 HEX SCREW (NOT SHOWN)	1
31	304					1/4-20 UNC X 1 HEX SCREW	1
32	8168					WIRE TIE WRAP (NOT SHOWN)	1
33	1703					1/4-20 X 1.50 HEX SCREW	2
							1

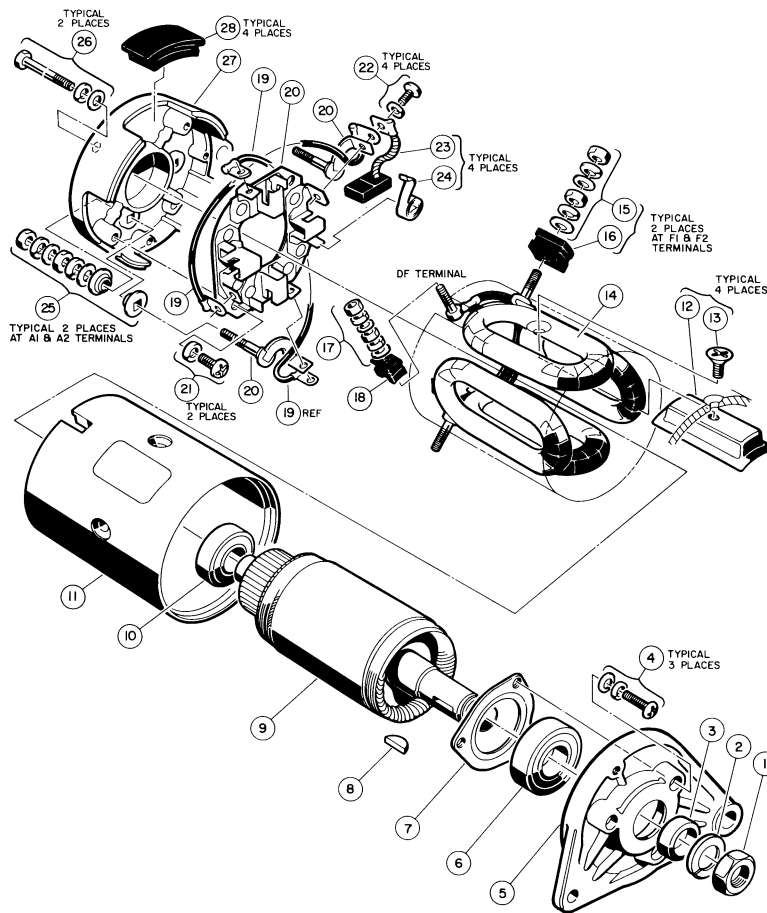
G

5



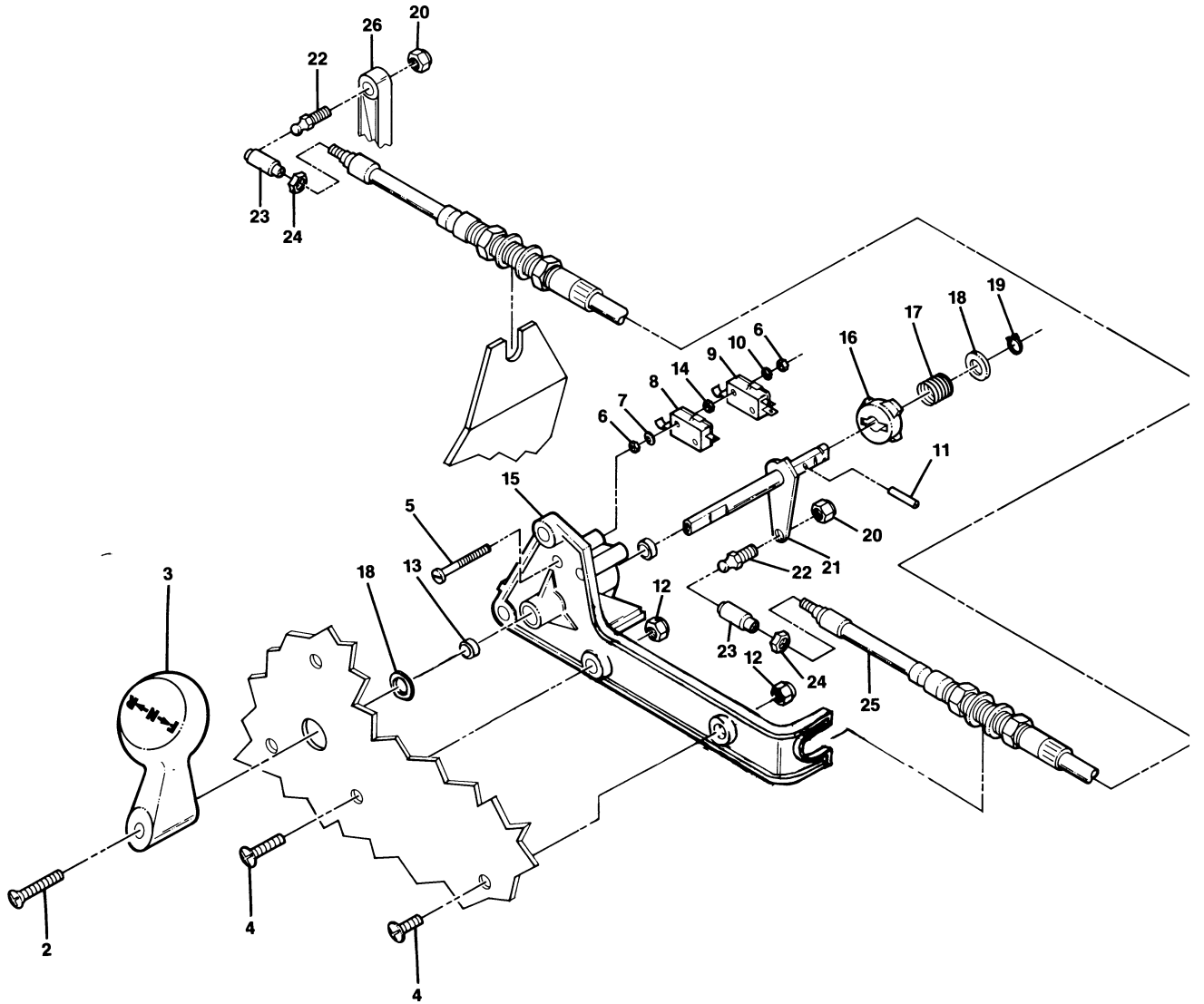
STARTER-GENERATOR MOUNTING

ITEM NUMBER	PART NUMBER	1 2 3 4				DESCRIPTION	UNITS PER VEHICLE
1	1012316					STARTER-GENERATOR	1
2	1015240-01					MOUNTING BRACKET	1
3	1015241					BELT	1
4	1014289					PULLEY	1
5	1012335					ADJUSTING BRACKET	1
6	705					HEX HEAD SCREW, 3/8-16 X 1-1/4	2
7	357					LOCKWASHER, 3/8" DIAMETER	2
8	706					HEX NUT, 3/8-16	2
9	1015331					HEX HEAD SCREW, M8-1.25 X 25MM	2
10	7174					LOCKWASHER, 5/16" DIAMETER	2
11	1016074					TORX HEAD SCREW, M8-1.25 X 18MM	1
12	1015932					ROUND HEAD SQUARE NECK BOLT, 5/16-18 X 1	1
13	1242					HEX NUT, 5/16-18	1
14	1012384					#6 BLACK WIRE ASSEMBLY	1
15	1015920					GROUND WIRE	1
16	7473					NYLON LOCK NUT, 5/16-18	1
17	1241					FLATWASHER, 5/16" DIAMETER	1
18	7173					HEX HEAD CAP SCREW, 5/16-18 X 3/4	1



STARTER-GENERATOR ASSEMBLY

ITEM NUMBER	PART NUMBER	1 2 3 4	DESCRIPTION	UNITS PER VEHICLE
1	NO #		HEX NUT, M14 X 1.5	1
2	NO #		LOCKWASHER, M14	1
3	1013000		SPACER	1
4	NO #		CROSS-RECESSED SCREW, M5 X 18 WITH LOCKWASHERS AND FLATWASHERS	3
5	1012999		OUTPUT SHAFT END BELL	1
6	1013001		DOUBLE SEALED BALL BEARING	1
7	1013002		BEARING RETAINER	1
8	1013003		KEY	1
9	1013004		ARMATURE ASSEMBLY INCLUDES ITEMS 3, 6, 7, 10 AND ARMATURE	1
10	1013005		DOUBLE SEALED BALL BEARING	1
11	1013006		FRAME ASSEMBLY INCLUDES ITEMS 12 THRU 18 AND FRAME	1
12	NO #		POLE PIECE	4
13	1013009		POLE PIECE SCREW	4
14	1013010		FIELD COIL ASSEMBLY	1
15	1013007		TERMINAL HARDWARE KIT INCLUDES NUTS, LOCKWASHERS AND FLATWASHERS	2
16	NO #		INSULATOR	2
17	1013017		TERMINAL HARDWARE KIT INCLUDES NUTS, LOCKWASHERS AND FLATWASHERS	1
18	NO #		INSULATOR	
19	1013013		CROSSOVER LEAD	2
20	1013011		BRUSH HOLDER	1
21	NO #		SCREW, M5 X 16 WITH LOCKWASHER	2
22	1013014		SCREW, M4 X 10 WITH LOCKWASHER	4
23	1014699		BRUSH PACKAGE INCLUDES 4 BRUSHES	1
24	1013016		BRUSH SPRING	4
25	1012990		TERMINAL HARDWARE KIT INCLUDES NUTS, LOCKWASHERS, FLATWASHERS AND INSULATORS	2
26	1012992		CLAMP BOLT, 6 X 180	2
27	1012993		COMMUTATOR END BELL	1
28	1012991		BRUSH INSPECTION PORT COVER	4



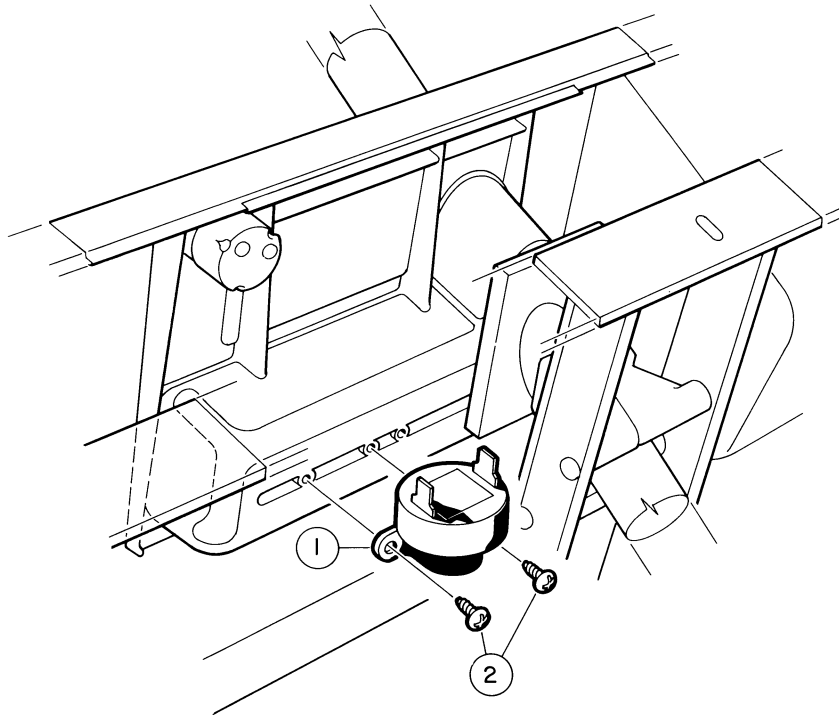
F&R SHIFTER ASSEMBLY

F&R SHIFTER ASSEMBLY

G

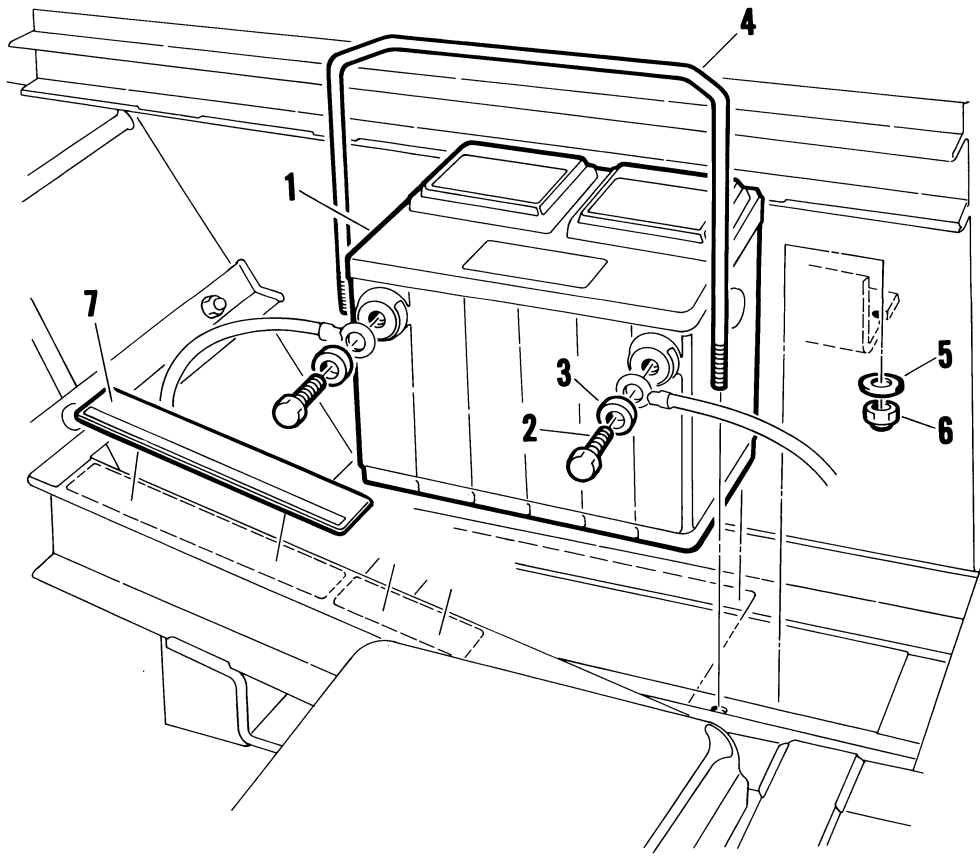
ITEM NUMBER	PART NUMBER	1	2	3	4	DESCRIPTION	UNITS PER VEHICLE
1	1016947					F&R SHIFTER ASSEMBLY INCLUDES ITEMS 5 THRU 22, 27 AND 28	1
2	1013198					#8-32 PHILLIPS MACHINE SCREW	1
3	1012987					F&R HANDLE	1
4	8248					SCREW, 1/4-20 X 3/4" PHILLIPS HEAD	1
5	1012594					SCREW, #4-40 X 1.00" MACHINE	2
6	8057					NUT, #4-40 UNC HEX	6
7	1012431					FLATWASHER, #4	2
8	1014808					LIMIT SWITCH	1
9	1014807					LIMIT SWITCH	1
10	8058					LOCKWASHER, #4	2
11	1013591					1/8" ROLL PIN	1
12	8233					LOCKNUT, 1/4-20 NYLON	4
13	1014145					BUSHING	2
14	1014727					#4 FLATWASHER (NYLON)	2
15	1016342					F&R SHIFTER BASE	1
16	1014089					NEUTRAL LOCK-OUT CAM KIT INCLUDES ITEM 18	1
17	1013590					SPRING — F&R CAM	1
18	1014065					FLATWASHER-DELTRIN	1
19	1013589					RETAINING RING	1
20	8717					LOCKNUT, 1/4-28 NYLON	2
21	1013587					F&R BELL CRANK WELDMENT	1
22	1010954					BALL STUD, 1/4-28 UNF X .25	2
23	1012333					BALL JOINT	2
24	7893					NUT, #10-32 UNF HEX	2
25	1013085					TRANSMISSION SHIFT CABLE INCLUDES ITEMS 23 AND 24	1
26	1016341					TRANSMISSION SHIFT LEVER	1

5



REVERSE BUZZER

ITEM NUMBER	PART NUMBER	1 2 3 4 DESCRIPTION	UNITS PER VEHICLE
1	1016851	REVERSE BUZZER	1
2	1016849	#4-24 X .330 SCREW PAN HEAD HI-LO	2
3	1016857	WIRE ASSEMBLY (BLACK) (NOT SHOWN)	1

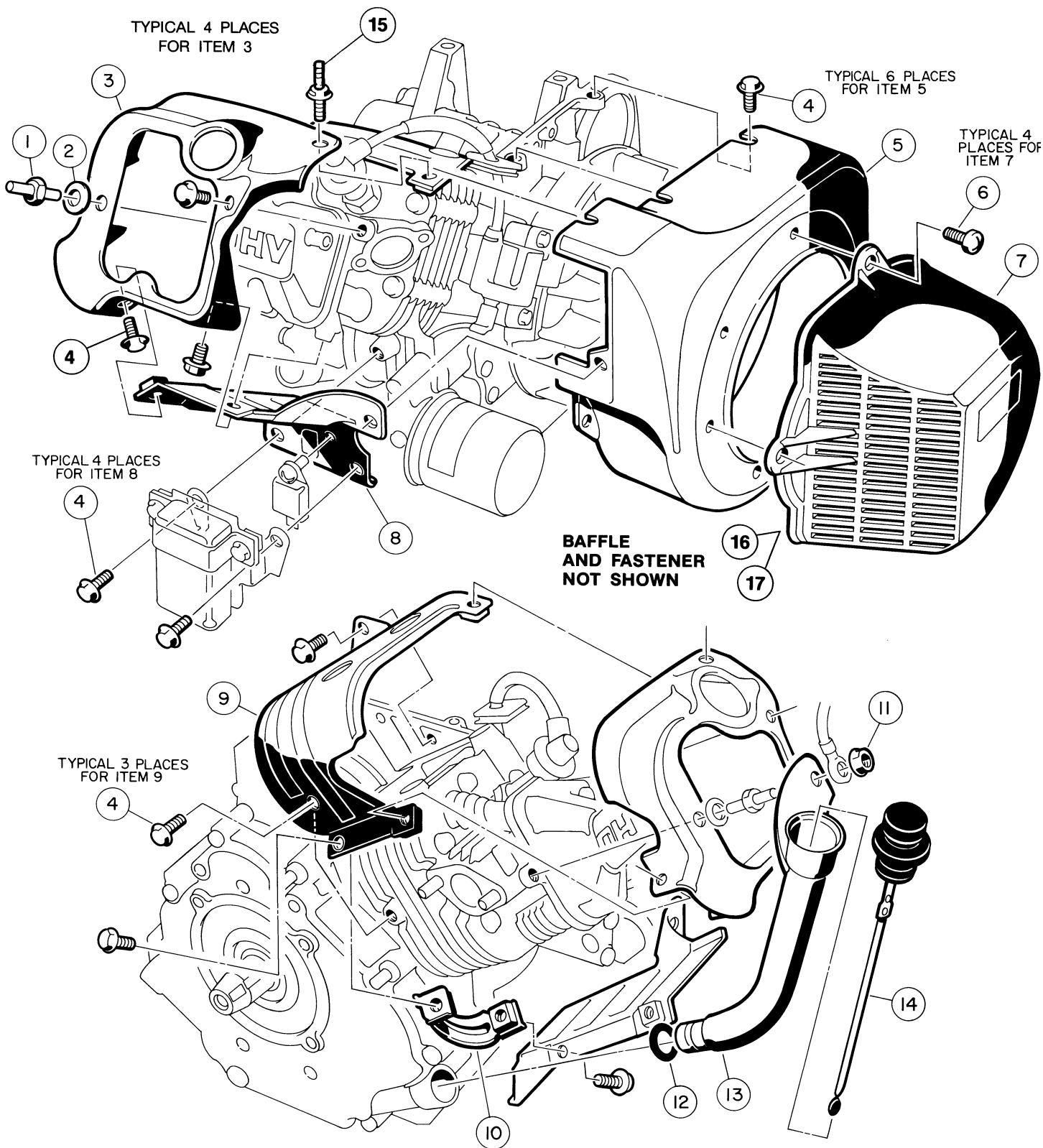


BATTERY

ITEM NUMBER	PART NUMBER	1 2 3 4	DESCRIPTION	UNITS PER VEHICLE
1	1012328		12 VOLT BATTERY	1
2	1014375		HEX HEAD BOLT, SS, 3/8-16 X 1/2	2
3	1014374		SPACER	2
4	1013882		BATTERY HOLD DOWN	1
5	1011931		WIDE FLATWASHER, 1/4" DIAMETER	2
6	8233		NYLON LOCKNUT, 1/4-20	2
7	1015474		FRAME GROUND DECAL	1

Section 6

ENGINE

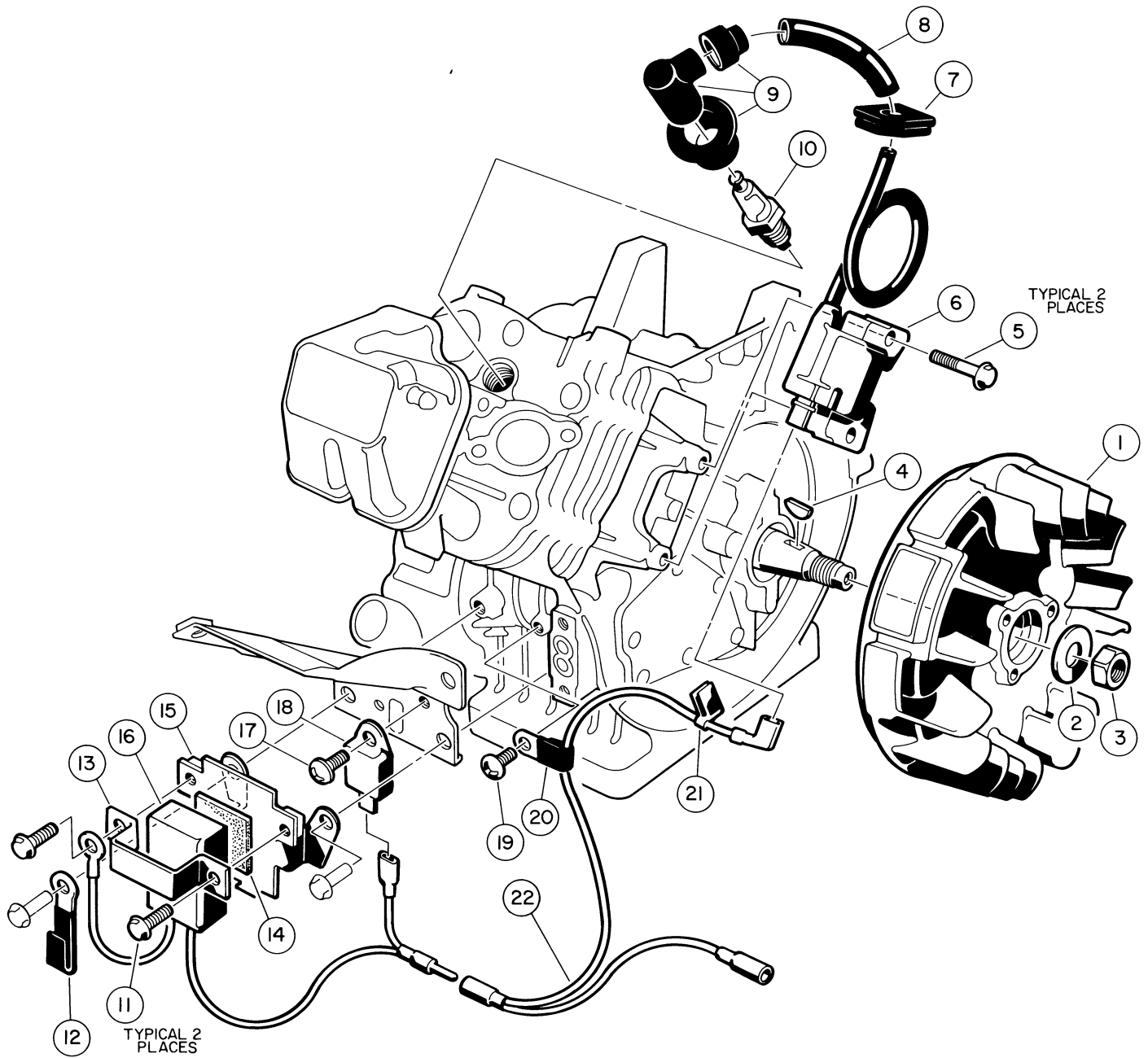


ENGINE

ITEM NUMBER	PART NUMBER	1 2 3 4	DESCRIPTION	UNITS PER VEHICLE
	1015731		ENGINE — COMPLETE	
1	1016507		BOLT, 2-ENDED, M6 X 1	1
2	1016512		PLAIN WASHER, 6MM DIAMETER	1
3	1016524		ENGINE SHROUD	1
4	1016456		FLANGED BOLT, M6 X 1 X 12MM LONG	17
5	1016534		FAN HOUSING	1
6	1015969		PAN HEAD SCREW, M6 X 1 X 14MM LONG	4
7	1015649		FAN SHROUD	1
8	1016526		ENGINE SHROUD	1
9	1016525		ENGINE SHROUD	1
10	1016443		BRACKET	1
11	1016547		NUT, M6 X 1	1
12	1016539		O-RING	1
13	1016536		FILLER	1
14	1016531		GAUGE	1
15	1017221		BOLT, 2-ENDED	1
16	1017129		BAFFLE, FAN SHROUD (NOT SHOWN)	1
17	1010434		BARREL FASTENER (BLACK) (NOT SHOWN)	3

G

6



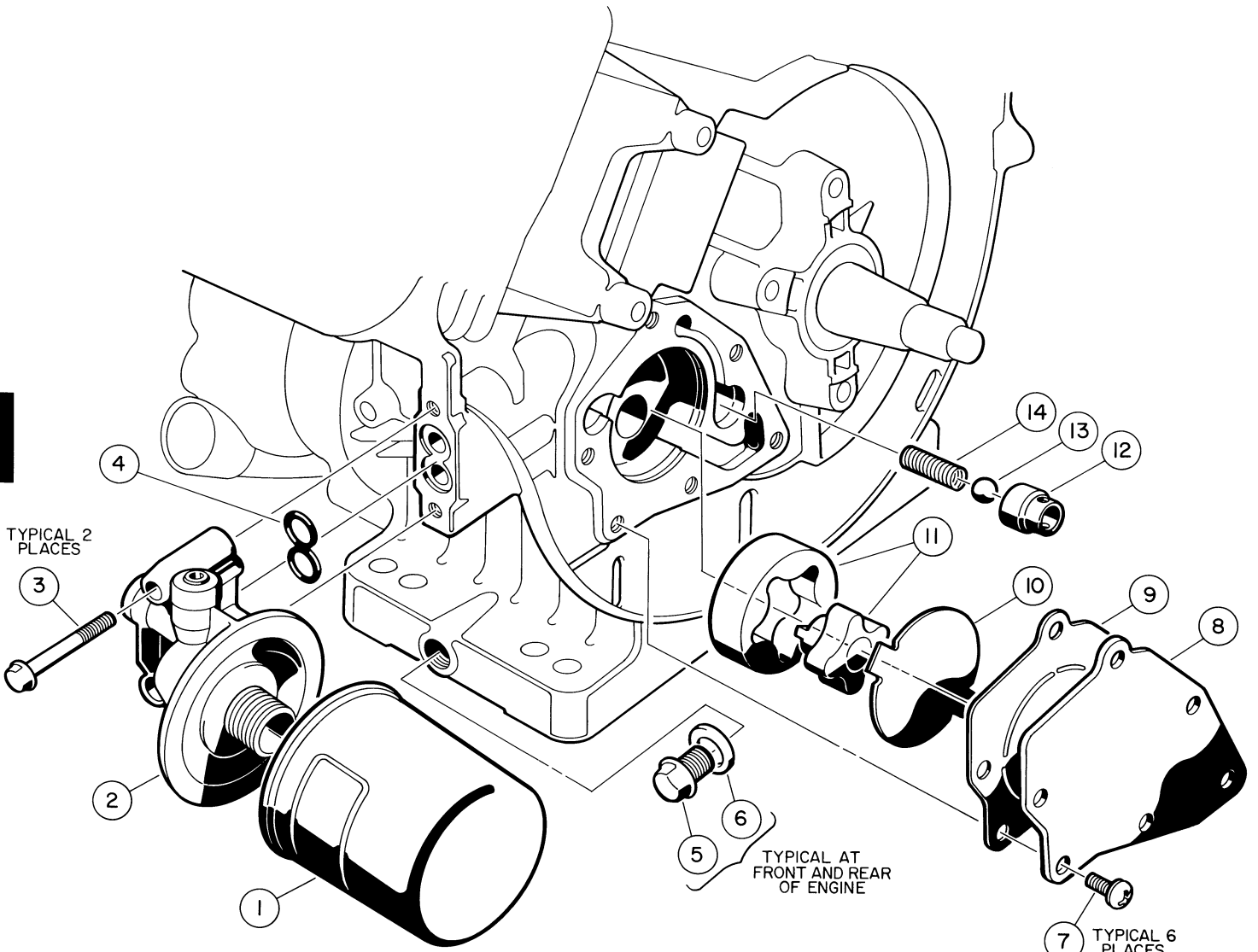
ENGINE

ENGINE

ITEM NUMBER	PART NUMBER	1 2 3 4	DESCRIPTION	UNITS PER VEHICLE
1	1016495		FLYWHEEL	1
2	1016548		FLATWASHER, 16MM DIAMETER	1
3	1016505		HEX NUT, M16 X 1.5	1
4	1016562		KEY	1
5	1016455		FLANGED BOLT, M5 X 0.8 X 25MM LONG	2
6	1016492		IGNITION COIL	1
7	1016578		GROMMET	1
8	1016588		TUBE	1
9	1016493		PLUG CAP ASSEMBLY	1
10	1016111		SPARK PLUG	1
11	1016456		FLANGED BOLT, M6 X 1.0 X 12MM LONG	2
12	1012978		CLAMP TUBE	1
13	1016579		BAND	1
14	1016586		DAMPER	1
15	1016445		BRACKET	1
16	1016511		RPM LIMITER	1
17	1016497		CROSS PAN HEAD SCREW, M5 X 0.8 X 8MM LONG	1
18	1016491		IGNITER	1
19	1016544		CROSS PAN HEAD SELF TAP SCREW M5 X 12MM LONG	1
20	1016561		CLAMP	1
21	1016587		CLAMP	1
22	1016503		LEAD WIRE	1

G

6



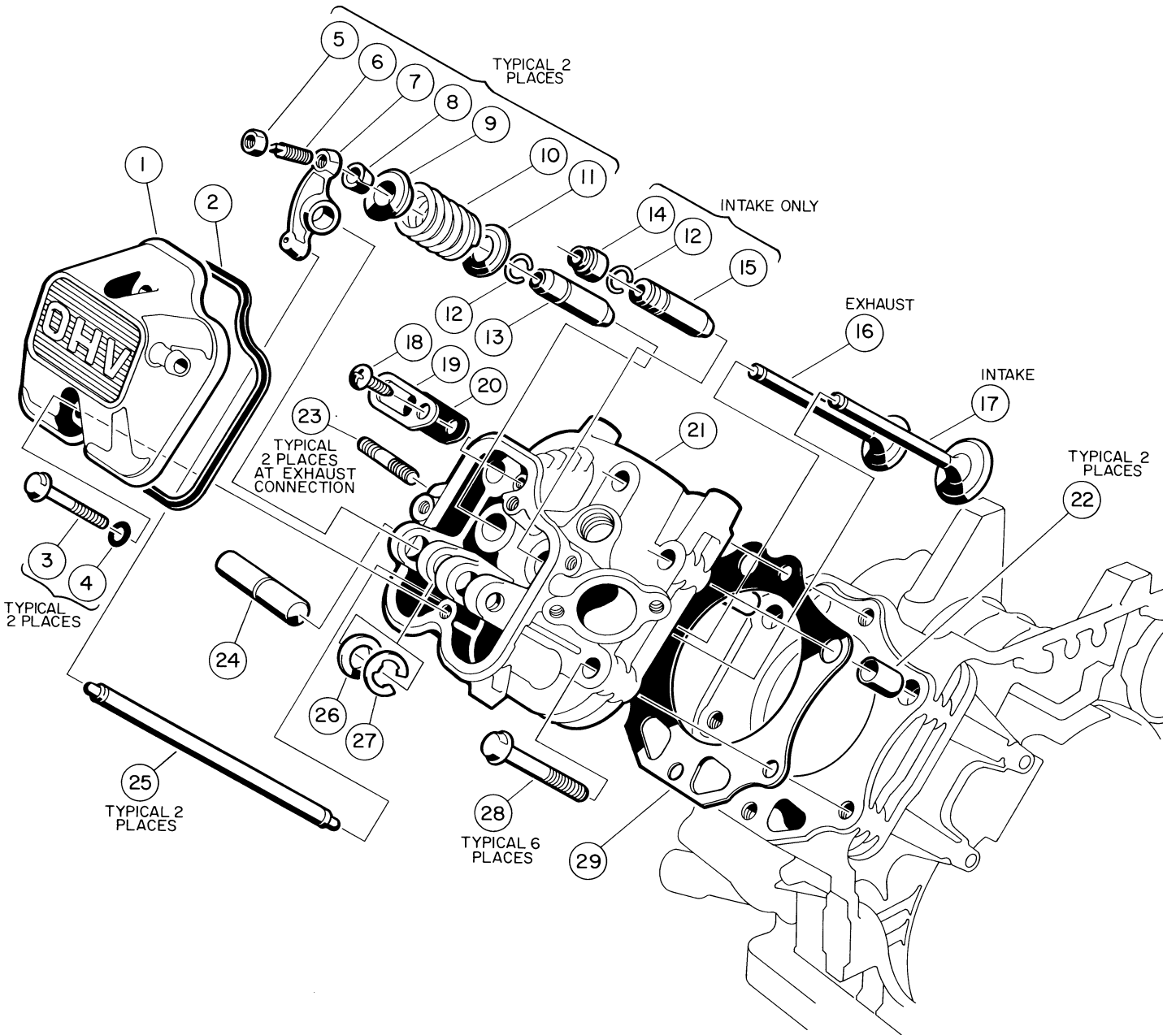
ENGINE

ENGINE

ITEM NUMBER	PART NUMBER	1 2 3 4				DESCRIPTION	UNITS PER VEHICLE
1	1016467					OIL FILTER	1
2	1016502					OIL FILTER BRACKET	1
3	1016457					FLANGED HEX HEAD BOLT, M6 X 1.0 X 40MM LONG	2
4	1016570					O-RING	1
5	1016576					DRAW PLUG	2
6	1016432					GASKET	2
7	1016498					CROSS PAN HEAD SCREW, M6 X 1.0 X 12MM LONG	6
8	1016484					PUMP COVER	1
9	1016435					OIL PUMP GASKET	1
10	1016473					OIL PUMP PLATE	1
11	1016482					PUMP ASSEMBLY — OIL	1
12	1016429					VALVE SEAT	1
13	1016537					STEEL BALL	1
14	1016581					SPRING	1

G

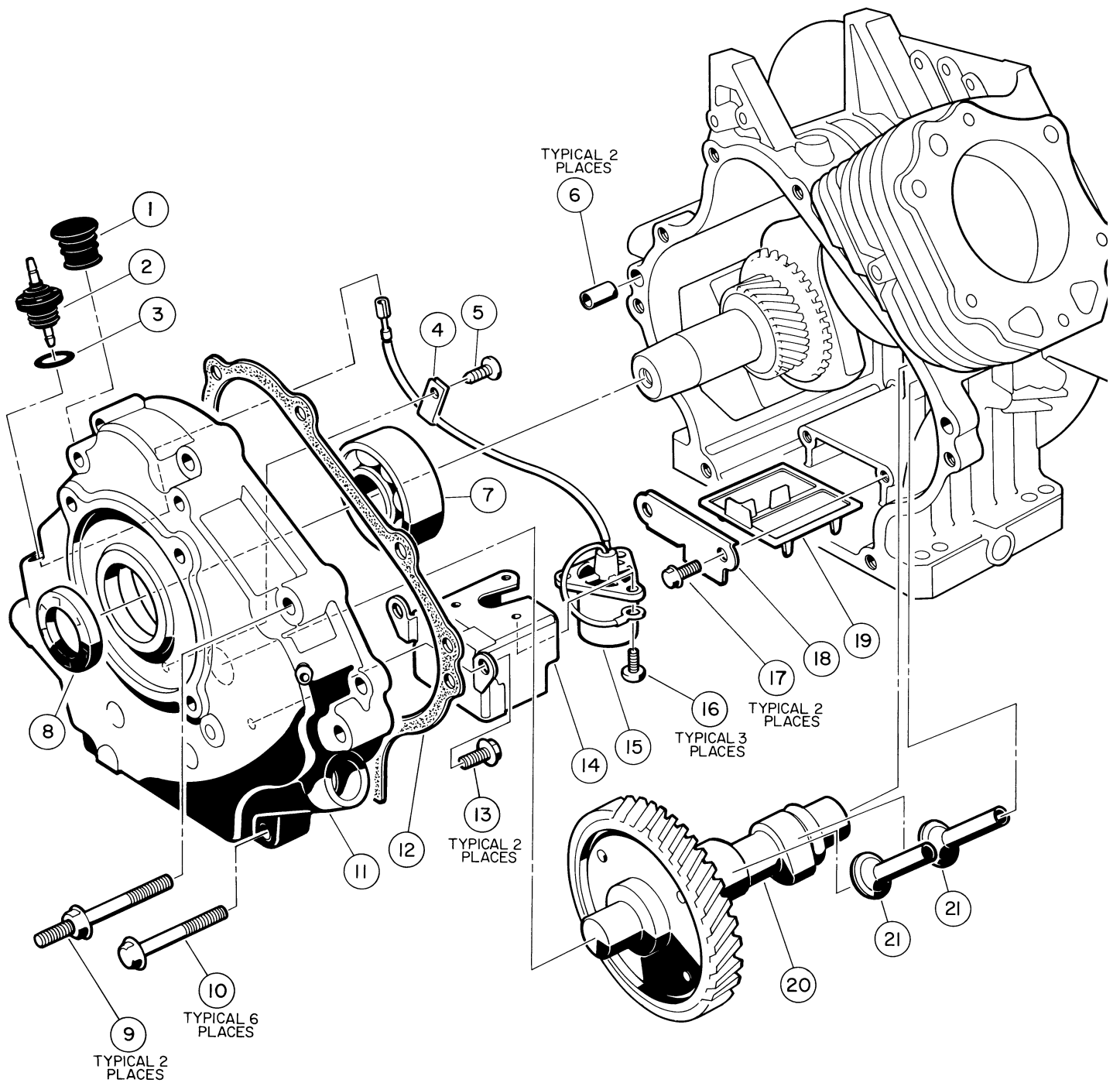
6



ENGINE

ENGINE

ITEM NUMBER	PART NUMBER	1 2 3 4	DESCRIPTION	UNITS PER VEHICLE
1	1016442		ROCKER CASE	1
2	1016436		ROCKER CASE GASKET	1
3	1016583		FLANGED BOLT, M6 X 1.0 X 35MM LONG	2
4	1016569		O-RING	2
5	1016542		SCREW	2
6	1016545		HEX NUT	2
7	1016451		ROCKER ARM	2
8	1016450		COLLET	2
9	1016449		VALVE SPRING RETAINER	2
10	1016523		ENGINE VALVE SPRING	2
11	1016479		SPRING SEAT	2
12	1016560		SNAP RING	2
13	1016518		VALVE GUIDE (EXHAUST)	2
14	1016566		OIL SEAL	1
15	1016519		VALVE GUIDE (INTAKE)	1
16	1016448		EXHAUST VALVE	1
17	1016447		INTAKE VALVE	1
18	1016544		SCREW	1
19	1016474		PLATE	1
20	1016483		VALVE	1
21	1016431		CYLINDER HEAD	1
			INCLUDES ITEMS 12, 13 AND 15	
22	1016563		PIN	2
23	1016489		STUD BOLT	2
24	1016452		ROCKER SHAFT	1
25	1016471		PUSH ROD	2
26	1016549		WASHER	1
27	1016517		TYPE-E CIRCLIP	1
28	1016458		FLANGED BOLT, M8 X 1.25 X 45MM LONG	6
29	1016430		HEAD GASKET	1



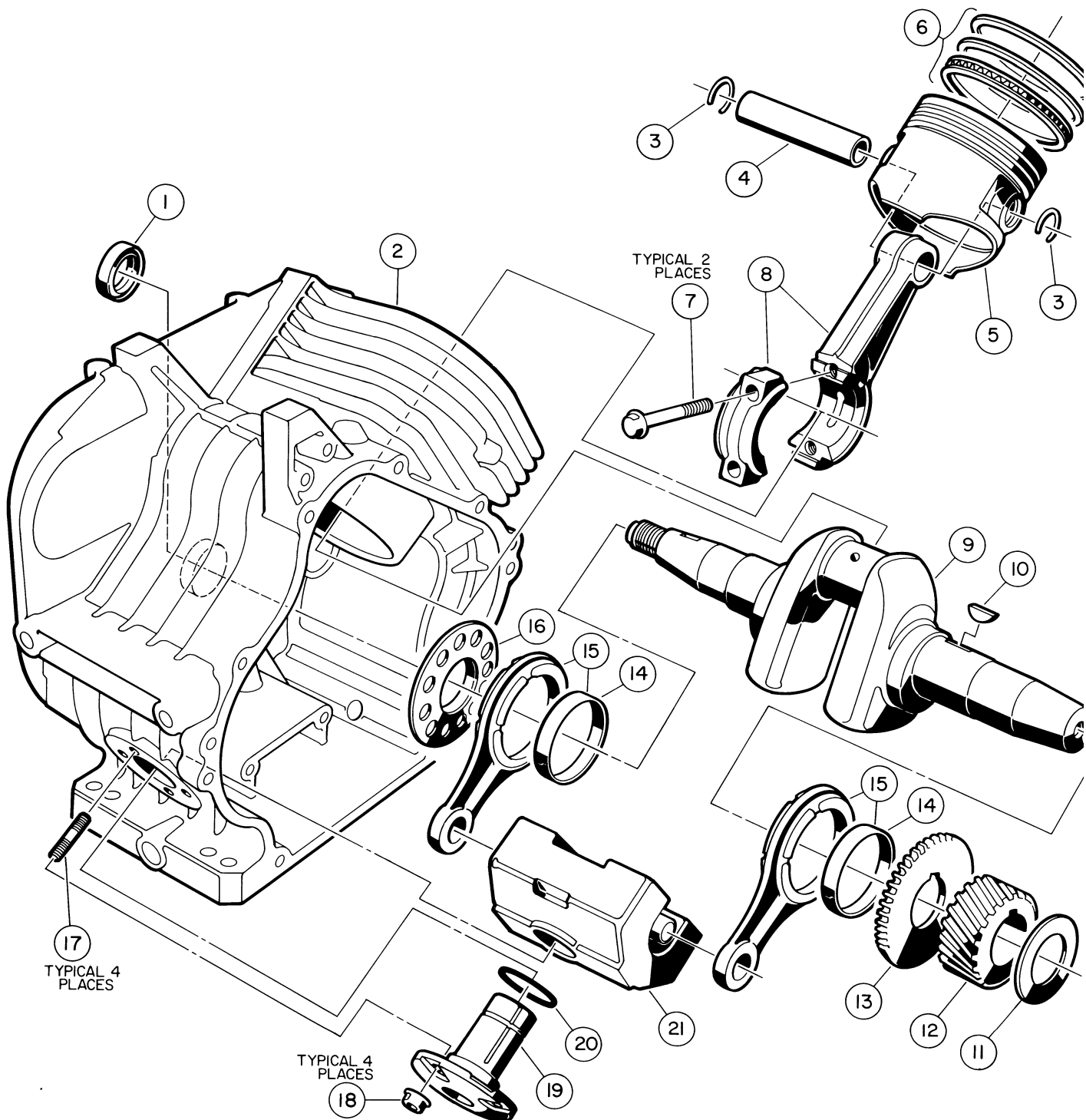
ENGINE

ENGINE

ITEM NUMBER	PART NUMBER	1 2 3 4				DESCRIPTION	UNITS PER VEHICLE
1	1016596					PLUG	1
2	1016535					CORD CONNECTOR	1
3	1016538					O-RING	1
4	1016506					CLAMP	1
5	1016544					CROSS PAN HEAD SELF TAPPING SCREW, 5MM DIAMETER X 12MM LONG	1
6	1016564					PIN	2
7	1016565					BALL BEARING	1
8	1016567					OIL SEAL	1
9	1016584					FLANGED 2-ENDED BOLT, M8 X 1.25	2
10	1016458					FLANGED BOLT, M8 X 1.25	6
11	1016520					CRANKCASE COVER	1
12	1016446					CRANKCASE COVER GASKET	1
13	1016456					FLANGED BOLT, M5 X 1.0 X 12MM LONG	2
14	1016510					SWITCH BRACKET	1
15	1016494					SENSOR	1
16	1016496					CROSS PAN HEAD SCREW, M4 X 0.7 X 8MM LONG	3
17	1016454					FLANGED BOLT, M5 X 0.8 X 8MM LONG	2
18	1016472					OIL FILTER PLATE	1
19	1016521					OIL FILTER	1
20	1016528					CAMSHAFT	1
21	1016453					TAPPET	2

G

6



ENGINE

ENGINE

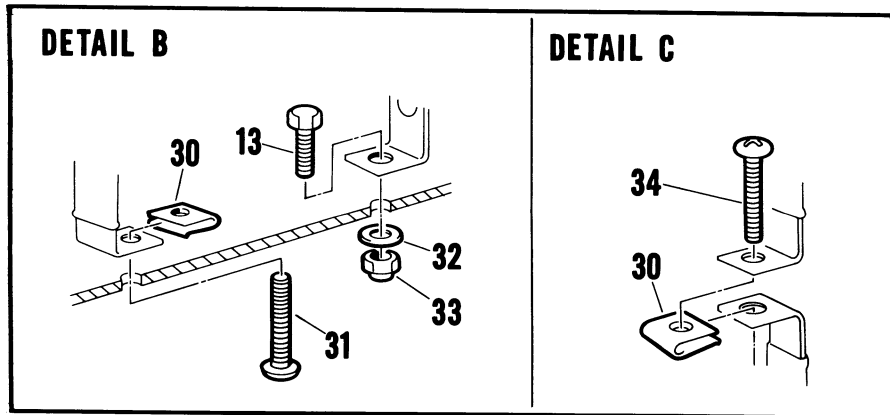
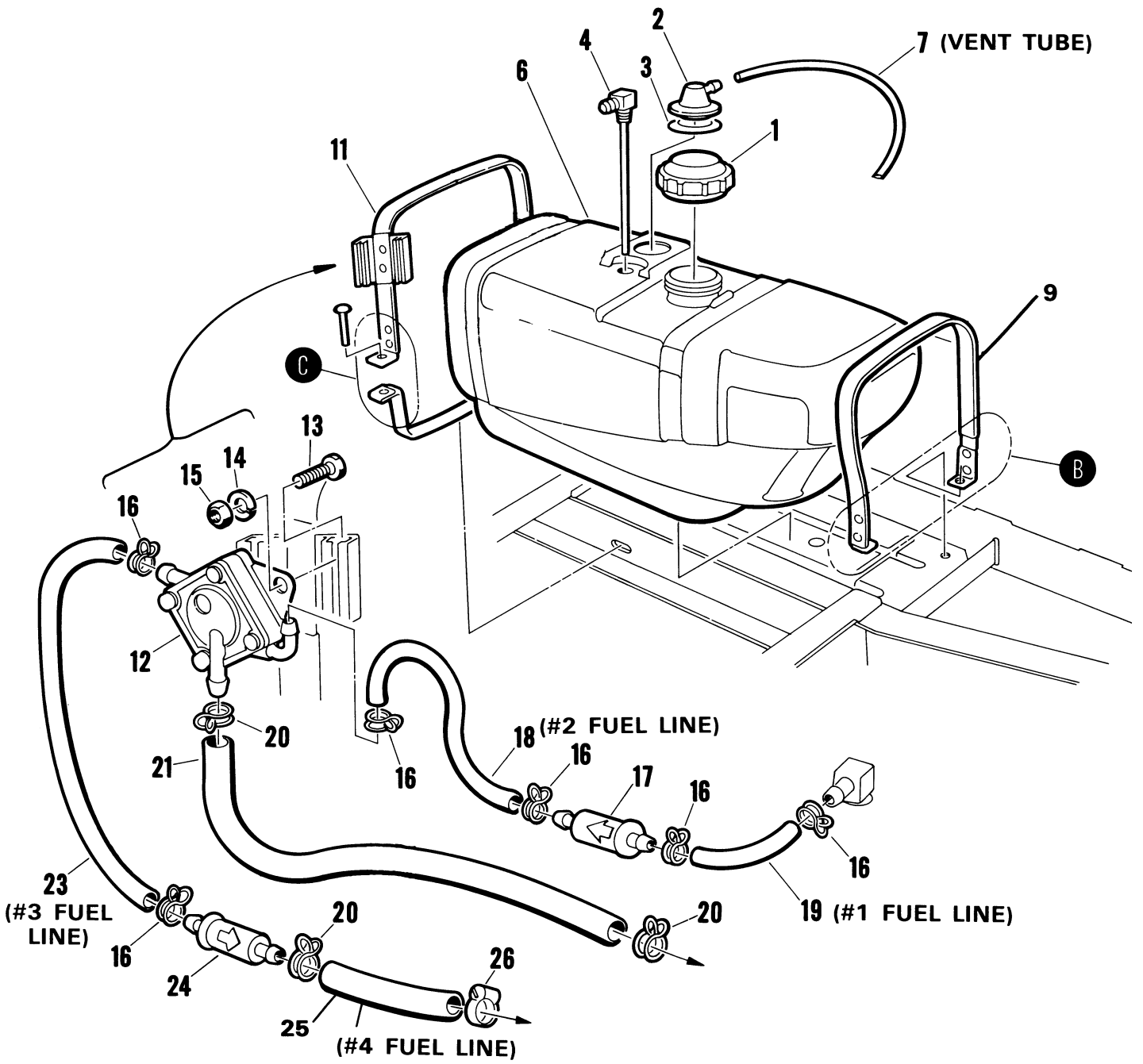
ITEM NUMBER	PART NUMBER	1 2 3 4				DESCRIPTION	UNITS PER VEHICLE
1	1016568					OIL SEAL	1
2	1016529					CRANKCASE	1
3	1016558					SNAP RING	1
4	1016460					PISTON PIN	2
5	1016459-01					PISTON — STANDARD	1
5	1016459-02					PISTON — .25MM OVERSIZE	1
5	1016459-03					PISTON — .50MM OVERSIZE	1
5	1016459-04					PISTON — .75MM OVERSIZE	1
6	1016461-01					PISTON RING — STANDARD	1
6	1016461-02					PISTON RING — .25MM OVERSIZE	1
6	1016461-03					PISTON RING — .50MM OVERSIZE	1
6	1016461-04					PISTON RING — .75MM OVERSIZE	1
7	1016509					BOLT	1
8	1016475-01					CONNECTING ROD ASSEMBLY — STANDARD	2
						INCLUDES 2 EACH ITEM 7	1
8	1016475-02					CONNECTING ROD ASSEMBLY — .50MM UNDERSIZE	1
						INCLUDES 2 EACH ITEM 7	
9	1016468					CRANKSHAFT	1
						INCLUDES 1 EACH ITEMS 10, 12, 13 AND 15	
10	1016562					KEY	1
11	1016550					SHIM	1
12	1016533					HELICAL GEAR	1
13	1016532					SPUR GEAR	1
14	1016580					PLAIN BEARING	1
15	1016516					CONNECTING ROD ASSEMBLY	2
						INCLUDES ITEM 14	2
16	1016559					SPACER	1
17	1016541					STUD M6 X 1.0	4
18	1016547					FLANGED NUT M6 X 1.0	4
19	1016420					SHAFT	1
20	1016571					O-RING	1
21	1016469					WEIGHT	1

G

6

Section 7

FUEL, INTAKE AND GOVERNOR SYSTEM



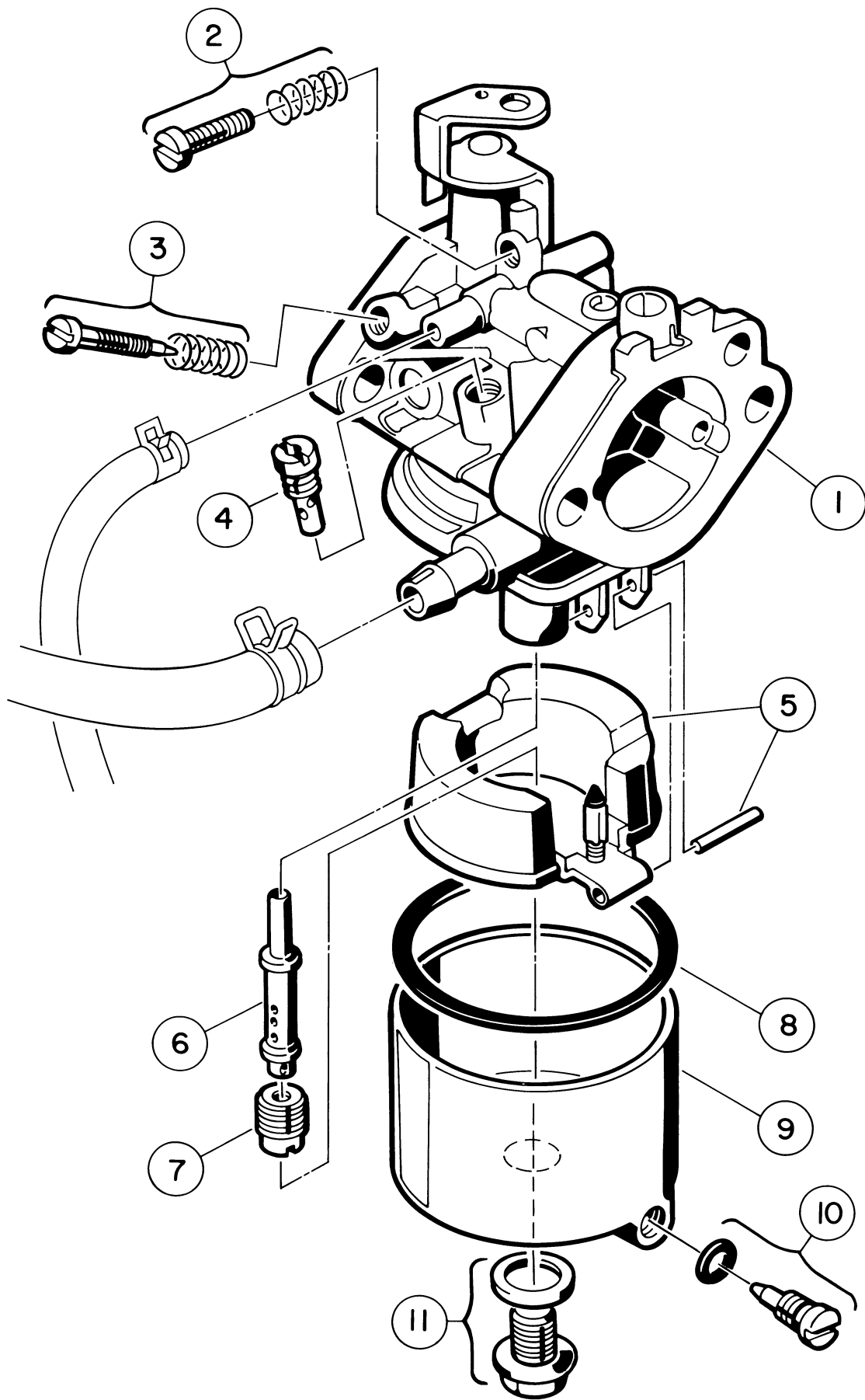
FUEL SYSTEM ASSEMBLY

FUEL SYSTEM ASSEMBLY

ITEM NUMBER	PART NUMBER	1 2 3 4	DESCRIPTION	UNITS PER VEHICLE
1	1015188		FUEL TANK CAP	1
2	1015143		FUEL TANK VENT	1
3	1015139		INSULATION GROMMET	1
4	1012619		FUEL PICK-UP TUBE	1
5	1015921		WIRE ASSEMBLY #16 BLACK	1
6	1016003		FUEL TANK ASSEMBLY	1
			INCLUDES ITEMS 1 THRU 3 AND ITEM 7	1
7	NO #		VENT FUEL LINE, 17"	1
			SEE ITEM 37	
9	1014928		REAR FUEL STRAP ASSEMBLY	1
11	1014927		FRONT FUEL STRAP ASSEMBLY	1
12	1014523		FUEL PUMP	1
12A	1014524		FUEL PUMP REBUILD KIT	A/R
13	7847		HEX HEAD BOLT, 1/4-20 X 3/4	3
14	451		LOCKWASHER, HEL SP, 1/4" DIAMETER	2
15	1028		HEX NUT, 1/4-20	2
16	1013134		HOSE CLAMP (RED)	6
17	1013684		PRIMARY FUEL FILTER (WHITE)	1
18	NO #		FUEL LINE, 6"	1
			SEE ITEM 35	
19	NO #		FUEL LINE, 2"	1
			SEE ITEM 35	
20	1012649		HOSE CLAMP	3
21	NO #		IMPULSE LINE, 19-1/4"	1
			SEE ITEM 36	
22	8639		TIE WRAP (IF USED)	1
23	NO #		FUEL LINE, 22"	1
			SEE ITEM 35	
24	1014522		SECONDARY FUEL FILTER (BLUE)	1
25	NO #		FUEL LINE, 2-1/4"	1
			SEE ITEM 36	
26	1013687		HOSE CLAMP, 3/8" DIAMETER	1
30	1014116		SPEED NUT, U-TYPE, 1/4-20	2
31	1013176		PH TR HEAD SCREW, 1/4-20 X 2-1/2	1
32	332		FLATWASHER, 1/4" DIAMETER	1
33	8233		NYLON LOCKNUT, 1/4-20	1
34	1011988		PH TR HEAD SCREW, 1/4-20 X 2	1
35	1012293		FUEL LINE BULK	A/R
36	1013692		FUEL LINE BULK	A/R
37	1015137		FUEL LINE BULK	A/R

G

7



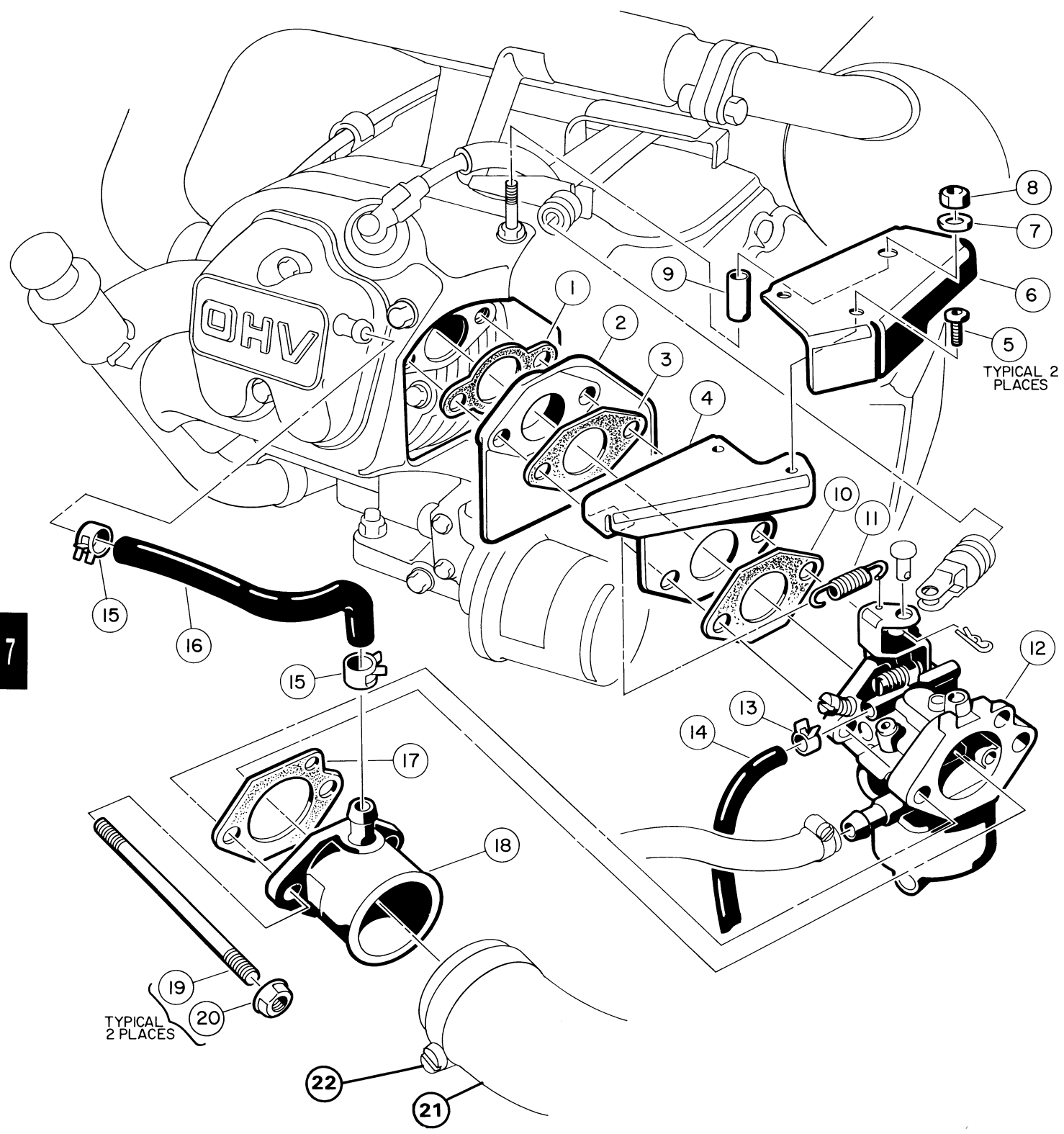
CARBURETOR ASSEMBLY

CARBURETOR ASSEMBLY

ITEM NUMBER	PART NUMBER	1 2 3 4	DESCRIPTION	UNITS PER VEHICLE
1	1016478		CARBURETOR ASSEMBLY INCLUDES ITEMS 2 THRU 11 AND CARBURETOR BODY WITH THROTTLE VALVE	1
2	1016501		SCREW ASSEMBLY	1
3	1016500		SCREW ASSEMBLY	1
4	1016574		PILOT JET, #45	1
5	1016486		FLOAT ASSEMBLY	1
6	1016530		MAIN NOZZLE	1
7	1016425-70		MAIN JET	1
7	1016425-72		MAIN JET	1
7	1016425-75		MAIN JET	1
7	1016425-78		MAIN JET	1
7	1016425-80		MAIN JET	1
8	1016437		GASKET	1
9	1016487		FLOAT CHAMBER ASSEMBLY INCLUDES ITEM 10 AND FLOAT CHAMBER	1
10	1016499		SCREW ASSEMBLY	1
11	1016585		BOLT	1

G

7



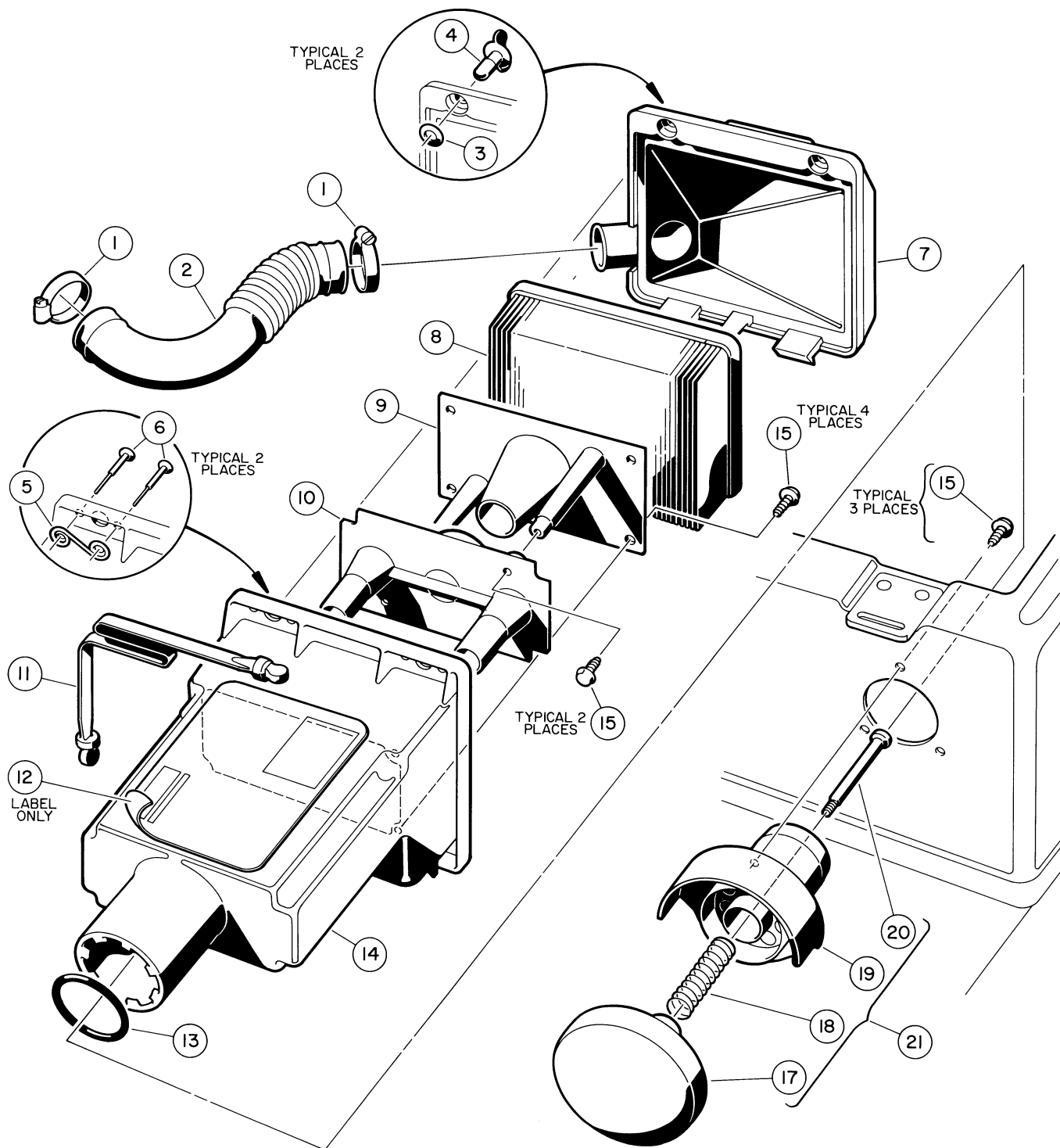
GOVERNOR GUARD AND INTAKE HOSE

GOVERNOR GUARD AND INTAKE HOSE

ITEM NUMBER	PART NUMBER	1 2 3 4 DESCRIPTION	UNITS PER VEHICLE
1	1016440	INSULATOR GASKET	1
2	1016481	INSULATOR	1
3	1016439	CARBURETOR GASKET	1
4	1016444	BRACKET	1
5	1016103	PAN HEAD, TORX HEAD, SELF-TAPPING SCREW, #6-32 X 1/4	2
6	1016102	GOVERNOR GUARD	1
7	451	LOCKWASHER, 1/4" DIAMETER	1
8	1011114	HEX NUT, M6	1
9	1016848	SPACER	1
10	1016441	GASKET	1
11	1016582	SPRING	1
12	1016478	CARBURETOR ASSEMBLY	1
13	1013746	HOSE CLAMP	1
14	1015877-01	AIR VENT TUBE	1
15	1013746	HOSE CLAMP	1
16	1016572	TUBE	2
17	1016438	AIR FILTER GASKET	1
18	1016480	INTAKE PIPE	1
19	1016490	STUD BOLT	1
20	1016547	FLANGED NUT, M6	2
21	1016228	HOSE — INTAKE	2
22	1015430	CLAMP — HOSE	1
			2

G

7



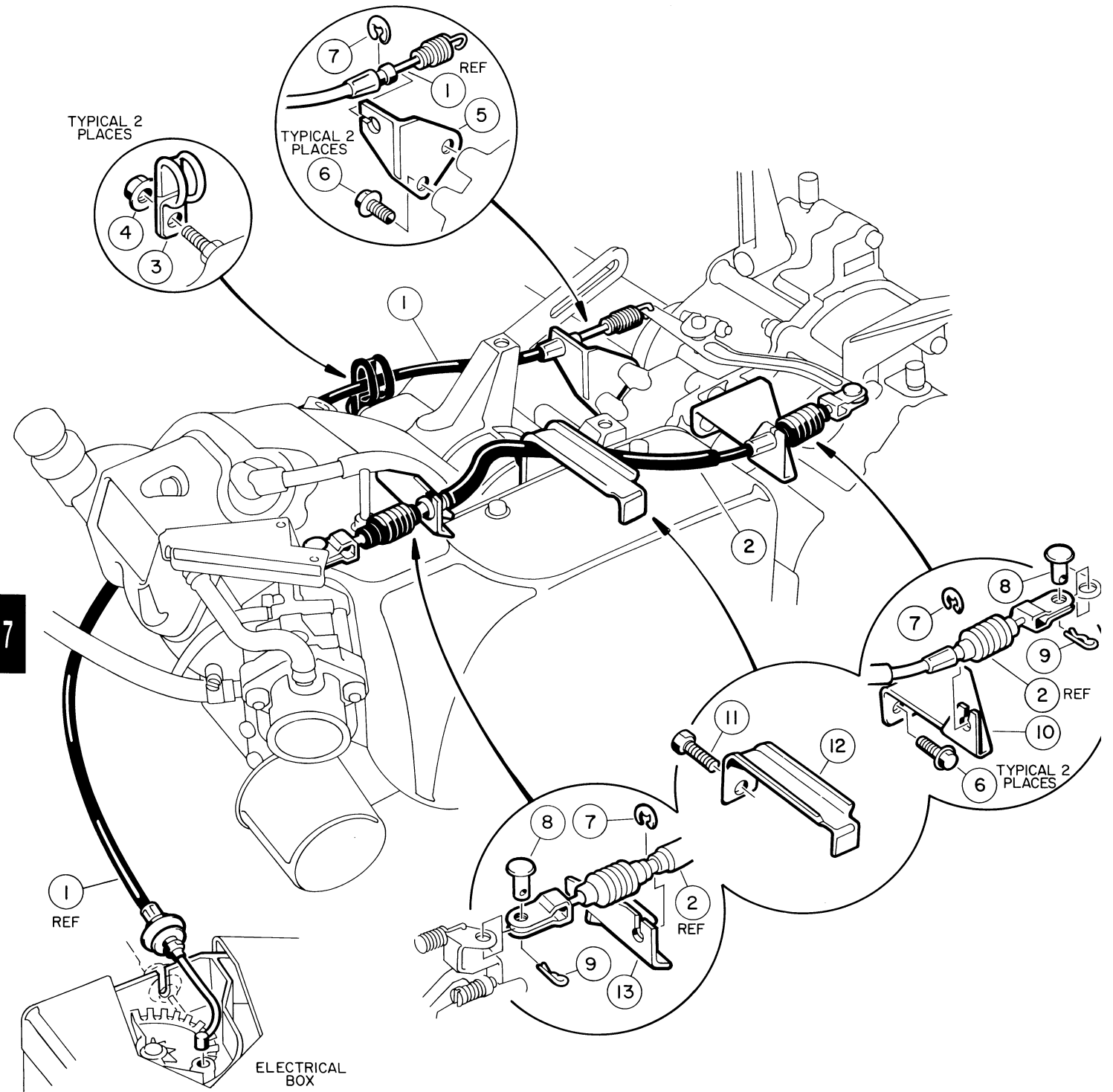
EXPANSION CHAMBER, CHOKE AND FILTER

EXPANSION CHAMBER, CHOKE AND FILTER

ITEM NUMBER	PART NUMBER	1 2 3 4	DESCRIPTION	UNITS PER VEHICLE
1	1015430		HOSE CLAMP	2
2	1016228		INTAKE HOSE	1
3	1015291		FASTENER GROMMET	2
4	1015290		WING HEAD STUD	2
5	1015292		FASTENER SPRING	2
6	1015727		POP RIVET	4
7	1015293		EXPANSION CHAMBER COVER	1
8	1015426		AIR FILTER ELEMENT	1
9	1015542		SECONDARY AIR BOX BAFFLE	1
10	1015541		PRIMARY AIR BOX BAFFLE	1
11	1015577		RETENSION STRAP	1
12	1016062		SERVICE DECAL	1
13	1015425		O-RING	1
14	1015540		EXPANSION CHAMBER	1
15	1015289		HI-LO SCREW, #10 X 5/8 LONG	9
17	1012629		CHOKE COVER	1
18	1012633		CHOKE SPRING	1
19	1015485		CHOKE BASE	1
20	1012634		SHOULDER SCREW	1
21	1015745		CHOKE ASSEMBLY INCLUDES ITEMS 17 THRU 20	1

G

7



GOVERNOR AND ACCELERATOR CABLES

GOVERNOR AND ACCELERATOR CABLES

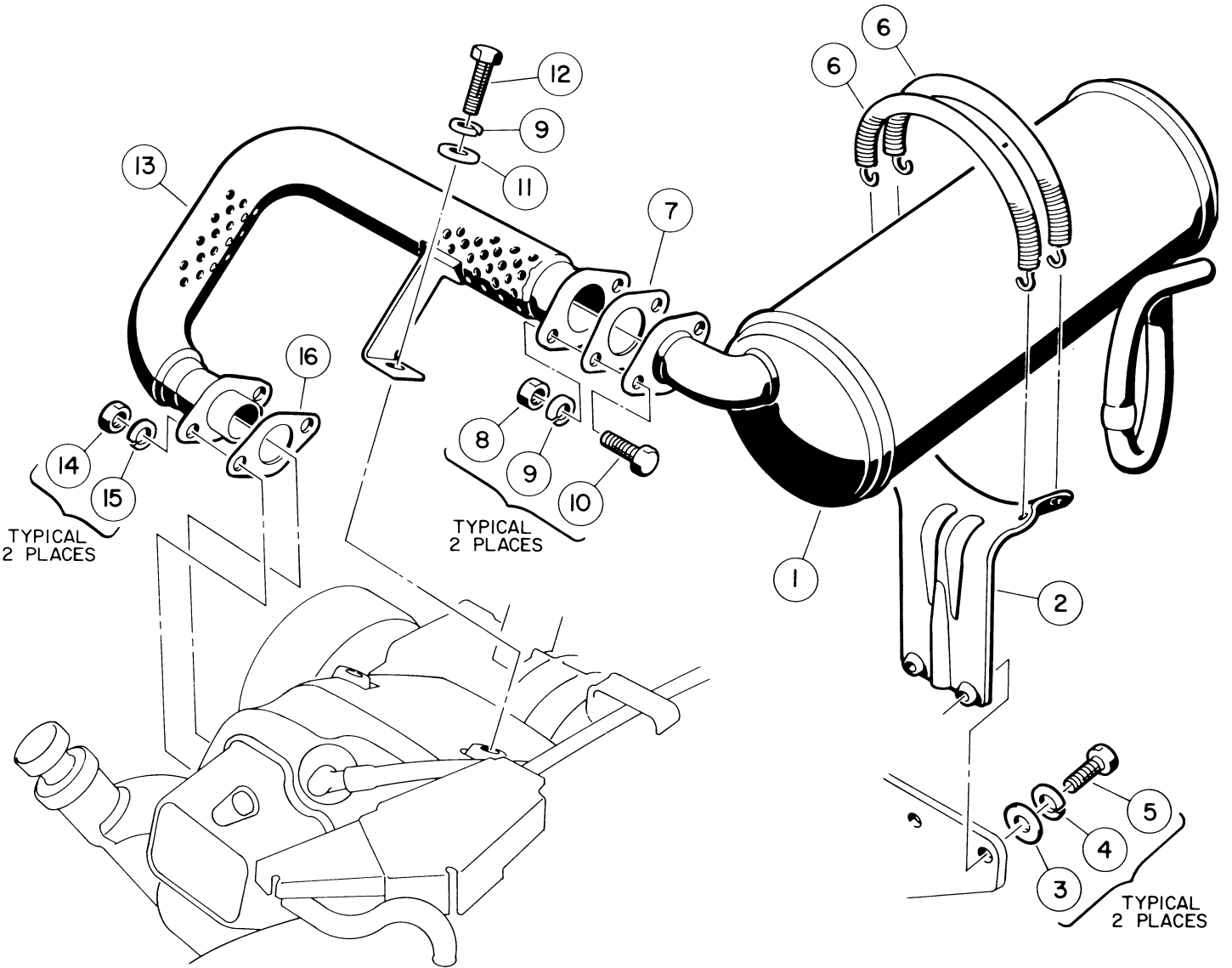
ITEM NUMBER	PART NUMBER	DESCRIPTION	UNITS PER VEHICLE
1	1015225	ACCELERATOR CABLE	1
2	1015226	GOVERNOR CABLE	1
3	1013700	CLAMP — HOSE RETAINING	2
4	1016546	NUT	2
5	1015410	ACCELERATOR SUPPORT BRACKET	1
6	1015746	SCREW, 1/4-20 X 5/8" LONG THREAD FORMING	4
7	1016202	"E"-CLIP	3
8	1015408	CLEVIS PIN	2
9	1014413	HAIR SPRING COTTER — 1/8" I.D. X 5/8" LONG	2
10	1015411	SUPPORT BRACKET	1
11	1016456	FLANGED BOLT	1
12	1016057	THROTTLE CABLE CLAMP	1
13	1015845	GOVERNOR CABLE BRACKET	1

G

7

Section 8

EXHAUST SYSTEM



EXHAUST SYSTEM

EXHAUST SYSTEM

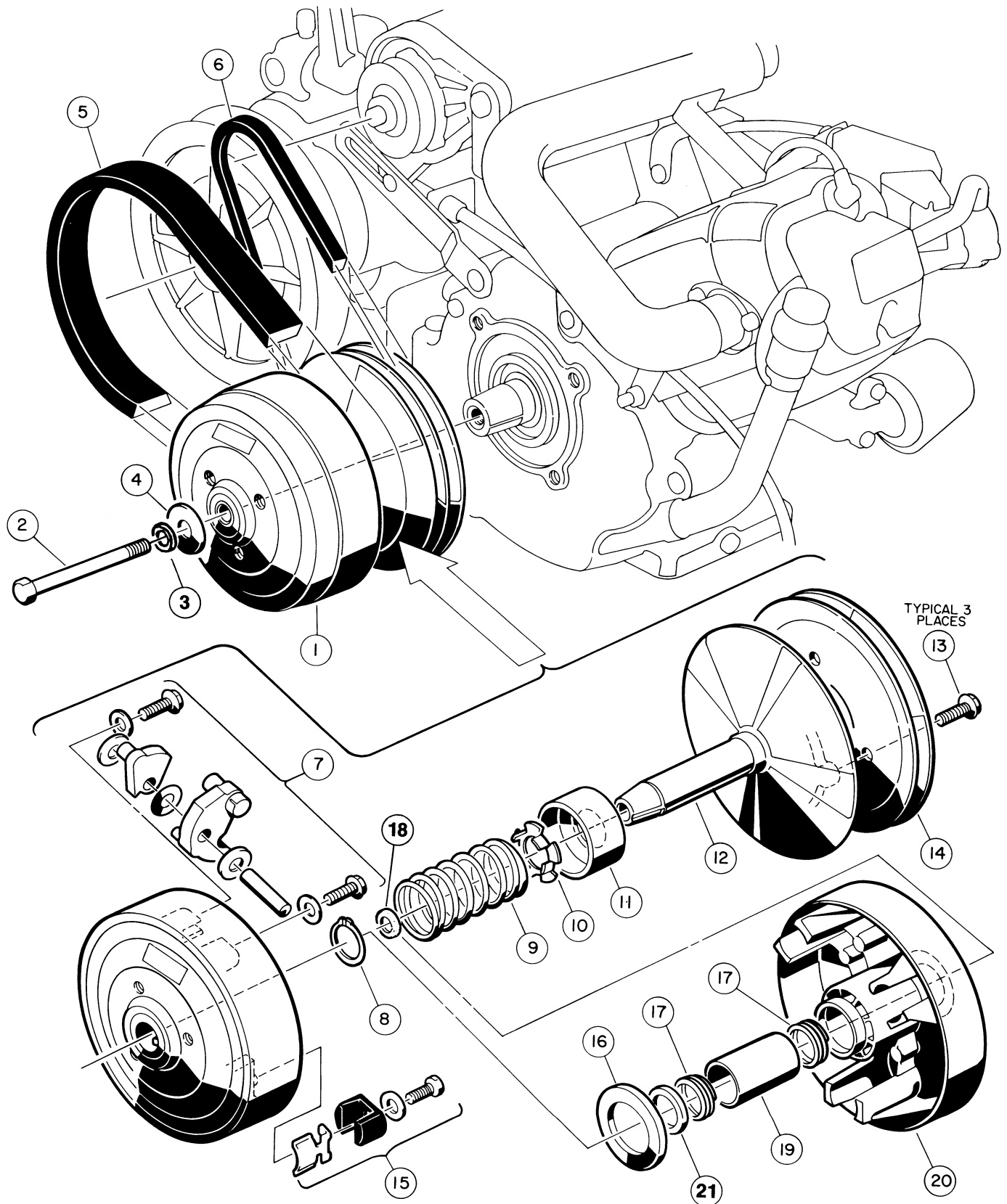
ITEM NUMBER	PART NUMBER	1 2 3 4				DESCRIPTION	UNITS PER VEHICLE
1	1016821					MUFFLER	1
2	1015814					MUFFLER BRACKET	1
3	332					FLATWASHER, 1/4" DIAMETER	1
4	451					LOCKWASHER, 1/4" DIAMETER	2
5	7847					HEX HEAD SCREW, 1/4-20 X 3/4	2
6	1015881					MUFFLER SPRING	2
7	1015450					GASKET	2
8	1242					HEX NUT, 5/16-18	1
9	7174					LOCKWASHER, 5/16" DIAMETER	2
10	1010934					HEX HEAD BOLT, 5/16-18 X 1	2
11	1011697					FLATWASHER, 5/16" DIAMETER	2
12	1012830					HEX HEAD SCREW, M8-1.25 X 22MM BOLT	1
13	1015247					EXHAUST HEADER	1
14	1012528					HEX NUT, 8MM	1
15	1013734					LOCKWASHER, 8MM	2
16	1015330					GASKET	2
							1

G

8

Section 9

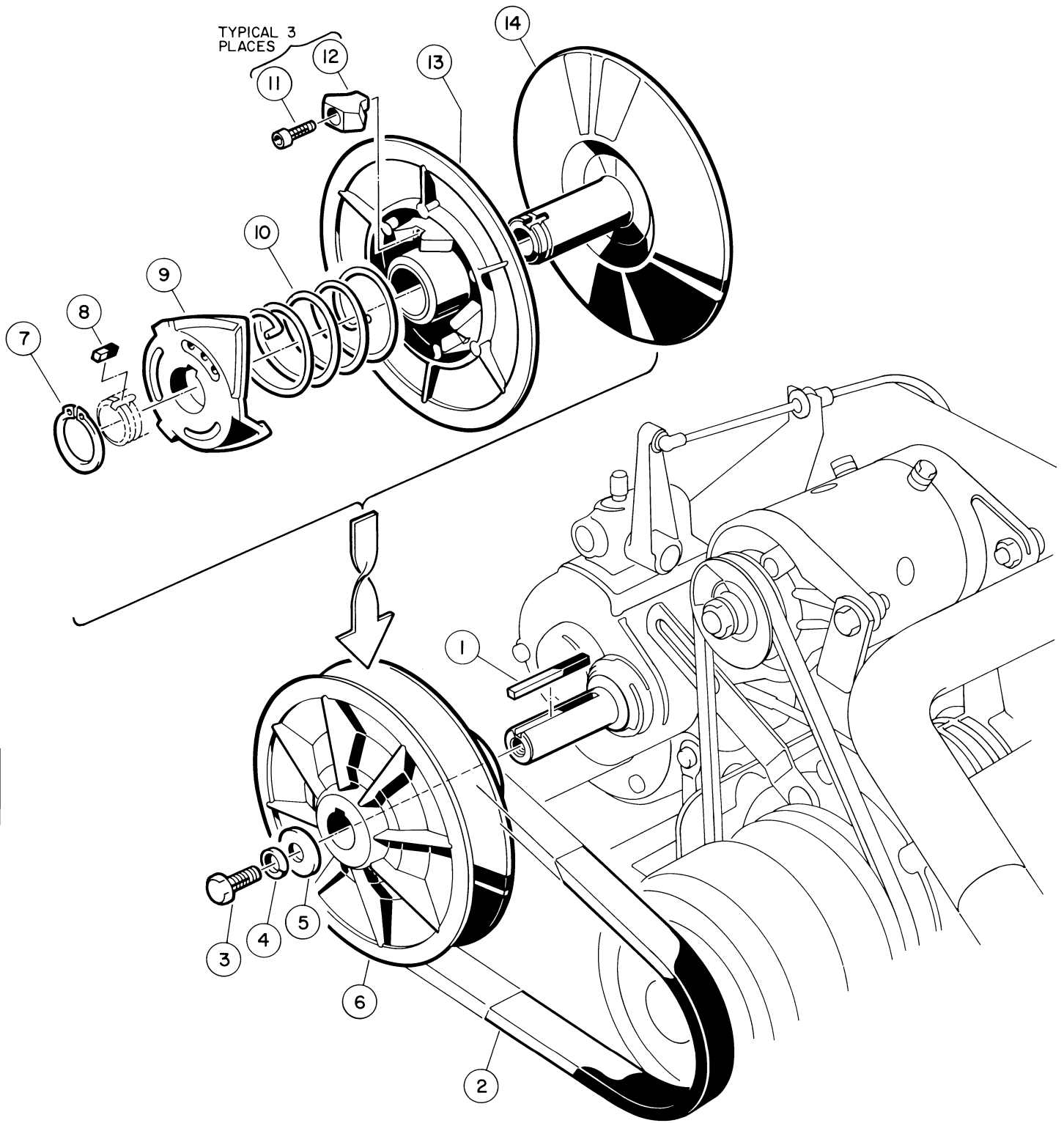
TORQUE CONVERTER



DRIVE CLUTCH ASSEMBLY

DRIVE CLUTCH ASSEMBLY

ITEM NUMBER	PART NUMBER	1 2 3 4	DESCRIPTION	UNITS PER VEHICLE
	1016378-02		DRIVE CLUTCH ASSEMBLY	
1	1014059		DRIVE HUB	1
2	1012441		3/8"-24 X 5-1/2" HEX BOLT	1
3	357		3/8" LOCKWASHER	1
4	808		3/8" TYPE B FLATWASHER	1
5	1016203		DRIVE BELT	1
6	1015241		STARTER/GENERATOR BELT	1
7	1016801		DRIVE CLUTCH WEIGHT KIT — OHV	1
8	1014057		RETAINING RING	1
9	1014051		SPRING — DRIVE CLUTCH	1
10	1014050		SPRING RETAINER	1
11	1014049		IDLER BEARING	1
12	1014451		FIXED FACE — DRIVE	1
			INCLUDES ITEMS 12, 13 AND 14	
15	1014453		DRIVE CLUTCH BUTTON KIT	1
16	1014058		THRUST WASHER	1
17	1014056		SPIRAL — BACK-UP RING	2
18	1016289		SPACER — NYLON	1
20	1014052		MOVABLE FACE ASSEMBLY	1
			INCLUDES ITEMS 19 AND 21	
21	1014055		RETAINER	1



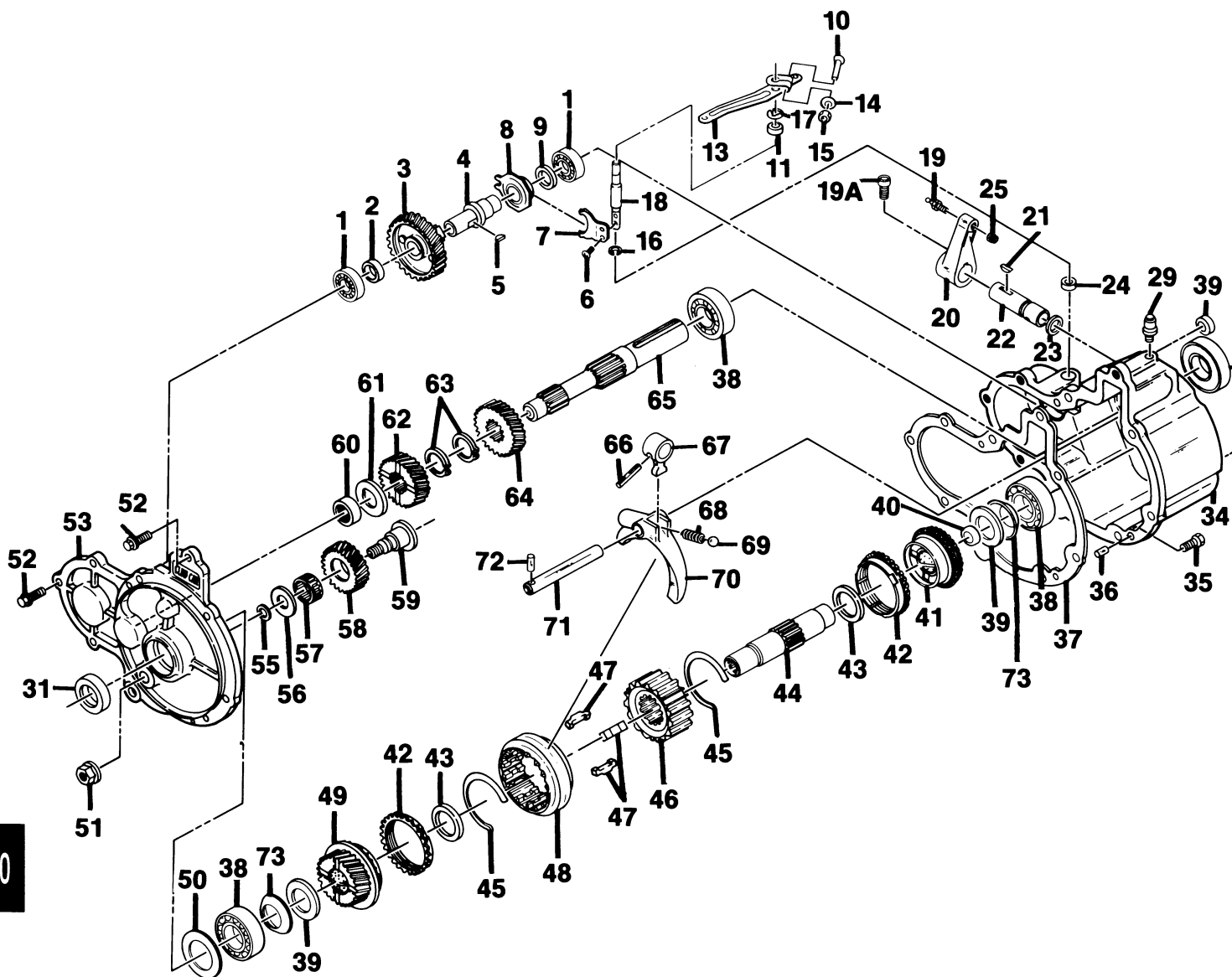
DRIVEN CLUTCH ASSEMBLY

DRIVEN CLUTCH ASSEMBLY

ITEM NUMBER	PART NUMBER	1 2 3 4	DESCRIPTION	UNITS PER VEHICLE
	1016360-02		DRIVEN CLUTCH ASSEMBLY	
1	1012455		SHAFT KEY	1
2	1016203		DRIVE BELT	1
3	7173		HEX HEAD BOLT, 5/16-18 X 3/4	1
4	7174		LOCKWASHER, 5/16" DIAMETER	1
5	1012571		HEAVY FLATWASHER, 5/16" DIAMETER	1
6	1016360-02		DRIVEN CLUTCH ASSEMBLY INCLUDES ITEMS 7 THRU 14	1
7	1014080		RETAINING RING	1
8	1014078		SHORT KEY	1
9	1014077		CAM	1
10	1016665		90° SPRING	1
11	1012836		SOC HEAD CAP SCREW, #8-32 X 3/4	3
12	1014076		DRIVE BUTTON	3
13	1014072		MOVABLE FACE ASSEMBLY	1
14	1014070		FIXED FACE ASSEMBLY	1
	1014454		DRIVEN CLUTCH BUTTON KIT INCLUDES ITEMS 11 AND 12	1

Section 10

TRANSMISSION AND GOVERNOR



TRANSMISSION AND GOVERNOR ASSEMBLY

TRANSMISSION AND GOVERNOR ASSEMBLY

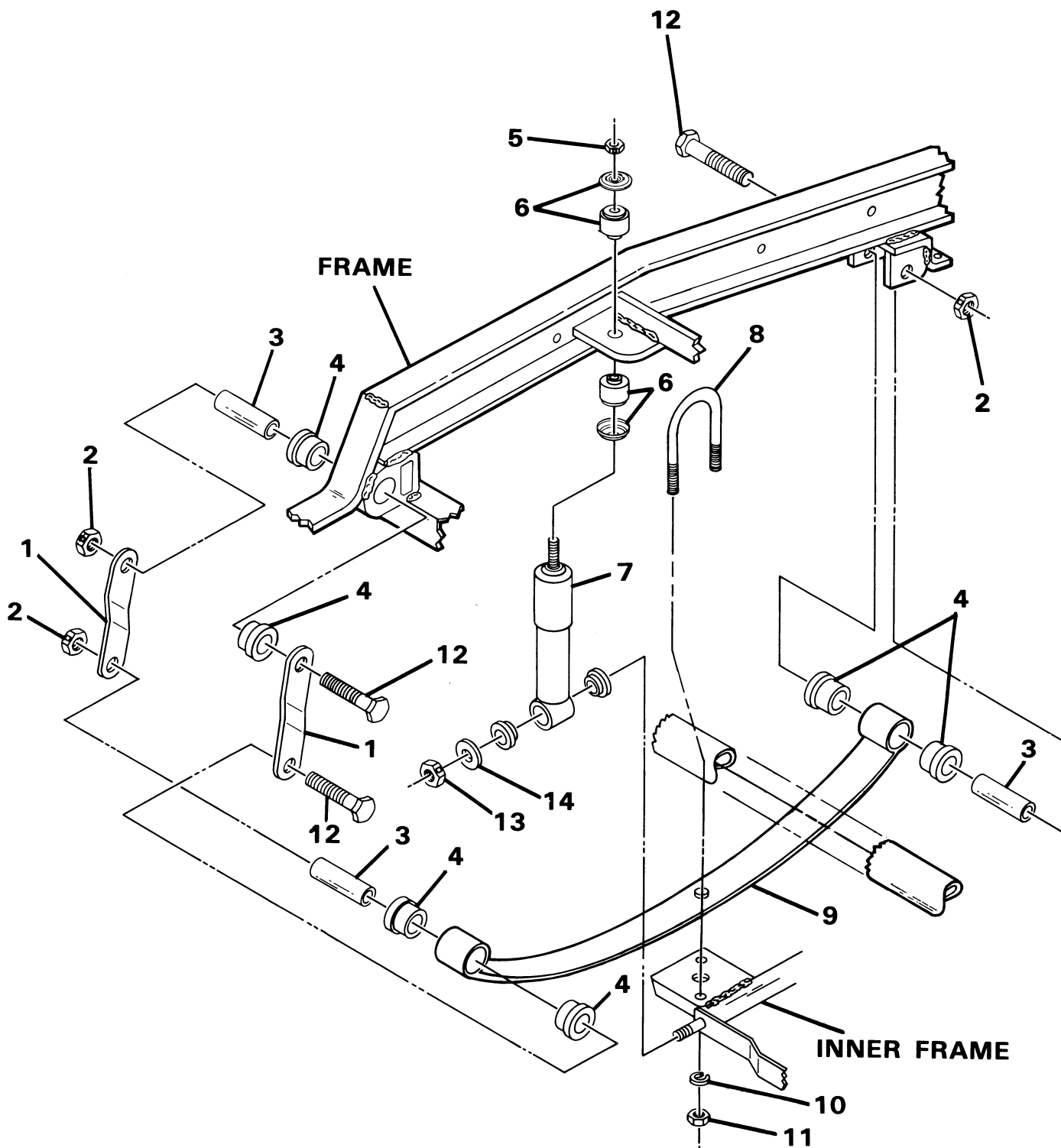
ITEM NUMBER	PART NUMBER	DESCRIPTION				UNITS PER VEHICLE
		1	2	3	4	
	1015747	TRANSMISSION ASSEMBLY				1
1	1012761	BALL BEARING				2
2	1012759	SPACER-THICK				1
3	1012755	GOVERNOR GEAR, 41 TOOTH				1
4	1016598	GOVERNOR SHAFT				1
5	1012760	GOVERNOR SHAFT KEY				1
6	1012764	SCREW, M4 X 0.7 X 6MM				2
7	1012763	GOVERNOR ARM, INTERNAL				1
8	1012757	GOVERNOR SLEEVE				1
9	1012758	SPACER-THIN				1
10	1016540	BOLT, M6 X 1 X 25MM HEX				1
11	1012772	GOVERNOR ARM PIVOT				1
13	1015710	GOVERNOR ARM, EXTERNAL				1
14	1016513	WASHER, FLAT				1
15	1012770	NUT, M6 X 1				1
16	1012766	SNAP RING				2
17	1012765	WASHER				1
18	1012762	GOVERNOR ARM SHAFT				1
19	1010954	BALL STUD				1
19A	1012602	CAP SCREW, SOCKET HEAD, 10-24 X 3/8"				1
20	1016341	TRANSMISSION SHIFTER LEVER				1
21	1012753	SHIFTER SHAFT KEY				1
22	1012751	SHIFTER SHAFT				1
23	1012754	O-RING				1
24	1012767	OIL SEAL				1
25	8717	LOCKNUT, 1/4-28 NYLON				1
29	1012711	BREATHER				1
30	1012714	OIL SEAL				2
32	1013759	DRAIN PLUG WITH GASKET				1
34	1013960	GEAR CASE				1
35	1012719	BOLT, M6 X 1 X 14MM HEX				1
36	1012710	DOWEL PIN				2
37	1012717	CASE GASKET				1
38	7336	BALL BEARING				3
39	1016337	THRUST WASHER				2
40	1012735	PLUG				2
41	1016591	GEAR ASSEMBLY, 28 TOOTH				1
42	1012742	SYNCHRONIZER RING				2
43	1012743	THRUST WASHER				2
44	1012734	OUTPUT SHAFT				1
45	1012741	SYNCHRO SPRING				2
46	1012738	CLUTCH HUB				1
47	1012740	SYNCHRO INSERT				3
48	1012739	SLEEVE				1
49	1012737	GEAR ASSEMBLY, 34 TOOTH				1
50	1012783	SHIM 0.2MM				A/R
50	1012784	SHIM 0.1MM				A/R
51	1012733	FLANGE NUT, M12 X 1.25				1
52	1012718	BOLT, M6 X 1 X 20MM HEX				4
53	1012715	COVER				1
55	1012732	O-RING				1
56	1012730	THRUST WASHER				1
57	1012731	NEEDLE BEARING				1
58	1012729	REVERSE IDLER GEAR				1
59	1012728	IDLER SHAFT				1
60	1012716	NEEDLE BEARING				1
61	1012723	THRUST WASHER, 3.0MM				A/R
61	1012724	THRUST WASHER, 3.3MM WHITE				A/R
61	1012725	THRUST WASHER, 3.6MM YELLOW				A/R
62	1012722	GEAR, 25 TOOTH				1
63	1012727	SNAP RING				2
64	1016594	GEAR, 29 TOOTH				1
65	1012720	INPUT SHAFT				1
66	1012752	ROLL PIN				1
67	1012750	SHIFTER ARM LEVER, INSIDE				1
68	1012748	SHIFTER SPRING				1
69	1012747	SHIFTER BALL				1
70	1012746	SLEEVE SHIFT ARM				1
71	1012745	SHIFT ROD				1
72	1012749	ROLL PIN				1
73	1016338	BELLEVILLE SPRING				2

G

10

Section 11

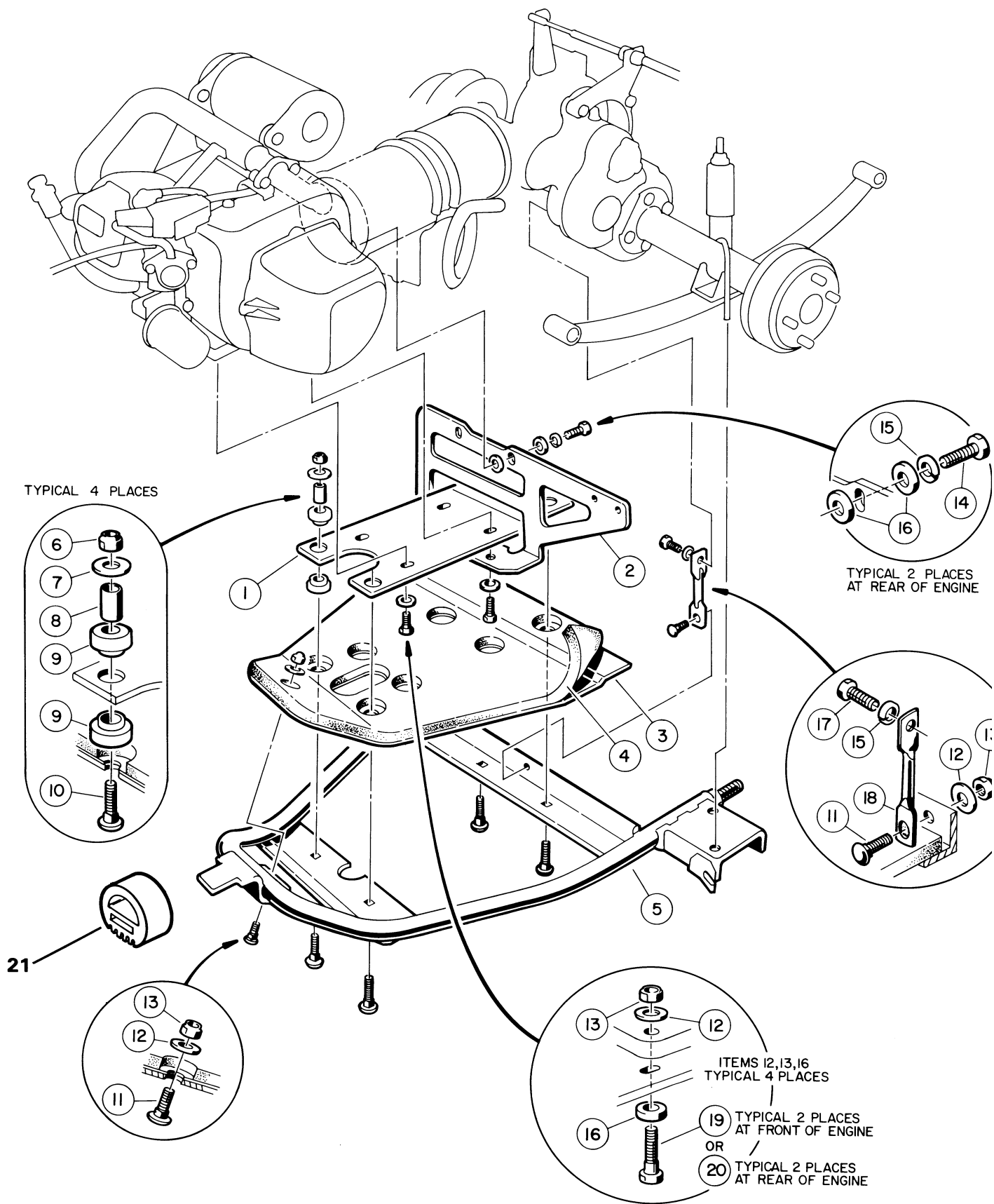
REAR SUSPENSION



REAR SUSPENSION ASSEMBLY

REAR SUSPENSION ASSEMBLY

ITEM NUMBER	PART NUMBER	1 2 3 4	DESCRIPTION	UNITS PER VEHICLE
1	1012304		REAR SPRING SHACKLE	4
2	1010138		DIMPLED LOCKNUT, 3/8-16 UNC	6
3	1012303		STEEL BUSHING	4
4	1015583		URETHANE BUSHING	12
5	1010145		NUT, 3/8-24 UNC HEX	2
6	1011415		SHOCK ABSORBER CUSHION KIT	2
7	1014234		SHOCK ABSORBER KIT INCLUDES ITEM 6	1
8	1012180		"U" BOLT	2
9	1012324		REAR SPRING	2
10	357		LOCKWASHER, 3/8	4
11	706		NUT, 3/8-16 UNC HEX	8
12	8755		BOLT, HEX, 3/8-16 UNC X 3-3/8"	6
13	1010188		DIMPLED LOCKNUT, 5/8-11	2
14	1010193		FLATWASHER, 5/8	2
15	1012781		SHOCK ABSORBER KIT INCLUDES ITEMS 6 AND 7	1



INNER FRAME ASSEMBLY

INNER FRAME ASSEMBLY

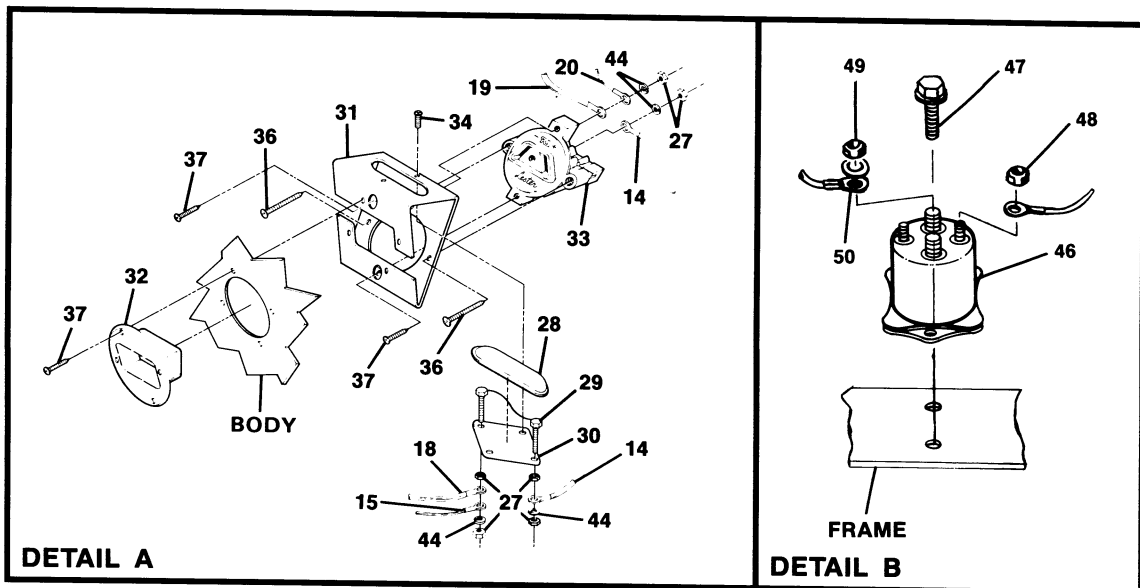
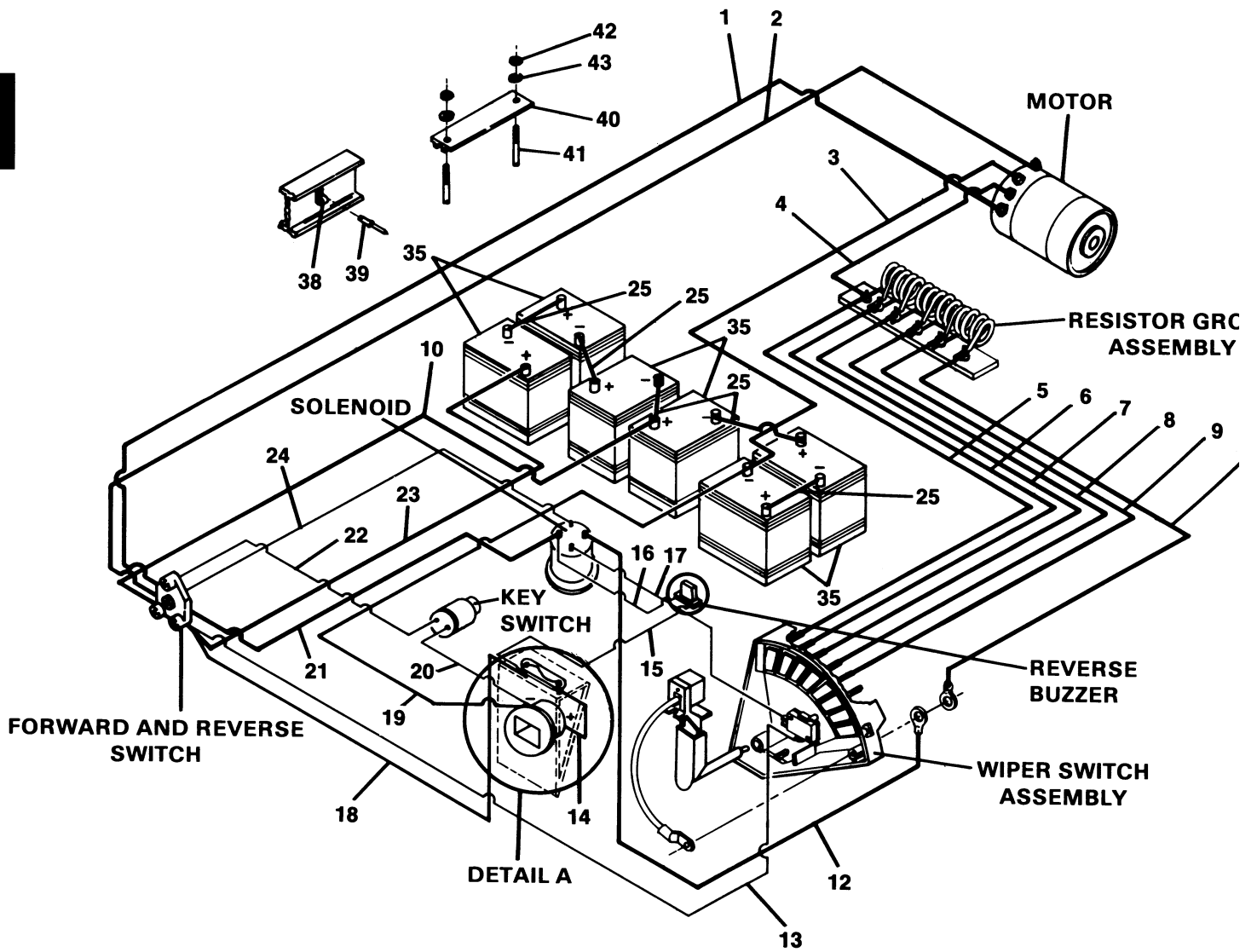
G

ITEM NUMBER	PART NUMBER	DESCRIPTION	UNITS PER VEHICLE
1	1016869	ENGINE MOUNTING PLATE	1
2	1016206	MUFFLER MOUNTING PLATE	1
3	1016196	BELLY PAN	1
4	1016197	SOUND INSULATION	1
5	1016870	INNER FRAME	1
6	8754	NYLON LOCKNUT, 3/8-16	4
7	808	FLATWASHER	4
8	1012291	STEEL BUSHING	4
9	1012290	ENGINE MOUNTS	8
10	1012428	ROUND HEAD SQUARE NECK BOLT, 3/8-16 X 2-1/4	4
11	1015932	ROUND HEAD SQUARE NECK BOLT, 5/16-18 X 1	2
12	1241	FLATWASHER, 5/16" DIAMETER	6
13	7473	NYLON LOCKNUT, 5/16-18	6
14	1015709	HEX HEAD CAP SCREW, M8-1.25 X 30MM	2
15	7174	LOCKWASHER, 5/16" DIAMETER	3
16	1012571	HEAVY FLATWASHER, 5/16" DIAMETER	8
17	1010577	HEX HEAD SCREW, 5/16-18 X 1-1/2	1
18	1016200-01	TRANSMISSION STRAP	1
19	8963	HEX HEAD BOLT, 5/16-18 X 1-3/4	2
20	8916	HEX HEAD CAP SCREW, 5/16-18 X 2	2
21	1012164	SNUBBER	1

11

Section 12

ELECTRICAL



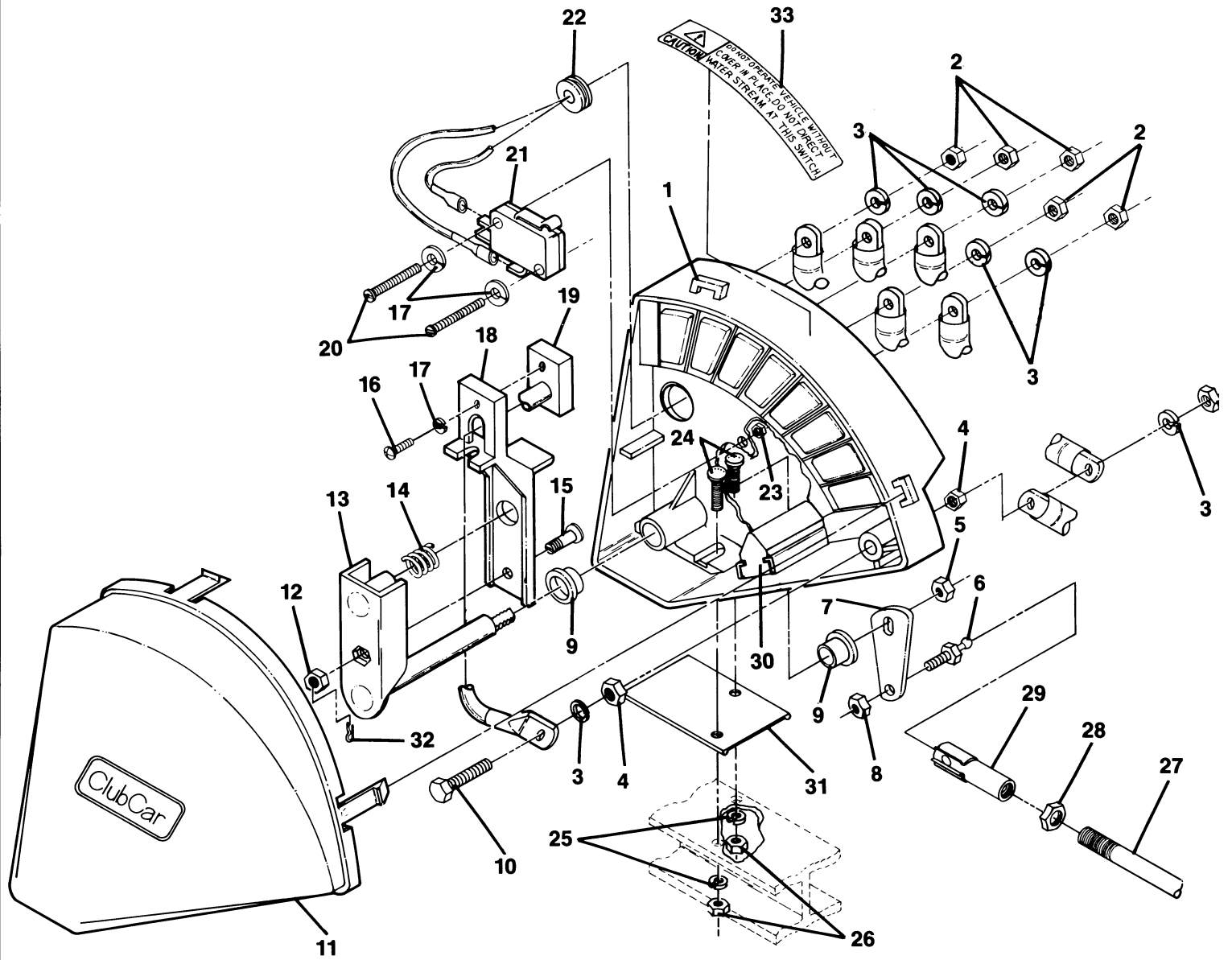
POWER WIRING — ELECTRIC VEHICLE

POWER WIRING — ELECTRIC VEHICLE

ITEM NUMBER	PART NUMBER	1 2 3 4 DESCRIPTION	UNITS PER VEHICLE
1	1016070	WIRE ASSEMBLY #6 BROWN	1
2	1016069	WIRE ASSEMBLY #6 PURPLE	1
3	1012651	WIRE ASSEMBLY #6 BLACK	1
4	1016068	WIRE ASSEMBLY #6 GREY	1
5	1014036	WIRE ASSEMBLY #6 BLACK	1
6	1014035	WIRE ASSEMBLY #6 BLUE	1
7	1014034	WIRE ASSEMBLY #6 GREEN	1
8	1014033	WIRE ASSEMBLY #6 YELLOW	1
9	1014032	WIRE ASSEMBLY #6 ORANGE	1
10	1014828	WIRE ASSEMBLY #6 GREEN	1
11	1014030	WIRE ASSEMBLY #6 WHITE	1
12	1014029	WIRE ASSEMBLY #6 WHITE	1
13	1014022	WIRE ASSEMBLY #18 RED	1
14	1013092	WIRE ASSEMBLY #10 RED	1
15	1014024	WIRE ASSEMBLY #18 ORANGE	1
16	1012230	WIRE ASSEMBLY #18 WHITE	1
17	1014023	WIRE ASSEMBLY #18 GREEN	1
18	1012237	WIRE ASSEMBLY #10 RED	1
19	1011010	WIRE ASSEMBLY #10 WHITE	1
20	1011007	WIRE ASSEMBLY #18 RED	1
21	1014039	WIRE ASSEMBLY #6 WHITE	1
22	1011006	WIRE ASSEMBLY #18 BLUE	1
23	1011069	WIRE ASSEMBLY #6 RED	1
24	1014040	WIRE ASSEMBLY #18 YELLOW	1
25	1010958	WIRE ASSEMBLY #6 BLACK	1
27	8797	NUT #10-32, BRASS	5
28	1012143	FUSE LENS	6
29	1012085	FUSE, 80 AMP	1
30	1012142	FUSE HOLDER	1
31	1013628	FUSE AND RECEPTACLE MOUNTING BRACKET	1
32	1013649	RECEPTACLE BEZEL	1
33	4107	CHARGER RECEPTACLE	1
34	1013266	SCREW, PHILLIPS HEAD, TYPE BT, #8-18 X 1/2"	1
35	1016616-01	CLUB CAR 6 VOLT BATTERY	2
36	8795	SELF TAPPING SCREW, PHILLIPS PAN HEAD # 7 X 1-3/4"	6
37	1017183	SELF TAPPING SCREW, PHILLIPS PAN HEAD # 7 X 3/4"	2
38	1012022	CABLE CLAMP	6
39	1606	POP RIVET, 3/16"	3
40	1010908	BATTERY HOLD DOWN	3
41	1013683	"J" BOLT	3
42	1014305	HEX NUT, 5/16-18 UNC S.S.	6
43	1011578	FLATWASHER, TYPE B, 5/16"	18
44	1016	#10 SPLIT LOCKWASHER	6
45	1014516	FUSE LINK KIT (NOT SHOWN) INCLUDES ITEMS 27, 28, 29, 30 AND 44	4
46	8016	SOLENOID — 36 VOLT	1
47	1012285	1/4-20 X 5/8" THREAD ROLLING SCREW	2
48	7893	#10-32 HEX NUT	2
49	1242	5/16 X 18 HEX NUT	2
50	7174	WASHER, 5/16 HELICAL SPRING	2

E

12



V-GLIDE WIPER SWITCH

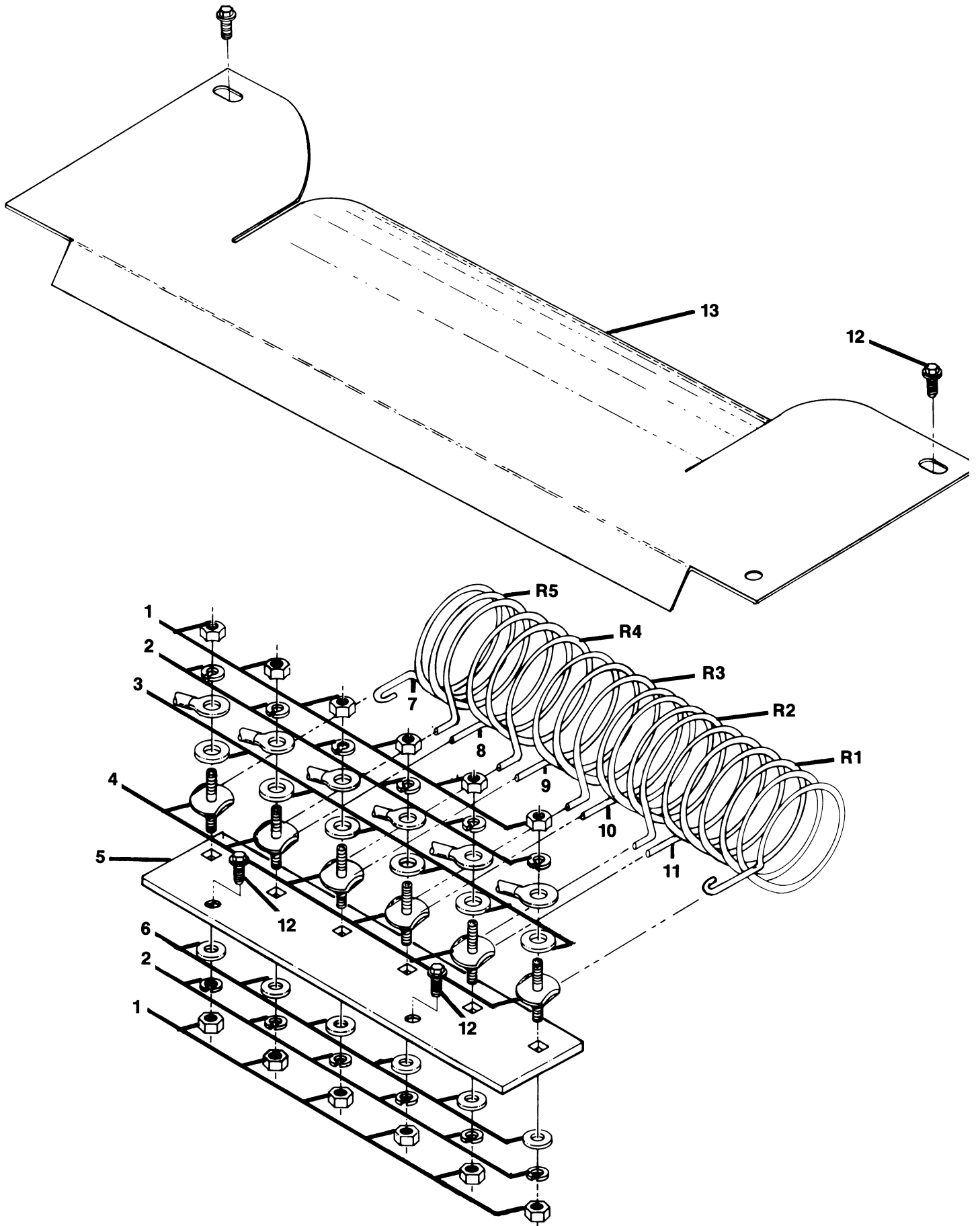
V-GLIDE WIPER SWITCH

ITEM NUMBER	PART NUMBER	1 2 3 4	DESCRIPTION	UNITS PER VEHICLE
	1016140		V-GLIDE CONTROLLER ASSEMBLY INCLUDES ITEMS 1 THRU 23, 30, 32 AND 33	1
1	1014999		SPEED CONTROLLER CASE ASSEMBLY	1
2	1014		1/4"-20 UNC HEX NUT, BRASS	5
3	451		1/4" SPLIT LOCKWASHER	7
4	1014253		1/4"-20 BRASS JAM NUT	3
5	7473		5/16"-18 UNC NYLON LOCKNUT	1
6	1012353		1/4" X 1/4"-28, SHORT BALL STUD	1
7	1014003		SPEED CONTROLLER BELL CRANK	1
8	8449		1/4"-28 DIMPLED LOCKNUT	1
9	1012903		3/8" X 1/2" FLANGE BEARING	2
10	1014189		1/4"-20 X 2.00 HEX CAP SCREW, BRONZE	1
11	1013886		SPEED CONTROLLER COVER	1
12	7893		#10-32 UNF HEX NUT	1
13	1014017		SPEED CONTROLLER SHAFT AND CARRIER	1
14	1013998		SPEED CONTROLLER BRUSH SPRING	1
15	1014000		SPEED CONTROLLER ADJUSTING STUD	1
16	1014019		#4-40 UNC TYPE "F" SCREW	1
17	8058		#4 SPLIT LOCKWASHER	3
18	1013887		SPEED CONTROLLER ARM	1
19	1013860		SPEED CONTROLLER BRUSH	1
20	8056		#4-40 UNC X 3/4" ROUND HEAD SCREW	2
21	1014807		LIMIT SWITCH	1
22	1014010		SPLIT GROMMET	1
23	8057		#4-40 UNC HEX NUT	2
24	1014109		#10-24 X 3/4" ROUND HEAD BOLT	2
25	1016175		#10 SPLIT LOCKWASHER	2
26	1017		#10 HEX NUT	2
27	1014016		ACCELERATOR ROD	1
28	1011084		1/4-28 JAM NUT	2
29	1011734		BALL JOINT	2
30	1014414		BUMPER, SPEED CONTROLLER	1
31	1014367		SHIM, SPEED CONTROLLER	1
32	1014413		HAIR SPRING COTTER PIN	1
33	1014660		SPEED CONTROLLER DECAL	1

E

12

E



12

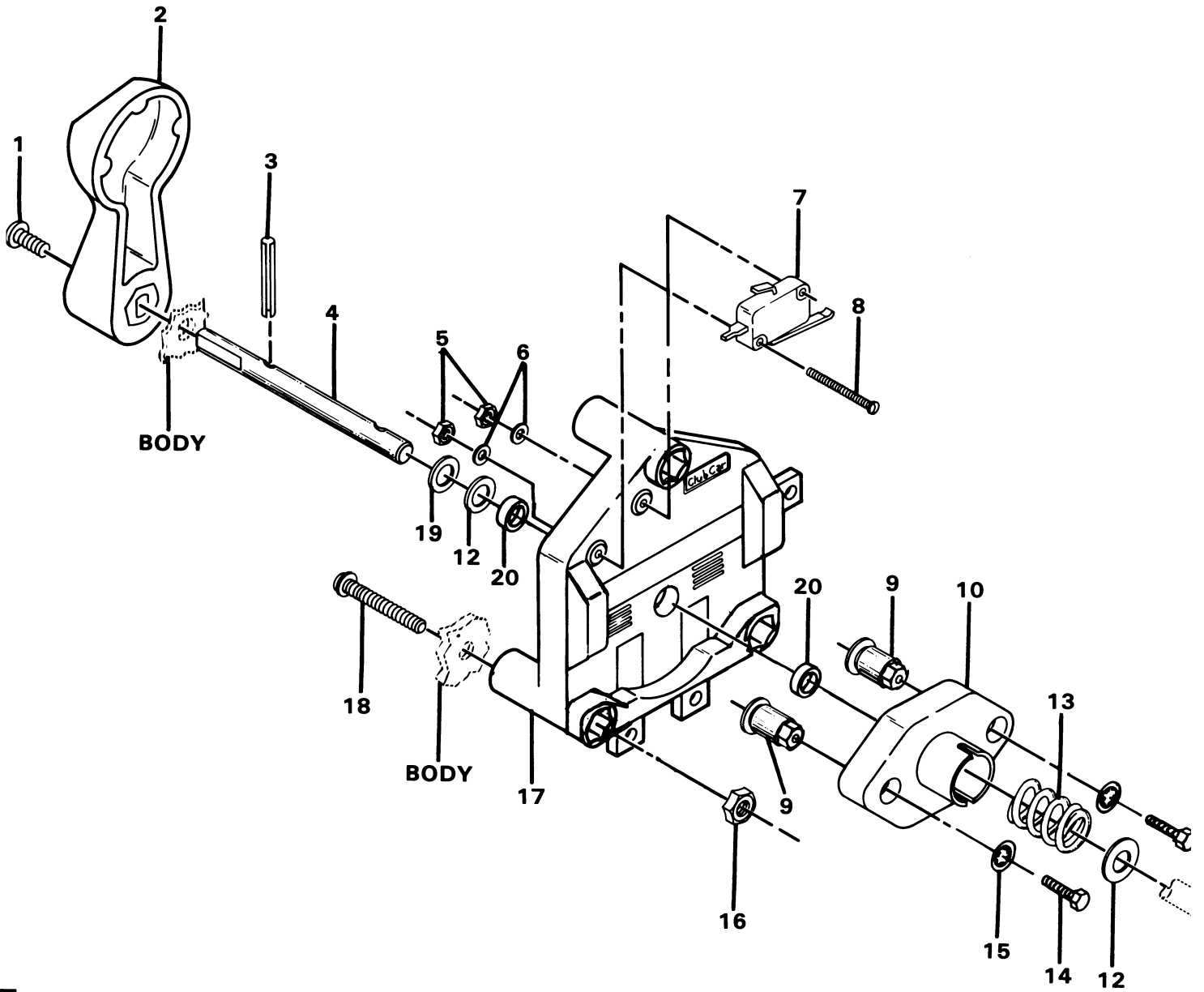
RESISTOR AND BOARD ASSEMBLY — V-GLIDE

RESISTOR AND BOARD ASSEMBLY — V-GLIDE

ITEM NUMBER	PART NUMBER	1 2 3 4	DESCRIPTION	UNITS PER VEHICLE
1	1028		1/4"-20 UNC HEX NUT	12
2	451		1/4" SPLIT LOCKWASHER	12
3	1014306		1/4" WIDE FLATWASHER	6
4	1014045		RESISTOR COIL STANDOFF	6
5	1014728		RESISTOR MOUNTING BOARD	1
6	332		1/4" FLATWASHER	6
7	1014655		RESISTOR COIL	1
8	1014654		RESISTOR COIL	1
9	1014013		RESISTOR COIL	1
10	1014014		RESISTOR COIL	1
11	1014729		RESISTOR COIL	1
12	1012285		1/4-20 UNC X 5/8" THREAD ROLLING SCREW	1
13	1013971		RESISTOR SHIELD	4
				1

E

12



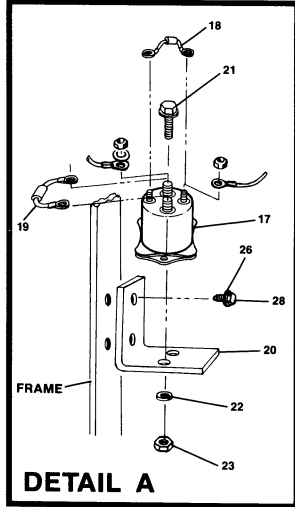
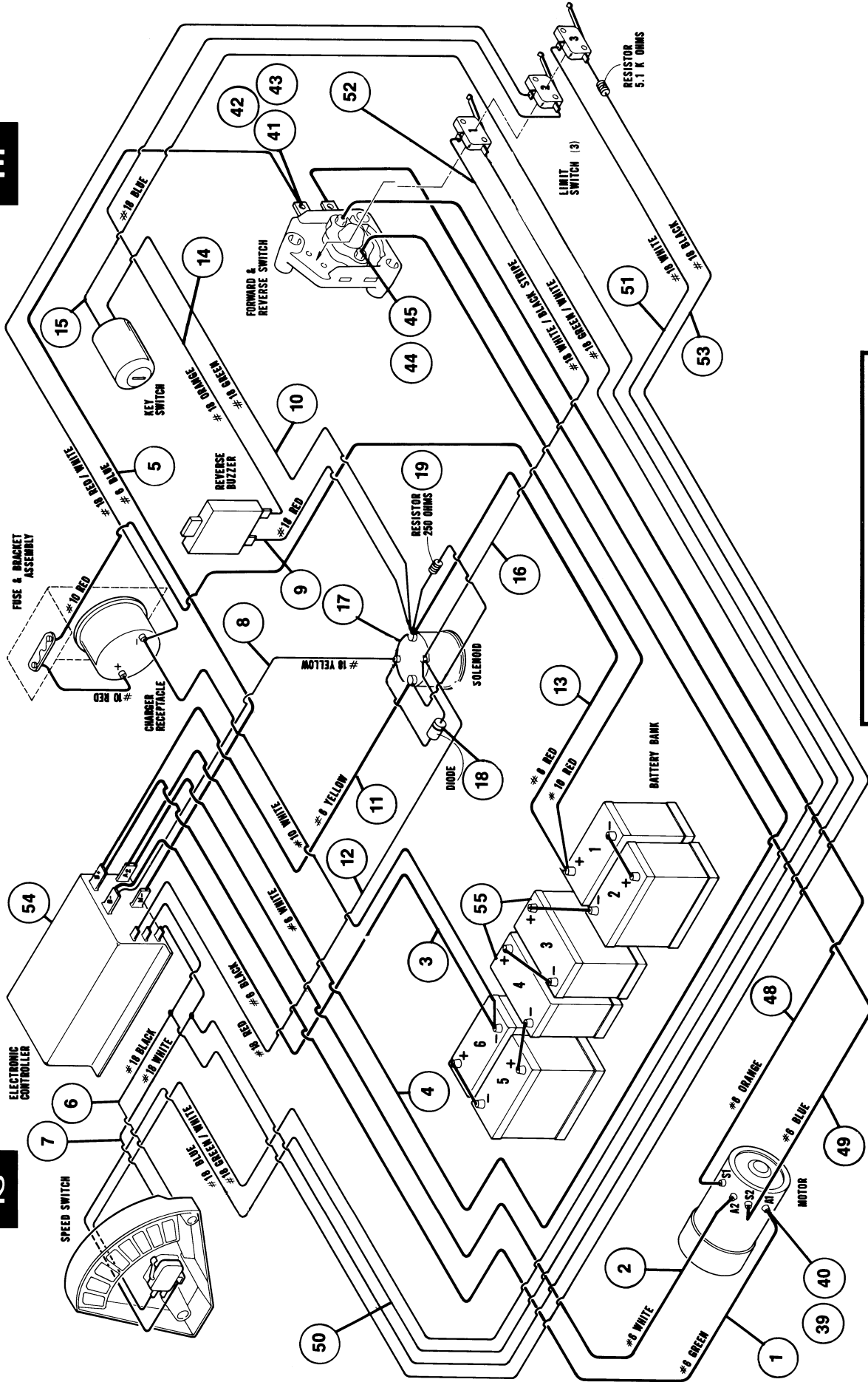
FORWARD AND REVERSE SWITCH ASSEMBLY — V-GLIDE

FORWARD AND REVERSE SWITCH ASSEMBLY — V-GLIDE

ITEM NUMBER	PART NUMBER	1 2 3 4	DESCRIPTION	UNITS PER VEHICLE
	1011997		FORWARD AND REVERSE SWITCH ASSEMBLY COMPLETE EXCLUDING ITEMS 1 AND 2 AND MOUNTING HARDWARE, ITEMS 14, 15, 16 AND 18	
1	1013198		SCREW, PHILLIPS MACHINE, #8-32	1
2	1012987		SWITCH HANDLE, FORWARD AND REVERSE	1
3	1231		ROLL PIN, 1/8 X 1"	1
4	1012988		SHAFT, FORWARD AND REVERSE SWITCH	1
5	8057		NUT, HEX, #4-40 UNC	2
6	8058		LOCKWASHER, #4	2
7	1014808		LIMIT SWITCH, FORWARD AND REVERSE	1
8	1011991		SCREW, SLOTTED ROUND HEAD, #4-40 X 1-1/8"	2
9	8793		ROTOR CONTACT	2
10	1016130		SWITCH ROTOR, FORWARD AND REVERSE	1
11	1011993		ROLL PIN, 3/16" X 1-3/8"	1
12	1011990		FLATWASHER, 3/8"	2
13	7627		SHAFT SPRING, FORWARD AND REVERSE	1
14	8450		SCREW, HEX HEAD MACHINE, #10-24	2
15	8049		LOCKWASHER, INTERNAL TOOTH #10	2
16	8233		LOCKNUT, NYLON, 1/4-20	3
17	1014273		SWITCH CASE, FORWARD AND REVERSE INCLUDES ITEM 20	1
18	1011988		SCREW, TRUSS HEAD PHILLIPS, 1/4-20 X 2"	3
19	1014065		WASHER, PLASTIC, 3/8"	1
20	1014145		BEARING	2

E

12



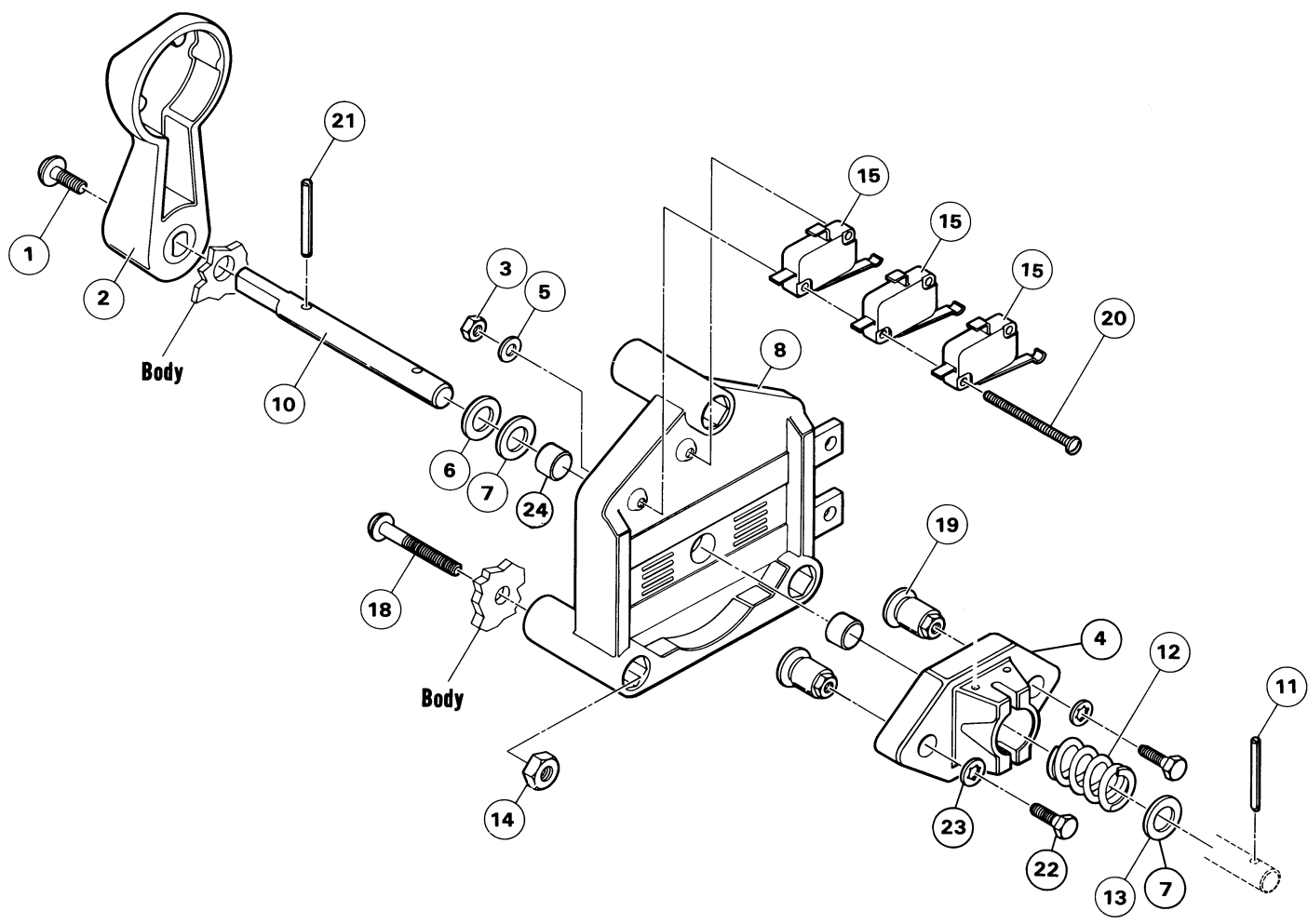
POWER WIRING — SOLID STATE CONTROLLER

POWER WIRING — SOLID STATE CONTROLLER

ITEM NUMBER	PART NUMBER	DESCRIPTION	UNITS PER VEHICLE
		1 2 3 4	
	1015879	CONTROLLER WIRING ASSEMBLY	1
1	1015860	WIRE ASSEMBLY #6 GREEN	1
2	1015861	WIRE ASSEMBLY #6 WHITE	1
3	1016137	WIRE ASSEMBLY #6 BLACK	1
4	1015856	WIRE ASSEMBLY #6 WHITE	1
5	1015857	WIRE ASSEMBLY #6 BLUE	1
6	1015863	WIRE ASSEMBLY #18 BLACK	1
7	1015864	WIRE ASSEMBLY #18 WHITE	1
8	1015866	WIRE ASSEMBLY #18 YELLOW	1
9	1016135	WIRE ASSEMBLY #18 RED	1
10	1016121	WIRE ASSEMBLY #18 GREEN	1
11	1015858	WIRE ASSEMBLY #6 YELLOW	1
12	1015865	WIRE ASSEMBLY #18 RED	1
13	1015859	WIRE ASSEMBLY #6 RED	1
14	1016134	WIRE ASSEMBLY #18 ORANGE	1
15	1016133	WIRE ASSEMBLY #18 BLUE	1
16	1016122	WIRE ASSEMBLY #18 BLACK/WHITE	1
17	8016	SOLENOID — 36 VOLT	1
18	1014948	DIODE ASSEMBLY	1
19	1014947	RESISTOR ASSEMBLY	1
20	1015838	SOLENOID MOUNTING BRACKET	1
21	7847	1/4-20 X 3/4 HEX HEAD SCREW (ATTACHES SOLENOID TO SOLENOID MOUNTING BRACKET)	2
22	451	1/4 HELICAL SPRING LOCKWASHER (ATTACHES SOLENOID TO SOLENOID MOUNTING BRACKET)	2
23	1028	1/4-20 HEX NUT (ATTACHES SOLENOID TO SOLENOID MOUNTING BRACKET)	2
24	1015837	MOUNTING PLATE — CONTROLLER	1
25	1014943	1/4-20 X 1-1/4 ROUND HEAD SQUARE NECK BOLT (ATTACHES CONTROLLER MOUNTING PLATE TO FRAME)	2
26	451	1/4 HELICAL SPRING LOCKWASHER (ATTACHES CONTROLLER MOUNTING PLATE TO FRAME)	2
27	1028	1/4-20 HEX NUT (ATTACHES CONTROLLER MOUNTING PLATE TO FRAME)	2
28	1012285	1/4-20 X 5/8" HEX WASHER HEAD SCREW (ATTACHES SOLENOID ASSEMBLY TO FRAME)	2
29	451	1/4 HELICAL SPRING LOCKWASHER (ATTACHES SOLENOID ASSEMBLY TO FRAME)	2
34	1014943	1/4-20 X 1.25 ROUND HEAD SQUARE NECK BOLT (ATTACHES CONTROLLER TO FRAME)	4
35	451	1/4 HELICAL SPRING LOCKWASHER (ATTACHES CONTROLLER TO FRAME)	4
36	1028	1/4-20 HEX NUT (ATTACHES CONTROLLER TO FRAME)	4
37	332	1/4 FLATWASHER (ATTACHES CONTROLLER TO FRAME)	4
38	1016631	PUSH NUT .187	4
39	7174	5/16 HELICAL SPRING LOCKWASHER (ATTACHES WIRES TO MOTOR)	4
40	1242	5/16-18 HEX NUT (ATTACHES WIRES TO MOTOR)	4
41	403	1/4-20 X 5/8" HEX HEAD BOLT (ATTACHES WIRES TO FORWARD & REVERSE CONTACT BARS)	2
42	451	1/4 LOCKWASHER (ATTACHES WIRES TO FORWARD & REVERSE CONTACT BARS)	2
43	1028	1/4-20 HEX NUT (ATTACHES WIRES TO FORWARD & REVERSE CONTACT BARS)	2
44	8450	#10-24 X 1/2" HEX HEAD SCREW (ATTACHES WIRES TO FORWARD & REVERSE ROTOR)	2
45	8049	#10 LOCKWASHER (ATTACHES WIRES TO FORWARD & REVERSE ROTOR)	2
46	1606	3/16 POP RIVET	3
47	1012022	CABLE CLAMP	3
48	1014854	WIRE ASSEMBLY #6 ORANGE	1
49	1014855	WIRE ASSEMBLY #6 BLUE	1
50	1016142	WIRE ASSEMBLY #18 BLUE	1
51	1016019	WIRE ASSEMBLY #18 WHITE	1
52	1014839	WIRE ASSEMBLY #18 GREEN/WHITE	1
53	1016018	WIRE ASSEMBLY #18 BLACK	1
54	1014749	ELECTRONIC CONTROLLER	1
55	1013697	CLUB CAR 6 VOLT BATTERY	6
56	1010908	BATTERY HOLD DOWN (NOT SHOWN)	3
57	1013683	"J" BOLT (NOT SHOWN)	6
58	1014305	HEX NUT, 5/16-18 UNC STAINLESS STEEL (NOT SHOWN)	18
59	1011578	FLATWASHER, TYPE B, 5/16" (NOT SHOWN)	6

E

12



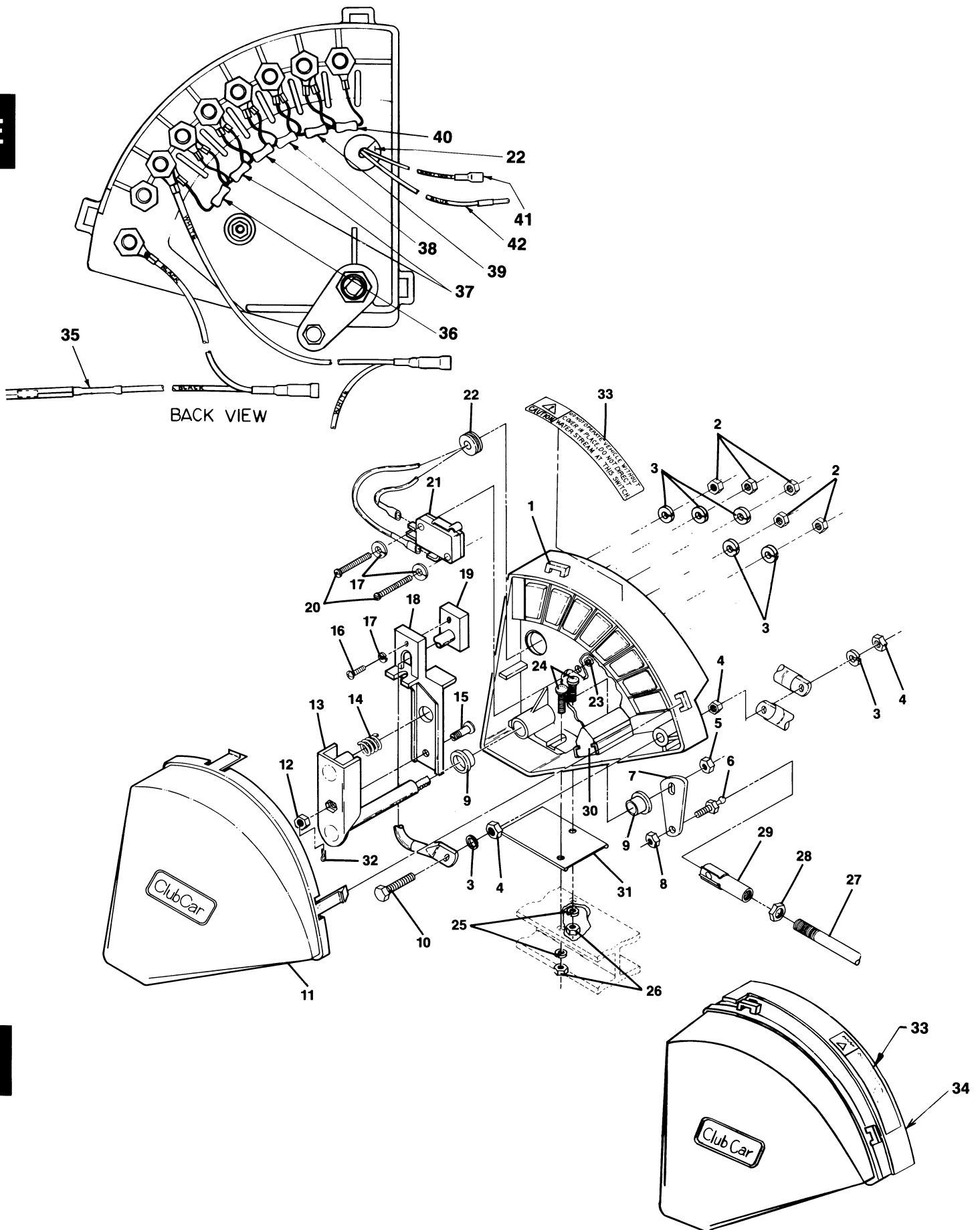
F&R SWITCH — SOLID STATE CONTROLLER

F&R SWITCH — SOLID STATE CONTROLLER

ITEM NUMBER	PART NUMBER	1 2 3 4				DESCRIPTION	UNITS PER VEHICLE
	1015846					F&R SWITCH ASSEMBLY	
1	1013198					SCREW, TRUSS HEAD	1
2	1012987					SWITCH HANDLE	1
3	8057					#4-40 UNC HEX NUT	2
4	1016130					F&R SWITCH ROTOR	1
5	8058					#4 LOCKWASHER	2
6	1014065					FLATWASHER (DELTRIN)	1
7	1011990					3/8" FLATWASHER	2
8	1015830					F&R SWITCH CASE	1
9	1014145					BEARING	2
10	1012988					F&R SWITCH SHAFT	1
11	1011993					ROLL PIN 3/16" X 1.38	1
12	7627					F&R SHAFT SPRING	1
15	1014808					LIMIT SWITCH	3
18	1011988					SCREW, TRUSS HEAD PHILLIPS	3
19	8793					ROTOR CONTACT	2
20	1014871					#4-40 X 2.00 HEX WASHER HEAD SCREW	2
21	1231					ROLL PIN 1/8" X 1.00	1
22	8450					SCREW, HEX HEAD #10-34	2
23	8049					LOCKWASHER, #10 INTERNAL TOOTH	2
24	1014145					BEARING	2

E

12



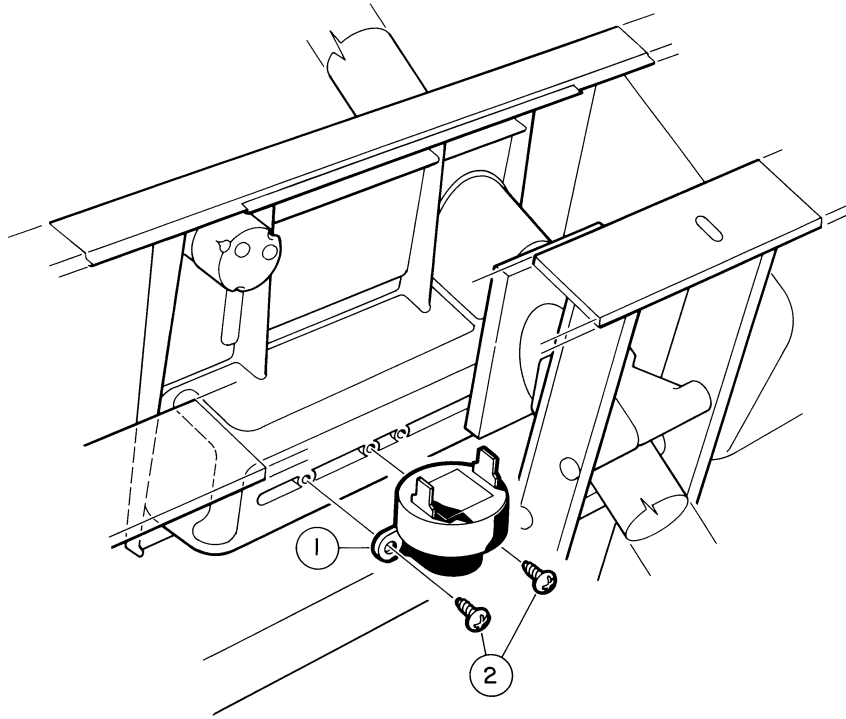
V-GLIDE WIPER SWITCH — SOLID STATE CONTROLLER

V-GLIDE WIPER SWITCH — SOLID STATE CONTROLLER

ITEM NUMBER	PART NUMBER	1 2 3 4	DESCRIPTION	UNITS PER VEHICLE
			V-GLIDE WIPER SWITCH — SOLID STATE CONTROLLER	
1	1014917		SPEED CONTROLLER CASE	1
2	1014		1/4"-20 UNC HEX NUT, BRASS	5
3	451		1/4" SPLIT LOCKWASHER	7
4	1014253		1/4"-20 BRASS JAM NUT	3
5	7473		5/16"-18 UNC NYLON LOCKNUT	1
6	1012353		1/4" X 1/4"-28, SHORT BALL STUD	1
7	1014003		SPEED CONTROLLER BELL CRANK	1
8	8449		1/4"-28 DIMPLED LOCKNUT	1
9	1012903		3/8" X 1/2" FLANGE BEARING	2
10	1014189		1/4"-20 X 2.00 HEX CAP SCREW, BRONZE	1
11	1013886		SPEED CONTROLLER COVER	1
12	7893		#10-32 UNF HEX NUT	1
13	1014017		SPEED CONTROLLER SHAFT AND CARRIER	1
14	1013998		SPEED CONTROLLER BRUSH SPRING	1
15	1014000		SPEED CONTROLLER ADJUSTING STUD	1
16	1014019		#4-40 UNC TYPE "F" SCREW	1
17	8058		#4 SPLIT LOCKWASHER	3
18	1013887		SPEED CONTROLLER ARM	1
19	1013860		SPEED CONTROLLER BRUSH	1
20	8056		#4-40 UNC X 3/4" ROUND HEAD SCREW	2
21	1014807		LIMIT SWITCH	1
22	1014010		SPLIT GROMMET	1
23	8057		#4-40 UNC HEX NUT	2
24	1014109		#10-24 X 3/4" ROUND HEAD BOLT	2
25	1016175		#10 SPLIT LOCKWASHER	2
26	1017		#10 HEX NUT	2
27	1014016		ACCELERATOR ROD	1
28	1011084		1/4-28 JAM NUT	2
29	1011734		BALL JOINT	2
30	1014414		BUMPER, SPEED CONTROLLER	1
31	1014367		SHIM, SPEED CONTROLLER	1
32	1014413		HAIR SPRING COTTER PIN	1
33	1016109		SPEED CONTROLLER DECAL	2
34	1016061		WIPER SWITCH RESISTOR PROTECTOR	1
35	1016018		WIRE ASSEMBLY #18 BLACK	1
36	1016017		RESISTOR ASSEMBLY 910Ω	1
37	1016016		RESISTOR ASSEMBLY 620Ω	2
38	1016015		RESISTOR ASSEMBLY 750Ω	1
39	1016014		RESISTOR ASSEMBLY 820Ω	1
40	1016013		RESISTOR ASSEMBLY 1100Ω	1
41	1014839		#18 GREEN/WHITE WIRE ASSEMBLY	1
42	1016142		#18 BLUE WIRE ASSEMBLY	1
44	1016092		#8-32 X .44 PAN HEAD SCREW (NOT SHOWN) (ATTACHES RESISTOR PROTECTOR #34 TO WIPER SWITCH CASE)	2
45	1013529		#8 PLAIN WASHER (NOT SHOWN) (ATTACHES RESISTOR PROTECTOR #34 TO WIPER SWITCH CASE)	4
46	1011571		#8-32 HEX NUT (NOT SHOWN) (ATTACHES RESISTOR PROTECTOR #34 TO WIPER SWITCH CASE)	2
47	1016090		#8-32 HEX MALE/FEMALE STANDOFF (NOT SHOWN) (ATTACHES RESISTOR PROTECTOR #34 TO WIPER SWITCH CASE)	2
48	1012076		#8 EXTERNAL TOOTH LOCKWASHER (NOT SHOWN) (ATTACHES RESISTOR PROTECTOR #34 TO WIPER SWITCH CASE)	4

E

12

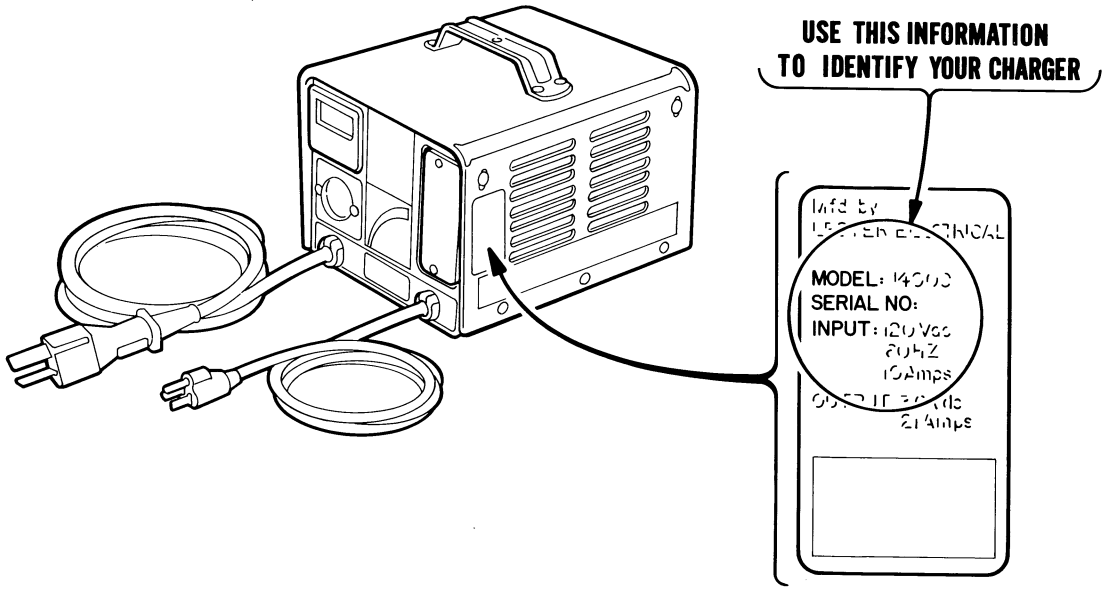


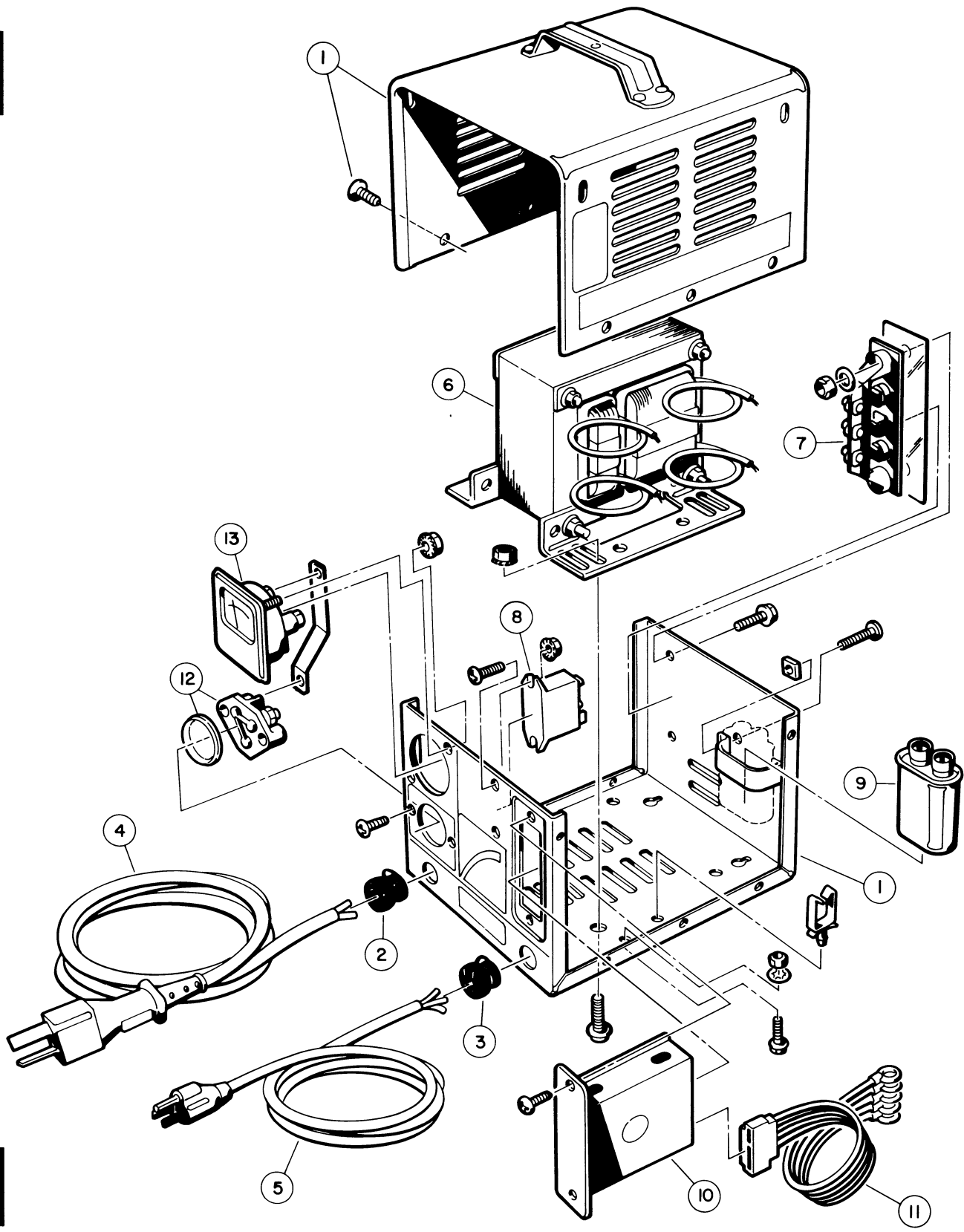
REVERSE BUZZER

ITEM NUMBER	PART NUMBER	1 2 3 4 DESCRIPTION	UNITS PER VEHICLE
1	1016851	REVERSE BUZZER	1
2	1016849	#4-24 X .330 SCREW, PAN HEAD HI-LO	2

Section 13

BATTERY CHARGER





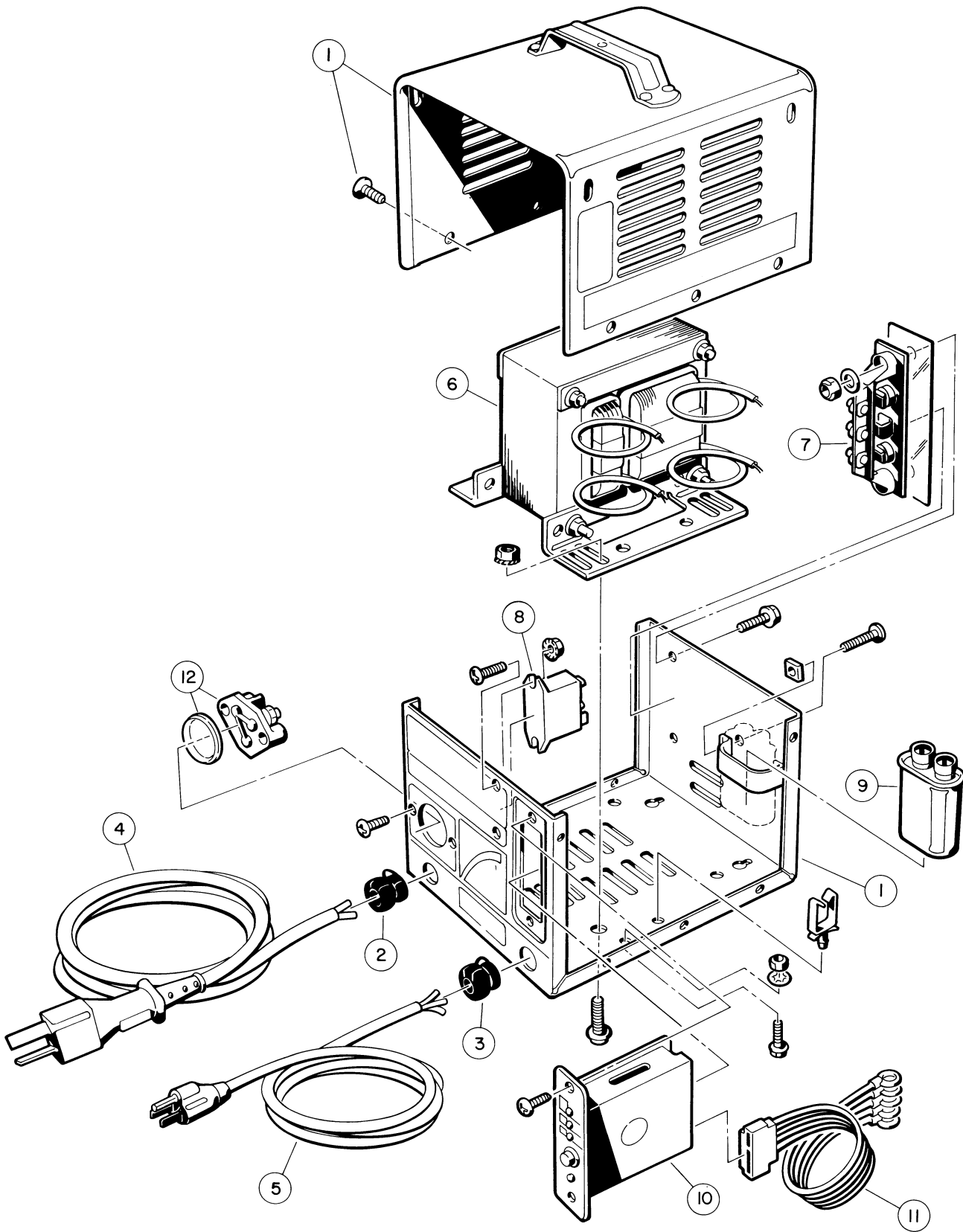
MODEL 13800 ACCU-POWER CHARGER

MODEL 13800 ACCU-POWER CHARGER

ITEM NUMBER	PART NUMBER	DESCRIPTION	UNITS PER VEHICLE
1	1015907	CASE ASSEMBLY INCLUDES FASTENERS	1
2	1012098	STRAIN RELIEF, 12 AWG DC CORD	1
2	1012042	STRAIN RELIEF, 10 AWG DC CORD	1
3	1015917	STRAIN RELIEF, AC CORD	1
4	1016433-01	DC CORDSET, 12 AWG X 110 INCHES LONG	1
4	1016433-02	DC CORDSET, 12 AWG X 146 INCHES LONG	1
4	1016433-03	DC CORDSET, 10 AWG X 242 INCHES LONG	1
4	1016433-04	DC CORDSET, 10 AWG X 110 INCHES LONG	1
5	1015916-01	AC CORDSET, 16 AWG X 80 INCHES LONG	1
5	1015916-02	AC CORDSET, 16 AWG X 110 INCHES LONG	1
6	1015912	TRANSFORMER ASSEMBLY	1
7	1015914	HEATSINK ASSEMBLY WITH DIODES	1
8	1015911	36 VDC RELAY	1
9	1015910	CAPACITOR	1
10	1015906	TIMER KIT ASSEMBLY	1
11	1015913	CONTROL CABLE ASSEMBLY	1
12	1012101	FUSE ASSEMBLY	1
13	1015905	AMMETER	1
	1016464	ACCU-POWER CHARGER ASSEMBLY INCLUDES ITEMS 1 THRU 3, 6 THRU 13, 1 OF ITEMS 4 AND 5	1

E

13



MODEL 14000 ULTRA-POWER CHARGER

MODEL 14000 ULTRA-POWER CHARGER

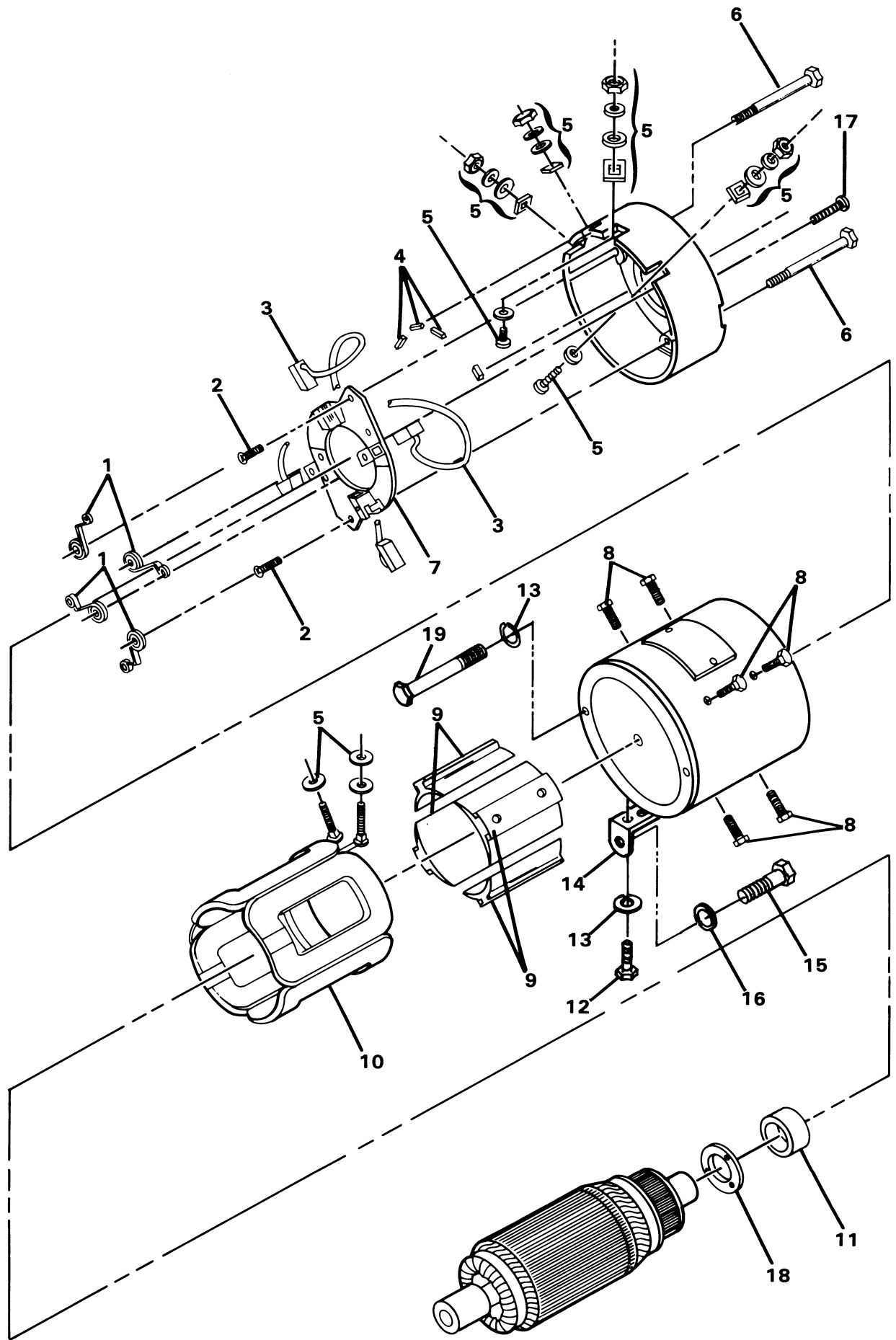
ITEM NUMBER	PART NUMBER	DESCRIPTION	UNITS PER VEHICLE
1	1015909	CASE ASSEMBLY INCLUDES FASTENERS	1
2	1012098	STRAIN RELIEF, 12 AWG DC CORD	1
2	1012042	STRAIN RELIEF, 10 AWG DC CORD	1
3	1015917	STRAIN RELIEF, AC CORD	1
4	1016433-01	DC CORDSET, 12 AWG X 110 INCHES LONG	1
4	1016433-02	DC CORDSET, 12 AWG X 146 INCHES LONG	1
4	1016433-03	DC CORDSET, 10 AWG X 242 INCHES LONG	1
4	1016433-04	DC CORDSET, 10 AWG X 110 INCHES LONG	1
5	1015916-01	AC CORDSET, 16 AWG X 80 INCHES LONG	1
5	1015916-02	AC CORDSET, 16 AWG X 110 INCHES LONG	1
6	1015912	TRANSFORMER ASSEMBLY	1
7	1015914	HEATSINK ASSEMBLY WITH DIODES	1
8	1015911	36 VDC RELAY	1
9	1015910	CAPACITOR	1
10	1015908	TIMER KIT ASSEMBLY	1
11	1015913	CONTROL CABLE ASSEMBLY	1
12	1012101	FUSE ASSEMBLY	1
	1016463	ULTRA-POWER CHARGER ASSEMBLY INCLUDES ITEMS 1 THRU 3, 6 THRU 12, 1 OF ITEMS 4 AND 5	1

E

13

Section 14

MOTOR



MOTOR ASSEMBLY FOR CLUB CAR MODELS 1012191 AND 1014678

MOTOR ASSEMBLY FOR CLUB CAR MODELS 1012191 AND 1014678

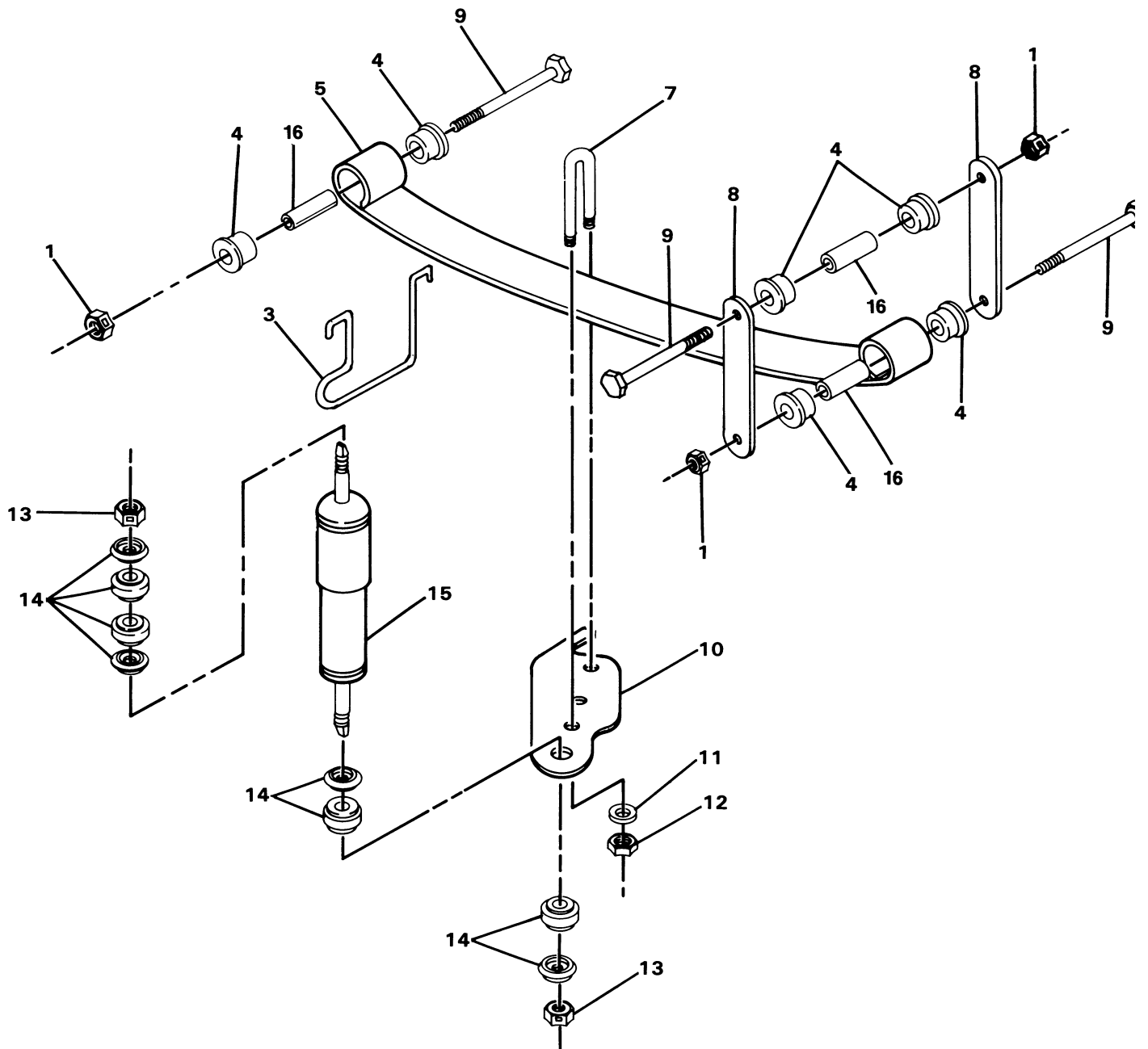
ITEM NUMBER	PART NUMBER	DESCRIPTION				UNITS PER VEHICLE
		1	2	3	4	
	1012191	MOTOR ASSEMBLY COMPLETE				1
1	1011411	BRUSH SPRING PACKAGE (4 PIECES)				1
2	1011283	SCREW, BRUSH RIGGING				2
3	1011410	BRUSH PACKAGE (4 PIECES)				1
4	1011409	RUBBER GASKET PACKAGE (4 PIECES)				2
5	1011407	HARDWARE KIT				4
6	1011275	MOTOR CLAMP SCREW (CE)				2
7	1011284	BRUSH RIGGING				1
8	1011412	SCREW, POLE PIECE PACKAGE (8 PIECES)				1
9	1011413	FIELD POLE PIECE PACKAGE (4 PIECES)				1
10	1011288	FIELD COILS, MODEL 1012191 — 2 HP				1
10	1011289	FIELD COILS, MODEL 1014678 — 3-1/2 HP				1
11	1011290	BALL BEARING, DOUBLE SHIELD				1
12	7847	BOLT, HEX HEAD, 1/4-20 X 3/4"				2
13	451	LOCKWASHER, 1/4"				5
14	1012177	MOTOR/AXLE CLIP				1
15	1010934	BOLT, HEX HEAD, 5/16-18 X 1"				1
16	7174	LOCKWASHER, 5/16"				1
17	1013893	SCREW, PAN HEAD, #8-32				3
18	1013894	RETAINER-BEARING				1
19	1014201	BOLT, HEX, 1/4-20 X 2-1/4"				3

E

14

Section 15

REAR SUSPENSION



REAR SUSPENSION ASSEMBLY

REAR SUSPENSION ASSEMBLY

ITEM NUMBER	PART NUMBER	1 2 3 4	DESCRIPTION	UNITS PER VEHICLE
1	1010138		DIMPLED LOCKNUT, 3/8-16 UNC	6
3	1013207		BRAKE CABLE SUPPORT	2
4	1015583		URETHANE BUSHING	12
5	1010974		REAR SPRING	2
7	1012180		"U" BOLT	2
8	7569		REAR SPRING SHACKLE	4
9	8755		BOLT, HEX, 3/8-16 UNC X 3-3/8"	6
10	1012181		SHOCK MOUNT, RIGHT HAND	1
10	1012182		SHOCK MOUNT, LEFT HAND	1
11	720		LOCKWASHER, 7/16"	4
12	8938		NUT, HEX, 7/16-14 UNC	4
13	1010145		NUT, HEX, 3/8-24 UNC	4
14	1011415		SHOCK ABSORBER CUSHION KIT	4
15	1014236		SHOCK	1
16	1012303		STEEL BUSHING	6
17	1013164		SHOCK ABSORBER KIT INCLUDES ITEMS 14 AND 15	1

E

15

