



DS GASOLINE ILLUSTRATED PARTS LIST



4152 WASHINGTON ROAD
P.O. Box 204658
AUGUSTA, GEORGIA 30917-4658
USA
TELEPHONE: 706-863-3000
TELEX 54-5444
FACSIMILE: 706-860-7231

MANUAL NUMBER
1014475
ISSUE DATE OCTOBER 1991
1091D1091A

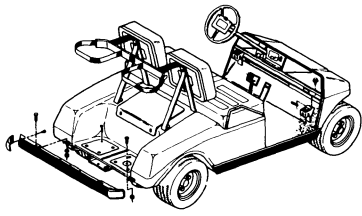
WARNING

This manual to be used for identification and ordering of service parts only. Be sure to read and use the maintenance and service manual for any repair.

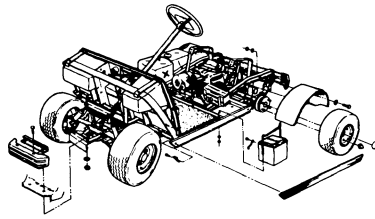
CONTENTS

| | |
|---|--------------------|
| VISUAL INDEX | iii |
| BODY AND TRIM GROUP | SECTION I |
| Figure 1-1. Final Assembly, Gas Car. Sheet 1 of 2 | 1-2 |
| Listing | 1-3 |
| Figure 1-1. Final Assembly, Gas Car. Sheet 2 of 2 | 1-4 |
| Listing | 1-5 |
| Figure 1-2. Body Assembly, Covers — Front and Rear | 1-6 |
| Listing | 1-7 |
| Figure 1-3. Seat Back and Bag Hoop Assembly | 1-8 |
| Listing | 1-9 |
| Figure 1-4. Seat Bottom and Armrest Assembly | 1-10 |
| Listing | 1-11 |
| POWER TRAIN GROUP | SECTION II |
| Figure 2-1. Final Assembly, Engine. | 2-2 |
| Listing | 2-3 |
| Figure 2-1. Final Assembly, Engine. | 2-4 |
| Listing | 2-5 |
| Figure 2-1. Final Assembly, Engine. | 2-6 |
| Listing | 2-7 |
| Figure 2-2. Drive Clutch | 2-8 |
| Listing | 2-9 |
| Figure 2-3. Driven Clutch | 2-10 |
| Listing | 2-10 |
| Figure 2-4. Muffler Assembly | 2-11 |
| Listing | 2-11 |
| Figure 2-5. Air Cleaner W/Carburetor and Linkage | 2-12 |
| Listing | 2-13 |
| Figure 2-6. Carburetor Assembly | 2-14 |
| Listing | 2-15 |
| Figure 2-7. Generator/Starter | 2-16 |
| Listing | 2-17 |
| Figure 2-8. Transmission Assembly | 2-18 |
| Listing | 2-18 |
| Figure 2-9. Drive Unit | 2-20 |
| Listing | 2-21 |
| Figure 2-10. F & R Shifter Assembly | 2-22 |
| Listing | 2-23 |
| Figure 2-11. Inner Frame Assembly | 2-24 |
| Listing | 2-25 |
| Figure 2-12. Fuel System Assembly | 2-26 |
| Listing | 2-27 |
| SUSPENSION AND STEERING GROUP | SECTION III |
| Figure 3-1. Steering Column Assembly. | 3-2 |
| Listing | 3-3 |
| Figure 3-1. Steering Assembly. | 3-4 |
| Listing | 3-5 |
| Figure 3-2. Front Suspension Assembly | 3-6 |
| Listing | 3-7 |
| Figure 3-3. Rear Suspension Assembly | 3-8 |
| Listing | 3-9 |
| BRAKE SYSTEM AND PEDAL GROUP | SECTION IV |
| Figure 4-1. Brake Cluster, Right Hand and Left Hand | 4-2 |
| Listing | 4-3 |
| Figure 4-2. Brake Pedal and Cable Assembly. | 4-4 |
| Listing | 4-5 |
| Figure 4-3. Accelerator Pedal Assembly | 4-6 |
| Listing | 4-7 |
| ELECTRICAL SYSTEM | SECTION V |
| Figure 5-1. Final Assembly, Wiring Diagram, Gas Car | 5-2 |
| Listing | 5-3 |
| Figure 5-2. Electrical Component Box Assembly | 5-4 |
| Listing | 5-5 |
| ACCESSORIES | SECTION VI |
| MAINTENANCE AND SERVICE TOOLS | SECTION VII |

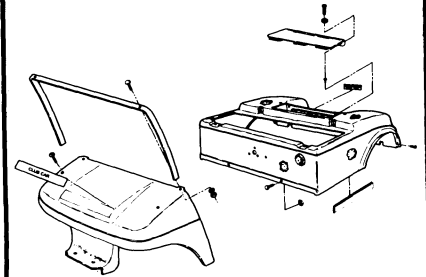
DS GASOLINE CLUB CAR



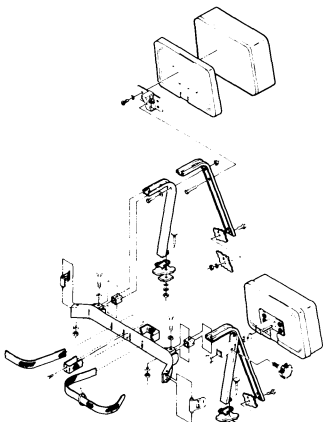
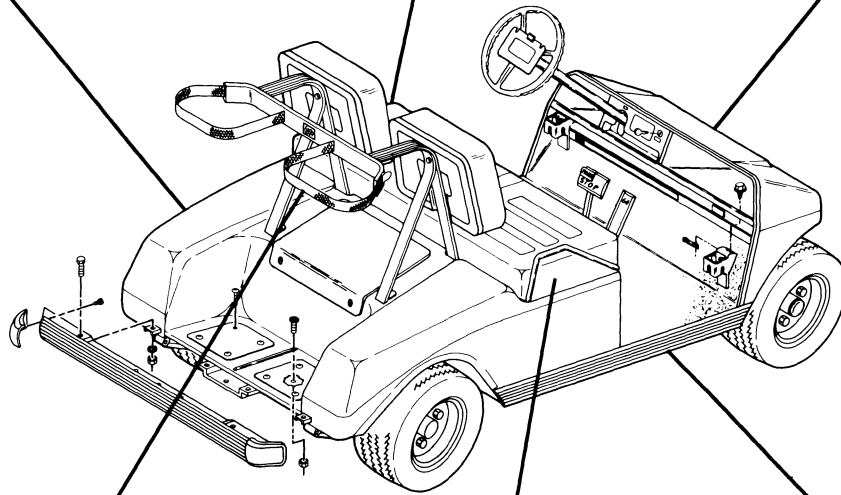
FINAL ASS'Y, GAS CAR
FIGURE 1-1 (SHEET 1 OF 2)
PAGE 1-2



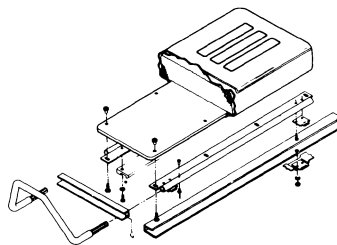
FINAL ASS'Y, GAS CAR
FIGURE 1-1 (SHEET 2 OF 2)
PAGE 1-4



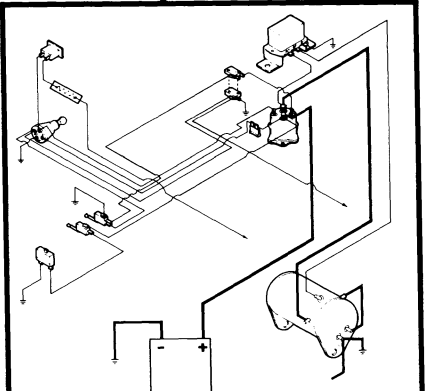
BODY ASS'Y, COVERS
FIGURE 1-2
PAGE 1-6



SEAT BACK & BAG HOOP ASS'Y
FIGURE 1-3
PAGE 1-8



SEAT BOTTOM ASS'Y
FIGURE 1-4
PAGE 1-10

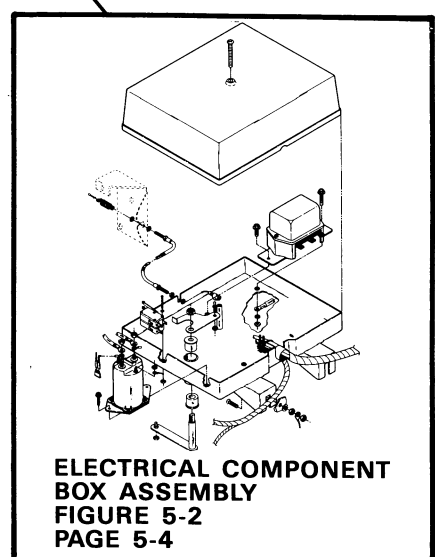
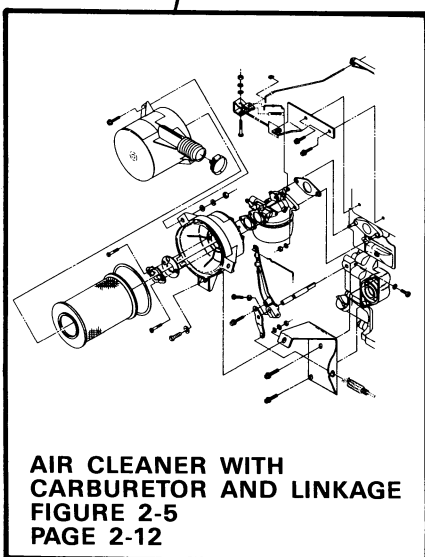
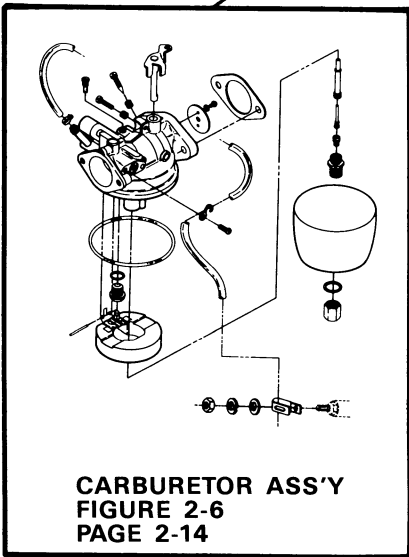
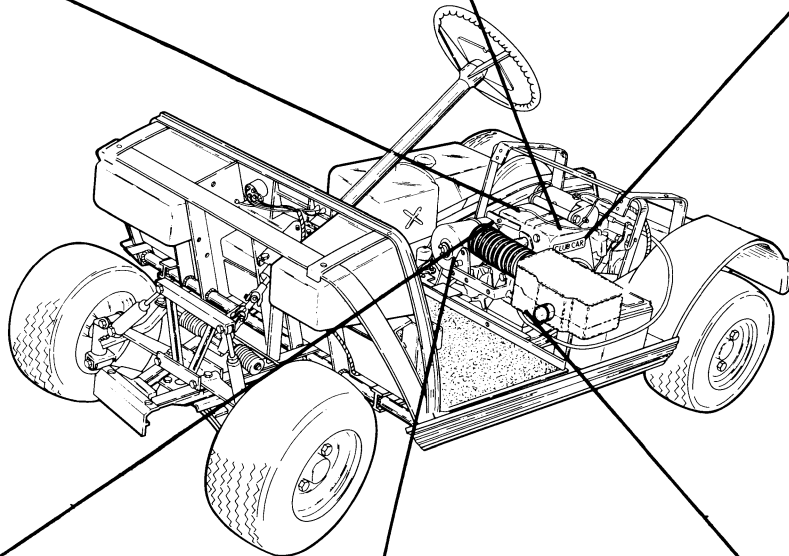
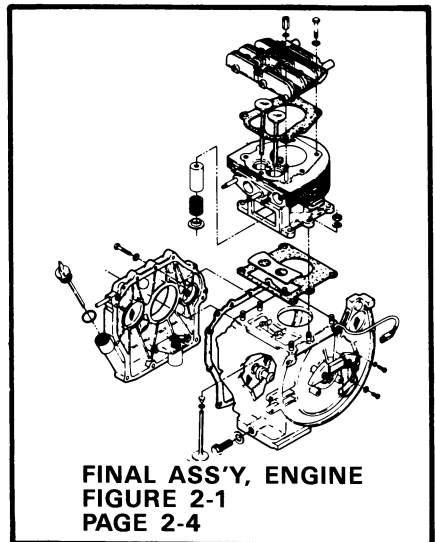
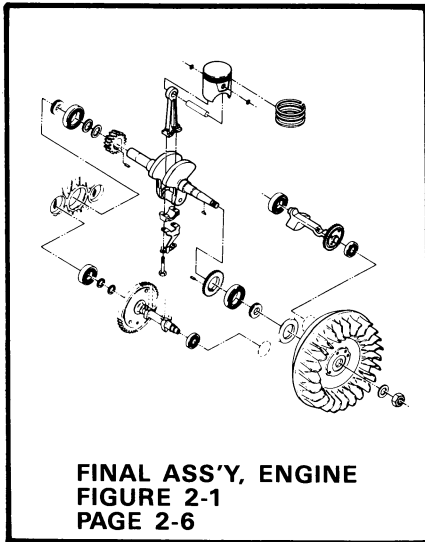
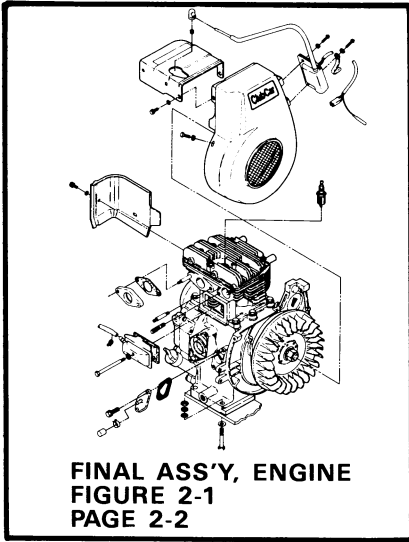


FINAL ASS'Y, WIRING DIAGRAM
FIGURE 5-1
PAGE 5-2

VISUAL INDEX I

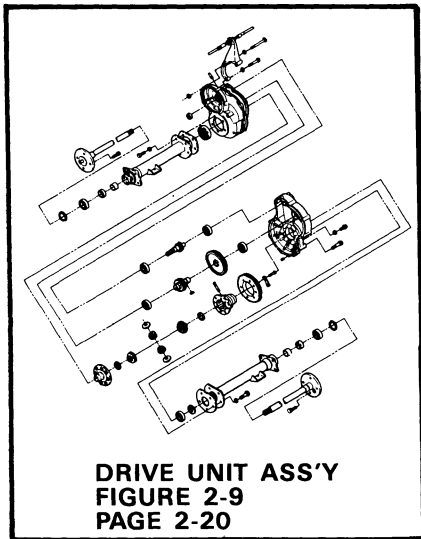


DS GASOLINE CLUB CAR

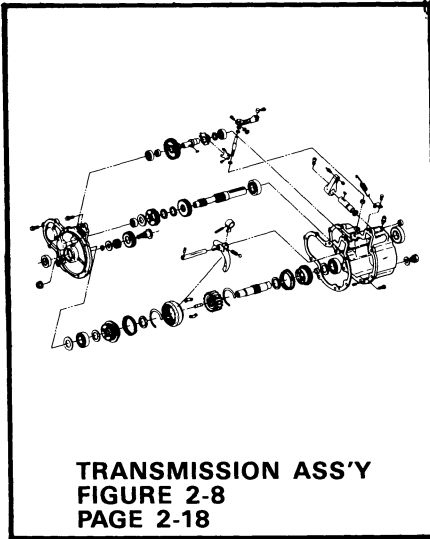


VISUAL INDEX II

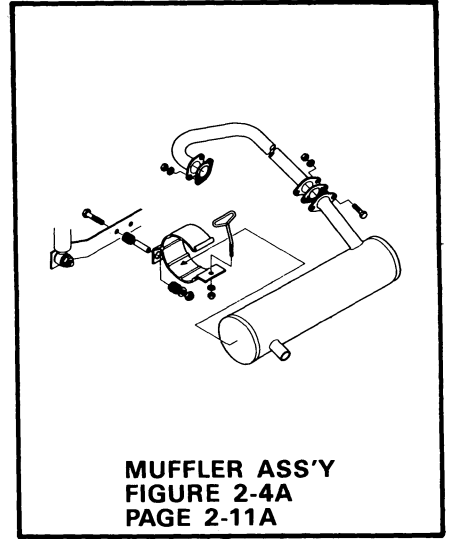
DS GASOLINE CLUB CAR



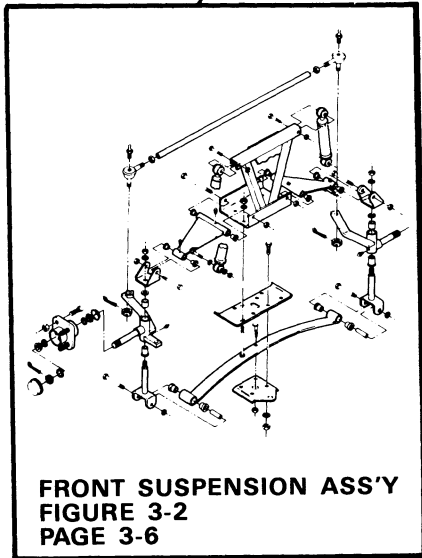
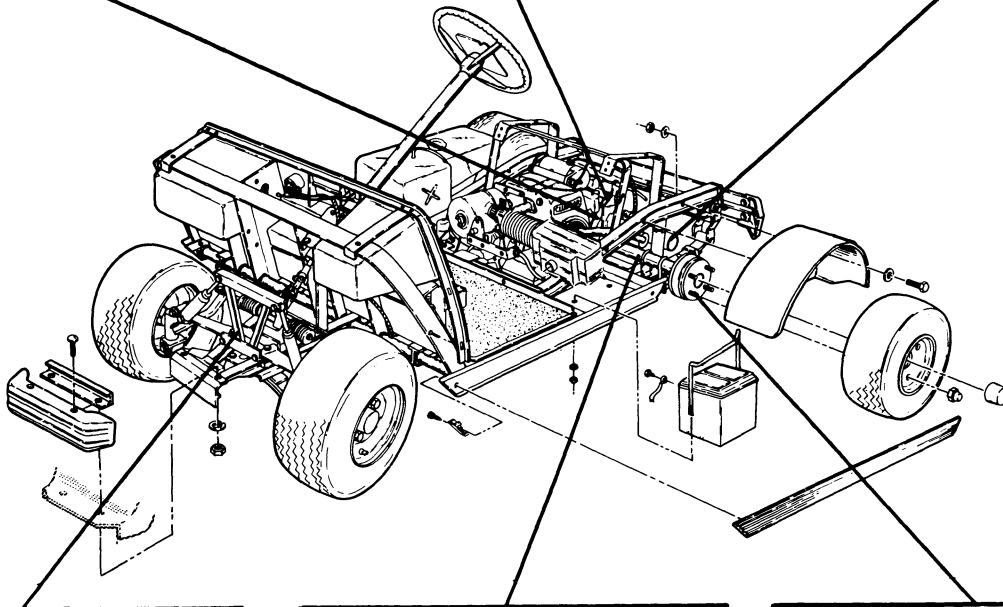
DRIVE UNIT ASS'Y
FIGURE 2-9
PAGE 2-20



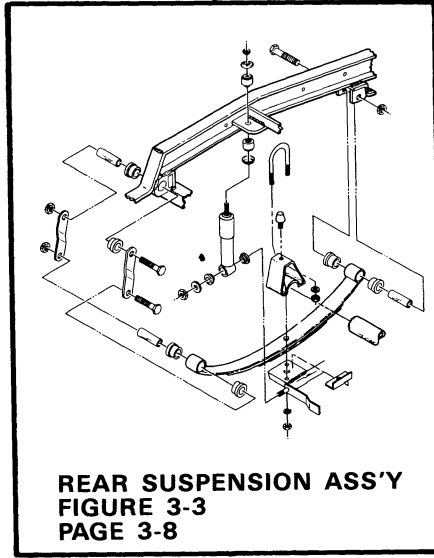
TRANSMISSION ASS'Y
FIGURE 2-8
PAGE 2-18



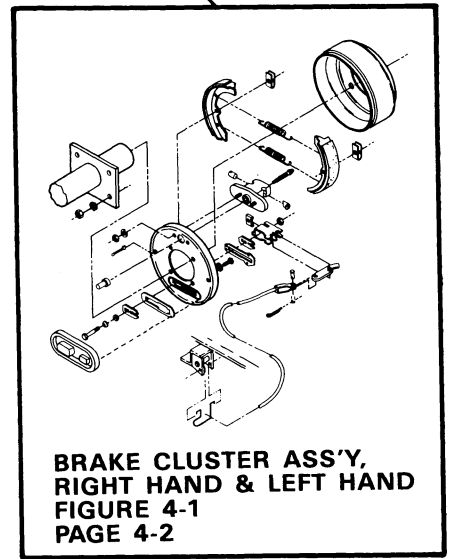
MUFFLER ASS'Y
FIGURE 2-4A
PAGE 2-11A



FRONT SUSPENSION ASS'Y
FIGURE 3-2
PAGE 3-6



REAR SUSPENSION ASS'Y
FIGURE 3-3
PAGE 3-8

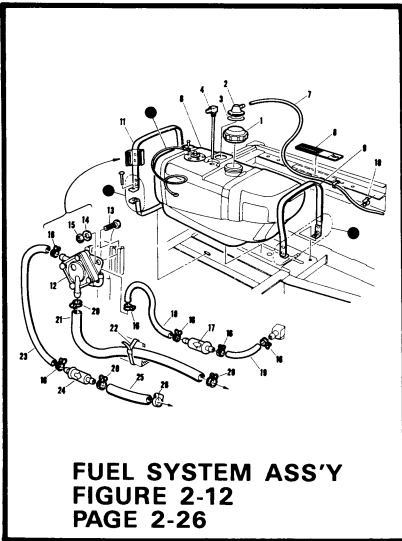


BRAKE CLUSTER ASS'Y,
RIGHT HAND & LEFT HAND
FIGURE 4-1
PAGE 4-2

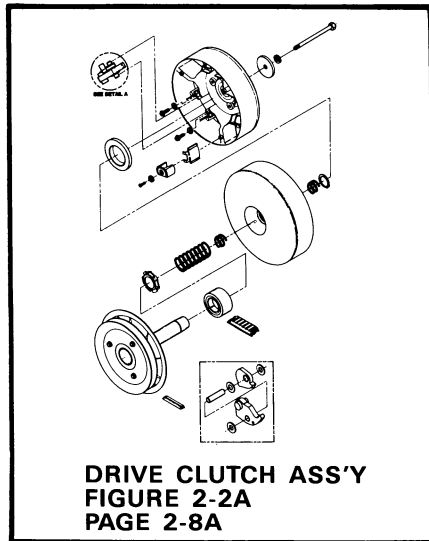
VISUAL INDEX III



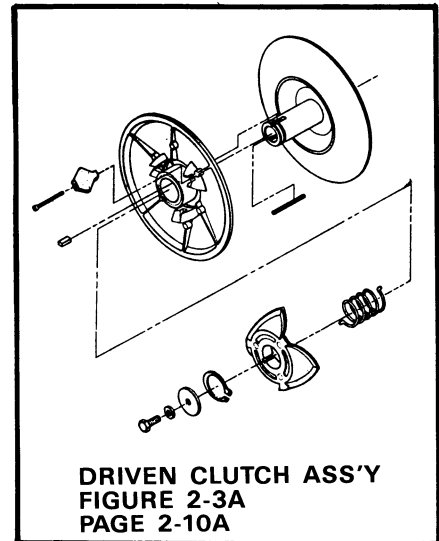
DS GASOLINE CLUB CAR



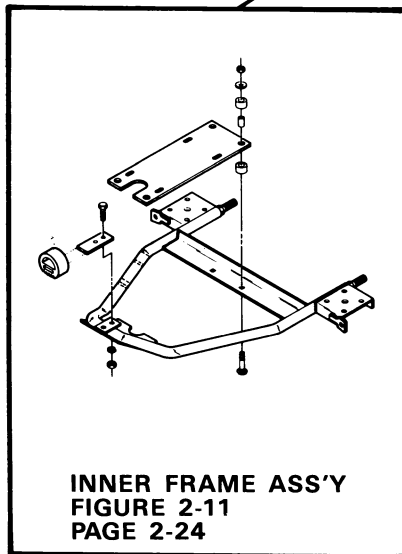
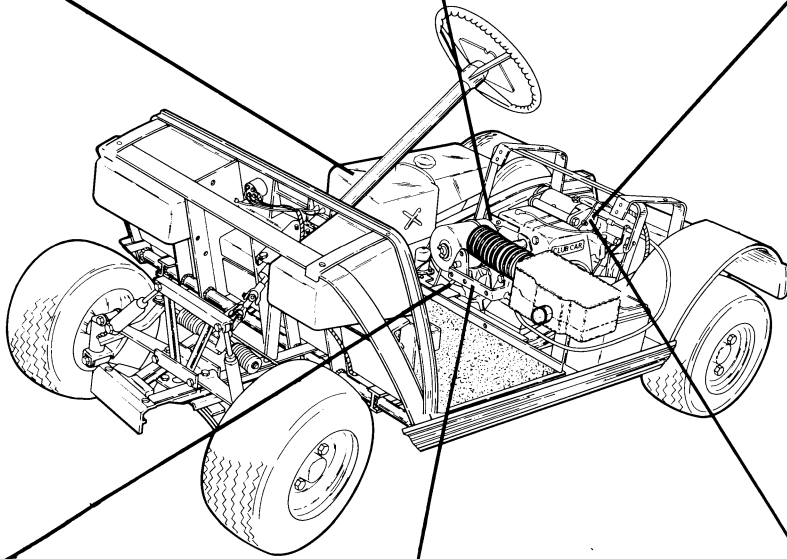
FUEL SYSTEM ASS'Y
FIGURE 2-12
PAGE 2-26



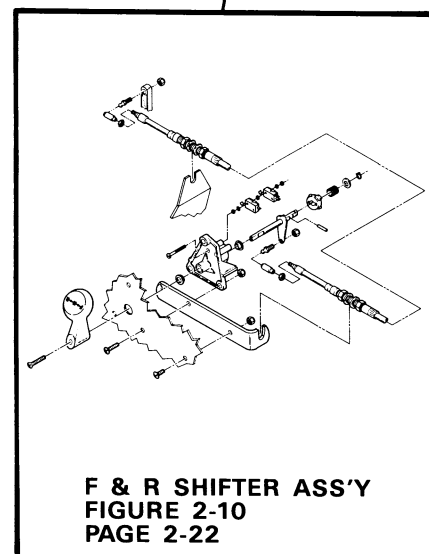
DRIVE CLUTCH ASS'Y
FIGURE 2-2A
PAGE 2-8A



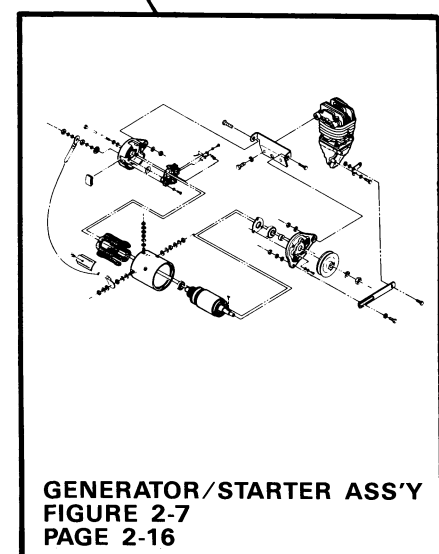
DRIVEN CLUTCH ASS'Y
FIGURE 2-3A
PAGE 2-10A



INNER FRAME ASS'Y
FIGURE 2-11
PAGE 2-24



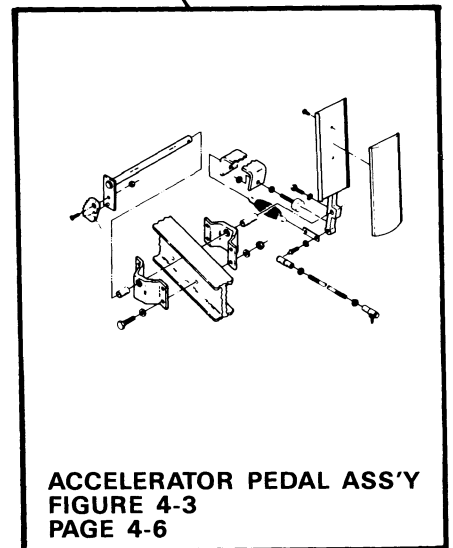
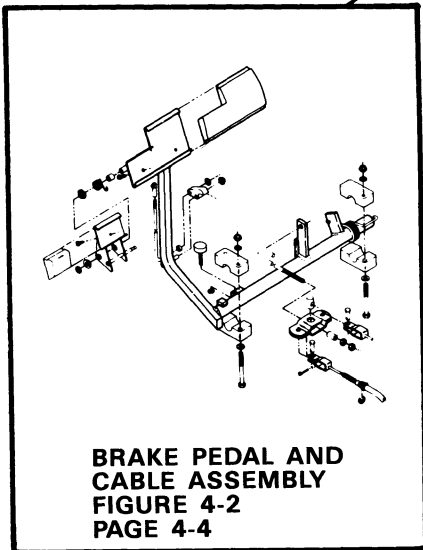
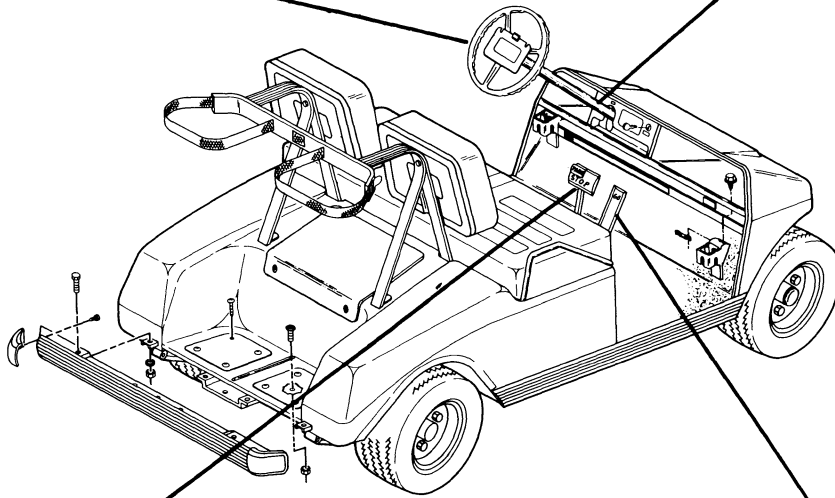
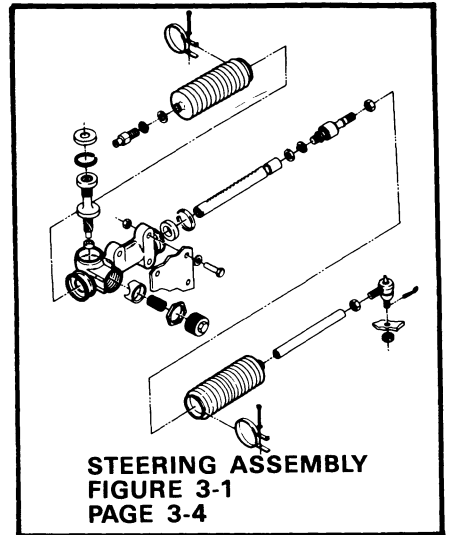
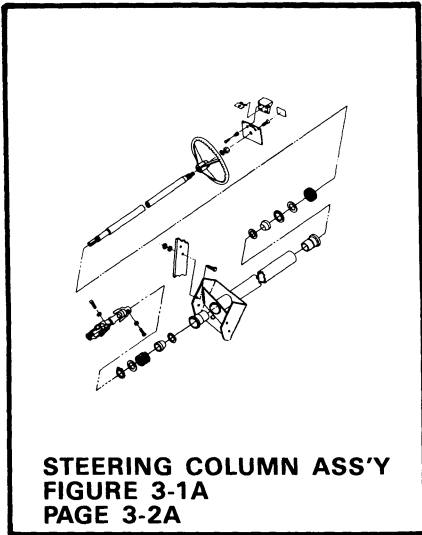
F & R SHIFTER ASS'Y
FIGURE 2-10
PAGE 2-22



GENERATOR/STARTER ASS'Y
FIGURE 2-7
PAGE 2-16

VISUAL INDEX IV

DS GASOLINE CLUB CAR



VISUAL INDEX V



Section I

BODY AND TRIM GROUP

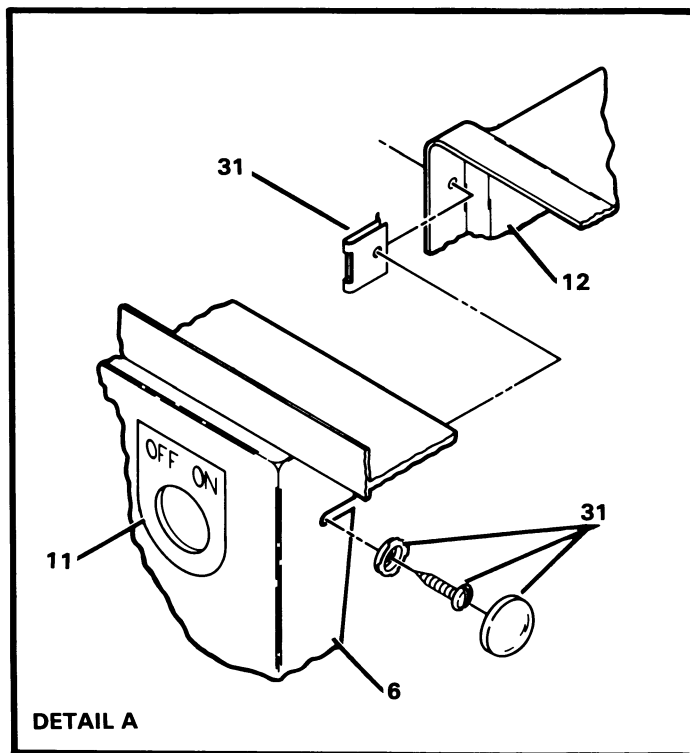
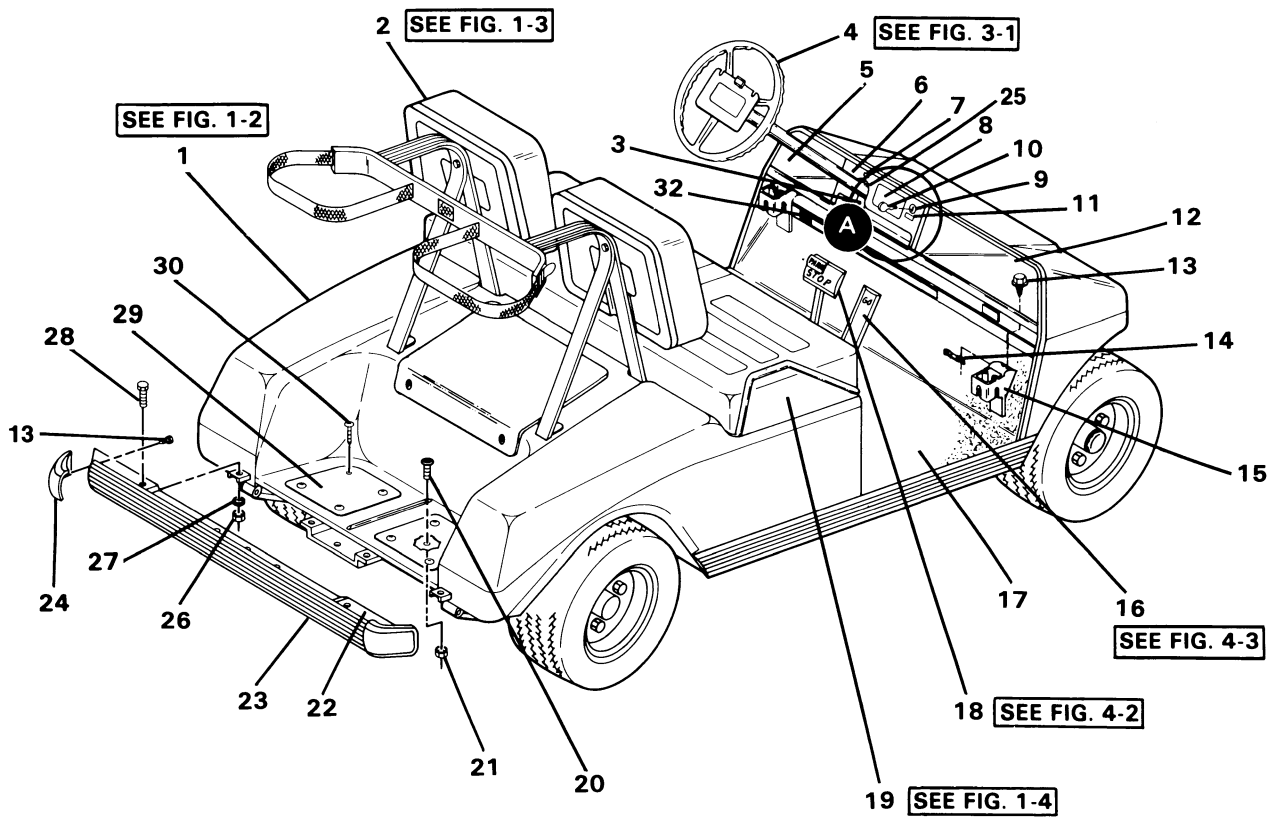


FIGURE 1-1. FINAL ASSEMBLY, GAS CAR. SHEET 1 OF 2. SEE LIST 1-1.

FINAL ASSEMBLY, GAS CAR

| FIGURE- ITEM NUMBER | PART NUMBER | UNITS PER ASM | DESCRIPTION | | | |
|---------------------------|----------------|---------------------|---|---|---|---|
| | | | 1 | 2 | 3 | 4 |
| 1 - | NO # | 1 | FINAL ASSEMBLY, GAS CAR FOR ILLUSTRATION, SEE FIGURE 1-1 | | | |
| - 1 | NO # | 1 | BODY ASSEMBLY, COVERS, FRONT AND REAR FOR DETAIL BREAKDOWN, SEE FIGURE 1-2 | | | |
| - 2 | NO # | 1 | SEAT BACK AND BAG HOOP ASSEMBLY FOR DETAIL BREAKDOWN, SEE FIGURE 1-3 | | | |
| - 3 | 1012499 | 1 | STEERING COLUMN BOOT | | | |
| - 4 | NO # | 1 | STEERING ASSEMBLY FOR DETAIL BREAKDOWN, SEE FIGURE 3-1 | | | |
| - 5 | 1013980 | 1 | DASH COMPONENT, LEFT (TAN) | | | |
| - 5 | 1013344 | 1 | DASH COMPONENT, LEFT (BLACK) | | | |
| - 6 | 1013977 | 1 | CENTER DASH PANEL WITH OIL LIGHT OPENING (TAN) | | | |
| - 6 | 1013340 | 1 | CENTER DASH PANEL WITH OIL LIGHT OPENING (BLACK) | | | |
| - 7 | 1016630 | 1 | OIL LIGHT | | | |
| - 8 | 1013390 | 1 | DECAL, GOLF ETIQUETTE | | | |
| - 9 | 1012415 | 1 | SWITCH, KEY INCLUDES ITEM 10 | | | |
| - 10 | 1012505 | PAIR | KEY | | | |
| - 11 | 1012530 | 1 | DECAL, ON/OFF | | | |
| - 12 | 1013979 | 1 | DASH COMPONENT, RIGHT (TAN) | | | |
| - 12 | 1013343 | 1 | DASH COMPONENT, RIGHT (BLACK) | | | |
| - 13 | 1010545 | 6 | SCREW - 1/4"-14 X 3/4" HEX WASHER HEAD | | | |
| - 14 | 1013421 | 2 | TWIN SPEED NUT 1/4-20 | | | |
| - 15 | 1013422 | 2 | CUP HOLDER INCLUDES ITEMS 13 AND 14 | | | |
| - 16 | NO # | 1 | ACCELERATOR PEDAL ASSEMBLY FOR DETAIL BREAKDOWN, SEE FIGURE 4-3 | | | |
| - 17 | 1015032 | 1 | MAT, FLOOR | | | |
| - 18 | NO # | 1 | BRAKE PEDAL AND CABLE ASSEMBLY FOR DETAIL BREAKDOWN, SEE FIGURE 4-2 | | | |
| - 19 | NO # | 1 | SEAT BOTTOM AND ARMREST ASSEMBLY FOR DETAIL BREAKDOWN, SEE FIGURE 1-4 | | | |
| - 20 | 8251 | 2 | SCREW, PHILLIPS TRUSS HEAD, 1/4-20 | | | |
| - 21 | 8233 | 2 | LOCKNUT, NYLON, 1/4-20 | | | |
| - 22 | 1013901 | 1 | REAR BUMPER ASSEMBLY INCLUDES ITEMS 23 THRU 28 | | | |
| - 23 | 1013900 | 1 | GUARD, REAR BUMPER | | | |
| - 24 | 1011086 | 2 | BUMPER END CAPS | | | |
| - 25 | 1014738 | 1 | BACK UP STRIP | | | |
| - 26 | 7473 | 4 | LOCKNUT, 5/16-28 UNC | | | |
| - 27 | 1241 | 4 | FLATWASHER, 5/16 | | | |
| - 28 | 1014826 | 4 | BOLT, CARRIAGE, 5/16-18 UNC X 1" | | | |
| - 29 | 1014392 | 2 | MAT, BAG WELL | | | |
| - 30 | 1010434 | 8 | FASTENER, PLASTIC BARREL | | | |
| - 31 | 1013986 | 2 | SNAP WASHER KIT (BROWN) | | | |
| - 31 | 1014645 | 2 | SNAP WASHER KIT (BLACK) | | | |
| - 32 | 1014883 | 1 | DASH WARNING DECAL | | | |
| - 33 | 1016335 | 2 | POP RIVET 1/4" X 3/4" (END CAP MOUNT) | | | |



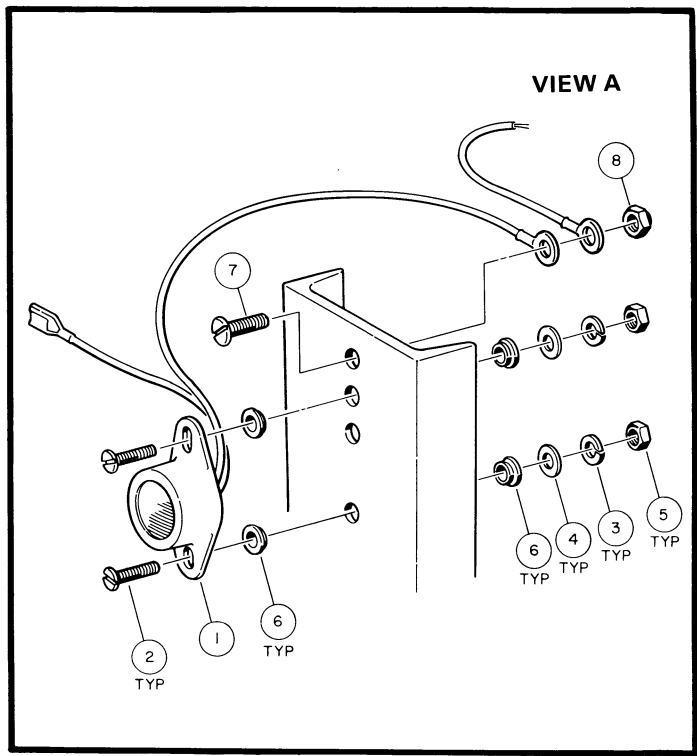
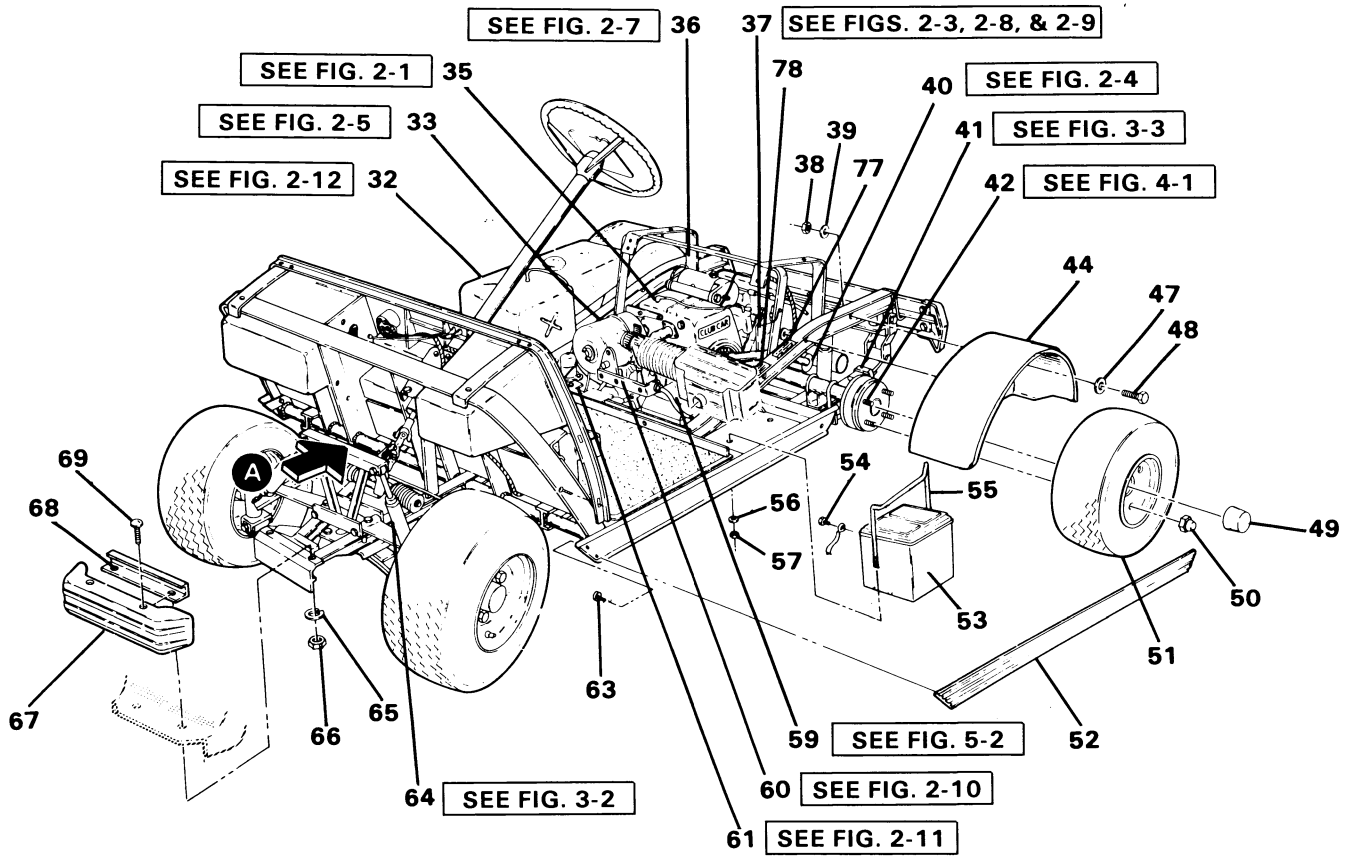
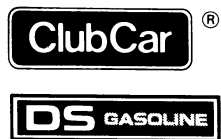


FIGURE 1-1. FINAL ASSEMBLY, GAS CAR. SHEET 2 OF 2. SEE LIST 1-1.



FINAL ASSEMBLY, GAS CAR

| FIGURE- ITEM NUMBER | PART NUMBER | UNITS PER ASM | DESCRIPTION | | | |
|---------------------------|----------------|---------------------|---|---|---|---|
| | | | 1 | 2 | 3 | 4 |
| - 32 | NO # | 1 | FUEL SYSTEM ASSEMBLY FOR DETAIL BREAKDOWN, SEE FIGURE 2-12 | | | |
| - 33 | NO # | 1 | AIR CLEANER WITH CARBURETOR AND LINKAGE FOR DETAIL BREAKDOWN, SEE FIGURE 2-5 | | | |
| - 35 | NO # | 1 | ENGINE, FINAL ASSEMBLY FOR DETAIL BREAKDOWN, SEE FIGURE 2-1 | | | |
| - 36 | NO # | 1 | GENERATOR/STARTER FOR DETAIL BREAKDOWN, SEE FIGURE 2-7 | | | |
| - 37 | NO # | 1 | TRANSMISSION, DRIVEN CLUTCH AND DRIVE UNIT FOR DETAIL BREAKDOWN, SEE FIGURES 2-3, 2-8, AND 2-9 | | | |
| - 38 | 1028 | 6 | NUT, 1/4-20 HEX | | | |
| - 39 | 451 | 6 | LOCKWASHER, 1/4" | | | |
| - 40 | NO # | 1 | MUFFLER ASSEMBLY FOR DETAIL BREAKDOWN, SEE FIGURE 2-4 | | | |
| - 41 | NO # | 1 | REAR SUSPENSION ASSEMBLY FOR DETAIL BREAKDOWN, SEE FIGURE 3-3 | | | |
| - 42 | NO # | 1 | BRAKE CLUSTER FOR DETAIL BREAKDOWN, SEE FIGURE 4-1 | | | |
| - 44 | 1013103 | 2 | FENDER, INNER | | | |
| - 47 | 332 | 6 | FLATWASHER, 1/4" | | | |
| - 48 | 304 | 6 | BOLT, 1/4-20x1" HEX | | | |
| - 49 | 1012186 | 2 | SEAL, DUST | | | |
| - 50 | 1010984 | 16 | NUT, LUG 1/2-20 | | | |
| - 51 | 1015705-01 | 4 | TIRE AND WHEEL ASSEMBLY, BEIGE (STANDARD RIB) | | | |
| - 51 | 1015705-02 | 4 | TIRE AND WHEEL ASSEMBLY, BEIGE (POWER RIB) | | | |
| - 51 | 1015705-03 | 4 | TIRE AND WHEEL ASSEMBLY, BEIGE (TERRA TRACTION) | | | |
| - 51 | 1015705-04 | 4 | TIRE AND WHEEL ASSEMBLY, BEIGE (WHITE WALL TERRAGARD) | | | |
| - 51 | 1015705-05 | 4 | TIRE AND WHEEL ASSEMBLY, BEIGE (TERRAGARD) | | | |
| - 52 | 1013983 | 2 | BUMPER, SIDE GUARD | | | |
| - 53 | 1012328 | 1 | BATTERY, 12V | | | |
| - 54 | 1012404 | 2 | BOLT, 3/8-16x3/8" HEX | | | |
| - 55 | 1013882 | 1 | HOLD DOWN, BATTERY | | | |
| - 56 | 1011931 | 2 | FLATWASHER, 1/4" | | | |
| - 57 | 8233 | 2 | LOCKNUT, 1/4-20 NYLON | | | |
| - 59 | NO # | 1 | ELECTRICAL COMPONENT BOX ASSEMBLY FOR DETAIL BREAKDOWN, SEE FIGURE 5-2 | | | |
| - 60 | NO # | 1 | F & R SHIFTER ASSEMBLY FOR DETAIL BREAKDOWN, SEE FIGURE 2-10 | | | |
| - 61 | NO # | 1 | INNER FRAME ASSEMBLY FOR DETAIL BREAKDOWN, SEE FIGURE 2-11 | | | |
| - 63 | 1012047 | 8 | SCREW, #8-32 SELF TAPPING | | | |
| - 64 | NO # | 1 | FRONT SUSPENSION ASSEMBLY FOR DETAIL BREAKDOWN, SEE FIGURE 3-2 | | | |
| - 65 | 7174 | 2 | LOCKWASHER, 5/16" | | | |
| - 66 | 1242 | 2 | NUT, 5/16-18 HEX | | | |
| - 67 | 1011977 | 1 | BUMPER | | | |
| - 68 | 1012204 | 1 | BUMPER PLATE | | | |
| - 69 | 1010435 | 2 | CARRIAGE BOLT, 5/16" | | | |
| - 70 | 8056 | 2 | SCREW, #4-40 X 3/4" ROUND HEAD MACHINE SCREW | | | |
| - 71 | 1015558 | 1 | BUZZER, 12V REVERSE | | | |
| - 72 | 8058 | 4 | LOCKWASHER, #4 HELICAL SPRING | | | |
| - 73 | 8057 | 2 | NUT, #4-40 HEX NUT | | | |
| - 76 | 1012431 | 4 | FLATWASHER, #4 | | | |
| - 77 | 1013394 | 1 | FRAME GROUND WARNING DECAL | | | |
| - 78 | 1013417 | 1 | BATTERY DANGER LABEL | | | |
| - 79 | 1015707 | 1 | WHEEL RIM (BEIGE) - SERVICE PARTS | | | |
| - 80 | 1014771 | 1 | WHEEL RIM (WHITE) - SERVICE PARTS | | | |
| - 81 | 1016141 | 4 | #4 NYLON SHOULDER WASHER | | | |
| - 82 | 1015720 | 1 | #6-32 X 1/2" PAN HEAD MACHINE SCREW | | | |
| - 83 | 1011229 | 1 | #6-32 "K" LOCKNUT | | | |



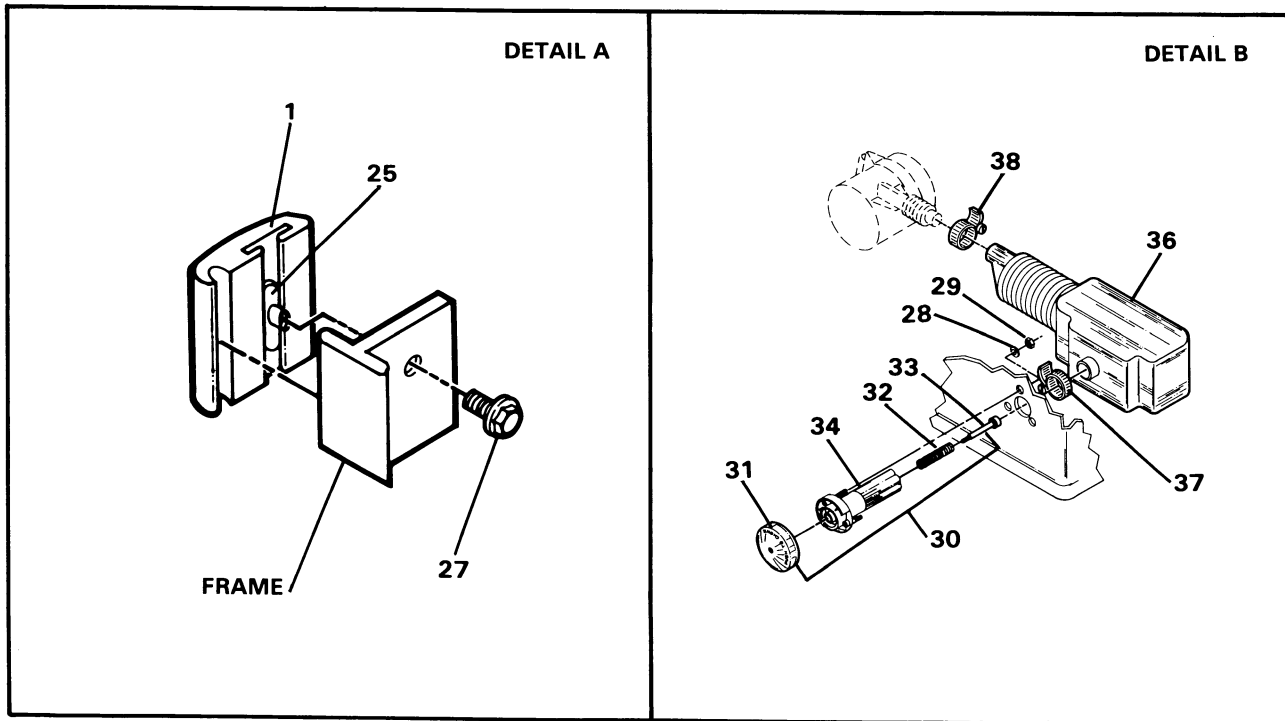
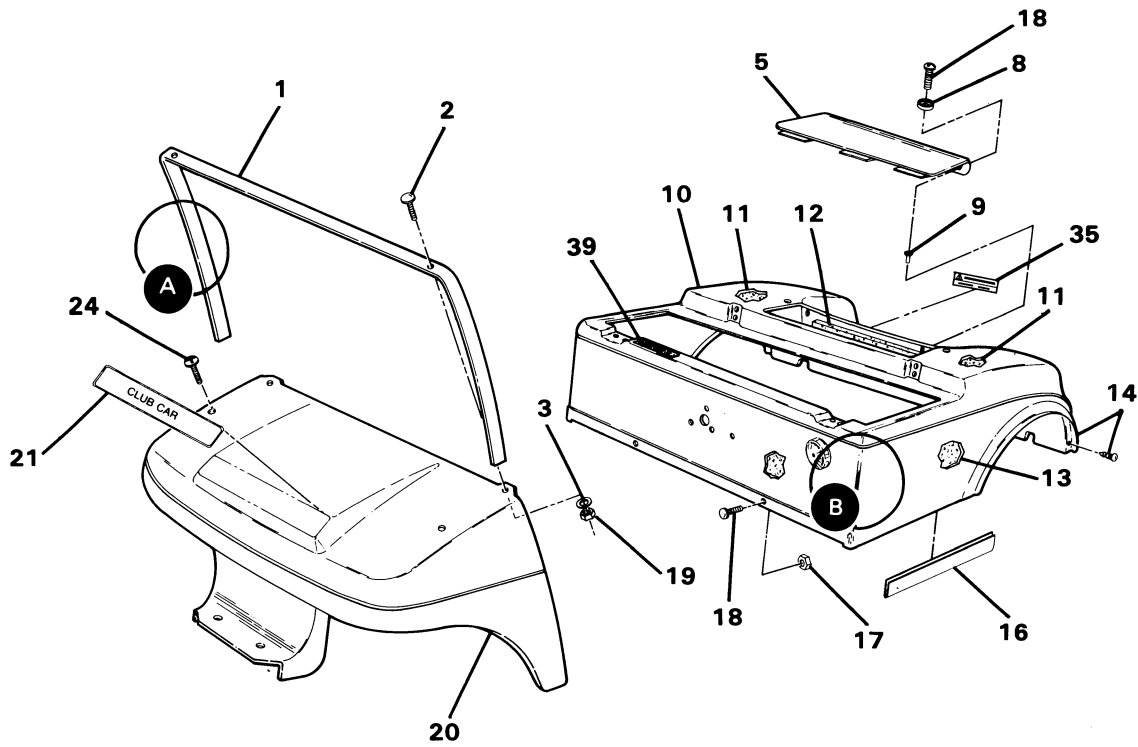


FIGURE 1-2. BODY ASSEMBLY, COVERS - FRONT AND REAR. SEE LIST 1-2.

BODY ASSEMBLY, COVERS — FRONT AND REAR

| FIGURE- ITEM NUMBER | PART NUMBER | UNITS PER ASM | DESCRIPTION | | | |
|---------------------------|----------------|---------------------|--|---|---|---|
| | | | 1 | 2 | 3 | 4 |
| 2 - | NO # | 1 | BODY ASSEMBLY, COVERS — FRONT AND REAR FOR ILLUSTRATION, SEE FIGURE 1-2 | | | |
| - 1 | 1011014 | 1 | COWL TRIM | | | |
| - 2 | 1010435 | 2 | CARRIAGE BOLT, 5/16-18 UNC-2A | | | |
| - 3 | 1241 | 2 | 5/16 FLATWASHER | | | |
| - 5 | 1013140 | 1 | ACCESS PANEL | | | |
| - 5 | 1013032 | 1 | ACCESS PANEL (BLACK) | | | |
| - 8 | 1012581 | 2 | NYLON CUP WASHER | | | |
| - 9 | 1015525 | 2 | 1/4-20 BLIND NUT | | | |
| - 10 | 1012782-01 | 1 | BODY ASSEMBLY (BEIGE) INCLUDES ITEMS 11, 12, AND 13 | | | |
| - 10 | 1012782-02 | 1 | BODY ASSEMBLY (WHITE) INCLUDES ITEMS 11, 12, AND 13 | | | |
| - 10 | 1012782-03 | 1 | BODY ASSEMBLY (NON STANDARD) INCLUDES ITEMS 11, 12, AND 13 | | | |
| - 10 | 1012782-04 | 1 | BODY ASSEMBLY (GRAY) INCLUDES ITEMS 11, 12, AND 13 | | | |
| - 10 | 1013054-01 | 1 | BODY ASSEMBLY WITH TAILLIGHT OPENING (BEIGE) INCLUDES ITEMS 11, 12, AND 13 | | | |
| - 10 | 1013054-02 | 1 | BODY ASSEMBLY WITH TAILLIGHT OPENING (WHITE) INCLUDES ITEMS 11, 12, AND 13 | | | |
| - 10 | 1013054-03 | 1 | BODY ASSEMBLY WITH TAILLIGHT OPENING (NON STANDARD) INCLUDES ITEMS 11, 12, AND 13 | | | |
| - 10 | 1013054-04 | 1 | BODY ASSEMBLY WITH TAILLIGHT OPENING (GRAY) INCLUDES ITEMS 11, 12, AND 13 | | | |
| - 11 | 1015420 | 2 | SOUND INSULATION | | | |
| - 12 | 1015423 | 1 | SOUND INSULATION | | | |
| - 13 | 1015419 | 1 | SOUND INSULATION | | | |
| - 14 | 1013350 | 1 | FENDER TRIM KIT, BEIGE | | | |
| - 14 | 1013351 | 1 | FENDER TRIM KIT, BLACK | | | |
| - 16 | 1011306 | 2 | VINYL TRIM | | | |
| - 17 | 8233 | 2 | LOCKNUT, 1/4-20 NYLON | | | |
| - 18 | 8251 | 4 | SCREW, 1/4-20 x 1.00 PHILLIPS HEAD | | | |
| - 19 | 7473 | 2 | LOCKNUT, 5/16-18 UNC-2B | | | |
| - 20 | 1015123-01 | 1 | COWL (BEIGE) | | | |
| - 20 | 1015123-02 | 1 | COWL (WHITE) | | | |
| - 20 | 1015123-03 | 1 | COWL (NON STANDARD) | | | |
| - 20 | 1015123-04 | 1 | COWL (GRAY) | | | |
| - 20 | 1016225-01 | 1 | COWL WITH HEADLIGHT OPENING (BEIGE) | | | |
| - 20 | 1016225-02 | 1 | COWL WITH HEADLIGHT OPENING (WHITE) | | | |
| - 20 | 1016225-03 | 1 | COWL WITH HEADLIGHT OPENING (NON STANDARD) | | | |
| - 20 | 1016225-04 | 1 | COWL WITH HEADLIGHT OPENING (GRAY) | | | |
| - 21 | 1014198 | 1 | NAME PLATE KIT | | | |
| - 24 | 7251 | 2 | SCREW, 5/16-18 X 1.00 PHILLIPS HEAD TRUSS | | | |
| - 25 | 1011394 | 1 | SLAB BASE "T" NUT PACKAGE (4 PIECES) | | | |
| - 27 | 1011017 | 6 | FLANGE LOCK SCREW | | | |
| - 28 | 183 | 3 | FLATWASHER, #10 PLAIN | | | |
| - 29 | 1013061 | 3 | LOCKNUT, #10-32 NYLON | | | |
| - 30 | 1012638 | 1 | CHOKE ASSEMBLY INCLUDES ITEMS 31, 32, 33, AND 34 | | | |
| - 31 | 1012629 | 1 | CHOKE COVER | | | |
| - 32 | 1012633 | 1 | CHOKE COMPRESSION SPRING | | | |
| - 33 | 1012634 | 1 | CHOKE SHOULDER SCREW | | | |
| - 34 | 1012630 | 1 | CHOKE BASE | | | |
| - 35 | 1013392 | 1 | WARNING: MOVING PARTS DECAL | | | |
| - 36 | 1013733 | 1 | AIR INTAKE EXPANSION CHAMBER | | | |
| - 37 | 1012349 | 1 | HOSE CLAMP, 2-3/4" | | | |
| - 38 | 1012348 | 1 | AIR INTAKE HOSE CLAMP, 2" | | | |
| - 39 | 1013395 | 1 | GASOLINE TANK DANGER LABEL | | | |



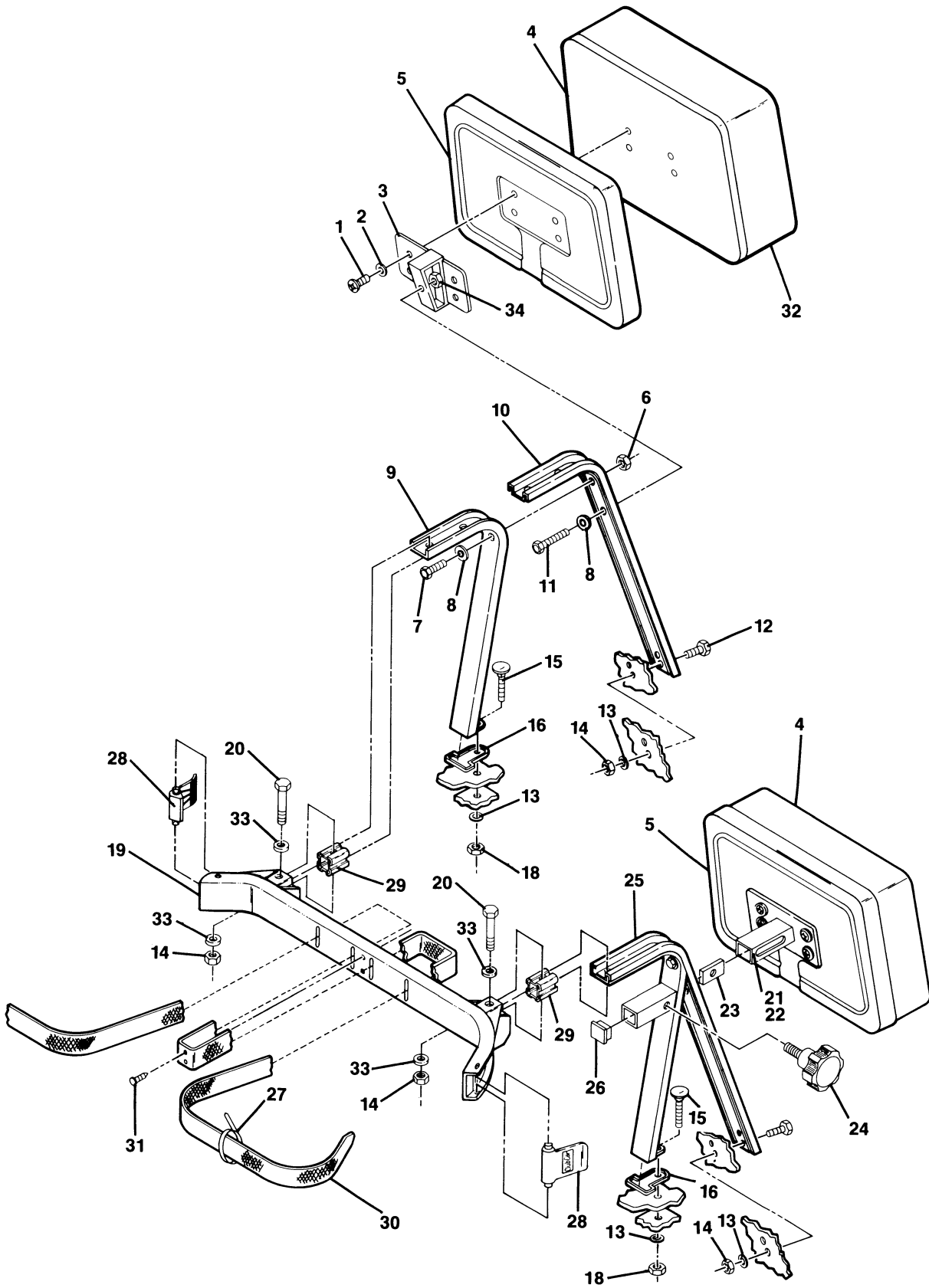


FIGURE 1-3. SEAT BACK AND BAG HOOP ASSEMBLY. SEE LIST 1-3.

SEAT BACK AND BAG HOOP ASSEMBLY

| FIGURE- ITEM NUMBER | PART NUMBER | UNITS PER ASM | DESCRIPTION | | | |
|---------------------------|----------------|---------------------|--|---|---|---|
| | | | 1 | 2 | 3 | 4 |
| 3 - | NO # | 1 | BAG HOOP AND SEAT BACK ASSEMBLY FOR ILLUSTRATION, SEE FIGURE 1-3 | | | |
| - 1 | 8248 | 8 | SCREW, 1/4-20 x 3/4" | | | |
| - 2 | 8304 | 8 | LOCKWASHER, 1/4" INTERNAL TOOTH | | | |
| - 3 | 1011716 | 2 | PLATE MOUNTING ASSEMBLY | | | |
| - 4 | 1015651-01 | 2 | SEAT BACK ASSEMBLY — THICK BUNN (BUFF WITH TAN CAP) INCLUDES ITEM 5 | | | |
| - 4 | 1015651-02 | 2 | SEAT BACK ASSEMBLY — THICK BUNN (WHITE WITH BLACK CAP) INCLUDES ITEM 5 | | | |
| - 4 | 1015651-03 | 2 | SEAT BACK ASSEMBLY — THICK BUNN (NON-STANDARD WITH BLACK CAP) INCLUDES ITEM 5 | | | |
| - 4 | 1015651-04 | 2 | SEAT BACK ASSEMBLY — THICK BUNN (WHITE WITH BEIGE CAP) INCLUDES ITEM 5 | | | |
| - 5 | 1011231 | 2 | CAP, SEAT BACK (BEIGE) | | | |
| - 5 | 1013938 | 2 | CAP, SEAT BACK (TAN) | | | |
| - 5 | 1013335 | 2 | CAP, SEAT BACK (BLACK) | | | |
| - 6 | 8233 | 2 | LOCKNUT, 1/4-20 NYLON | | | |
| - 7 | 7847 | 2 | BOLT, HEX HEAD, 1/4-20 x 3/4" | | | |
| - 8 | 332 | 6 | FLATWASHER, 1/4" | | | |
| - 9 | 1011710 | 2 | KNEE BRACE WELD ASSEMBLY | | | |
| - 10 | 1011708 | 2 | MAIN SEAT BACK SUPPORT | | | |
| - 11 | 1015521 | 2 | BOLT, HEX HEAD, 1/4-20 x 7/8" | | | |
| - 12 | 1218 | 4 | BOLT, HEX HEAD, 5/16-18 x 1-1/4" | | | |
| - 13 | 1241 | 6 | FLATWASHER, 5/16" | | | |
| - 14 | 7473 | 8 | LOCKNUT, 5/16-18 NYLON | | | |
| - 15 | 7818 | 2 | BOLT, 5/16-18 x 1-1/2" CARRIAGE | | | |
| - 16 | 1011706 | 2 | MOUNTING PAD | | | |
| - 18 | 1242 | 2 | NUT, HEX, 5/16-18 | | | |
| - 19 | 1013935 | 1 | BAG HOOP ASSEMBLY INCLUDES ITEMS 28, 30 AND 31 | | | |
| - 20 | 8935 | 2 | BOLT, HEX HEAD, 5/16-18 x 2-1/4" | | | |
| - 21 | 1011794 | A/R | ADJUSTABLE SEAT BACK KIT (OPTION) INCLUDES ITEMS 22-26 | | | |
| - 22 | 1011752 | 2 | MOUNTING PLATE WELD ASSEMBLY | | | |
| - 23 | 1010322 | 2 | SEAT ADJUSTER LOCK | | | |
| - 24 | 1011761 | 2 | SEAT ADJUSTER KNOB | | | |
| - 25 | NO # | 2 | ADJUSTABLE SEAT BACK WELD ASSEMBLY (SEE ITEM 21) | | | |
| - 26 | 1011760 | 2 | TUBE PLUG | | | |
| - 27 | 8639 | 1 | TIE WRAP | | | |
| - 28 | 1013754 | 2 | BUCKLE | | | |
| - 29 | 1013884 | 2 | SPACER, BAG HOOP | | | |
| - 30 | 1010413 | 1 | BELT STRAP ASSEMBLY | | | |
| - 31 | 1010434 | 2 | PLASTIC BARRELS (BLACK) | | | |
| - 32 | 1015626-01 | A/R | VINYL COVER - SEAT BACK (BUFF) | | | |
| - 32 | 1015626-02 | A/R | VINYL COVER - SEAT BACK (WHITE) | | | |
| - 32 | 1015626-03 | A/R | VINYL COVER - SEAT BACK (NON-STANDARD) | | | |
| - 33 | 1011697 | 4 | FLATWASHER, 5/16" | | | |
| - 34 | 1015661 | 2 | 1/4-20 FLANGE LOCKNUTS | | | |



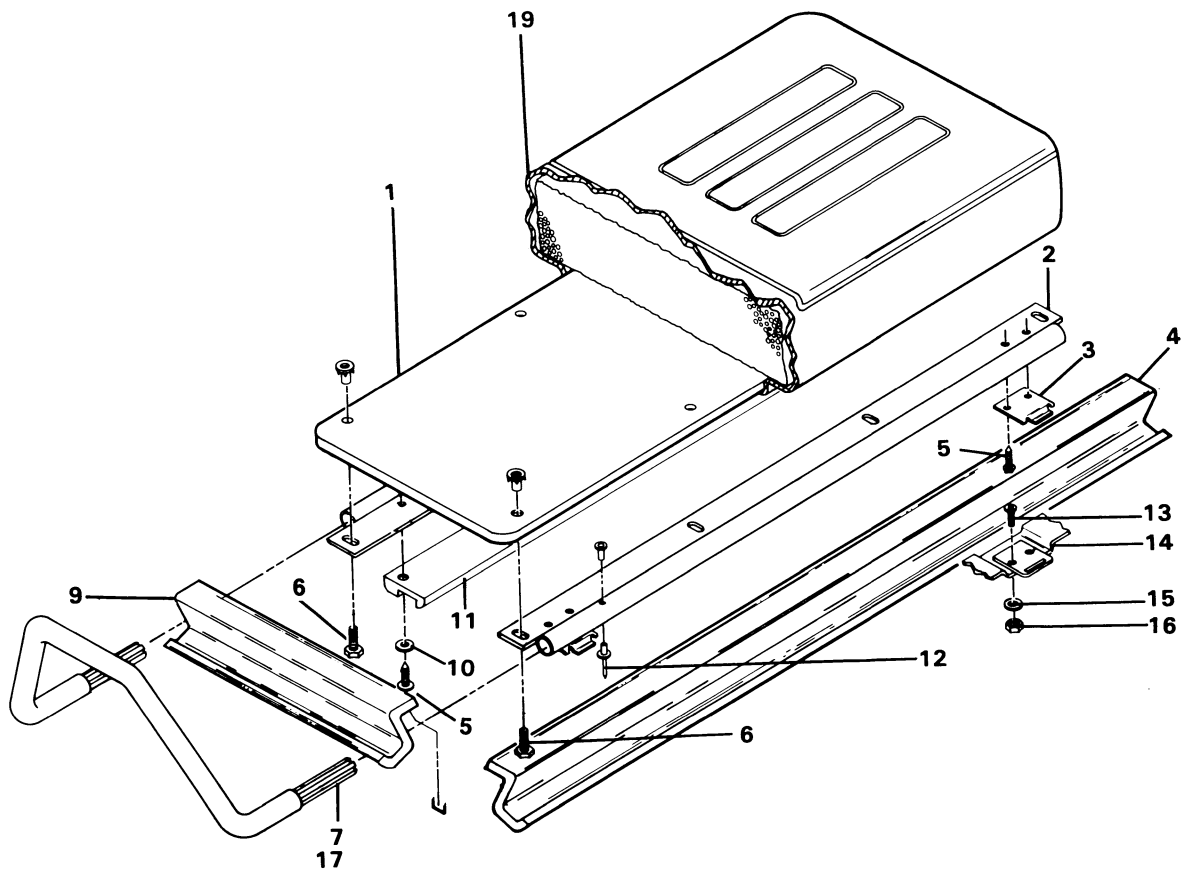


FIGURE 1-4. SEAT BOTTOM AND ARMREST ASSEMBLY. SEE LIST 1-4.

SEAT BOTTOM AND ARMREST ASSEMBLY

| FIGURE- ITEM NUMBER | PART NUMBER | UNITS PER ASM | DESCRIPTION | | | |
|---------------------------|----------------|---------------------|--|---|---|---|
| | | | 1 | 2 | 3 | 4 |
| 4 - | NO # | 1 | SEAT BOTTOM AND ARMREST ASSEMBLY FOR ILLUSTRATION, SEE FIGURE 1-4 | | | |
| - 1 | 1015648-04 | 1 | SEAT BOTTOM ASSEMBLY (BUFF) | | | |
| - 1 | 1015648-05 | 1 | SEAT BOTTOM ASSEMBLY (WHITE) | | | |
| - 1 | 1015648-06 | 1 | SEAT BOTTOM ASSEMBLY (NON STANDARD) | | | |
| - 2 | 1015625 | 2 | BRACKET, SEAT SUPPORT | | | |
| - 3 | 1011652 | 2 | PLATE, SEAT HINGE | | | |
| - 4 | 1012657 | 1 | GASKET, SEAT (LONG) | | | |
| - 5 | 1011451 | 9 | SCREW, #12 TYPE AB | | | |
| - 6 | 304 | 8 | BOLT, 1/4-20 HEX | | | |
| - 7 | 1011786 | 1 | LEFT ARMREST ASSEMBLY | | | |
| - 9 | 1012656 | 2 | GASKET, SEAT (SHORT) | | | |
| - 10 | 183 | 5 | WASHER, #10 FLAT | | | |
| - 11 | 1012597 | 1 | BUMPER, SEAT | | | |
| - 12 | 1012327 | 4 | RIVET, 3/16 MATING | | | |
| - 13 | 8251 | 4 | SCREW, 1/4-20 PHILLIPS HEAD | | | |
| - 14 | 1012412 | 2 | PLATE, BODY HINGE | | | |
| - 15 | 332 | 4 | WASHER, 1/4 FLAT | | | |
| - 16 | 8233 | 4 | NUT, 1/4-20 NYLON LOCK | | | |
| - 17 | 1011780 | 1 | RIGHT ARMREST ASSEMBLY | | | |
| - 19 | 1015627-01 | A/R | VINYL COVER - SEAT BOTTOM (BUFF) | | | |
| - 19 | 1015627-02 | A/R | VINYL COVER - SEAT BOTTOM (WHITE) | | | |
| - 19 | 1015627-03 | A/R | VINYL COVER - SEAT BOTTOM (NON STANDARD) | | | |
| - 20 | 1015670 | 1 | ARMREST SEAT BOTTOM ASSEMBLY KIT INCLUDES ITEMS 2, 12, 7 AND 17 | | | |





Section II

POWER TRAIN GROUP

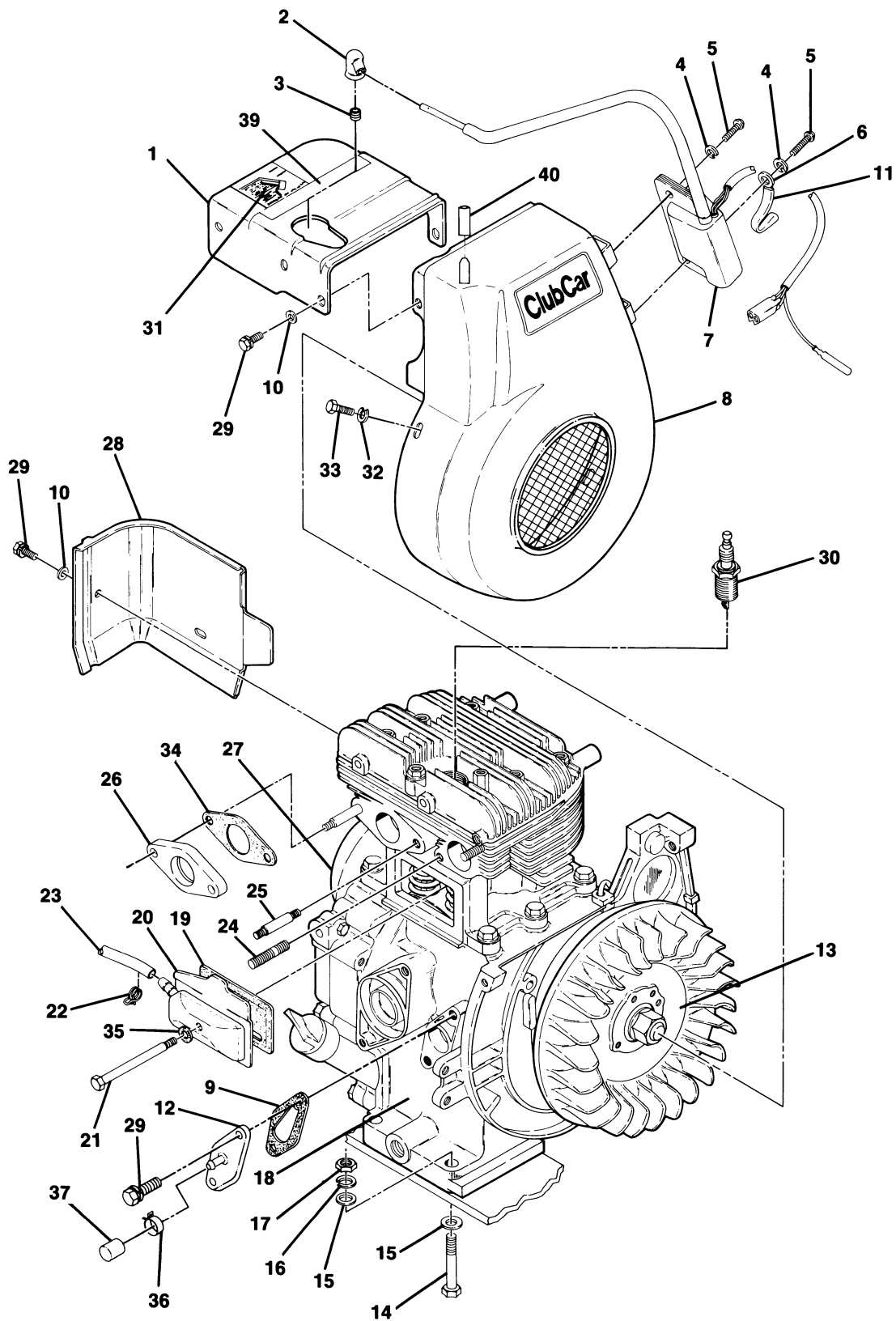


FIGURE 2-1. FINAL ASSEMBLY, ENGINE. SEE LIST 2-1.

FINAL ASSEMBLY, ENGINE

| FIGURE- ITEM NUMBER | PART NUMBER | UNITS PER ASM | DESCRIPTION | | | |
|---------------------------|----------------|---------------------|--|---|---|---|
| | | | 1 | 2 | 3 | 4 |
| 1 - | 1013747 | 1 | FINAL ASSEMBLY, ENGINE/WITH CARBURETOR FOR ILLUSTRATION, SEE FIGURE 2-1 | | | |
| - 1 | 1013954 | 1 | SHROUD | | | |
| - 2 | 1012845 | 1 | CAP, PLUG | | | |
| - 3 | 1012844 | 1 | SPRING | | | |
| - 4 | 451 | 6 | LOCKWASHER, 1/4 | | | |
| - 5 | 1015930 | 1 | M6 X 25MM PAN HEAD SCREW | | | |
| - 6 | 1012843 | 1 | CLAMP | | | |
| - 7 | 1015925 | 1 | IGNITION COIL | | | |
| - 8 | 1014533 | 1 | HOUSING FAN | | | |
| - 9 | 1013952 | 1 | GASKET | | | |
| - 10 | 332 | 5 | FLATWASHER, 1/4 | | | |
| - 11 | 1012945 | 1 | TUBE, WIRE CLAMP | | | |
| - 12 | 1013953 | 1 | COVER, PUMP | | | |
| - 13 | 1012866 | 1 | FLYWHEEL | | | |
| - 14 | 8861 | 4 | BOLT, 3/8-16 X 1-3/4 | | | |
| - 15 | 1011990 | 8 | FLATWASHER, 3/8 | | | |
| - 16 | 357 | 4 | LOCKWASHER, 3/8 | | | |
| - 17 | 706 | 4 | NUT, HEX, 3/8-16 | | | |
| - 18 | 1013988 | 1 | CRANKCASE ASSEMBLY KIT INCLUDES ITEMS 9, 12, 18, 29, 36, 37 | | | |
| - 19 | 1012846 | 1 | GASKET | | | |
| - 20 | 1012847 | 1 | COVER, INSPECTION | | | |
| - 21 | 1012853 | 1 | BOLT, 6 X 70 | | | |
| - 22 | 1012849 | 1 | CLIP | | | |
| - 23 | 1012848 | 1 | TUBE, RUBBER | | | |
| - 24 | 1012889 | 2 | STUD, 8 X 33 | | | |
| - 25 | 1012890 | 2 | STUD, 6 X 38 | | | |
| - 26 | 1012887 | 1 | INSULATOR | | | |
| - 27 | NO # | 1 | DRIVE CLUTCH FOR DETAIL BREAKDOWN, SEE FIGURE 2-2 | | | |
| - 28 | 1012841 | 1 | COVER, CYLINDER | | | |
| - 29 | 1012529 | 7 | BOLT WITH LOCKWASHER, 6 X 12 | | | |
| - 30 | 1012522 | 1 | PLUG, SPARK | | | |
| - 31 | 1012577 | 1 | DECAL, ENGINE OIL | | | |
| - 32 | 7174 | 4 | LOCKWASHER, 5/16 | | | |
| - 33 | 1012891 | 4 | BOLT, 8 X 16 | | | |
| - 34 | 1012509 | 1 | GASKET | | | |
| - 35 | 1012852 | 1 | GASKET | | | |
| - 36 | 1013746 | 1 | CLAMP HOSE | | | |
| - 37 | 1013818 | 1 | SLEEVE CAP | | | |
| - 38 | 1012537 | 1 | ENGINE DECAL | | | |
| - 39 | 1012577 | 1 | DECAL, ENGINE OIL | | | |
| - 40 | 1014532 | 1 | TUBE, CLAMP | | | |
| - 41 | 1015929 | 1 | M6 X 20MM PAN HEAD SCREW (NOT SHOWN) | | | |
| - 42 | 1015923 | 1 | IGNITION RPM LIMITER (NOT SHOWN) | | | |
| - 43 | 1015933 | 1 | RPM LIMITER IGNITION KIT (NOT SHOWN) INCLUDES ITEMS 5, 7, 41 AND 42 | | | |



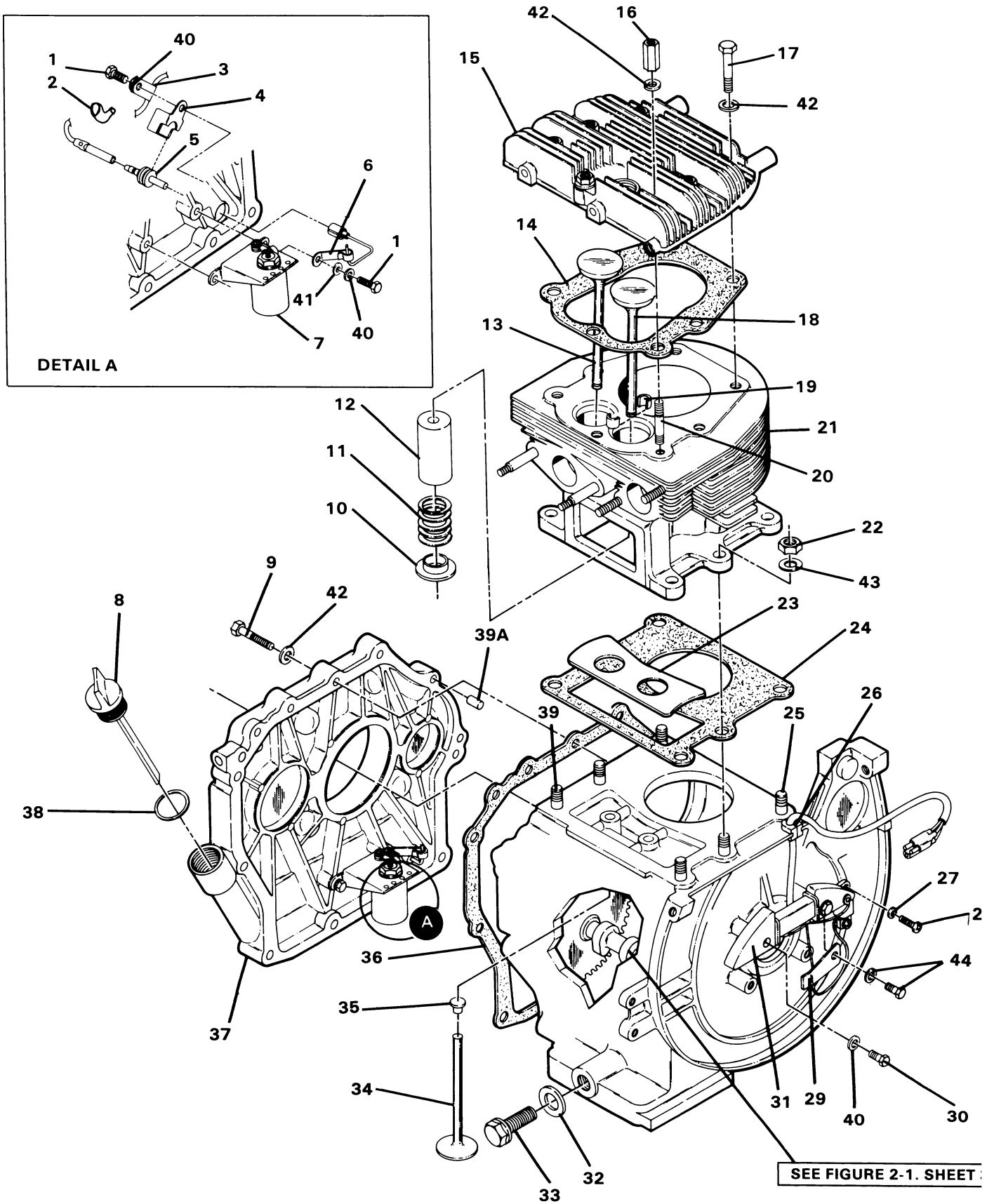


FIGURE 2-1. FINAL ASSEMBLY, ENGINE. SEE LIST 2-1.

FINAL ASSEMBLY, ENGINE

| FIGURE- ITEM NUMBER | PART NUMBER | UNITS PER ASM | DESCRIPTION | | | |
|---------------------------|----------------|---------------------|---|---|---|---|
| | | | 1 | 2 | 3 | 4 |
| 1 - | NO # | | FINAL ASSEMBLY, ENGINE FOR ILLUSTRATION, SEE FIGURE 2-1. | | | |
| - 1 | 1012909 | 3 | BOLT, 6 X 14 | | | |
| - 2 | 1012945 | 2 | TUBING | | | |
| - 3 | 1012981 | 1 | CLAMP | | | |
| - 4 | 1012939 | 1 | HOLDER | | | |
| - 5 | 1012938 | 1 | CONNECTOR, CORD | | | |
| - 6 | 1012941 | 1 | CLAMP | | | |
| - 7 | 1012984 | 1 | OIL SENDING UNIT | | | |
| - 8 | 1012523 | 1 | GAUGE, OIL | | | |
| - 9 | 1012895 | 9 | BOLT, 8 X 38 | | | |
| - 10 | 1012864 | 2 | SEAT, SPRING | | | |
| - 11 | 1012525 | 2 | SPRING, VALVE | | | |
| - 12 | 1012983 | 1 | GUIDE, EXHAUST VALVE | | | |
| - 13 | 1012513 | 1 | VALVE, INLET | | | |
| - 14 | 1012511 | 1 | GASKET, HEAD | | | |
| - 15 | 1013963 | 1 | HEAD, CYLINDER | | | |
| - 16 | 1012857 | 1 | NUT, LONG | | | |
| - 17 | 1012899 | 6 | BOLT, 8 X 45 | | | |
| - 18 | 1012514 | 1 | VALVE, EXHAUST | | | |
| - 19 | 1012863 | 2 | COLLET, VALVE | | | |
| - 20 | 1012926 | 1 | STUD | | | |
| - 21 | 1012512 | 1 | CYLINDER ASSEMBLY | | | |
| - 22 | 1012708 | 6 | NUT, 10MM | | | |
| - 23 | 1012858 | 1 | PLATE, BREATHER | | | |
| - 24 | 1012518 | 1 | GASKET, CYLINDER | | | |
| - 25 | 1012985 | 5 | STUD | | | |
| - 26 | 1012854 | 1 | GROMMET | | | |
| - 27 | 1012986 | 2 | LOCKWASHER, M4 | | | |
| - 28 | 1012898 | 2 | SCREW, 4 X 14 | | | |
| - 29 | 1012855 | 1 | CLAMP | | | |
| - 30 | 1012897 | 1 | BOLT, 6 X 30 | | | |
| - 31 | 1012521 | 1 | COIL EXCITING | | | |
| - 32 | 1012861 | 1 | GASKET | | | |
| - 33 | 1012860 | 1 | PLUG, MAIN DRAIN | | | |
| - 34 | 1012865 | 2 | TAPPET | | | |
| - 35 | 1012947 | A/R | CAP, TAPPET t = 2.7MM | | | |
| - 35 | 1012948 | A/R | CAP, TAPPET t = 2.9MM | | | |
| - 35 | 1012949 | A/R | CAP, TAPPET t = 3.15MM | | | |
| - 35 | 1012950 | A/R | CAP, TAPPET t = 3.4MM | | | |
| - 35 | 1012951 | A/R | CAP, TAPPET t = 3.65MM | | | |
| - 36 | 1012519 | 1 | GASKET | | | |
| - 37 | 1012894 | 1 | SIDE BASE | | | |
| - 38 | 1012862 | 1 | O-RING | | | |
| - 39 | 1012927 | 1 | STUD | | | |
| - 39A | 1012896 | 2 | PIN, DOWEL | | | |
| - 40 | 451 | 6 | LOCKWASHER, 1/4 | | | |
| - 41 | 332 | 2 | FLATWASHER, 1/4 | | | |
| - 42 | 1241 | 9 | FLATWASHER, 5/16 | | | |
| - 43 | 1011990 | 6 | FLATWASHER, 3/8 | | | |
| - 44 | 1012529 | 1 | BOLT WITH LOCKWASHER, 6 X 12 | | | |



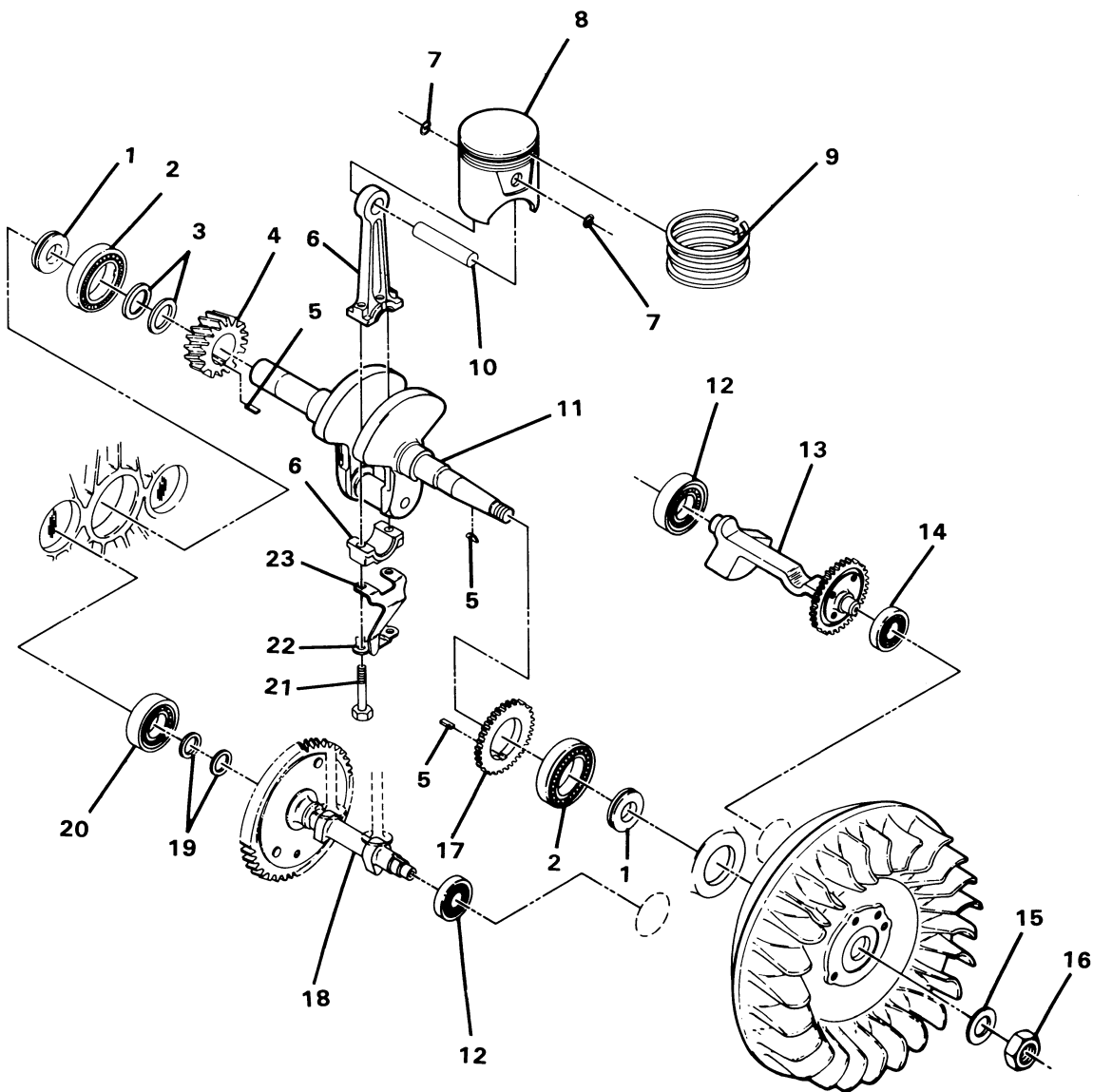


FIGURE 2-1. FINAL ASSEMBLY, ENGINE. SEE LIST 2-1.

FINAL ASSEMBLY, ENGINE

| FIGURE- ITEM NUMBER | PART NUMBER | UNITS PER ASM | DESCRIPTION | | | |
|---------------------------|----------------|---------------------|---|---|---|---|
| | | | 1 | 2 | 3 | 4 |
| 1 - | NO # | | FINAL ASSEMBLY, ENGINE FOR ILLUSTRATION, SEE FIGURE 2-1. | | | |
| - 1 | 1012524 | 2 | SEAL, OIL | | | |
| - 2 | 1012867 | 2 | BEARING, BALL, 6306 | | | |
| - 3 | 1012873 | A/R | SHIM, t = 1.05MM | | | |
| - 3 | 1012954 | A/R | SHIM, t = 1.40MM | | | |
| - 3 | 1012955 | A/R | SHIM, t = 1.70MM | | | |
| - 4 | 1012872 | 1 | GEAR, CRANK | | | |
| - 5 | 1012871 | 3 | KEY | | | |
| - 6 | 1012517 | 1 | CONNECTING ROD ASSEMBLY | | | |
| - 7 | 1012878 | 2 | RING, SNAP | | | |
| - 8 | 1012515 | 1 | PISTON, STANDARD | | | |
| - 8 | 1012958 | A/R | PISTON, .25MM OVERSIZE | | | |
| - 8 | 1012959 | A/R | PISTON, .50MM OVERSIZE | | | |
| - 9 | 1012516 | 1 | PISTON RING SET, STANDARD | | | |
| - 9 | 1012960 | A/R | PISTON RING SET, .25MM OVERSIZE | | | |
| - 9 | 1012961 | A/R | PISTON RING SET, .50MM OVERSIZE | | | |
| - 10 | 1012879 | 1 | PIN, PISTON | | | |
| - 11 | 1013989 | 1 | CRANK SHAFT ASSEMBLY INCLUDES ITEMS 4, 5 AND 17 | | | |
| - 12 | 1012877 | 2 | BEARING, BALL, 6203 | | | |
| - 13 | 1013964 | 1 | SHAFT COMPLETE | | | |
| - 14 | 1012884 | 1 | BEARING, BALL, 6202 | | | |
| - 15 | 1012886 | 1 | WASHER, 18MM | | | |
| - 16 | 1012885 | 1 | NUT, LEFT HAND, 18MM | | | |
| - 17 | 1013990 | 1 | GEAR, HELICAL | | | |
| - 18 | 1013965 | 1 | CAM SHAFT COMPLETE | | | |
| - 19 | 1012875 | A/R | SHIM, t = 1.05MM | | | |
| - 19 | 1012952 | A/R | SHIM, t = 1.40MM | | | |
| - 19 | 1012953 | A/R | SHIM, t = 1.70MM | | | |
| - 20 | 1012874 | 1 | BEARING, BALL, 6306 | | | |
| - 21 | 1012882 | 2 | BOLT, CONNECTING ROD | | | |
| - 22 | 1012881 | 1 | LOCKWASHER | | | |
| - 23 | 1012880 | 1 | ARM, SPLASH | | | |



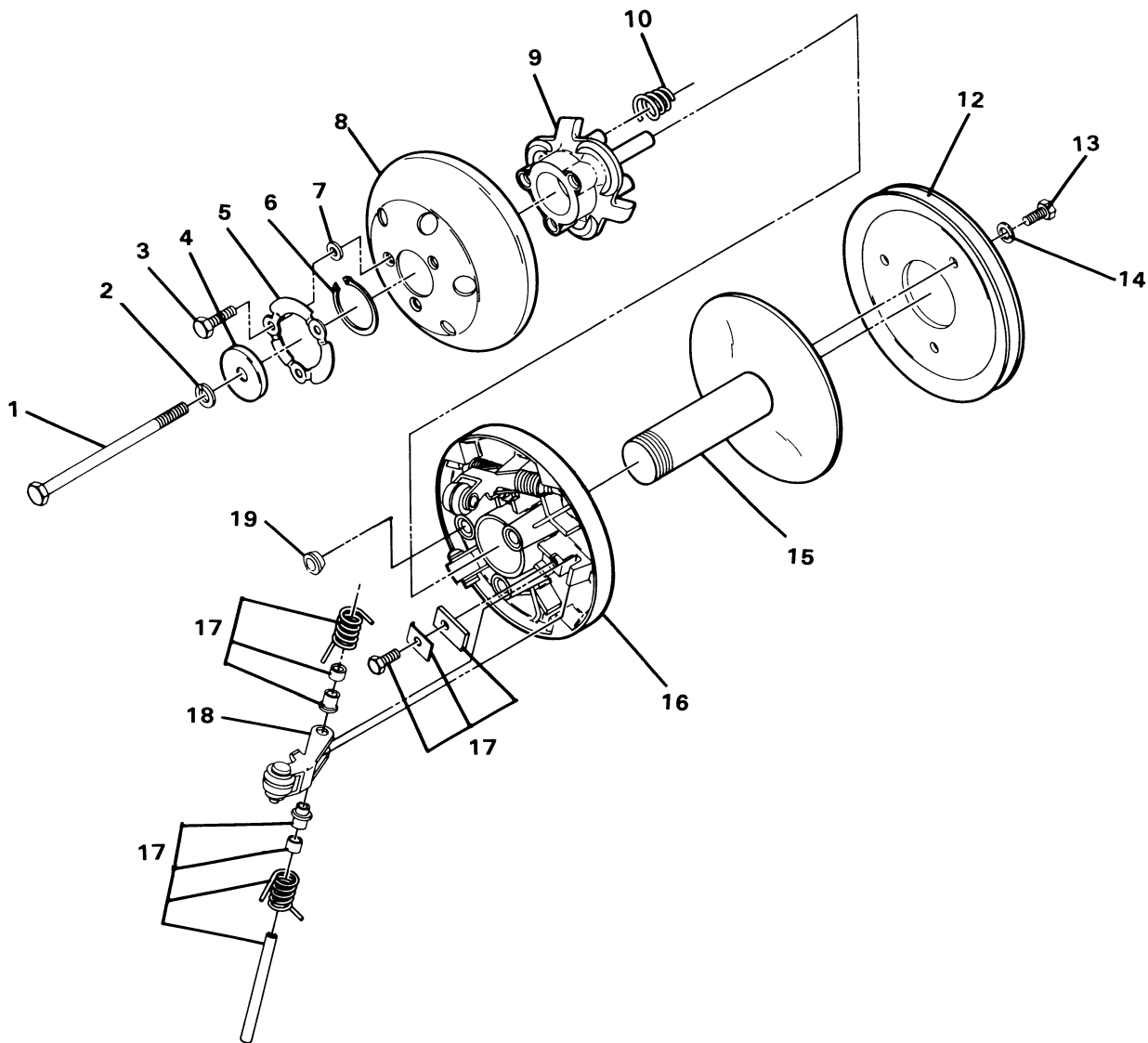


FIGURE 2-2. DRIVE CLUTCH. SEE LIST 2-2.

DRIVE CLUTCH

| FIGURE- ITEM NUMBER | PART NUMBER | UNITS PER ASM | DESCRIPTION | | | |
|---------------------------|----------------|---------------------|--|---|---|---|
| | | | 1 | 2 | 3 | 4 |
| 2 - | 1012287 | 1 | DRIVE CLUTCH FOR ILLUSTRATION, SEE FIGURE 2-2 | | | |
| - 1 | 1012441 | 1 | BOLT, HEX HEAD, 3/8-24 X 5-1/2 | | | |
| - 2 | 357 | 1 | LOCKWASHER, 3/8 | | | |
| - 3 | 7847 | 3 | BOLT, HEX HEAD, 1/4-20 X 3/4 | | | |
| - 4 | 1012814 | 1 | WASHER, RETAINING | | | |
| - 5 | 1012815 | 1 | RING, SCREW LOCK | | | |
| - 6 | 1012816 | 1 | RING, RETAINING | | | |
| - 7 | 332 | 3 | FLATWASHER, 1/4 | | | |
| - 8 | 1012818 | 1 | PLATE, RAMP | | | |
| - 9 | 1012819 | 1 | SPIDER | | | |
| - 10 | 1012820 | 3 | SPRING, CONICAL | | | |
| - 11 | 1012289 | 1 | DRIVE BELT (NOT SHOWN) | | | |
| - 12 | 1012824 | 1 | SHEAVE, V BELT | | | |
| - 13 | 1012825 | 3 | BOLT, HEX HEAD, 5/16-18 X 5/8 | | | |
| - 14 | 7174 | 3 | LOCKWASHER, 5/16 | | | |
| - 15 | 1012823 | 1 | FIXED FACE AND HUB ASSEMBLY | | | |
| - 16 | 1012826 | 1 | MOVABLE FACE ASSEMBLY | | | |
| - 17 | 1012829 | 1 | RELEASE SPRING KIT | | | |
| - 18 | 1012828 | 1 | ROLLER ARM ASSEMBLY KIT | | | |
| - 19 | 1012821 | 3 | SEAT, CONICAL SPRING | | | |
| - 20 | 1012338 | 1 | STARTER/GENERATOR BELT (NOT SHOWN) | | | |



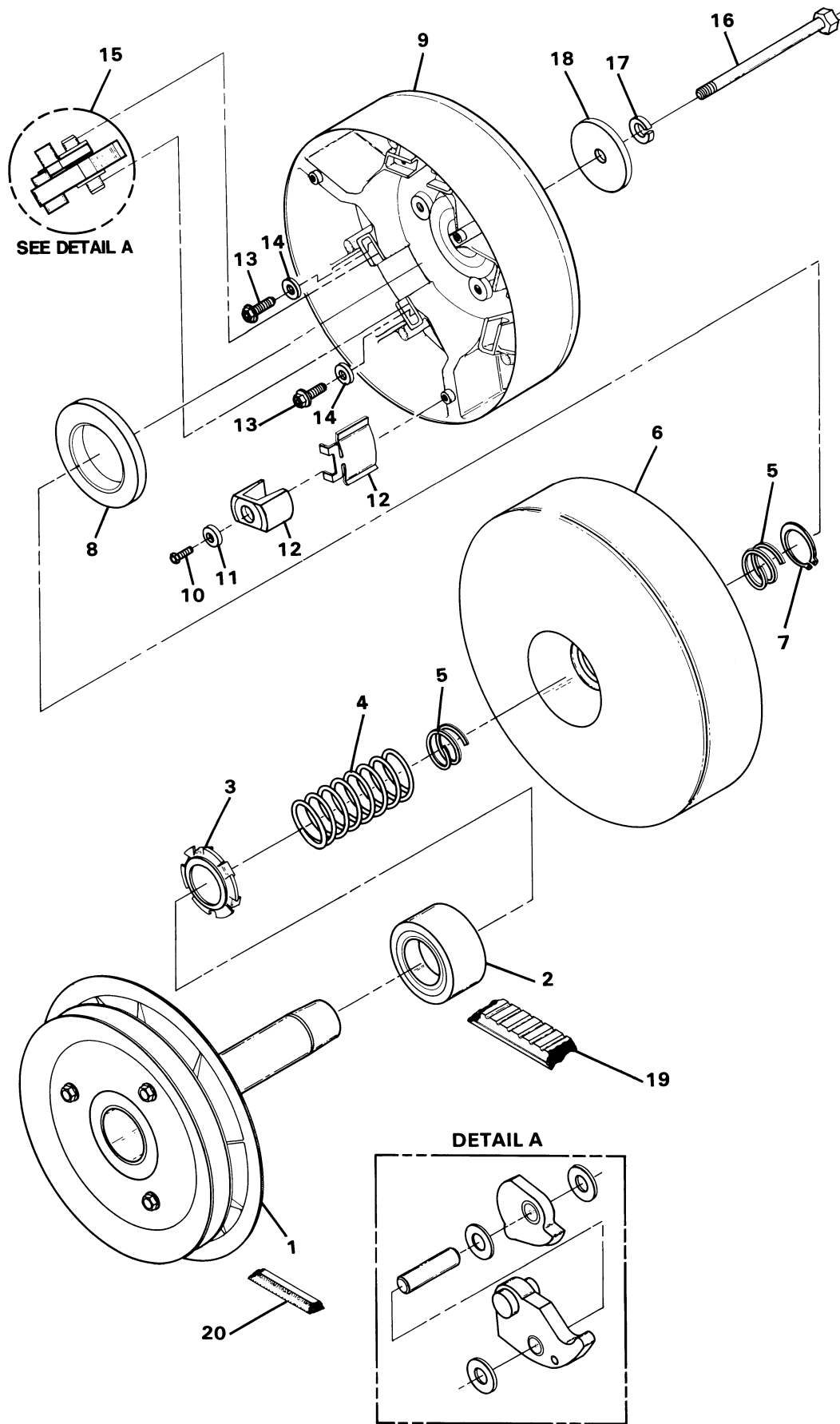


FIGURE 2-2A. DRIVE CLUTCH. SEE LIST 2-2A.

DRIVE CLUTCH

| FIGURE- ITEM NUMBER | PART NUMBER | UNITS PER ASM | DESCRIPTION | | | |
|---------------------------|----------------|---------------------|---|---|---|---|
| | | | 1 | 2 | 3 | 4 |
| 2A - | 1014449 | 1 | DRIVE CLUTCH FOR ILLUSTRATION, SEE FIGURE 2-2A | | | |
| - 1 | 1014451 | 1 | FIXED FACE — DRIVE | | | |
| - 2 | 1014049 | 1 | IDLER BEARING | | | |
| - 3 | 1014050 | 1 | SPRING RETAINER | | | |
| - 4 | 1014051 | 1 | SPRING — DRIVE CLUTCH | | | |
| - 5 | 1014056 | 2 | SPIRAL — BACK-UP RING | | | |
| - 6 | 1014052 | 1 | MOVABLE FACE | | | |
| - 7 | 1014057 | 1 | RETAINING RING | | | |
| - 8 | 1014058 | 1 | THRUST WASHER | | | |
| - 9 | 1014059 | 1 | DRIVE HUB | | | |
| - 10 | 8450 | 3 | #10-24 X 1/2" HEX HEAD SCREW | | | |
| - 11 | 183 | 3 | #10 FLATWASHER | | | |
| - 12 | 1014453 | 1 | DRIVE CLUTCH BUTTON KIT INCLUDES ITEMS 10 AND 11 | | | |
| - 13 | 1014063 | 6 | 1/4-20 HEX HEAD WASHER FACE SCREW | | | |
| - 14 | 1014785 | 6 | CLUTCH WASHER | | | |
| - 15 | 1014455 | 1 | DRIVE CLUTCH WEIGHT KIT INCLUDES ITEMS 13 AND 14 | | | |
| - 16 | 1012441 | 1 | 3/8-24 X 5-1/2" HEX BOLT | | | |
| - 17 | 357 | 1 | 3/8" LOCKWASHER | | | |
| - 18 | 808 | 1 | 3/8" TYPE B FLATWASHER | | | |
| - 19 | 1014081 | 1 | DRIVE BELT | | | |
| - 20 | 1014290 | 1 | STARTER/GENERATOR BELT | | | |



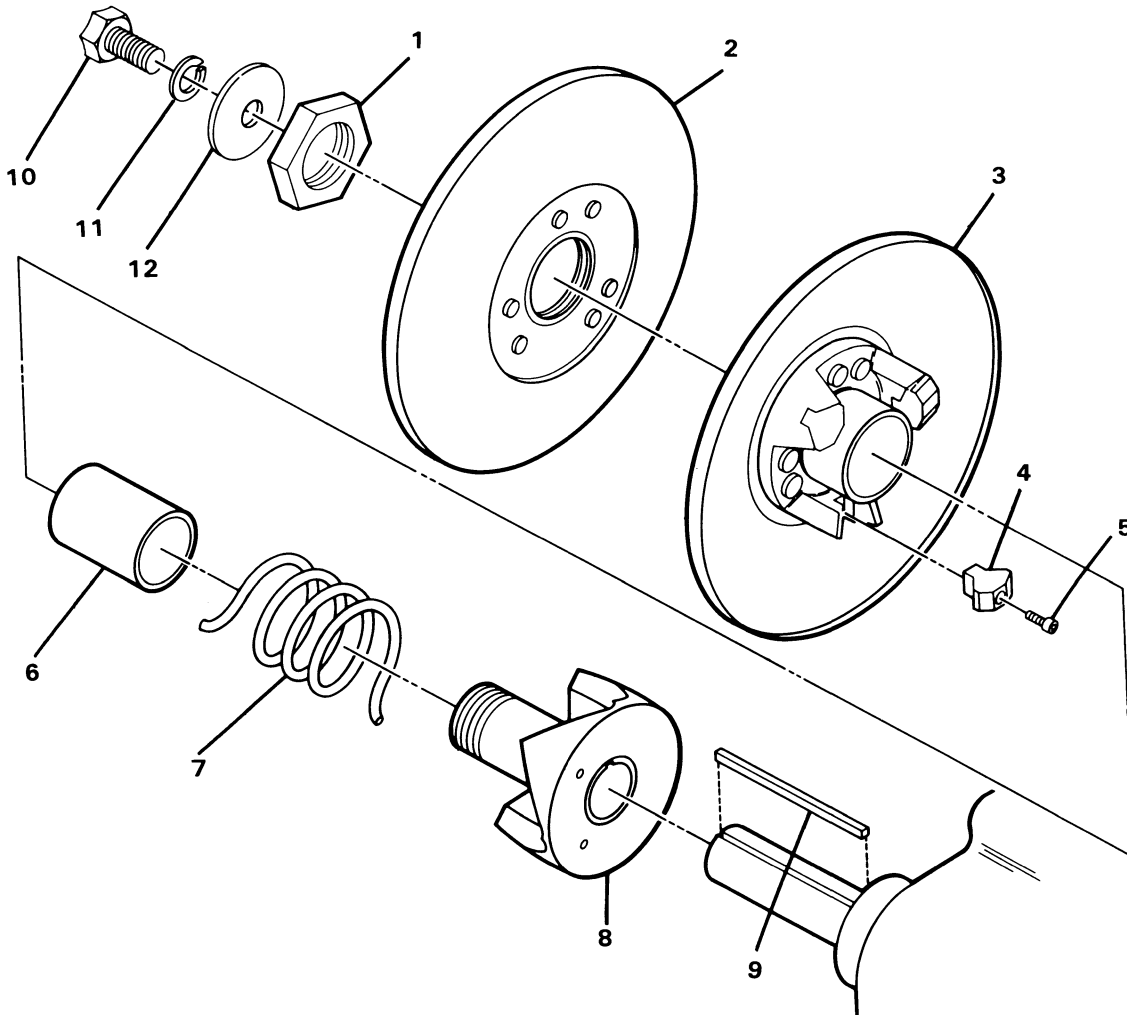


FIGURE 2-3. DRIVEN CLUTCH. SEE LIST 2-3.

| FIGURE-ITEM NUMBER | PART NUMBER | UNITS PER ASM | DESCRIPTION | | | |
|--------------------|-------------|---------------|--|---|---|---|
| | | | 1 | 2 | 3 | 4 |
| 3 - | 1012288 | 1 | DRIVEN CLUTCH FOR ILLUSTRATION, SEE FIGURE 2-3 | | | |
| - 1 | 1012831 | 1 | 1 1/4"-12 NUT, HEX - LEFT HAND THREADS | | | |
| - 2 | 1012832 | 1 | FIXED FACE ASSEMBLY | | | |
| - 3 | 1012833 | 1 | MOVABLE FACE ASSEMBLY INCLUDES ITEMS 4, 5 AND 6 | | | |
| - 4 | 1012982 | 1 | CAM BUTTON KIT INCLUDES ITEM 5 | | | |
| - 5 | 1012836 | 3 | SCREW, SOCKET HEAD CAP, #8-32 X 3/4 | | | |
| - 6 | 1012834 | 1 | BUSHING | | | |
| - 7 | 1012837 | 1 | SPRING | | | |
| - 8 | 1012838 | 1 | CAM AND HUB ASSEMBLY | | | |
| - 9 | 1012455 | 1 | KEY | | | |
| - 10 | 7173 | 1 | BOLT, HEX HEAD, 5/16-18 X 3/4 | | | |
| - 11 | 7174 | 1 | LOCKWASHER, 5/16 | | | |
| - 12 | 1012571 | 1 | FLATWASHER, HEAVY, 5/16 | | | |

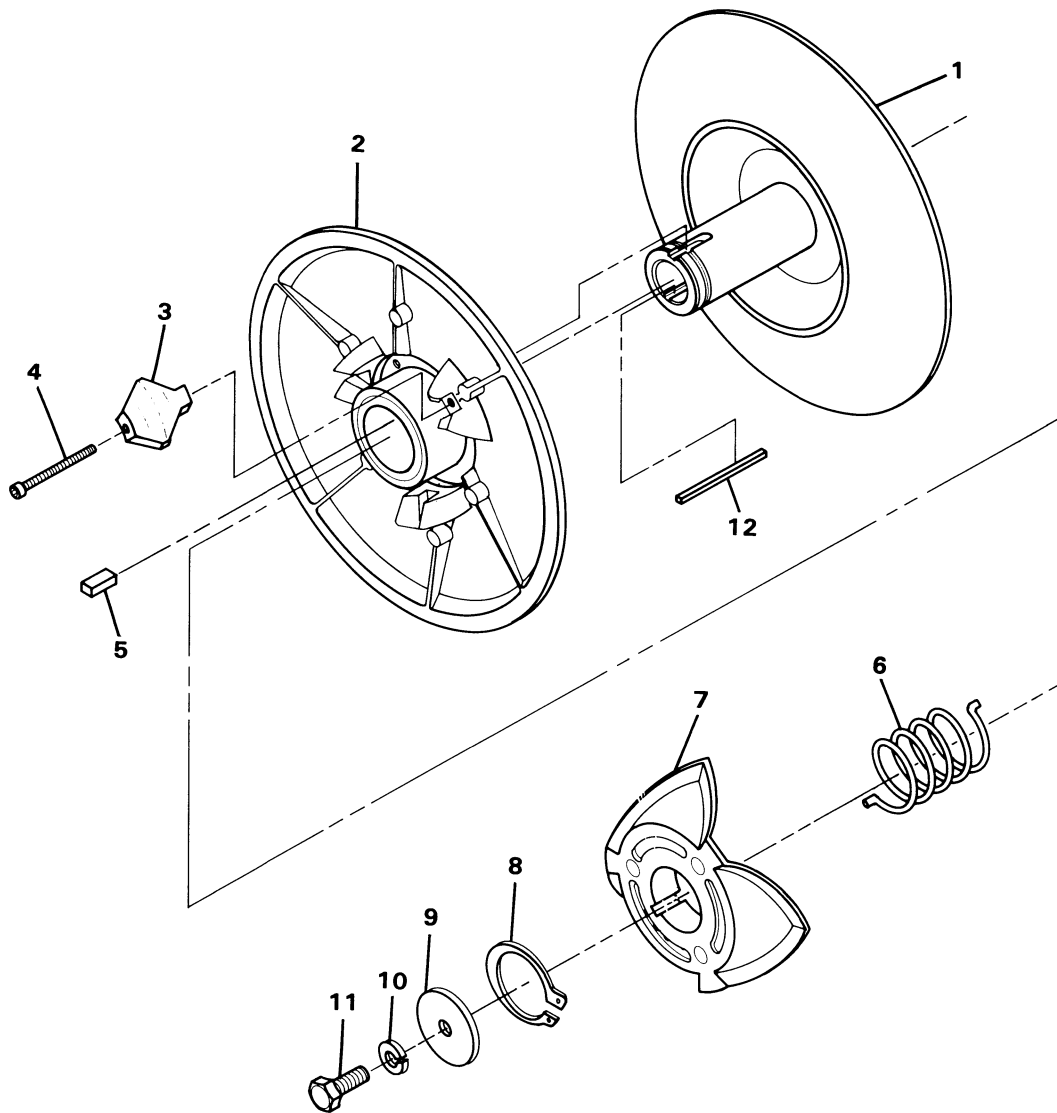


FIGURE 2-3A. DRIVEN CLUTCH. SEE LIST 2-3A.

| FIGURE- ITEM NUMBER | PART NUMBER | UNITS PER ASM | DESCRIPTION | | | |
|---------------------------|----------------|---------------------|-------------|---|---|--|
| | | | 1 | 2 | 3 | 4 |
| 3A - | 1014450 | 1 | | | | DRIVEN CLUTCH FOR ILLUSTRATION, SEE FIGURE 2-3A |
| - 1 | 1014458 | 1 | | | | FIXED FACE — DRIVEN |
| - 2 | 1014072 | 1 | | | | MOVABLE FACE |
| - 3 | 1014454 | 1 | | | | DRIVEN CLUTCH BUTTON KIT INCLUDES ITEM 4 |
| - 4 | 1012836 | 3 | | | | #8-32 X 3/4" SOCKET HEAD CAP SCREW |
| - 5 | 1014078 | 1 | | | | KEY — SHORT |
| - 6 | 1014079 | 1 | | | | SPRING |
| - 7 | 1014077 | 1 | | | | CAM |
| - 8 | 1014080 | 1 | | | | RETAINING RING |
| - 9 | 1012571 | 1 | | | | 5/16" HEAVY FLATWASHER |
| - 10 | 7174 | 1 | | | | 5/16" LOCKWASHER |
| - 11 | 7173 | 1 | | | | 5/16-18 X 3/4" HEX HEAD BOLT |
| - 12 | 1012455 | 1 | | | | SHAFT KEY |



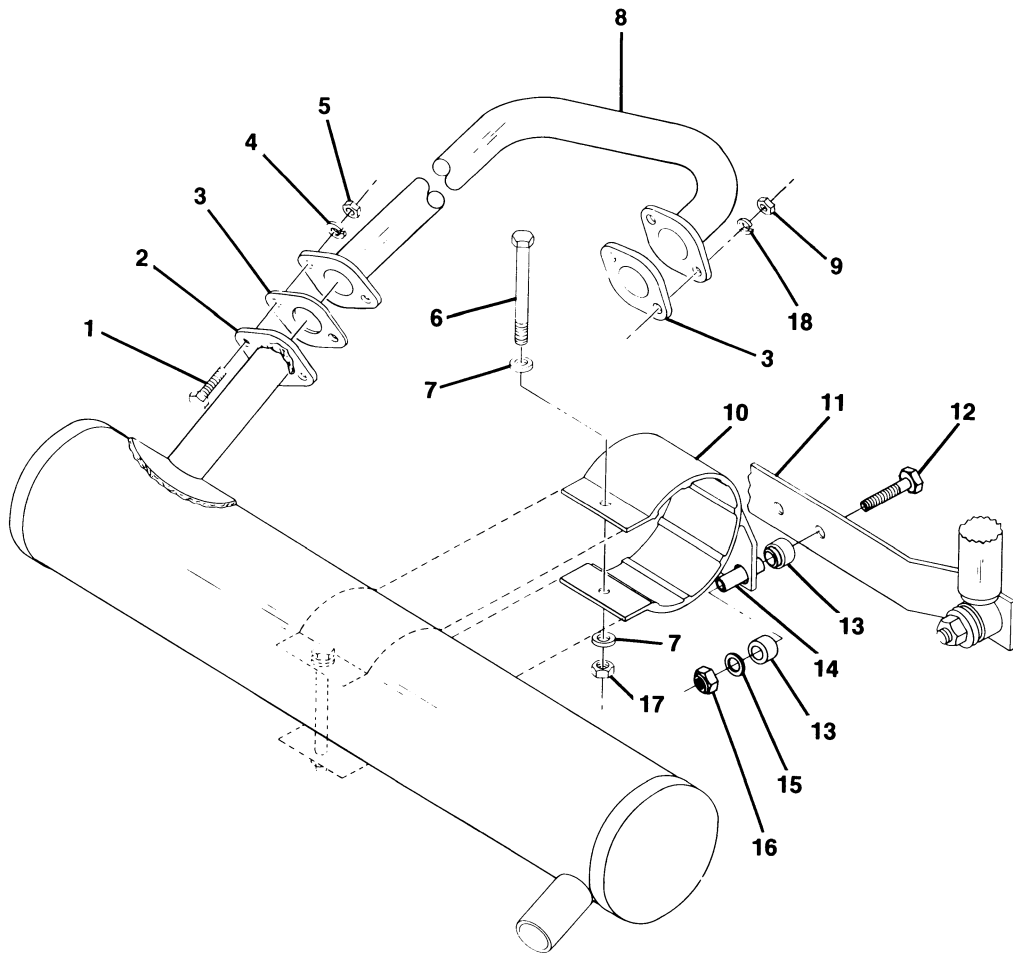


FIGURE 2-4. MUFFLER ASSEMBLY. SEE LIST 2-4.

| FIGURE- ITEM NUMBER | PART NUMBER | UNITS PER ASM | DESCRIPTION | | | |
|---------------------------|----------------|---------------------|--|---|---|---|
| | | | 1 | 2 | 3 | 4 |
| 4 - | NO # | REF | MUFFLER ASSEMBLY FOR ILLUSTRATION, SEE FIGURE 2-4 | | | |
| - 1 | 1010934 | 2 | BOLT, 5/16-18 HEX | | | |
| - 2 | 1013661 | 1 | MUFFLER | | | |
| - 3 | 1012510 | 2 | EXHAUST GASKET | | | |
| - 4 | 7174 | 2 | LOCKWASHER, 5/16 | | | |
| - 5 | 1242 | 2 | NUT, 5/16-18 HEX | | | |
| - 6 | 1012462 | 1 | BOLT, 1/4-20 HEX | | | |
| - 7 | 332 | 2 | FLATWASHER, 1/4 | | | |
| - 8 | 1012314 | 1 | EXHAUST HEADER | | | |
| - 9 | 1012528 | 2 | NUT, 8MM HEX | | | |
| - 10 | 1014562 | 1 | MUFFLER CLAMP | | | |
| - 11 | 1012460 | 1 | MUFFLER MOUNTING BAR | | | |
| - 12 | 1010177 | 2 | BOLT, 3/8-16 X 2" HEX | | | |
| - 13 | 1012290 | 4 | BUSHING, RUBBER | | | |
| - 14 | 1012291 | 2 | BUSHING, STEEL | | | |
| - 15 | 808 | 2 | FLATWASHER, 3/8" | | | |
| - 16 | 8754 | 2 | NUT, NYLON LOCK 3/8-16 | | | |
| - 17 | 1108 | 1 | DIMPLED LOCKNUT, 1/4-20 | | | |
| - 18 | 1013734 | 2 | LOCKWASHER, 8MM | | | |

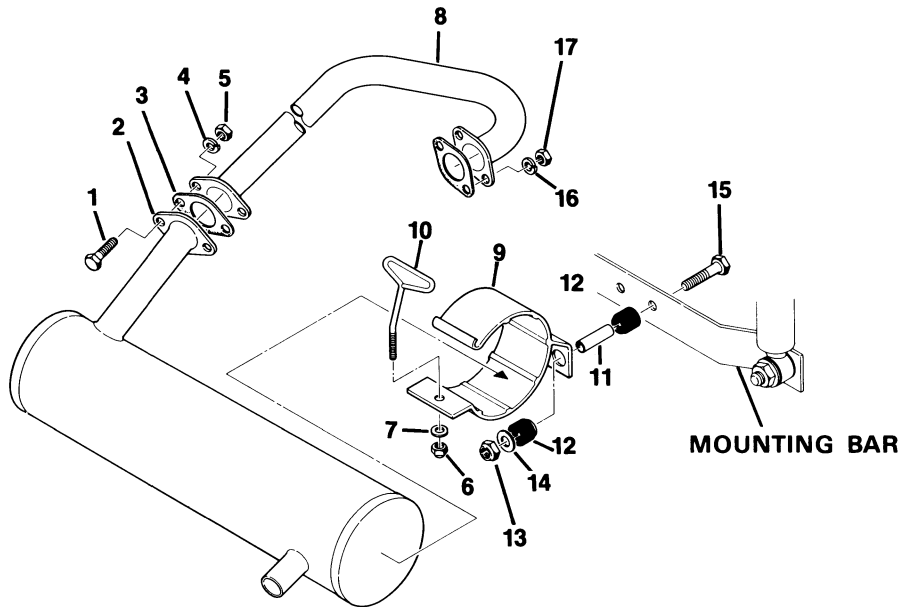


FIGURE 2-4A. MUFFLER ASSEMBLY. SEE LIST 2-4A.

| FIGURE- ITEM NUMBER | PART NUMBER | UNITS PER ASM | DESCRIPTION | | | |
|---------------------------|----------------|---------------------|---|---|---|---|
| | | | 1 | 2 | 3 | 4 |
| 4A - | NO # | 1 | MUFFLER ASSEMBLY FOR ILLUSTRATION, SEE FIGURE 2-4A | | | |
| - 1 | 1010934 | 2 | BOLT, 5/16-18 HEX | | | |
| - 2 | 1013661 | 1 | MUFFLER | | | |
| - 3 | 1012510 | 2 | EXHAUST GASKET | | | |
| - 4 | 7174 | 2 | LOCKWASHER, 5/16 | | | |
| - 5 | 1242 | 2 | NUT, 5/16-18 HEX | | | |
| - 6 | 8233 | 1 | 1/4-20 NYLON LOCK NUT | | | |
| - 7 | 332 | 1 | FLATWASHER, 1/4 | | | |
| - 8 | 1012314 | 1 | EXHAUST HEADER | | | |
| - 9 | 1014744 | 1 | CLAMP, MUFFLER | | | |
| - 10 | 1014743 | 1 | "T" BOLT | | | |
| - 11 | 1012291 | 2 | BUSHING, STEEL | | | |
| - 12 | 1012290 | 2 | BUSHING, RUBBER | | | |
| - 13 | 8754 | 2 | NUT, NYLON LOCK 3/8-16 | | | |
| - 14 | 808 | 2 | 3/8" TYPE "B" FLATWASHER | | | |
| - 15 | 1010177 | 2 | 3/8-16 X 2 HEX BOLT | | | |
| - 16 | 1013734 | 2 | LOCKWASHER, 8MM | | | |
| - 17 | 1012528 | 2 | NUT, 8MM HEX | | | |



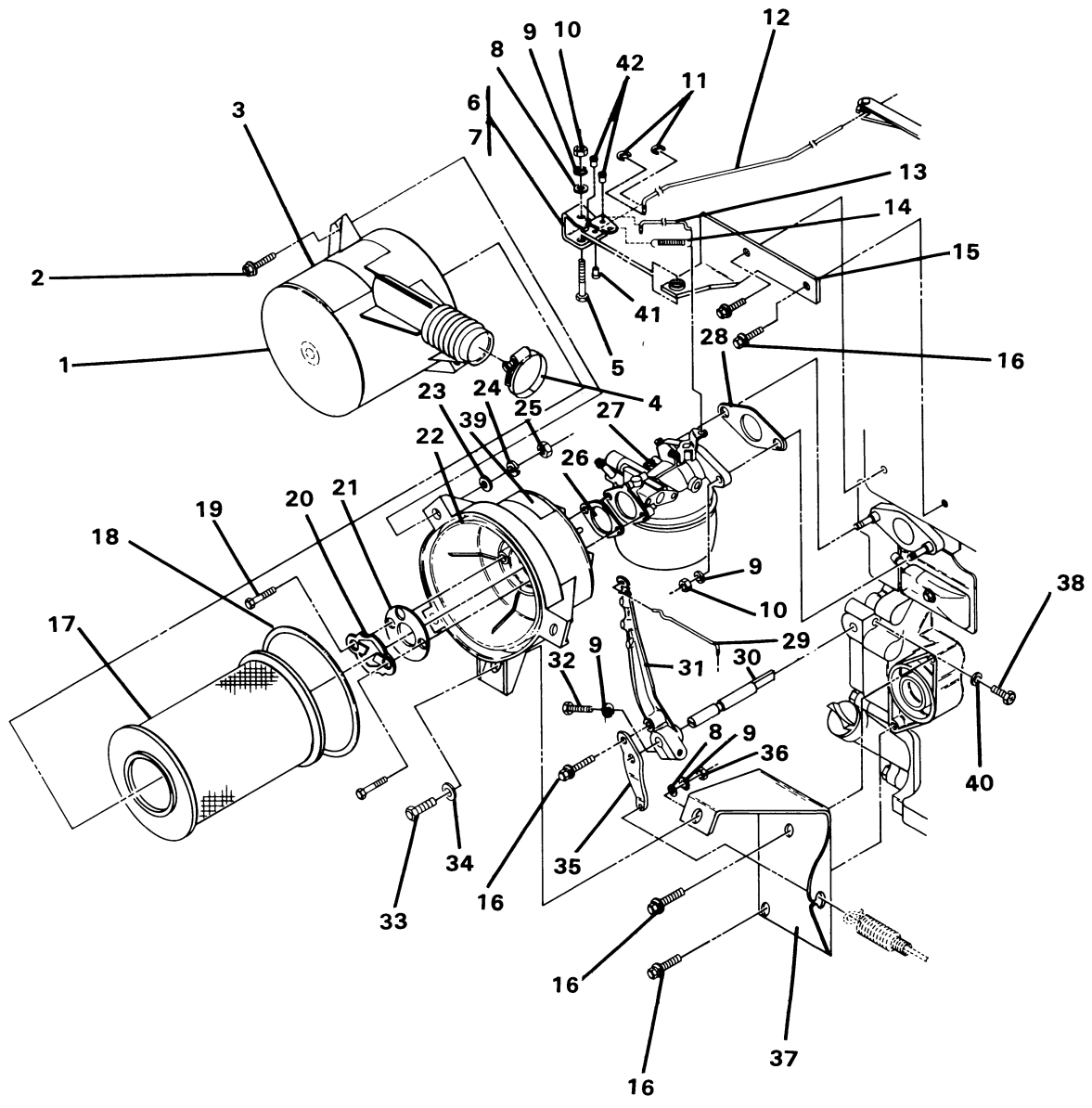


FIGURE 2-5. AIR CLEANER W/CARBURETOR AND LINKAGE. SEE LIST 2-5.



AIR CLEANER WITH CARBURETOR AND LINKAGE

| FIGURE- ITEM NUMBER | PART NUMBER | UNITS PER ASM | DESCRIPTION | | | |
|---------------------------|----------------|---------------------|---|---|---|---|
| | | | 1 | 2 | 3 | 4 |
| 5 - | NO # | | AIR CLEANER WITH CARBURETOR AND LINKAGE | | | |
| | | | FOR ILLUSTRATION, SEE FIGURE 2-5 | | | |
| - 1 | 1013388 | 1 | AIR FILTER INLET COVER | | | |
| | | | INCLUDES ITEM 3 | | | |
| - 2 | 1012126 | 3 | #10-32 X 5/8" SCREW | | | |
| - 3 | 1013393 | 1 | GOVERNOR WARNING DECAL | | | |
| - 4 | 1012348 | 1 | HOSE CLAMP, 2" | | | |
| - 5 | 1012933 | 1 | BOLT, 6MM | | | |
| - 6 | 1012910 | 1 | LEVER ASSEMBLY | | | |
| | | | INCLUDES ITEMS 6, 7, 8, 9, 10 AND 15 | | | |
| - 7 | 1012930 | 1 | LEVER, THROTTLE PLATE PIVOT | | | |
| | | | INCLUDES ITEMS 41 AND 42 | | | |
| - 8 | 332 | 1 | FLATWASHER, 1/4" | | | |
| - 9 | 451 | 5 | LOCKWASHER, 1/4" | | | |
| - 10 | 1012919 | 3 | NUT, 6MM | | | |
| - 11 | 1013064 | 2 | E-RING | | | |
| - 12 | 1012526 | 1 | GOVERNOR ROD | | | |
| - 13 | 1015531 | 1 | GOVERNOR LINKAGE | | | |
| - 14 | 1012912 | 1 | SPRING | | | |
| - 15 | 1012932 | 1 | BRACKET, THROTTLE PLATE MOUNTING | | | |
| - 16 | 1012909 | 5 | BOLT, 6MM X 14MM HEX | | | |
| - 17 | 1013379 | 1 | AIR FILTER ELEMENT | | | |
| - 18 | 1013380 | 1 | O-RING GASKET | | | |
| - 19 | 1012769 | 2 | BOLT, 6MM X 14MM HEX | | | |
| - 20 | 1013333 | 1 | LOCKING PLATE | | | |
| - 21 | 1013332 | 1 | SUPPORT WASHER | | | |
| - 22 | 1013387 | 1 | AIR FILTER HOUSING BASE | | | |
| | | | INCLUDES ITEM 39 | | | |
| - 23 | 183 | 3 | #10 FLATWASHER | | | |
| - 24 | 1016 | 3 | #10 LOCKWASHER | | | |
| - 25 | 7893 | 3 | #10-32 HEX NUT | | | |
| - 26 | 1012507 | 1 | AIR INTAKE GASKET | | | |
| - 27 | 1014541 | 1 | CARBURETOR ASSEMBLY | | | |
| | | | FOR DETAIL BREAKDOWN, SEE FIGURE 2-6. | | | |
| - 28 | 1012509 | 1 | CARBURETOR GASKET | | | |
| - 29 | 1012907 | 1 | GOVERNOR LINK | | | |
| - 30 | 1012922 | 1 | GOVERNOR SHAFT | | | |
| - 31 | 1012905 | 1 | GOVERNOR ARM (INSIDE) | | | |
| - 32 | 1012908 | 1 | BOLT, 6MM X 22MM HEX | | | |
| - 33 | 7847 | 1 | 1/4-20 X 3/4 HEX BOLT | | | |
| - 34 | 1011697 | 1 | 5/16" FLATWASHER | | | |
| - 35 | 1012906 | 1 | GOVERNOR ARM (OUTSIDE) | | | |
| - 36 | 1028 | 1 | 1/4-20 HEX NUT | | | |
| - 37 | 1013334 | 1 | AIR FILTER & ACCELERATOR BRACKET | | | |
| - 38 | 1012900 | 1 | BOLT-GOVERNOR SHAFT | | | |
| - 39 | 1012533 | 1 | SERVICE DECAL | | | |
| - 40 | 1012901 | 1 | GASKET, GOVERNOR SHAFT BOLT | | | |
| - 41 | 1013991 | 1 | BUSHING | | | |
| - 42 | 1012931 | 2 | BUSHING | | | |



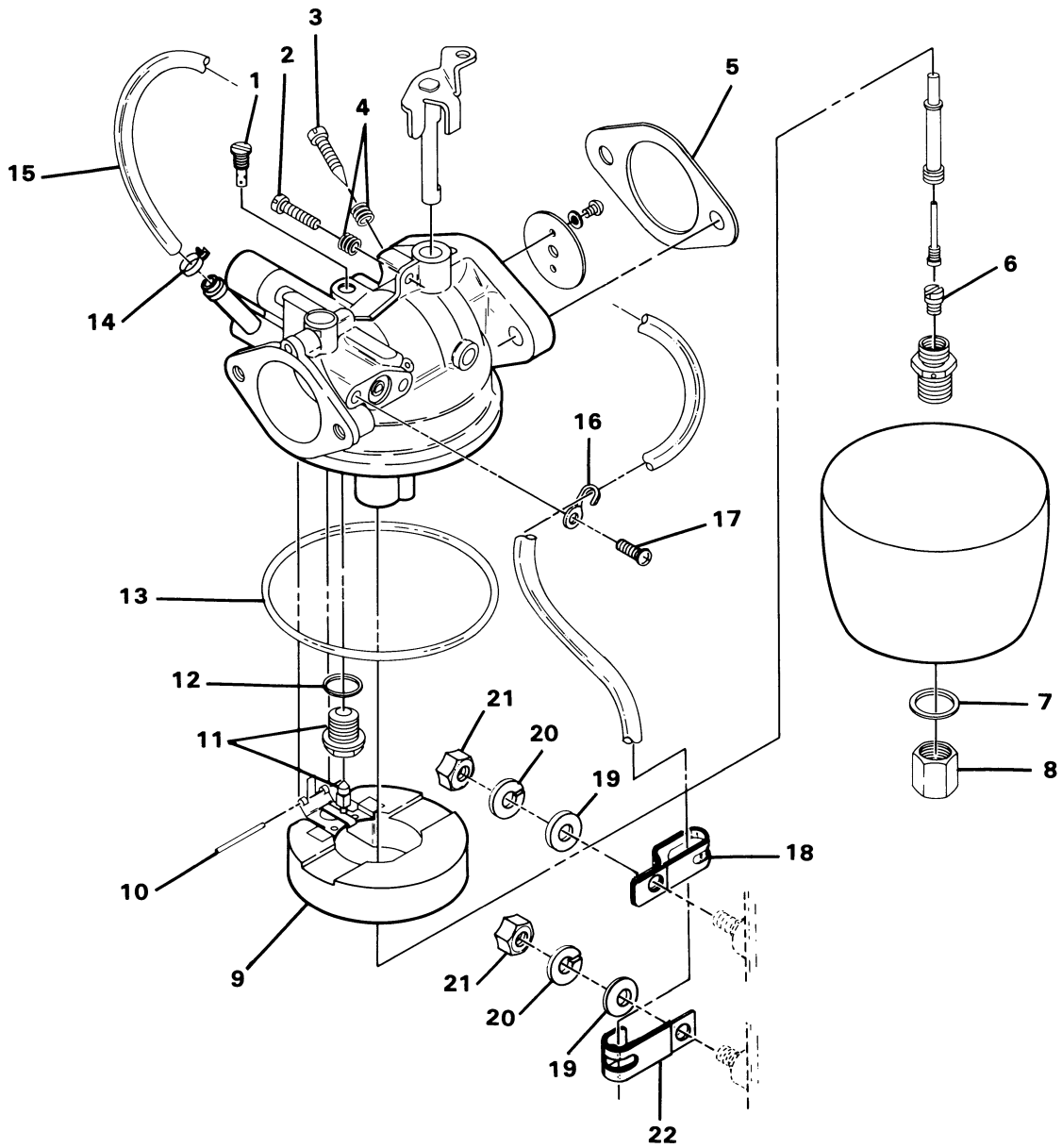


FIGURE 2-6. CARBURETOR ASSEMBLY. SEE LIST 2-6.

CARBURETOR ASSEMBLY

| FIGURE- ITEM NUMBER | PART NUMBER | UNITS PER ASM | DESCRIPTION | | | |
|---------------------------|----------------|---------------------|--|---|---|---|
| | | | 1 | 2 | 3 | 4 |
| 6 - | | 1 | CARBURETOR ASSEMBLY FOR ILLUSTRATION SEE FIGURE 2-6. | | | |
| - | 1012974 | 1 | CARBURETOR REBUILD KIT INCLUDES ITEMS 1 THRU 8, 12 AND 13 | | | |
| - 1 | 1012786 | 1 | JET, PILOT | | | |
| - 2 | 1012787 | 1 | SCREW, IDLE STOP | | | |
| - 3 | 1012788 | 1 | SCREW, PILOT | | | |
| - 4 | 1012789 | 2 | SPRING | | | |
| - 5 | 1012509 | 1 | GASKET | | | |
| - 6 | 1012795 | A/R | JET, MAIN 92.5 | | | |
| - 6 | 1012962 | A/R | JET, MAIN 90.0 | | | |
| - 6 | 1012963 | A/R | JET, MAIN 87.5 | | | |
| - 6 | 1012964 | A/R | JET, MAIN 85.0 | | | |
| - 6 | 1013213 | A/R | JET, MAIN 82.5 | | | |
| - 6 | 1013359 | A/R | JET, MAIN 80.0 | | | |
| - 6 | 1013879 | A/R | JET, MAIN 77.5 | | | |
| - 7 | 1012796 | 1 | GASKET | | | |
| - 8 | 1012797 | 1 | NUT | | | |
| - 9 | 1012794 | 1 | FLOAT | | | |
| - 10 | 1012793 | 1 | PIN, FLOAT | | | |
| - 11 | 1012791 | 1 | NEEDLE VALVE ASSEMBLY | | | |
| - 12 | 1012792 | 1 | GASKET | | | |
| - 13 | 1012790 | 1 | GASKET | | | |
| - 14 | 1013746 | 1 | HOSE CLAMP, FLAT SPRING TYPE | | | |
| - 15 | 1013685 | 1 | HOSE, BLACK | | | |
| - 16 | 1013689 | 1 | HOSE CLAMP, CARBURETOR RETAINER | | | |
| - 17 | 1013690 | 1 | SCREW, SELF TAP 4MM X 6MM | | | |
| - 18 | 1013700 | 1 | CLAMP, HOSE RETAINER — LARGE | | | |
| - 19 | 1241 | 2 | 5/16 FLATWASHER | | | |
| - 20 | 7174 | 2 | 5/16 LOCKWASHER | | | |
| - 21 | 1012528 | 2 | 8MM NUT | | | |
| - 22 | 1013701 | 1 | CLAMP, HOSE RETAINER - SMALL | | | |

SEE MAINTENANCE AND
SERVICE MANUAL FOR
PROPER JET SELECTION



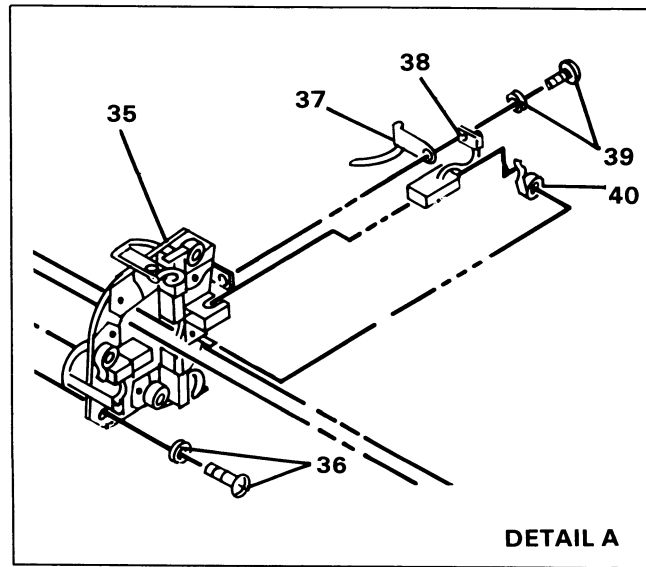
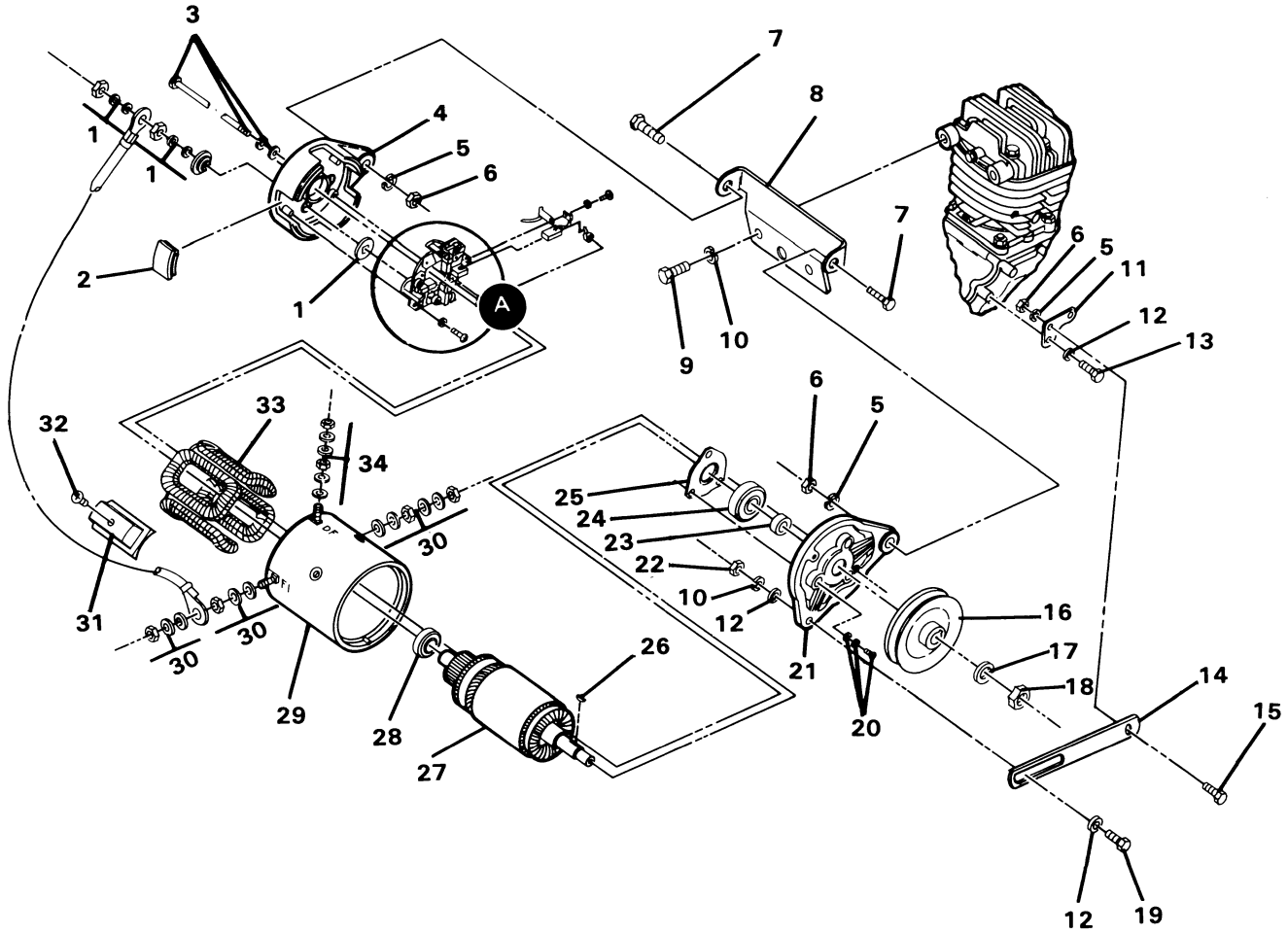


FIGURE 2-7. GENERATOR/STARTER. SEE LIST 2-7.

GENERATOR/STARTER

| FIGURE- ITEM NUMBER | PART NUMBER | UNITS PER ASM | DESCRIPTION | | | |
|---------------------------|----------------|---------------------|--|---|---|---|
| | | | 1 | 2 | 3 | 4 |
| 7 - | 1012316 | 1 | GENERATOR/STARTER (COMPLETE) FOR ILLUSTRATION, SEE FIGURE 2-7 | | | |
| - 1 | 1012990 | 2 | TERMINAL HARDWARE KIT (A1 AND A2) | | | |
| - 2 | 1012991 | 4 | BRUSH INSPECTION PORT COVER | | | |
| - 3 | 1012992 | 2 | BOLT, 6 X 180 CLAMP | | | |
| - 4 | 1012993 | 1 | COMMUTATOR END BELL | | | |
| - 5 | 357 | 3 | LOCKWASHER, 3/8 | | | |
| - 6 | 706 | 3 | NUT, 3/8-16 HEX | | | |
| - 7 | 705 | 9 | CAP SCREW, 3/8-16 X 1-1/4" HEX HEAD | | | |
| - 8 | 1014203 | 1 | STARTER/GENERATOR MOUNTING BRACKET | | | |
| - 9 | 1012442 | 2 | CAP SCREW, 8 X 18 HEX HEAD | | | |
| - 10 | 7174 | 2 | LOCKWASHER, 5/16 | | | |
| - 11 | 1012928 | 1 | STARTER/GENERATOR MOUNTING BRACKET (LOWER) | | | |
| - 12 | 1241 | 3 | FLATWASHER, 5/16 | | | |
| - 13 | 1012929 | 2 | BOLT, 8 X 43 HEX HEAD | | | |
| - 14 | 1012335 | 1 | STARTER/GENERATOR ADJUSTING BRACKET | | | |
| - 15 | 1012463 | 1 | BOLT, 3/8-16 X 7/8 HEX HEAD | | | |
| - 16 | 1012341 | 1 | PULLEY-STARTER/GENERATOR (GOLD COLOR) FOR CARS WITH SERIAL NO. AG8801-135720 AND EARLIER) | | | |
| - 16A | 1014289 | 1 | PULLEY-STARTER/GENERATOR (SILVER COLOR) FOR CARS WITH SERIAL NO. AG8801-135721 AND LATER) | | | |
| - 17 | NO # | 1 | LOCKWASHER, M14, SEE ITEM 41 | | | |
| - 18 | NO # | 1 | NUT, M14 X 1.5 HEX, SEE ITEM 41 | | | |
| - 19 | 1015932 | 1 | ROUND HEAD SQUARE NECK BOLT | | | |
| - 20 | NO # | 3 | SCREW, M5 X 18 (CROSS-RECESSED), SEE ITEM 41 | | | |
| - 21 | 1012999 | 1 | END BELL-OUTPUT SHAFT | | | |
| - 22 | 1242 | 1 | NUT, 5/16-18 HEX | | | |
| - 23 | 1013000 | 1 | SPACER | | | |
| - 24 | 1013001 | 1 | BALL BEARING DOUBLE SEAL | | | |
| - 25 | 1013002 | 1 | BEARING RETAINER | | | |
| - 26 | 1013003 | 1 | KEY | | | |
| - 27 | 1013004 | 1 | ARMATURE ASSEMBLY INCLUDES ITEMS 23, 24, 25, AND 28 | | | |
| - 28 | 1013005 | 1 | BALL BEARING DOUBLE SEAL | | | |
| - 29 | 1013006 | 1 | FRAME ASSEMBLY INCLUDES ITEMS 30 THRU 34 | | | |
| - 30 | 1013007 | 2 | TERMINAL HARDWARE KIT (F1 AND F2) | | | |
| - 31 | NO # | 4 | POLE PIECE | | | |
| - 32 | 1013009 | 4 | SCREW, POLE PIECE | | | |
| - 33 | 1013010 | 1 | FIELD COIL ASSEMBLY | | | |
| - 34 | 1013017 | 1 | TERMINAL HARDWARE KIT (DF) | | | |
| - 35 | 1013011 | 1 | BRUSH HOLDER | | | |
| - 36 | NO # | 2 | SCREW, M5 X 16, SEE ITEM 41 | | | |
| - 37 | 1013013 | 2 | CROSSOVER LEAD | | | |
| - 38 | 1014699 | 1 | BRUSH PACKAGE | | | |
| - 39 | 1013014 | 4 | SCREW, M4 X 10, SEE ITEM 41 | | | |
| - 40 | 1013016 | 4 | BRUSH SPRING | | | |
| - 41 | 1013018 | 1 | PULLEY NUT AND SCREW KIT INCLUDES ITEMS 17, 18, 20, 36 AND 39 | | | |



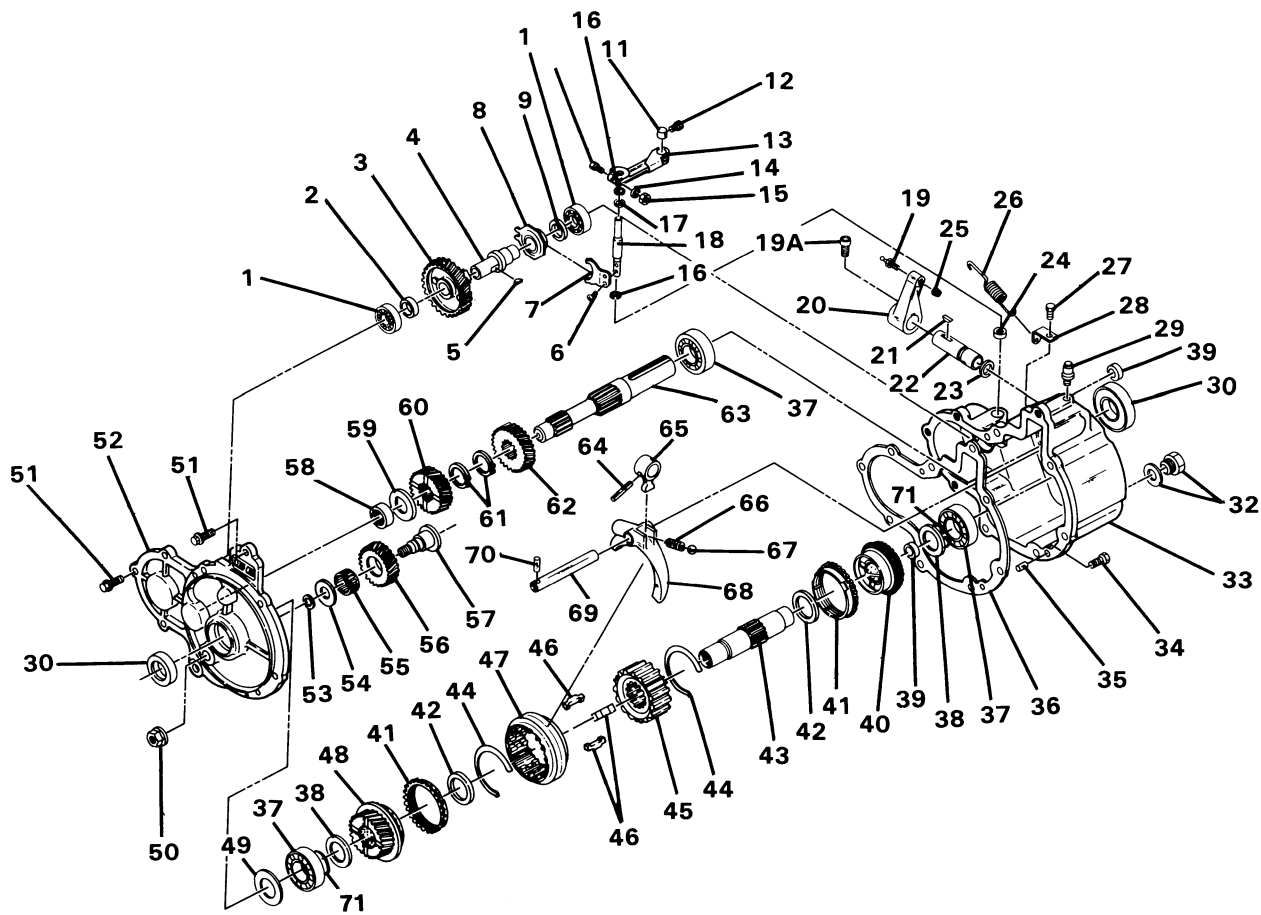


FIGURE 2-8. TRANSMISSION ASSEMBLY. SEE LIST 2-8.

| FIGURE- ITEM NUMBER | PART NUMBER | UNITS PER ASM | DESCRIPTION | | | |
|---------------------------|----------------|---------------------|---|---|---|---|
| | | | 1 | 2 | 3 | 4 |
| 8 - | 1013624 | 1 | TRANSMISSION ASSEMBLY FOR ILLUSTRATION, SEE FIGURE 2-8 | | | |
| - 1 | 1012761 | 2 | BALL BEARING | | | |
| - 2 | 1012759 | 1 | SPACER-THICK | | | |
| - 3 | 1012755 | 1 | GOVERNOR GEAR, 41 TOOTH | | | |
| - 4 | 1012756 | 1 | GOVERNOR SHAFT | | | |
| - 5 | 1012760 | 1 | GOVERNOR SHAFT KEY | | | |
| - 6 | 1012764 | 2 | SCREW, M4 X 0.7 X 6MM | | | |
| - 7 | 1012763 | 1 | GOVERNOR ARM, INTERNAL | | | |
| - 8 | 1012757 | 1 | GOVERNOR SLEEVE | | | |
| - 9 | 1012758 | 1 | SPACER-THIN | | | |
| - 10 | 1012769 | 1 | BOLT, M6 X 1 X 25MM HEX | | | |
| - 11 | 1012772 | 1 | GOVERNOR ARM PIVOT | | | |
| - 12 | 1012773 | 1 | BOLT, M5 X 0.8 X 10MM HEX | | | |
| - 13 | 1012768 | 1 | GOVERNOR ARM, EXTERNAL | | | |
| - 14 | 332 | 1 | WASHER, FLAT | | | |
| - 15 | 1012919 | 1 | NUT, M6 X 1 | | | |
| - 16 | 1012766 | 2 | SNAP RING | | | |
| - 17 | 1012765 | 1 | WASHER | | | |
| - 18 | 1012762 | 1 | GOVERNOR ARM SHAFT | | | |
| - 19 | 1010954 | 1 | BALL STUD | | | |

TRANSMISSION ASSEMBLY CONTINUED

| FIGURE- ITEM NUMBER | PART NUMBER | UNITS PER ASM | DESCRIPTION | | | |
|---------------------------|----------------|---------------------|-------------|---|---|--------------------------------------|
| | | | 1 | 2 | 3 | 4 |
| - 19A | 1012602 | 1 | | | | CAP SCREW, SOCKET HEAD, 10-24 X 3/8" |
| - 20 | 1012414 | 1 | | | | TRANSMISSION SHIFTER ARM, OUTSIDE |
| - 21 | 1012753 | 1 | | | | SHIFTER SHAFT KEY |
| - 22 | 1012751 | 1 | | | | SHIFTER SHAFT |
| - 23 | 1012754 | 1 | | | | O-RING |
| - 24 | 1012767 | 1 | | | | OIL SEAL |
| - 25 | 8717 | 1 | | | | LOCKNUT, 1/4-28 NYLON |
| - 26 | 1012776 | 1 | | | | GOVERNOR SPRING |
| - 27 | 1012775 | 1 | | | | BOLT, M6 X 1 X 10MM HEX |
| - 28 | 1012774 | 1 | | | | SPRING BRACKET |
| - 29 | 1012711 | 1 | | | | BREATHER |
| - 30 | 1012714 | 2 | | | | OIL SEAL |
| - 32 | 1013759 | 1 | | | | DRAIN PLUG WITH GASKET |
| - 33 | 1013960 | 1 | | | | GEAR CASE |
| - 34 | 1012719 | 1 | | | | BOLT, M6 X 1 X 14MM HEX |
| - 35 | 1012710 | 2 | | | | DOWEL PIN |
| - 36 | 1012717 | 1 | | | | CASE GASKET |
| - 37 | 7336 | 3 | | | | BALL BEARING |
| - 38 | 1012744 | 2 | | | | THRUST WASHER |
| - 39 | 1012735 | 2 | | | | PLUG |
| - 40 | 1012736 | 1 | | | | GEAR ASSEMBLY, 36 TOOTH |
| - 41 | 1012742 | 2 | | | | SYNCHRONIZER RING |
| - 42 | 1012743 | 2 | | | | THRUST WASHER |
| - 43 | 1012734 | 1 | | | | OUTPUT SHAFT |
| - 44 | 1012741 | 2 | | | | SYNCHRO SPRING |
| - 45 | 1012738 | 1 | | | | CLUTCH HUB |
| - 46 | 1012740 | 3 | | | | SYNCHRO INSERT |
| - 47 | 1012739 | 1 | | | | SLEEVE |
| - 48 | 1012737 | 1 | | | | GEAR ASSEMBLY, 34 TOOTH |
| - 49 | 1012783 | A/R | | | | SHIM 0.2MM |
| - 49 | 1012784 | A/R | | | | SHIM 0.1MM |
| - 50 | 1012733 | 1 | | | | FLANGE NUT, M12 X 1.25 |
| - 51 | 1012718 | 4 | | | | BOLT, M6 X 1 X 20MM HEX |
| - 52 | 1012715 | 1 | | | | COVER |
| - 53 | 1012732 | 1 | | | | O-RING |
| - 54 | 1012730 | 1 | | | | THRUST WASHER |
| - 55 | 1012731 | 1 | | | | NEEDLE BEARING |
| - 56 | 1012729 | 1 | | | | REVERSE IDLER GEAR |
| - 57 | 1012728 | 1 | | | | IDLER SHAFT |
| - 58 | 1012716 | 1 | | | | NEEDLE BEARING |
| - 59 | 1012723 | A/R | | | | THRUST WASHER, 3.0MM |
| - 59 | 1012724 | A/R | | | | THRUST WASHER, 3.3MM WHITE |
| - 59 | 1012725 | A/R | | | | THRUST WASHER, 3.6MM YELLOW |
| - 60 | 1012722 | 1 | | | | GEAR, 25 TOOTH |
| - 61 | 1012727 | 2 | | | | SNAP RING |
| - 62 | 1012721 | 1 | | | | GEAR, 27 TOOTH |
| - 63 | 1012720 | 1 | | | | INPUT SHAFT |
| - 64 | 1012752 | 1 | | | | ROLL PIN |
| - 65 | 1012750 | 1 | | | | SHIFTER ARM LEVER, INSIDE |
| - 66 | 1012748 | 1 | | | | SHIFTER SPRING |
| - 67 | 1012747 | 1 | | | | SHIFTER BALL |
| - 68 | 1012746 | 1 | | | | SLEEVE SHIFT ARM |
| - 69 | 1012745 | 1 | | | | SHIFT ROD |
| - 70 | 1012749 | 1 | | | | ROLL PIN |
| - 71 | 1016338 | 2 | | | | BELLEVILLE SPRING |



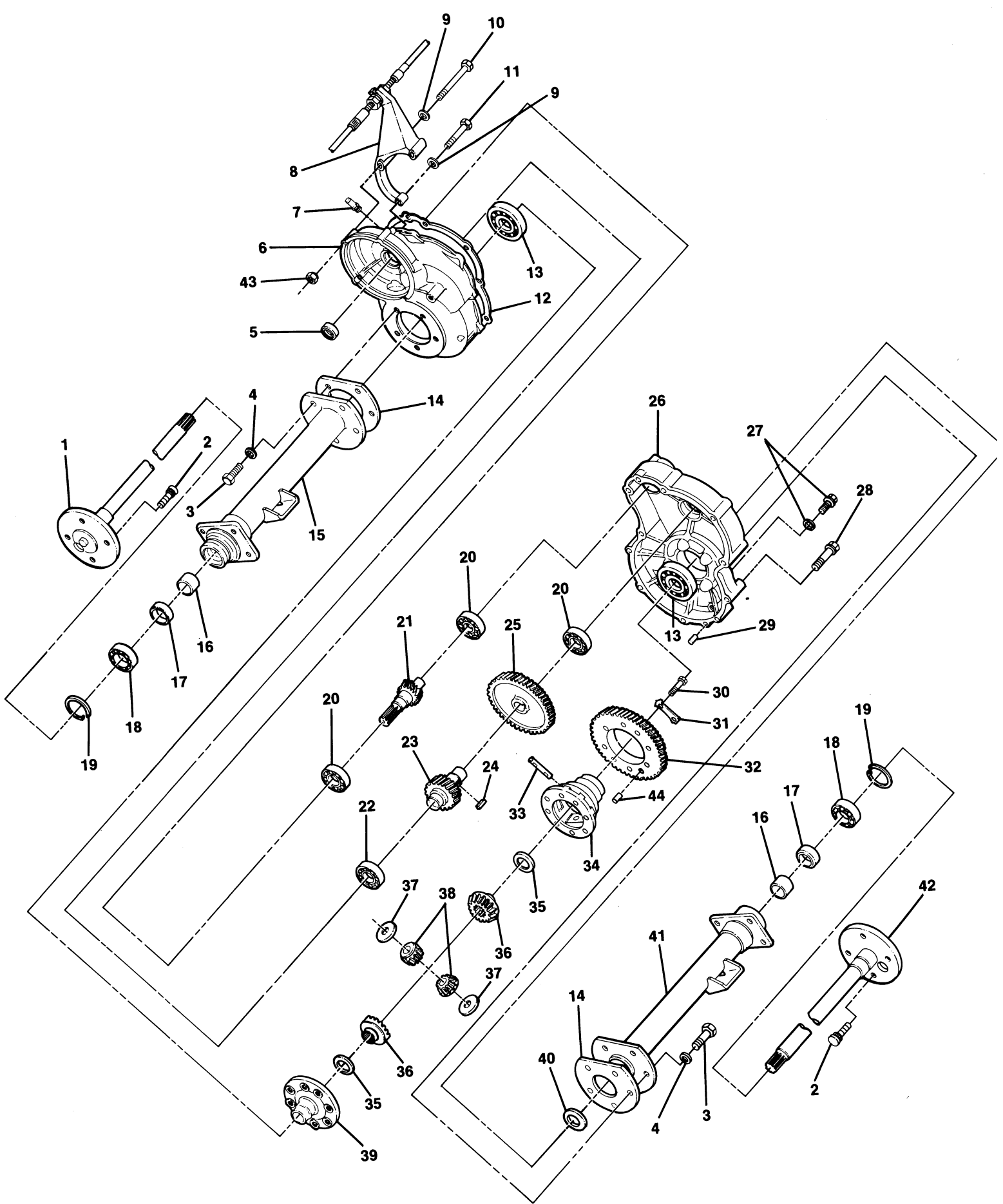


FIGURE 2-9. DRIVE UNIT. SEE LIST 2-9.

DRIVE UNIT

| FIGURE- ITEM NUMBER | PART NUMBER | UNITS PER ASM | DESCRIPTION | | | |
|---------------------------|----------------|---------------------|---|---|---|---|
| | | | 1 | 2 | 3 | 4 |
| 9 - | 1013664 | 1 | DRIVE UNIT INCLUDES ALL ITEMS EXCEPT 8, 9, 10, 11 AND 43 FOR ILLUSTRATION, SEE FIGURE 2-9 | | | |
| - 1 | 1013785 | 1 | AXLE ASSEMBLY, RIGHT INCLUDES ITEMS 2, 16, 18 AND 19 | | | |
| - 2 | 1013787 | 8 | LUG STUD | | | |
| - 3 | 1013790 | 10 | BOLT (10 X 30) | | | |
| - 4 | 1013791 | 10 | LOCKWASHER | | | |
| - 5 | 1013775 | 1 | INPUT SHAFT OIL SEAL | | | |
| - 6 | 1013756 | 1 | GEAR CASE — RIGHT HAND | | | |
| - 7 | 1012711 | 1 | BREATHER PLUG | | | |
| - 8 | 1013866 | 1 | SHIFT CABLE SUPPORT BRACKET KIT INCLUDES ITEMS 9, 10, 11 AND 43 | | | |
| - 9 | 332 | 6 | 1/4" FLATWASHER | | | |
| - 10 | 1013872 | 2 | 1/4-20 X 4" HEX BOLT | | | |
| - 11 | 1012462 | 1 | 1/4-20 X 3-1/2" HEX BOLT | | | |
| - 12 | 1013758 | 1 | GASKET | | | |
| - 13 | 7330 | 2 | INNER AXLE, TUBE BEARING | | | |
| - 14 | 1013789 | 2 | GASKET — AXLE TUBE | | | |
| - 15 | 1013783 | 1 | AXLE TUBE ASSEMBLY — RIGHT HAND (FOR DRIVE UNIT SERIAL NO. 6100217 AND EARLIER) | | | |
| - 15A | 1014209 | 1 | AXLE TUBE ASSEMBLY — RIGHT HAND (FOR DRIVE UNIT SERIAL NO. 6100218 AND LATER) | | | |
| - 16 | 1013788 | 2 | BUSHING (FOR DRIVE UNIT SERIAL NO. 6071277 AND EARLIER) | | | |
| - 16A | 1014207 | 1 | BUSHING WITH GROOVE IN END (FOR DRIVE UNIT SERIAL NO. 6071278 AND LATER) | | | |
| - 17 | 1013794 | 2 | AXLE SHAFT OIL SEAL | | | |
| - 18 | 1011291 | 2 | OUTER AXLE TUBE BEARING | | | |
| - 19 | 1013792 | 2 | CIRCLIP, TYPE-C | | | |
| - 20 | 7335 | 3 | INPUT GEAR BEARING | | | |
| - 21 | 1013764 | 1 | SHAFT, INPUT | | | |
| - 22 | 7336 | 1 | INTERMEDIATE GEAR BEARING | | | |
| - 23 | 1013766 | 1 | INTERMEDIATE GEAR — SMALL | | | |
| - 24 | 1013780 | 1 | KEY, SUNK | | | |
| - 25 | 1013765 | 1 | INTERMEDIATE GEAR — LARGE | | | |
| - 26 | 1013757 | 1 | GEAR CASE — LEFT HAND | | | |
| - 27 | 1013759 | 2 | FILL PLUG WITH GASKET | | | |
| - 28 | 1013763 | 10 | BOLT (6 X 50) | | | |
| - 29 | 1012710 | 2 | PIN, DOWEL | | | |
| - 30 | 1013779 | 8 | BOLT (8 X 37) | | | |
| - 31 | 1013782 | 4 | PLATE, LOCK | | | |
| - 32 | 1013767 | 1 | OUTPUT GEAR | | | |
| - 33 | 1013772 | 1 | DIFFERENTIAL PIN | | | |
| - 34 | 1013768 | 1 | DIFFERENTIAL GEAR CASE — LEFT HAND | | | |
| - 35 | 1013773 | 2 | PLATE, THRUST (DIFFERENTIAL GEAR) | | | |
| - 36 | 1013771 | 2 | DIFFERENTIAL GEAR | | | |
| - 37 | 1013774 | 2 | PLATE, THRUST (IDLER GEAR) | | | |
| - 38 | 1013770 | 2 | DIFFERENTIAL IDLER GEAR | | | |
| - 39 | 1013769 | 1 | DIFFERENTIAL GEAR CASE — RIGHT HAND | | | |
| - 40 | 1013781 | A/R | SHIM | | | |
| - 41 | 1013784 | 1 | AXLE TUBE ASSEMBLY — LEFT HAND (FOR DRIVE UNIT SERIAL NO. 6100217 AND EARLIER) | | | |
| - 41A | 1014210 | 1 | AXLE TUBE ASSEMBLY — LEFT HAND (FOR DRIVE UNIT SERIAL NO. 6100218 AND LATER) | | | |
| - 42 | 1013786 | 1 | AXLE ASSEMBLY, LEFT INCLUDES ITEMS 2, 16, 18 AND 19 | | | |
| - 43 | 8233 | 3 | 1/4-20 NYLON LOCKNUT | | | |
| - 44 | 1014193 | 1 | PIN, DOWEL | | | |



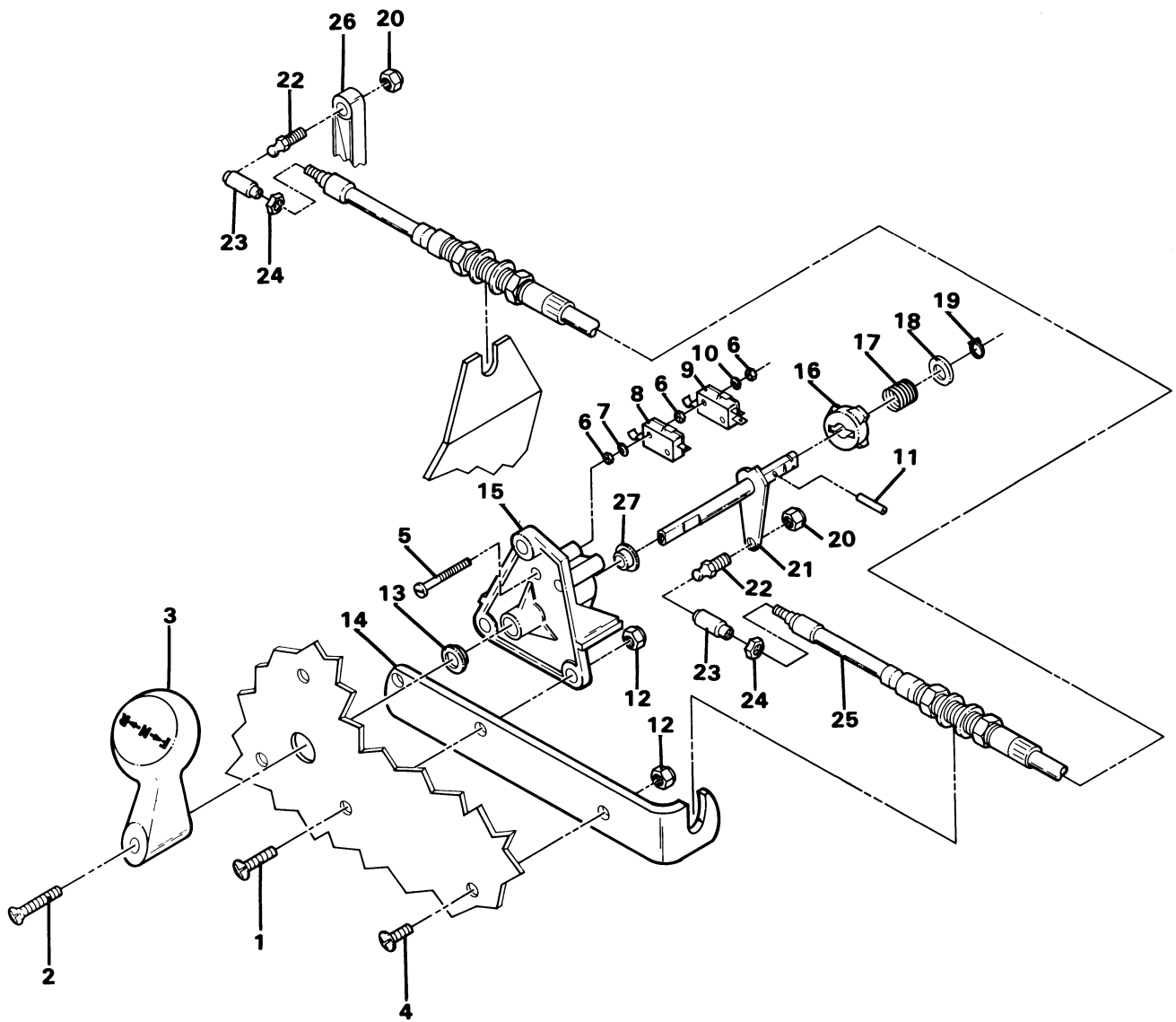


FIGURE 2-10. F&R SHIFTER ASSEMBLY. SEE LIST 2-10.

F&R SHIFTER ASSEMBLY

| FIGURE- ITEM NUMBER | PART NUMBER | UNITS PER ASM | DESCRIPTION | | | |
|---------------------------|----------------|---------------------|---|---|---|---|
| | | | 1 | 2 | 3 | 4 |
| 10 - | NO # | 1 | F&R SHIFTER ASSEMBLY FOR ILLUSTRATION, SEE FIGURE 2-10 | | | |
| - 1 | 8251 | 3 | SCREW, 1/4-20 X 1.00" PHILLIPS HEAD | | | |
| - 2 | 1013198 | 1 | #8-32 PHILLIPS MACHINE SCREW | | | |
| - 3 | 1012987 | 1 | F&R HANDLE | | | |
| - 4 | 8248 | 1 | SCREW, 1/4-20 X 3/4" PHILLIPS HEAD | | | |
| - 5 | 1012594 | 2 | SCREW, #4-40 X 1.00" MACHINE | | | |
| - 6 | 8057 | 6 | NUT, #4-40 UNC HEX | | | |
| - 7 | 1012431 | 2 | FLATWASHER, #4 | | | |
| - 8 | 1014808 | 1 | LIMIT SWITCH | | | |
| - 9 | 1014807 | 1 | LIMIT SWITCH | | | |
| - 10 | 8058 | 2 | LOCKWASHER, #4 | | | |
| - 11 | 1013591 | 1 | 1/8" ROLL PIN | | | |
| - 12 | 8233 | 4 | LOCKNUT, 1/4-20 NYLON | | | |
| - 13 | 1032 | 1 | NYLON BUSHING | | | |
| - 14 | 1012254 | 1 | CABLE SUPPORT BRACKET | | | |
| - 15 | 1013898 | 1 | F&R SHIFTER BASE | | | |
| - 16 | 1014089 | 1 | NEUTRAL LOCK-OUT CAM KIT INCLUDES ITEM 18 | | | |
| - 17 | 1013590 | 1 | SPRING — F&R CAM | | | |
| - 18 | 1014065 | 1 | FLATWASHER-DELRIN | | | |
| - 19 | 1013589 | 1 | RETAINING RING | | | |
| - 20 | 8717 | 2 | LOCKNUT, 1/4-28 NYLON | | | |
| - 21 | 1013587 | 1 | F&R BELL CRANK WELDMENT | | | |
| - 22 | 1010954 | 2 | BALL STUD, 1/4-28 UNF X .25 | | | |
| - 23 | 1012333 | 2 | BALL JOINT | | | |
| - 24 | 7893 | 2 | NUT, #10-32 UNF HEX | | | |
| - 25 | 1013085 | 1 | TRANSMISSION SHIFT CABLE INCLUDES ITEMS 23 AND 24 | | | |
| - 26 | 1012414 | 1 | TRANSMISSION SHIFT LEVER | | | |
| - 27 | 7049 | 1 | NYLON BUSHING | | | |



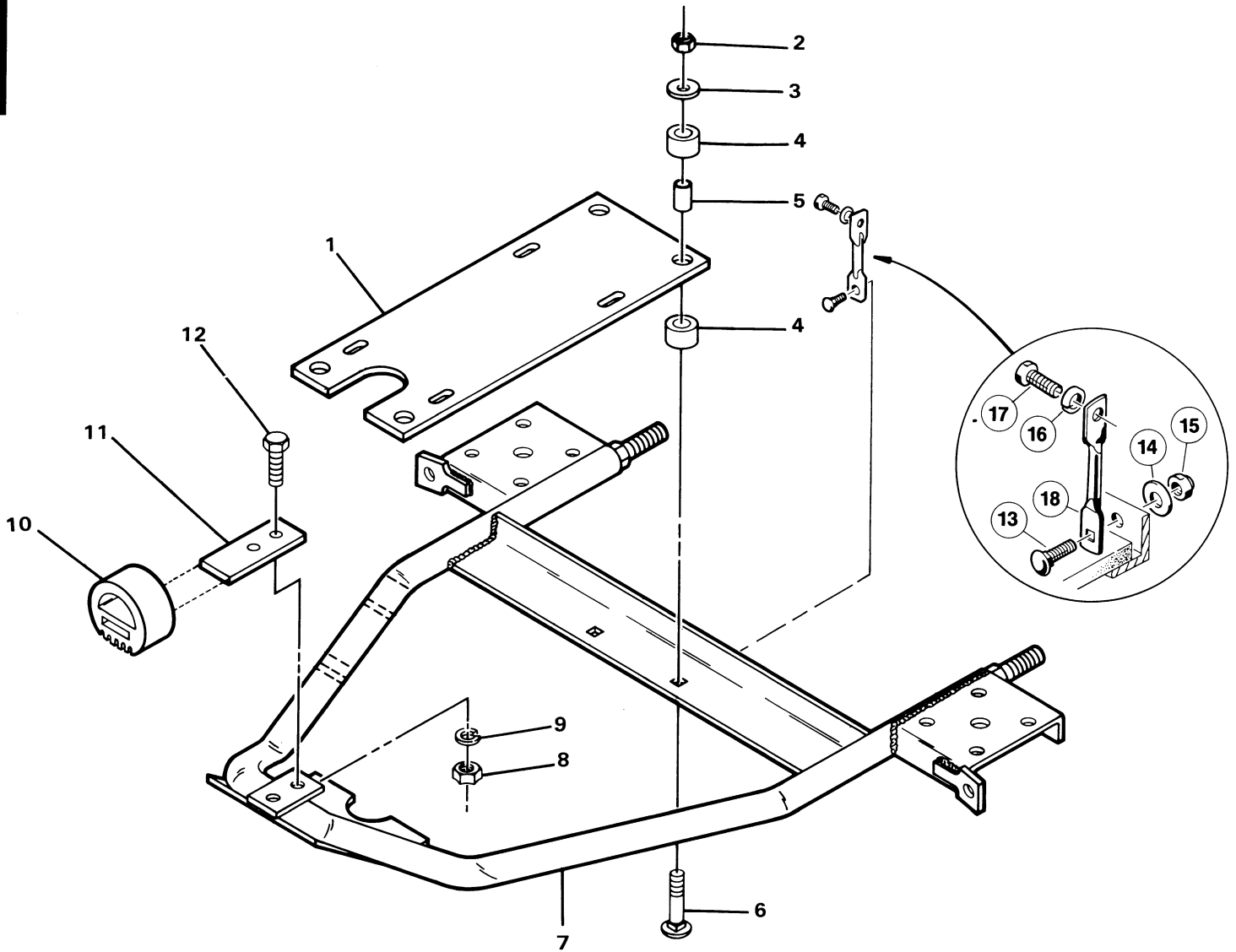


FIGURE 2-11. INNER FRAME ASSEMBLY. SEE LIST 2-11.

INNER FRAME ASSEMBLY

| FIGURE- ITEM NUMBER | PART NUMBER | UNITS PER ASM | DESCRIPTION | | | |
|---------------------------|----------------|---------------------|---|---|---|---|
| | | | 1 | 2 | 3 | 4 |
| 11 - | NO # | 1 | INNER FRAME ASSEMBLY FOR ILLUSTRATION, SEE FIGURE 2-11 | | | |
| - 1 | 1012168 | 1 | ENGINE MOUNTING PLATE | | | |
| - 2 | 8754 | 4 | LOCKNUT, 3/8-16 NYLON | | | |
| - 3 | 808 | 4 | FLATWASHER, 3/8 | | | |
| - 4 | 1012290 | 8 | ENGINE MOUNT | | | |
| - 5 | 1012291 | 4 | STEEL BUSHING | | | |
| - 6 | 1012428 | 4 | NECK BOLT, 3/8-16 ROUND HEAD SQUARE | | | |
| - 7 | 1012161 | 1 | INNER FRAME WELD ASSEMBLY | | | |
| - 8 | 706 | 2 | NUT, 3/8-16 HEX | | | |
| - 9 | 357 | 2 | LOCKWASHER, 3/8 | | | |
| - 10 | 1012164 | 1 | INNER FRAME SNUBBER | | | |
| - 11 | 1012593 | 1 | BRACKET SNUBBER | | | |
| - 12 | 320 | 2 | BOLT, 3/8-16 HEX | | | |
| - 13 | 1015932 | 1 | 5/16-18 X 1 ROUND HEAD SQUARE NECK SCREW | | | |
| - 14 | 1241 | 1 | 5/16" DIAMETER FLATWASHER | | | |
| - 15 | 7473 | 1 | 5/16-18 NYLON LOCKNUT | | | |
| - 16 | 7174 | 1 | 5/16" DIAMETER LOCKWASHER | | | |
| - 17 | 1010577 | 1 | 5/16-18 X 1-1/2" HEX HEAD SCREW | | | |
| - 18 | 1016200 | 1 | TRANSMISSION STRAP | | | |



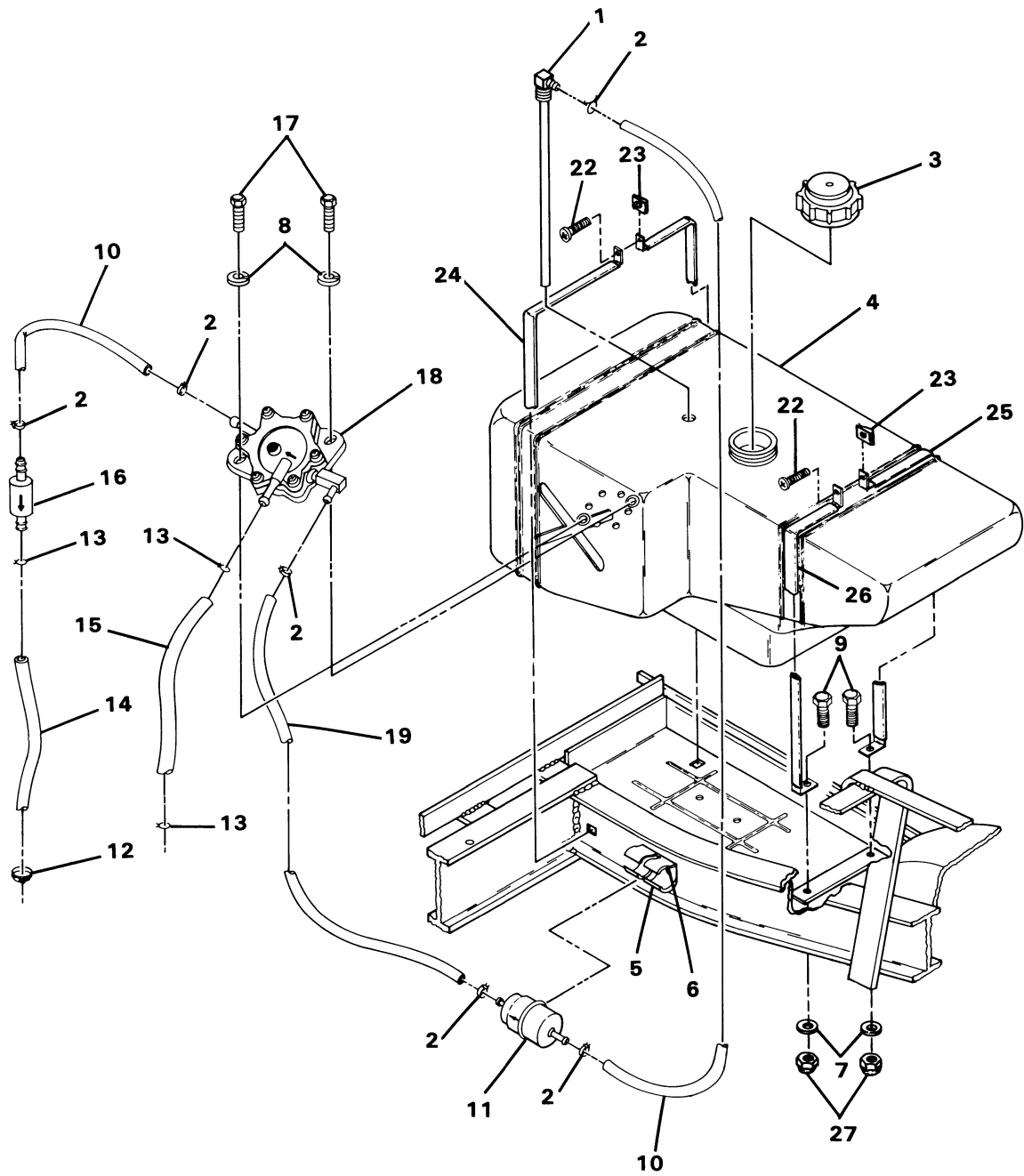
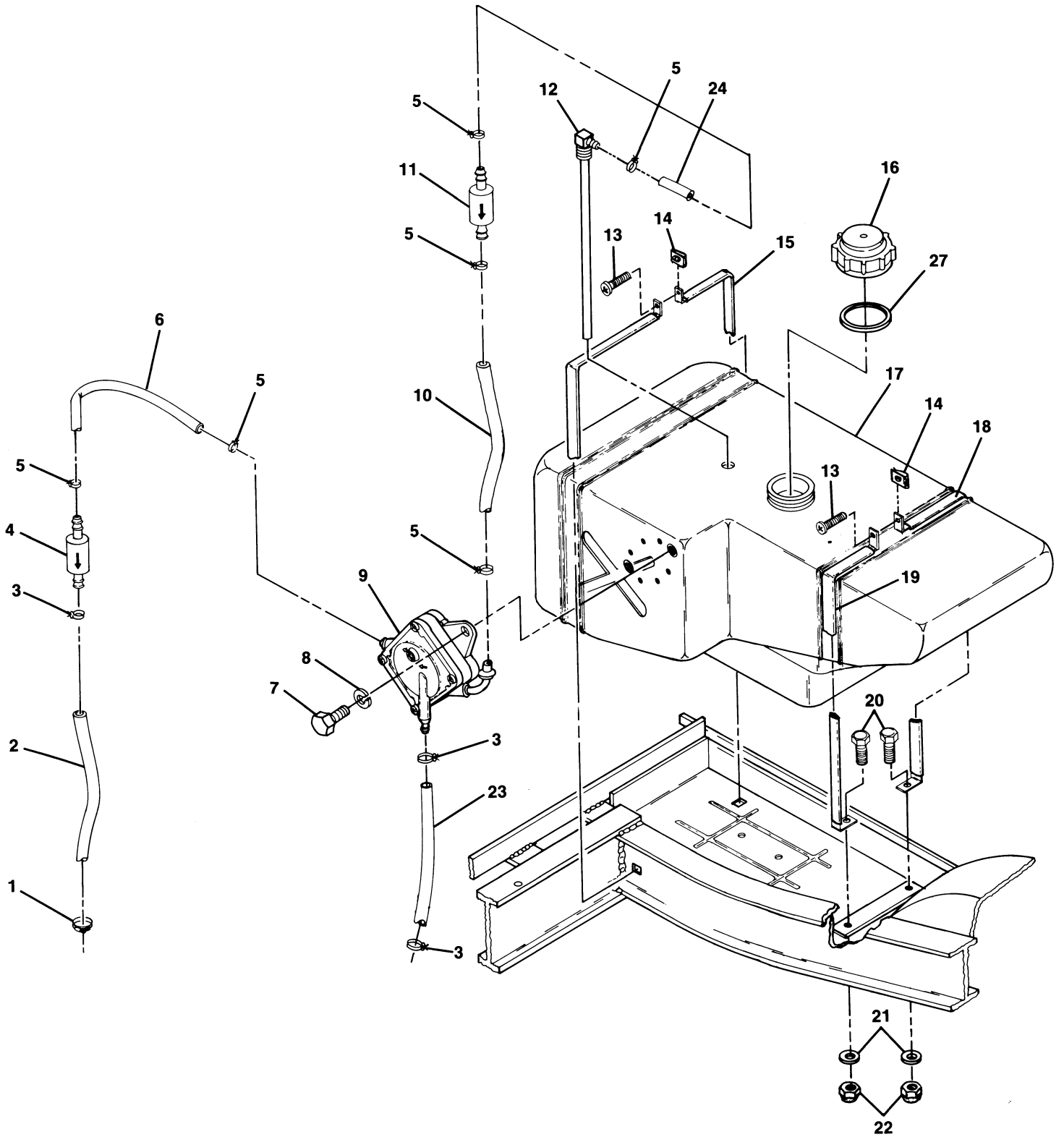


FIGURE 2-12. FUEL SYSTEM ASSEMBLY. SEE LIST 2-12.

FUEL SYSTEM ASSEMBLY

| FIGURE- ITEM NUMBER | PART NUMBER | UNITS PER ASM | DESCRIPTION | | | |
|---------------------------|----------------|---------------------|---|---|---|---|
| | | | 1 | 2 | 3 | 4 |
| 12 - | NO # | 1 | FUEL SYSTEM ASSEMBLY FOR ILLUSTRATION, SEE FIGURE 2-12 | | | |
| - 1 | 1012619 | 1 | TUBE, FUEL PICK-UP | | | |
| - 2 | 1013134 | 6 | CLAMP, HOSE (RED) | | | |
| - 3 | 1012306 | 1 | CAP, FUEL TANK | | | |
| - 4 | 1014159 | 1 | FUEL TANK KIT (FOR CARS WITH SERIAL NO. AG8706-112439 & EARLIER) | | | |
| - 4A | 1013970 | 1 | FUEL TANK (FOR CARS WITH SERIAL NO. AG8706-112440 & LATER) | | | |
| - 5 | 1012418 | 1 | BRACKET, FUEL FILTER | | | |
| - 6 | 7973 | 2 | RIVET, POP | | | |
| - 7 | 332 | 2 | FLATWASHER, 1/4" | | | |
| - 8 | 451 | 2 | LOCKWASHER, 1/4" | | | |
| - 9 | 7847 | 2 | HEX HEAD BOLT, 1/4-20 x 3/4" | | | |
| - 10 | NO # | 2 | LINE, FUEL, 18" (SEE ITEM 20) | | | |
| - 11 | 1012342 | 1 | FUEL FILTER, LARGE | | | |
| - 12 | 1013687 | 1 | CLAMP, HOSE 3/8 " | | | |
| - 13 | 1012649 | 3 | CLAMP, HOSE SINGLE WIRE | | | |
| - 14 | NO # | 1 | LINE, FUEL 2-1/4" (SEE ITEM 21) | | | |
| - 15 | NO # | 1 | LINE, PULSE 16-1/4" (SEE ITEM 21) | | | |
| - 16 | 1013684 | 1 | FUEL FILTER, SMALL | | | |
| - 17 | 1012124 | 2 | BOLT, 1/4-20 x 1/2" HEX | | | |
| - 18 | 1013630 | 1 | IMPULSE FUEL PUMP | | | |
| - 18A | 1013762 | A/R | IMPULSE FUEL PUMP REBUILD KIT (NOT SHOWN) | | | |
| - 19 | NO # | 1 | LINE, FUEL (13") (SEE ITEM 20) | | | |
| - 20 | 1012293 | A/R | CLEAR FUEL LINE (ORDER BY FEET ONLY) | | | |
| - 21 | 1013692 | A/R | BLACK FUEL LINE (ORDER BY FEET ONLY) | | | |
| - 22 | 1011988 | 2 | SCREW, 1/4-20 x 2" PHILLIPS TRUSS HEAD | | | |
| - 23 | 1014116 | 2 | NUT, 1/4-20 "U" TYPE | | | |
| - 24 | 1013972 | 1 | FRONT FUEL STRAP ASSEMBLY | | | |
| - 25 | 1013975 | 1 | REAR INNER FUEL STRAP ASSEMBLY | | | |
| - 26 | 1013974 | 1 | REAR OUTER FUEL STRAP ASSEMBLY | | | |
| - 27 | 8233 | 2 | NYLON LOCKNUT, 1/4-20 | | | |





2-26A

FIGURE 2-12A. FUEL SYSTEM ASSEMBLY. SEE LIST 2-12A.



FUEL SYSTEM ASSEMBLY

| FIGURE- ITEM NUMBER | PART NUMBER | UNITS PER ASM | DESCRIPTION | | | |
|---------------------------|----------------|---------------------|--|---|---|---|
| | | | 1 | 2 | 3 | 4 |
| 12A - | NO # | 1 | FUEL SYSTEM ASSEMBLY FOR ILLUSTRATION, SEE FIGURE 2-12A | | | |
| - 1 | 1013687 | 1 | CLAMP, HOSE 3/8" | | | |
| - 2 | NO # | 1 | LINE, FUEL, 2-1/4" (SEE ITEM 26) | | | |
| - 3 | 1012649 | 3 | CLAMP, HOSE SINGLE WIRE | | | |
| - 4 | 1014522 | 1 | FUEL FILTER, SECONDARY | | | |
| - 5 | 1013134 | 6 | CLAMP, HOSE (RED) | | | |
| - 6 | NO # | 1 | LINE, FUEL, 18" (SEE ITEM 25) | | | |
| - 7 | 1012124 | 2 | BOLT, 1/4-20 X 1/2" HEX | | | |
| - 8 | 451 | 2 | LOCKWASHER, 1/4" | | | |
| - 9 | 1014523 | 1 | IMPULSE FUEL PUMP | | | |
| - 9A | 1014524 | A/R | IMPULSE FUEL PUMP REBUILD KIT (NOT SHOWN) | | | |
| - 10 | NO # | 1 | LINE, FUEL, 6" (SEE ITEM 25) | | | |
| - 11 | 1013684 | 1 | FUEL FILTER, PRIMARY | | | |
| - 12 | 1012619 | 1 | TUBE, FUEL PICK-UP | | | |
| - 13 | 1011988 | 2 | SCREW, 1/4-20 X 2" PHILLIPS TRUSS HEAD | | | |
| - 14 | 1014116 | 2 | NUT, 1/4-20 "U" TYPE | | | |
| - 15 | 1013972 | 1 | FRONT FUEL STRAP ASSEMBLY | | | |
| - 16 | 1012306 | 1 | CAP, FUEL TANK INCLUDES ITEM 27 | | | |
| - 17 | 1013970 | 1 | FUEL TANK | | | |
| - 18 | 1013975 | 1 | REAR INNER FUEL STRAP ASSEMBLY | | | |
| - 19 | 1013974 | 1 | REAR OUTER FUEL STRAP ASSEMBLY | | | |
| - 20 | 7847 | 2 | HEX HEAD BOLT, 1/4-20 X 3/4" | | | |
| - 21 | 332 | 2 | FLATWASHER, 1/4" | | | |
| - 22 | 8233 | 2 | NYLON LOCKNUT, 1/4-20 | | | |
| - 23 | NO # | 1 | LINE, PULSE (16-1/4") (SEE ITEM 26) | | | |
| - 24 | NO # | 1 | LINE, FUEL (2") (SEE ITEM 25) | | | |
| - 25 | 1012293 | A/R | CLEAR FUEL LINE (ORDER BY FEET ONLY) | | | |
| - 26 | 1013692 | A/R | BLACK FUEL LINE (ORDER BY FEET ONLY) | | | |
| - 27 | 1014535 | 1 | GASKET, FUEL TANK CAP | | | |



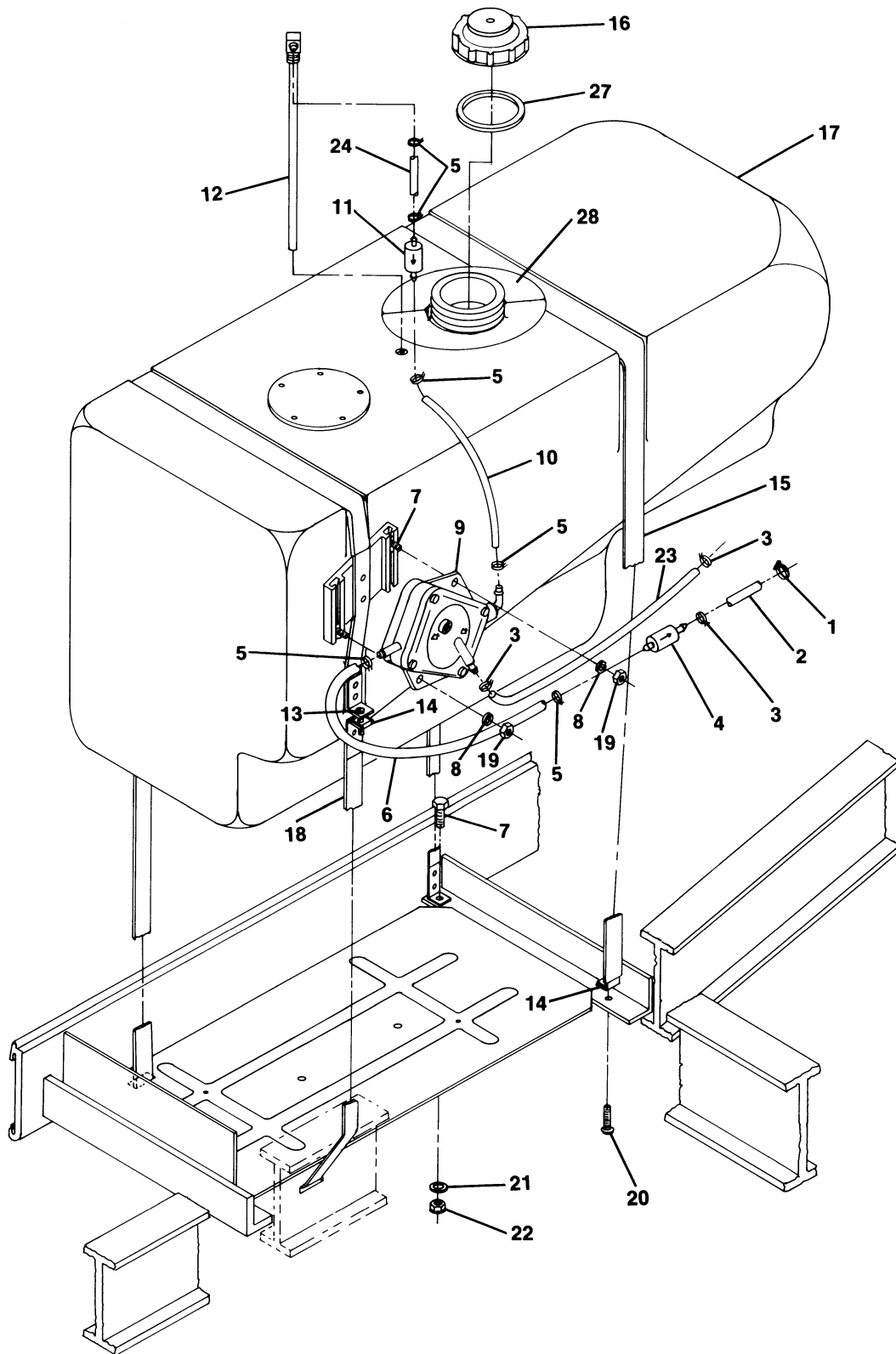


FIGURE 2-12B. FUEL SYSTEM ASSEMBLY. SEE LIST 2-12B.

FUEL SYSTEM ASSEMBLY

| FIGURE- ITEM NUMBER | PART NUMBER | UNITS PER ASM | DESCRIPTION | | | |
|---------------------------|----------------|---------------------|--|---|---|---|
| | | | 1 | 2 | 3 | 4 |
| 12B - | NO # | 1 | FUEL SYSTEM ASSEMBLY FOR ILLUSTRATION, SEE FIGURE 2-12B | | | |
| - 1 | 1013687 | 1 | CLAMP, HOSE 3/8" | | | |
| - 2 | NO # | 1 | LINE, FUEL, (2-1/4") (SEE ITEM 26) | | | |
| - 3 | 1012649 | 3 | CLAMP, HOSE SINGLE WIRE | | | |
| - 4 | 1014522 | 1 | FUEL FILTER, SECONDARY | | | |
| - 5 | 1013134 | 6 | CLAMP, HOSE (RED) | | | |
| - 6 | NO # | 1 | LINE, FUEL, 18" (SEE ITEM 25) | | | |
| - 7 | 7847 | 3 | BOLT, 1/4-20 X 3/4" HEX | | | |
| - 8 | 451 | 2 | LOCKWASHER, 1/4" | | | |
| - 9 | 1014523 | 1 | IMPULSE FUEL PUMP | | | |
| - 9A | 1014524 | A/R | IMPULSE FUEL PUMP REBUILD KIT (NOT SHOWN) | | | |
| - 10 | NO # | 1 | LINE, FUEL, 6" (SEE ITEM 25) | | | |
| - 11 | 1013684 | 1 | FUEL FILTER, PRIMARY | | | |
| - 12 | 1012619 | 1 | TUBE, FUEL PICK-UP | | | |
| - 13 | 1011988 | 2 | SCREW, 1/4-20 X 2" PHILLIPS TRUSS HEAD | | | |
| - 14 | 1014116 | 2 | NUT, 1/4-20 "U" TYPE | | | |
| - 15 | 1014927 | 1 | FRONT FUEL STRAP ASSEMBLY | | | |
| - 16 | 1012306 | 1 | CAP, FUEL TANK INCLUDES ITEM 27 | | | |
| - 17 | 1014499 | 1 | FUEL TANK | | | |
| - 18 | 1014928 | 1 | REAR FUEL STRAP ASSEMBLY | | | |
| - 19 | 1028 | 2 | NUT, 1/4-20 HEX | | | |
| - 20 | 1013176 | 1 | 1/4-20 X 2.50 PHILLIPS TRUSS HEAD SCREW | | | |
| - 21 | 332 | 1 | FLATWASHER, 1/4" | | | |
| - 22 | 8233 | 1 | NYLON LOCKNUT, 1/4-20 | | | |
| - 23 | NO # | 1 | LINE, PULSE (16-1/4") (SEE ITEM 26) | | | |
| - 24 | NO # | 1 | LINE, FUEL (2") (SEE ITEM 25) | | | |
| - 25 | 1012293 | A/R | CLEAR FUEL LINE (ORDER BY FEET ONLY) | | | |
| - 26 | 1013692 | A/R | BLACK FUEL LINE (ORDER BY FEET ONLY) | | | |
| - 27 | 1014535 | 1 | GASKET, FUEL TANK CAP | | | |
| - 28 | 1015216 | 1 | GAS TANK WARNING LABEL | | | |



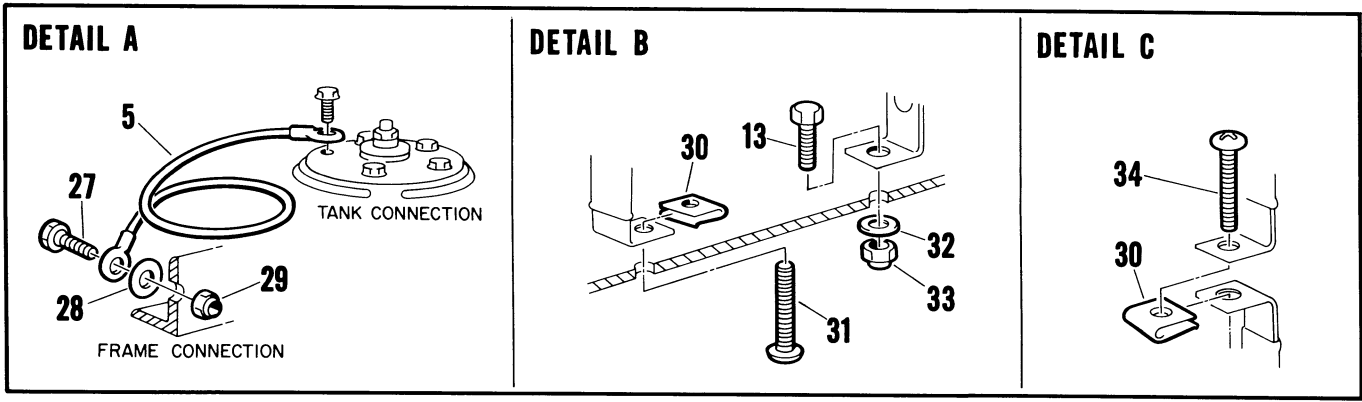
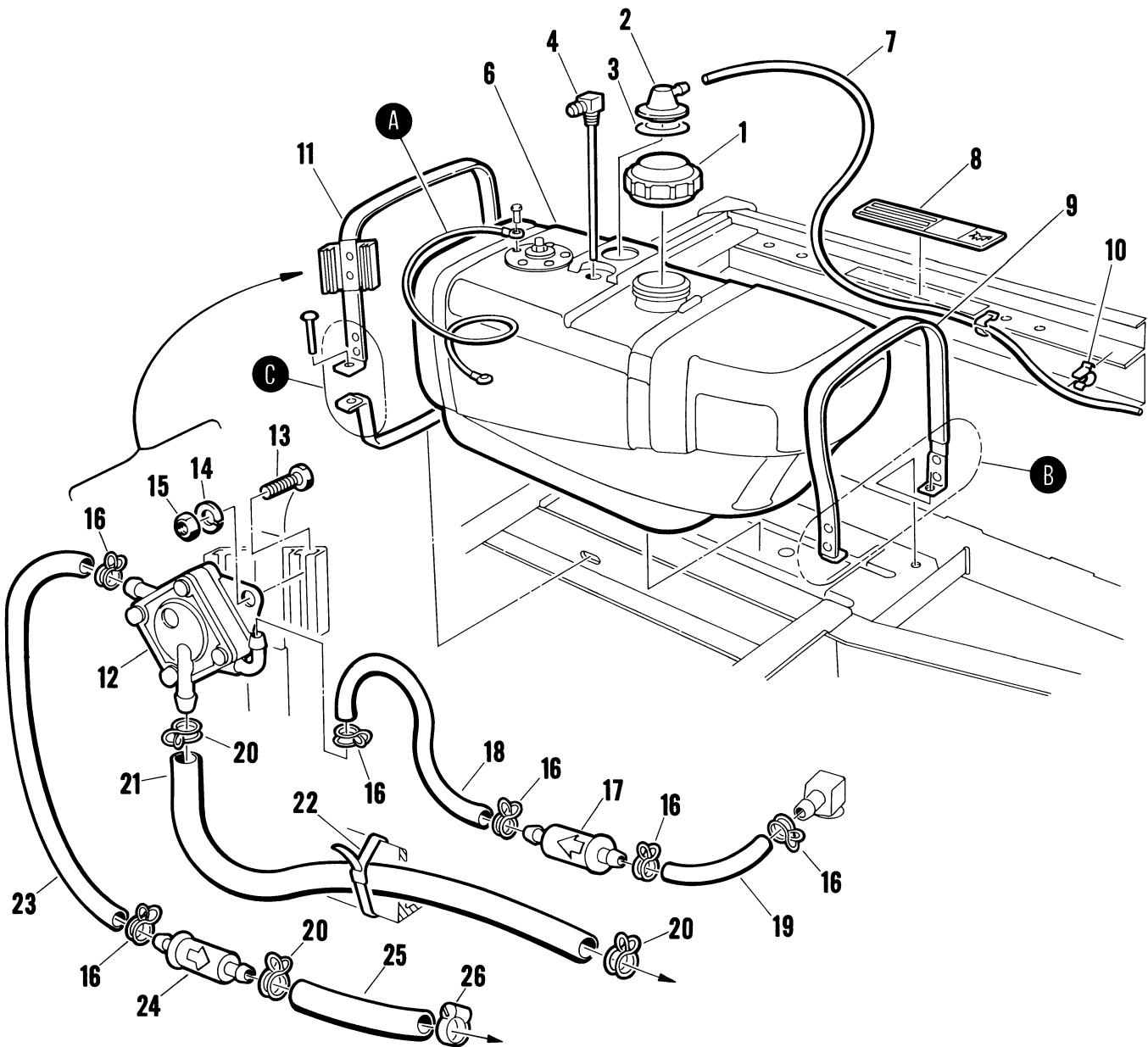


FIGURE 2-12C. FUEL SYSTEM ASSEMBLY. SEE LIST 2-12C.

FUEL SYSTEM ASSEMBLY

| FIGURE- ITEM NUMBER | PART NUMBER | UNITS PER ASM | DESCRIPTION | | | |
|---------------------------|----------------|---------------------|--|---|---|---|
| | | | 1 | 2 | 3 | 4 |
| 12C - | NO # | | FUEL SYSTEM ASSEMBLY FOR ILLUSTRATION, SEE FIGURE 2-12C | | | |
| - 1 | 1015188 | 1 | FUEL TANK CAP | | | |
| - 2 | 1015143 | 1 | FUEL TANK VENT | | | |
| - 3 | 1015139 | 1 | INSULATION GROMMET | | | |
| - 4 | 1012619 | 1 | FUEL PICK-UP TUBE | | | |
| - 5 | 1015921 | 1 | WIRE ASSEMBLY, #18 BLACK | | | |
| - 6 | 1015498 | 1 | FUEL TANK ASSEMBLY INCLUDES ITEMS 1 THRU 5 AND FUEL TANK | | | |
| - 7 | 1015501 | 1 | VENT FUEL LINE, 33" | | | |
| - 8 | 1015476 | 1 | DANGER DECAL | | | |
| - 9 | 1014928 | 1 | REAR FUEL STRAP ASSEMBLY | | | |
| - 10 | 1015502 | 3 | CLIP | | | |
| - 11 | 1014927 | 1 | FRONT FUEL STRAP ASSEMBLY | | | |
| - 12 | 1014523 | 1 | FUEL PUMP | | | |
| - 13 | 7847 | 3 | HEX HEAD BOLT, 1/4-20 X 3/4 | | | |
| - 14 | 451 | 2 | LOCKWASHER, HEL SP, 1/4" DIAMETER | | | |
| - 15 | 1028 | 2 | HEX NUT, 1/4-20 | | | |
| - 16 | 1013134 | 6 | HOSE CLAMP (RED) | | | |
| - 17 | 1013684 | 1 | PRIMARY FUEL FILTER (WHITE) | | | |
| - 18 | NO # | 1 | FUEL LINE, 6" SEE ITEM 35 | | | |
| - 19 | NO # | 1 | FUEL LINE, 2" SEE ITEM 35 | | | |
| - 20 | 1012649 | 3 | HOSE CLAMP | | | |
| - 21 | NO # | 1 | FUEL LINE, 19-1/4" SEE ITEM 36 | | | |
| - 22 | 8639 | 1 | TIE WRAP (IF USED) | | | |
| - 23 | NO # | 1 | FUEL LINE, 22" SEE ITEM 35 | | | |
| - 24 | 1014522 | 1 | SECONDARY FUEL FILTER (BLUE) | | | |
| - 25 | NO # | 1 | FUEL LINE, 2-1/4" SEE ITEM 36 | | | |
| - 26 | 1013687 | 1 | HOSE CLAMP, 3/8" DIAMETER | | | |
| - 27 | 7173 | 1 | HEX HEAD BOLT, 5/16-18 X 3/4 | | | |
| - 28 | 1011578 | 1 | FLATWASHER, 5/16" DIAMETER | | | |
| - 29 | 7473 | 1 | NYLON LOCKNUT, 5/16-18 | | | |
| - 30 | 1014116 | 2 | SPEED NUT, U-TYPE, 1/4-20 | | | |
| - 31 | 1013176 | 1 | PH TR HEAD SCREW, 1/4-20 X 2-1/2 | | | |
| - 32 | 332 | 1 | FLATWASHER, 1/4" DIAMETER | | | |
| - 33 | 8233 | 1 | NYLON LOCKNUT, 1/4-20 | | | |
| - 34 | 1011988 | 1 | PH TR HEAD SCREW, 1/4-20 X 2 | | | |
| - 35 | 1012293 | A/R | FUEL LINE | | | |
| - 36 | 1013692 | A/R | FUEL LINE | | | |
| | 1014968 | | FUEL PUMP AND FILTER ASSEMBLY INCLUDES ITEMS 12, 16 THRU 21, AND 23 THRU 26 | | | |





Section III

SUSPENSION AND STEERING GROUP

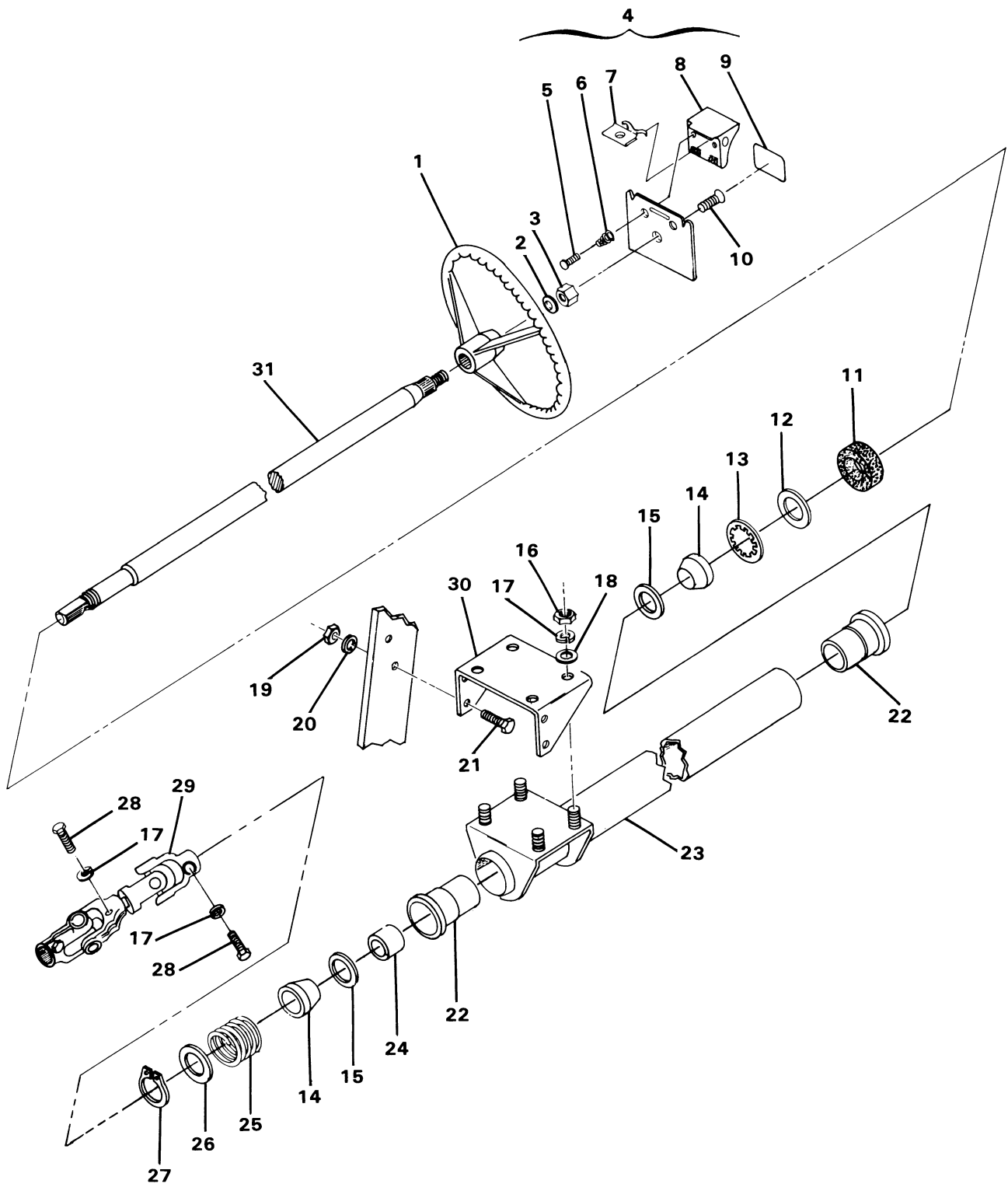


FIGURE 3-1. STEERING COLUMN ASSEMBLY. SEE LIST 3-1.

STEERING COLUMN ASSEMBLY

| FIGURE- ITEM NUMBER | PART NUMBER | UNITS PER ASM | DESCRIPTION | | | |
|---------------------------|----------------|---------------------|---|---|---|---|
| | | | 1 | 2 | 3 | 4 |
| 1 - | NO # | 1 | STEERING COLUMN ASSEMBLY FOR ILLUSTRATION, SEE FIGURE 3-1 | | | |
| - 1 | 1012569 | 1 | WHEEL, STEERING | | | |
| - 2 | 1010193 | 1 | FLATWASHER, 5/8" | | | |
| - 3 | 7209 | 1 | NUT, SCORECARD | | | |
| - 4 | 1013434 | 1 | SCORECARD KIT INCLUDES ITEMS 5 THRU 9 | | | |
| - 5 | 1012565 | 2 | SCREW, PHILLIPS PAN HEAD, TAPPING | | | |
| - 6 | 1012566 | 2 | SPRING, COMPRESSION | | | |
| - 7 | 1014260 | 1 | CLIP-PENCIL HOLDER | | | |
| - 8 | 1012504 | 1 | PENCIL HOLDER | | | |
| - 9 | 1013389 | 1 | OPERATING INSTRUCTIONS DECAL | | | |
| - 10 | 7216 | 1 | SCREW, FLAT HEAD 5/16-18 | | | |
| - 11 | 1012466 | 1 | COVER, DUST | | | |
| - 12 | 1014211 | 1 | SEAL BEARING | | | |
| - 13 | 1014214 | 1 | RING, RETAINING | | | |
| - 14 | 1014125 | 2 | WEDGE | | | |
| - 15 | 1014213 | 2 | BEARING | | | |
| - 16 | 1012528 | 4 | NUT, 8MM X 1-1/4" | | | |
| - 17 | 7174 | 6 | LOCKWASHER, 5/16" | | | |
| - 18 | 1241 | 4 | FLATWASHER, 5/16" | | | |
| - 19 | 8754 | 4 | LOCKNUT, 3/8-16 | | | |
| - 20 | 334 | 4 | FLATWASHER, 3/8" | | | |
| - 21 | 320 | 4 | BOLT, HEX, 3/8-16 | | | |
| - 22 | 1014126 | 2 | BEARING SEAT | | | |
| - 23 | 1012603 | 1 | COLUMN WELD ASSEMBLY | | | |
| - 24 | 1014212 | 1 | SPACER | | | |
| - 25 | 1014217 | 1 | SPRING | | | |
| - 26 | 1012604 | 1 | WASHER | | | |
| - 27 | 1012605 | 1 | SNAP RING | | | |
| - 28 | 1012830 | 2 | BOLT, HEX, 8MM | | | |
| - 29 | 1013861 | 1 | JOINT YOKE COMPOUND STEERING INCLUDES ITEMS 17 AND 28 | | | |
| - 30 | 1013922 | 1 | PLATE, STEERING MOUNTING | | | |
| - 31 | NO # | 1 | SHAFT (SEE ITEM 32) | | | |
| - 32 | 1014268 | 1 | STEERING COLUMN AND MOUNTING PLATE ASSEMBLY INCLUDES ITEMS 11 THRU 18, 22 THRU 27, 30 AND 31 | | | |
| - 33 | 1014216 | A/R | STEERING COLUMN REBUILT KIT INCLUDES ITEMS 11 THRU 15, 22, 24 AND 25 | | | |



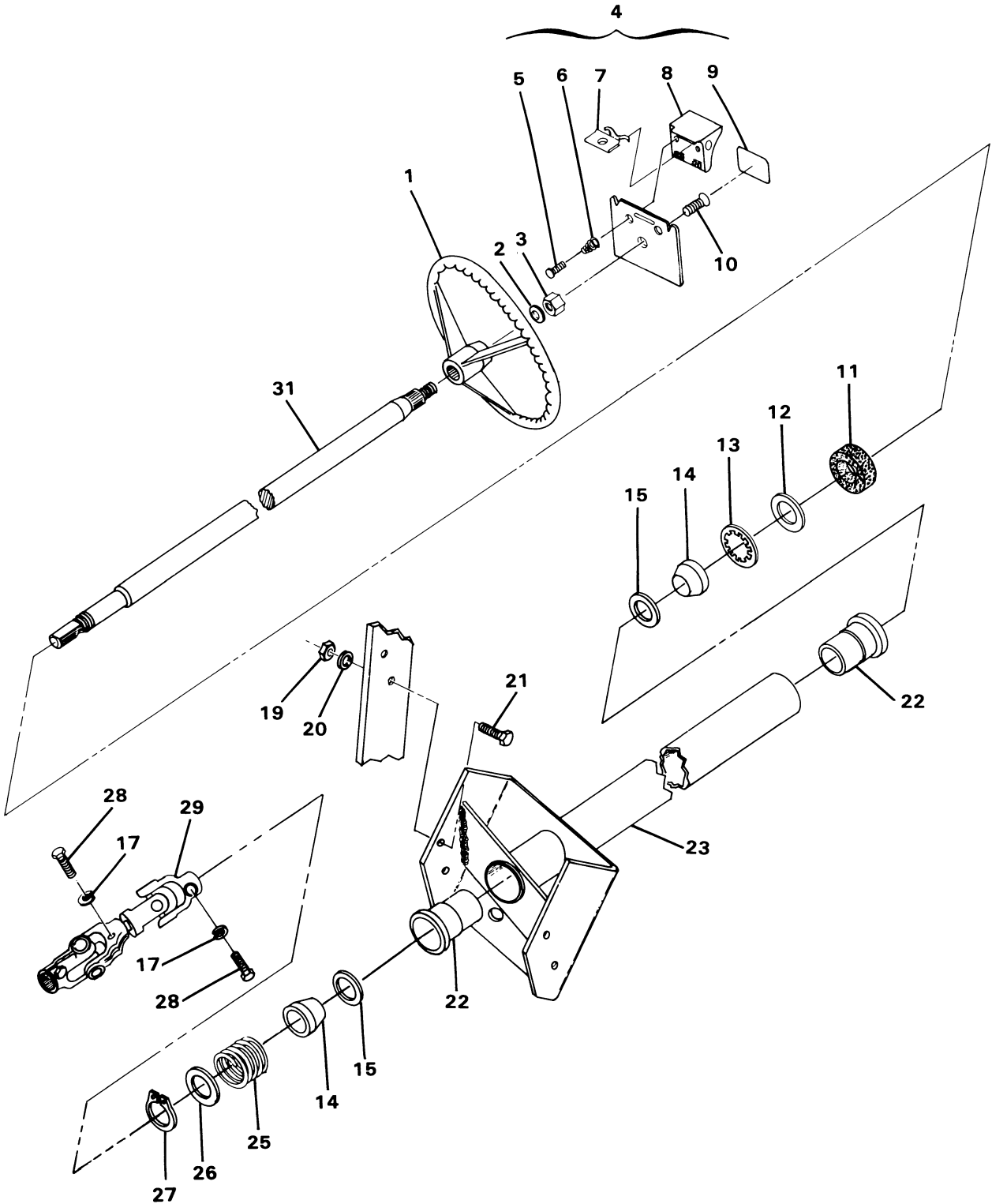


FIGURE 3-1A. STEERING COLUMN ASSEMBLY. SEE LIST 3-1A.

STEERING COLUMN ASSEMBLY

| FIGURE- ITEM NUMBER | PART NUMBER | UNITS PER ASM | DESCRIPTION | | | |
|---------------------------|----------------|---------------------|---|---|---|---|
| | | | 1 | 2 | 3 | 4 |
| 1A - | NO # | 1 | STEERING COLUMN ASSEMBLY FOR ILLUSTRATION, SEE FIGURE 3-1A | | | |
| - 1 | 1012569 | 1 | WHEEL, STEERING | | | |
| - 2 | 1010193 | 1 | FLATWASHER, 5/8" | | | |
| - 3 | 7209 | 1 | NUT, SCORECARD | | | |
| - 4 | 1013434 | 1 | SCORECARD KIT INCLUDES ITEMS 5 THRU 9 | | | |
| - 5 | 1012565 | 2 | SCREW, PHILLIPS PAN HEAD, TAPPING | | | |
| - 6 | 1012566 | 2 | SPRING, COMPRESSION | | | |
| - 7 | 1014260 | 1 | CLIP-PENCIL HOLDER | | | |
| - 8 | 1012504 | 1 | PENCIL HOLDER | | | |
| - 9 | 1013389 | 1 | OPERATING INSTRUCTIONS DECAL | | | |
| - 10 | 7216 | 1 | SCREW, FLAT HEAD 5/16-18 | | | |
| - 11 | 1012466 | 1 | COVER, DUST | | | |
| - 12 | 1014211 | 1 | SEAL BEARING | | | |
| - 13 | 1014214 | 1 | RING, RETAINING | | | |
| - 14 | 1014125 | 2 | WEDGE | | | |
| - 15 | 1014213 | 2 | BEARING | | | |
| - 17 | 7174 | 2 | LOCKWASHER, 5/16" | | | |
| - 19 | 8754 | 4 | LOCKNUT, 3/8-16 | | | |
| - 20 | 334 | 4 | FLATWASHER, 3/8" | | | |
| - 21 | 320 | 4 | BOLT, HEX, 3/8-16 | | | |
| - 22 | 1014126 | 2 | BEARING SEAT | | | |
| - 23 | NO # | 1 | COLUMN WELD ASSEMBLY | | | |
| - 25 | 1014217 | 1 | SPRING | | | |
| - 26 | 1012604 | 1 | WASHER | | | |
| - 27 | 1012605 | 1 | SNAP RING | | | |
| - 28 | 1012830 | 2 | BOLT, HEX, 8MM | | | |
| - 29 | 1013861 | 1 | JOINT YOKE COMPOUND STEERING INCLUDES ITEMS 17 AND 28 | | | |
| - 31 | NO # | 1 | SHAFT (SEE ITEM 32) | | | |
| - 32 | 1014268 | 1 | STEERING COLUMN ASSEMBLY INCLUDES ITEMS 11 THRU 15, 22 THRU 27, AND 31 | | | |
| - 33 | 1014216 | A/R | STEERING COLUMN REBUILT KIT INCLUDES ITEMS 11 THRU 15, 22, 24 AND 25 | | | |



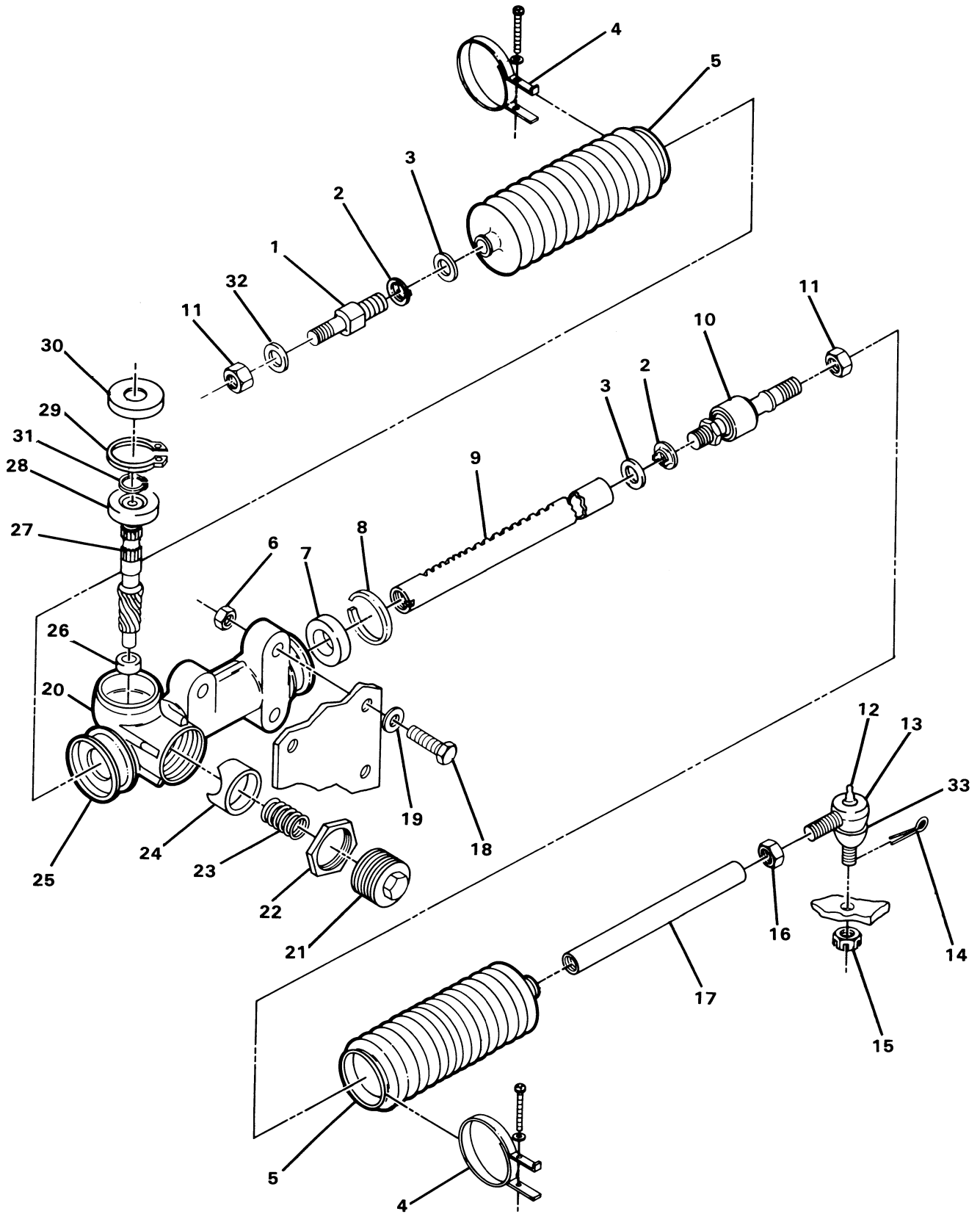


FIGURE 3-1. STEERING ASSEMBLY. SEE LIST 3-1.

STEERING ASSEMBLY

| FIGURE- ITEM NUMBER | PART NUMBER | UNITS PER ASM | DESCRIPTION | | | |
|---------------------------|----------------|---------------------|---|---|---|---|
| | | | 1 | 2 | 3 | 4 |
| 1 - | NO # | 1 | STEERING ASSEMBLY FOR ILLUSTRATION, SEE FIGURE 3-1 | | | |
| - 1 | 1013053 | 1 | BOLT, STOPPER, 12MM | | | |
| - 2 | 1013040 | 2 | LOCKWASHER, TIE ROD | | | |
| - 3 | 1013039 | 2 | WASHER, TIE ROD STOPPER | | | |
| - 4 | 1013034 | 2 | BAND, BELLOWS | | | |
| - 5 | 1013035 | 2 | SEAL, DUST | | | |
| - 6 | 1010138 | 3 | LOCKNUT, 3/8-16 | | | |
| - 7 | 1013036 | 1 | BUSHING, RACK | | | |
| - 8 | 1013037 | 1 | RING, SNAP | | | |
| - 9 | NO # | 1 | RACK, STEERING (SEE ITEM 20) | | | |
| - 10 | 1013041 | 1 | END, RACK | | | |
| - 11 | 1013042 | 2 | NUT, HEX, 12MM | | | |
| - 12 | 1010116 | 1 | FITTING, GREASE | | | |
| - 13 | 7540 | 1 | SOCKET, VERTICAL, LEFT HAND INCLUDES ITEMS 12 AND 15 | | | |
| - 14 | 1035 | 1 | PIN, COTTER | | | |
| - 15 | 7602 | 1 | NUT, HEX, SLOTTED, 3/8-24 | | | |
| - 16 | 7555 | 1 | NUT, LEFT HAND, JAM, 1/2-20 | | | |
| - 17 | 1012467 | 1 | LINK, DRAG | | | |
| - 18 | 1624 | 3 | BOLT, HEX, 3/8-16 | | | |
| - 19 | 334 | 3 | FLATWASHER, 3/8 | | | |
| - 20 | 1012452 | 1 | STEERING GEAR BOX ASSEMBLY INCLUDES ITEMS 1 THRU 5, 7 THRU 11 AND 21 THRU 30 | | | |
| - 21 | 1013043 | 1 | SCREW, RACK GUIDE | | | |
| - 22 | 1013044 | 1 | LOCKNUT, RACK SCREW | | | |
| - 23 | 1013045 | 1 | SPRING, RACK GUIDE PRESSURE | | | |
| - 24 | 1013046 | 1 | GUIDE, STEERING RACK | | | |
| - 25 | 1013047 | 1 | BOX, STEERING GEAR | | | |
| - 26 | 1013048 | 1 | BUSHING, PINION | | | |
| - 27 | NO # | 1 | PINION, STEERING (SEE ITEM 20) | | | |
| - 28 | 1012884 | 1 | BALL BEARING | | | |
| - 29 | 1013051 | 1 | RING-RETAINING, INTERNAL | | | |
| - 30 | 1013052 | 1 | DUST SEAL, STEERING PINION | | | |
| - 31 | 1013031 | 1 | RING-RETAINING, EXTERNAL | | | |
| - 32 | 1013030 | 1 | WASHER, END | | | |
| - 33 | 1011930 | 1 | DUST SEAL | | | |



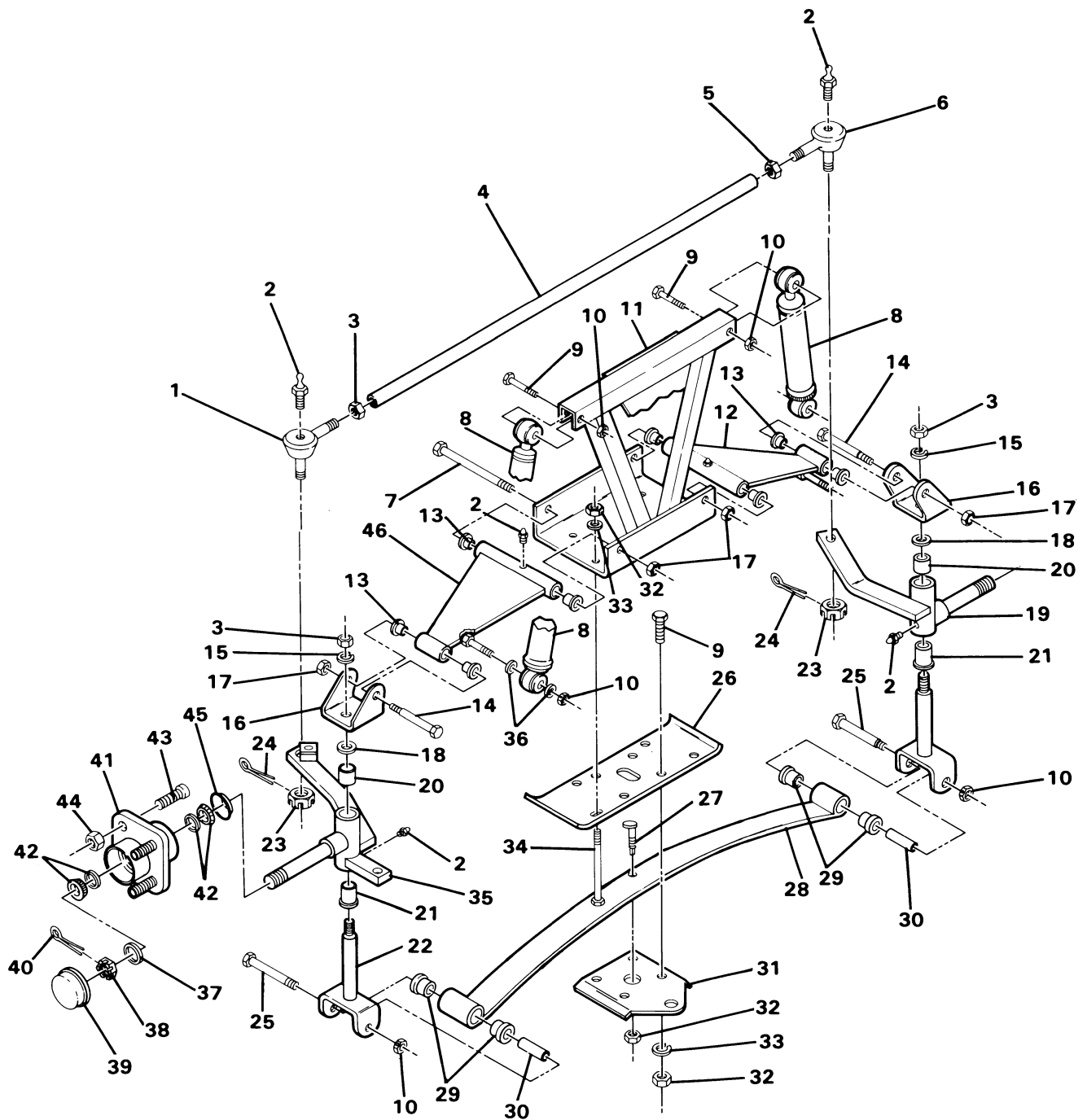


FIGURE 3-2. FRONT SUSPENSION ASSEMBLY. SEE LIST 3-2.

FRONT SUSPENSION ASSEMBLY

| FIGURE- ITEM NUMBER | PART NUMBER | UNITS PER ASM | DESCRIPTION | | | |
|---------------------------|----------------|---------------------|--------------------------------------|---|---|---|
| | | | 1 | 2 | 3 | 4 |
| 2 - | NO # | 1 | FRONT SUSPENSION ASSEMBLY | | | |
| - 1 | 7539 | 1 | FOR ILLUSTRATION, SEE FIGURE 3-2 | | | |
| - 2 | 1015597 | 5 | JOINT, RIGHT HAND BALL | | | |
| - 3 | 1308 | 3 | INCLUDES ITEM 23 | | | |
| - 4 | 1010219 | 1 | 1/4-28 THREAD FORMING GREASE FITTING | | | |
| - 5 | 7555 | 1 | NUT, 1/2-20 HEX | | | |
| - 6 | 7540 | 1 | ROD, TIE | | | |
| - 7 | 1010126 | 2 | NUT, 1/2-20 LEFT HAND HEX | | | |
| - 8 | 1014233 | 2 | JOINT, LEFT HAND BALL | | | |
| - 9 | 1624 | 6 | INCLUDES ITEM 23 | | | |
| - 10 | 1010138 | 6 | BOLT, 3/8-16 SHOULDER HEX | | | |
| - 11 | 1012496 | 1 | ABSORBER, SHOCK | | | |
| - 12 | 1015589 | 1 | BOLT, 3/8-16 HEX | | | |
| - 13 | 7719 | 4 | LOCKNUT, 3/8-16 | | | |
| - 14 | 1010125 | 2 | SHOCK SUPPORT WELD ASSEMBLY | | | |
| - 15 | 209 | 2 | "A" PLATE SUBASSEMBLY (LEFT HAND) | | | |
| - 16 | 1010117 | 2 | INCLUDES ITEMS 2 AND 13 | | | |
| - 17 | 8754 | 4 | BUSHING, BRONZE | | | |
| - 18 | 1010150 | 2 | BOLT, 3/8-16 SHOULDER HEX | | | |
| - 19 | 1010348 | 1 | LOCKWASHER, 1/2 | | | |
| - 20 | 8067 | 2 | CLEVIS, UPPER | | | |
| - 21 | 7048 | 2 | LOCKNUT, 3/8-16 NYLON | | | |
| - 22 | 1010121 | 2 | WASHER, THRUST | | | |
| - 23 | 7602 | 2 | SPINDLE LEFT HAND ASSEMBLY | | | |
| - 24 | 1035 | 2 | INCLUDES ITEMS 2, 20, AND 21 | | | |
| - 25 | 8755 | 2 | BUSHING, SPINDLE | | | |
| - 26 | 1010124 | 1 | BUSHING, 3/4 BRONZE | | | |
| - 27 | 8745 | 1 | KING PIN ASSEMBLY | | | |
| - 28 | 1013867 | 1 | NUT, 3/8-24 SLOTTED HEX | | | |
| - 29 | 1015583 | 4 | PIN, COTTER 3/32 X 1" | | | |
| - 30 | 1012303 | 2 | BOLT, 3/8-16 HEX | | | |
| - 31 | 1014276 | 1 | PLATE, FRONT SPRING MOUNTING | | | |
| - 32 | 706 | 9 | ADJUSTER, FRONT SPRING ECCENTRIC | | | |
| - 33 | 357 | 8 | SPRING, FRONT | | | |
| - 34 | 1010200 | 4 | INCLUDES ITEMS 27 AND 32 | | | |
| - 35 | 1010347 | 1 | BUSHING, URETHANE | | | |
| - 36 | 334 | 4 | BUSHING, 3/8 STEEL | | | |
| - 37 | 1010005 | 2 | PLATE, FRONT SPRING RETAINER | | | |
| - 38 | 7840 | 2 | NUT, 3/8-16 HEX | | | |
| - 39 | 1011887 | 2 | LOCKWASHER, 3/8 | | | |
| - 40 | 7910 | 2 | BOLT, 3/8-16 | | | |
| - 41 | 1011894 | 2 | SPINDLE RIGHT HAND ASSEMBLY | | | |
| - 42 | 1011393 | 4 | INCLUDES ITEMS 2, 20 AND 21 | | | |
| - 43 | 1011304 | 8 | FLATWASHER, 3/8 | | | |
| - 44 | 1011390 | 8 | FLATWASHER, SPECIAL | | | |
| - 45 | 1013135 | 2 | NUT, 3/4-16 SLOTTED HEX | | | |
| - 46 | 1015586 | 1 | COVER, DUST | | | |
| | | | PIN, COTTER 5/32 X 1" | | | |
| | | | HUB ASSEMBLY | | | |
| | | | INCLUDES ITEMS 42 AND 43 | | | |
| | | | BEARING, HUB PACKAGE (2 PIECES) | | | |
| | | | STUD, LUG | | | |
| | | | NUT, LUG | | | |
| | | | SEAL, DUST | | | |
| | | | "A" PLATE ASSEMBLY, RIGHT HAND | | | |
| | | | INCLUDES ITEMS 2, 13 AND 29 | | | |



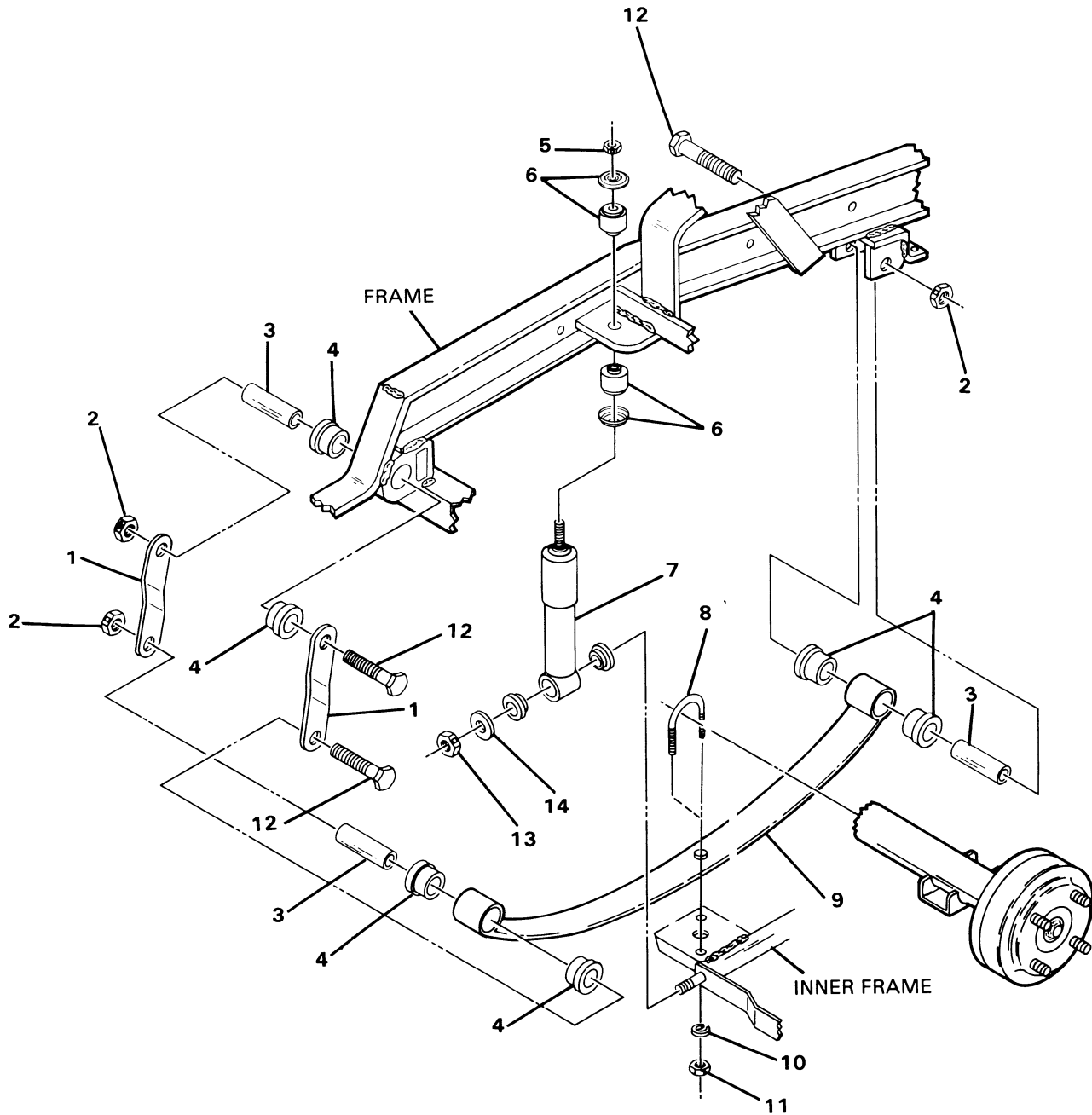


FIGURE 3-3. REAR SUSPENSION ASSEMBLY. SEE LIST 3-3.

REAR SUSPENSION ASSEMBLY

| FIGURE- ITEM NUMBER | PART NUMBER | UNITS PER ASM | DESCRIPTION | | | |
|---------------------------|----------------|---------------------|--|---|---|---|
| | | | 1 | 2 | 3 | 4 |
| 3 - | NO # | 1 | REAR SUSPENSION ASSEMBLY FOR ILLUSTRATION, SEE FIGURE 3-3 | | | |
| - 1 | 1012304 | 4 | REAR SPRING SHACKLE | | | |
| - 2 | 1010138 | 6 | DIMPLED LOCKNUT, 3/8-16 UNC | | | |
| - 3 | 1012303 | 4 | STEEL BUSHING | | | |
| - 4 | 1015583 | 12 | URETHANE BUSHING | | | |
| - 5 | 1010145 | 2 | NUT, 3/8-24 UNC HEX | | | |
| - 6 | 1011415 | 2 | SHOCK ABSORBER CUSHION KIT | | | |
| - 7 | 1012781 | 1 | SHOCK ABSORBER KIT INCLUDES ITEM 6 | | | |
| - 8 | 1012180 | 2 | "U" BOLT | | | |
| - 9 | 1012324 | 2 | REAR SPRING | | | |
| - 10 | 357 | 4 | LOCKWASHER, 3/8 | | | |
| - 11 | 706 | 8 | NUT, 3/8-16 UNC HEX | | | |
| - 12 | 8755 | 6 | BOLT, HEX, 3/8-16 UNC X 3-3/8" | | | |
| - 13 | 1010188 | 2 | DIMPLED LOCKNUT, 5/8-11 | | | |
| - 14 | 1010193 | 2 | FLATWASHER, 5/8 | | | |





Section IV

BRAKE SYSTEM AND PEDAL GROUP

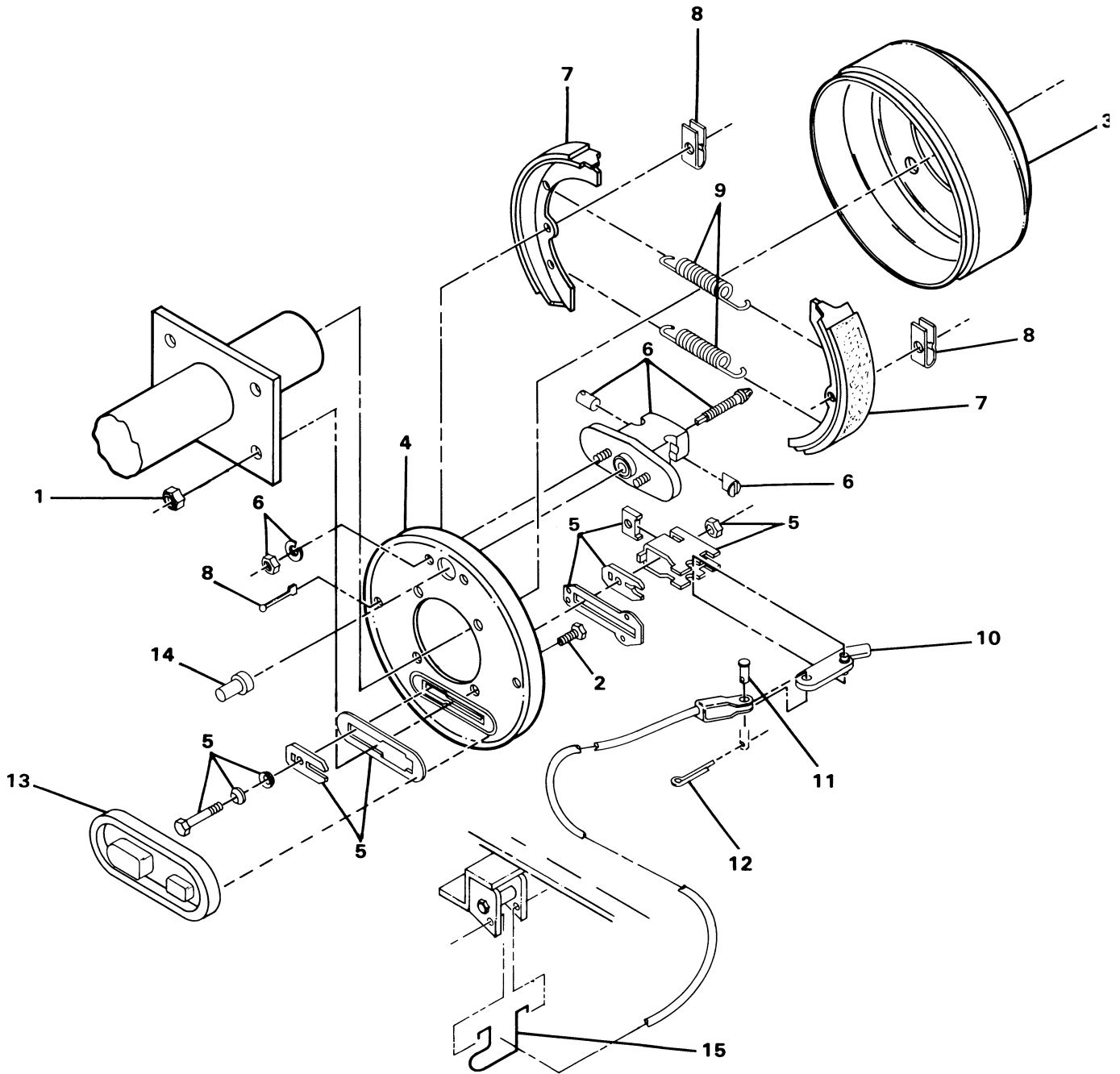


FIGURE 4-1. BRAKE CLUSTER, RIGHT HAND AND LEFT HAND. SEE LIST 4-1.

BRAKE CLUSTER, RIGHT HAND AND LEFT HAND

| FIGURE- ITEM NUMBER | PART NUMBER | UNITS PER ASM | DESCRIPTION | | | |
|---------------------------|----------------|---------------------|---|---|---|---|
| | | | 1 | 2 | 3 | 4 |
| 1 - | 1011145 | 1 | RIGHT HAND BRAKE CLUSTER COMPLETE INCLUDES ITEMS 4 THRU 14 | | | |
| | 1011146 | 1 | LEFT HAND BRAKE CLUSTER COMPLETE INCLUDES ITEMS 4 THRU 14 FOR ILLUSTRATION SEE FIGURE 4-1 | | | |
| - 1 | 1013924 | 8 | LOCKNUT, 5/16-24, GRADE 8 | | | |
| - 2 | 1013923 | 8 | BOLT, HEX HEAD, 5/16-24, GRADE 8 (FOR CARS WITH DRIVE UNIT SERIAL NO. 6100217 AND EARLIER) | | | |
| - 2 | 1014153 | 8 | BOLT, BRAKE CLUSTER MOUNTING (FOR CARS WITH DRIVE UNIT SERIAL NO. 6100218 AND LATER) | | | |
| - 3 | 1011137 | 2 | DRUM, BRAKE | | | |
| - 4 | 1011494 | 1 | PLATE BACKING, LEFT HAND | | | |
| - 4 | 1011154 | 1 | PLATE BACKING, RIGHT HAND | | | |
| - 5 | 1011465 | 1 | BRAKE ACTUATOR KIT | | | |
| - 6 | 1011467 | 1 | ANCHOR BODY KIT INCLUDES ITEM 16 | | | |
| - 7 | 1011463 | 1 | BRAKE SHOE PACKAGE (4 PIECES) | | | |
| - 8 | 1011466 | 1 | SHOE RETAINER KIT | | | |
| - 9 | 1011464 | 1 | BRAKE SPRING PACKAGE | | | |
| - 10 | 1011297 | 2 | ARM, BRAKE LEVER | | | |
| - 11 | 1010829 | 2 | PIN, 5/16" CLEVIS | | | |
| - 12 | 1035 | 2 | PIN, COTTER | | | |
| - 13 | 1010850 | 2 | COVER, DUST | | | |
| - 14 | 1011303 | 2 | CAP, ADJUSTMENT BOLT | | | |
| - 15 | 1013207 | 2 | BRAKE CABLE HANGER | | | |



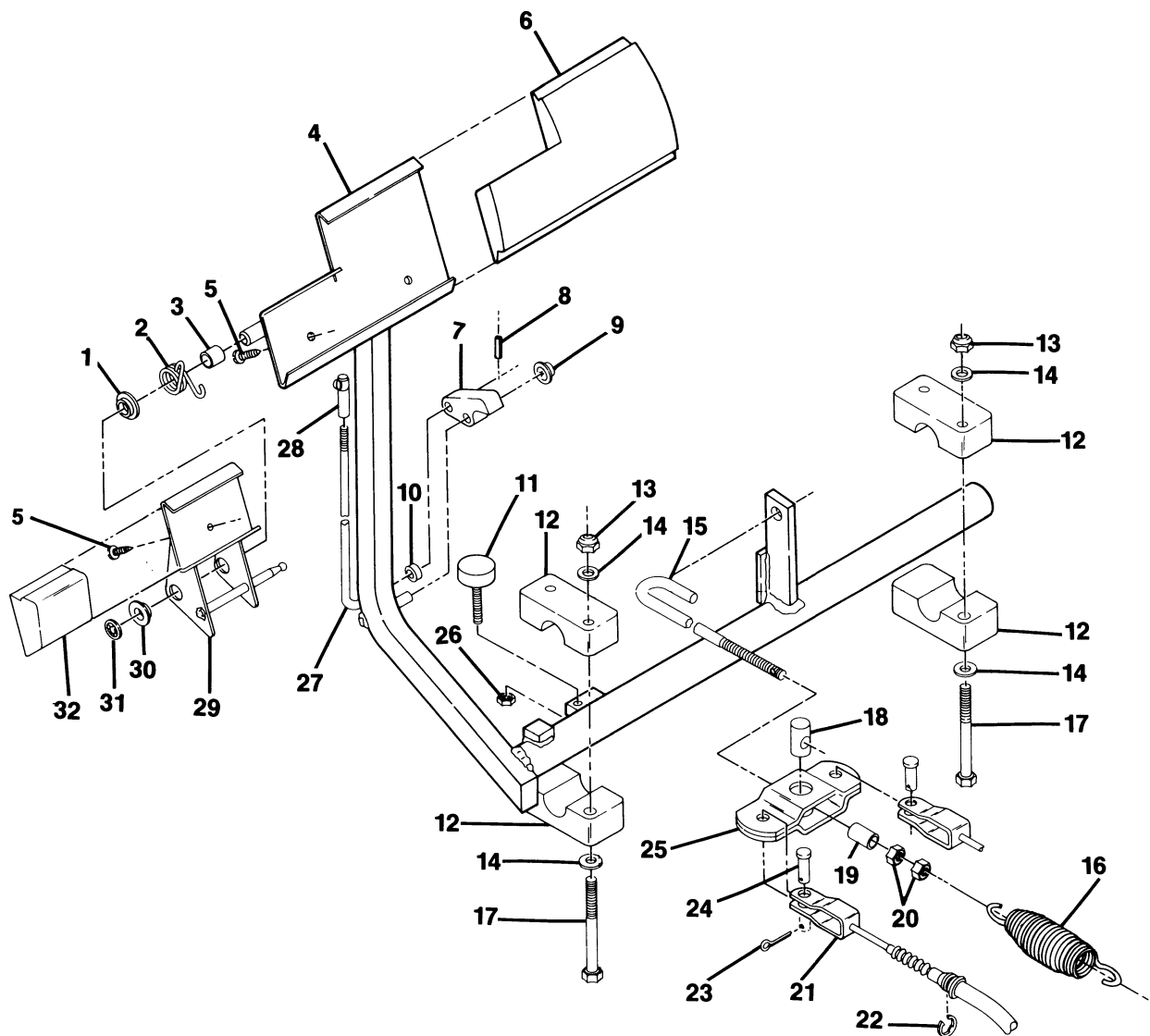


FIGURE 4-2. BRAKE PEDAL AND CABLE ASSEMBLY. SEE LIST 4-2.

BRAKE PEDAL AND CABLE ASSEMBLY

| FIGURE- ITEM NUMBER | PART NUMBER | UNITS PER ASM | DESCRIPTION | | | |
|---------------------------|----------------|---------------------|---|---|---|---|
| | | | 1 | 2 | 3 | 4 |
| 2 - | NO # | 1 | BRAKE PEDAL AND CABLE ASSEMBLY FOR ILLUSTRATION SEE FIGURE 4-2 | | | |
| - 1 | 1032 | 2 | NYLON BUSHING | | | |
| - 2 | 1010933 | 1 | TORSION SPRING | | | |
| - 3 | 1010927 | 1 | HILL BRAKE SPACER | | | |
| - 4 | 1011406 | 1 | BRAKE PEDAL KIT INCLUDES ITEMS 5 & 6 | | | |
| - 5 | 7716 | 6 | SCREW, NO. 10-16 SHEET METAL | | | |
| - 6 | 1013869 | 1 | BRAKE PEDAL PAD | | | |
| - 7 | 1016173 | 1 | HILL BRAKE ROD AND PAWL KIT INCLUDES ITEMS 7 8, 9, 10 AND 27 | | | |
| - 8 | 1013591 | 1 | 1/8" ROLL PIN | | | |
| - 9 | 1010877 | 1 | NUT, 5/16 PUSH | | | |
| - 10 | 1010805 | 1 | HILL BRAKE ROD SLEEVE | | | |
| - 11 | 1010878 | 1 | BRAKE STOP | | | |
| - 12 | 1011402 | 1 | BRAKE MOUNTING BLOCK PACKAGE | | | |
| - 13 | 7473 | 4 | NUT, 5/16-18 NYLON LOCK | | | |
| - 14 | 1241 | 8 | WASHER, 5/16 FLAT | | | |
| - 15 | 1010808 | 1 | EQUALIZER ROD | | | |
| - 16 | 1013532 | 1 | SPRING, BRAKE RETURN TORSION | | | |
| - 17 | 1010921 | 4 | BOLT, 5/16-18 HEX | | | |
| - 18 | 1010814 | 1 | PIN, EQUALIZER PIVOT | | | |
| - 19 | 1013855 | 1 | SPACER EQUALIZER | | | |
| - 20 | 1242 | 2 | NUT, 5/16-18 HEX | | | |
| - 21 | 1011403 | 2 | BRAKE CABLE KIT INCLUDES ITEMS 22, 23, 24 | | | |
| - 22 | 1011779 | 4 | RING, "E" | | | |
| - 23 | 1035 | 2 | PIN, COTTER | | | |
| - 24 | 1010829 | 2 | PIN, 5/16 CLEVIS | | | |
| - 25 | 1010809 | 1 | EQUALIZER WELD ASSEMBLY | | | |
| - 26 | 1028 | 1 | NUT, 1/4-20 HEX | | | |
| - 27 | 1010804 | 1 | ROD, HILL BRAKE | | | |
| - 28 | 1010932 | 1 | BALL JOINT, 1/4-28 | | | |
| - 29 | 1011418 | 1 | HILL BRAKE KIT INCLUDES ITEMS 1, 5, 29, 30, 31 | | | |
| - 30 | 1013876 | 1 | NUT, 3/8 PUSH | | | |
| - 31 | 1013870 | 1 | PAD, HILL BRAKE | | | |



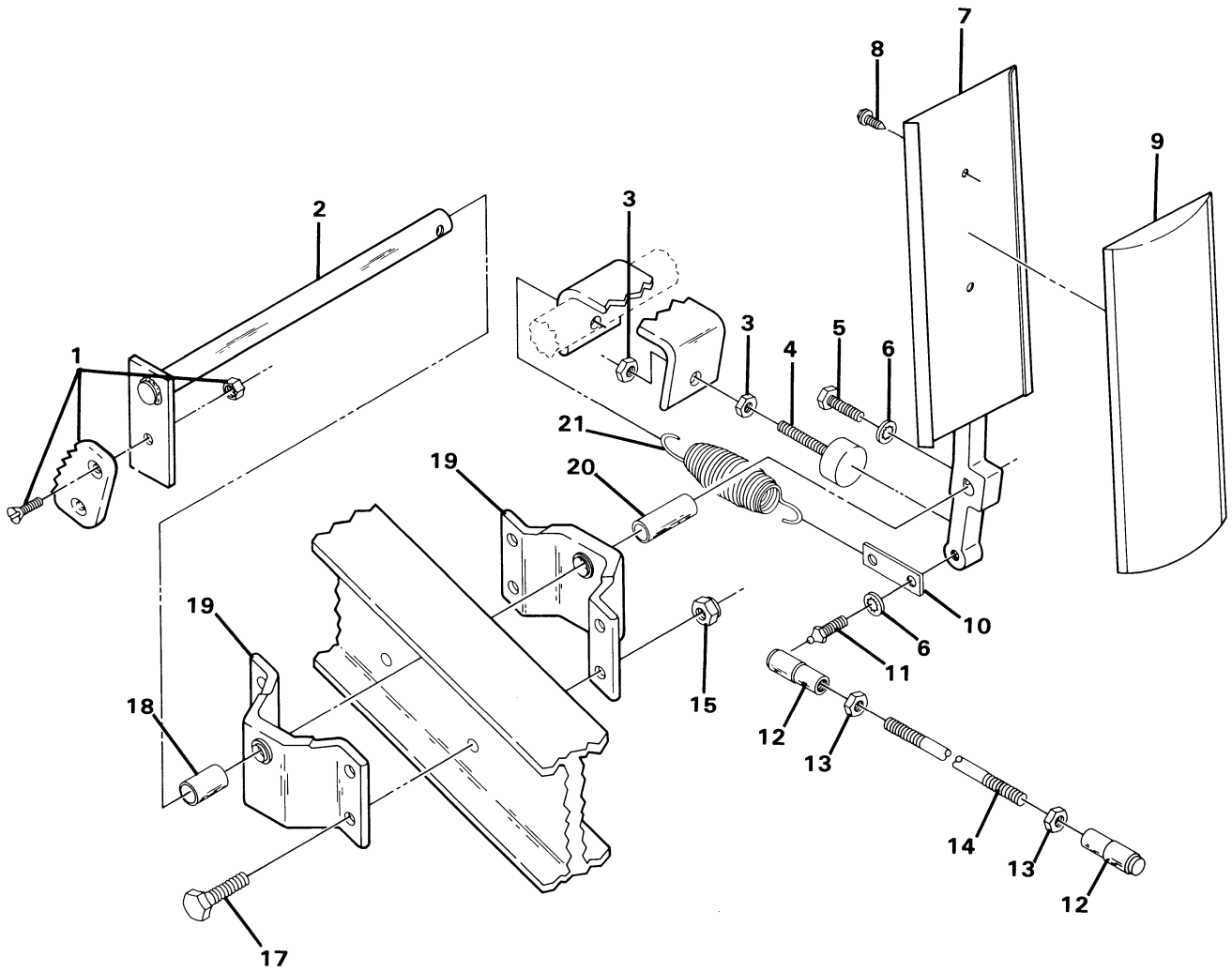


FIGURE 4-3. ACCELERATOR PEDAL ASSEMBLY. SEE LIST 4-3.

ACCELERATOR PEDAL ASSEMBLY

| FIGURE- ITEM NUMBER | PART NUMBER | UNITS PER ASM | DESCRIPTION | | | |
|---------------------------|----------------|---------------------|---|---|---|---|
| | | | 1 | 2 | 3 | 4 |
| 3 - | NO # | 1 | ACCELERATOR PEDAL ASSEMBLY FOR ILLUSTRATION SEE FIGURE 4-3 | | | |
| - 1 | 1011877 | 1 | LATCH, HILL BRAKE | | | |
| - 2 | 1016116 | 1 | ROD, ACCELERATOR PIVOT | | | |
| - 3 | 1028 | 2 | NUT, 1/4-20 HEX | | | |
| - 4 | 1010878 | 1 | STOP, BRAKE | | | |
| - 5 | 403 | 1 | BOLT, 1/4-20 HEX | | | |
| - 6 | 8304 | 1 | WASHER, 1/4" INT TOOTH LOCK | | | |
| - 7 | 1010969 | 1 | ACCELERATOR PEDAL, ASSEMBLY INCLUDES ITEMS 8, 9, 10, 11 | | | |
| - 8 | 7716 | 4 | SCREW, #10-16 SHEET METAL | | | |
| - 9 | 1013871 | 1 | PAD, ACCELERATOR | | | |
| - 10 | 1011691 | 1 | HANGER, ACCELERATOR PEDAL SPRING | | | |
| - 11 | 1010954 | 1 | BALL STUD, 1/4-28 | | | |
| - 12 | 1011734 | 2 | BALL JOINT, 1/4-28 SPRING LOADED | | | |
| - 13 | 1011084 | 2 | NUT, 1/4-28 JAM | | | |
| - 14 | 1012319 | 1 | ROD, ACCELERATOR | | | |
| - 15 | 8233 | 4 | LOCKNUT, 1/4-20 NYLON | | | |
| - 16 | 1012075 | 1 | SPRING, EXTENSION | | | |
| - 17 | 7479 | 4 | BOLT, 1/4-20 HEX | | | |
| - 18 | 1011699 | 1 | SPACER, 1/2 | | | |
| - 19 | 1011694 | 2 | BRACKET, ACCELERATOR BEARING | | | |
| - 20 | 1011700 | 1 | SPACER, ACCELERATOR | | | |



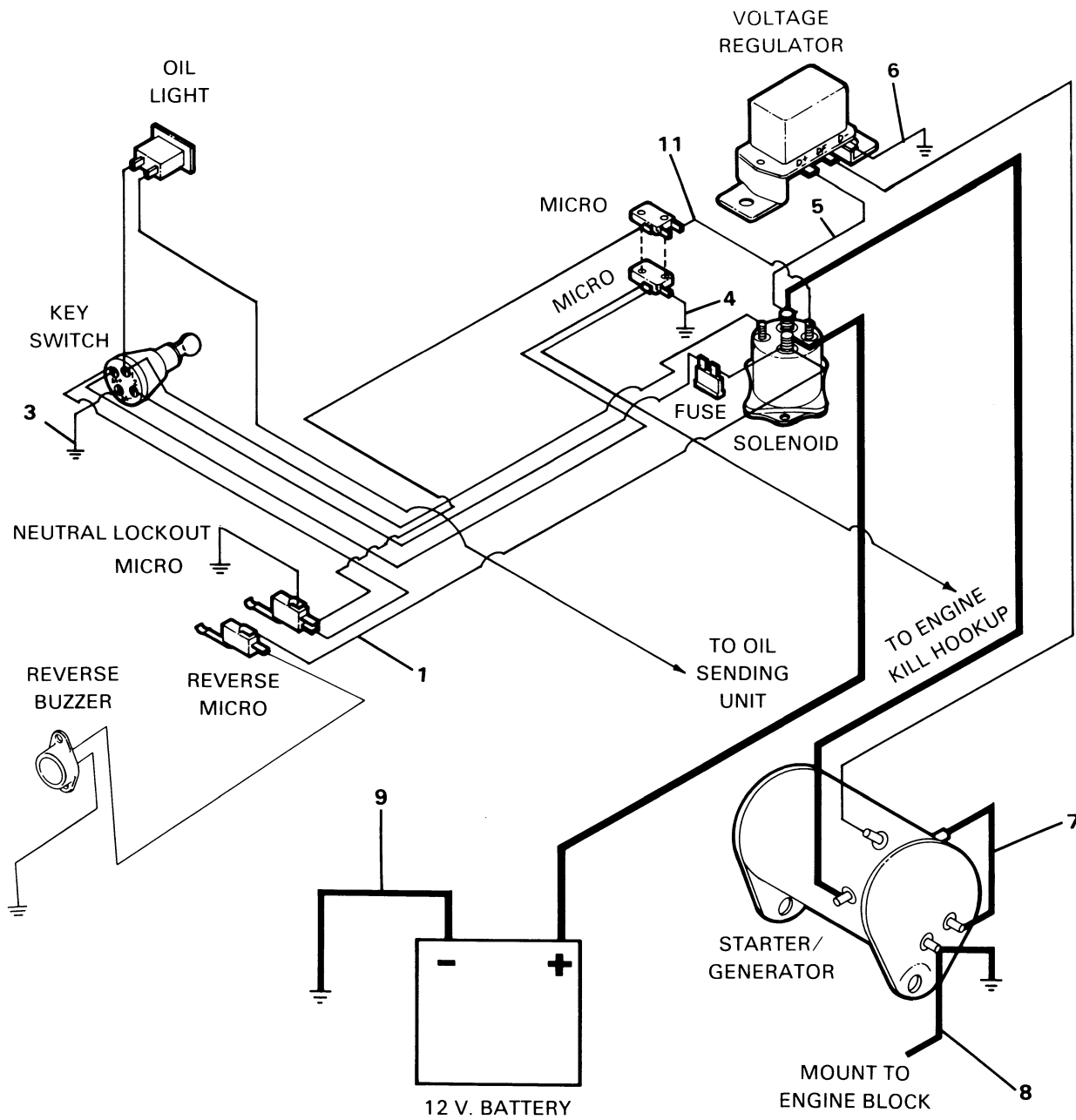
1087A00000

Manual No. 1014475 - Issue Date 10/87

Effective Serial No. AG8414-53441 thru _____



Section V
ELECTRICAL SYSTEM



**NOTE: ALL WIRES NOT LISTED ARE INCLUDED
IN WIRE HARNESS P/N 1014118**

FIGURE 5-1. FINAL ASSEMBLY, WIRING DIAGRAM, GAS CAR. SEE LIST 5-1.

FINAL ASSEMBLY, WIRING DIAGRAM, GAS CAR

| FIGURE- ITEM NUMBER | PART NUMBER | UNITS PER ASM | DESCRIPTION | | | |
|---------------------------|----------------|---------------------|---|---|---|---|
| | | | 1 | 2 | 3 | 4 |
| 1 - | NO # | 1 | FINAL ASSEMBLY WIRING DIAGRAM, GAS CAR FOR ILLUSTRATION SEE FIGURE 5-1 | | | |
| - 1 | 1014118 | 1 | WIRE HARNESS | | | |
| - 3 | 1012396 | 1 | WIRE ASSEMBLY, #18 BLACK | | | |
| - 4 | 1012397 | 1 | WIRE ASSEMBLY, #18 BLACK | | | |
| - 5 | 1012386 | 1 | WIRE ASSEMBLY, #10 RED | | | |
| - 6 | 1012388 | 1 | WIRE ASSEMBLY, #10 BLACK | | | |
| - 7 | 1012384 | 1 | WIRE ASSEMBLY, #6 BLACK | | | |
| - 8 | 1012385 | 1 | WIRE ASSEMBLY, #6 BLACK | | | |
| - 9 | 1012382 | 1 | WIRE ASSEMBLY, #6 BLACK | | | |
| - 11 | 1013600 | 1 | WIRE ASSEMBLY, #18 ORANGE | | | |



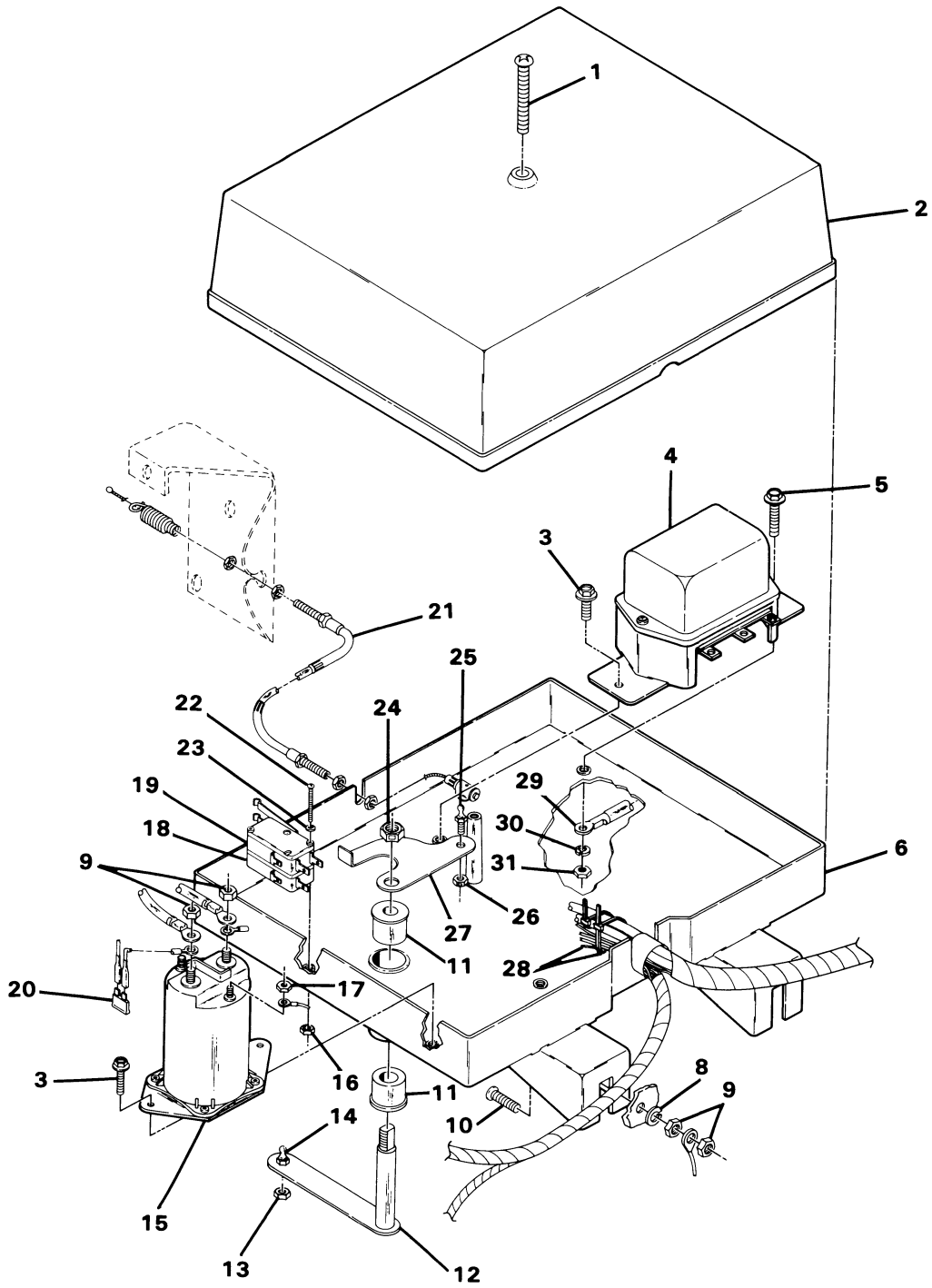


FIGURE 5-2. ELECTRICAL COMPONENT BOX ASSEMBLY. SEE LIST 5-2.

ELECTRICAL COMPONENT BOX ASSEMBLY

| FIGURE- ITEM NUMBER | PART NUMBER | UNITS PER ASM | DESCRIPTION | | | |
|---------------------------|----------------|---------------------|--|---|---|---|
| | | | 1 | 2 | 3 | 4 |
| 2 - | NO # | 1 | ELECTRICAL COMPONENT BOX WITH WIRE HARNESS INCLUDES ALL ITEMS EXCEPT 8, 9, 10 AND 21 FOR ILLUSTRATION SEE FIGURE 5-2 | | | |
| - 1 | 1013176 | 1 | SCREW PHILLIPS TRUSS HEAD, 1/4-20 X 2-1/2 | | | |
| - 2 | 1012274 | 1 | ELECTRICAL COMPONENT TRAY COVER | | | |
| - 3 | 1012285 | 3 | 1/4-20 UNC X 5/8 THREAD ROLLING SCREW | | | |
| - 4 | 1012422 | 1 | VOLTAGE REGULATOR | | | |
| - 5 | 1013662 | 1 | 1/4-20 X 1-1/4 THREAD FORM SCREW | | | |
| - 6 | 1013073 | 1 | ELECTRICAL COMPONENT BOX INCLUDES ITEM 11 | | | |
| - 8 | 7174 | 2 | LOCKWASHER, 5/16 | | | |
| - 9 | 1242 | 6 | HEX NUT, 5/16-18 | | | |
| - 10 | 1010435 | 2 | CARRIAGE BOLT, 5/16-18 X 1.00 | | | |
| - 11 | 7719 | 2 | BRONZE BUSHING, 1/2 ID X 5/8 OD X 3/4 LONG | | | |
| - 12 | 1012269 | 1 | ELECTRICAL BOX BELL CRANK SHAFT | | | |
| - 13 | 8717 | 1 | INSERT LOCKNUT, 1/4-28 UNF NYLON | | | |
| - 14 | 1010954 | 1 | BALL STUD, 1/4-28 UNF | | | |
| - 15 | 1013609 | 1 | 12 VOLT SOLENOID | | | |
| - 16 | 8057 | 2 | HEX NUT, #4-40 | | | |
| - 17 | 7893 | 2 | HEX NUT, #10-32 | | | |
| - 18 | 1014808 | 1 | LIMIT SWITCH | | | |
| - 19 | 1014807 | 1 | LIMIT SWITCH | | | |
| - 20 | 1012295 | 1 | 10 AMP FUSE | | | |
| - 21 | 1013158 | 1 | ACCELERATOR CABLE | | | |
| - 22 | 1012594 | 2 | MACHINE SCREW, #4-40 X 1-1/2 | | | |
| - 23 | 8058 | 2 | LOCKWASHER, #4 | | | |
| - 24 | 1010138 | 1 | DIMPLED LOCKNUT, 3/8-16 UNC | | | |
| - 25 | 1012353 | 1 | BALL STUD, 1/4-28 UNF | | | |
| - 26 | 8449 | 1 | DIMPLED LOCKNUT, 1/4-28 | | | |
| - 27 | 1012272 | 1 | ELECTRICAL BOX UPPER BELLCRANK | | | |
| - 28 | 8990 | 1 | TIE WRAP | | | |
| - 29 | 1013663 | 1 | GROUND WIRE ASSEMBLY | | | |
| - 30 | 451 | 1 | 1/4 LOCKWASHER | | | |
| - 31 | 1028 | 1 | 1/4-20 HEX NUT | | | |





Section VI

ACCESSORIES

ACCESSORIES INDEX

ACCESSORIES ILLUSTRATED

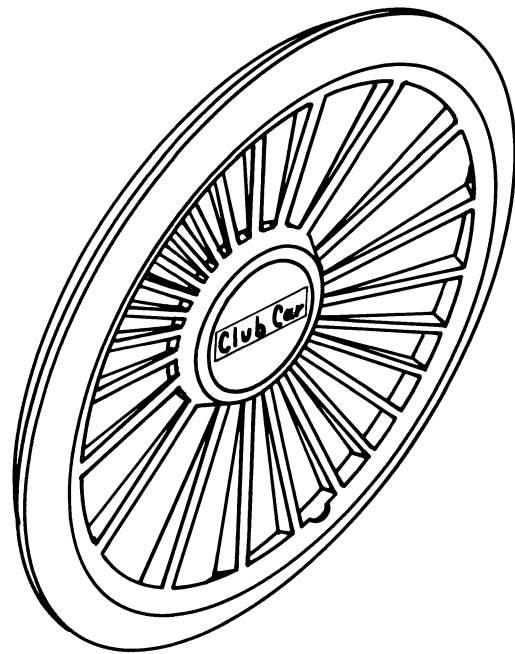
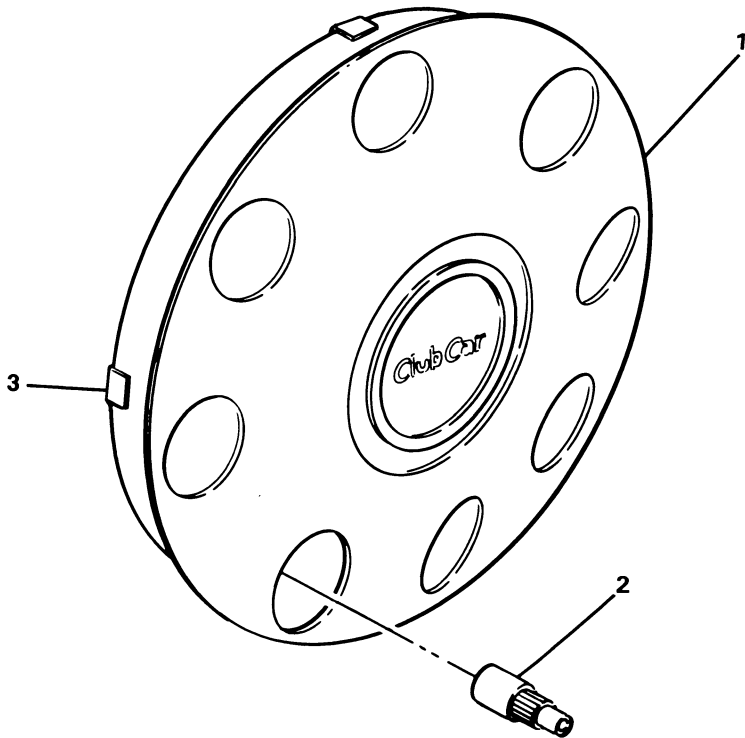
| DESCRIPTION | PAGE NO. |
|--|-----------------|
| Figure 6-1. Wheel Cover | 6-2 |
| Figure 6-2. Rake Holder | 6-3 |
| Figure 6-3. Sweater Basket | 6-4 |
| Figure 6-4. AM/FM Stereo Radio | 6-5 |
| Figure 6-5. Four-Passenger Conversion Kit | 6-6 |
| Figure 6-6. Sports Canopy Windshield | 6-8 |
| Figure 6-7. Canopy (4-Passenger) | 6-10 |
| Figure 6-8. Sports Canopy (Standard DS) | 6-12 |
| Figure 6-9. Two-Bag Attachment Kit (4-Passenger) | 6-14 |
| Figure 6-10. Four-Bag Attachment Kit (2-Passenger) | 6-16 |
| Figure 6-11. Trailer Hitch | 6-18 |
| Figure 6-12. Permanent Type Towing | 6-20 |
| Figure 6-13. Light Duty Tow Bar | 6-22 |
| Figure 6-14. Lighting Package | 6-24 |

ACCESSORIES NOT ILLUSTRATED

| DESCRIPTION | PART NO. |
|---|-----------------|
| Sandbucket Kit (Tan) | 1013173 |
| Sandbucket Kit (Black) | 1016049 |
| Number Decal - Rectangular | 1012173 |
| Ice Chest | 1011933 |
| Ashtray Kit | 1011230 |
| Woodgrain Decal Kit | 1012091 |
| Metallic Gold Pin Stripe Kit (50' Roll) | 1011179 |
| Bagwell Protector Kit | 1014725 |
| Rear View Mirror Kit | 1011524 |
| Information Holder | 1014825 |
| Snap-On Tee Holder | 1013122 |
| Hubodometer and Mounting Bracket | 1010282 |
| Hourmeter Kit, 12 Volt | 1013578 |
| Enclosure, Std. Car | 1013132 |
| Enclosure, 4-Passenger | 1011517 |
| Scuffguard Kit | 1014851 |
| Ball Picker Brace | 1015807 |
| Sand Bottle Installed (Beige) | 1015023-02 |
| Sand Bottle Installed (White) | 1015023-04 |

FIGURE 6-1A. WHEEL COVER (FLAT).

FIGURE 6-1B. WHEEL COVER (RIBBED SPORT).



FIGURES 6-1A AND 6-1B. WHEEL COVERS (FLAT AND RIBBED SPORT). SEE LISTS 6-1A AND 6-1B.

| FIGURE-ITEM NUMBER | PART NUMBER | UNITS PER ASM | DESCRIPTION | | | |
|--------------------|-------------|---------------|--|---|---|---|
| | | | 1 | 2 | 3 | 4 |
| 1A - | 1012642 | 4 | FLAT WHEEL COVER KIT INCLUDES ITEMS 1 AND 2 | | | |
| - 1 | NO # | 1 | FLAT WHEEL COVER | | | |
| - 2 | 1012641 | 1 | AIR VALVE EXTENSION | | | |
| - 3 | 1014452 | A/R | HUBCAP CLIP | | | |
| 1B - | 1014964 | 4 | WHEEL COVER (RIBBED SPORT) | | | |

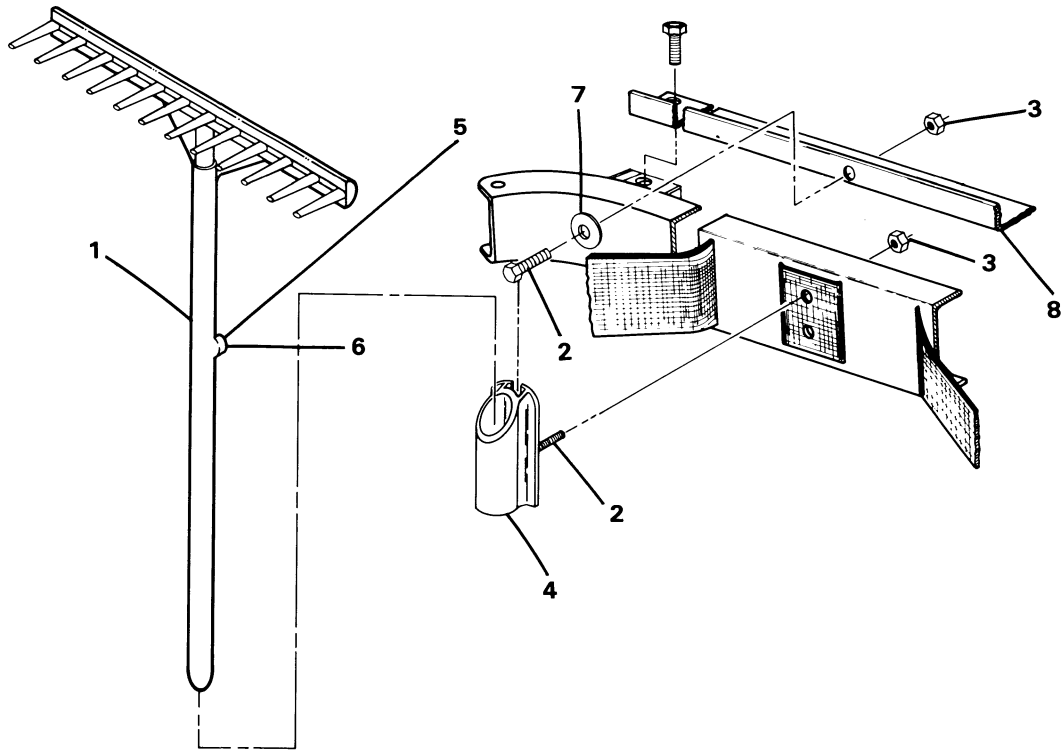


FIGURE 6-2. RAKE HOLDER. SEE LIST 6-2.

| FIGURE- ITEM NUMBER | PART NUMBER | UNITS PER ASM | DESCRIPTION | | | |
|---------------------------|----------------|---------------------|-------------|---|---|---|
| | | | 1 | 2 | 3 | 4 |
| 2 - | 1010408 | | | | | RAKE AND RAKE HOLDER KIT INCLUDES ITEMS 1 THRU 4 |
| - 1 | 1010236 | 1 | | | | RAKE ASSEMBLY |
| - 2 | 7847 | 2 | | | | BOLT 1/4-20 UNC x 3/4 HEX HEAD |
| - 3 | 8233 | 2 | | | | NUT, 1/4-20 LOCK |
| - 4 | 1013665 | 1 | | | | RAKE HOLDER KIT INCLUDES ITEMS 2 AND 3 |
| - 5 | 1012565 | 1 | | | | #12 PHILLIPS HEAD SCREW |
| - 6 | 1010237 | 1 | | | | RAKE HANDLE STOP |
| - 7 | 1011697 | 1 | | | | FLATWASHER, WIDE |
| - 8 | 1014402 | 1 | | | | MOUNTING BRACKET |



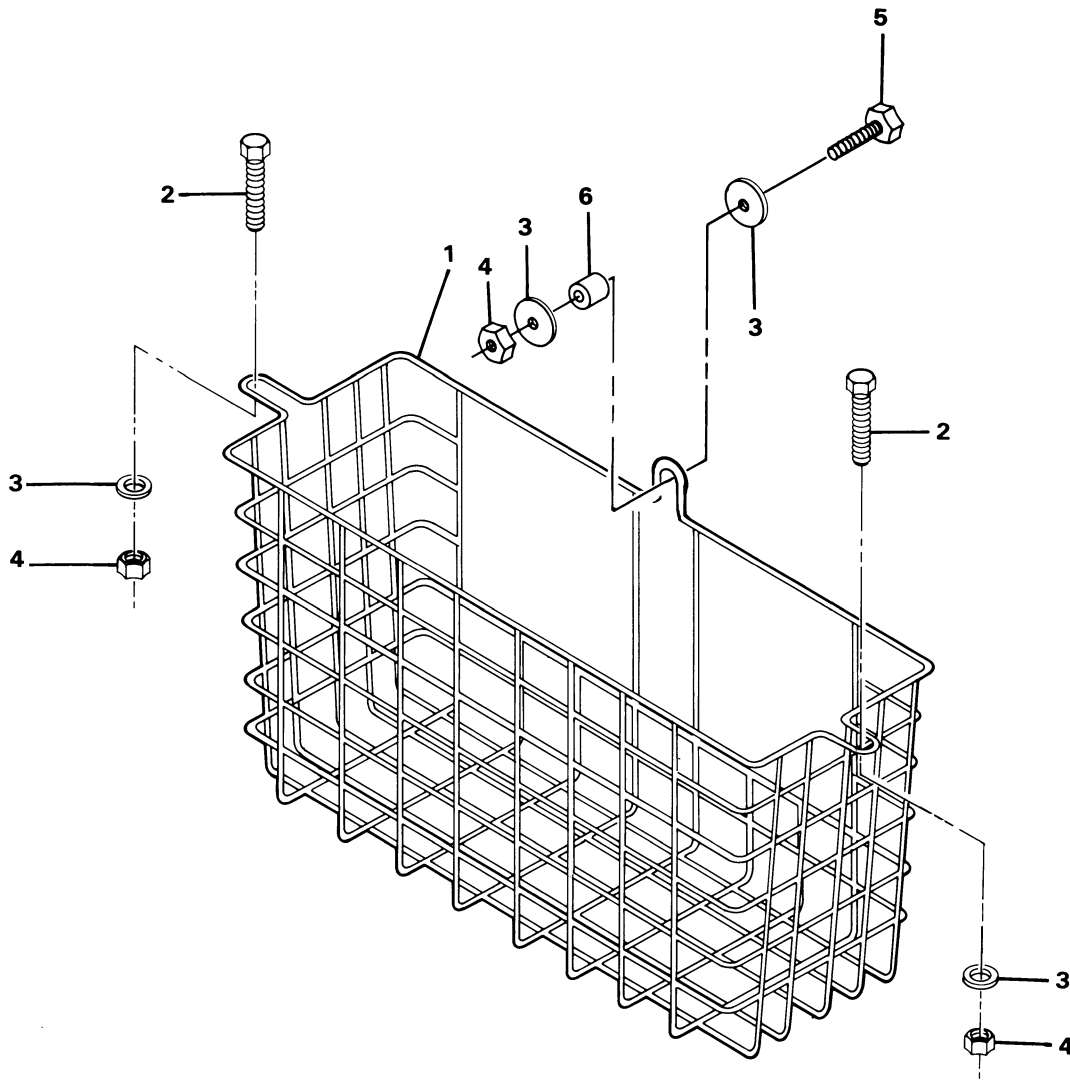


FIGURE 6-3. SWEATER BASKET. SEE LIST 6-3.

| FIGURE- ITEM NUMBER | PART NUMBER | UNITS PER ASM | DESCRIPTION | | | |
|---------------------------|----------------|---------------------|---|---|---|---|
| | | | 1 | 2 | 3 | 4 |
| 3 - | 1014460 | | SWEATER BASKET KIT INCLUDES ITEMS 1 THRU 6 | | | |
| - 1 | NO # | 1 | SWEATER BASKET | | | |
| - 2 | 304 | 2 | BOLT, HEX HEAD 1/4-20 x 1" | | | |
| - 3 | 1011697 | 4 | FLATWASHER, WIDE | | | |
| - 4 | 8233 | 3 | LOCKNUT, NYLON, 1/4-20 | | | |
| - 5 | 8418 | 1 | BOLT, HEX HEAD 1/4-20 x 1 1/2" | | | |
| - 6 | 1014482 | 1 | SPACER | | | |

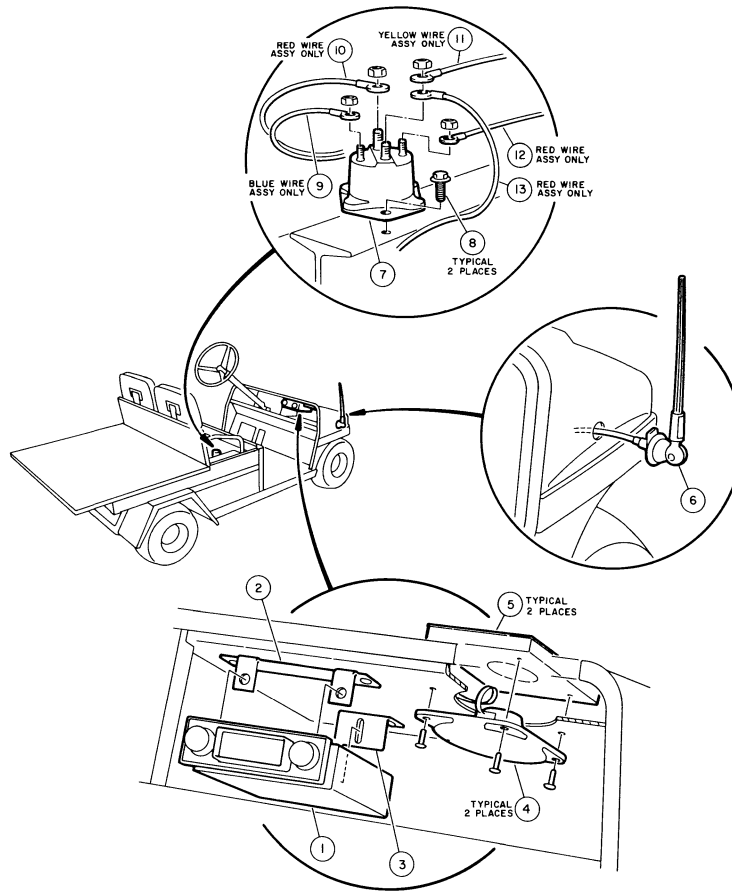


FIGURE 6-4. AM/FM STEREO RADIO. SEE LIST 6-4.

| FIGURE-ITEM NUMBER | PART NUMBER | UNITS PER ASM | DESCRIPTION | | | |
|--------------------|-----------------|---------------|--|---|---|---|
| | | | 1 | 2 | 3 | 4 |
| 4 - | 1011658 | 1 | AM/FM STEREO RADIO KIT INCLUDES ITEMS 1 THRU 23 | | | |
| - 1 | 1015204 | 1 | RADIO | | | |
| - 2 | 1015178 | 1 | FRONT MOUNTING BRACKET | | | |
| - 3 | 1015176 | 1 | REAR MOUNTING BRACKET | | | |
| - 4 | 1014534 | 1 | SPEAKERS INCLUDES 2 SPEAKERS WITH MOUNTING HARDWARE | | | |
| - 5 | 1011696 | 2 | SPEAKER INSULATION | | | |
| - 6 | 1015508 | 1 | RADIO ANTENNA INCLUDES MOUNTING HARDWARE | | | |
| - 7 | 8016 | 1 | SOLENOID | | | |
| - 8 | 1012285 | 2 | HEX WASH HEAD SCREW, 1/4-20 X 5/8" | | | |
| - 9 | 1015206 | 1 | BLUE WIRE ASSEMBLY, 63" | | | |
| - 10 | 1015183 | 1 | RED WIRE ASSEMBLY, 62" | | | |
| - 11 | 1015184 | 1 | YELLOW WIRE ASSEMBLY, 62" | | | |
| - 12 | 1015205 | 1 | RED WIRE ASSEMBLY, 12" | | | |
| - 13 | 1015207 NO # | 1 | RED WIRE ASSEMBLY, 36" | | | |
| - 14 | 1015185 | 2 | MISC. INSTALLATION HARDWARE NOT SHOWN ON ILLUSTRATION | | | |
| - 15 | 8104 | 2 | WIRE NUT | | | |
| - 16 | 183 | 3 | SLOT ROUND HEAD SCREW, #10-32 X 3/4" | | | |
| - 17 | 8049 | 2 | FLATWASHER, #10 | | | |
| - 18 | 7893 | 2 | INTERNAL TOOTH LOCKWASHER, #10 | | | |
| - 19 | 8248 | 2 | HEX NUT, #10-32 | | | |
| - 20 | 1014306 | 2 | PHILLIPS TRUSS HEAD SCREW, 1/4-20 X 3/4" | | | |
| - 21 | 451 | 2 | WIDE FLATWASHER, 1/4" DIAMETER | | | |
| - 22 | 1028 | 2 | LOCKWASHER, 1/4" DIAMETER | | | |
| - 23 | 8990 | 4 | HEX NUT, 1/4-20 WIRE TIE | | | |



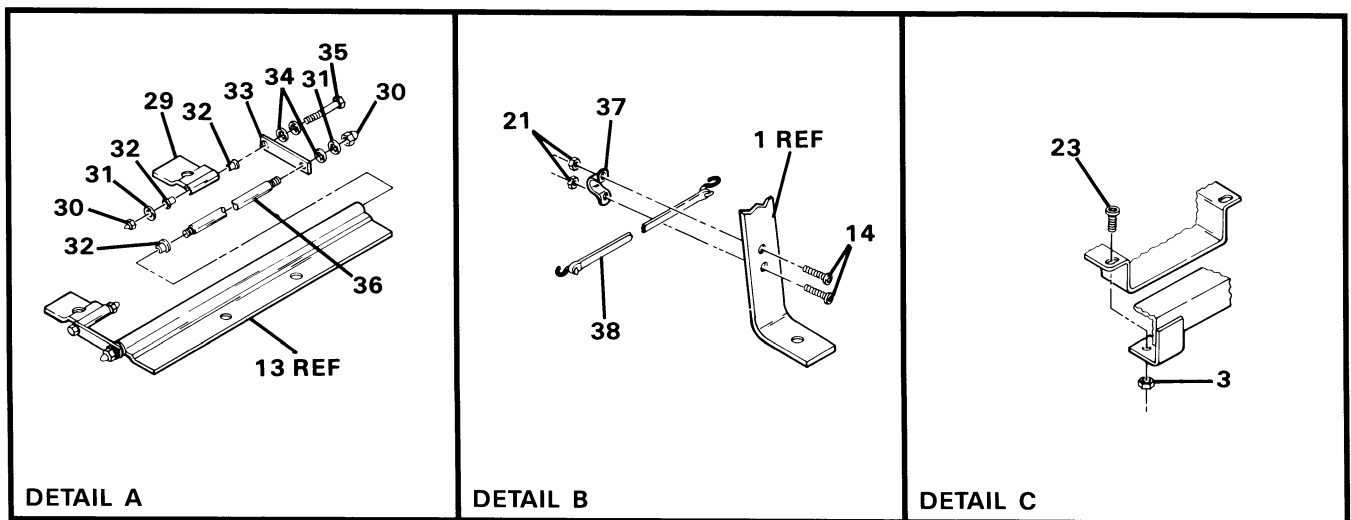
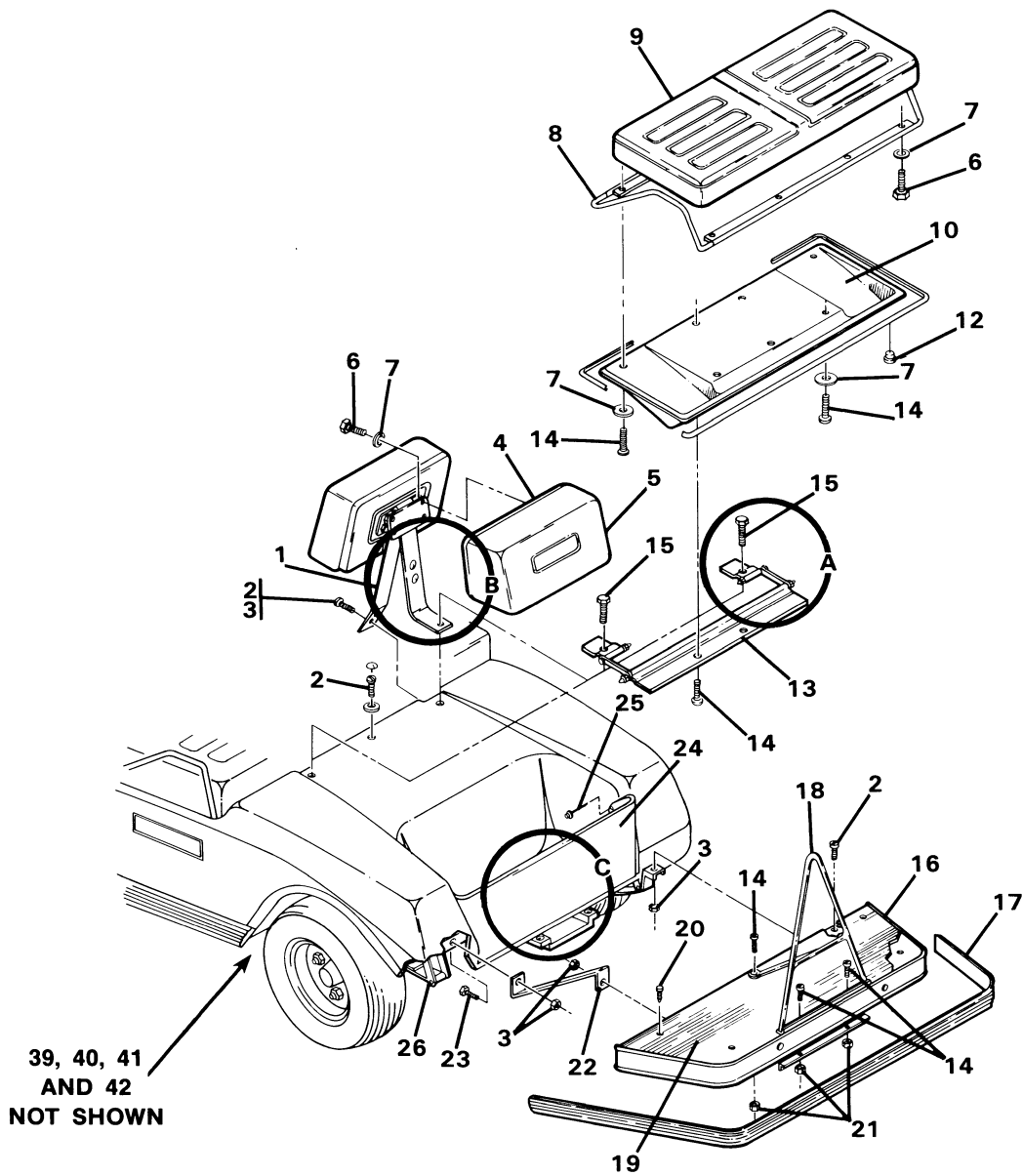


FIGURE 6-5. FOUR PASSENGER CONVERSION KIT. SEE LIST 6-5.

FOUR PASSENGER CONVERSION KIT

| FIGURE- ITEM NUMBER | PART NUMBER | UNITS PER ASM | DESCRIPTION | | | |
|---------------------------|----------------|---------------------|-------------|---|---|--|
| | | | 1 | 2 | 3 | 4 |
| 5 - | 1014183 | 1 | | | | FOUR-PASSENGER CONVERSION KIT (BUFF SEAT) |
| - | 1011513 | 1 | | | | FOUR-PASSENGER CONVERSION KIT (WHITE SEAT) |
| - 1 | 1011182 | 2 | | | | SEAT BACK SUPPORT ASSEMBLY |
| - 2 | 7410 | 2 | | | | SCREW, PHILLIPS TRUSS HEAD, 5/16-18 x 1-1/4" |
| - 3 | 7473 | 12 | | | | LOCKNUT, NYLON, 5/16-18 |
| - 4 | 1013938 | 4 | | | | SEAT BACK CAP (TAN) |
| - 4 | 1011231 | 4 | | | | SEAT BACK CAP (BEIGE) |
| - 4 | 1013335 | 4 | | | | SEAT BACK CAP (BLACK) |
| - 5 | 1015651-01 | 4 | | | | SEAT BACK ASSEMBLY (BUFF WITH TAN CAP) |
| - 5 | 1015651-02 | 4 | | | | SEAT BACK ASSEMBLY (WHITE WITH BLACK CAP) |
| - 5 | 1015651-03 | 4 | | | | SEAT BACK ASSEMBLY (NON-STANDARD WITH BLACK CAP) |
| - 5 | 1015651-04 | 4 | | | | SEAT BACK ASSEMBLY (WHITE WITH BEIGE CAP) |
| - 6 | 304 | 20 | | | | BOLT, HEX HEAD, 1/4-20 x 1" |
| - 7 | 8304 | 20 | | | | LOCKWASHER, INTERNAL TOOTH, 1/4" |
| - 8 | 1015671 | 1 | | | | ARMREST ASSEMBLY, SEAT BOTTOM KIT |
| - 9 | 1015648-01 | 1 | | | | SEAT BOTTOM ASSEMBLY (BUFF) |
| - 9 | 1015648-02 | 1 | | | | SEAT BOTTOM ASSEMBLY (WHITE) |
| - 9 | 1015648-03 | 1 | | | | SEAT BOTTOM ASSEMBLY (NON-STANDARD) |
| - 10 | 1011210 | 1 | | | | SEAT SUPPORT |
| - 12 | 1011389 | 1 | | | | RUBBER BUMPER PACKAGE |
| - 13 | 1011220 | 1 | | | | HINGE (LONG) |
| - 14 | 8251 | 14 | | | | SCREW, PHILLIPS TRUSS HEAD, 1/4-20 x 1" |
| - 15 | 1010577 | 2 | | | | BOLT, HEX HEAD, 5/16-18 x 1-1/2" |
| - 16 | 1011190 | 1 | | | | FOOTREST WELD ASSEMBLY |
| - 17 | 1011207 | 1 | | | | BUMPER GUARD |
| - 18 | 1011309 | 1 | | | | HANDRAIL |
| - 19 | 1014998 | 1 | | | | FOOTREST MAT |
| - 20 | 1010434 | 4 | | | | PLASTIC BARRELS |
| - 21 | 8233 | 7 | | | | LOCKNUT, NYLON 1/4-20 |
| - 22 | 1011204 | 2 | | | | CONNECTING BAR |
| - 23 | 1218 | 8 | | | | BOLT, HEX HEAD, 5/16-18 x 1-1/4" |
| - 24 | 1011348 | 1 | | | | REAR PANEL |
| - 25 | 7532 | 4 | | | | POP RIVET, 3/16" |
| - 26 | 1014675 | 2 | | | | SPRING REAR (CRI, 4 PASS) |
| - 29 | 1011221 | 2 | | | | HINGE (SHORT) |
| - 30 | 1010628 | 4 | | | | NUT, CENTERLOCK CAP |
| - 31 | 1010695 | 6 | | | | CURVED SPRING WASHER |
| - 32 | 8028 | 6 | | | | NYLON BUSHING |
| - 33 | 1011224 | 2 | | | | HINGE LINKAGE ARM |
| - 34 | 332 | 2 | | | | FLATWASHER, 1/4" |
| - 35 | 1012159 | 2 | | | | BOLT, HEX HEAD, 1/4-20 x 2-3/4" |
| - 36 | 1011222 | 1 | | | | HINGE PIN (LONG) |
| - 37 | 1011235 | 2 | | | | CORD RETAINER |
| - 38 | 1011238 | 1 | | | | BUNGIE CORD — DIPPED |
| - 39 | 1014902 | 2 | | | | U-BOLT |
| - 40 | 1014549 | 2 | | | | BUMPER MOUNT |
| - 41 | 1014552 | 2 | | | | BUMPER |
| - 42 | 1014901 | 2 | | | | SPACER |
| - 43 | 1016072 | 1 | | | | 36 VOLT SOLENOID (NOT INCLUDED IN KIT) {NOT SHOWN} |
| - 44 | 1241 | 12 | | | | 5/16" FLATWASHER |



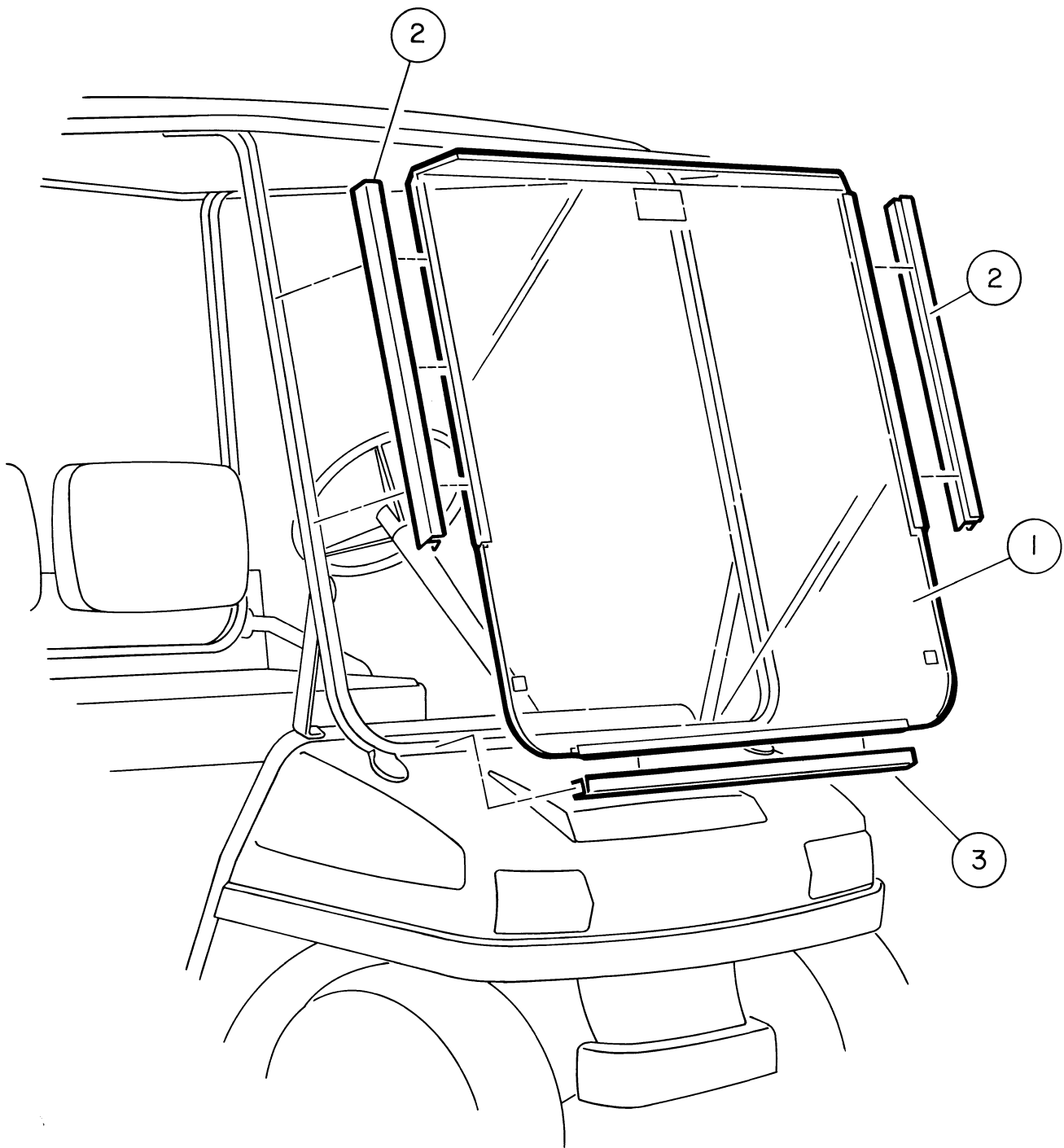


FIGURE 6-6. SPORTS CANOPY WINDSHIELD. SEE LIST 6-6.

SPORTS CANOPY WINDSHIELD

| FIGURE- ITEM NUMBER | PART NUMBER | UNITS PER ASM | 1 2 3 4 | DESCRIPTION |
|---------------------------|----------------|---------------------|---------|---|
| 6 - | 1014435 | 1 | | SPORTS CANOPY WINDSHIELD KIT INCLUDES ITEMS 1 THRU 5 |
| - 1 | NO # | 1 | | WINDSHIELD |
| - 2 | 1014441 | 2 | | WINDSHIELD CHANNEL (SIDES) |
| - 3 | 1014437 | 1 | | WINDSHIELD CHANNEL (BOTTOM) |
| - 4 | 1011897 | 2 | | BUMPER |
| - 5 | NO # | 1 | | VINYL SEALANT 30" (SEE ITEM 7) |
| - 6 | 1014436 | A/R | | VINYL TRIM EXTRUSION (ORDER BY FEET ONLY) |
| - 7 | NO # | 2 | | VINYL SEALANT 23" (SEE ITEM 7) |



CANOPY (4-PASSENGER)

| FIGURE- ITEM NUMBER | PART NUMBER | UNITS PER ASM | DESCRIPTION | | | |
|---------------------------|----------------|---------------------|-------------|---|---|--|
| | | | 1 | 2 | 3 | 4 |
| 7 - | 1014434 | 1 | | | | FOUR PASSENGER CANOPY KIT (BEIGE) |
| | 1014898 | 1 | | | | FOUR PASSENGER CANOPY KIT (WHITE) |
| - 1 | 1014423 | 1 | | | | CANOPY AND TRIM ASSEMBLY (BEIGE) |
| - 1 | 1014899 | 1 | | | | CANOPY AND TRIM ASSEMBLY (WHITE) |
| - 2 | 1014419 | 1 | | | | REAR CANOPY BRACE |
| - 3 | 1011868 | 1 | | | | WINDSHIELD FRAME ASSEMBLY |
| - 4 | 1011938 | 2 | | | | REAR CANOPY BRACE |
| - 5 | 1011862 | 1 | | | | KNEE BRACE — RIGHT |
| - 6 | 1011865 | 1 | | | | KNEE BRACE — LEFT |
| - 7 | 1011878 | 4 | | | | CAPPED TEENUT |
| - 8 | 1010237 | 4 | | | | BUSHING |
| - 9 | 1011964 | 4 | | | | 1/4" FLATWASHER |
| - 10 | 1703 | 4 | | | | 1/4-20 X 1.5 HEX HEAD BOLT |
| - 11 | 1011965 | 4 | | | | 1/4" LOCKWASHER |
| - 12 | 1014420 | 1 | | | | 4-PASSENGER MOUNTING HARDWARE KIT (* INDICATES ITEMS IN KIT) |



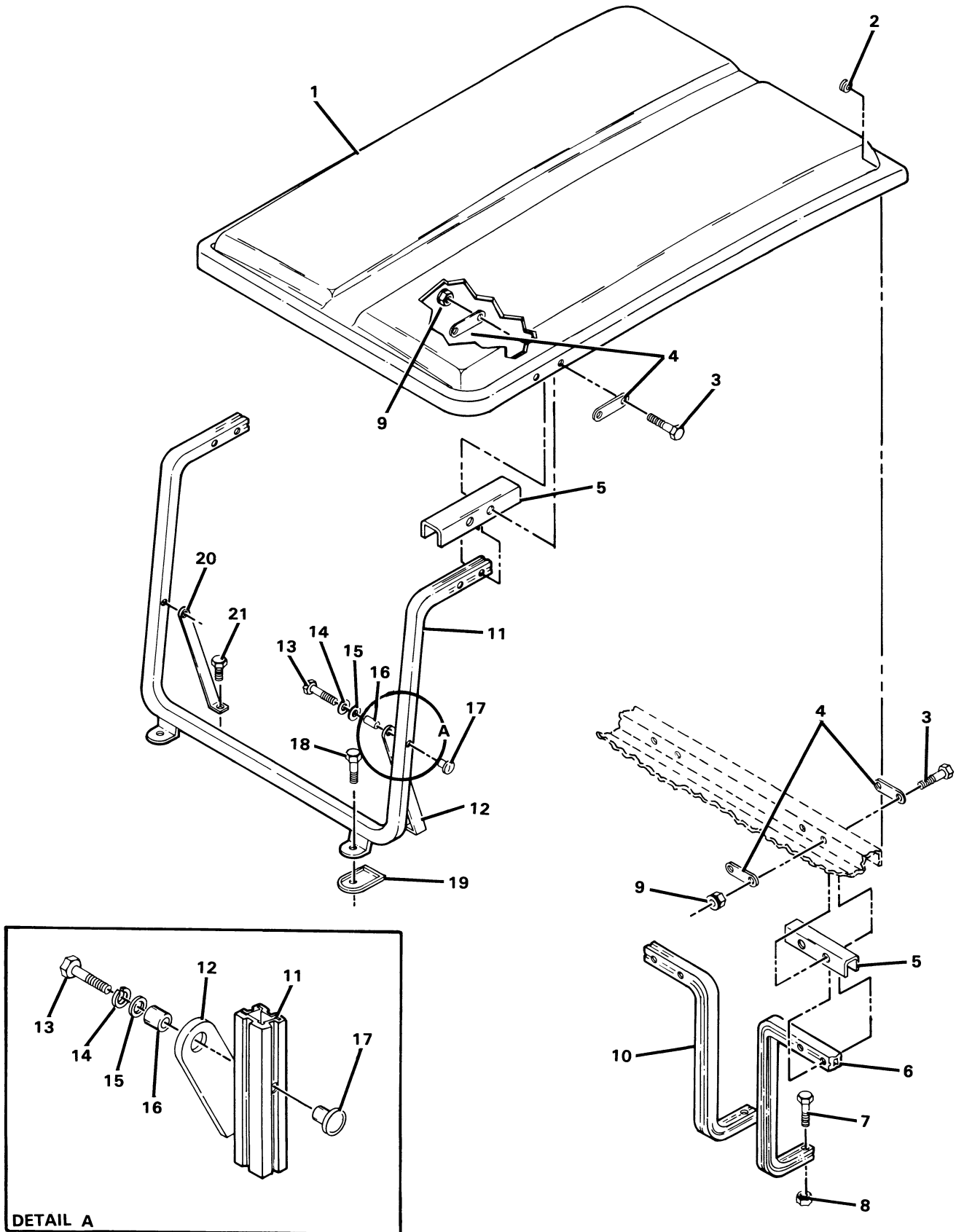


FIGURE 6-8. SPORTS CANOPY (STANDARD DS). SEE LIST 6-8.

SPORTS CANOPY (STANDARD DS)

| FIGURE- ITEM NUMBER | PART NUMBER | UNITS PER ASM | DESCRIPTION | | | |
|---------------------------|--------------------|---------------------|---|---|---|---|
| | | | 1 | 2 | 3 | 4 |
| 8 - | 1011886 1014538 | | SPORTS CANOPY (DS) KIT (BEIGE) SPORTS CANOPY (DS) KIT (WHITE) DOES NOT INCLUDE ITEMS 7 AND 8 FOR ILLUSTRATION, SEE FIGURE 6-10 | | | |
| - 1 | 1011871 | 1 | CANOPY ASSEMBLY (BEIGE) | | | |
| - 1 | 1014558 | 1 | CANOPY ASSEMBLY (WHITE) | | | |
| - 2 | 1011942 | 2 | MODIFIED GROMMET | | | |
| - 3 | 7311 | 8 | BOLT, HEX HEAD, 1/4-20 x 2" | | | |
| - 4 | 1011852 | 8 | CANOPY TRIM PLATE | | | |
| - 5 | 1012008 | 4 | SIDE CANOPY SUPPORT | | | |
| - 6 | 1011855 | 1 | LEFT REAR BRACE | | | |
| - 7 | 8916 | 2 | BOLT, HEX HEAD, 5/16-18 x 2" | | | |
| - 8 | 7473 | 2 | LOCKNUT, NYLON, 5/16-18 | | | |
| - 9 | 8233 | 8 | LOCKNUT, NYLON, 1/4-20 | | | |
| - 10 | 1011856 | 1 | RIGHT REAR BRACE | | | |
| - 11 | 1011868 | 1 | WINDSHIELD FRAME ASSEMBLY | | | |
| - 12 | 1011865 | 1 | KNEE BRACE — LEFT | | | |
| - 13 | 1703 | 2 | BOLT, HEX HEAD, 1/4-20 x 1-1/2" | | | |
| - 14 | 1011964 | 2 | LOCKWASHER, 1/4, STAINLESS STEEL | | | |
| - 15 | 1011965 | 2 | FLATWASHER, 1/4, STAINLESS STEEL | | | |
| - 16 | 1010237 | 2 | BUSHING | | | |
| - 17 | 1011878 | 2 | CAPPED TEENUT | | | |
| - 18 | 1011937 | 2 | BOLT, HEX HEAD, W/NYLON PATCH, 5/16-18 x 1-1/4" | | | |
| - 19 | 1011883 | 2 | WINDSHIELD FRAME MOUNTING PAD | | | |
| - 20 | 1011862 | 1 | KNEE BRACE — RIGHT | | | |
| - 21 | 1218 | 2 | BOLT, HEX HEAD, 5/16-18 x 1-1/4" | | | |



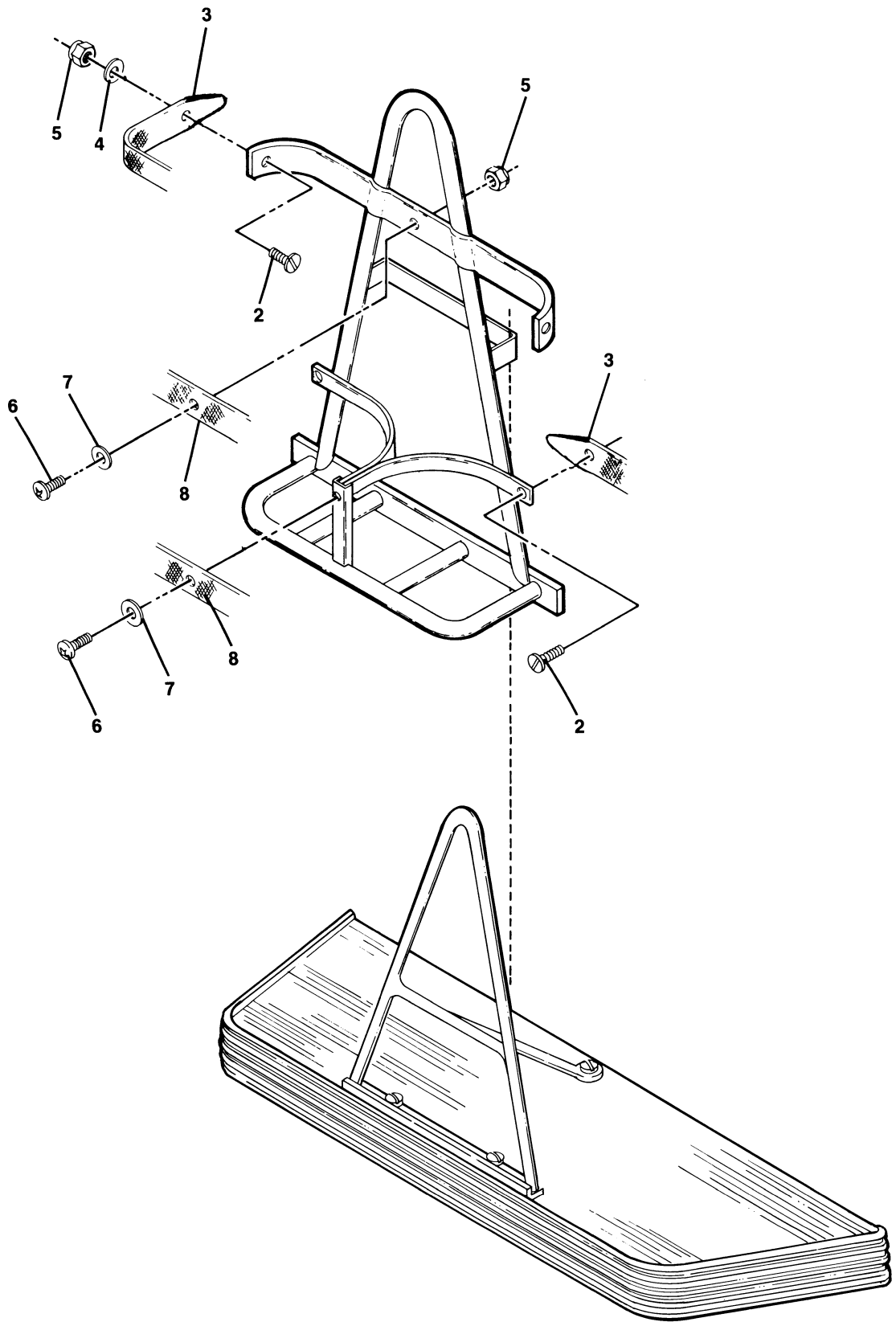


FIGURE 6-9. 2-BAG ATTACHMENT KIT (4-PASSENGER). SEE LIST 6-9.

2-BAG ATTACHMENT KIT (4-PASSENGER)

| FIGURE- ITEM NUMBER | PART NUMBER | UNITS PER ASM | DESCRIPTION | | | |
|---------------------------|----------------|---------------------|--|---|---|---|
| | | | 1 | 2 | 3 | 4 |
| 9 - | 1011519 | | 2-BAG ATTACHMENT KIT (4-PASSENGER) INCLUDES ALL ITEMS FOR ILLUSTRATION, SEE FIGURE 6-9 | | | |
| - 1 | 1011563 | 1 | 2-BAG ATTACHMENT WELD ASSEMBLY | | | |
| - 2 | 1107 | 4 | SCREW, FLAT HEAD, 1/4-20 | | | |
| - 3 | 7935 | 4 | BAG RACK STRAP | | | |
| - 4 | 332 | 4 | FLATWASHER, 1/4 | | | |
| - 5 | 8233 | 6 | LOCKNUT, NYLON, 1/4-20 | | | |
| - 6 | 8419 | 2 | SCREW, PHILLIPS, 1/4-20 | | | |
| - 7 | 1011578 | 2 | FLATWASHER, 1/4 | | | |
| - 8 | 8463 | 2 | LONG BAG STRAP | | | |



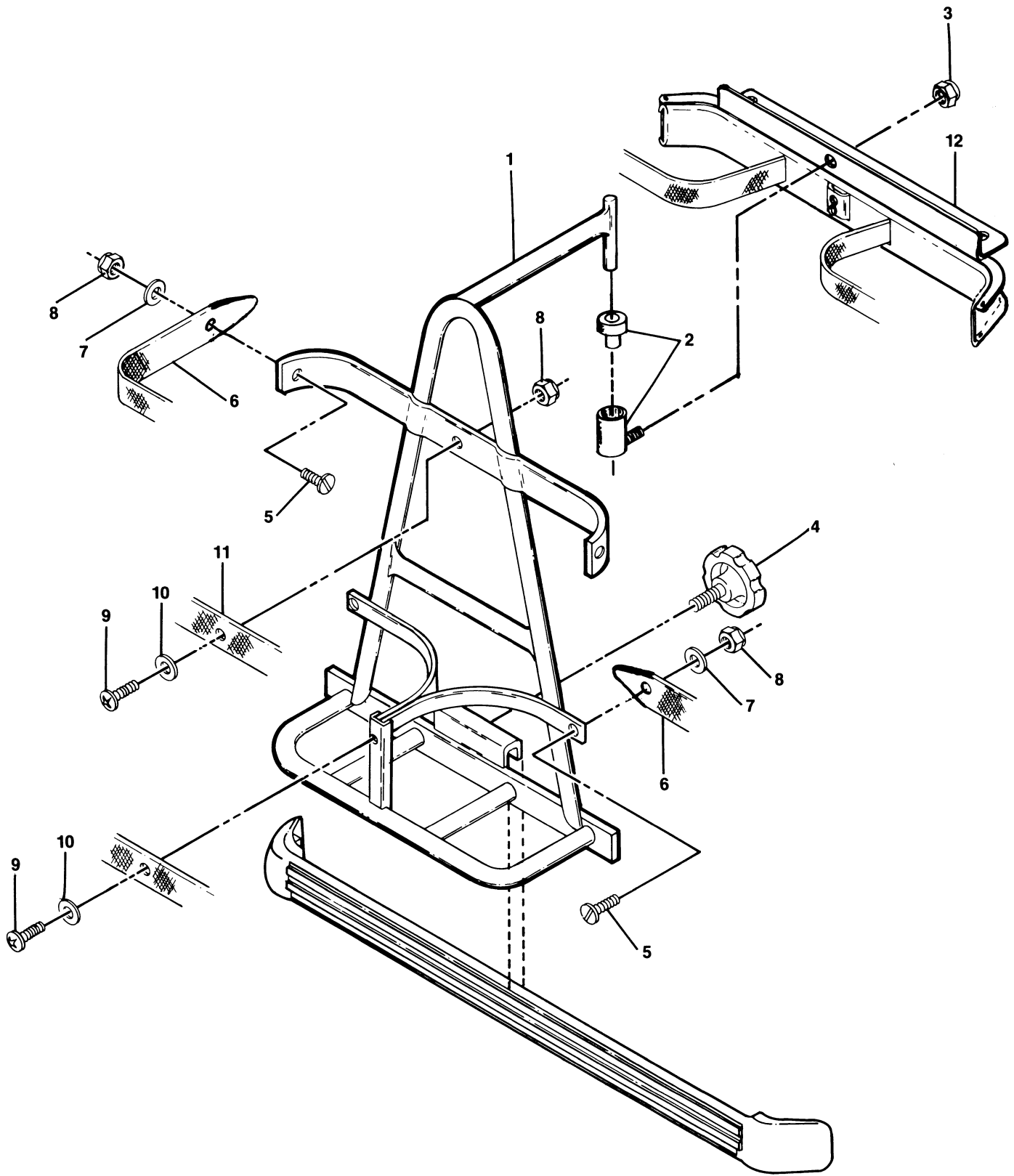


FIGURE 6-10. 4-BAG ATTACHMENT KIT (2-PASSENGER). SEE LIST 6-10.

4-BAG ATTACHMENT KIT (2-PASSENGER)

| FIGURE- ITEM NUMBER | PART NUMBER | UNITS PER ASM | DESCRIPTION | | | |
|---------------------------|----------------|---------------------|---|---|---|---|
| | | | 1 | 2 | 3 | 4 |
| 10 - | 1011907 | | 4-BAG ATTACHMENT KIT (2-PASSENGER) INCLUDES ALL ITEMS FOR ILLUSTRATION, SEE FIGURE 6-10 | | | |
| - 1 | NO # | 1 | 4-BAG ATTACHMENT WELD ASSEMBLY | | | |
| - 2 | 1011910 | 1 | STEM CAVITY AND BUSHING ASSEMBLY INCLUDES ITEM 3 | | | |
| - 3 | 8233 | 1 | LOCKNUT, NYLON, 1/4-20 | | | |
| - 4 | 1011761 | 1 | KNOB | | | |
| - 5 | 1107 | 4 | SCREW, FLAT HEAD, 1/4-20 | | | |
| - 6 | 7935 | 4 | BAG RACK STRAP | | | |
| - 7 | 332 | 4 | FLATWASHER, 1/4 | | | |
| - 8 | 8233 | 6 | LOCKNUT, NYLON, 1/4-20 | | | |
| - 9 | 8419 | 2 | SCREW, PHILLIPS, 1/4-20 | | | |
| - 10 | 1011578 | 2 | FLATWASHER, 1/4 | | | |
| - 11 | 8463 | 2 | LONG BAG STRAP | | | |
| - 12 | 1014402 | 1 | MOUNTING BRACKET | | | |



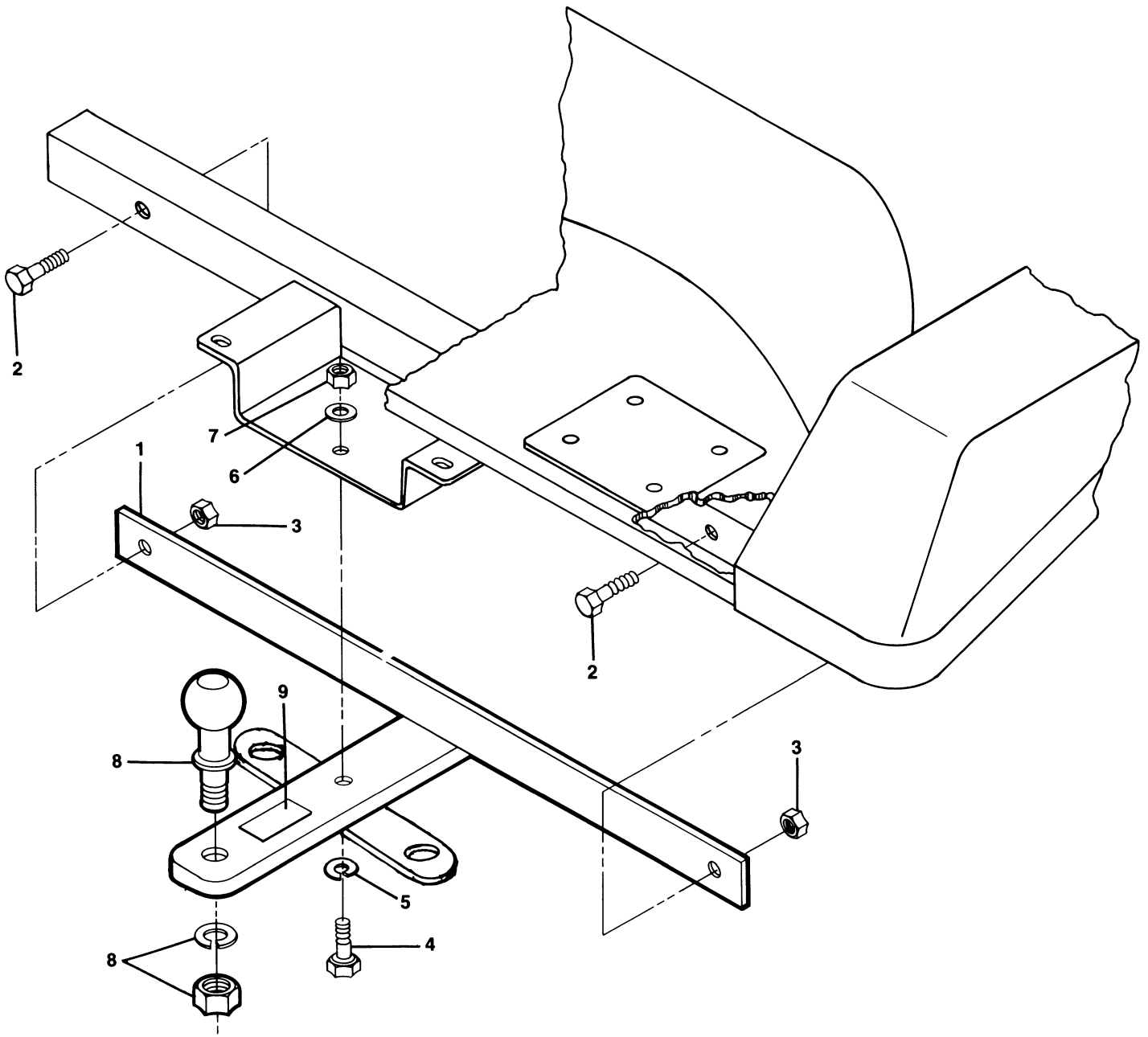


FIGURE 6-11. TRAILER HITCH. SEE LIST 6-11.

TRAILER HITCH

| FIGURE- ITEM NUMBER | PART NUMBER | UNITS PER ASM | DESCRIPTION | | | |
|---------------------------|----------------|---------------------|---|---|---|---|
| | | | 1 | 2 | 3 | 4 |
| 11 - | 1011522 | | TRAILER HITCH KIT INCLUDES ITEMS 1 THRU 9 FOR ILLUSTRATION, SEE FIGURE 6-11 | | | |
| - 1 | 1011550 | 1 | TRAILER HITCH WELD ASSEMBLY | | | |
| - 2 | 1218 | 2 | BOLT, HEX HEAD, 5/16-18 x 1-1/4" | | | |
| - 3 | 7473 | 2 | LOCKNUT, NYLON, 5/16-18 | | | |
| - 4 | 1624 | 1 | BOLT, HEX HEAD, 3/8-16 x 1-1/2" | | | |
| - 5 | 357 | 1 | LOCKNUT, 3/8 | | | |
| - 6 | 808 | 1 | FLATWASHER, 3/8 | | | |
| - 7 | 706 | 1 | NUT, HEX, 3/8-16 | | | |
| - 8 | 1011546 | 1 | TRAILER BALL W/NUT AND LOCKWASHER | | | |
| - 9 | 1011553 | 1 | TRAILER HITCH DECAL | | | |



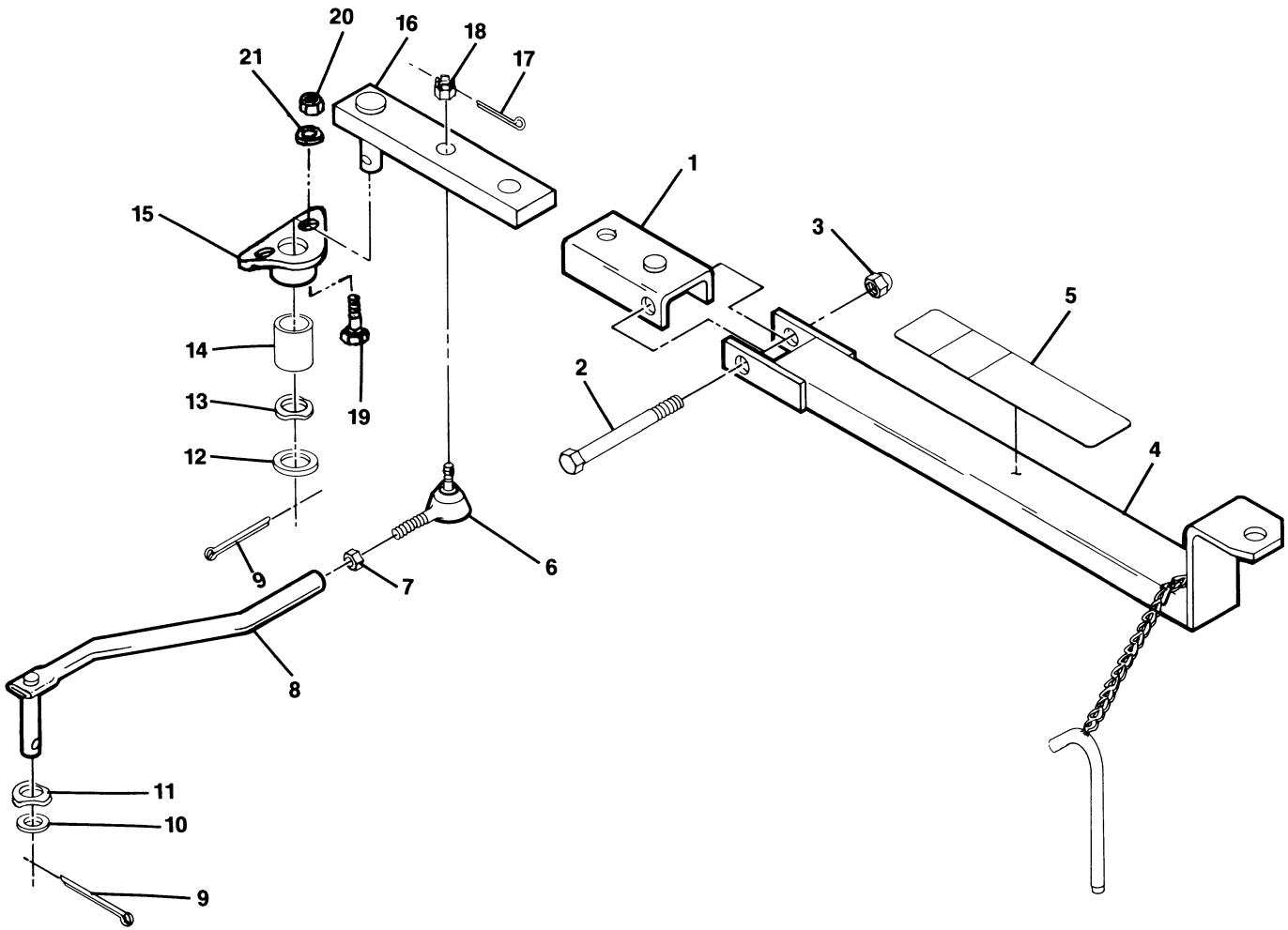


FIGURE 6-12. 1980 PERMANENT TYPE TOWING. SEE LIST 6-12.

PERMANENT TYPE TOWING

| FIGURE- ITEM NUMBER | PART NUMBER | UNITS PER ASM | DESCRIPTION | | | |
|---------------------------|----------------|---------------------|---|---|---|---|
| | | | 1 | 2 | 3 | 4 |
| 12 - | 1010037 | 1 | TOW BAR ASSEMBLY INCLUDES ITEMS 1 THRU 5 | | | |
| - | 1014378 | 1 | PERMANENT TOWING INSTALLATION KIT INCLUDES ITEMS 6 THRU 21 | | | |
| - 1 | 1010034 | 1 | CHANNEL WELD ASSEMBLY | | | |
| - 2 | 8755 | 1 | BOLT, HEX HEAD, 3/8-16 x 3" | | | |
| - 3 | 8754 | 1 | LOCKNUT, NYLON, 3/8-16 UNC | | | |
| - 4 | 1010032 | 1 | TOW BAR WELD ASSEMBLY | | | |
| - 5 | 1010038 | 1 | TOW BAR LABEL | | | |
| - 6 | 7539 | 1 | SOCKET ASSEMBLY, RIGHT HAND INCLUDES ITEM 18 | | | |
| - 7 | 1308 | 1 | NUT, HEX, 1/2-20 UNF | | | |
| - 8 | 1010029 | 1 | STEERING ARM WELD ASSEMBLY | | | |
| - 9 | 7910 | 2 | PIN, COTTER, 5/32 x 1" | | | |
| - 10 | 1010028 | 1 | FLATWASHER, 1/2" | | | |
| - 11 | 1010039 | 1 | WAVE SPRING WASHER, 1/2" | | | |
| - 12 | 1010005 | 1 | FLATWASHER, 3/4" | | | |
| - 13 | 1010040 | 1 | WAVE SPRING WASHER, 3/4" | | | |
| - 14 | 1014282 | 1 | BRONZE BEARING | | | |
| - 15 | 1014278 | 1 | PERMANENT TOWING ATTACHMENT INCLUDES ITEM 14 | | | |
| - 16 | 1010035 | 1 | TOWING LUG WELD ASSEMBLY | | | |
| - 17 | 1035 | 1 | PIN, COTTER, 3/32" x 1" | | | |
| - 18 | 7602 | 1 | NUT, SLOTTED HEX, 3/8-24 UNF | | | |
| - 19 | 320 | 2 | SCREW, 3/8-16 X 1.00 HEX HEAD | | | |
| - 20 | 706 | 2 | NUT, HEX 3/8" | | | |
| - 21 | 357 | 2 | LOCKWASHER, 3/8" | | | |



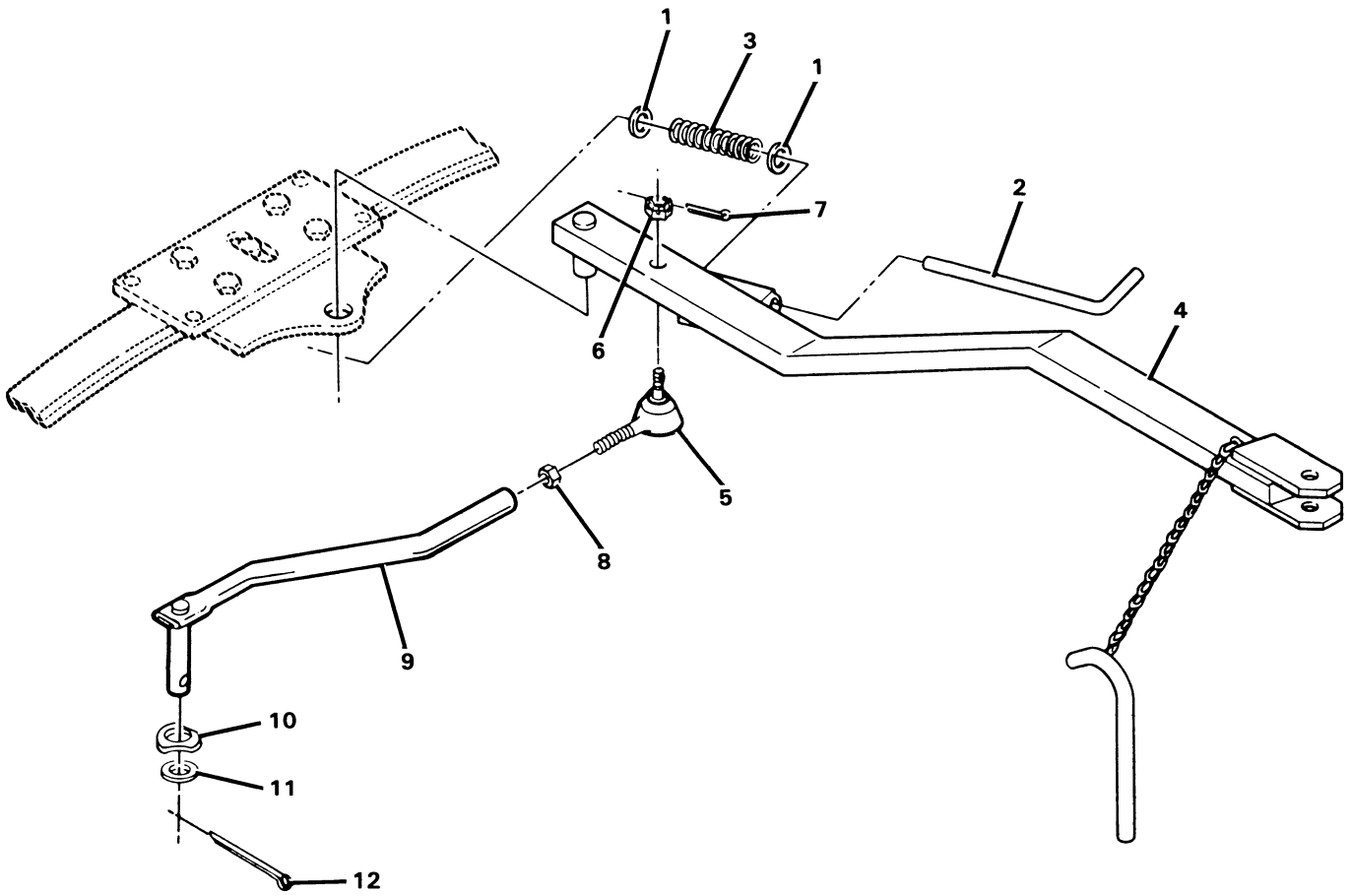


FIGURE 6-13. LIGHT DUTY TOW BAR. SEE LIST 6-13.

LIGHT DUTY TOW BAR

| FIGURE- ITEM NUMBER | PART NUMBER | UNITS PER ASM | DESCRIPTION | | | |
|---------------------------|----------------|---------------------|--|---|---|---|
| | | | 1 | 2 | 3 | 4 |
| 13 - | 8708 | | LIGHT DUTY TOW BAR COMPLETE INCLUDES ITEMS 1 THRU 12 FOR ILLUSTRATION, SEE FIGURE 6-13 | | | |
| - 1 | 334 | 2 | FLATWASHER, 3/8 (SPECIAL) | | | |
| - 2 | 8725 | 1 | SAFETY PLUNGER | | | |
| - 3 | 1010317 | 1 | COMPRESSION SPRING | | | |
| - 4 | 8701 | 1 | TOW BAR BODY SUB ASSEMBLY | | | |
| - 5 | 7539 | 1 | SOCKET ASSEMBLY, RIGHT HAND INCLUDES ITEM 6 | | | |
| - 6 | 7602 | 1 | NUT, SLOTTED HEX, 3/8-24 UNF | | | |
| - 7 | 1035 | 2 | PIN, COTTER, 3/32 x 1" | | | |
| - 8 | 1308 | 1 | NUT, HEX, 1/2-20 | | | |
| - 9 | 1010029 | 1 | STEERING ARM WELD ASSEMBLY | | | |
| - 10 | 1010039 | 1 | WAVE SPRING WASHER | | | |
| - 11 | 1010028 | 1 | WASHER | | | |
| - 12 | 7910 | 1 | PIN, COTTER, 5/32 x 1" | | | |



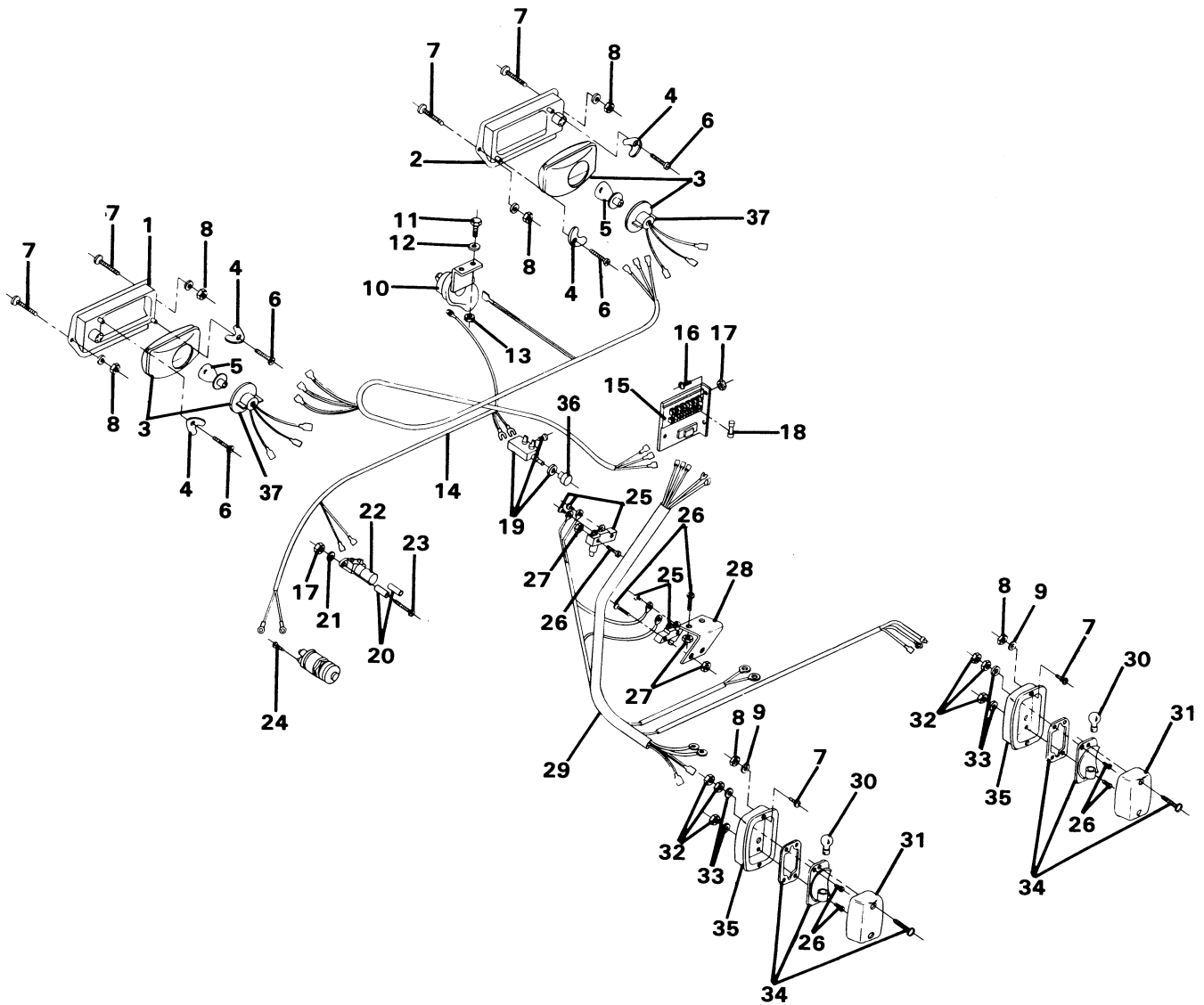


FIGURE 6-14. LIGHTING PACKAGE. SEE LIST 6-14.

LIGHTING PACKAGE

| FIGURE- ITEM NUMBER | PART NUMBER | UNITS PER ASM | DESCRIPTION | | | |
|---------------------------|----------------|---------------------|---|---|---|---|
| | | | 1 | 2 | 3 | 4 |
| 14 - | 1013804 | 1 | LIGHTING PACKAGE — COMPLETE | | | |
| - 1 | 1014176 | 1 | BEZEL & REFLECTOR ASSEMBLY — LEFT | | | |
| - 2 | 1014177 | 1 | BEZEL & REFLECTOR ASSEMBLY — RIGHT | | | |
| - 3 | 1014167 | 2 | HEADLAMP INCLUDES ITEMS 5 AND 37 | | | |
| - 4 | 1014156 | 4 | BRACKET — LAMP MOUNTING | | | |
| - 5 | 1014180 | 2 | BULB — HEADLAMP | | | |
| - 6 | 1010715 | 4 | SCREW — #10-14 TRI-LOB TRUSS HEAD | | | |
| - 7 | 1011498 | 8 | SCREW — #8-32 OVAL COUNTERSUNK HEAD MACHINE | | | |
| - 8 | 1011571 | 8 | NUT — #8-32 HEX | | | |
| - 9 | 1011610 | 5 | FLATWASHER — #8 | | | |
| - 10 | 4029 | 1 | HORN AND BRACKET ASSEMBLY | | | |
| - 11 | 304 | 2 | BOLT, HEX HEAD, 1/4-20 UNC x 1" | | | |
| - 12 | 332 | 2 | FLATWASHER, 1/4" | | | |
| - 13 | 8233 | 2 | LOCKNUT, 1/4-20 NYLON | | | |
| - 14 | 1013795 | 1 | WIRE HARNESS HEADLIGHT | | | |
| - 15 | 1011502 | 1 | TERMINAL BLOCK AND FUSE PANEL ASSEMBLY | | | |
| - 16 | 8104 | 2 | SCREW, ROUND HEAD, #10-32 x 3/4" | | | |
| - 17 | 7893 | 4 | NUT, HEX, #10-32 | | | |
| - 18 | 8106 | 3 | FUSE, 20 AMP | | | |
| - 19 | 4034 | 1 | LIGHT SWITCH INCLUDES ITEM 36 | | | |
| - 20 | 1010910 | 2 | STAND OFF DIMMER SWITCH | | | |
| - 21 | 8049 | 2 | LOCKWASHER, #10 INTERNAL TOOTH | | | |
| - 22 | 1010889 | 1 | DIMMER SWITCH | | | |
| - 23 | 1010909 | 2 | SCREW, ROUND HEAD, #10-32 x 1-1/4" | | | |
| - 24 | 1013443 | 1 | HORN BUTTON — FLOOR MOUNTED | | | |
| - 25 | 1011439 | 2 | OVERTRAVEL PLUNGER SWITCH | | | |
| - 26 | 1011557 | 10 | SCREW, SLOTTED PAN HEAD, #6-32 x 1" | | | |
| - 27 | 1011229 | 6 | LOCKNUT, "K", #6-32 UNC | | | |
| - 28 | 1011742 | 1 | BRAKE LIGHT SWITCH BRACKET | | | |
| - 29 | 1015516 | 1 | WIRE HARNESS TAILLIGHT | | | |
| - 30 | 1011582 | 2 | TAILLIGHT BULB | | | |
| - 31 | 1011843 | 2 | TAILLIGHT LENS | | | |
| - 32 | 1011558 | 6 | NUT, HEX HEAD, #6-32 UNC | | | |
| - 33 | 7591 | 4 | FLATWASHER, #6 | | | |
| - 34 | 1016618 | 2 | TAILLIGHT INCLUDES ITEMS 30 AND 31 | | | |
| - 35 | 1011497 | 2 | TAILLIGHT BEZEL | | | |
| - 36 | 1013857 | 1 | KNOB — LIGHT SWITCH | | | |
| - 37 | 1015575 | 2 | HEADLAMP SOCKET | | | |
| - 38 | 8990 | 9 | TIE WRAP | | | |
| - 39 | 1014179 | | HEADLIGHT ASSEMBLY — LEFT INCLUDES ITEMS 1, 2, 3, 4, AND 6 | | | |
| - 40 | 1014178 | | HEADLIGHT ASSEMBLY — RIGHT INCLUDES ITEMS 2, 3, 4, AND 6 | | | |





Section VII

MAINTENANCE SERVICE TOOLS

| DESCRIPTION | PART NO. |
|--|----------|
| Internal Retaining Pliers | 1013593 |
| Battery Load Tester, 12 Volt | 1012807 |
| Clutch Torsion Spring Tool | 1012806 |
| Brake Adjusting Tool | 1013582 |
| Fiberglass Repair Kit | 1012093 |
| Volt Ohm Meter | 1011480 |
| Continuity Tester | 1011273 |
| Retaining Ring Pliers (45° External) | 1012549 |
| Retaining Ring Pliers (90° Internal) | 1012560 |
| Keyswitch Tool | 1012801 |
| Seal Puller | 1012809 |
| Bearing Puller | 1012811 |
| Bearing Puller Wedge Attachment | 1012812 |
| Tachometer | 1012800 |
| Flywheel Puller | 1012802 |
| Drive Clutch Puller | 1012803 |
| Clutch Alignment Tool | 1012805 |
| Touch-Up Paint - Beige | 1011981 |
| Touch-Up Paint - White | 1013145 |
| Transmission Tool Kit | 1014115 |
| Drive and Driven Clutch Tool Kit | 1014114 |
| Drive Unit Pinion Seal Tool | 1014161 |
| Drive Unit Axle Seal Tool | 1014162 |
| Throttle Pivot Bushing Tool | 1014163 |
| Steering Column Bearing Press Tool | 1014261 |
| Steering Column Retaining Ring Tool | 1014259 |
| Battery Terminal Protector | 1014305 |
| Dry Graphite Lubricant | 1012151 |
| Governor Guard | 1016048 |
| Flexible Cowl Repair Kit | 1014963 |
| Flexible Cowl Paint Repair Kit | 1015491 |

Please refer to the appropriate Maintenance and Service Manual for proper tool application.

