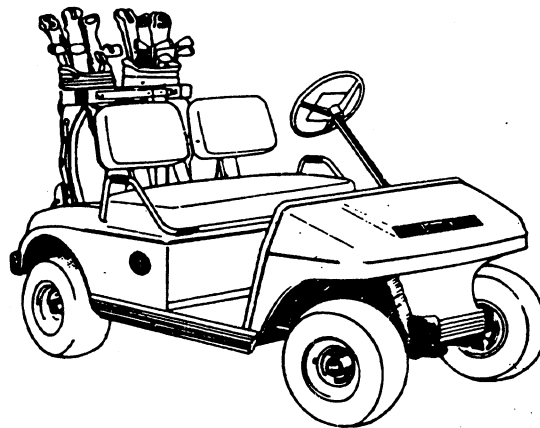


# ILLUSTRATED PARTS LIST

**DS ELECTRIC**



**1981 - 1984**

**ClubCar**

4152 WASHINGTON ROAD  
P. O. BOX 4658  
TELEPHONE: 404-863-3000  
TELEX: 54-5444 CLUB CAR  
AUGUSTA, GEORGIA 30907-0658

MANUAL NUMBER

1011446

**WARNING: THIS MANUAL IS TO BE USED FOR IDENTIFICATION  
AND ORDERING OF SERVICE PARTS ONLY. BE  
SURE TO READ AND USE THE MAINTENANCE AND  
SERVICE MANUAL FOR ANY REPAIR.**

## ORDERING INFORMATION

**SHIPMENT:** We ship UPS whenever possible. Larger shipments are made by common carrier, freight collect. On written orders please include street address or name of street and nearest intersecting road if on a rural route. A Post Office Box is not enough for UPS. Most orders are shipped within 3 working days.

**OUT OF STOCK PARTS:** We will notify you as promptly as possible about back ordered parts and give you our best information as to when shipment will be made. We are constantly working to avoid back orders, and we sincerely regret any situation where circumstances prevent us from meeting our goal.

**PRICES:** All prices are subject to change without prior notice. Prices in effect at time of shipments, regardless of date of order, shall apply. Prices in this catalog replace those in all previous catalogs.

**TERMS:** COD unless prior credit arrangements have been made.

**DAMAGED OR SHORTAGES IN SHIPMENT:** All claims for damaged or missing merchandise must be made to us within 10 days of receipt of shipment. If a shipment reaches you in damaged condition and is accepted it is your responsibility to make a claim with the carrier. If damaged occurred due to improper packing let us know at once. The same applies to shortages.

**RETURN GOODS POLICY:** Do not return parts without a written authorization. Parts returned, freight collect or without approval will not be accepted.

**INTERNATIONAL ORDERS:** All international orders carry a \$20.00 handling fee. Terms to be Payment in Advance, Bank Draft or Letter of Credit.

**WHEN ORDERING:** Whenever possible please include the serial number of the car when ordering parts. This enable Club Car's parts department to process your order accurately and on a timely basis.

**TELEPHONE ORDERS:** Call area code 404-863-3000 and ask for Customer Service.

**MAIL ORDERS:** Write to Club Car, Inc., P. O. Box 4658, Augusta, GA 30907, Attention: Customer Service.



## INDEX

<b>BODY AND TRIM GROUP</b>	<b>SECTION I</b>
Body and Cowl .....	1-1
Illustration .....	1-2
Seat Back Assembly .....	1-3
Illustration .....	1-4
Seat Bottom Assembly .....	1-5
Illustration .....	1-6
Bag Mast Assembly .....	1-7
Illustration .....	1-8
<b>SUSPENSION AND STEERING GROUP</b>	<b>SECTION II</b>
Front Suspension .....	2-1
Illustration .....	2-2
Steering .....	2-3
Illustration .....	2-4
Rear Suspension .....	2-5
Illustration .....	2-6
<b>DRIVE TRAIN GROUP</b>	<b>SECTION III</b>
Axle Assembly .....	3-1
Illustration .....	3-2
Motor G. E. ....	3-3
Illustration .....	3-4
Motor Hitachi .....	3-5
Illustration .....	3-6
<b>3RAKE SYSTEM AND PEDAL GROUP</b>	<b>SECTION IV</b>
Brake Assembly .....	4-1
Illustration .....	4-2
Brake Pedal and Cable Assembly .....	4-3
Illustration .....	4-4
Accelerator Pedal and Linkage Assembly .....	4-5
Illustration .....	4-6
<b>ELECTRICAL SYSTEM</b>	<b>SECTION V</b>
Power Wiring .....	5-1
Illustration .....	5-2
Speed Switch Assembly .....	5-3
Illustration .....	5-4
Solenoid and Resistor Assembly .....	5-5
Illustration .....	5-6
Foward and Reverse Switch .....	5-7
Illustration .....	5-8
Battery Charger .....	5-9





Section I

**BODY AND TRIM GROUP**

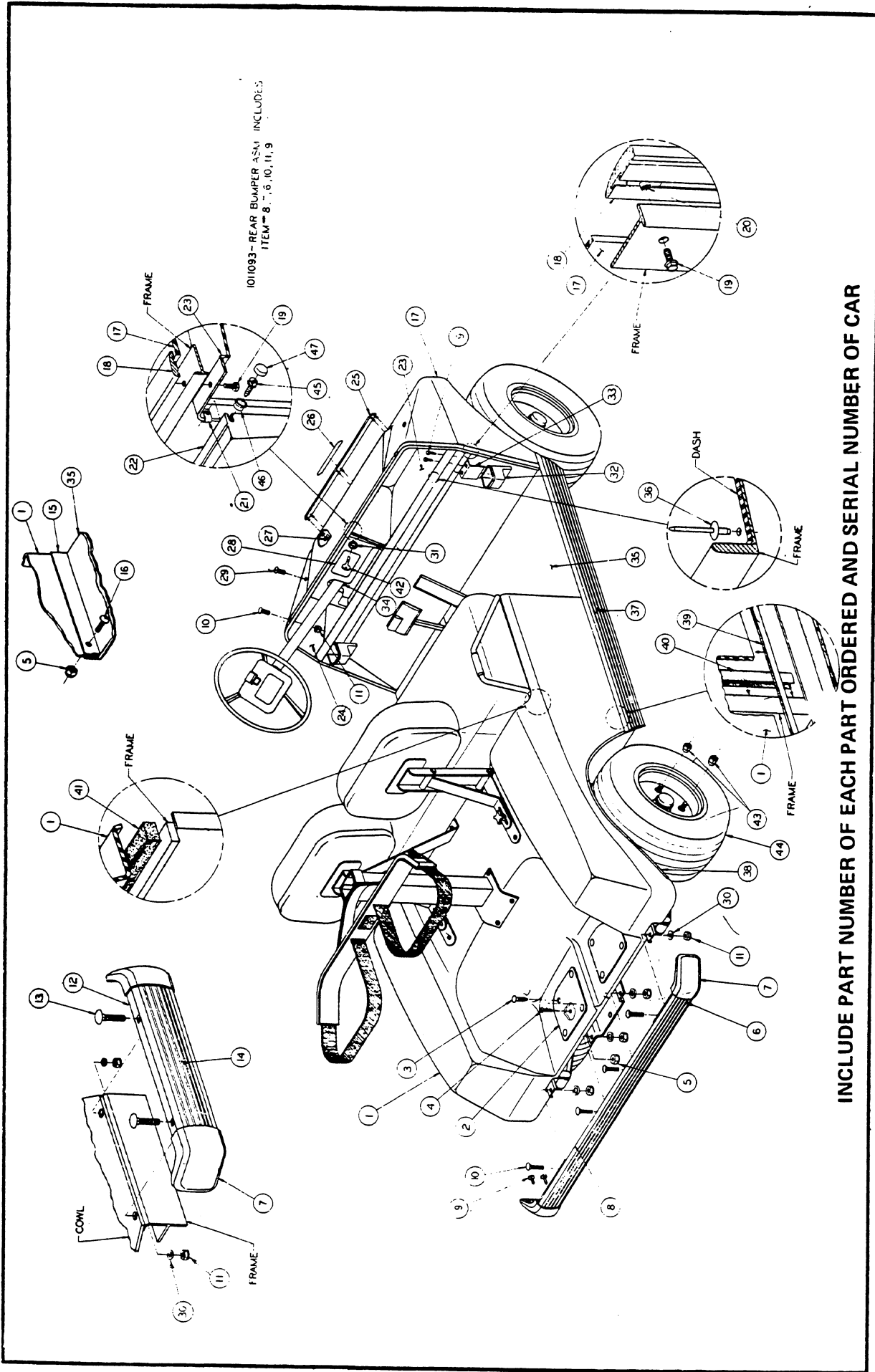
**BODY AND COWL GROUP**

<u>Item No.</u>	<u>Part No.</u>	<u>Description</u>	<u>Qty.</u>	<u>Item No.</u>	<u>Part No.</u>	<u>Description</u>	<u>Qty.</u>
1A.	1010767	Body	1	25.	1011395	Nameplate Package (Includes Item No. 26, 27)	1
1B.	1011572	Body with Taillight Openings	1	26.	1010920	Nameplate	1
2.	1011641	Bag Well Mat	2	27.	1011396	Push Nut Package (6 Pcs)	1
3.	1010434	Plastic Fastener	8	28.	1011042	Safety Decal	1
4.	0008251	1/4 - 20 UNC x 1" Phillips Truss Head Screw	2	29.	0008523	5/16 - 18 UNC x 1 3/4" Phillips Head Screw	2
5.	0008233	1/4 - 20 UNC Locknut	4	30.	0001241	5/16 Flatwasher	6
6.	1010988	Rear Bumper Guard	1	31.	0008204	Key Switch (Includes 2 Keys)	1
7.	1011086	Bumper End Cap	4	32.	1011113	Cup Holder	2
8.	1011093	Rear Bumper Assembly	1	33.	1011112	Cup Holder Bracket	2
		(Includes Item No. 6, 7, 9, 10, 11)		34.	1012499	Steering Column Boot	1
9.	1010545	1/4 - 14 Sheet Metal Screw	14	35.	1011028	Floormat	11
10.	1010435	5/16 - 18 UNC x 1" Carriage Bolt	6	36.	0007973	3/16 x 1/2 Pop Rivet	7
11.	0007473	5/16 - 18 UNC Locknut	8	37.	1010684	Side Bumper Guard	2
12.	1011880	Front Bumper Assembly	1	38.	1010989	Fender Well Body Trim	2
13.	1011098	5/16 - 18 UNC x 3" Carriage Bolt	2	39.	1011306	Vinyl Trim	2
14.	1011094	Front Bumper Guard	1	40.	1011305	Vinyl Wheel Well Seal	2
15.	1010993	Body Kick Plate	1	41.	1011307	Foam Mud Guard	1
16.	0008251	1/4 - 20 UNC x 1" Phillips Truss Head Screw	2	42.	0008205	Switch Keys	2
17A.	1010784	Cowl	1	43.	1011390	Lug Nut Package (8 Pcs.)	1
17B.	1011573	Cowl with Headlight Openings	1	44A.	007366	Tire and Wheel Assy. (Standard Rib)	4
18.	1011014	Cowl Trim	1	44B.	0008608	Tire and Wheel Assy. (Power Rib)	4
19.	1011017	No. 8 - 32 UNC Flange Lock Screw	6	44C.	0008607	Tire and Wheel Assy. (Terra Traction)	4
20.	1011394	Slab Base "T" Nut package (4 pcs)	1	45.	Kit *	No. 10 - 16 Type AB Sheet Metal Screws	
21.	Kit*	Speed Nut	1	46.	Kit *	No. 10 Washer (Snap)	
22.	1010886	Center Dash Panel	1	47.	Kit *	Screw Head Cover	
23.	1010887	Right Dash Pocket	1				
24.	1010885	Left Dash Pocket	1				

\*Kit 1011398 - Snap Washer Kit  
Includes Item No. 21 (1), No. 45 (1), No. 46 (1), No. 47 (1)

**INCLUDE PART NUMBER OF EACH PART ORDERED AND SERIAL NUMBER OF CAR**





INCLUDE PART NUMBER OF EACH PART ORDERED AND SERIAL NUMBER OF CAR

Issue Date 8/1/83

Effective Serial No. A8036-15260 thru A8146-26294

**BODY AND COWL GROUP**

<u>Item No.</u>	<u>Part No.</u>	<u>Description</u>	<u>Qty.</u>	<u>Item No.</u>	<u>Part No.</u>	<u>Description</u>	<u>Qty.</u>
1A.	1011788	Body	1	26.	1010920	Nameplate	1
1B.	1011572	Body with Taillight Openings	1	27.	1011396	Push Nut Package (6 Pcs)	1
2.	1011641	Bag Well Mat	2	28.	1011042	Safety Decal	1
3.	1010434	Plastic Fastener	8	29.	0008523	5/16 - 18 UNC x 1 3/4" Phillips Head Screw	2
4.	0008251	1/4 - 20 UNC x 1" Phillips Truss Head Screw	2	30.	0001241	5/16 Flatwasher	6
5.	0008233	1/4 - 20 UNC Locknut	4	31.	0008204	Key Switch (Includes 2 Keys)	1
6.	1010988	Rear Bumper Guard	1	32.	1011113	Cup Holder	2
7.	1011086	Bumper End Cap	4	33.	1011112	Cup Holder Bracket	2
8.	1011093	Rear Bumper Assembly	1	34.	1012499	Steering Column Boot	1
9.	1010545	(Includes Item No. 6, 7, 9, 10, 11)	14	35.	1011028	Floormat	1
10.	1010435	1/4 - 14 Sheet Metal Screw	6	36.	0007973	3/16 x 1/2 Pop Rivet	7
11.	0007473	5/16 - 18 UNC x 1" Carriage Bolt	8	37.	1010684	Side Bumper Guard	2
12.	1011880	5/16 - 18 UNC Locknut	1	38A.	1011936	Fender Trim Kit - (Beige)	1
13.	1011098	Front Bumper Assembly	2	38B.	1011935	Fender Trim Kit - (Black)	1
14.	1011094	5/16 - 18 UNC x 3" Carriage Bolt	1	39.	1011306	Vinyl Trim	2
15.	1010993	Front Bumper Guard	1	40.	1011305	Vinyl Wheel Well Seal	2
16.	0008251	Body Kick Plate	1	41.	1011307	Foam Mud Guard	1
17A.	1010784	1/4 - 20 UNC x 1" Phillips Truss Head Screw	2	42.	0008205	Switch Keys	2
17B.	1011573	Cowl	1	43.	1011390	Lug Nut Package (8 Pcs.)	1
18.	1011014	Cowl with Headlight Openings	1	44A.	0007366	Tire and Wheel Assy. (Standard Rib)	4
19.	1011017	Cowl Trim	1	44B.	0008608	Tire and Wheel Assy. (Power Rib)	4
20.	1011394	No. 8 - 32 UNC Flange Lock Screw	6	44C.	0008607	Tire and Wheel Assy. (Terra Traction)	4
21.	Kit*	Slab Base "T" Nut Package (4 Pcs)	1	45.	Kit*	No. 10 - 16 Type AB Sheet Metal Screws	4
22.	1010886	Speed Nut	1	46.	Kit*	No. 10 Washer (Snap)	4
23.	1010887	Center Dash Panel	1	47.	Kit*	Screw Head Cover	4
24.	1010885	Right Dash Pocket	1	48.	1010997	Side Trim Mounting Clip	4
25.	1011395	Left Dash Pocket	1	49.	0008626	No. 10 Type AB Hex Head Screw	4
		Nameplate Package (Includes Item No. 26, 27)	1				

\* Kit 1011398 - Snap Washer Kit

Includes Item No. 21 (1), No. 45 (1), No. 46 (1), No. 47 (1)

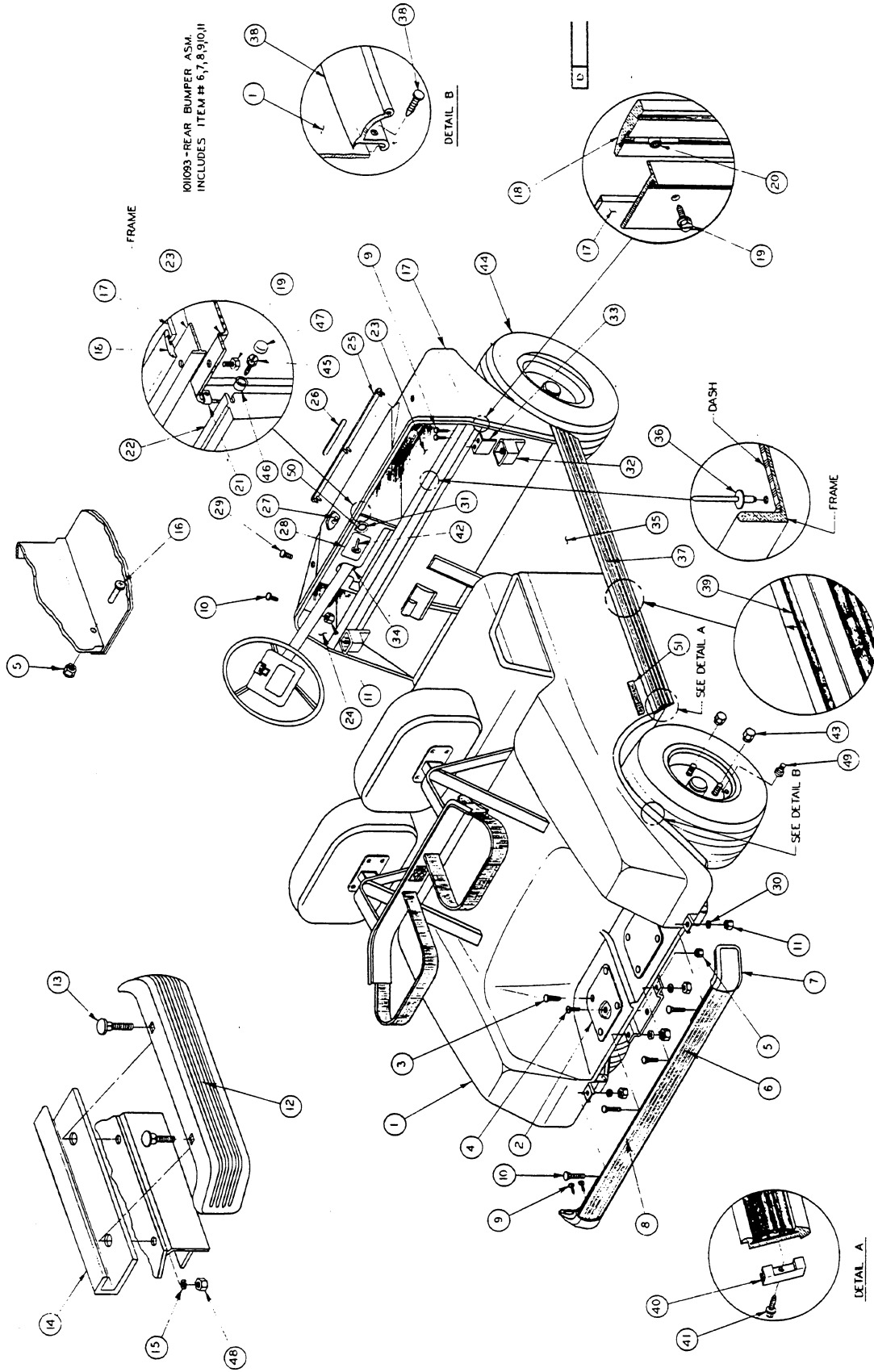
**INCLUDE PART NUMBER OF EACH PART ORDERED AND SERIAL NUMBER OF CAR**



**BODY AND COWL GROUP**

Item No.	Part No.	Description	Qty.	Item No.	Part No.	Description	Qty.
1A.	1011263	Body	1	26.	1010920	Nameplate	1
1B.	1012080	Body with Taillight Openings	1	27.	1011396	Push Nut Package (6 Pcs)	1
2.	1011641	Bag Well Mat	2	28.	1011042	Safety Decal	1
3.	1010434	Plastic Fastener	8	29.	0007251	5/16 - 18 UNC x 1" Phillips Head Screw	2
4.	0008251	1/4 - 20 UNC x 1" Phillips Truss Head Screw	2	30.	0001241	5/16 Flatwasher	4
5.	0008233	1/4 - 20 UNC Locknut	4	31.	0008204	Key Switch (Includes 2 Round Head Keys)	1
6.	1010988	Rear Bumper Guard	1	31A.	1012531	Key Switch (Includes 2 Rectangular Head Keys)	1
7.	1011086	Bumper End Cap	2	32.	1011113	Cup Holder	2
8.	1011093	Rear Bumper Assembly	1	33.	1011112	Cup Holder bracket	2
9.	1010545	(Includes Item No. 6, 7, 9, 10, 11)	1	34.	1011018	Steering Column Boot	1
10.	1010435	1/4 - 14 Sheet Metal Screw	14	35.	1011028	Floormat	1
11.	0007473	5/16 - 18 UNC x 1" Carriage Bolt	6	36.	0007973	3/16 x 1/2 Pop Rivet	1
12.	1011977	5/16 - 18 UNC Locknut	6	37.	1010684	Side Bumper Guard	7
13.	1011660	Front Bumper	1	38A.	1011936	Fender Trim Kit (Beige)	2
14.	1012204	5/16 - 18 UNC x 1" Carriage Bolt	2	38B.	1011935	Fender Trim Kit (Black)	1
15.	0007174	Bumper Plate	1	39.	1011306	Vinyl Trim	1
16.	0008251	5/16 Lockwasher	2	40.	1010997	Side Trim Mounting Clip	2
17A.	1010784	1/4 - 20 UNC x 1" Phillips Truss Head Screw	2	41.	0008626	No. 10 Type AB Hex Head Screw	4
17B.	1011573	Cowl	1	42.	0008205	Switch Keys (2) Round Head	4
18.	1011014	Cowl with Headlight Openings	1	42A.	1012505	Switch Keys (2) Rectangular Head	4
19.	1011017	Cowl Trim	1	43.	1011390	Lug Nut Package (8 Pcs.)	A/R
20.	1011394	No. 8 - 32 UNC Flange Lock Screw	6	44A.	0007366	Tire and Wheel Assy. (Standard Rib)	A/R
21.	Kit*	Slab Base "T" Nut Package (4 Pcs)	1	44B.	0008608	Tire and Wheel Assy. (Power Rib)	4
22.	1010886	Speed Nut	1	44C.	0008607	Tire and Wheel Assy. (Terra Traction)	4
23.	1010887	Center Dash Panel	1	45.	Kit*	No. 10 - 16 Type AB Sheet Metal Screws	2
24.	1010885	Right Dash Pocket	1	46.	Kit*	No, 10 Washer (Snap)	4
25.	1011395	Left Dash Pocket	1	47.	Kit*	Screw Head Cover	4
		Nameplate Package (Includes Item No. 26, 27)	1	48.	0001242	5/16 - 18 UNC Hex Nut	1
		*Kit 1011398 - Snap Washer Kit		49.	0007310	Valve Stem	2
		Includes Item No. 21(1), No. 45 (1), No. 46(1), No. 47 (1)		50.	1012530	On/Off Decal	4
				51.	1012546	DS Electric Insignia	1

**INCLUDE PART NUMBER OF EACH PART ORDERED AND SERIAL NUMBER OF CAR**



**INCLUDE PART NUMBER OF EACH PART ORDERED AND SERIAL NUMBER OF CAR**

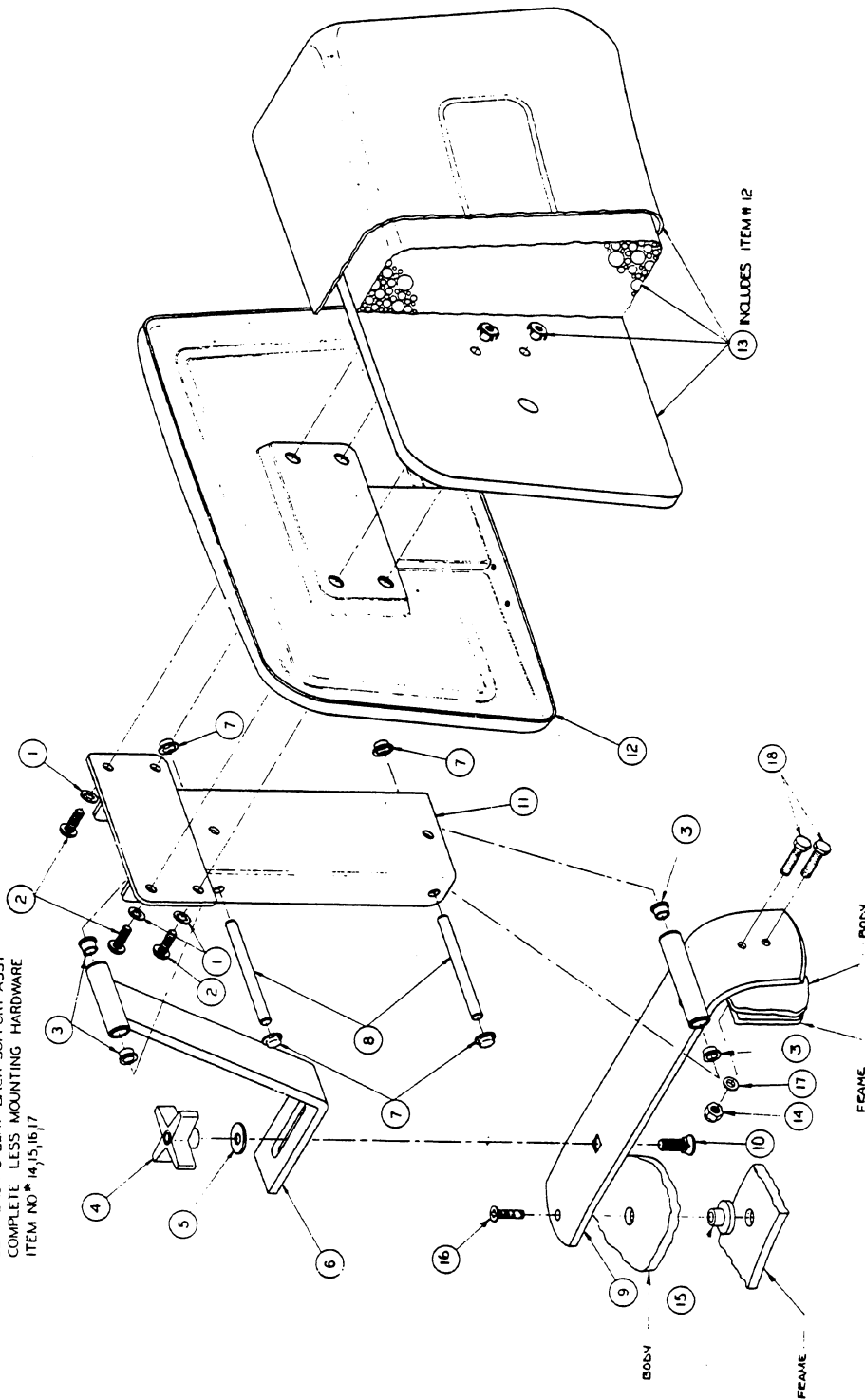
Issue Date 12/20/84  
 Effective Serial No. A8809-42016 thru A8521-77394

SEAT BACK ASSEMBLY

<u>Item No.</u>	<u>Part No.</u>	<u>Description</u>	<u>Qty.</u>
1.	0008304	1/4 Internal Tooth Lockwasher	8
2.	0008248	1/4 - 20 x 3/4" Phillips Head Screw	8
3.	0007049	Nylon Bushing	8
4.	0007151	Seat Adjustment Knob	2
5.	0000808	Grommet Washer	2
6.	1010691	Seat Back Support Assembly (Includes Item No. 3)	1
7.	1010082	Push Nut	8
8.	1010079	Pivot Pin	4
9.	1010690	Seat Back Assembly (Includes Item No. 3)	1
10.	1010081	3/8 - 16 UNC No. 3 Head Plow Bolt	2
11.	1010603	Channel Assembly	2
12.	1011231	Seat Back Cap	2
13.	1011232	Seat Back Assembly	2
14.	0007473	5/16 - 18 UNC Locknut	4
15.	1010359	Stem Bushing	2
16.	0007410	5/16 - 18 UNC x 1 1/4" Phillips Hd. Screw	2
17.	0001241	5/16 Flatwasher	4
18.	0001218	5/16 - 18 UNC x 1 1/4" Hex Hd. Screw	4

INCLUDE PART NUMBER OF EACH PART ORDERED AND SERIAL NUMBER OF CAR

1010718 - SEAT BACK & SEAT BACK SUPPORT ASSY  
 COMPLETE LESS MOUNTING HARDWARE  
 ITEM NO # 14,15,16,17



INCLUDE PART NUMBER OF EACH PART ORDERED AND SERIAL NUMBER OF CAR

Issue Date 8/1/83  
 Effective Serial No. A8036-15260 thru A8146-26294

SEAT BOTTOM ASSEMBLY.

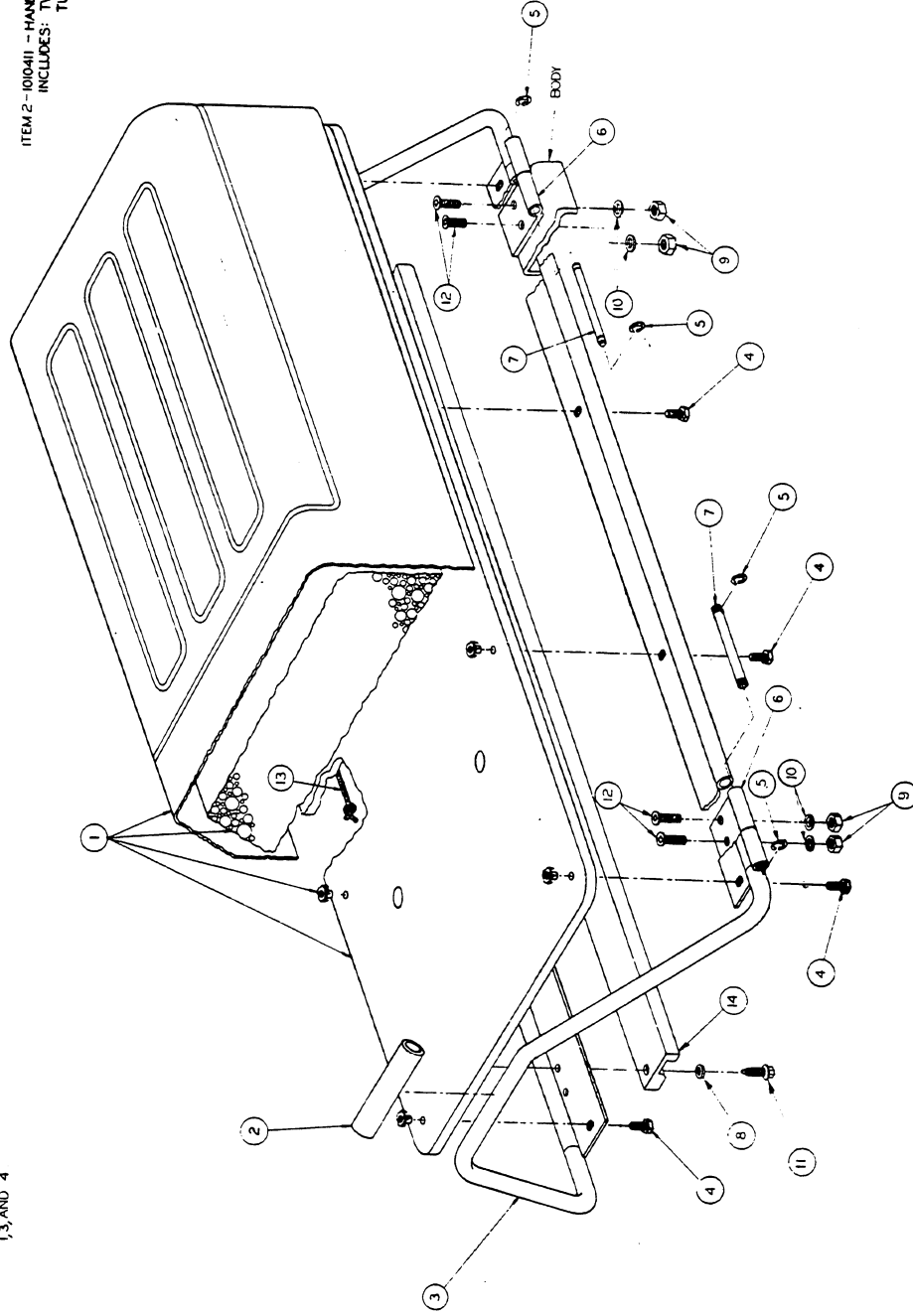
<u>Item No.</u>	<u>Part No.</u>	<u>Description</u>	<u>Qty.</u>
1.	1012413	Seat Bottom	1
2.	1010411	Hand Grip Kit	1
3.	1012406	Seat Bottom Armrest Assembly	1
4.	0000304	1/4 - 20 UNC x 1.00" Hex Head Bolt	8
5.	0001226	E-Ring	4
6.	0008395	Body Hinge Plate	2
7.	0008393	Seat Hinge Pin	2
8.	0000183	No. 10 Flatwasher	5
9.	0008233	1/4 - 20 UNC Locknut	4
10.	0000332	1/4 - Flatwasher	4
11.	1011451	No. 12 Type AB Hex Head Screw	5
12.	1010505	1/4 - 2 UNC x 1 1/4" Phillips Head Screw	4
13.	1010445	Seat Prop Cord	1
14.	1011982	Seat Bumper	3
15.	1012597	No. 10 Flatwasher	1

INCLUDE PART NUMBER OF EACH PART ORDERED AND SERIAL NUMBER OF CAR



1012410 - SEAT BOTTOM ARMREST  
 ASSY COMPLETE  
 INCLUDES ITEMS:  
 1, 3, AND 4

ITEM 2 - 1010411 - HAND GRIP KIT  
 INCLUDES: TWO (2) HAND GRIPS AND ONE (1)  
 TUBE OF ADHESIVE



INCLUDE PART NUMBER OF EACH PART ORDERED AND SERIAL NUMBER OF CAR

Issue Date 8/1/83

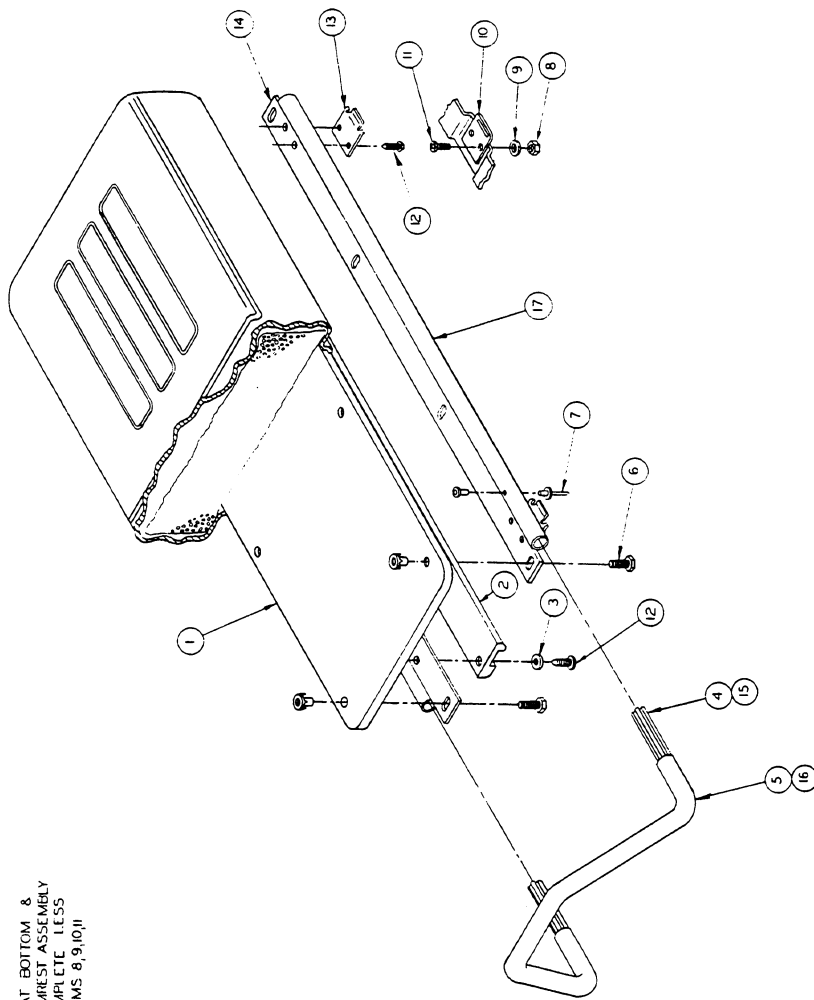
Effective Serial No. A8036-15260 thru A8121-22360

**SEAT BOTTOM ASSEMBLY**

<u>Item No.</u>	<u>Part No.</u>	<u>Description</u>	<u>Qty. Req'd.</u>
1.	1012413	Bottom Seat	1
2.	1012597	Bumper Seat	1
3.	0000183	Washer, No. 10 Flat	5
4.	1011786	Left Hand Arm Rest Assembly	1
5.	1011717	Vinyl, Left Arm Rest	1
6.	0000304	Bolt - 1/4 - 20 Hex	8
7.	1012327	Rivet, 3/16 Mating	4
8.	0008233	Nut, 1/4 - 20 Nylon Lock	4
9.	0000332	Washer, 1/4 Flat	4
10.	1012412	Plate, Body Hinge	2
11.	0008251	Screw, 1/4 - 20 Phillips Head	4
12.	1011451	Screw, No. 12 Type AB	9
13.	1011652	Plate, Seat Hinge	2
14.	1011740	Bracket, Seat Support	2
15.	1011780	Right Hand Arm Rest Assembly	1
16.	1011713	Vinyl, Right Arm Rest	-
17.	1012407	Arm Rest Assembly - Seat Bottom	1

**INCLUDE PART NUMBER OF EACH PART ORDERED AND SERIAL NUMBER OF CAR**

0A2409 - SEAT BOTTOM &  
ARMREST ASSEMBLY  
COMPLETE LESS  
ITEMS 8, 9, 10, 11



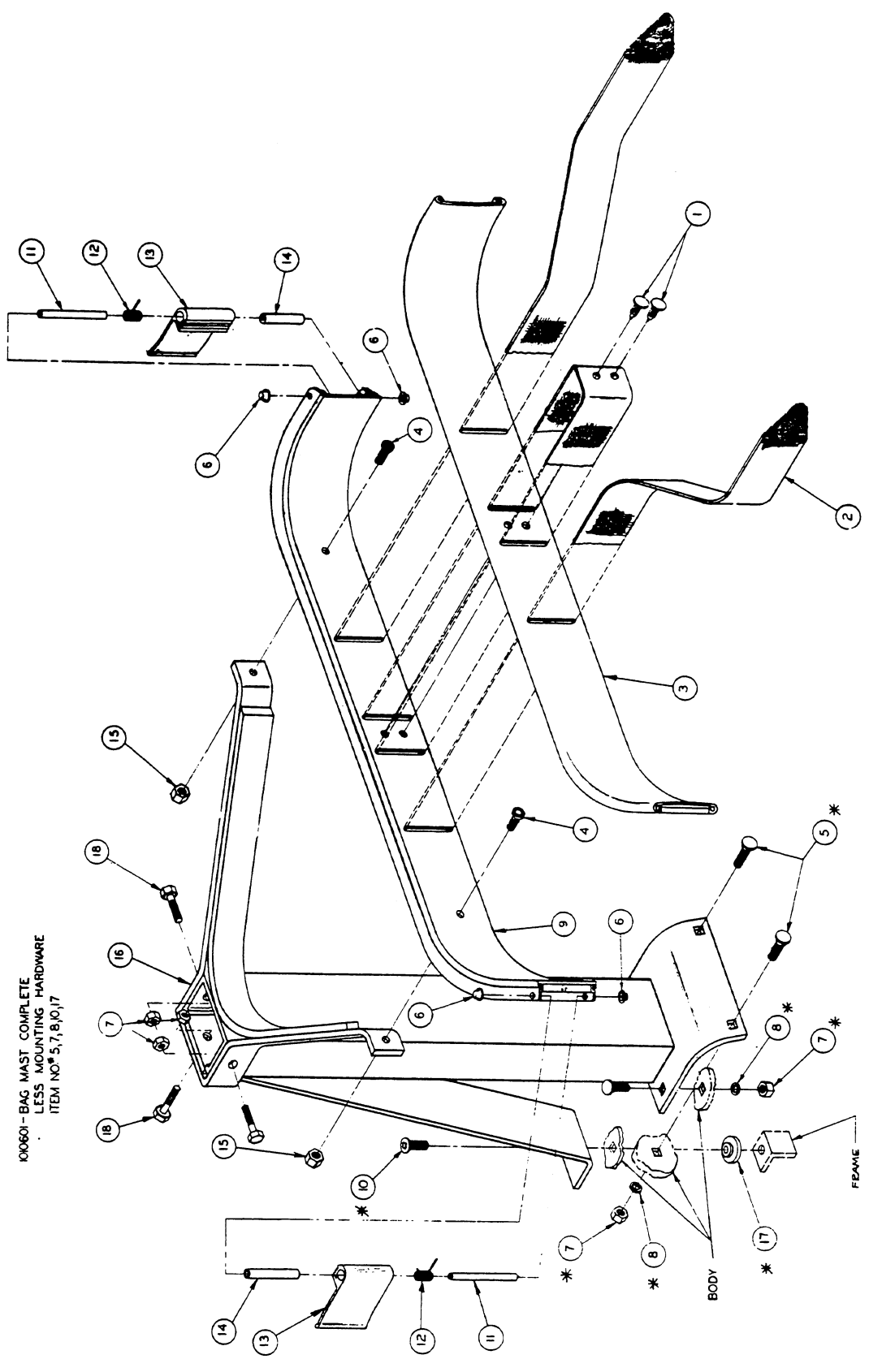
INCLUDE PART NUMBER OF EACH PART ORDERED AND SERIAL NUMBER OF CAR

**BAG MAST ASSEMBLY**

<u>Item No.</u>	<u>Part No.</u>	<u>Description</u>	<u>Qty.</u>
1.	1010434	Plastic Barrels	2
2.	1010413	Bag Strap Assembly	1
3.	1010420	Vinyl Bag Hoop Trim	1
4.	1010433	Self Clinching Flush Hd. Stud	2
5.	1010435	5/16 - 18 x 1.00" Carriage Bolt	4
6.	Kit*	Washer Cap	
7.	0007473	5/16 - 18 Locknut	7
8.	0001241	5/16 Flat Washer	4
9.	1010313	Hoop - Bag Rack	1
10.	0007251	5/16 - 18 x 1.00" Ph. Truss Hd. Mach. Screw	1
11.	Kit*	Buckle Retainer Pin	
12.	Kit*	Spring	
13.	1010391	Buckle	2
14.	Kit*	Bushing	
15.	0008233	1/4 x 20 Locknut	2
16.	1010600	Bag Mast & Plate Weld Assy.	1
17.	1010359	Stem Bushing	1
18.	1010934	5/16 - 18 UNC Hex Head Bolt	3

\* Kit 1011388 - Bushing & Spring Kit  
Includes Item No. 6 (2), No. 11 (1), No. 12 (1), No. 14 (1).

**INCLUDE PART NUMBER OF EACH PART ORDERED AND SERIAL NUMBER OF CAR**



100601 - BAG MAST COMPLETE  
 LESS MOUNTING HARDWARE  
 ITEM NO. 5,7,8,10,17

INCLUDE PART NUMBER OF EACH PART ORDERED AND SERIAL NUMBER OF CAR

Issue Date 8/1/83  
 Effective Serial No. A8036-15260 thru A8146-26294

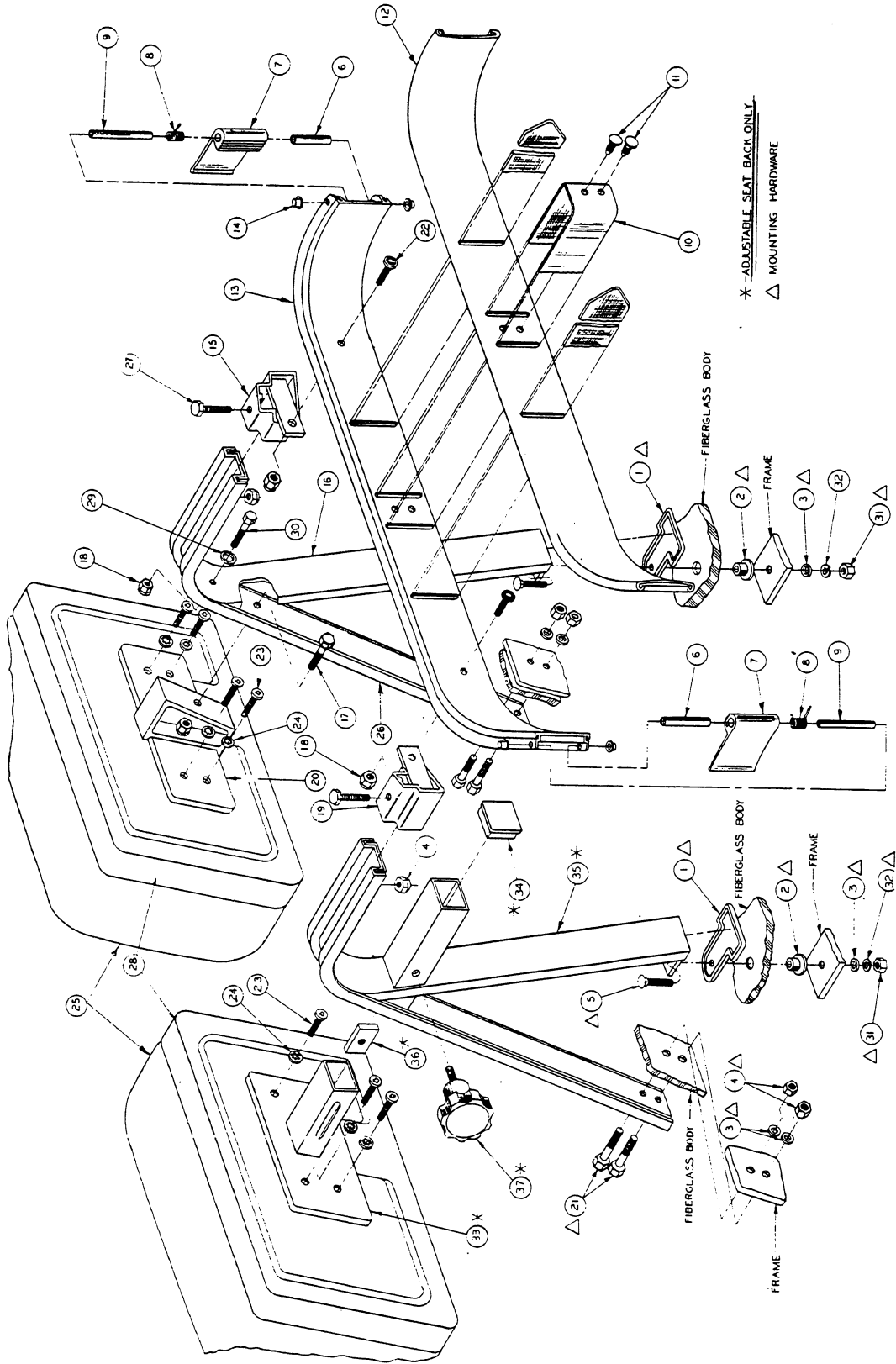
**SEAT BACK AND BAG HOOP ASSEMBLY**

<u>Item No.</u>	<u>Part No.</u>	<u>Description</u>	<u>Qty.</u>	<u>Item No.</u>	<u>Part No.</u>	<u>Description</u>	<u>Qty.</u>
1.	1011706	Mounting Pad	2	19.	1011785	Hoop Mounting Cap Assembly (Left)	1
2.	1010359	Stem Bushing	2	20.	1011716	Plate Mounting Assembly	1
3.	0001241	5/16 Flatwasher	6	21.	0001218	5/16 - 18 x 1 1/4" Hex Hd. Bolt	4
4.	0007473	5/16 - 18 Nylon Locknut	6	22.	1010433	Self Clinching Flush Hd. Stud	2
5.	0007818	5/16 - 18 x 1 1/2" Carriage Bolt	2	23.	0008248	1/4 - 20 x 3/4" Screw	8
6.	1010392	Buckle Bushing	2	24.	0008304	1/4 Internal Tooth Lockwasher	8
7.	1010391	Buckle	2	25.	1011232	Seat Back Sub Assembly (Includes Item 28)	2
8.	1010393	Buckle Spring	2	26.	1011708	Main Seat Back Support	2
9.	1010410	Buckle Retainer Pin	2	27.	0008916	5/16 - 18 x 2 Hex Hd. Bolt	2
10.	1010413	Belt Strap Assembly	2	28.	1011231	Cap Seat Back	2
11.	1010434	Plastic Barrels	1	29.	0000332	1/4 Flatwasher	1
12.	1010420	Vinyl Bag Hoop Trim	2	30.	0007847	1/4 - 20 x 3/4" Hex Head Bolt	1
13.	1010313	Bag Rack Hoop	1	31.	0001242	5/16 - 18 Hex Nut	1
14.	1010394	Washer Cap	4	32.	0007174	5/16 Lock Washer	2
15.	1011787	Hoop Mounting Cap Assembly (Right)	1	33.	1011752	Mounting Plate Weld Assembly	2
16.	1011710	Knee Brace Weld Assembly	1	34.	1011760	Tube Plug	1
17.	0000403	1/4 - 20 x 5/8" Hex Hd. Bolt	1	35.	1011758	Adjustable Seat Back Weld Assembly	1
18.	0008233	1/4 - 20 Nylon Locknut	4	36.	1010322	Seat Adjuster Lock	1
				37.	1011761	Seat Adjuster Knob	1

Kit 1011794 - Adjustable Seat Back Kit  
Includes Items 33 thru 37

1011714 - Bag Hoop and Seat Back Asm. Complete Less Mounting Hardware

**INCLUDE PART NUMBER OF EACH PART ORDERED AND SERIAL NUMBER OF CAR**



**INCLUDE PART NUMBER OF EACH PART ORDERED AND SERIAL NUMBER OF CAR**





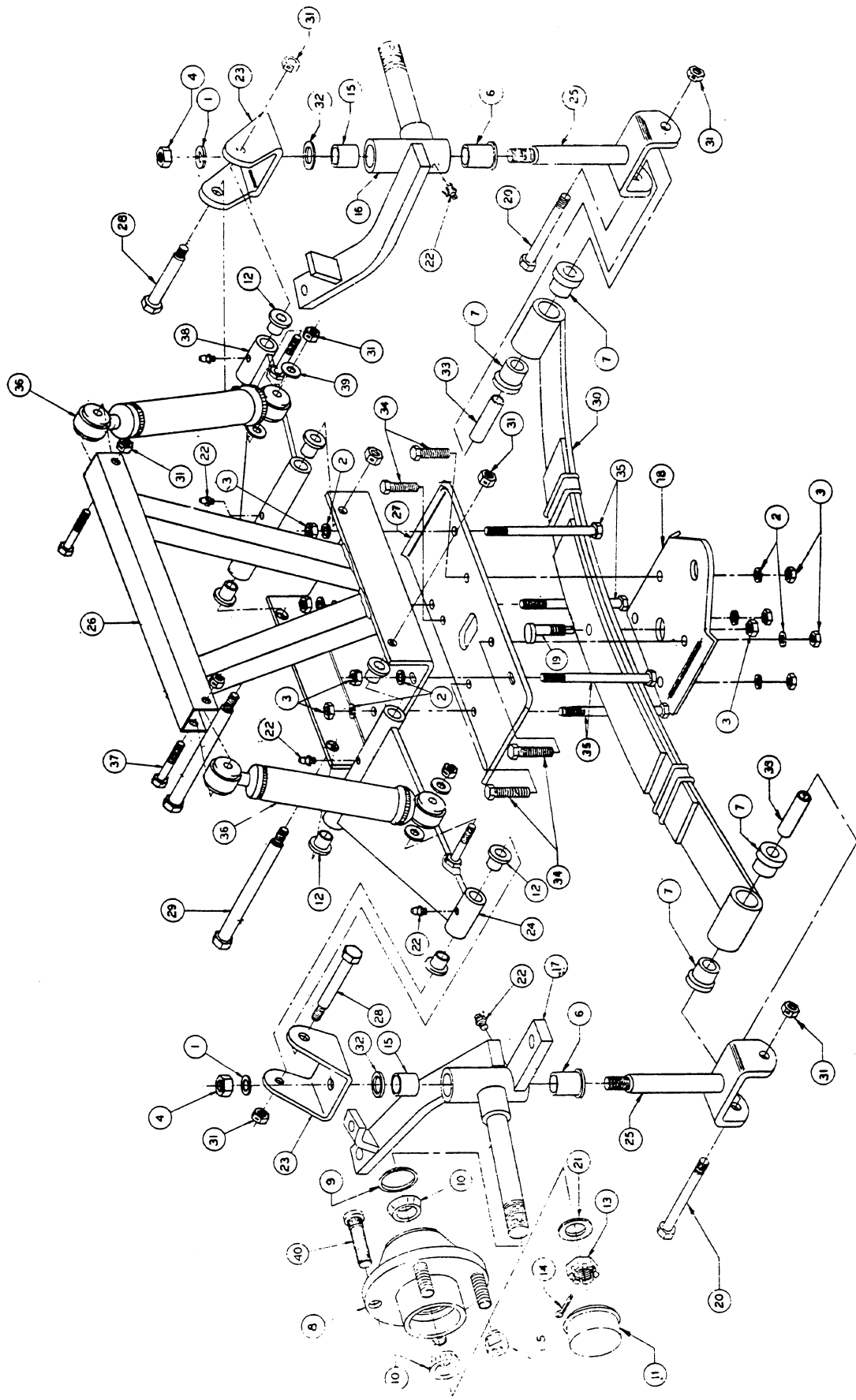
## Section II

# SUSPENSION AND STEERING GROUP

FRONT SUSPENSION

Item No.	Part No.	Description	Qty.	Item No.	Part No.	Description	Qty.
1.	0000209	1/2 Lockwasher	2	21.	1010005	Special Flatwasher	2
2.	0000357	3/8 Lockwasher	8	22.	1010116	Grease Fitting	6
3.	0000706	3/8 - 16 UNC Hex Nut	9	23.	1010117	Clevis Upper	2
4.	0001308	1/2 - 20 UNF Hex Nut	2	24.	1011002	"A" Plate Assembly (R.H.) (Includes Item No. 12, 22)	1
5.	1011390	Lug Nut Package (8 Pcs.)	1	25.	1010121	King Pin Assy.	2
6.	0007048	3/4" Dia. Bronze Bushing	2	26.	1010990	Shock Support Weld Assembly	1
7.	0007050	1/2" Dia. Rubber Bushing	4	27.	1010124	Front Spring Mounting Plate	1
8.	1011892	Hub Assembly (Includes Items 9, 10, 11 & 40)	2	28.	1010125	Shoulder Bolt - 2" Long	2
9.	0007273	Dust Seal (Fits Painted Hub Only)	2	29.	1010126	Shoulder Bolt - 4" Long	2
10.	1011393	Hub Bearing Package (2 Pcs.)	4	30.	1010136	Spring Front (Includes Items 3 & 19)	1
11.	0007275	Dust Cover (Fits Painted Hub Only)	2	31.	1010138	3/8 - 16 UNC Dimpled Locknut	10
12.	0007719	1/2" Dia. Bronze Bushing	8	32.	1010150	Thrust Bearing	2
13.	0007840	3/4 - 16 UNF Slotted Hex Nut	2	33.	1010160	3/8" Dia. Steel Bushing	2
14.	0007910	Cotter Pin	2	34.	1010177	3/8 - 16 UNC x 2.00" Hex Bolt	4
15.	0008067	Spindle Bushing	2	35.	1010200	3/8 - 16 UNC x 4 1/4" Hex Bolt	4
16.	1010348	Spindle Assy. L. H.	1	36.	1010991	Shock Absorber	2
17.	1010347	(Includes Item No. 6, 15, 22)	1	37.	0001624	3/8 - 16 UNC x 1.50" Hex Bolt	2
18.	0008697	(Includes Item No. 6, 15, 22)	1	38.	1011001	"A" Plate Assembly (L.H.) (Includes Item No. 12, 22)	1
19.	0008745	Front Spring Retainer Plate	1	39.	0000334	3/8 Flatwasher	4
20.	0008752	Front Spring Eccentric Adjuster	1	40.	1011304	Lug Stud	8
		3/8 - 16 UNC x 3.00" Hex Bolt	2				

INCLUDE PART NUMBER OF EACH PART ORDERED AND SERIAL NUMBER OF CAR



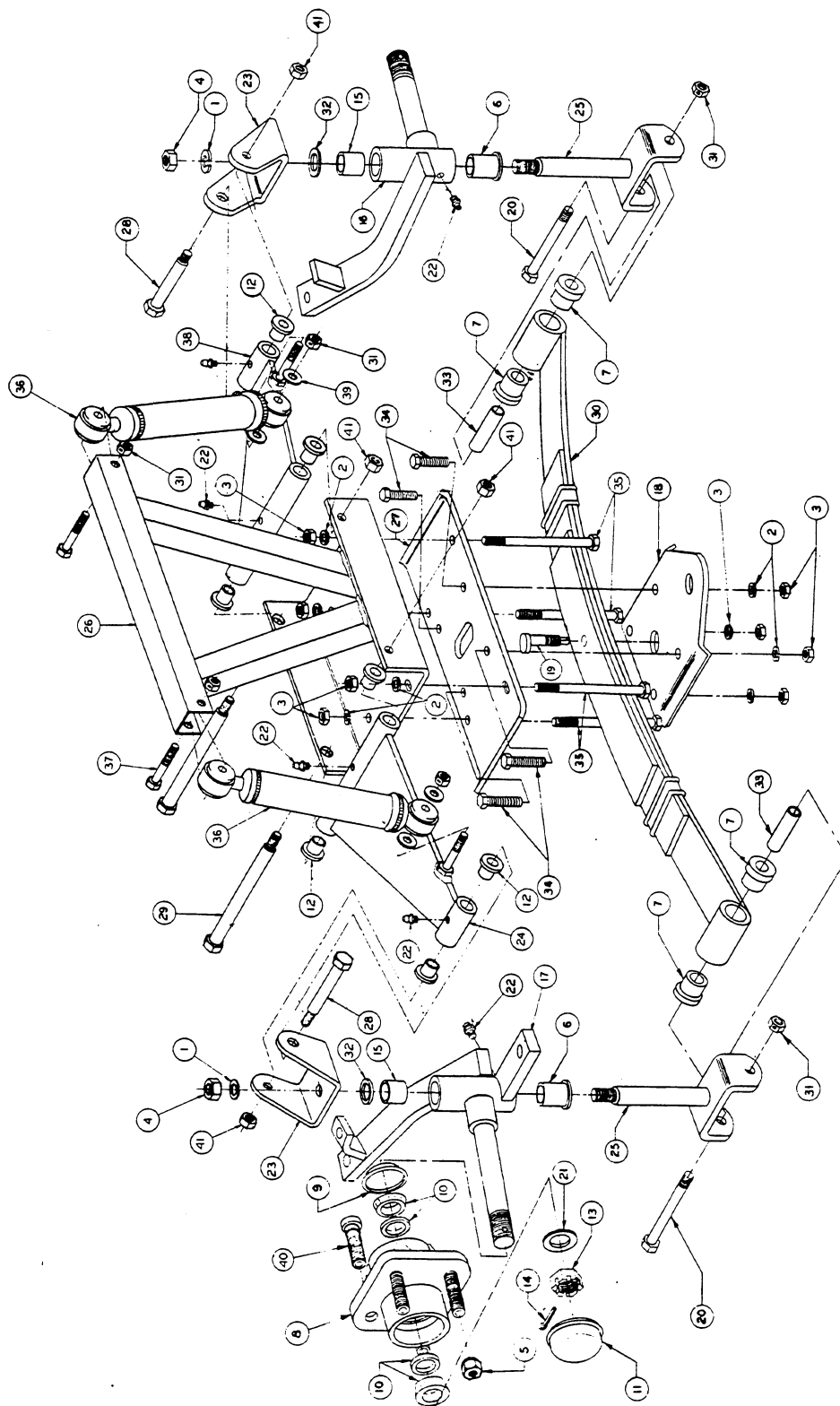
INCLUDE PART NUMBER OF EACH PART ORDERED AND SERIAL NUMBER OF CAR.

Issue Date 8/1/83  
 Effective Serial No A8036-15260 thru A8217-32370

FRONT SUSPENSION

Item No.	Part No.	Description	Qty.	Item No.	Part No.	Description	Qty.
1.	0000209	1/2 Lockwasher	2	21.	1010005	Special Flatwasher	2
2.	0000357	3/8 Lockwasher	8	22.	1010116	Grease Fitting	6
3.	0000706	3/8 - 16 UNC Hex Nut	9	23.	1010117	Clevis Upper	2
4.	0001308	1/2 - 20 UNF Hex Nut	2	24.	1011002	"A" Plate Assembly (R.H.) (Includes Item No. 12, 22)	1
5.	1011390	Lug Nut Package (8 Pcs.)	1	25.	1010121	King Pin Assy.	2
6.	0007048	3/4" Dia. Bronze Bushing	2	26.	1010990	Shock Support Weld Assembly	1
7.	0007050	1/2" Dia. Rubber Bushing	4	27.	1010124	Front Spring Mounting Plate	1
8.	1011894	Hub Assembly (Includes Item No. 10, 40)	2	28.	1010125	Shoulder Bolt - 2" Long	2
9.	1013135	Dust Seal (Fits Aluminum Hub Only)	2	29.	1010126	Shoulder Bolt - 4" Long	2
10.	1011393	Hub Bearing Package (2 Pcs.)	4	30.	1010136	Spring Front	1
11.	1011887	Hub Cover (Fits Aluminum Hub Only)	2	31.	1010138	3/8 - 16 UNC Dimpled Locknut	6
12.	0007719	1/2" Dia. Bronze Bushing	8	32.	1010150	Thrust Bearing	2
13.	0007840	3/4 - 16 UNF Slotted Hex Nut	2	33.	1010160	3/8" Dia. Steel Bushing	2
14.	0007910	Cotter Pin	2	34.	1010177	3/8 - 16 UNC x 2.00" Hex Bolt	4
15.	0008067	Spindle Bushing	2	35.	1010200	3/8 - 16 UNC x 4 1/4" Hex Bolt	4
16.	1010348	Spindle Assy. L. H.	1	36.	1010991	Shock Absorber	2
17.	1010347	(Includes Item No. 6, 15, 22) Spindle Assy. R. H.	1	37.	0001624	3/8 - 16 UNC x 1.50" Hex Bolt	2
18.	0008697	(Includes Item No. 6, 15, 22) Front Spring Retainer Plate	1	38.	1011001	"A" Plate Assembly (L.H.) (Includes Item No. 12, 22)	1
19.	0008745	Front Spring Eccentric Adjuster	1	39.	0000334	3/8 Flatwasher	4
20.	0008752	3/8 - 16 UNC x 3.00" Hex Bolt	2	40.	1011304	Lug Stud	8
				41.	0008754	3/8 - 16 UNC Nylon Locknut	4

INCLUDE PART NUMBER OF EACH PART ORDERED AND SERIAL NUMBER OF CAR



INCLUDE PART NUMBER OF EACH PART ORDERED AND SERIAL NUMBER OF CAR

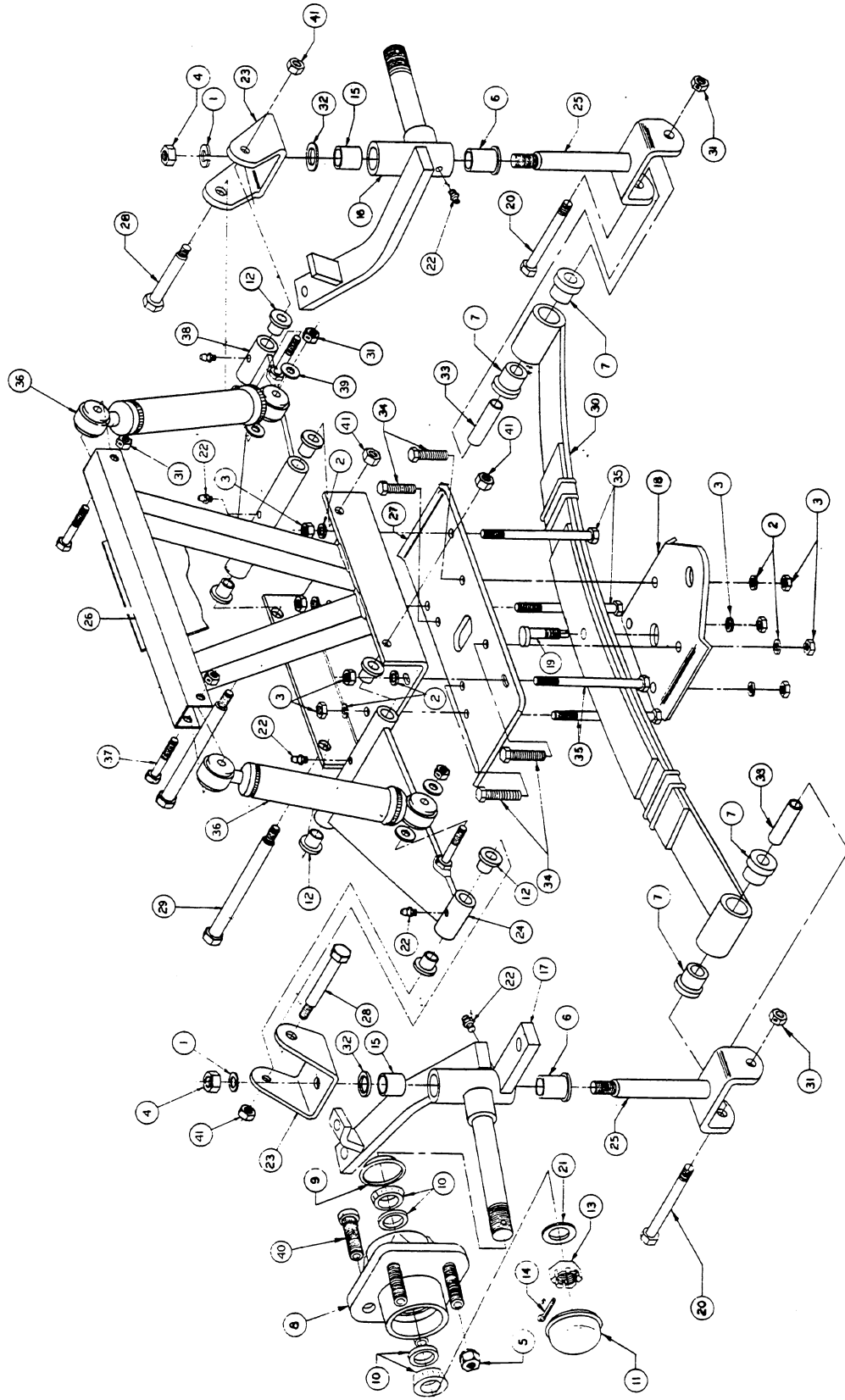
Issue Date  
Effective Serial No. A8217-32371 thru A8411-52366



FRONT SUSPENSION

Item No.	Part No.	Description	Qty.	Item No.	Part No.	Description	Qty.
1.	0000209	1/2 Lockwasher	2	21.	1010005	Special Flatwasher	2
2.	0000357	3/8 Lockwasher	8	22.	1010116	Grease Fitting	6
3.	0000706	3/8 - 16 UNC Hex Nut	9	23.	1010117	Clevis Upper	2
4.	0001308	1/2 - 20 UNF Hex Nut	2	24.	1011002	"A" Plat Assembly (R.H.) (Includes Item No. 12, 22)	1
5.	1011390	Lug Nut Package (8 Pcs.)	1	25.	1010121	King Pin Assy.	2
6.	0007048	3/4" Dia. Bronze Bushing	2	26.	1012496	Shock Support Weld Assembly	1
7.	0007050	1/2" Dia. Rubber Bushing	4	27.	1010124	Front Spring Mounting Plate	1
8.	1011894	Hub Assembly (Includes Item No. 10, 40)	2	28.	1010125	Shoulder Bolt - 2" Long	2
9.	1013135	Dust Seal (Fits Aluminum Hub Only)	2	29.	1010126	Shoulder Bolt - 4" Long	2
10.	1011393	Hub Bearing Package (2 Pcs.)	4	30.	1010136	Spring Front	1
11.	1011887	Dust Cover (Fits Aluminum Hub Only)	2	31.	1010138	3/8 - 16 UNC Dimpled Locknut	6
12.	0007719	1/2" Dia. Bronze Bushing	8	32.	1010150	Thrust Bearing	2
13.	0007840	3/4 - 16 UNF Slotted Hex Nut	2	33.	1010160	3/8" Dia. Steel Bushing	2
14.	0007910	Cotter Pin	2	34.	1010177	3/8 - 16 UNC x 2.00" Hex Bolt	4
15.	0008067	Spindle Bushing	2	35.	1010200	3/8 - 16 UNC x 1 1/4" Hex Bolt	4
16.	1010348	Spindle Assy. L. H.	1	36.	1010991	Shock Absorber	2
17.	1010347	(Includes Item No. 6, 15, 22)	1	37.	0001624	3/8 - 16 UNC x 1.50" Hex Bolt	2
18.	0008697	Spindle Assy. R. H.	1	38.	1011001	"A" Plate Assembly (L.H.) (Includes Item No. 12, 22)	1
19.	0008745	(Includes Item No. 6, 15, 22)	1	39.	0000334	3/8 Flatwasher	4
20.	0008752	Front Spring Retainer Plate	1	40.	1011304	Lug Stud	8
		Front Spring Eccentric Adjuster	2	41.	0008754	3/8 - 16 UNC Nylon Locknut	4
		3/8 - 16 UNC x 3.00" Hex Bolt	2				

INCLUDE PART NUMBER OF EACH PART ORDERED AND SERIAL NUMBER OF CAR



INCLUDE PART NUMBER OF EACH PART ORDERED AND SERIAL NUMBER OF CAR

STEERING GROUP

Item No.	Part No.	Description	Qty.	Item No.	Part No.	Description	Qty.
1.	0008584	Steering Wheel	1	22.	0007540	Vertical Socket (L.H. Thread)	2
2.	0007209	Steering Wheel Nut	1	23.	1010648	Etiquette Decal	1
3.	0007834	Sponge Washer	1	24.	1010535	Pencil Holder	1
4.	0007841	Plastic Steering Column Bushing	1	25.	1010534	Double Torsion Spring	1
5.	N/A	Housing and Jacket Tube Assembly		26.	1010715	Tri-Lobular Phillips Truss Head Screw	1
6.	0000320	3/8 - 16 UNC x 1" Hex Bolt	4	27.	0007216	5/16 - 18 UNC Flat Hd. Screw	1
7.	0008754	3/8 - 16 UNC Locknut	4	28.	1010671	Scorecard Plate	1
8.	0008233	1/4 - 20 UNC Locknut	2	29.	Kit*	Ball Cup	1
9.	0000357	3/8 Lockwasher	3	30.	Kit*	Roller Retainer Assembly	1
10.	0000705	3/8 - 16 UNC x 1 1/4" Hex Bolt	3	31.	N/A	Worn Shaft	
11.	1010192	Steering Box Mounting Plate	1	32.	Kit*	Ball Cup Washer	1
12.	0000334	3/8 Flatwasher	4	33.	1011363	Adjusting Plug	1
13.	0007539	Vertical Socket (R.H. Thread)	2	34.	1011373	Cotter Pin	1
14.	0007602	3/8 - 24 UNF Hex Nut	4	35.	Kit**	Foam Seal	1
15.	0001035	3/32 x 1" Cotter Pin	4	36.	Kit**	Foam Seal Retainer	1
16.	0001308	1/2 - 20 UNC Hex Nut	2	37.	1011367	Output Cam	1
17.	1011770	Base Plate	2	38.	1011368	Adjusting Screw	1
18.	1011764	Mounting Clamp	2	39.	1011369	9/16 - 18 UNF Hex Jam Nut	1
19.	1010219	Tie Rod	1	40.	1011370	3/4 - 16 UNF Jam Nut	2
20.	0008756	Drag Link	1	41.	1011371	3/4 Flatwasher	1
21.	0007555	1/2 - 20 UNF Hex Nut (L.H. Thread)	2	42.	0000343	1/4 - 20 UNC x 3" Hex Head Bolt	2

\* Kit 1011401 - Ball Cup & Retainer Kit

Includes Item No. 29 (2), No. 30 (2), No. 32 (1)

\*\* Kit 1011400 - Foam Seal Kit

Includes Item No. 35 (1), No. 36 (1)

Kit 1011417 - Scorecard Kit

Includes Item No. 28, No. 26, No. 25, No. 24, No. 23

Kit 1011772 - Steering Column Clamp Kit

Includes Item No. 17, No. 18, No. 42

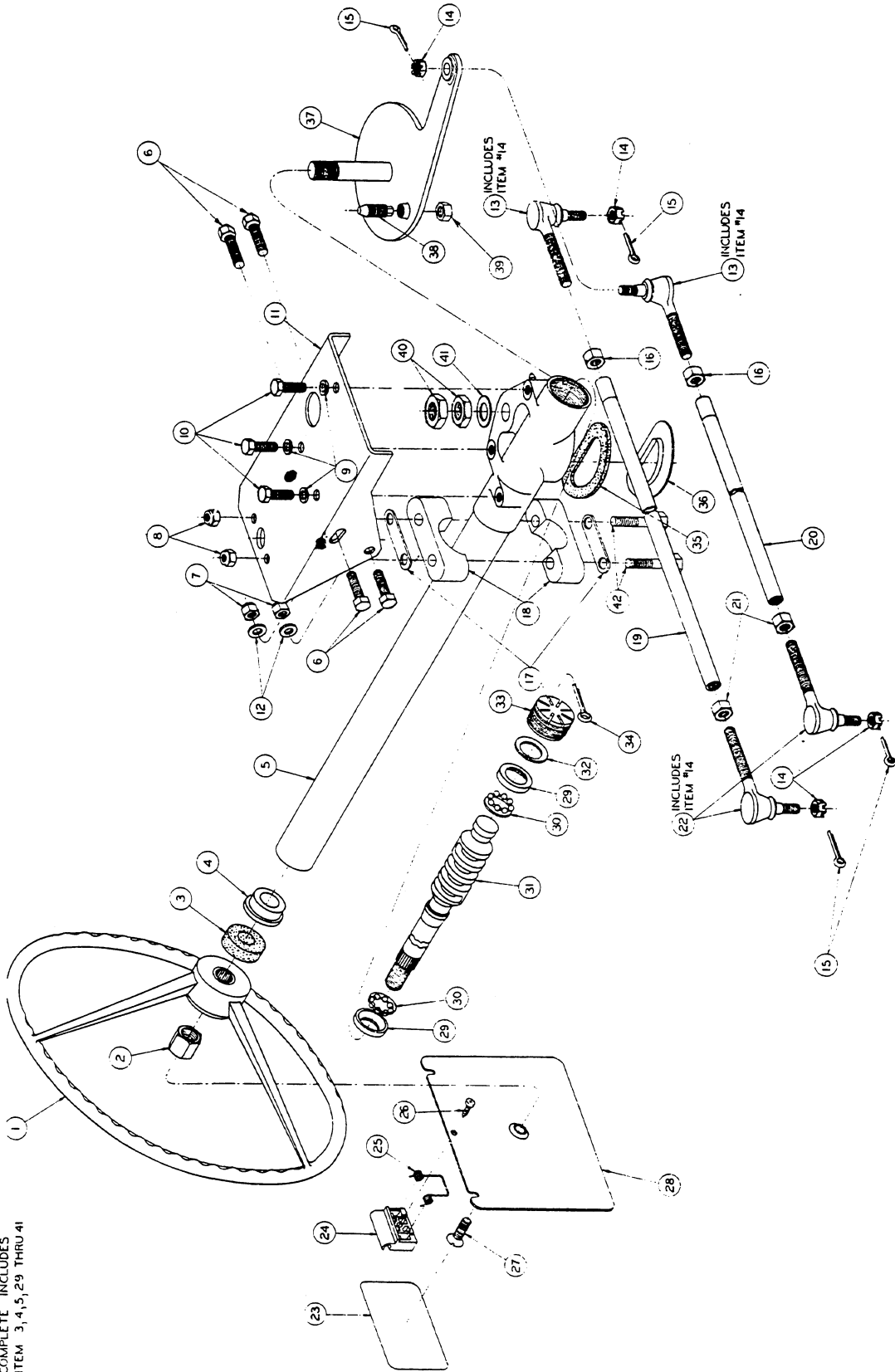
INCLUDE PART NUMBER OF EACH PART ORDERED AND SERIAL NUMBER OF CAR

Issue Date

Effective Serial No. A8036-15260 thru A8411-52366



100018 - STEERING GEAR  
COMPLETE INCLUDES  
ITEM 3, 4, 5, 29 THRU 41



INCLUDE PART NUMBER OF EACH PART ORDERED AND SERIAL NUMBER OF CAR

RACK & PINION STERING GROUP

Item No.	Part No.	Description	Qty.		
1.	1012569	Wheel, Steering	1	29.	1013035 Seal, Dust
2.	7209	Nut, Scorecard	1	30.	1013034 Band, Bellows
3.	1012547	Plate, Scorecard	1	31.	1013052 Dust Seal, Steering Pinion
4.	1012565	Screw, Ph. Truss Hd.	2	32.	1013051 Ring, Snap
5.	1012566	Spring, Compression	2	33.	1013050 Bearing
6.	1012504	Holder, Pencil	1	34.	1013048 Bushing, Pinion
7.	1010648	Decal, Scorecard	1	35.	1013047 Box, Steering Gear
8.	7216	Screw, Sq. Flat Hd. 5/16 - 18	1	36.	1010138 Locknut, 3/8 - 16
9.	1012608	Shaft	1	37.	1013036 Bushing, Rack
10.	8754	Locknut, 3/8 - 16	4	38.	1013037 Ring, Snap
11.	334	Flatwasher, 3/8	4	39.	1013041 End, Rack
12.	320	Bolt, 3/8 - 16 Hex	4	40.	1013042 Nut, 12 mm Hex
13.	1012464	Plate, Steering Mtg.	1	41.	1012498 Flatwasher, 3/8
14.	1012528	Nut, 8 mm x 1.25 Hex	4	42.	1624 Bolt, 3/8 - 16 Hex
15.	7174	Lockwasher, 5/16"	7	43.	1013046 Guide, Steering Rack
16.	1012454	Joint, Yoke Compound Steering	1	44.	1013045 Spring, Rack Guide Pressure
17.	1012830	Bolt, 8 mm Hex	3	45.	1013044 Locknut, Rack Screw
18.	1012605	Ring, Retaining	2	46.	1013043 Screw, Rack Guide
19.	1012604	Washer	2	47.	1010116 Fitting, Grease
20.	1012607	Ring, Snap	1	48.	7540 Socket, Verticle L.H. (Includes Items 47 & 49)
21.	1012606	Washer	2	49.	7602 Nut, 3/8 - 24 Slotted Hex
22.	1012609	Bearing, Bottom	1	50.	7555 Nut, L. H. Jam 1/2 - 20
23.	1012603	Column Weld Asm.	1	51.	1010219 Rod, Tie
24.	1012465	Bearing, Top	1	52.	1308 Nut, 1/2 - 20 Hex
25.	1012466	Cover, Dust	1	53.	7539 Socket, Verticle R. H. (Includes Items 47 & 49)
26.	1013053	Bolt, 12 mm Stopper	1	54.	1085 Pin, Cotter
27.	1013040	Lockwasher, Tie Rod	2	55.	1012467 Link, Drag
28.	1013039	Washer, Tie Rod Stopper	2		

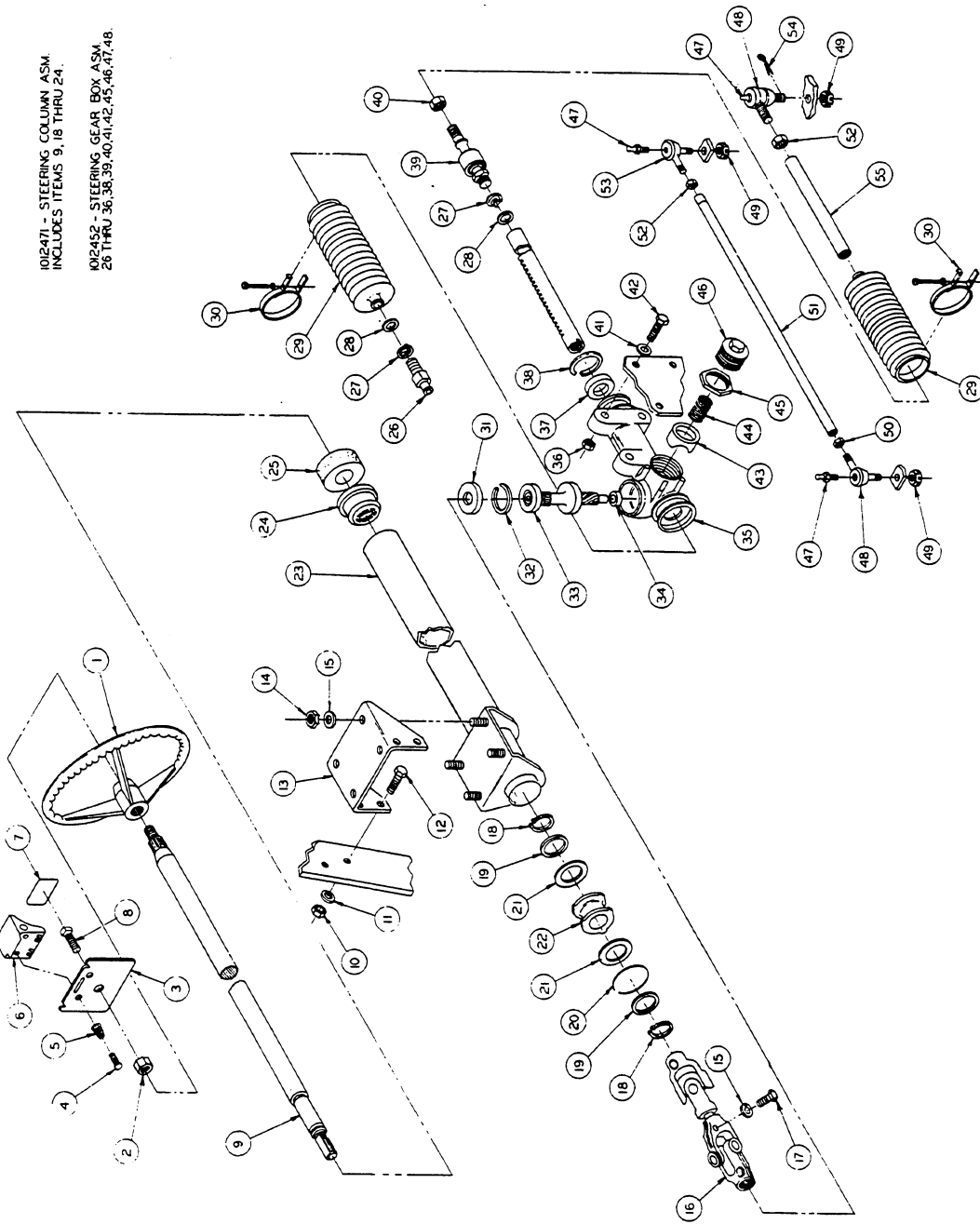
INCLUDE PART NUMBER OF EACH PART ORDERED AND SERIAL NUMBER OF CAR

Issue Date

Effective Serial No. A8411-52367 thru

1012471 - STEERING COLUMN ASM.  
INCLUDES ITEMS 9, 18 THRU 24.

1012452 - STEERING GEAR BOX ASM.  
26 THRU 30, 38, 39, 40, 41, 42, 45, 46, 47, 48.



INCLUDE PART NUMBER OF EACH PART ORDERED AND SERIAL NUMBER OF CAR.

**REAR SUSPENSION**

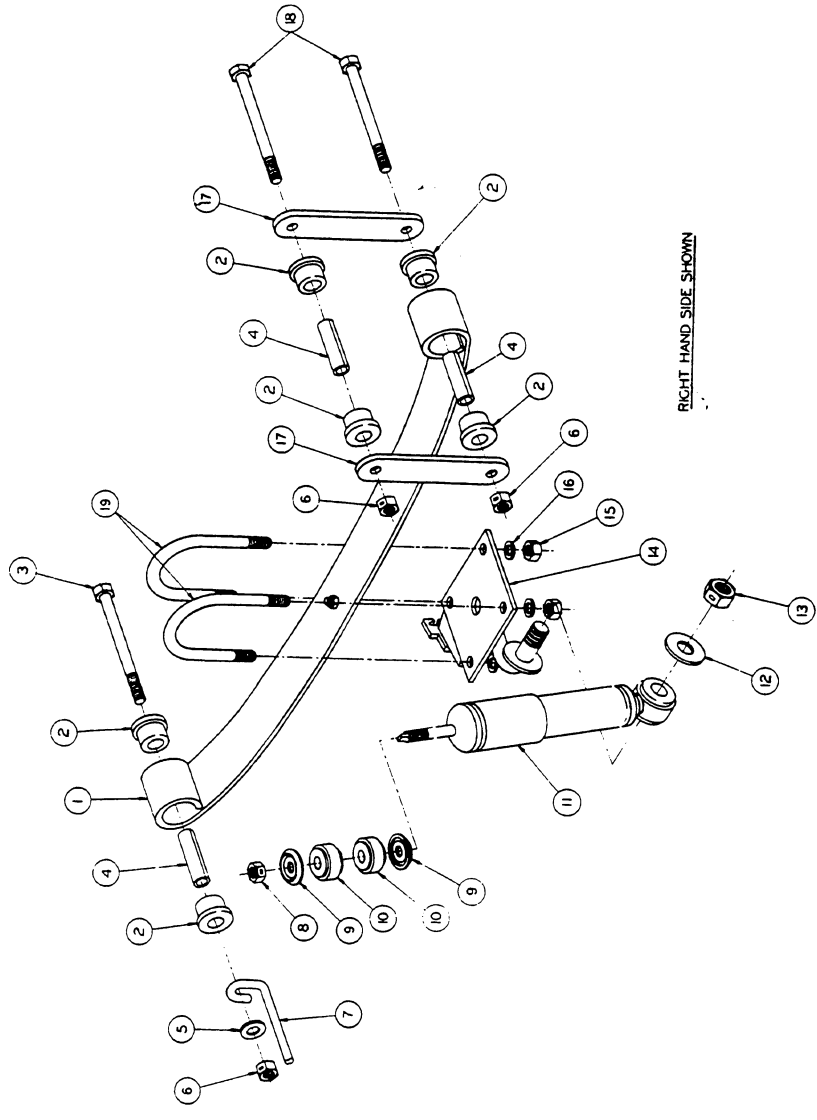
<u>Item No.</u>	<u>Part No.</u>	<u>Description</u>	<u>Qty.</u>
1.	1010974	Rear Spring	2
2.	Kit**	Rubber Bushing	
3.	0007228	3/8 - 16 UNC x 3 3/4" Hex Bolt	2
4.	Kit**	Steel Bushing	
5.	0000334	3/8 Flatwasher	2
6.	1010138	3/8 - 16 UNC Dimpled Locknut	6
7.	1011206	Brake Cable Support	1
8.	1010145	3/8 - 24 UNF Hex Nut	2
9.	Kit**	Cushion Retainer	
10.	Kit**	Shock Absorber Cushion	
11.	Kit*	Shock Absorber	2
12.	1010193	5/8 Flatwasher	2
13.	1010188	5/8 - 11 UNC Dimpled Locknut	2
14A.	1011187	Shock Mount Weld Asm. (R.H.)	1
14B.	1011186	Shock Mount Weld Asm. (L.H.)	1
15.	0000706	3/8 - 16 UNC Hex Nut	8
16.	0000357	3/8 Lockwasher	8
17.	0007569	Rear Spring Shoe	4
18.	0008752	3/8 - 16 UNC x 3" Hex Bolt	4
19.	1010338	"U" Bolt	

\* Kit 1011414 - Shock Absorber Kit  
Includes Item No. 11 (2) and Kit No. 1011415 (2)

\*\* Kit 1011415 - Shock Absorber Cushion Kit  
Includes Item No. 9 (2), No. 10 (2)

\*\*\* Kit 1011416 - Spring Bushing Kit  
Includes Item No. 2 (2), No. 4 (1)

**INCLUDE PART NUMBER OF EACH PART ORDERED AND SERIAL NUMBER OF CAR**



INCLUDE PART NUMBER OF EACH PART ORDERED AND SERIAL NUMBER OF CAR

Issue Date  
 Effective Serial No. A8036-15260 thru A8405-5906

REAR SUSPENSION

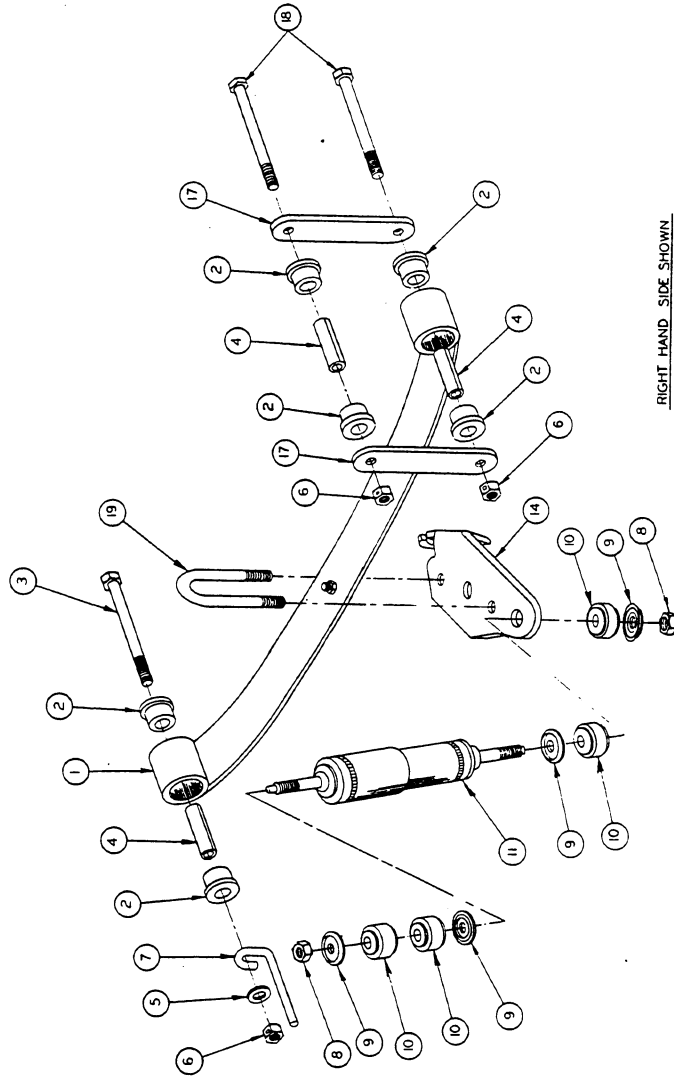
<u>Item No.</u>	<u>Part No.</u>	<u>Description</u>	<u>Qty.</u>
1.	1010974	Rear Spring	2
2.	Kit***	Rubber Bushing	
3.	0007228	3/8 - 16 UNC x 3 3/4" Hex Bolt	2
4.	Kit***	Steel Bushing	
5.	0000334	3/8 Flatwasher	2
6.	1010138	3/8 - 16 UNC Dimpled Locknut	6
7.	1011206	Brake Cable Support	1
8.	1010145	3/8 - 24 UNF Hex Nut	2
9.	Kit**	Cushion Retainer	
10.	Kit**	Shock Absorber Cushion	
11.	Kit*	Shock Absorber	2
12.	1010193	5/8 Flatwasher	2
13.	1010188	5/8 - 11 UNC Dimpled Locknut	2
14A.	1012182	Shock Mount Weld Asm. (R.H.)	1
14B.	1012181	Shock Mount Weld Asm. (L.H.)	1
15.	0008938	7/16 - 14 Hex Hd. Nut	4
16.	0000720	7/16 Lockwasher	4
17.	0007569	Rear Spring Shackle	4
18.	0008752	3/8 - 16 UNC x 3" Hex Bolt	4
19.	1012180	"U" Bolt	2

\* Kit 1013164 Shock Absorber Kit  
Included Item No. 11 (2) and Kit No. 1011415 (4)

\*\* Kit 1011415 - Shock Absorber Cushion Kit  
Includes Item No. 9 (2), No. 10 (2)

\*\*\* Kit 1011416 - Spring Bushing Kit  
Includes Item No. 2 (2), No. 4 (1)

INCLUDE PART NUMBER OF EACH PART ORDERED AND SERIAL NUMBER OF CAR



RIGHT HAND SIDE SHOWN

INCLUDE PART NUMBER OF EACH PART ORDERED AND SERIAL NUMBER OF CAR

Issue Date \_\_\_\_\_  
 Effective Serial No. A8405-50907 thru \_\_\_\_\_





## Section III

# DRIVE TRAIN GROUP



DRIVE UNIT ASSEMBLY

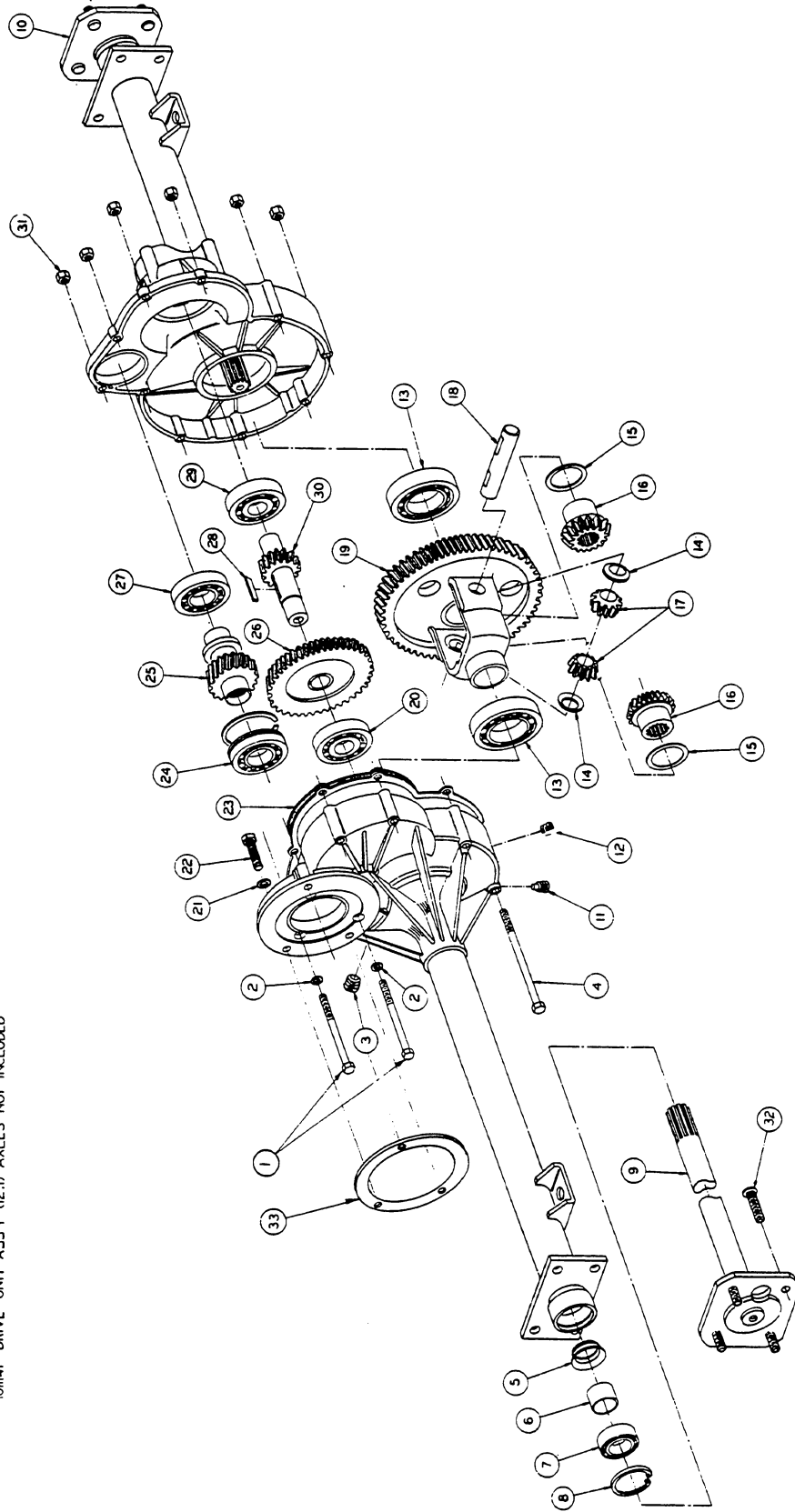
Item No.	Part No.	Description	Qty.	Item No.	Part No.	Description	Qty.
1.	0000343	1/4 - 20 UNC x 3" Hex Head Bolt	4	18.	0007325	Differential Pin	1
2.	0008243	Nylite Rolled Washer	3	19.	Kit***	Output Gear	1
3.	1011430	3/8 NPT Breather Plug	1	20.	0007335	Intermediate Pinion Gear Bearing	1
4.	1011431	1/4 - 20 UNC x 4" Hex Head Bolt	6	21.	0000357	3/8 Lockwasher	3
5.	0007906	Oil Seal	2	22.	0001624	3/8 - 16 UNC x 1 1/2" Hex Head Bolt	3
6.	N/A	Included in Item No. 9 and No. 10		23.	0007346	Housing Gasket	1
7.	N/A	Included in Item No. 9 and No. 10		24.	0007333	Input Pinion Gear Bearing	1
8.	N/A	Included in Item No. 9 and No. 10		25.	Kit*	Input Pinion (12:1)	1
9.	1011136	Axle Assembly R. H. (Long)	1	26.	Kit*	Intermediate Gear (12:1)	1
10.	1011135	Axle Assembly L. H. (Short)	1	27.	0007332	Input Pinion Gear Bearing	1
11.	0007345	Magnetic Drain Plug	1	28.	0007337	Intermediate Gear Key	1
12.	0007344	Drain Plug	1	29.	0007336	Intermediate Pinion Gear Bearing	1
13.	0007330	Output Gear Bearing	2	30.	Kit***	Intermediate Pinion	1
14.	0007326	Spherical Washer	2	31.	1011438	1/4 - 20 UNC Palmut	1
15.	0007328	Thrust Washer	2	32.	1011304	.50 Lug Stud	10
16.	1011432	Differential Gear	2	33.	0007264	Motor Gasket	8
17.	1011433	Differential Idler Gear	2				1

\*Kit - 1011481 - Input Pinion & Intermediate Gear Kit (12:1)  
Includes: Item No. 25 (1), No. 26 (1)

\*\*\*Kit - 1011442 - Intermediate Pinion & Output Gear Kit  
Includes Item No. 19 (1), No. 30 (1)

INCLUDE PART NUMBER OF EACH PART ORDERED AND SERIAL NUMBER OF CAR

1031141 - DRIVE UNIT ASSY (12:1) AXLES NOT INCLUDED



INCLUDE PART NUMBER OF EACH PART ORDERED AND SERIAL NUMBER OF CAR

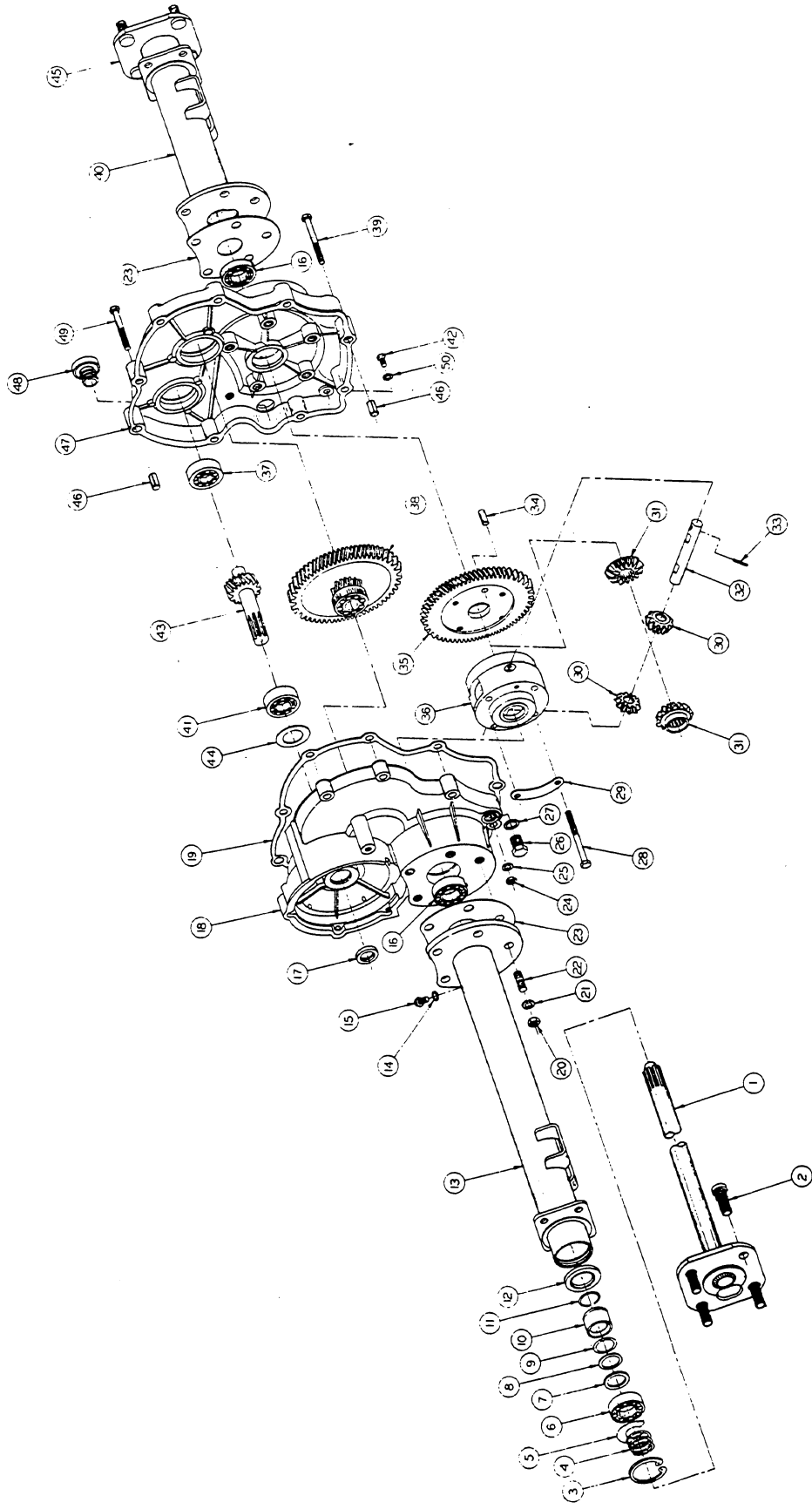
Issue Date 8/1/83

Effective Serial No. A8036-15260 thru A8405-50906

DRIVE UNIT ASSEMBLY

Item No.	Part No.	Description	Qty.	Item No.	Part No.	Description	Qty.
1.	1012669	R. H. Axle Shaft Asm. Includes Items 2 (4), 3 (1), 4 (1), 6 (1), 7 (1), 8 (1), 9 (1), 10 (1), 11 (1)		27.	1012667	Gasket	1
2.	1011304	Axle Flange Stud		28.	1012570	8 mm x 55 mm Carrier Bolt	4
3.	1012670	Snap Ring	1	29.	1012699	Locking Tab	2
4.	1012676	Coil Spring	8	30.	1012695	Diff. Pinion Gear	2
5A.	1012671	Shim	2	31.	1012696	Diff. Side Gear	2
5B.	1012573	Shim	2	32.	1012697	Pinion Mate Shaft	2
6.	1012677	Sealed Bearing	2	33.	1012702	Spring Pin	1
7.	1012678	Washer	2	34.	1012701	Parallel Pin	1
8.	1012672	Washer	2	35.	1012694	Output Gear	1
9.	1012673	O-Ring	2	36.	1012698	Diff. Case	1
10.	1212674	Sleeve	2	37.	1012687	Bearing	1
11.	1012675	Stopper Ring	2	38.	1013177	Intermediate Gear Asm.	1
12.	1012683	Oil Seal	2	39.	1012706	Screw	6
13.	1012680	R. H. Axle Tube	2	40.	1012679	L. H. Axle Tube	1
14.	1012682	Seal Washer	1	41.	1012686	Bearing	1
15.	1012681	Breather Plug	1	42.	1012662	Level Plug	1
16.	1012685	Bearing	1	43.	1012707	Input Shaft & Gear	1
17.	1012665	Oil Seal	2	44.	1012688	Shim	1
18.	1012660	R. H. Housing	1	45.	1012668	L. H. Axle Shaft Asm.	1
19.	1012703	Housing Gasket	1			Includes Items 2 (4), 3 (1), 4 (1), 6 (1), 7 (1), 8 (1), 9 (1), 10 (1), 11 (1)	2
20.	1012708	Nut	10	46.	1012704	Parallel Pipe Pin	1
21.	1012700	Spring Lock Washer	10	47.	1012659	L. H. Housing	1
22.	1012661	Stud	10	48.	1012664	Rubber Plug	1
23.	1012684	Axle Tube Gasket	10	49.	1012705	Screw	4
24.	1012528	Nut	2	50.	1012663	Gasket	1
25.	0007174	Spring Lockwasher	9				
26.	1012666	Drain Plug	1				

INCLUDE PART NUMBER OF EACH PART ORDERED AND SERIAL NUMBER OF CAR



INCLUDE PART NUMBER OF EACH PART ORDERED AND SERIAL NUMBER OF CAR

Issue Date 12/20/84  
 Effective Serial No. A8405-50907 thru \_\_\_\_\_



GENERAL ELECTRIC 2 H.P. MOTOR  
MODEL NO. 5BC48JB691 & A

GENERAL ELECTRIC 2.5 H.P. MOTOR  
MODEL NO. 5BC48JB722

<u>Item No.</u>	<u>Part No.</u>	<u>Description</u>	<u>Qty.</u>
1.	1011275	Motor Clamp Screw (CE)	2
2.	Kit*	Insulated Washer	
3.	Kit*	5/16 Flat washer	
4.	Kit*	Insulated Bushing	
5.	Kit*	Insulated Washer	
6.	Kit*	Locknut	
7.	1011409	Rubber Gasket Package (4 Pcs)	1
8.	1011410	Brush Package (2 Pcs)	1
9.	1011283	Screw, Brush Rigging	2
10.	1011284	Brush Rigging	1
11.	1011411	Brush Spring Package (4 Pcs)	1
12.	1011412	Screw, Pole Piece Package (8 Pcs)	1
13.	1011413	Field Pole Piece Package (4 Pcs)	1
14A.	1011288	Field Coils (2.0 HP)	1
14B.	1011289	Field Coils (2.5 HP)	1
15.	1011290	Ball Bearing (CE)	1
16.	1011291	Ball Bearing (PE)	1
17.	Kit**	Shim Washer (PE)	
18.	Kit**	Conical Washer (PE)	
19.	Kit**	Spacer Washer (PE)	
20.	1011295	Shaft Seal	1
21.	1011276	Motor Clamp Screw (PE)	2

\*Kit 1011407 - G. E. Hardware Kit

Includes Item No. 2 (1), No. 3 (1), No. 4 (1), No. 5 (1), No. 6 (1)

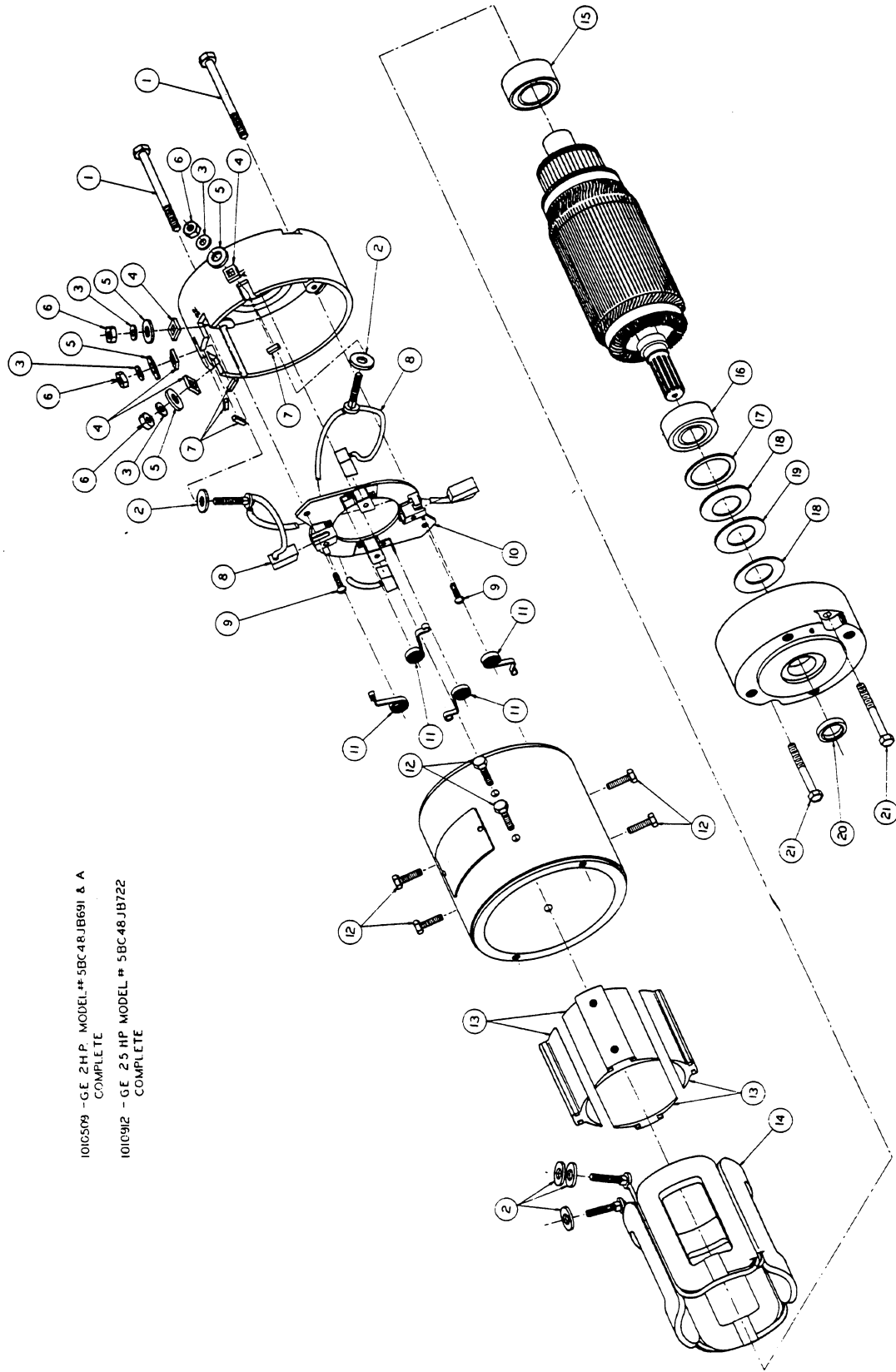
\*\*Kit 1011408 - Washer Kit

Includes Item No. 17 (1), No. 18 (2), No. 19 (1)

INCLUDE PART NUMBER OF EACH PART ORDERED AND SERIAL NUMBER OF CAR

Issue Date 8/1/83

Effective Serial No. A8036-15260 thru A8405-50906



101C509 -GE 2 HP MODEL # 5BC48-JB691 & A  
COMPLETE  
101C912 -GE 25 HP MODEL # 5BC48-JB722  
COMPLETE

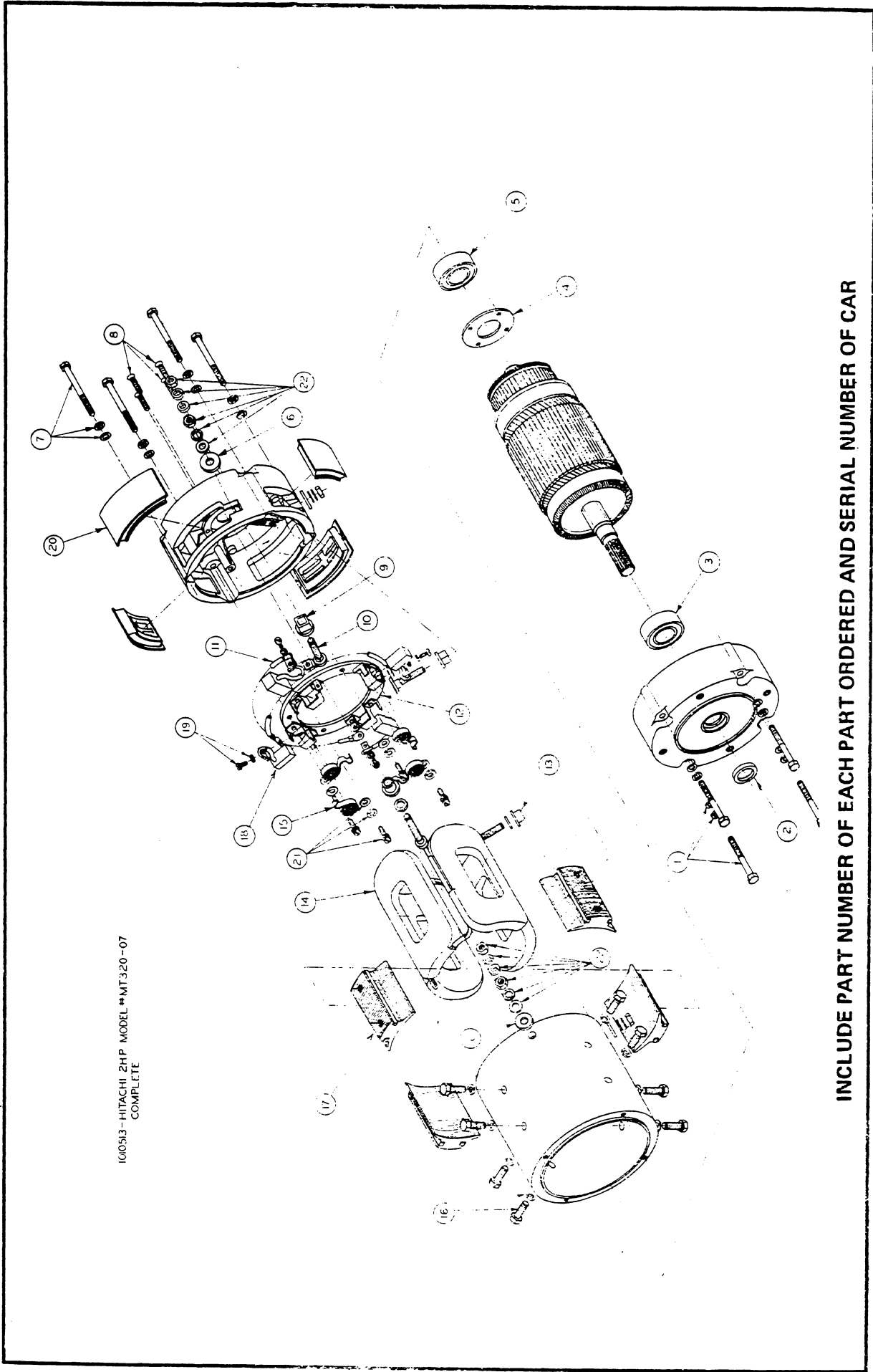
**INCLUDE PART NUMBER OF EACH PART ORDERED AND SERIAL NUMBER OF CAR**

HITACHI 2 H.P. MOTOR  
MODEL NO. MT320-07

<u>Item No.</u>	<u>Part No.</u>	<u>Description</u>	<u>Qty.</u>
1.	1011315	F-Bracket Bolt	4
2.	1011316	Oil Seal	1
3.	1011317	Ball Bearing	1
4.	1011318	Bearing Retainer	1
5.	1011319	Ball Bearing	1
6.	1011320	Insulating Washer	4
7.	1011321	(B) Bracket Bolt	4
8.	1011322	Bearing Retainer Screw	4
9.	1011323	Insulating Tube	2
10.	1011324	Terminal Bolt	2
11.	1011421	Jumper Wire Package (2 Pcs.)	1
12.	1011326	Brush Holder Assembly	1
13.	1011327	Insulating Tube	2
14.	1011328	Field Coil	1
15.	1011420	Brush Spring Package (4 Pcs.)	1
16.	1011422	Pole Piece Bolt Package (8 Pcs.)	1
17.	1011423	Pole Piece Package (4 Pcs.)	1
18.	1011424	Brush Package (4 Pcs.)	1
19.	1011333	Brush Screw	4
20.	1011334	Brush Cover	4
21.	1011335	Brush Holder Assembly Screw	4
22.	1011347	Terminal Kit	4

INCLUDE PART NUMBER OF EACH PART ORDERED AND SERIAL NUMBER OF CAR





1G0513-HITACHI 2HP MODEL #MT320-07  
COMPLETE

INCLUDE PART NUMBER OF EACH PART ORDERED AND SERIAL NUMBER OF CAR

Issue Date 8/1/83  
Effective Serial No. A8036-15260 thru A8405-50906

CLUB CAR MODEL NO. 1012191

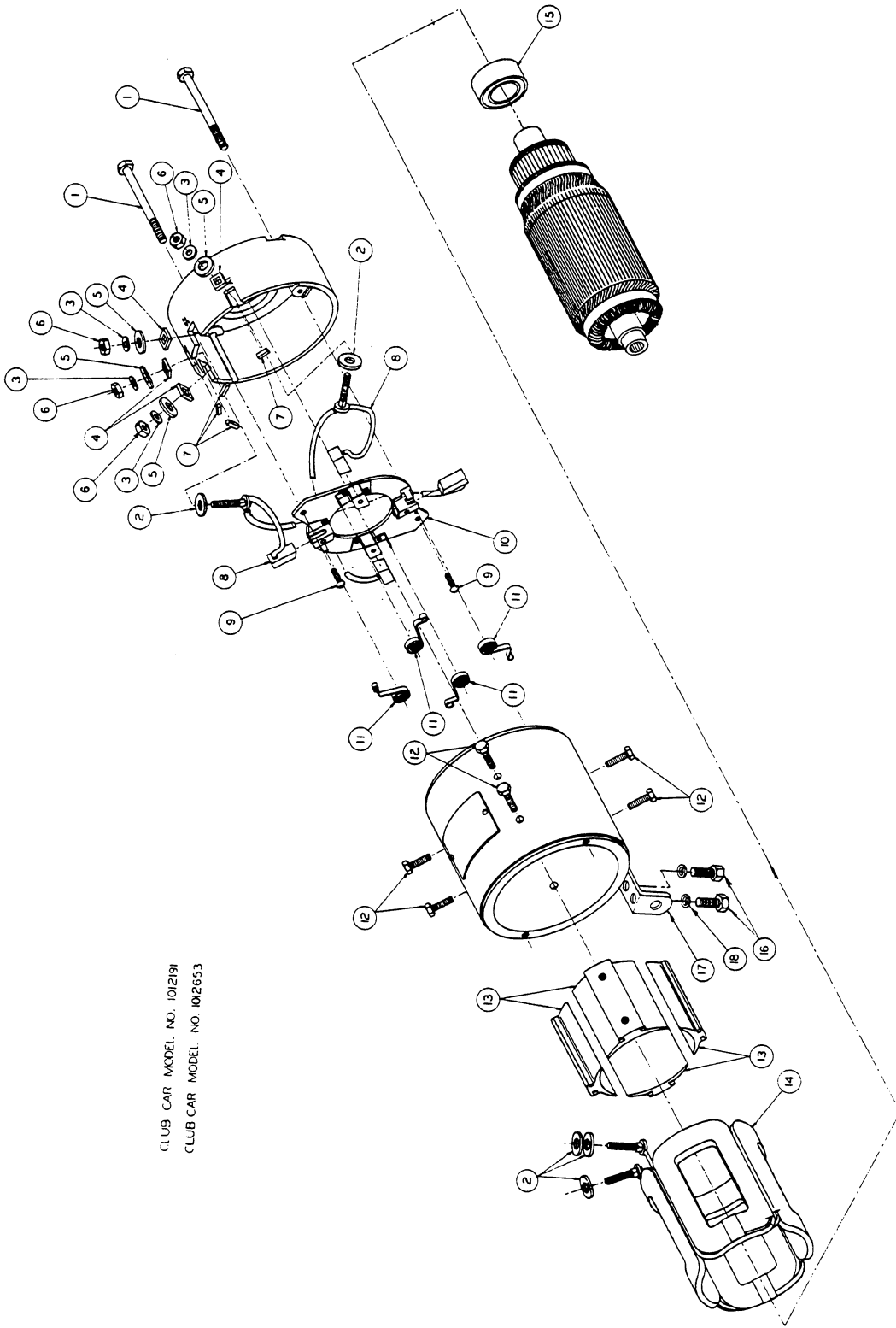
CLUB CAR MODEL NO. 1012653

<u>Item No.</u>	<u>Part No.</u>	<u>Description</u>	<u>Qty.</u>
1.	1011275	Motor Clamp Screw (CE)	2
2.	Kit*	Insulated Washer	
3.	Kit*	5/16 Flatwasher	
4.	Kit*	Insulated Bushing	
5.	Kit*	Insulated Washer	
6.	Kit*	Locknut	
7.	1011409	Rubber Gasket Package (4 Pcs)	1
8.	1011410	Brush Package (2 Pcs)	1
9.	1011283	Screw, Brush Rigging	2
10.	1011284	Brush Rigging	1
11.	1011411	Brush Spring Package (4 Pcs)	1
12.	1011412	Screw, Pole Piece Package (8 Pcs)	1
13.	1011413	Field Pole Piece Package (4 Pcs)	1
14A.	1011288	Field Coils Model 1012191	1
14B.	1011289	Field Coils Model 1012653	1
15.	1011290	Ball Bearing (CE)	1
16.	0007847	1/4 - 20 x 3/4 Hex Hd. Bolt	2
17.	1012177	Motor/Axle Clip	1
18.	0000451	1/4 Lockwasher	2

\* Kit 1011407 - G. E. Hardware Kit  
Included Item No. 2 (1), No. 3 (1), No. 4 (1), No. 5 (1), No. 6 (1).

INCLUDE PART NUMBER OF EACH PART ORDERED AND SERIAL NUMBER OF CAR

Issue Date \_\_\_\_\_  
Effective Serial No. A8405-50907 thru \_\_\_\_\_



CLUB CAR MODEL NO. 1012191  
 CLUB CAR MODEL NO. 1012653

**INCLUDE PART NUMBER OF EACH PART ORDERED AND SERIAL NUMBER OF CAR**

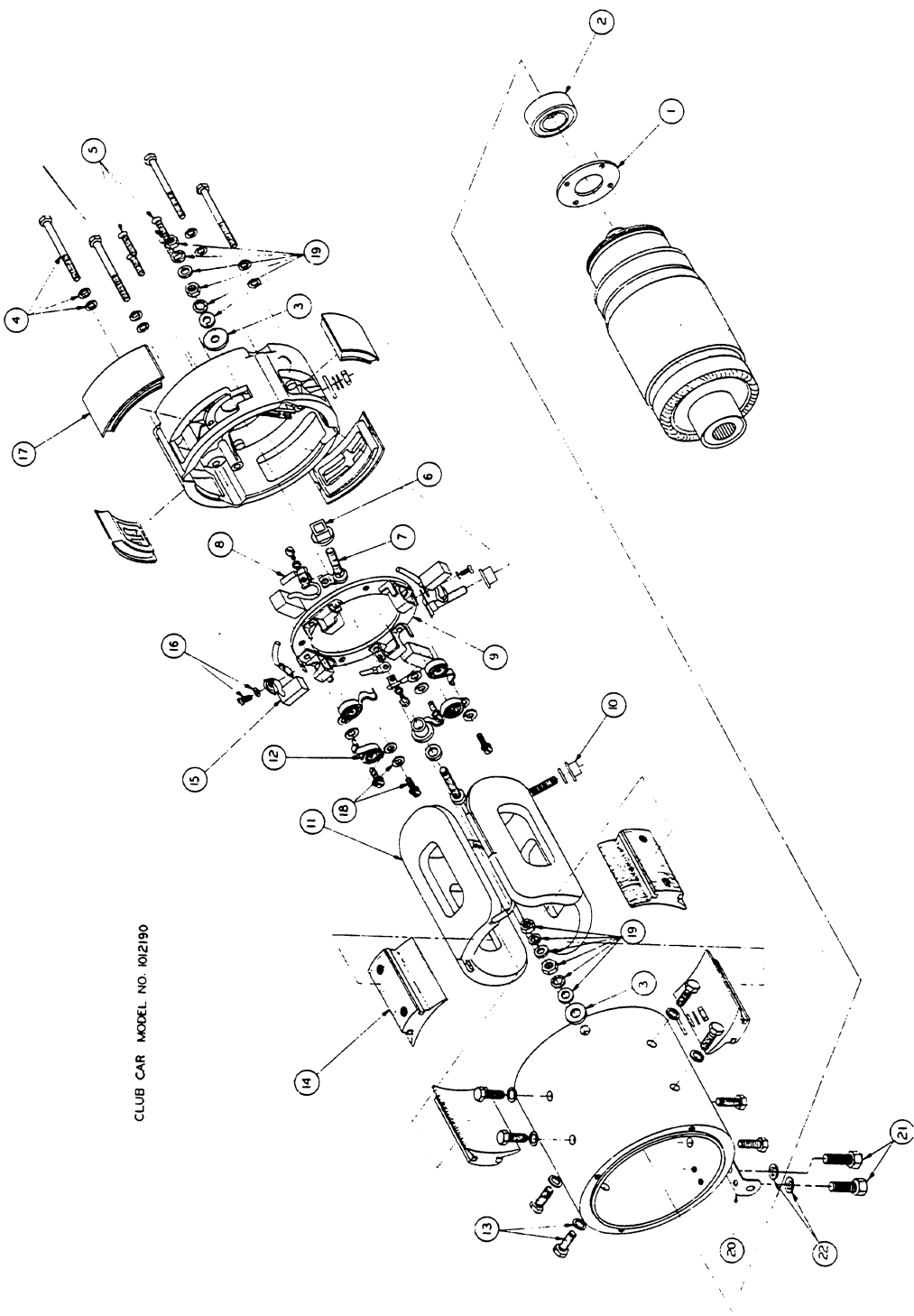


CLUB CAR MODEL NO. 1012190

<u>Item No.</u>	<u>Part No.</u>	<u>Description</u>	<u>Qty.</u>
1.	1011318	Bearing Retainer	1
2.	1011319	Ball Bearing	1
3.	1011320	Insulating Washer	4
4.	1011321	(B) Bracket Bolt	4
5.	1011322	Bearing Retainer Screw	4
6.	1011323	Insulating Tube	2
7.	1011324	Terminal Bolt	2
8.	1011421	Jumper Wire Package (2 Pcs.)	1
9.	1011326	Brush Holder Assembly	1
10.	1011327	Insulating Tube	2
11.	1011328	Field Coil	1
12.	1011420	Brush Spring Package (4 Pcs.)	1
13.	1011422	Pole Piece Bolt Package (8 Pcs.)	1
14.	1011423	Pole Piece Package (4 Pcs.)	1
15.	1011424	Brush Package (4 Pcs.)	1
16.	1011333	Brush Screw	4
17.	1011334	Brush Cover	4
18.	1011335	Brush Holder Assembly Screw	4
19.	1011347	Terminal Kit	4
20.	1012177	Motor/Axle Clip	1
21.	0007847	1/4 - 20 x 3/4 Hex. Hd. Bolt	2
22.	0000451	1/4 Lockwasher	2

INCLUDE PART NUMBER OF EACH PART ORDERED AND SERIAL NUMBER OF CAR

Issue Date \_\_\_\_\_  
 Effective Serial No. A8405-50907 thru \_\_\_\_\_



CLUB CAR MODEL NO. K02190

INCLUDE PART NUMBER OF EACH PART ORDERED AND SERIAL NUMBER OF CAR





## Section IV

# **BRAKE SYSTEM AND PEDAL GROUP**



**BRAKE ASSEMBLY**

<u>Item No.</u>	<u>Part No.</u>	<u>Description</u>	<u>Qty.</u>	<u>Item No.</u>	<u>Part No.</u>	<u>Description</u>	<u>Qty.</u>
1.	1010850	Dust Cover	2	16.	1011297	Brake Lever Arm	2
2.	Kit*	Slide Adjuster Bolt		17.	1011463	Brake Shoe Package (4 Pcs)	1
3.	Kit*	Friction Disc Spring		18.	Kit*	M 8 x 1.25 Nut	
4.	Kit*	Slide Plate		19.	Kit***	Adjustment Bolt Cap	
5.	Kit*	Slide Plate Guide		20.	1011137	Brake Drum	2
6.	Kit**	Tension Pin		21.	Kit***	Anchor Piston	
7.	Kit***	M 6 x 1 Nut		22.	Kit***	Adjustment Bolt	2
8.	Kit***	M 6 Lockwasher		23.	Kit***	Anchor Body	2
9.	1011154	Backing Plate - Right Hand	1	24.	Kit**	Shoe Clamp Spring	
10.	Kit*	Set Plate Guide		25.	0001035	Cotter Pin	2
11.	0007174	5/16 Lockwasher	8	26.	1010829	5/16 Clevis Pin	2
12.	Kit*	Block		27.	Kit*	Set Plate	
13.	0007173	5/16 - 18 x 3/4" Hex Head Bolt	8	28.	1011464	Brake Spring Package (4 Pcs)	1
14.	Kit*	Anchor Plate		29.	1011494	Backing Plate - Left Hand	1
15.	0001242	5/16 - 18 Hex Nut	2				

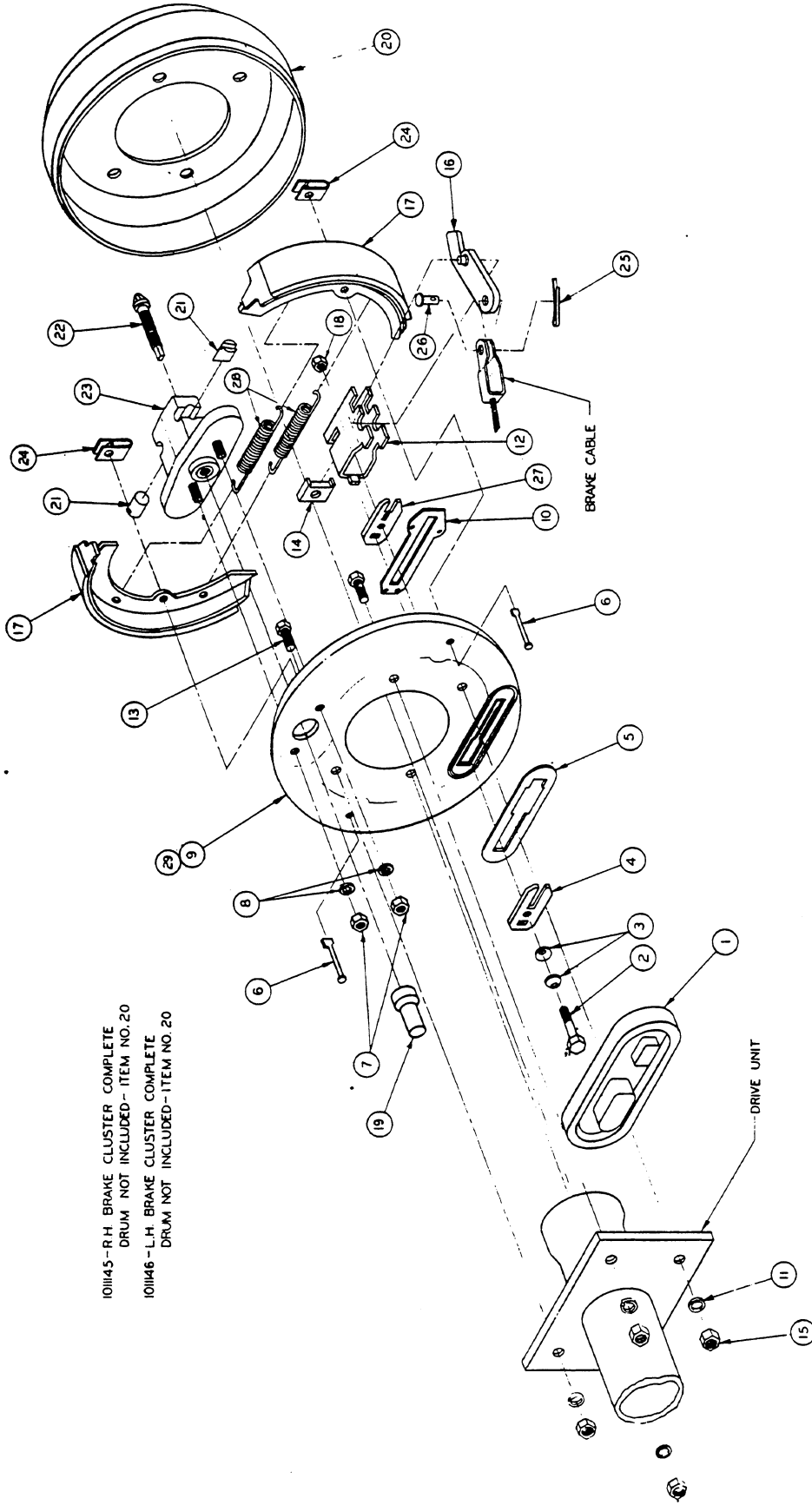
\* Kit 1011465 - Brake Actuator Kit  
Includes Item No. 2, 3(2), 4, 5, 10, 12, 14, 18, 27

\*\* Kit 1011466 - Shoe Retainer Kit  
Includes Item No. 6(2), 24(2)

\*\*\* Kit 1011467 - Anchor Body Kit  
Includes Item No. 7 (2), 8 (2), 19, 21 (2), 22, 23

**INCLUDE PART NUMBER OF EACH PART ORDERED AND SERIAL NUMBER OF CAR**





101145 - R.H. BRAKE CLUSTER COMPLETE  
 DRUM NOT INCLUDED - ITEM NO. 20  
 101146 - L.H. BRAKE CLUSTER COMPLETE  
 DRUM NOT INCLUDED - ITEM NO. 20

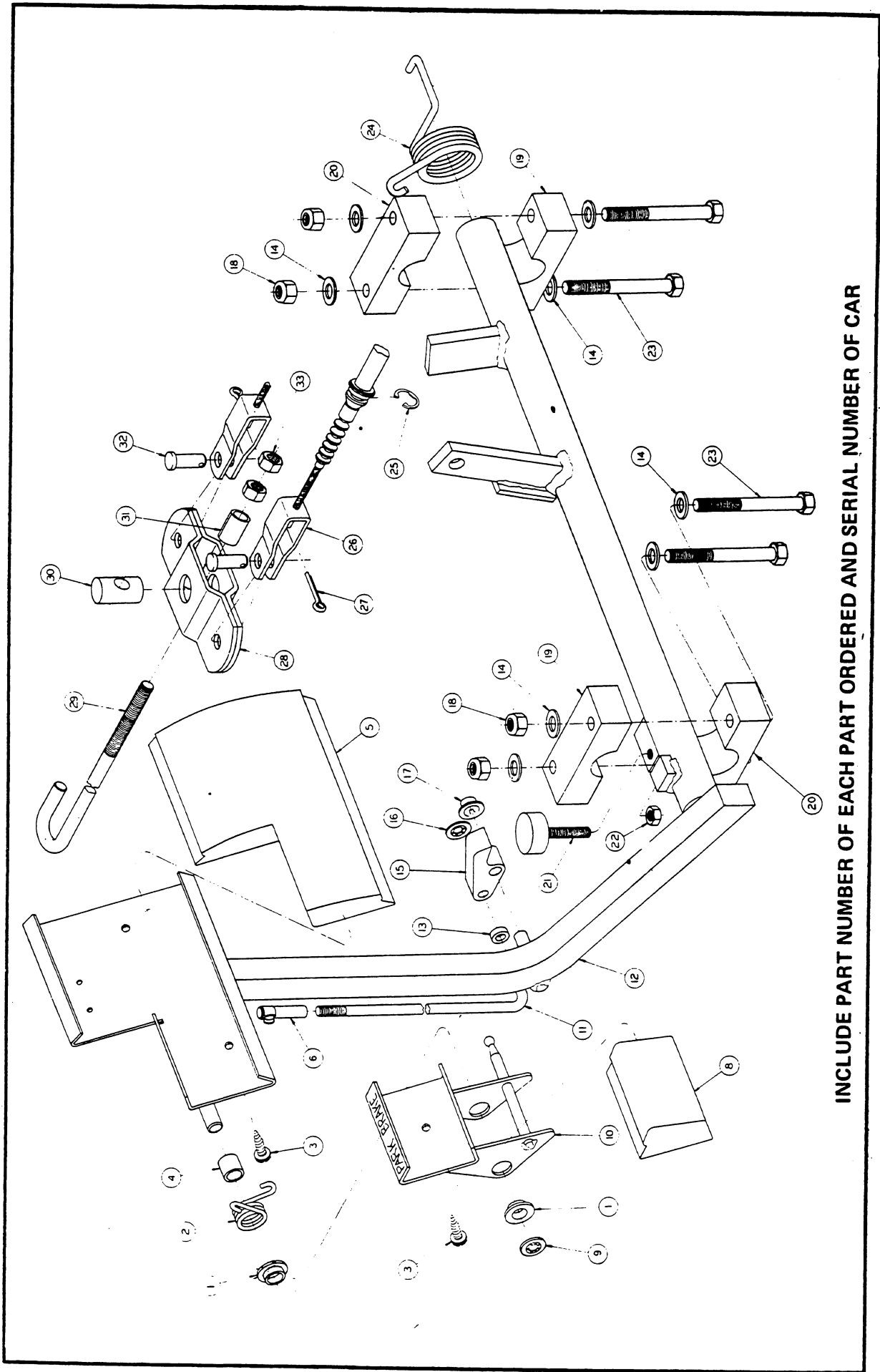
INCLUDE PART NUMBER OF EACH PART ORDERED AND SERIAL NUMBER OF CAR.

**BRAKE PEDAL AND CABLE ASSEMBLY**

<u>Item No.</u>	<u>Part No.</u>	<u>Description</u>	<u>Qty.</u>	<u>Item No.</u>	<u>Part No.</u>	<u>Description</u>	<u>Qty.</u>
1.	0001032	Nylon Bushing	2	18.	0007473	5/16 - 18 UNC Nylon Insert Locknut	4
2.	1010933	Torsion Spring	1	19.	1011402	Brake Mounting Block Package (Includes Item No. 19 (2), No. 20 (2))	1
3.	0007716	No. 10 - 16 Type AB Sheet Metal Screw	3	21.	1010878	Brake Stop	1
4.	1010927	Hill Brake Spacer	1	22.	0001028	1/4 - 20 UNC Hex Nut	1
5.	1010833	Brake Pedal Pad	1	23.	1010921	5/16 - 18 UNC x 2 1/2" Hex Head Bolt	1
6.	1010932	1/4 - 28 UNF Ball Joint	1	24.	1010935	Brake Return Torsion Spring	4
7.				25.	1011779	"E" Ring	1
8.	1010832	Hill Brake Pad	1	26.	Kit*	Brake Cable Kit	4
9.	1011650	3/8 Push Nut	1	27.	0001035	Cotter Pin	2
10.	Kit**	Hill Brake Kit	1	28.	1010809	Equalizer Weld Assembly	4
11.	1010804	Hill Brake Rod	1	29.	1010808	Equalizer Rod	1
12.	Kit***	Brake Pedal Kit	1	30.	1010814	Equalizer Pivot Pin	1
13.	1010805	Hill Brake Rod Sleeve	1	31.	1010546	Equalizer Spacer	1
14.	0001241	5/16 Flat Washer	8	32.	1010829	5/16 Clevis Pin	1
15.	Kit****	Hill Brake Pawl Kit	1	33.	0001242	5/16 - 18 UNC Hex Nut	4
16.	1011649	Push Nut	1				2
17.	1010877	5/16 Push Nut	1				

- \* Kit 1011403 - Brake Cable Kit  
Includes Item No. 25 (2), No. 27 (2), No. 32 (2), No. 26 (1)
- \*\* Kit 1011418 - Hill Brake Pedal Kit  
Includes Item No. 10 (1), No. 8 (1), No. 3 (1), No. 1 (2), No. 9 (1)
- \*\*\* Kit 1011406 - Brake Pedal Kit  
Includes Item No. 5 (1), No. 3 (2), No. 12 (1)
- \*\*\*\* Kit 1011404 - Hill Brake Pawl Kit  
Includes Item No. 15 (1), No. 16 (i), No. 17 (1)

**INCLUDE PART NUMBER OF EACH PART ORDERED AND SERIAL NUMBER OF CAR**



INCLUDE PART NUMBER OF EACH PART ORDERED AND SERIAL NUMBER OF CAR

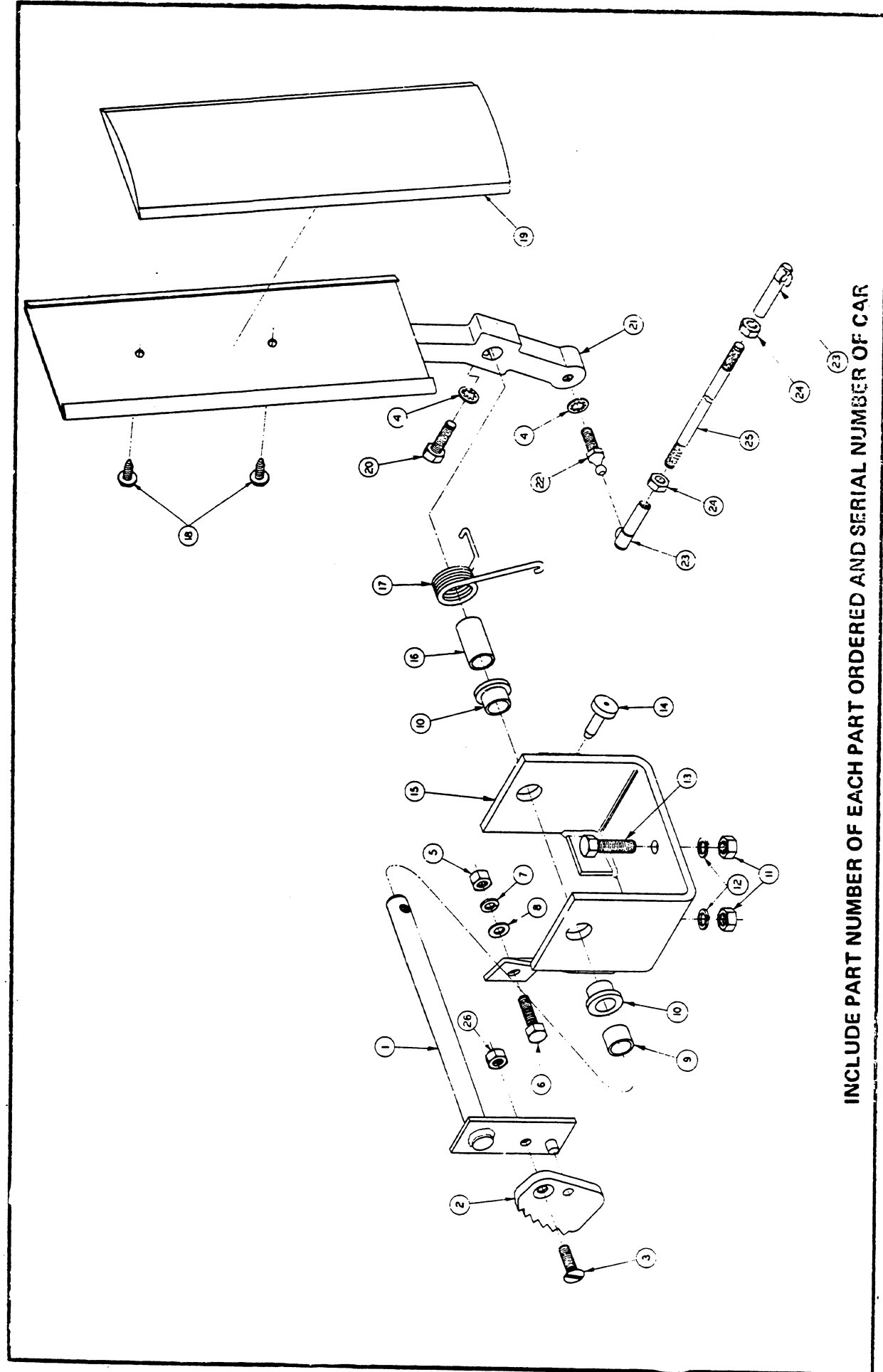
Issue Date 8/1/83

Effective Serial No. A8036-15260 thru \_\_\_\_\_

ACCELERATOR PEDAL GROUP

<u>Item No.</u>	<u>Part No.</u>	<u>Description</u>	<u>Qty.</u>
1.	1010847	Accelerator Pivot Rod	1
2.	1010796	Hill Brake Latch	1
3.	0001107	1/4 - 20 UNC x 3/4" Flathead Screw	1
4.	0008304	1/4 Internal Tooth Lockwasher	2
5.	0001028	1/4 - 20 UNC Hex Nut	2
6.	0007847	1/4 - 20 UNC x 3/4" Hex Head Bolt	1
7.	0000451	1/4 Lockwasher	1
8.	0000332	1/4 Flatwasher	1
9.	1011600	Spacer	1
10.	1010880	Bronze Bushing	2
11.	0001242	5/16 - 18 UNC Hex Nut	2
12.	0007174	5/16 Lockwasher	2
13.	1010934	5/16 - 18 UNC x 1.00 Hex Head Bolt	2
14.	1010436	Rubber Bumper	1
15.	1010845	Accelerator Bracket	1
16.	1011599	Spacer	1
17.	1011587	Torsion Spring	1
18.	0007716	No. 10 - 16 Type AB Sheet Metal Screw	2
19.	1010879	Accelerator Pad	1
20.	0000403	1/4 - 20 UNC x 5/8" Hex Head Bolt	1
21.	1010969	Accelerator Pedal Assembly (Includes Item No. 4, 18, 19, 22)	1
22.	1010954	1/4 - 28 UNF Ball Stud	1
23.	1011734	1/4 - 28 UNF Spring Loaded Ball Joint	2
24.	1011084	1/4 - 28 UNF Jam Nut	2
25.	1010806	Accelerator Rod	1
26.	0008233	1/4 - 20 UNC Locknut	1

INCLUDE PART NUMBER OF EACH PART ORDERED AND SERIAL NUMBER OF CAR



INCLUDE PART NUMBER OF EACH PART ORDERED AND SERIAL NUMBER OF CAR

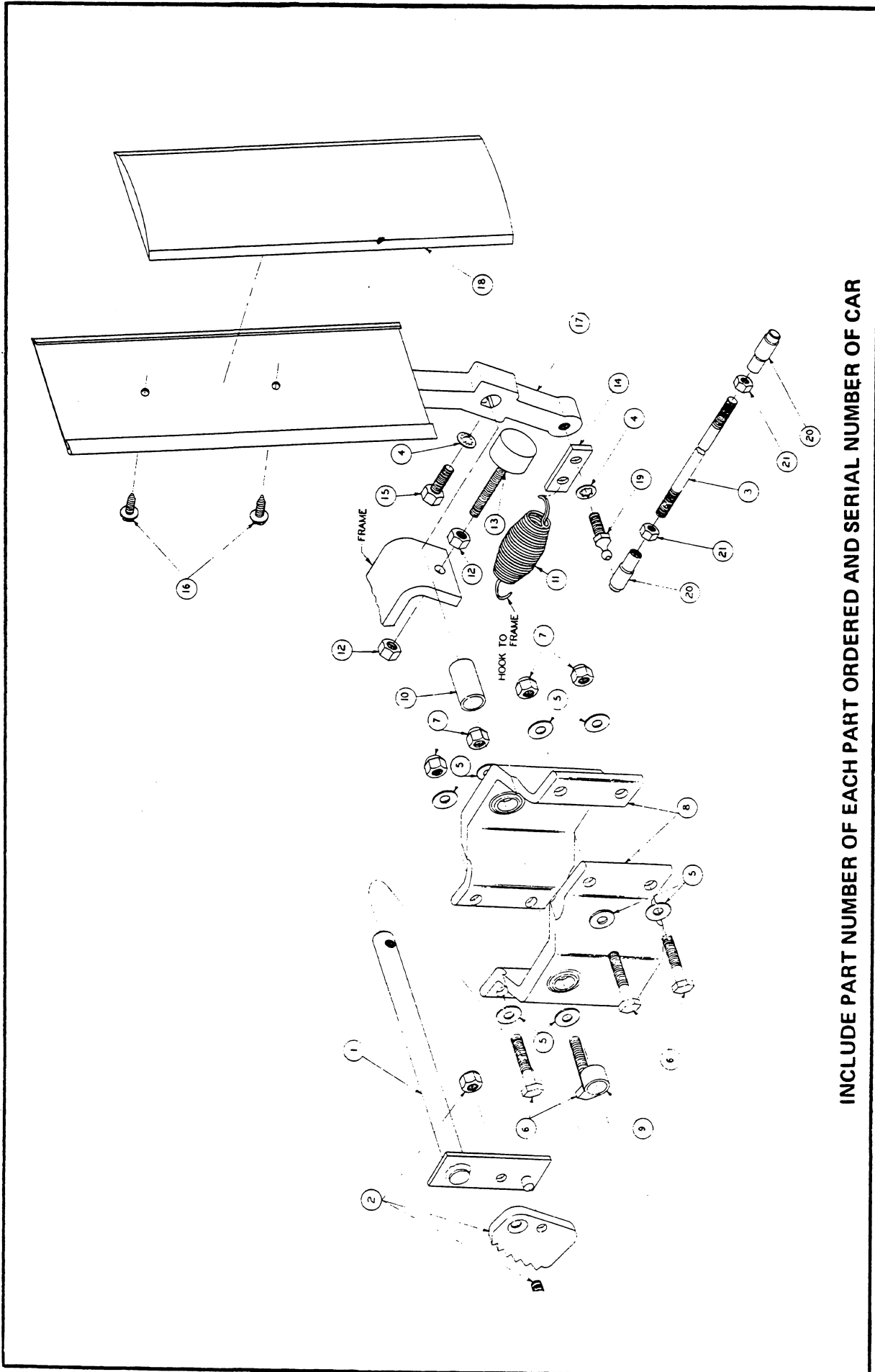
Issue Date 8/1/83

Effective Serial No. A8036-15260 thru A8123-22827

ACCELERATOR PEDAL GROUP

<u>Item No.</u>	<u>Part No.</u>	<u>Description</u>	<u>Qty.</u>
1.	1010847	Accelerator Pivot Rod	1
2.	1011877	Hill Brake Latch Kit	1
3.	1010806	Accelerator Rod	1
4.	0008304	1/4 Internal Tooth Lock Washer	2
5.	0000332	1/4 Flat Washer	8
6.	0007479	1/4 - 20 UNC x 1 1/4" Hex Head Bolt	4
7.	0008233	1/4 - 20 Nylon Insert Nut	4
8.	1011694	Accelerator Bracket and Bearing Assembly	2
9.	1011699	1/2 Spacer	1
10.	1011700	Spacer Accelerator	1
11.	1011701	Extension Spring	1
12.	0001028	1/4 - 20 UNC Hex Nut	2
13.	1010878	Brake Stop	1
14.	1011691	Accelerator Pedal Spring Hanger	1
15.	0000403	1/4 - 20 UNC x 5/8 Hex Head Bolt	1
16.	0007716	No. 10 - 16 Type AB Sheet Metal Screw	1
17.	1010969	Accelerator Pedal Assembly (Includes Items 14, 16, 18, & 19)	2
18.	1010879	Accelerator Pad	1
19.	1010954	1/4 - 28 UNF Ball Stud	1
20.	1011734	1/4 - 28 UNF Spring Loaded Ball Joint	2
21.	1011084	1/4 - 28 UNF Jam Nut	2

INCLUDE PART NUMBER OF EACH PART ORDERED AND SERIAL NUMBER OF CAR



INCLUDE PART NUMBER OF EACH PART ORDERED AND SERIAL NUMBER OF CAR

Issue Date 8/1/83

Effective Serial No. A 8123-22828 thru \_\_\_\_\_





**Section V**

**ELECTRICAL SYSTEM**

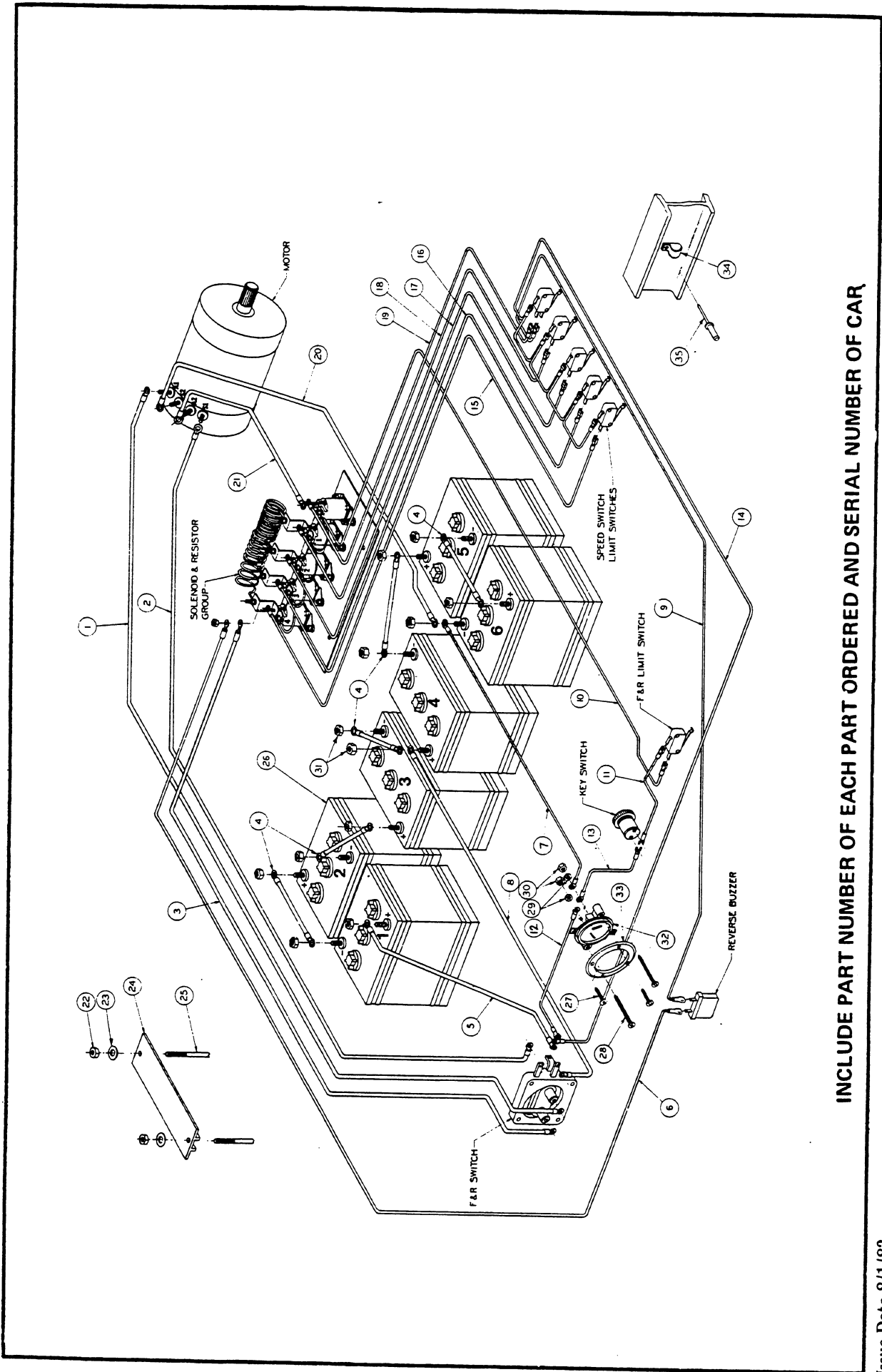


POWER WIRING

Item No.	Part No.	Description	Qty.	Item No.	Part No.	Description	Qty.
1.	1011070	Wire Assembly No. 6 Black	1	19.	1011056	Wire Assembly No. 18 Green	1
2.	1011068	Wire Assembly No. 6 Red	1	20.	1011071	Wire Assembly No. 6 Black	1
3.	1011072	Wire Assembly No. 6 White	1	21.	1011073	Wire Assembly No. 6 White	1
4.		See Battery Wire List	5	22.	0001242	5/16 - 18 UNC Hex Nut	6
5.	1011069	Wire Assembly No. 6 Red	1	23.	1011578	5/16 Type B Flatwasher	6
6.	1011037	Wire Assembly No. 18 White	1	24.	1010908	Battery Hold Down	3
7.	1011010	Wire Assembly No. 10 White	1	25.	1010220	"J" Bolt	6
8.	1011069	Wire Assembly No. 6 Red	1	26.		See Battery List	6
9.	1011044	Wire Assembly No. 18 Orange	1	27.	0008796	No. 7 x 3/4" Phillips Pan Head Self Tapping Screw	2
10.	1011036	Wire Assembly No. 18 Yellow	1	28.	0008795	No. 7 x 1 3/4" Phillips Pan Head Self Tapping Screw	2
11.	1011006	Wire Assembly No. 18 Blue	1	29.	0008049	No. 10 Internal Tooth Lockwasher	2
12.	0008170	Wire Assembly No. 10 Red	1	30.	0008797	No. 10 - 32 UNF Hex Nut	2
13.	1011007	Wire Assembly No. 18 Red	1	31.	1011750	"K" Locknut 5/16 - 18	12
14.	1011035	Wire Assembly No. 18 Yellow	1	32.	0004107	Charger Receptical	1
15.	1011052	Wire Assembly No. 18 Black	1	33.	1011860	Receptical Reinforcement Ring	1
16.	1011053	Wire Assembly No. 18 Blue	1	34.	1012022	Cable Clamp	3
17.	1011054	Wire Assembly No. 18 White	1	35.	0001606	3/16 Pop Rivet	3
18.	1011055	Wire Assembly No. 18 Red	1				

BATTERY LIST (Side Post)	Top Post	BATTERY WIRE LIST
101307 Trojan 90	1011089 - EV - 3	Top Post - 1010958 No. 6 Black
1010104 Alco 2200 Series	1011090 - EV - 4	Side Post - 7262 No. 6 Black
0008977 U. S. 2200 Series	1010331 - U. S. Series	
1010827 Trojan 105		
1010597 Alco 1900 Series		

INCLUDE PART NUMBER OF EACH PART ORDERED AND SERIAL NUMBER OF CAR



**INCLUDE PART NUMBER OF EACH PART ORDERED AND SERIAL NUMBER OF CAR**

Issue Date 8/1/83

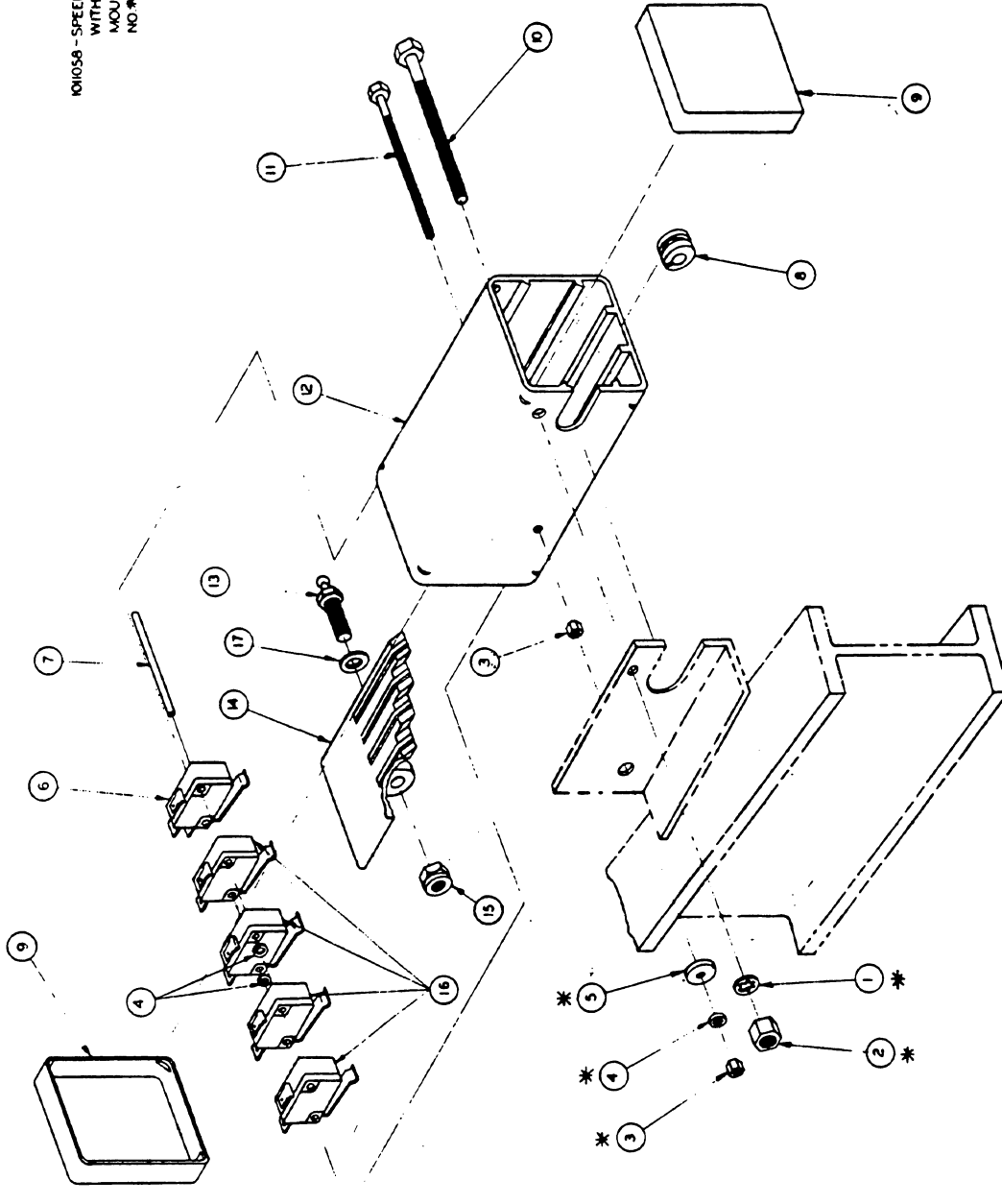
Effective Serial No. A8036-15260 thru A8502-68445

SPEED SWITCH

<u>Item No.</u>	<u>Part No.</u>	<u>Description</u>	<u>Qty.</u>
1.	0008049	No. 10 Lockwasher	1
2.	0007893	No. 10 - 32 UNF Hex Nut	1
3.	0008057	No. 4 - 40 UNC Hex Nut	2
4.	0008058	No. 4 Lockwasher	3
5.	1011034	No. 3 Flat Wide Washer	1
6.	0004240	Limit Switch	1
7.	1011024	Alignment Pin	1
8.	1011020	Split Grommet	1
9.	1010945	Speed Switch Caplug	2
10.	1010876	Hex Hd. Mach. Scr. No. 10 - 32	1
11.	1010875	Hex Hd. Mach. Scr. No. 4 - 40	1
12.	1010928	Speed Switch Box	1
13.	1010954	Ball Stud - 1/4 - 28 UNF	1
14.	1010895	Spd. Switch Slide	1
15.	0008717	1/4 - 28 UNF - Locknut	1
16.	0008991	Limit Switch	4
17.	0000332	1/4 Flat Washer	1

INCLUDE PART NUMBER OF EACH PART ORDERED AND SERIAL NUMBER OF CAR

101058 - SPEED SWITCH ASSY. COMPLETE  
 WITH WIRES (NOT SHOWN), LESS  
 MOUNTING HARDWARE - ITEM  
 NO. \* 1,2,3,4,5



INCLUDE PART NUMBER OF EACH PART ORDERED AND SERIAL NUMBER OF CAR

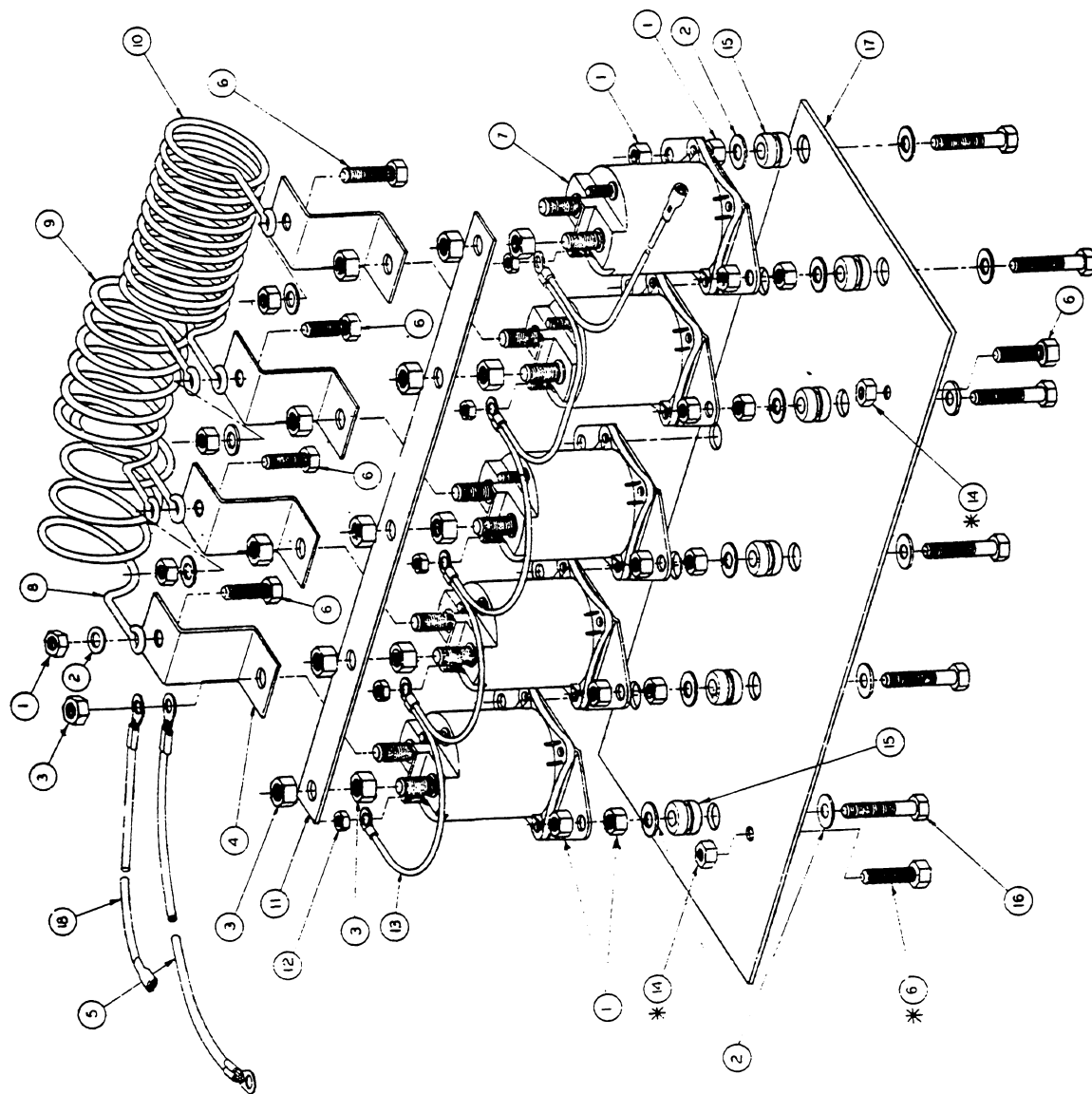
Issue Date 8/1/83

Effective Serial No. A8096-16260 thru A8502-68445

SOLENOID AND RESISTOR GROUP

<u>Item No.</u>	<u>Part No.</u>	<u>Description</u>	<u>Qty.</u>
1.	0001028	1/4 - 20 UNC Hex Nut	24
2.	0000332	1/4 Flatwasher	24
3.	0001242	5/16 - 18 UNC Hex Nut	14
4.	0008541	Resistor Coil Mounting Bracket	4
5.	1011072	Wire Assembly	1
6.	0007847	1/4 - 20 UNC x 3/4" Hex Head Bolt	6
7.	0008016	36 Volt Solenoid	5
8.	1010217	3rd Speed Resistor Coil	1
9.	1010216	2nd Speed Resistor Coil	1
10.	1010215	1st Speed Resistor Coil	1
11.	0008543	Buss Bar	1
12.	0007893	No. 10 32 UNF Hex Nut	5
13.	1011036	Wire Assembly	1
14.	0008233	1/4 - 20 UNC Nylon Insert Locknut	2
15.	0007861	Rubber Grommet	10
16.	0007479	1/4 - 20 UNC x 1 1/4" Hex Head Bolt	10
17.	1010749	Solenoid Mtg. Bracket	1
18.	1011037	Wire Assembly	1

INCLUDE PART NUMBER OF EACH PART ORDERED AND SERIAL NUMBER OF CAR



101074 — SOLENOID & RESISTOR CIRCUIT ASSY, COMPLETE WITH WIRE ASSY, LESS MOUNTING HARDWARE.  
 \* MOUNTING HARDWARE.

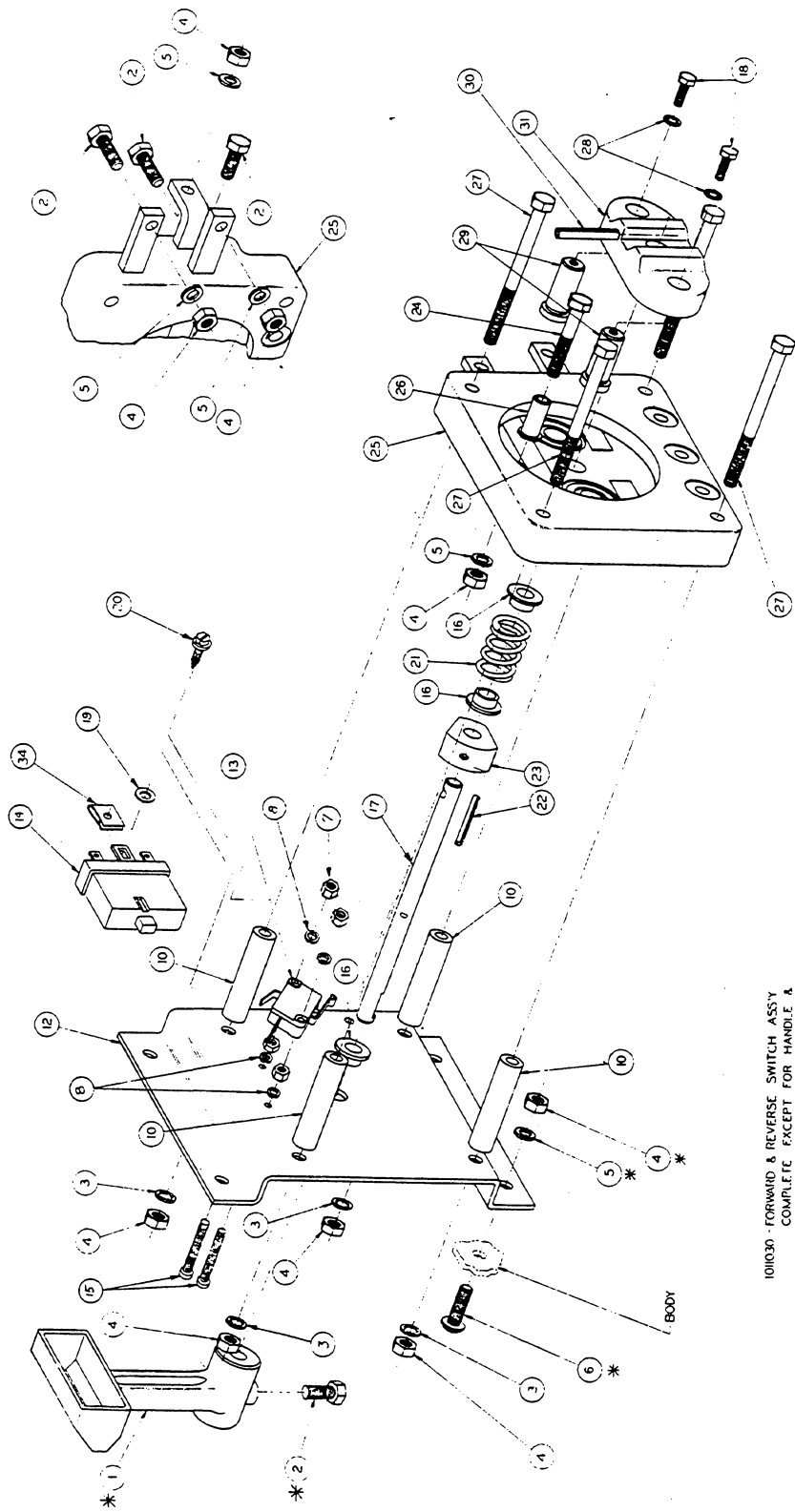
INCLUDE PART NUMBER OF EACH PART ORDERED AND SERIAL NUMBER OF CAR

F & R SWITCH

<u>Item No.</u>	<u>Part No.</u>	<u>Description</u>	<u>Qty.</u>	<u>Item No.</u>	<u>Part No.</u>	<u>Description</u>	<u>Qty.</u>
1.	1010441	Handle - F & R Switch	1	18.	0008450	No. 10 - 24 x 1/2" Hex Head Screw	2
2.	0000403	1/4 - 20 UNC x 5/8" Hex Head Bolt	4	19.	0000183	No. 10 Flat Washer	1
3.	0008304	1/4 Internal Tooth Lockwasher	4	20.	0008626	No. 10 Sheet Metal Screw	1
4.	0001028	1/4 20 UNC Hex Nut	12	21.	0007627	F & R Shaft Spring	1
5.	0000451	1/4 Lockwasher	8	22.	0001231	1/8 x 1" Roll Pin	1
6.	0008248	1/4 - 20 UNC x 3/4" Phillips Truss Head Machine Screw	4	23.	0008020	F & R Cam	1
7.	0008057	No. 4 - 40 Hex Nut	4	24.	0001703	1/4 - 20 UNC x 1 1/2" Hex Head Bolt	1
8.	0008058	No. 4 Lockwasher	4	25.	0008053	F & R Switch Case	1
9.			4	26.	0008028	F & R Switch Rotor Stop	1
10.	1010050	F & R Switch Stand-Off	4	27.	0000343	1/4 - 20 UNC x 3" Hex Head Bolt	4
11.	0007591	No. 6 Flatwasher	4	28.	0008049	No. 10 Internal Tooth Lockwasher	2
12.	0008010	F & R Switch Mfg. Bracket	4	29.	0008793	Rotor Contact	2
13.	0008991	Limit Switch	1	30.	0007189	3/16 x 1 1/4" Roll Pin	1
14.	1010051	Buzzer Assembly	1	31.	0007016	Switch Rotor	1
15.	0008056	No. 4 - 40 x 3/4" Round Head Screw	1	32.			
16.	0001032	Nylon Bushing	2	33.	1011030	F & R Switch Assembly	1
17.	0008022	F & R Switch Main Shaft	3	34.	1011019	Speed Nut	1

INCLUDE PART NUMBER OF EACH PART ORDERED AND SERIAL NUMBER OF CAR





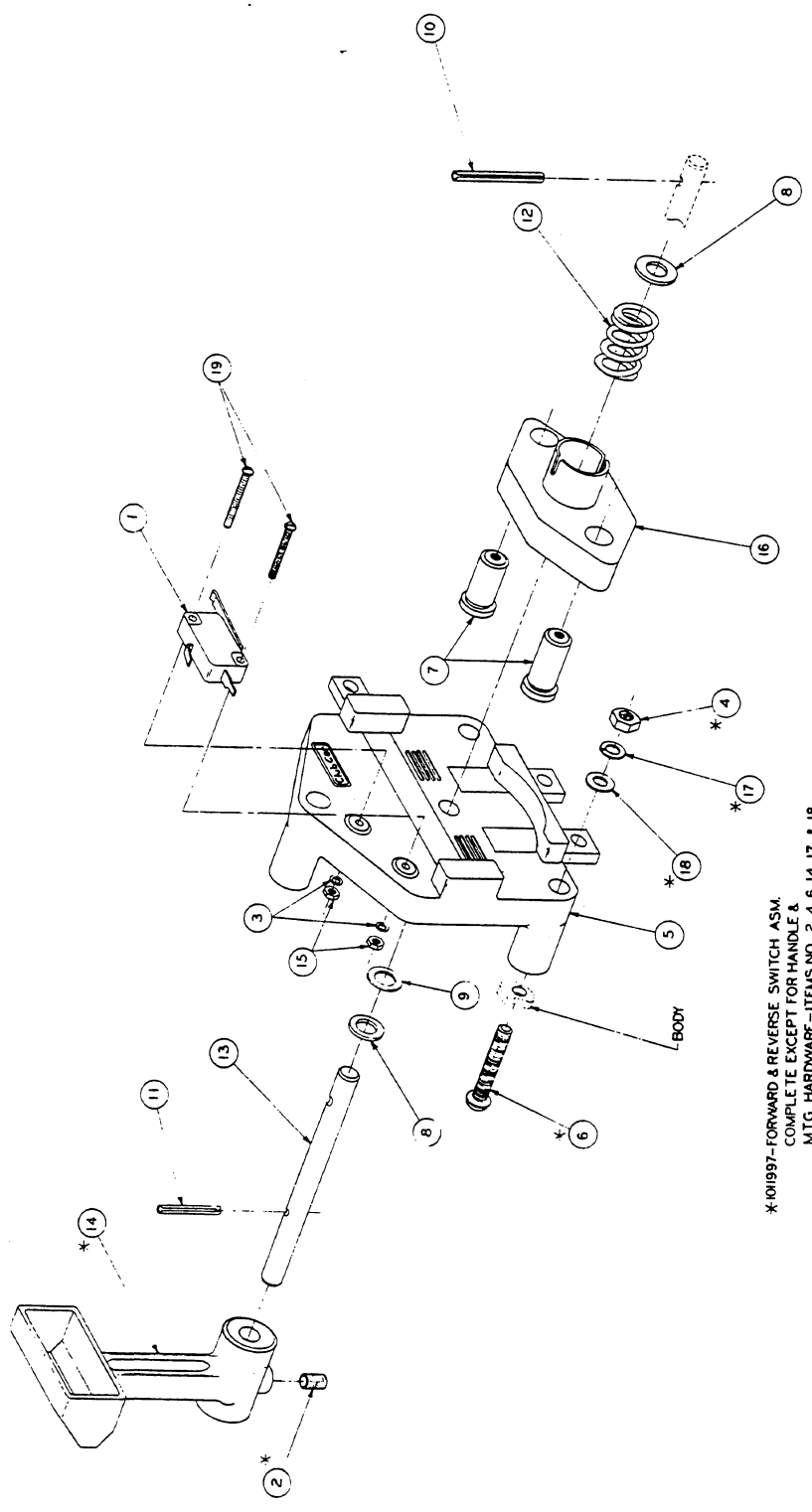
101030 - FORWARD & REVERSE SWITCH ASSY  
 COMPLETE EXCEPT FOR HANDLE &  
 MTC. HARDWARE - ITEM NO. 1,2,4,5,6,6

**INCLUDE PART NUMBER OF EACH PART ORDERED AND SERIAL NUMBER OF CAR**

F & R SWITCH

<u>Item No.</u>	<u>Part No.</u>	<u>Description</u>	<u>Qty.</u>
1.	0008991	F & R Micro Switch	1
2.	1011987	1/4 - 20 x 1/2" Set Screw	1
3.	0008058	No. 4 Lock Washer	2
4.	0001028	1/4 - 20 Hex Head Nut	3
5.	1011975	F & R Switch Case	1
6.	1011988	1/4 - 20 x 2.00" Ph. Truss Hd. Screw	3
7.	0008793	Rotor Contact	2
8.	1011990	3/8 Flat Washer	2
9.	1011992	3/8 Nylon Washer	1
10.	1011993	Roll Pin 3/16 x 1 3/8"	1
11.	0001231	Roll Pin 1/8 x 1"	1
12.	0007627	F & R Shaft Spring	1
13.	1011996	F & R Switch Shaft	1
14.	1010441	Handle F & R Switch	1
15.	0008057	No. 4 - 40 UNC Hex Nut	2
16.	1011976	F & R Switch Rotor	1
17.	0000451	1/4 Lockwasher	3
18.	0000332	1/4 Flat Washer	3
19.	1011991	No. 4 - 40 x 1 1/8" Slotted Round Head Screw	2

INCLUDE PART NUMBER OF EACH PART ORDERED AND SERIAL NUMBER OF CAR



\*101997-FORWARD & REVERSE SWITCH ASM.  
 COMPLETE EXCEPT FOR HANDLE &  
 MTG. HARDWARE - ITEMS NO. 2, 4, 6, 14, 17 & 18

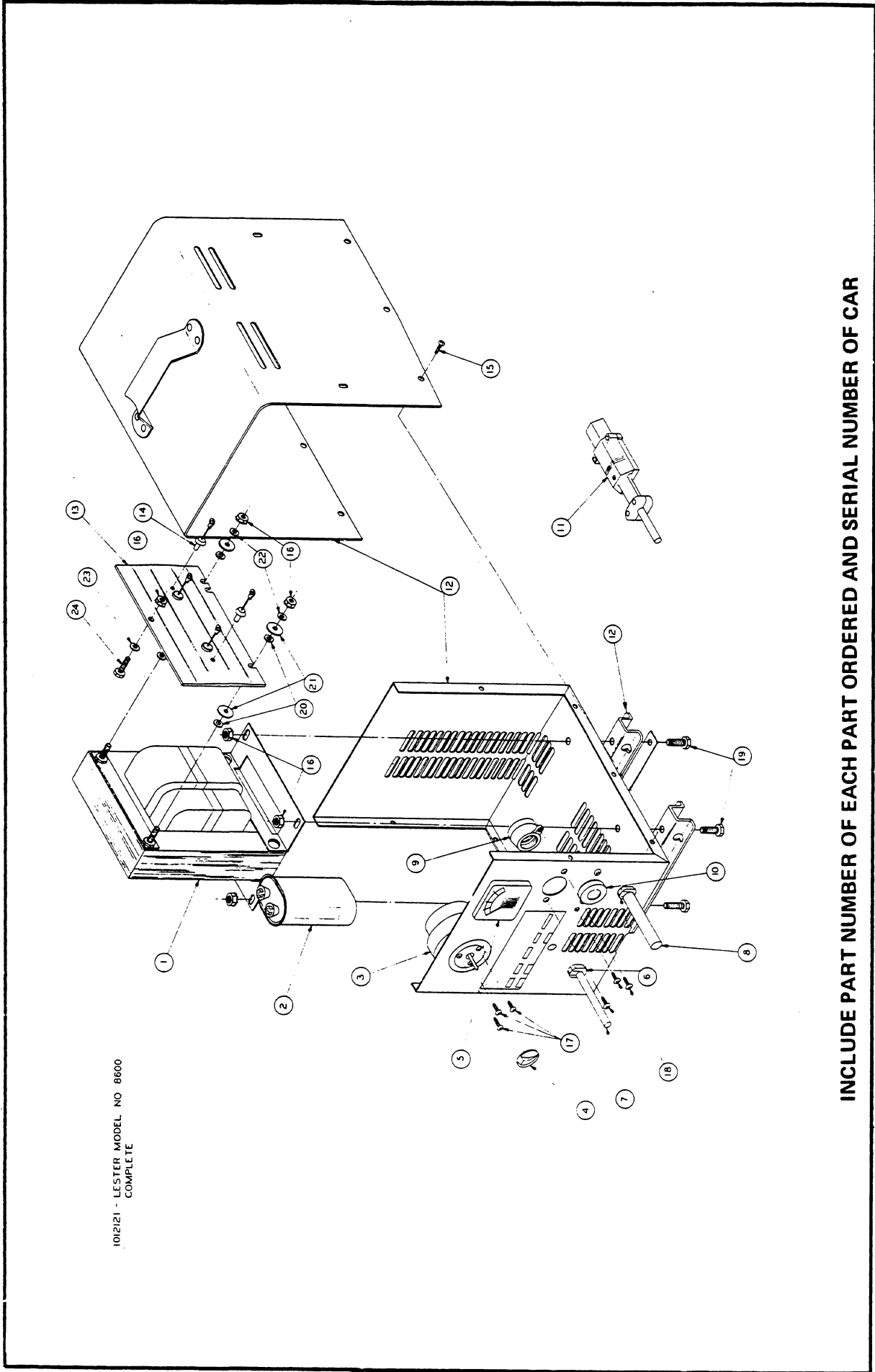
INCLUDE PART NUMBER OF EACH PART ORDERED AND SERIAL NUMBER OF CAR



LESTER BATTERY CHARGER MODEL NO. 8600

<u>Item No.</u>	<u>Part No.</u>	<u>Description</u>	<u>Qty.</u>
1.	1012114	Transformer	1
2.	1012115	Capacitor	1
3.	1012105	Timer (Includes Item 17)	1
4.	1012107	Timer Knob	1
5.	1012106	Ammeter	1
6.	1012098	Bushing	2
7.	1012099	A. C. Cordset	1
8.	1012100	D. C. Cordset (Includes Item 11)	1
9.	1012116	Fuse Recepticle	2
10.	1012117	Fuse 30 Amp	2
11.	0004133	Replacement Plug	1
12.	1012118	Case	1
13.	1012119	Heatsink Assembly with Diodes	1
14.	1012120	Replacement Diodes	2
15.	1012125	1/4 - 20 x 1/2" Type C Phillips Hd. Tapping Sc.	10
16.	1012123	1/4 - 20 "K" Locknut	7
17.	1012056	No. 8 - 32 x 25" Phillips Head Machine Screw	3
18.	1012128	No. 8 - 32 x 5/8" Phillips Head Screw	5
19.	0000403	1/4 - 20 x 5/8" Hex Head Bolt	4
20.	0000332	1/4 Flatwasher	4
21.	1012131	1/4 I.D. x 1.00 O.D. Insulating Washer	4
22.	1012135	1/4 I.D. x 3/8 O.D. Insulating Washer	2
23.	1012132	1/4 External Washer	1
24.	1012124	1/4 - 20 x 1/2" Hex Head Bolt	1

INCLUDE PART NUMBER OF EACH PART ORDERED AND SERIAL NUMBER OF CAR

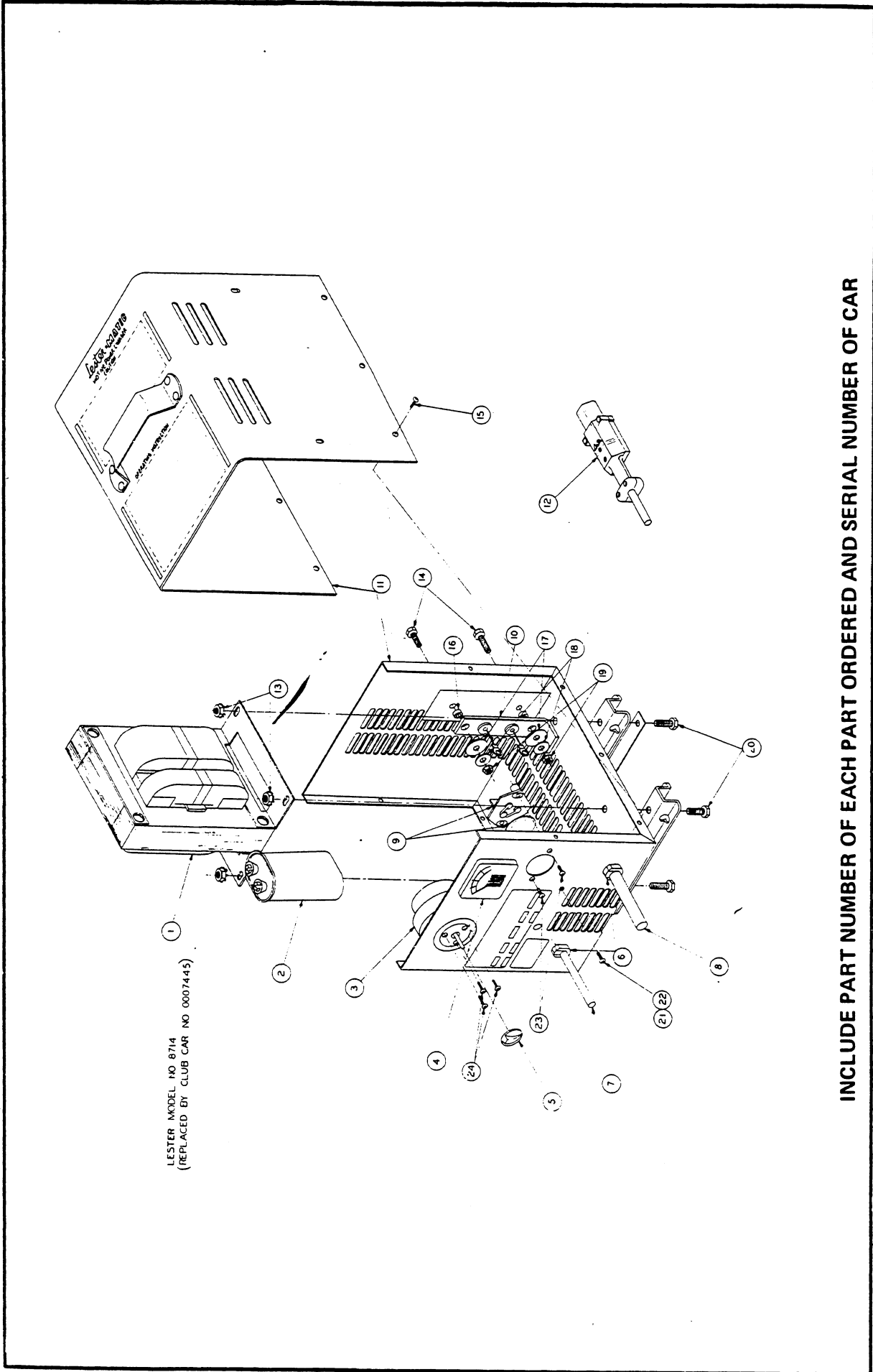


INCLUDE PART NUMBER OF EACH PART ORDERED AND SERIAL NUMBER OF CAR

LESTER BATTERY CHARGER MODEL NO. 8714

<u>Item No.</u>	<u>Part No.</u>	<u>Description</u>	<u>Qty.</u>
1.	1012104	Transformer	1
2.	1012095	Capacitor	1
3.	1012105	Timer (Includes Item 24)	1
4.	1012106	Ammeter	1
5.	1012107	Timer Knob	1
6.	1012098	Bushing	2
7.	1012099	A.C. Cordset	1
8.	1012100	D.C. Cordset (Includes Item 12)	1
9.	1012101	Fuse Assembly (Includes Item 23)	1
10.	1012109	Heat Sink Assembly (Includes 10, 14, 16, 17, 18, 19)	1
11.	1012110	Case (Includes 14, 16, 17, 20)	1
12.	0004133	Replacement Plug	1
13.	1012123	1/4 - 20 "K" Lock Nut	4
14.	1012126	No. 10 - 32 x 5/8" Hex Head Bolt	2
15.	0007716	No. 10 Type AB Self Tapping Screw	10
16.	1012134	Insulating Bushing	2
17.	1012131	1/4 I.D. x 1.00 O.D. Insulating Washer	2
18.	0000183	No. 10 Flatwasher	2
19.	1012133	No. 10 - 32 "K" Lock Nut	2
20.	0000403	1/4 - 20 x 5/8" Hex Head Bolt	4
21.	1012128	No. 8 - 32 x 5/8" Phillips Head Screw	1
22.	1011571	No. 8 - 32 Hex Nut	1
23.	1012130	No. 7 Type AB Self Tapping Screw	2
24.	1012056	No. 8 - 32 x 1/4 Phillips Head Machine Screw	3

INCLUDE PART NUMBER OF EACH PART ORDERED AND SERIAL NUMBER OF CAR



INCLUDE PART NUMBER OF EACH PART ORDERED AND SERIAL NUMBER OF CAR

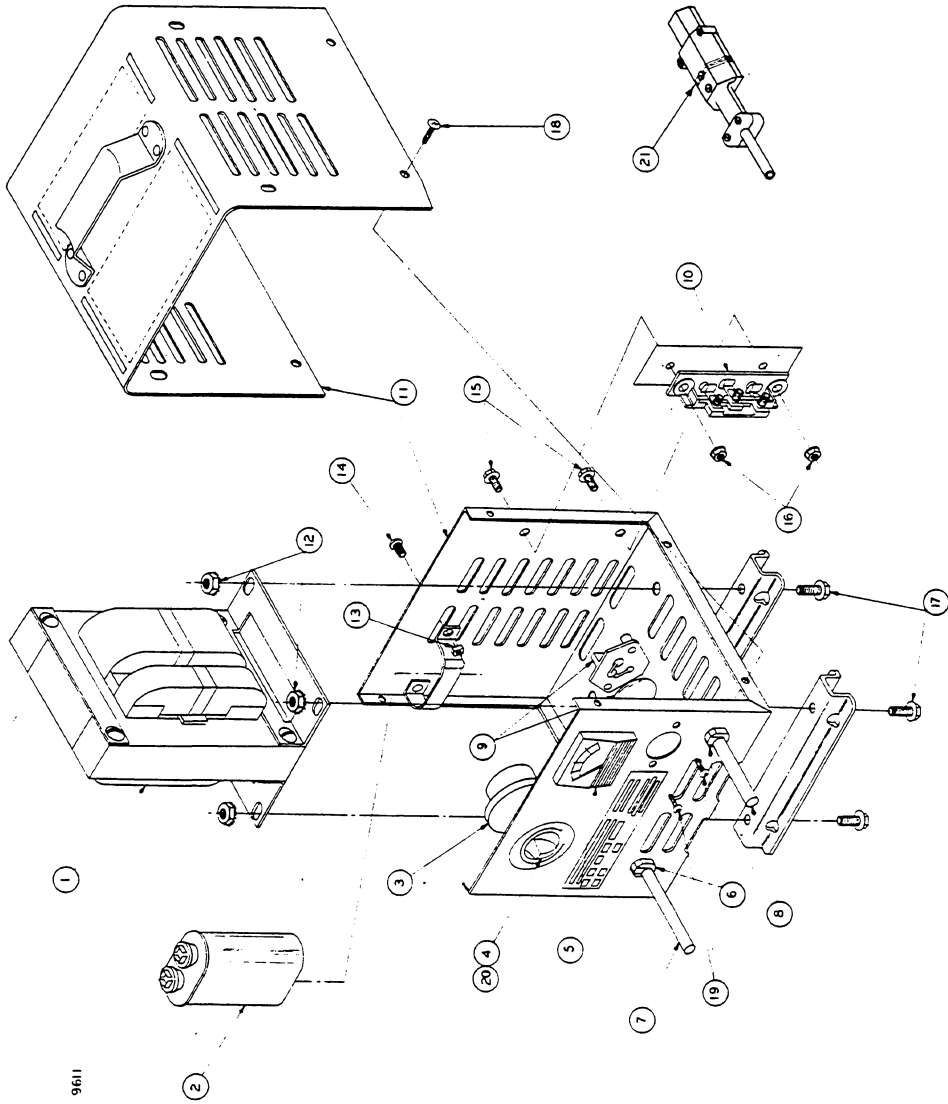
LESTER BATTERY CHARGER MODEL NO. 9611

Item No.	Part No.	Description	Qty.
1.	1012112	Transformer (Includes Items 12, 17)	1
2.	1012095	Capacitor	1
3.	1012105	Timer (Includes Item 20)	1
4.	1012107	Timer Knob	1
5.	1012106	Ammeter	1
6.	1012098	Bushing	2
7.	1012099	A.C. Cordset	1
8.	1012100	D. C. Cordset (Includes Item 21)	1
9.	1012101	Fuse Assembly (Includes Item 19)	1
10.	1012102	Heatsink Assembly (Includes Item 15, 16)	1
11.	1012113	Case	1
12.	1012123	1/4 - 20 "K" Lock Nut	4
13.	1011571	No. 8 - 32 Hex Nut	1
14.	1012129	No. 8 - 32 x 5/16" Phillips Head Machine Screw	1
15.	1012126	No. 10 - 32 x 5/8" Hex Head Bolt	2
16.	1012133	No. 10 - 32 "K" Lock Nut	2
17.	0000403	1/4 - 20 x 5/8" Hex Head Bolt	4
18.	0007716	No. 10 Type AB Self Tapping Screw	8
19.	1012130	No. 7 Type AB Self Tapping Screw	2
20.	1012056	No. 8 - 32 x 1/4" Phillips Head Machine Screw	3
21.	0004133	Replacement Plug	1

INCLUDE PART NUMBER OF EACH PART ORDERED AND SERIAL NUMBER OF CAR



007445-LESTER MODEL NO 9611  
COMPLETE

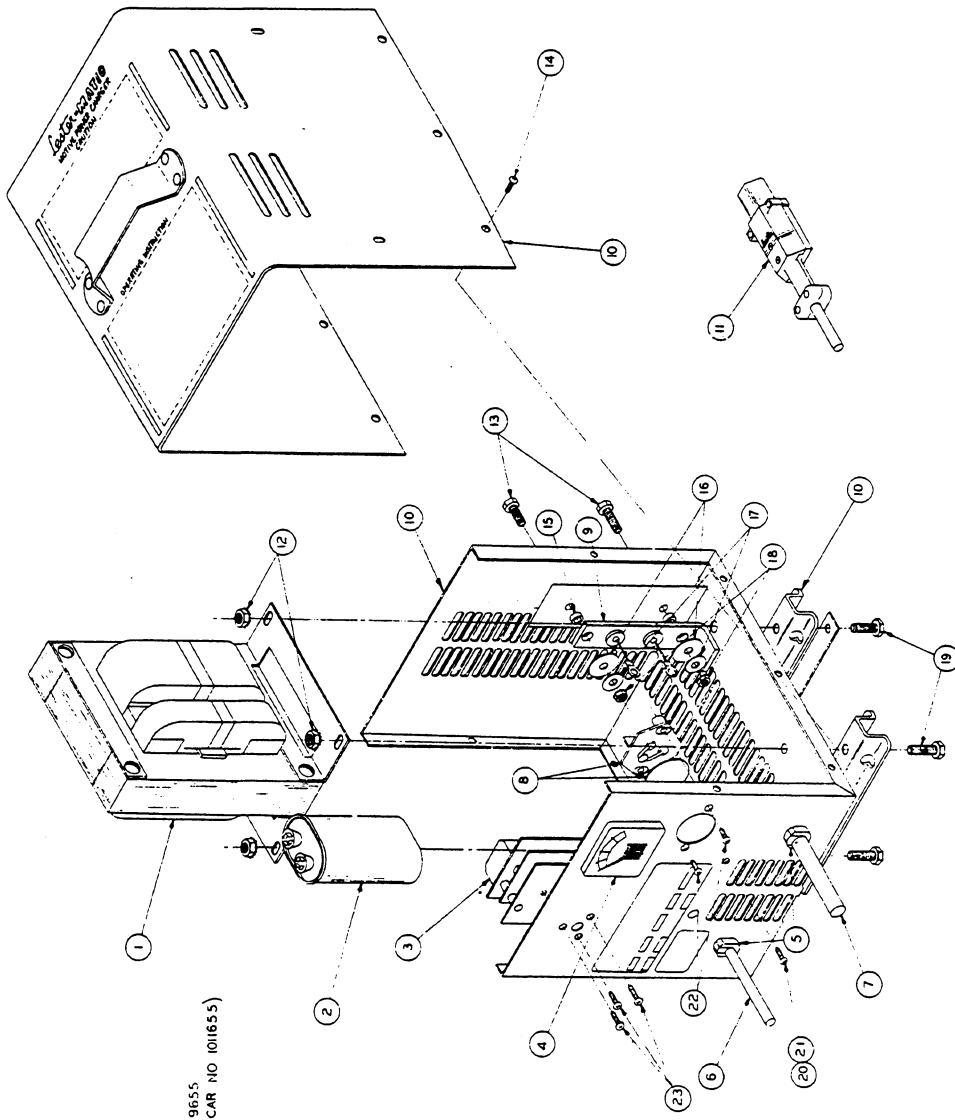


INCLUDE PART NUMBER OF EACH PART ORDERED AND SERIAL NUMBER OF CAR

LESTER BATTERY CHARGER MODEL NO. 9655

<u>Item No.</u>	<u>Part No.</u>	<u>Description</u>	<u>Qty.</u>
1.	1012094	Transformer (Includes Item 12, 19)	1
2.	1012095	Capacitor	1
3.	1012096	Timer	1
4.	1012097	Ammeter	1
5.	1012098	Bushing	2
6.	1012099	A.C. Cordset	1
7.	1012100	D.C. Cordset (Includes Item 11)	1
8.	1012101	Fuse Assembly (Includes 22)	1
9.	1012109	Heatsink Assembly (Includes Items 9, 13, 15, 16, 17, 18)	1
10.	1012111	Case	1
11.	0004133	Replacement Plug	1
12.	1012123	1/4 - 20 "K" Locknut	4
13.	1012126	No. 10 - 32 x 5/8" Hex Head Bolt	2
14.	0007716	No. 10 Type AB Self Tapping Screw	10
15.	1012134	Insulating Bushing	2
16.	1012131	1/4 I.D. x 1 O.D. Insulating Washer	2
17.	0000183	No. 10 Flat Washer	2
18.	1012133	No. 10 - 32 "K" Lock Nut	2
19.	0000403	1/4 - 20 x 5/8" Hex Head Bolt	4
20.	1012128	No. 8 - 32 x 5/8" Phillips Head Screw	1
21.	1011571	No. 8 - 32 Hex Head Nut	1
22.	1012130	No. 7 Type AB Self Tapping Screw	2
23.	1012056	No. 8 - 32 x 1/4" Phillips Head Machine Screw	3

INCLUDE PART NUMBER OF EACH PART ORDERED AND SERIAL NUMBER OF CAR



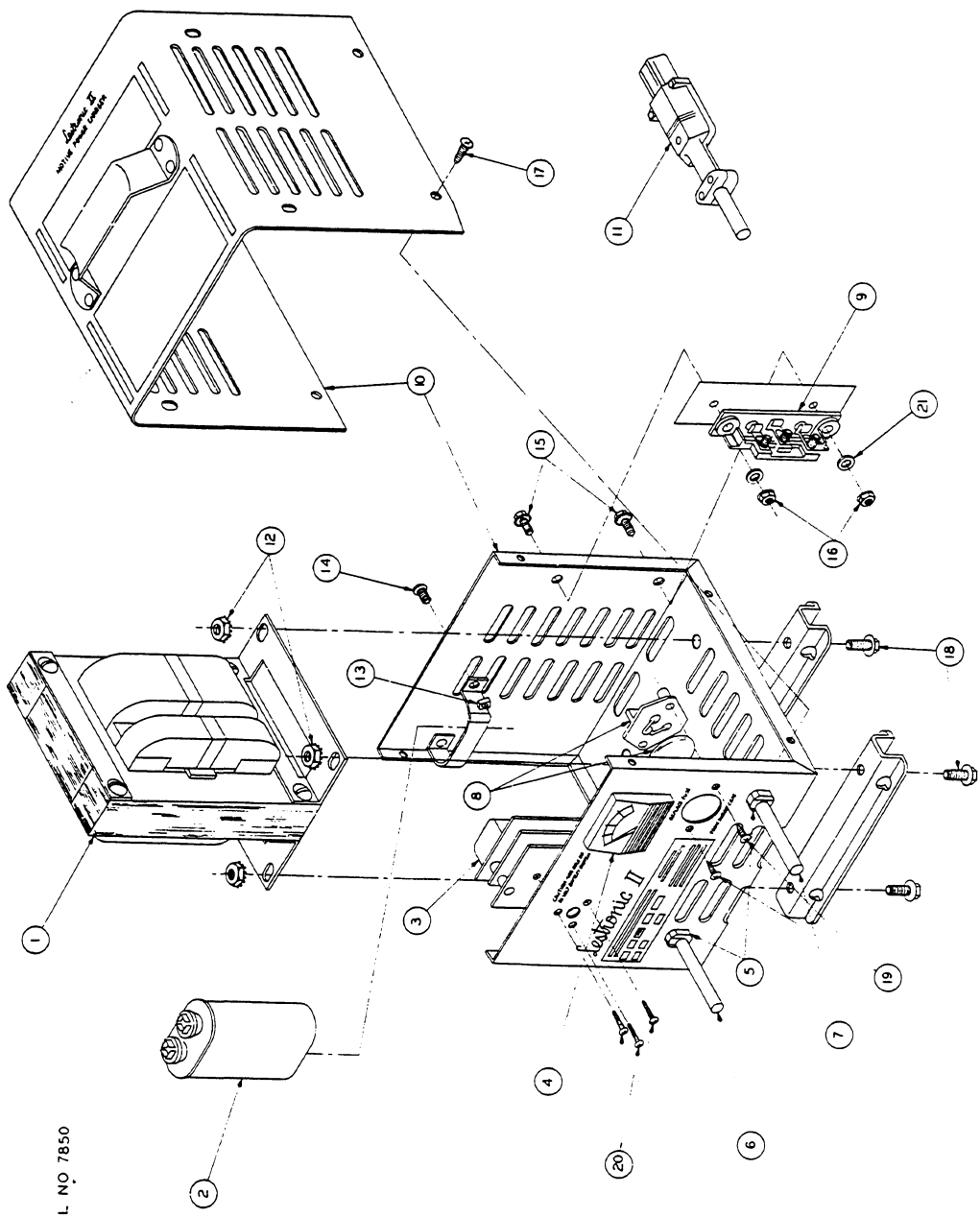
LESTER MODEL NO 9655  
 (REPLACED BY CLUB CAR NO 1011655)

INCLUDE PART NUMBER OF EACH PART ORDERED AND SERIAL NUMBER OF CAR

LESTER BATTERY CHARGER MODEL NO. 7850

Item No.	Part No.	Description	Qty.
1.	1012094	Transformer (Includes Item 12, 18)	1
2.	1012095	Capacitor	1
3.	1012096	Electronic Timer	1
4.	1012097	Ammeter	1
5.	1012098	Bushing	2
6.	1012099	A.C. Cordset	1
7.	1012100	D.C. Cordset (Includes Item 11)	1
8.	1012101	Fuse Assembly (Includes Item 19)	1
9.	1012102	Heatsink Assembly (Includes Items 15, 16)	1
10.	1012103	Case	1
11.	0004133	Replacement Plug	1
12.	1012123	1/4 - 20 "K" Locknut	4
13.	1011571	No. 8 - 32 Hex Head Nut	1
14.	1012129	No. 8 - 32 x 5/16" Phillips Head Machine Screw	1
15.	1012127	No. 10 - 32 x 1/2" Hex Washer Hd. Mach. Screw	2
16.	1012133	No. 10 - 32 "K" Lock Nut	2
17.	0007716	No. 10 Type AB Self Tapping Screw	8
18.	0000403	1/4 - 20 x 5/8" Hex Head Bolt	4
19.	1012130	No. 7 Type AB Self Tapping Screw	2
20.	1012056	No. 8 - 32 x 1/4" Phillips Head Machine Screw	3
21.	0000183	No. 10 Plain Washer	2

INCLUDE PART NUMBER OF EACH PART ORDERED AND SERIAL NUMBER OF CAR



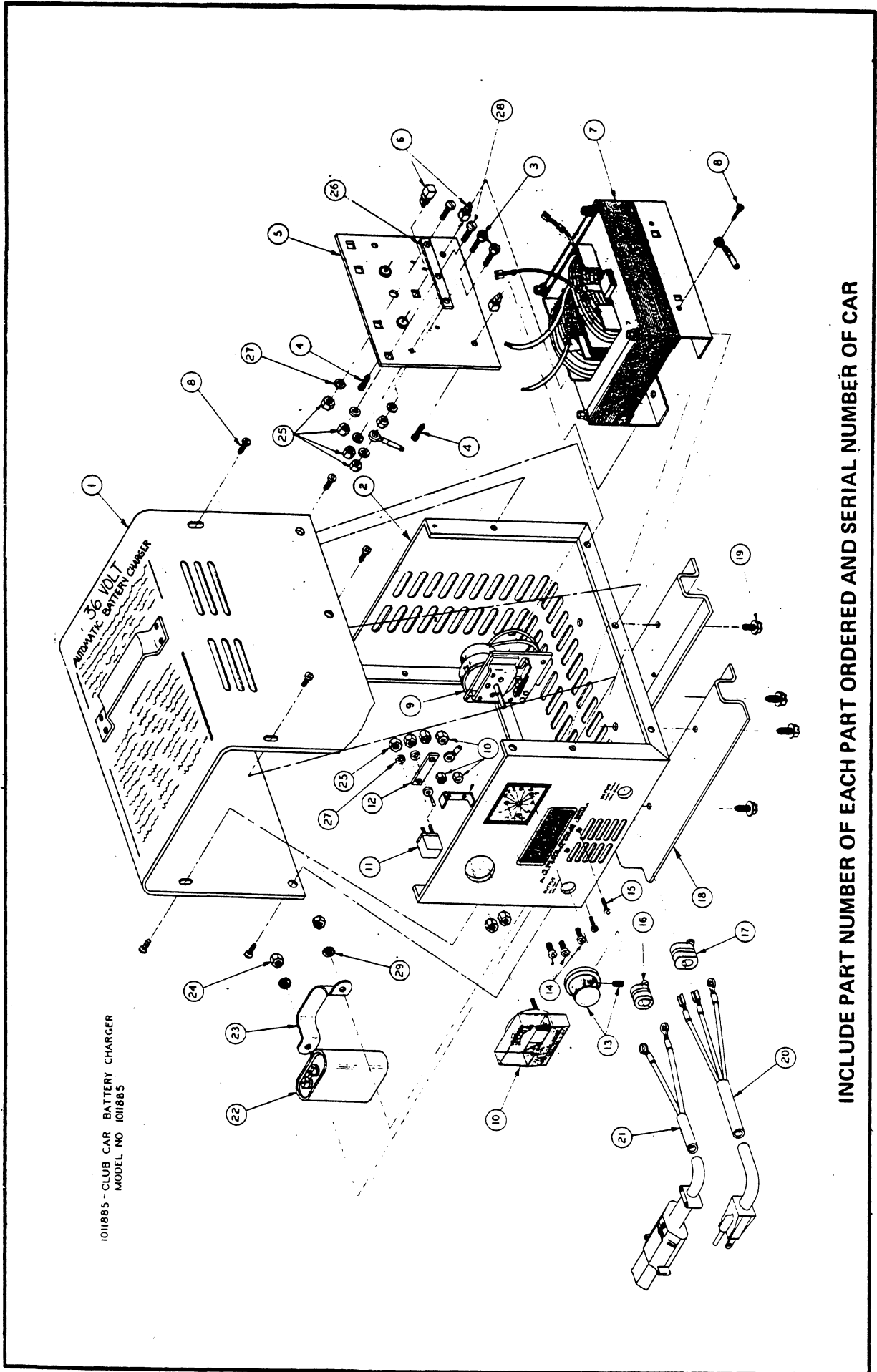
101655 - LESTER MODEL NO 7850  
COMPLETE

INCLUDE PART NUMBER OF EACH PART ORDERED AND SERIAL NUMBER OF CAR

**CLUB CAR BATTERY CHARGER MODEL NO. 1011885**

<u>Item No.</u>	<u>Part No.</u>	<u>Description</u>	<u>Qty.</u>
1.	1012016	Charger Cover and Handle Assembly	1
2.	1012017	Charger Case w/Silk Screen	1
3.	Kit	Fuse 80 Amp	1
4.	0001620	No. 8 x 3/4" Self Tapping Screw	2
5.	1011999	Heatsink Assembly	1
6.	1012013	Screw Crommet	3
7.	1012002	Transformer and Mounting Rail	1
8.	1012047	No. 8 - 32 x 3/8" Self Tapping Type C	11
9.	1012000	Timer	1
10.	1012001	Panel Meter and Mounting Bracket	1
11.	1012005	"Shortstop" Circuit Breaker	1
12.	1012012	Strap	1
13.	1011998	Knob and Set Screw	1
14.	1012056	No. 8 - 32 x 1/4" Phillips Head Screw	3
15.	1012048	No. 8 - 32 x 3/8" Phillips Head Screw	2
16.	1012042	Strain Relief - DC Cord	1
17.	1012049	Strain Relief - AC Cord	1
18.	1012015	Mounting Rail	2
19.	1012077	1/4 x 1/2 Slotted Hex Washer Head	4
20.	1012069	AC Input Cord	1
21.	1012064	DC Output Cord	1
22.	1012014	Capacitor	1
23.	1012043	Capacitor Strap	1
24.	1011571	No. 8 - 32 Hex Nut	2
25.	0007893	No. 10 Machine Screw Nut	7
26.	Kit	Insulator	1
27.	0008049	No. 10 Int. Tooth Lockwasher	7
28.	0008104	No. 10 - 32 Rd. Head Slotted	2
29.	1012076	No. 8 - Ext. Tooth Lockwasher	2
	1012086	Fuse Link Kit	
		Includes Item No. 3(1), No. 26(1), No. 25 (5), No. 27(5), No. 28(2)	

**INCLUDE PART NUMBER OF EACH PART ORDERED AND SERIAL NUMBER OF CAR**



101885 - CLUB CAR BATTERY CHARGER  
MODEL NO 101885

INCLUDE PART NUMBER OF EACH PART ORDERED AND SERIAL NUMBER OF CAR

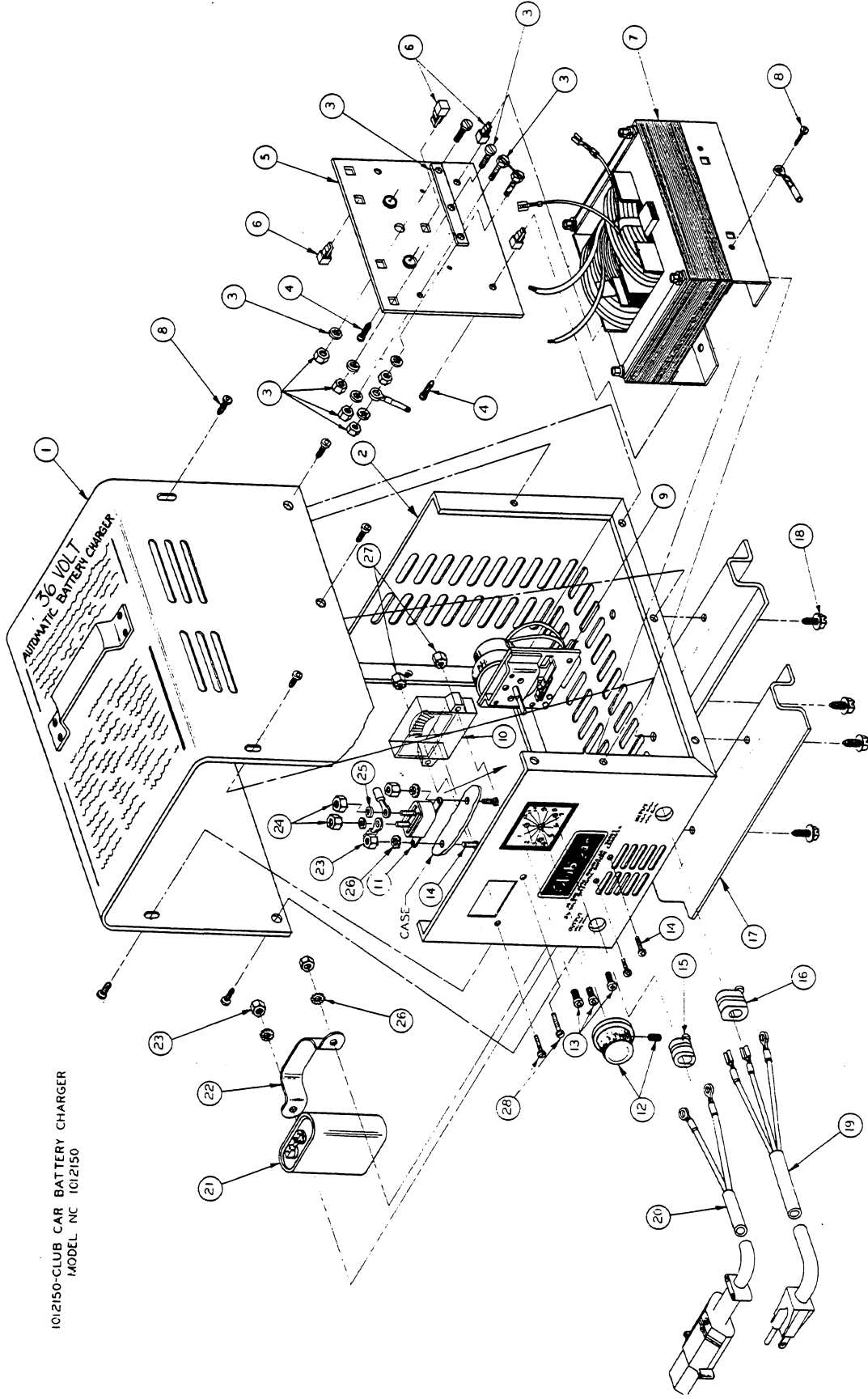
CLUB CAR BATTERY CHARGER MODEL NO. 1012150

<u>Item No.</u>	<u>Part No.</u>	<u>Description</u>	<u>Qty.</u>
1.	1012016	Charger Cover and Handle Assembly	1
2.	1012449	Charger Case	1
3.	1012086	Fuse Link Kit	1
4.	0001620	No. 8 x 3/4 Self Tapping Screw	2
5.	1011999	Heatsink Assembly	1
6.	1012013	Screw Grommet	4
7.	1012002	Transformer and Mounting Rail	1
8.	1012047	No. 8 - 32 x 3/8 Self Tapping Type C	11
9.	1012000	Timer	1
10.	1012141	Inductive Ammeter	1
11.	1012450	"Shortstop" Circuit Breaker	1
12.	1011998	Knob and Set Screw	1
13.	1012056	No. 8 - 32 x 1/4 Phillips Head Screw	3
14.	1012048	No. 8 - 32 x 3/8 Phillips Head Screw	4
15.	1012042	Strain Relief - DC Cord	1
16.	1012049	Strain Relief - AC Cord	1
17.	1012015	Mounting Rail	2
18.	1012077	1/4 x 1/2 Slotted Hex Washer Head	4
19.	1012069	AC Input Cord	1
20.	1012064	DC Input Cord	1
21.	1012451	Capacitor	1
22.	1012043	Capacitor Strap	1
23.	1011571	No. 8 - 32 Hex Nut	4
24.	0007893	No. 10 Machine Screw Nut	2
25.	0008049	No. 10 Internal Tooth Lock Washer	2
26.	1012076	No. 8 External Tooth Lock Washer	4
27.	1011229	No. 6 - 32 "K" Lock Nut	2
28.	1011557	No. 6 - 32 x 1.00 Pan Head Slotted MachineScrew	2

INCLUDE PART NUMBER OF EACH PART ORDERED AND SERIAL NUMBER OF CAR



1012150-CLUB CAR BATTERY CHARGER  
MODEL NC 1012150



INCLUDE PART NUMBER OF EACH PART ORDERED AND SERIAL NUMBER OF CAR



**Section VI**  
**ACCESSORIES**



## ACCESSORIES INDEX

<u>Description</u>	<u>Page No.</u>
Wheel Covers	6-1
Light Duty Tow Bar	6-3
Permanent Type Towing System	6-5
Trailer Hitch	6-7
Lighting Packages	6-9
AM/FM Stereo Radio	6-11
Sweater Basket	6-13
Rake & Rake Holder	6-15
Ice Chest	6-17
Four Passenger	6-19
Four Passenger Canopy	6-21
Windshield	6-23
Standard Canopy	6-25

## ACCESSORIES NOT ILLUSTRATED

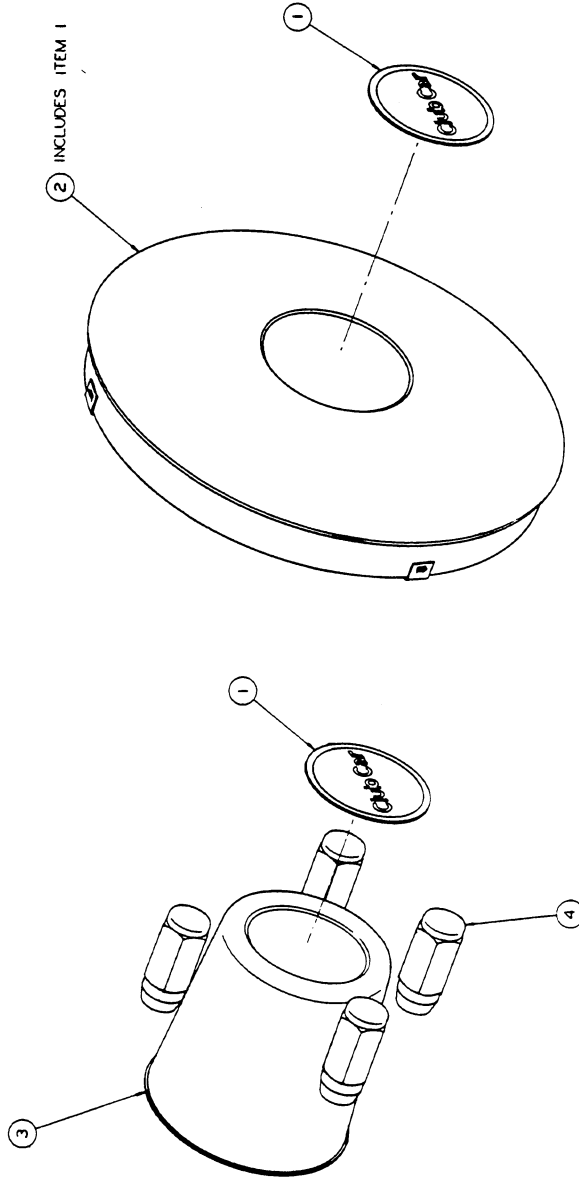
<u>Description</u>	<u>Part Number</u>
Four Bag Attachment (Std. Car)	1011907
Four Bag Attachment (Four Passenger)	1011519
Metallic Gold Pin Stripe Kit (50' Roll)	1011179
Cigarette Lighter Kit	1011518
Ashtry Kit	1011230
Bagwell Protector Kit	1011603
Fiberglass Repair Kit	1012093
Rear View Mirror Kit	1011524
Volt Ohm Meter	1011480
Hydrometer	1011478
Hubodometer and Mounting Bracket	1010282
Battery Tester (Discharge Machine)	1010687
Continuity Tester	1011273
Battery Thermometer	1011767
AC Hour Meter Installation	1011473
Battery Condition Indicator (Electrical "Fuel" Gauge)	1012152

WHEEL COVER (FLAT) & (RALLY)

<u>Item No.</u>	<u>Part No.</u>	<u>Description</u>	<u>Qty.</u>
1.	1010983	Wheel Cover Decal	1
2.	1011505	Flat Wheel Cover (Includes Item No. 1)	A/R
3.	1010981	Rally Wheel Cover Assembly (Includes Item No. 1)	1
4.	1010980	Chrome Lug Nuts	4

INCLUDE PART NUMBER OF EACH PART ORDERED AND SERIAL NUMBER OF CAR

1010982 - RALLY WHEEL COVER KIT  
INCLUDES ITEM NO 1,3&4.



INCLUDE PART NUMBER OF EACH PART ORDERED AND SERIAL NUMBER OF CAR

Issue Date 8/1/88  
Effective Serial No. A8036-15260 thru \_\_\_\_\_

**LIGHT DUTY TOW BAR**

<u>Item No.</u>	<u>Part No.</u>	<u>Description</u>	<u>Qty.</u>
1.	1010039	Wave Spring Washer	1
2.	1010028	Washer	1
3.	0007910	5/32 x 1" Cotter Pin	1
4.	1010029	Steering Arm Weld Assembly	1
5.	0001308	1/2 - 20 Hex Nut	1
6.	0007539	R. H. Socket Assembly (Includes Item No. 7)	1
7.	0007602	3/8 - 24 UNF Slotted Hex Nut	1
8.	0001035	3/32 x 1" Cotter Pin	1
9.	1010317	Compression Spring	2
10.	0000334	3/8 Flat Washer (Special)	1
11;	0008725	Safety Plunger	2
12.	0008701	Tow Bar Body Sub Assembly	1
13.	0008708	Light Duty Tow Bar Complete (Includes Items 1 thru 12)	1

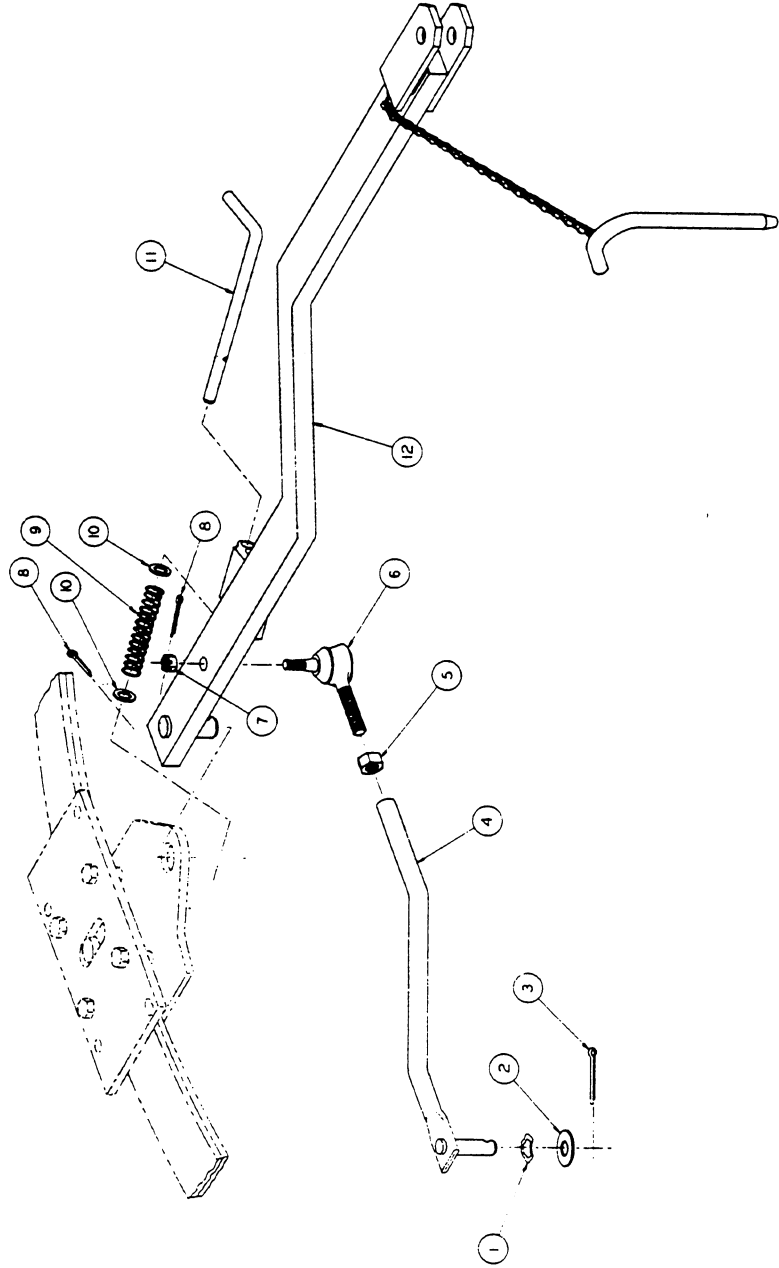
**INCLUDE PART NUMBER OF EACH PART ORDERED AND SERIAL NUMBER OF CAR**

Issue Date 8/1/83

Effective Serial No. A8036-15260 thru \_\_\_\_\_



0008708 - LIGHT DUTY TOW BAR COMPLETE  
(INCLUDES ITEMS 1 THRU 12)



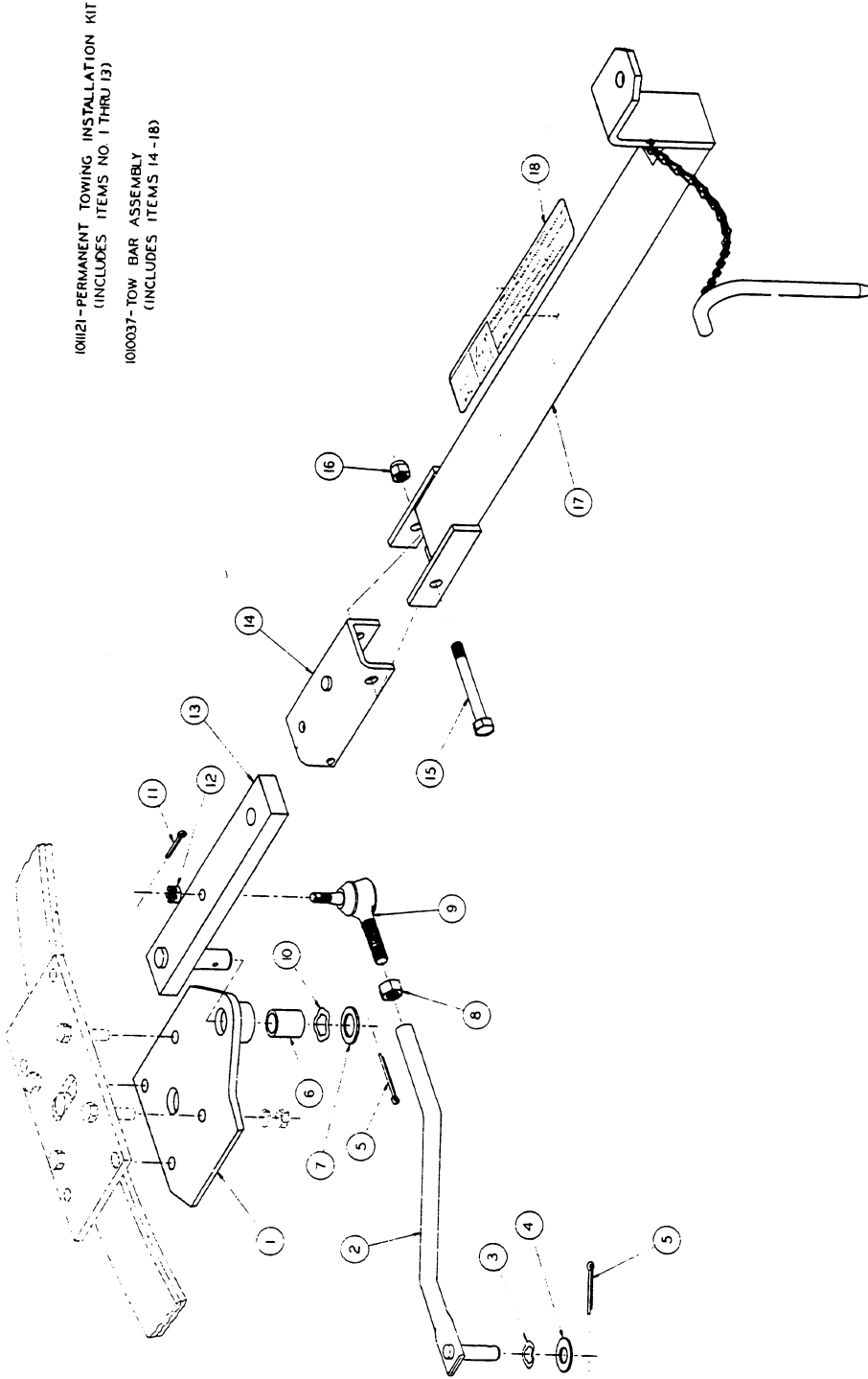
INCLUDE PART NUMBER OF EACH PART ORDERED AND SERIAL NUMBER OF CAR

Issue Date 8/1/83  
Effective Serial No. A8036-15260 thru \_\_\_\_\_

1980 PERMANENT TYPE TOWING

<u>Item No.</u>	<u>Part No.</u>	<u>Description</u>	<u>Qty.</u>
1.	1010025	Front Spring Retainer Plate	1
2.	1010029	Steering Arm Weld Assembly	1
3.	1010039	Wave Spring Washer	1
4.	1010028	Flatwasher	1
5.	0007910	5/32 x 1" Cotter Pin	2
6.	0008067	Bronze Bushing	1
7.	1010042	3/4 Flatwasher	1
8.	0001308	1/2 - 20 UNF Hex Nut	1
9.	0007539	R. H. Socket Assembly (Includes Item No. 12)	1
10.	1010040	Wave Spring Washer	1
11.	0007910	5/32 x 1" Cotter Pin	1
12.	0007602	3/8 - 24 UNF Slotted Hex Nut	1
13.	1010035	Towing Lug Weld Assembly	1
14.	1010034	Channel Weld Assembly	1
15.	0008752	3/8 - 16 x 3" Hex Head Bolt	1
16.	0008754	3/8 - 16 UNC Nylon Insert Locknut	1
17.	1010032	Tow Bar Weld Assembly	1
18.	1010038	Tow Bar Label	1

INCLUDE PART NUMBER OF EACH PART ORDERED AND SERIAL NUMBER OF CAR



101021-PERMANENT TOWING INSTALLATION KIT  
 (INCLUDES ITEMS NO. 1 THRU 13)  
 1010037-TOW BAR ASSEMBLY  
 (INCLUDES ITEMS 14-18)

INCLUDE PART NUMBER OF EACH PART ORDERED AND SERIAL NUMBER OF CAR

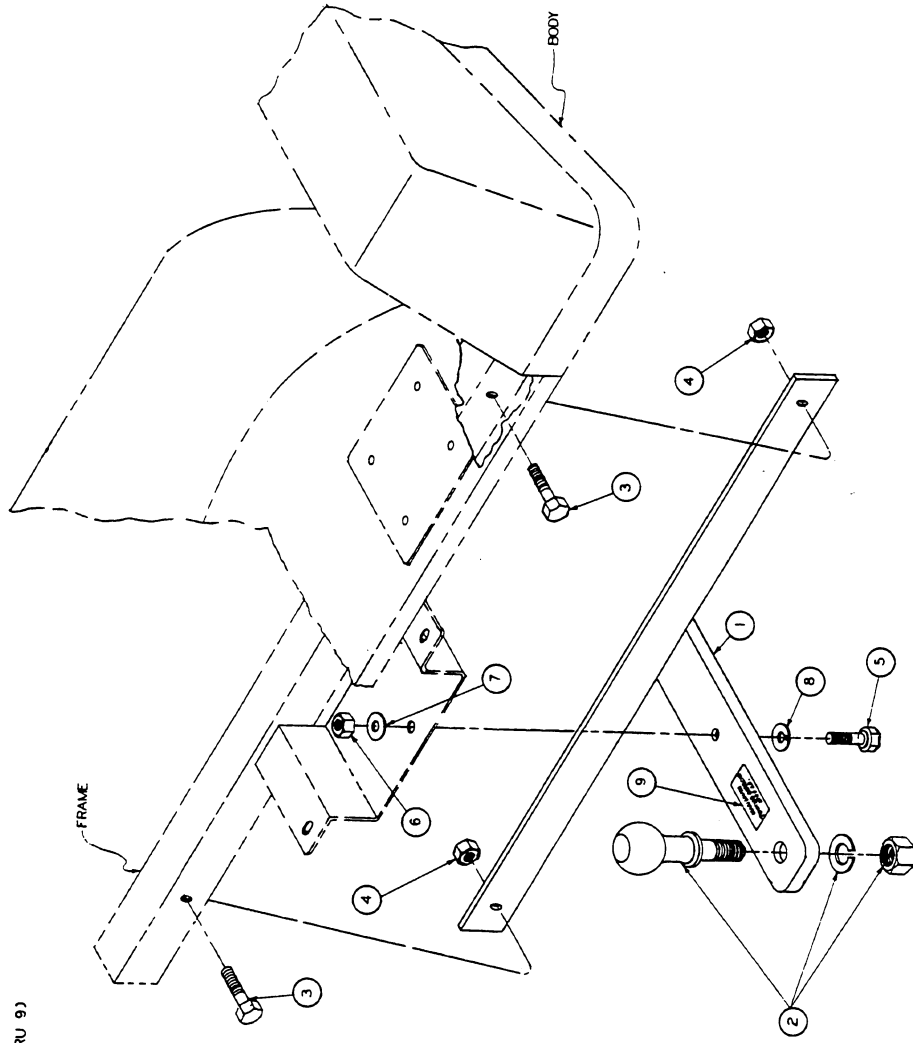
Issue Date 8/1/83  
 Effective Serial No. A8036-15260 thru

**TRAILER HITCH**

<u>Item No.</u>	<u>Part No.</u>	<u>Description</u>	<u>Qty.</u>
1.	1011550	Trailer Hitch Weld Assembly	1
2.	1011546	Trailer Ball w/Nut & Lockwasher	1
3.	0001218	5/16 - 18 x 1 1/4" Hex Head Bolt	2
4.	0007473	5/16 - 18 Nylon Locknut	2
5.	0001624	3/8 - 16 x 1 1/2" Hex Head Bolt	1
6.	0000706	3/8 - 16 Hex Nut	1
7.	0000808	3/8 Flat Washer	1
8.	0000357	3/8 Lock Nut	1
9.	1011553	Trailer Hitch Decal	1

**INCLUDE PART NUMBER OF EACH PART ORDERED AND SERIAL NUMBER OF CAR**

K01522 - TRAILER HITCH KIT  
(INCLUDES ITEMS 1 THRU 9)



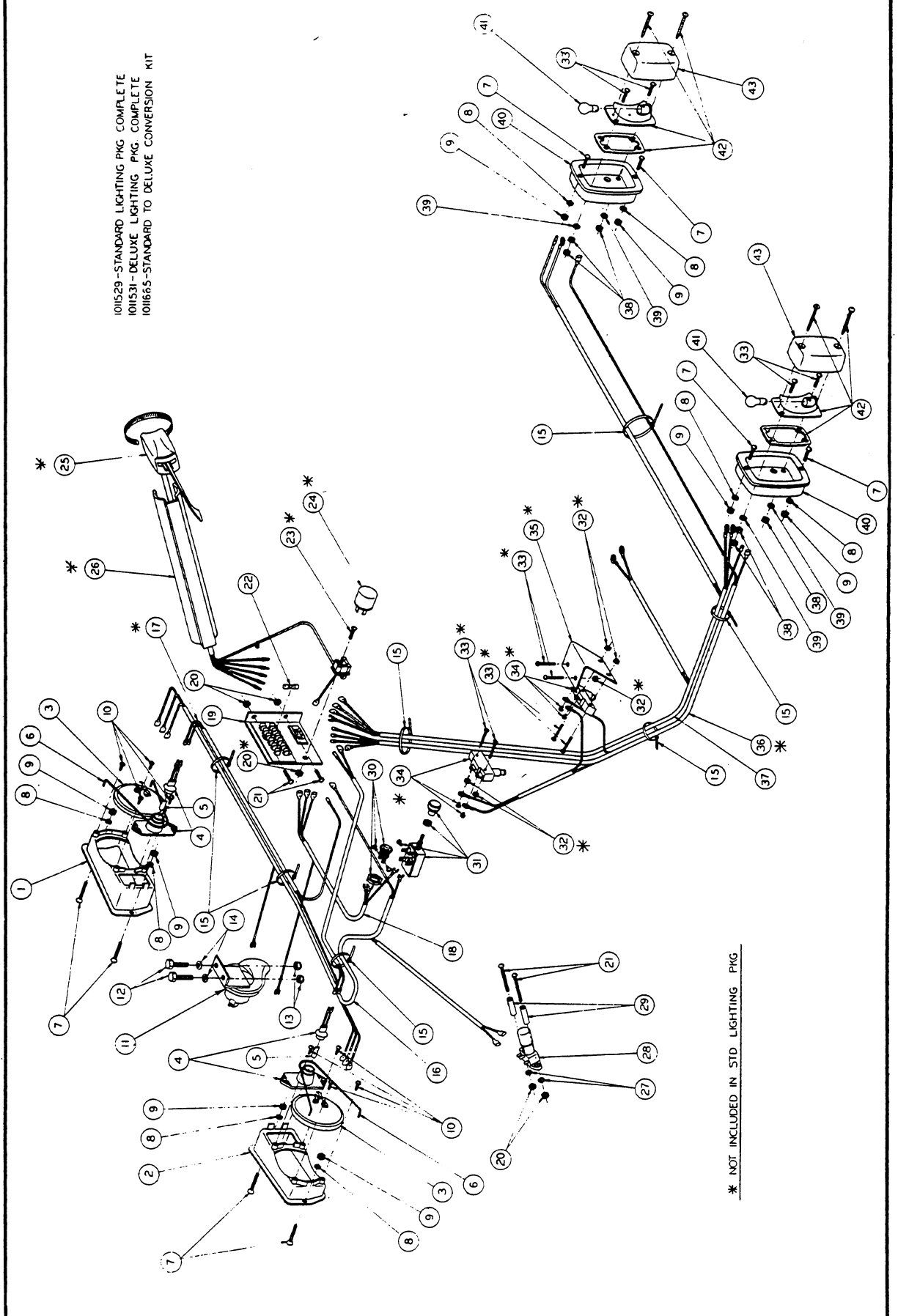
**INCLUDE PART NUMBER OF EACH PART ORDERED AND SERIAL NUMBER OF CAR**

Issue Date 8/1/83  
Effective Serial No. A8036-15260 thru A8532-82690

**LIGHTING PACKAGE (STANDARD AND DELUXE)**

Item No.	Part No.	Description	Qty.	Item No.	Part No.	Description	Qty.
1.	1011499	Right Hand Headlight Bezel	1	23.	0008104	No. 10 - 32 x 3/4 Round Head Screw	1
2.	1011584	Left Hand Headlight Bezel	1	24.	1010822	Flasher	1
3.	1011504	Headlight Hi-Low Beam	2	25.	1011590	Turn Signal Sub Assembly	1
4.	1011379	Front Turn Signal (Includes Item No. 5)	2	26.	1011492	Steering Column Wire Cover	1
5.	1011583	Turn Signal Bulb	2	27.	0008049	No. 10 Internal Tooth Lockwasher	2
6.	1011559	Headlight Clip	2	28.	1010889	Dimmer Switch	1
7.	1011498	No. 8 - 32 Phillips Oval Countersunk Hd. Screw	8	29.	1010910	Stand Off - Dimmer Switch	2
8.	1011610	No. 8 Lockwasher	8	30.	0007913	Horn Button	1
9.	1011571	No. 8 - 32 Hex Nut	8	31.	0004034	Light Switch	1
10.	1010715	10 - 14 Tri-Lob Truss Head Screw	8	32.	1011229	No. 6 - 32 UNC "K" Locknut	1
11.	0004029	Horn	1	33.	1011557	No. 6 - 32 x 1 Slotted Pan Head Screw	6
12.	0000304	1/4 - 20 UNC x 1" Hex Head Bolt	2	34.	1011439	Overtravel Plunger Switch	10
13.	0000332	1/4 Flatwasher	2	35.	1011742	Brake Light Switch Bracket	2
14.	0008233	1/4 - 20 UNC Nylon Locknut	2	36.	1011552	Wire Harness - Deluxe Lighting Package Rear Flash	1
15.	0008990	Tie Wrap	7	37.	1011534	Wire Harness - Std. Lighting Pkg. Taillight	1
16.	1011542	Wire Harness - Std. Lighting Pkg. - Headlight	1	38.	1011558	No. 6 Hex Head Nut	6
17.	1011556	Wire Harness - Deluxe Lighting Pkg. - Turn Signal Light	1	39.	0007591	No. 6 Flatwasher	4
18.	1011506	Wire Harness - Switch	1	40.	1011497	Taillight Bezel	2
19.	1011502	Terminal Block and Fuse Panel Assembly	1	41.	1011582	Taillight Bulb	2
20.	0007893	No. 10 - 32 Hex Nut	1	42.	1011384	Taillight (Includes Item No. 41 & 43)	2
21.	1010909	No. 10 - 32 x 1 1/4" Round Head Screw	5	43.	1011843	Taillight Lens	2
22.	0008106	20 Amp Fuse	2				2
			4				

**INCLUDE PART NUMBER OF EACH PART ORDERED AND SERIAL NUMBER OF CAR**



101529 - STANDARD LIGHTING PKG. COMPLETE  
 101531 - DELUXE LIGHTING PKG. COMPLETE  
 101665 - STANDARD TO DELUXE CONVERSION KIT

\* NOT INCLUDED IN STD. LIGHTING PKG.

**AM/FM STEREO RADIO**

<u>Item No.</u>	<u>Part No.</u>	<u>Description</u>	<u>Qty.</u>
1.	1011766	AM/FM Stereo Radio w/Wires	1
2.	1011677	Speakers (Pair)	1
3.	1011678	Antenna	1
4.	1011696	Speaker Insulation	2
5.	1011663	Radio Bracket	1
6.	1011687	No. 10 - 32 x 1/4" Hex Head Screw	2
7.	0008104	No. 10 - 32 x 3/4" Round Head Screw	4
8.	0007893	No. 10-32 Hex Nut	4
9.	0000183	No. 10 Flatwasher	4
10.	0008049	No. 10 Internal Tooth Lockwasher	4

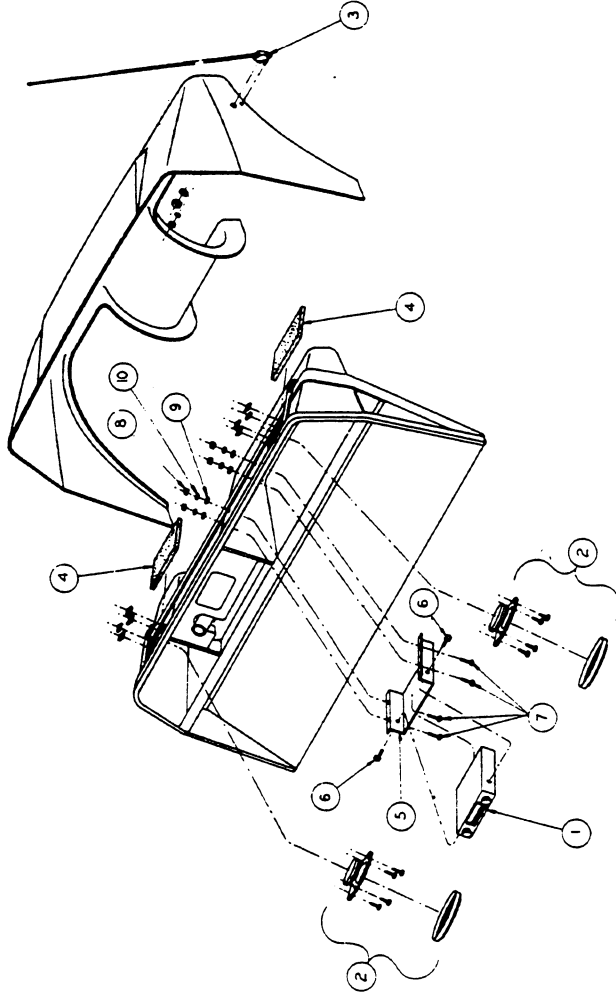
**INCLUDE PART NUMBER OF EACH PART ORDERED AND SERIAL NUMBER OF CAR**

Issue Date 8/1/83

Effective Serial No. A8036-15260 thru \_\_\_\_\_



1011658 AM/FM Stereo Radio Kit  
(Includes Items 1 thru 10)



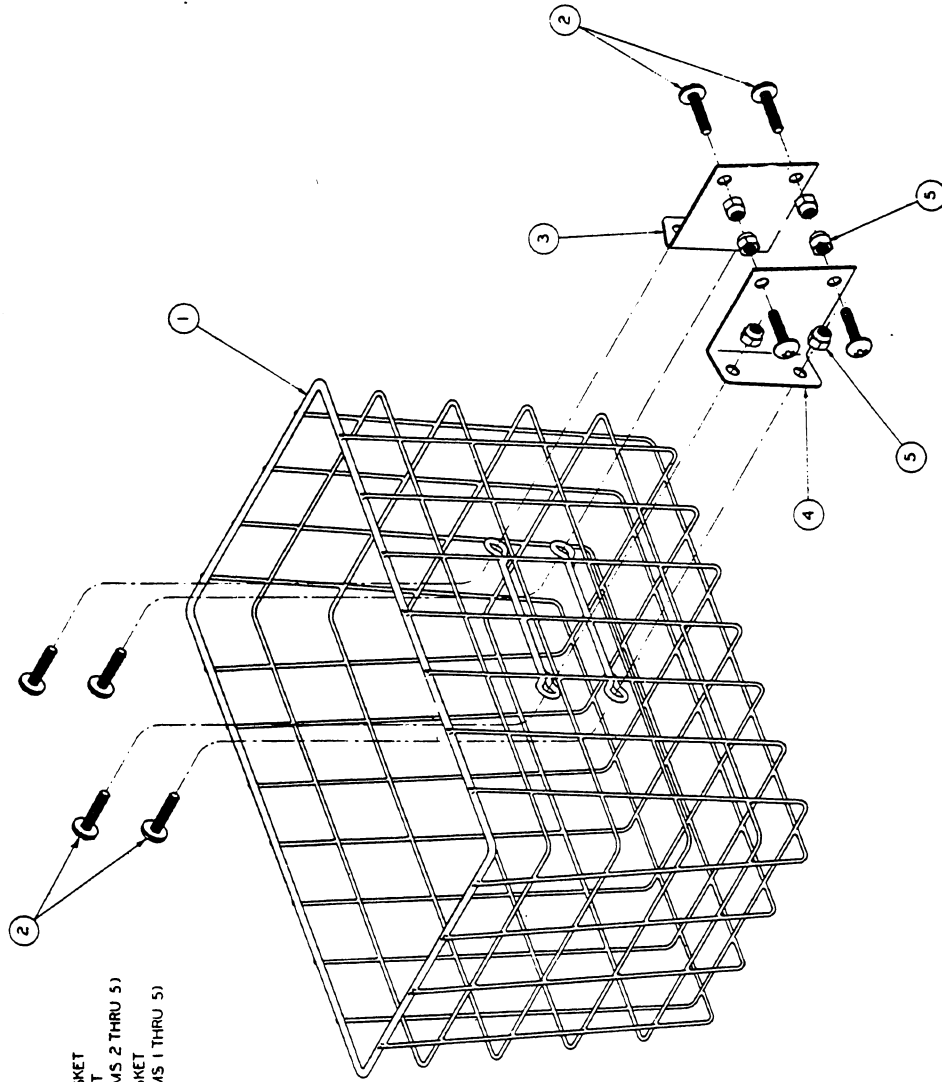
INCLUDE PART NUMBER OF EACH PART ORDERED AND SERIAL NUMBER OF CAR

Issue Date 8/1/83  
Effective Serial No. A 8036-15260 thru \_\_\_\_\_

SWEATER BASKET

<u>Item No.</u>	<u>Part No.</u>	<u>Description</u>	<u>Qty.</u>
1.	1010782	Sweater Basket, Vinyl Coated	1
2.	0008248	1/4 - 20 x 3/4" Phillips Head Screw	8
3.	1010610	L. H. Mounting Bracket	1
4.	1010611	R. H. Mounting Bracket	1
5.	0008233	1/4 - 20 Nylon Insert Locknut	8

INCLUDE PART NUMBER OF EACH PART ORDERED AND SERIAL NUMBER OF CAR



1010532 - SWEATER BASKET  
MOUNTING KIT  
(INCLUDES ITEMS 2 THRU 5)  
1010533 - SWEATER BASKET  
(INCLUDES ITEMS 1 THRU 5)

INCLUDE PART NUMBER OF EACH PART ORDERED AND SERIAL NUMBER OF CAR

**SWEATER BASKET**

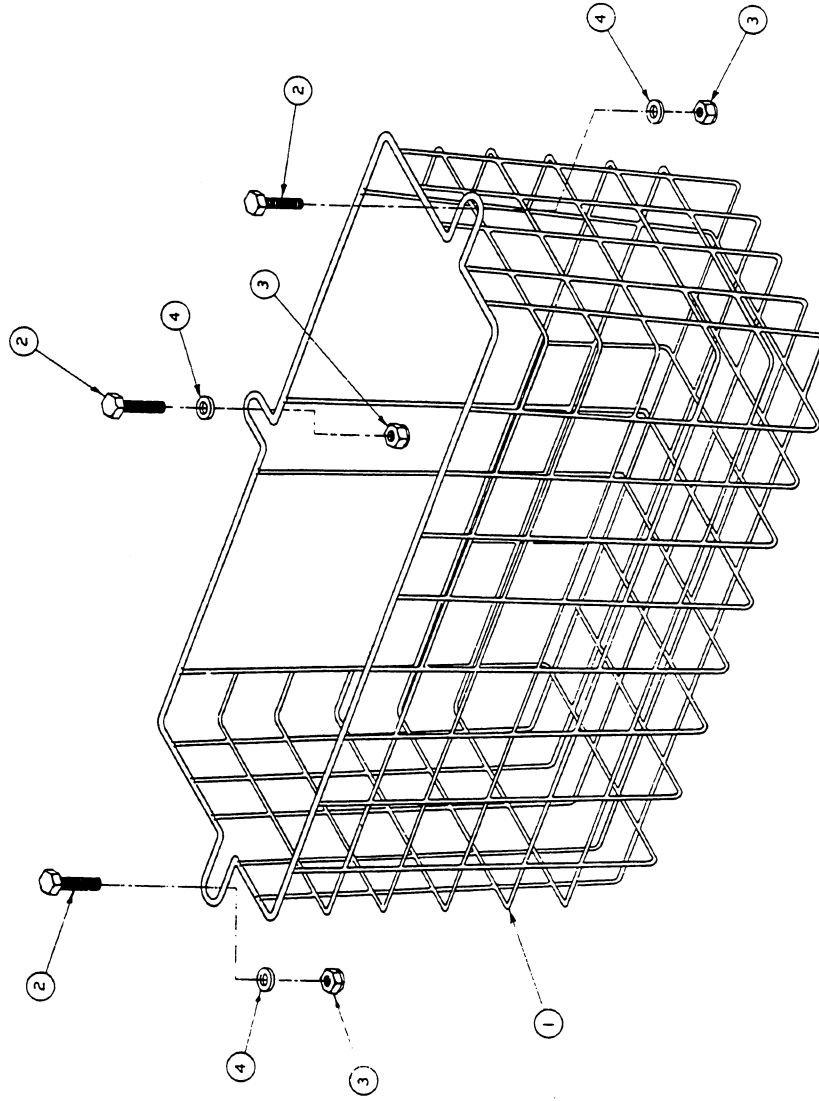
<u>Item No.</u>	<u>Part No.</u>	<u>Description</u>	<u>Qty.</u>
1.	1011746	Sweater Basket	1
2.	0000304	1/4 - 20 x 1" Hex Head Bolt	3
3.	0008233	1/4 - 20 Nylon Locknut	3
4.	1011931	1/4 Flatwasher	3

**INCLUDE PART NUMBER OF EACH PART ORDERED AND SERIAL NUMBER OF CAR**

Issue Date 8/1/83

Effective Serial No. A8146-26295 thru \_\_\_\_\_

101795 - SWEATER BASKET KIT  
INCLUDES ITEM # 1 THRU 4



INCLUDE PART NUMBER OF EACH PART ORDERED AND SERIAL NUMBER OF CAR

Issue Date 8/1/83

Effective Serial No. A8146-26295 thru \_\_\_\_\_

**RAKE & RAKE HOLDER**

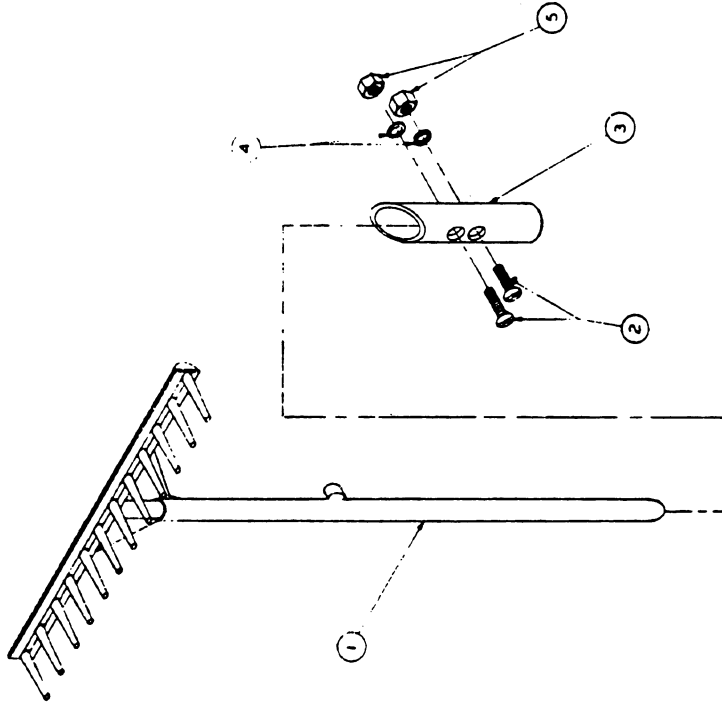
<u>Item No.</u>	<u>Part No.</u>	<u>Description</u>	<u>Qty.</u>
1.	1010236	Rake Assembly	1
2.	0001107	1/4 - 20 x 3/4" Flat Head Screw	2
3.	1010218	Rake Holder	1
4.	0000451	1/4 Lockwasher	2
5.	0001028	1/4 - 20 UNC Hex Nut	2

**INCLUDE PART NUMBER OF EACH PART ORDERED AND SERIAL NUMBER OF CAR**

Issue Date 8/1/83

Effective Serial No. A8036-15260 thru \_\_\_\_\_

1010417 - RAKE HOLDER KIT  
(INCLUDES ITEMS 2 THRU 5)  
1010408 - RAKE & RAKE HOLDER KIT  
(INCLUDES ITEMS 1 THRU 5)



INCLUDE PART NUMBER OF EACH PART ORDERED AND SERIAL NUMBER OF CAR

Issue Date 8/1/83

Effective Serial No. A8036-15260 thru \_\_\_\_\_

**ICE CHEST**

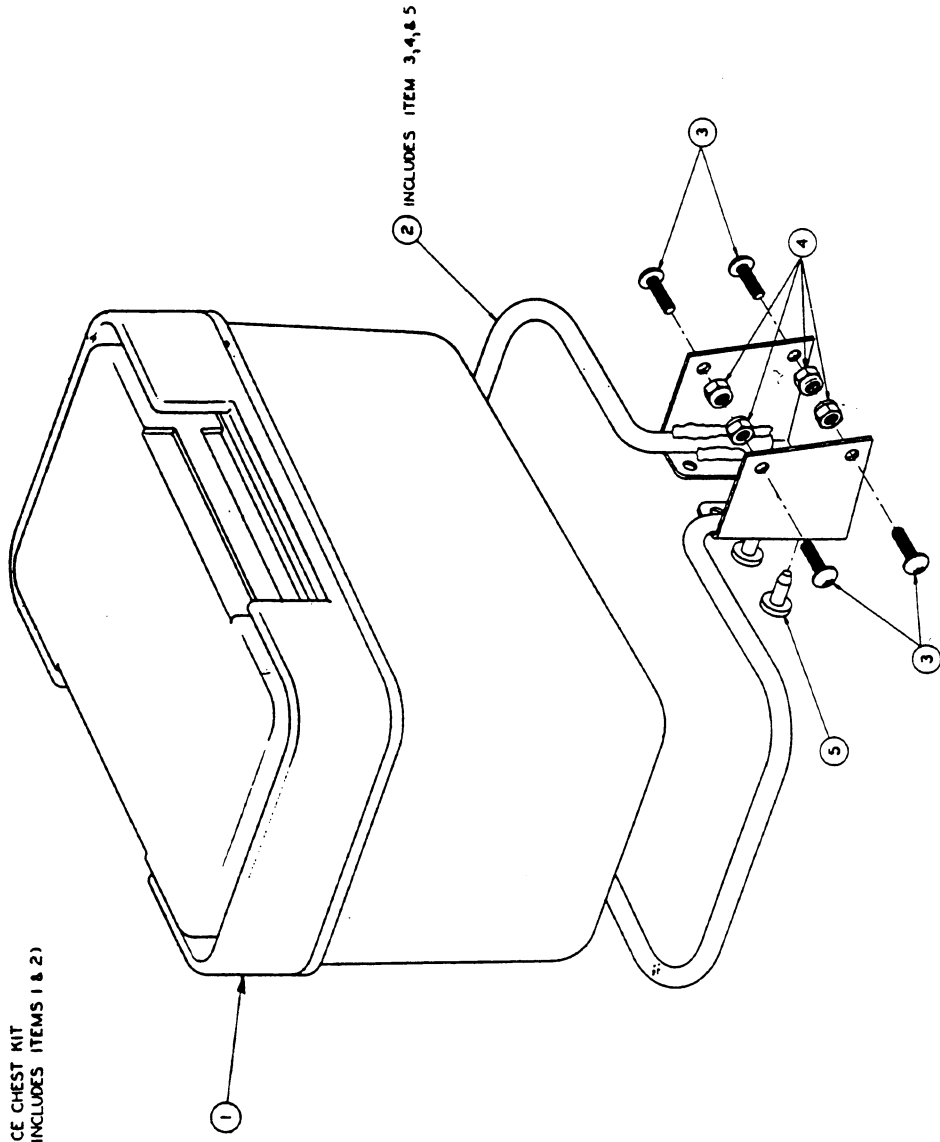
<u>Item No.</u>	<u>Part No.</u>	<u>Description</u>	<u>Qty.</u>
1.	1011588	Ice Chest	1
2.	1011728	Ice Chest Rack and Hardware Kit (Includes Items No. 3, 4, & 5)	
3.	0008248	1/4 - 20 UNC x 3/4" Phillips Truss Hd. Screw	4
4.	0008233	1/4 - 20 UNC Nylon Insert Locknut	4
5.	1010436	Rubber Bumper	2

\* For Cars with Serial No. A8146-26295 and later order Ice Chest Kit No. 1011933.  
This Kit must be used with Sweater Basket Kit No. 1011795. (See page 6-14A)

**INCLUDE PART NUMBER OF EACH PART ORDERED AND SERIAL NUMBER OF CAR**



101525 - ICE CHEST KIT  
(INCLUDES ITEMS 1 & 2)

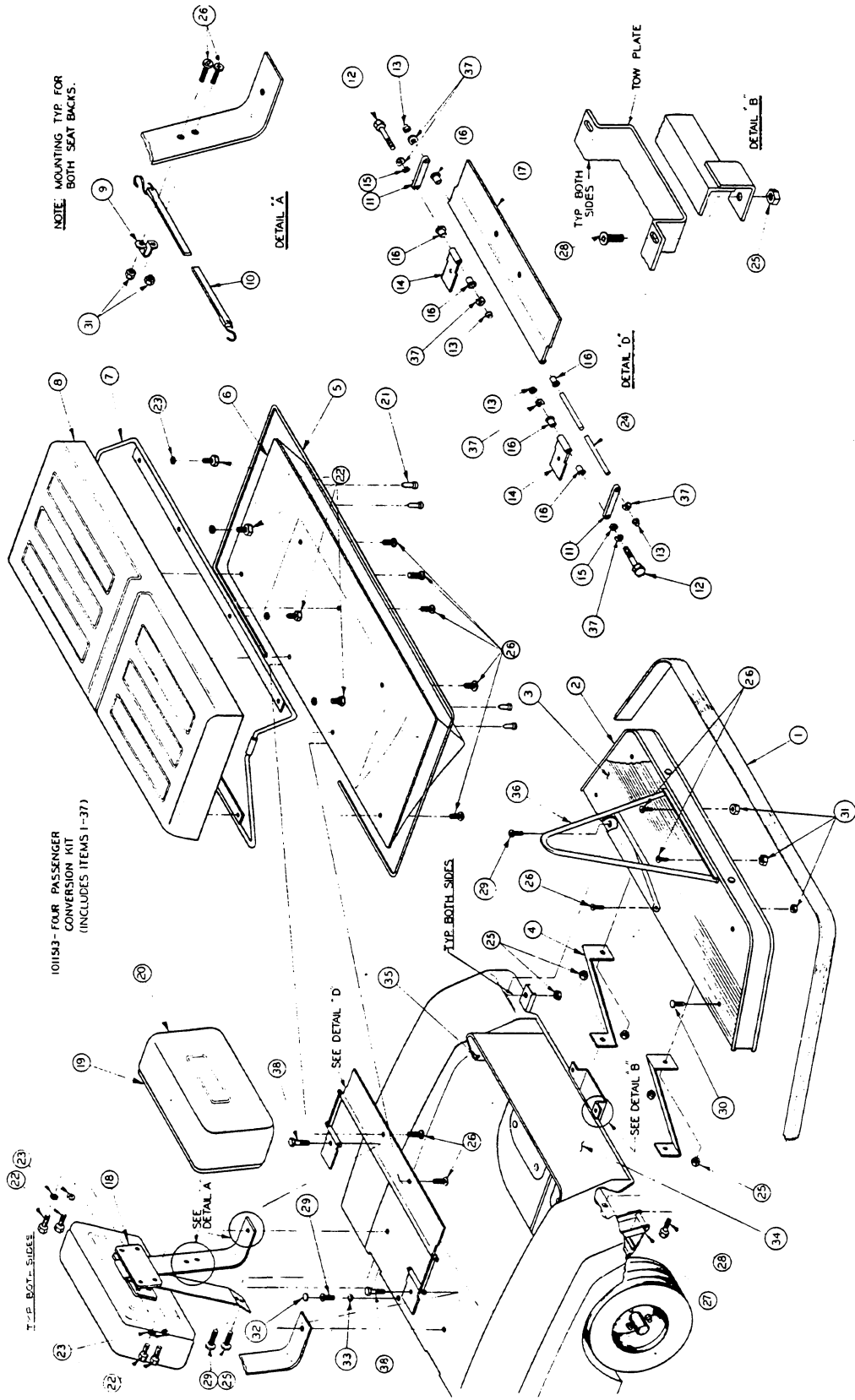


INCLUDE PART NUMBER OF EACH PART ORDERED AND SERIAL NUMBER OF CAR

4 PASSENGER-INDUSTRIAL VEHICLE 1980

Item No.	Part No.	Description	Qty.	Item No.	Part No.	Description	Qty.
1.	1011207	Bumper Guard	1	20.	1011232	Seat Back Sub Assembly	4
2.	1011190	Front Bumper & Plate Weld Assembly	1	21.	1010436	Rubber Bumper	4
3.	1011189	Footrest Mat	1	22.	0000304	1/4 - 20 x 1" Hex Head Bolt	20
4.	1011204	Connecting Bar	2	23.	0008304	1/4 Internal Tooth Lockwasher	20
5.	1011237	Seat Support Trim	1	24.	1011222	Hinge Pin (Long)	1
6.	1011210	Fiberglass Seat Support	1	25.	0007473	5/16 - 18 Nylon Insert Locknut	12
7.	1010212	Armrest Assembly, Seat Bottom	1	26.	0008251	1/4 - 20 x 1" Phillips Truss Head Screw	14
8.	1010213	Seat Bottom Sub Assembly	1	27.	1011149	Heavy Duty Leaf Spring	2
9.	1011235	Cord Retainer	2	28.	0001218	5/16 - 18 x 1 1/4" Hex Head Bolt	4
10.	1011238	Bungie Cord - Dipped	1	29.	0007410	5/16 - 18 x 1 1/4" Phillips Truss Head Screw	7
11.	1011224	Hinge Linkage Arm	2	30.	1010434	Plastic Barrels	4
12.	1012159	1/4 - 20 x 2 3/4" Hex Head Bolt	2	31.	0008233	1/4 - 20 Nylon Insert Locknut	7
13.	101G628	Centerlock Cap Nut	4	32.	1011642	Raised Head Screw Cap	1
14.	1011221	Hinge (Short)	2	33.	1011643	Raised Head Washer	1
15.	0000332	1/4 Flatwasher	2	34.	1011348	Rear Panel	1
16.	0008028	Nylon Bushing	6	35.	0007532	3/16 Pop Rivet	4
17.	1011220	Hinge (Long)	1	36.	1011309	Handrail	1
18.	1011182	Seat Back Support Assembly	2	37.	1010695	Curved Spring Washer	6
19.	1011231	Seat Cap	4	38.	1010577	5/16 - 18 x 1 1/2" Hex Head Bolt	2

INCLUDE PART NUMBER OF EACH PART ORDERED AND SERIAL NUMBER OF CAR

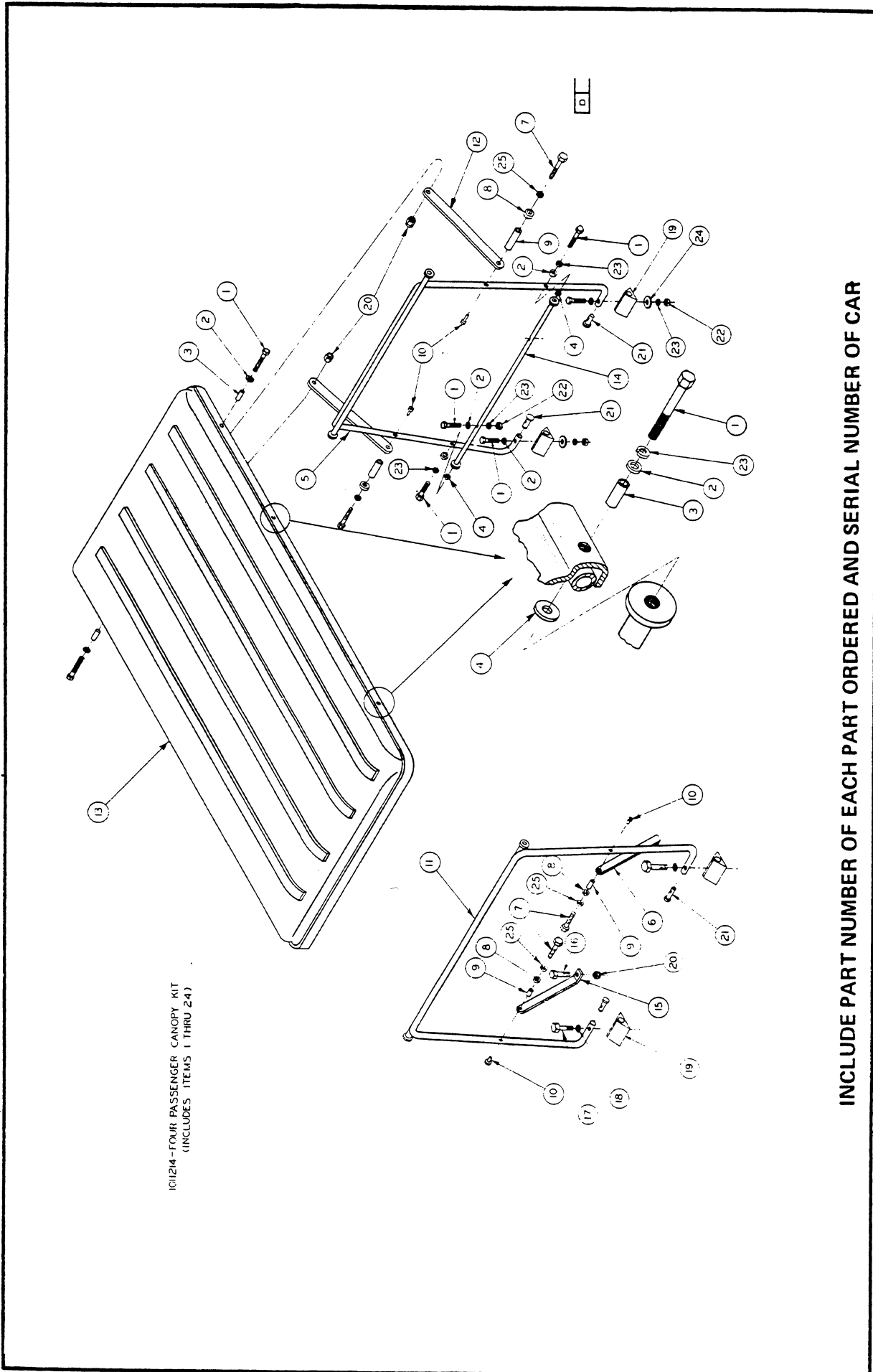


INCLUDE PART NUMBER OF EACH PART ORDERED AND SERIAL NUMBER OF CAR

**CANOPY (4-PASSENGER)**

<u>Item No.</u>	<u>Part No.</u>	<u>Description</u>	<u>Qty.</u>
1.	008963	5/16 - 18 x 1 3/4" Hex Head Bolt	14
2.	0001241	5/16 Flatwasher	12
3.	1010546	Standard Spacer	6
4.	1010517	Nylon Washer	6
5.	1011175	Rear Canopy Support Assembly	1
6.	1011106	Windshild Brace - Left	1
7.	0007479	1/4 - 20 x 1 1/4" Hex Head Bolt	4
8.	0000332	1/4 Flatwasher	4
9.	1010237	Bushing	4
10.	1010504	Curved Flanged Tee Nut	4
11.	1010376	Windshild Frame Assembly	1
12.	1011938	Rear Canopy Brace	2
13.	1011941	Canopy and Trim Assembly	1
14.	1010724	Canopy Mounting Tube Assembly	1
15.	1011108	Windshild Brace Right	1
16.	0001218	5/6 - 18 x 1 1/4" Hex Head Screw	2
17.			
18.	0007820	5/16 Internal Tooth Lockwasher	2
19.	1011115	Vinyl Mounting Pad	4
20.	0007473	5/16 - 18 UNC Nylon Insert Locknut	4
21.	1010500	Windshild Frame Plug	4
22.	0001242	5/16 - 18 UNC Hex Nut	4
23.	0007174	5/16 Lockwasher	10
24.	1011578	Aluminum Flat Washer	2
25.	0000451	1/4 Lockwasher	4

**INCLUDE PART NUMBER OF EACH PART ORDERED AND SERIAL NUMBER OF CAR**



101214-FOUR PASSENGER CANOPY KIT  
(INCLUDES ITEMS 1 THRU 24)

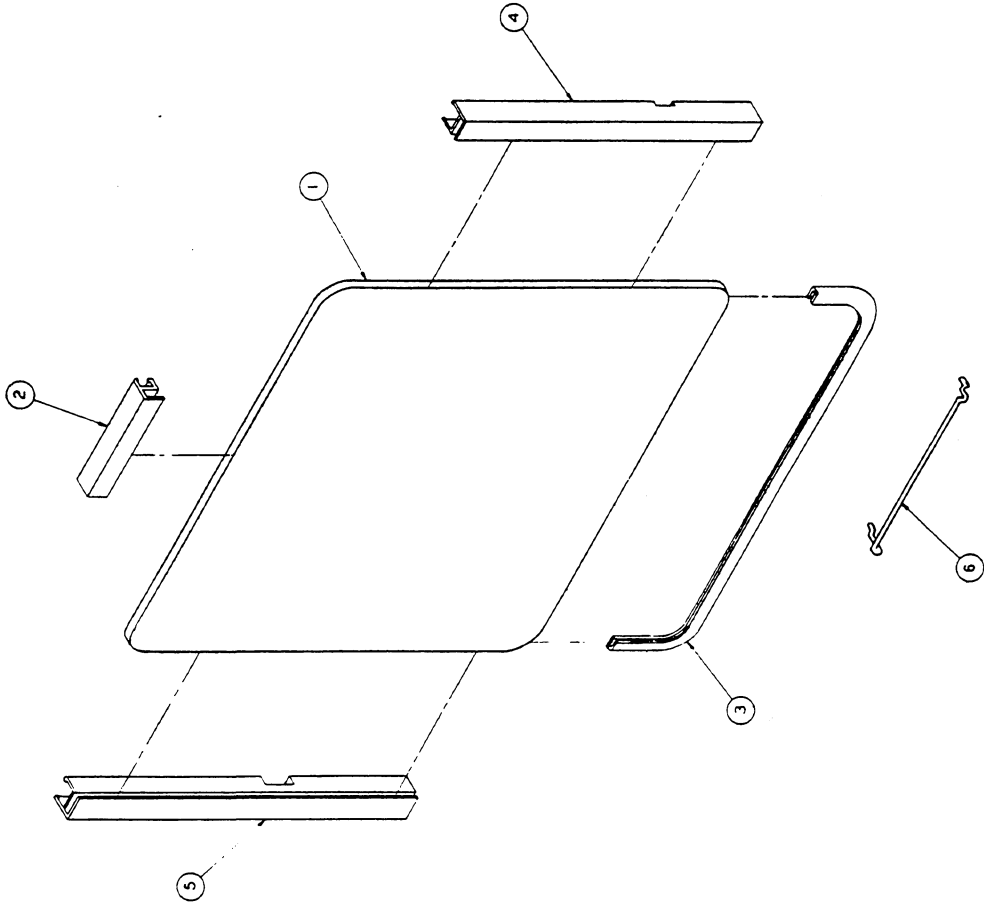
INCLUDE PART NUMBER OF EACH PART ORDERED AND SERIAL NUMBER OF CAR

WINDSHIELD

<u>Item No.</u>	<u>Part No.</u>	<u>Description</u>	<u>Qty.</u>
1.	1011191	Windshield (Tinted)	1
2.	1011197	Windshield Mounting Channel - Top	1
3.	1011193	Vinyl Trim	1
4.	1011196	Windshield Mounting Channel - Left	1
5.	1011195	Windshield Mounting Channel - Right	1
6.	1011199	Windshield Mounting Tab	1

INCLUDE PART NUMBER OF EACH PART ORDERED AND SERIAL NUMBER OF CAR

101200--WINDSHIELD MOUNTING KIT (DS)  
(INCLUDES ITEMS 1 THRU 6)



INCLUDE PART NUMBER OF EACH PART ORDERED AND SERIAL NUMBER OF CAR

Issue Date 8/1/83

Effective Serial No. A8036-15260 thru A8146-26294

**SPORTS CANOPY WINDSHIELD**

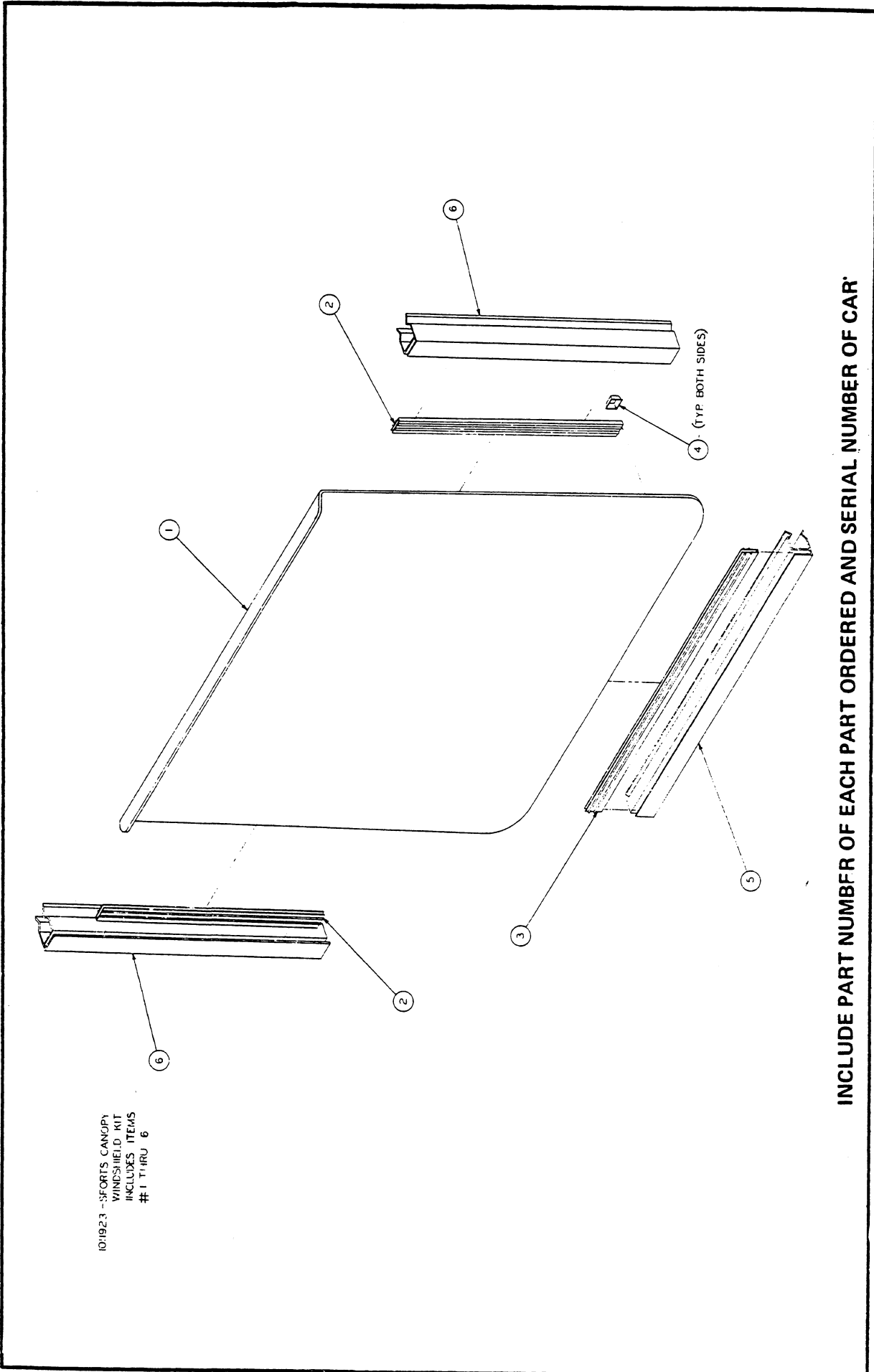
<u>Item No.</u>	<u>Part No.</u>	<u>Description</u>	<u>Qty.</u>
1.	1011838	Windshield - 1982	1
2.	1011921	Vinyl Sealant	2
3.	1011920	Vinyl Sealant	1
4.	1011897	Bumper	2
5.	1011918	Windshield Channel (Bot.)	1
6.	1011919	Windshield Channel (Sides)	2

**INCLUDE PART NUMBER OF EACH PART ORDERED AND SERIAL NUMBER OF CAR**

Issue Date 8/1/83

Effective Serial No. A8146-26295 thru \_\_\_\_\_





101923 - SPORTS CANOPY  
 WINDSHIELD KIT  
 INCLUDES ITEMS  
 #1 THRU 6

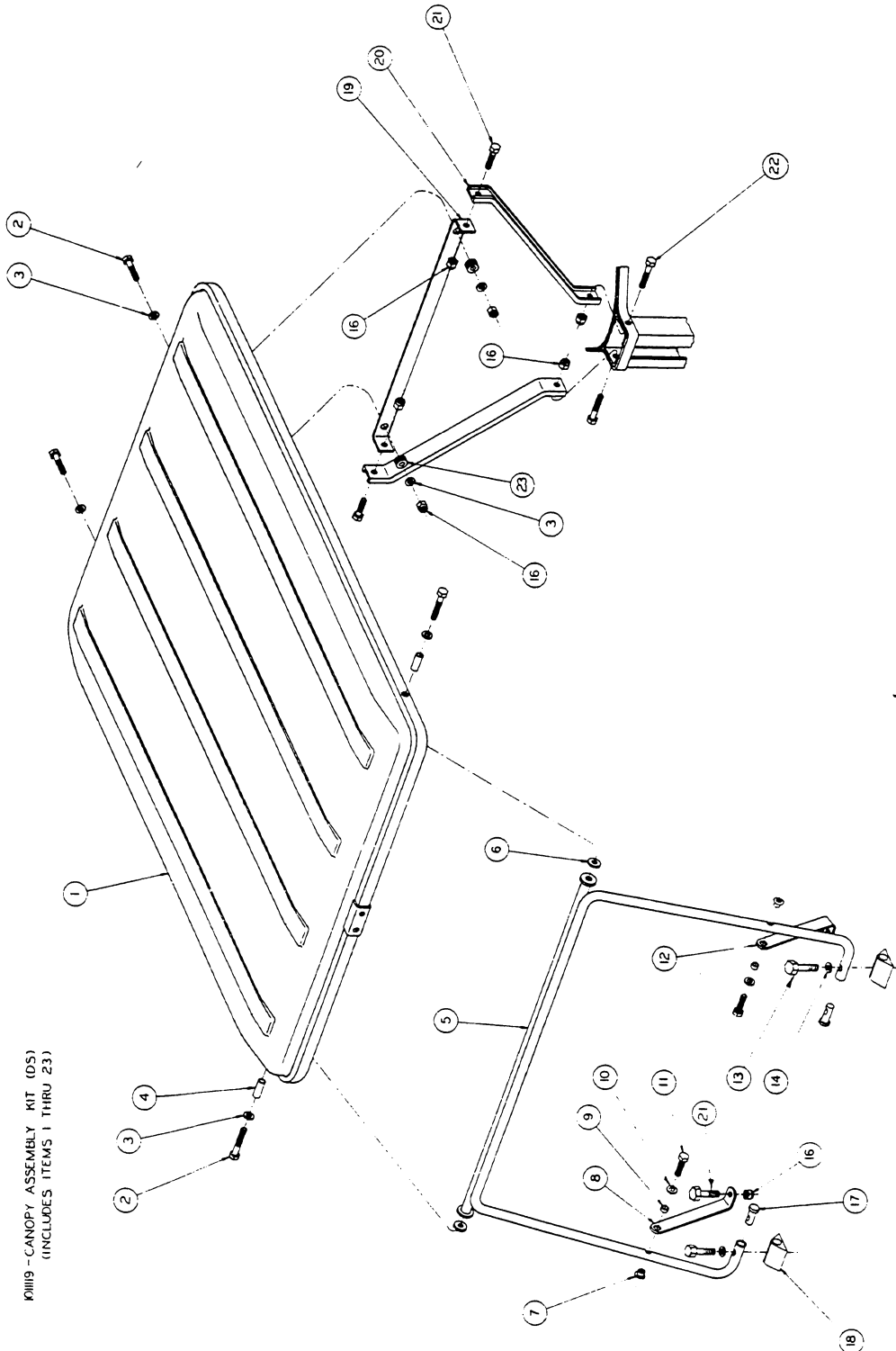
INCLUDE PART NUMBER OF EACH PART ORDERED AND SERIAL NUMBER OF CAR\*



CANOPY (STANDARD DS)

<u>Item No.</u>	<u>Part No.</u>	<u>Description</u>	<u>Qty.</u>
1.	1011111	Canopy and Trim Assembly	1
2.	0008963	5/16 - 18 UNC x 1 3/4" Hex Head Bolt	6
3.	0001241	5/16 Flatwasher	6
4.	1010546	Standard Spacer	2
5.	1010376	Windshield Frame Assembly	1
6.	1010517	Nylon Washer	2
7.	1010504	Curved Flanged Tee Nut	2
8.	1011108	Windshield Brace - Right	1
9.	1010237	Bushing	2
10.	0000332	1/4 Flatwasher	2
11.	0007479	1/4 - 20 UNC x 1 1/4" Hex Head Bolt	2
12.	1011106	Windshield Brace - Left	1
13.			
14.	0007820	5/16 Internal Tooth Lockwasher	2
15.			
16.	0007473	5/16 18 UNC Nylon Insert Lockwasher	8
17.	1010500	Windshield Frame Plug	2
18.	1011115	Vinyl Mounting Pad	2
19.	1010518	Canopy Mounting Bar	1
20.	1011105	Canopy Brace	2
21.	0001218	5/16 - 18 UNC x 1 1/4" Hex Head Bolt	4
22.	1010577	5/16 - 18 UNC x 1 1/2" Hex Head Bolt	2
23.	1010448	Grommet	2

INCLUDE PART NUMBER OF EACH PART ORDERED AND SERIAL NUMBER OF CAR



P0119 - CANOPY ASSEMBLY KIT (DS)  
(INCLUDES ITEMS 1 THRU 23)

**INCLUDE PART NUMBER OF EACH PART ORDERED AND SERIAL NUMBER OF CAR**

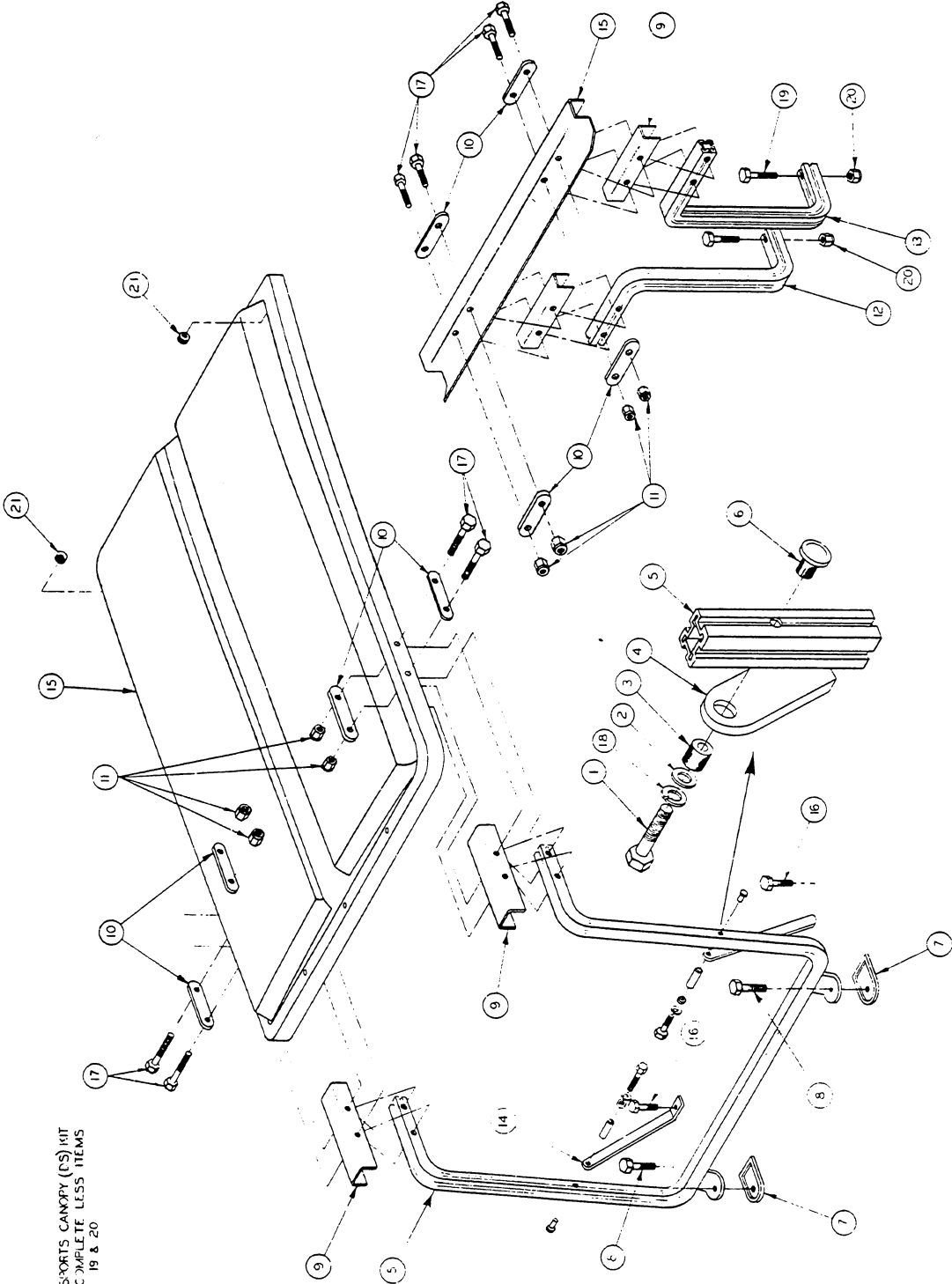
**SPORTS CANOPY (STANDARD DS)**

<u>Item No.</u>	<u>Part No.</u>	<u>Description</u>	<u>Qty.</u>
1.	0001703	1/4 - 20 x 1 1/2" Hex Head Bolt	2
2.	0000332	1/4 Flat Washer	2
3.	1010237	Bushing	2
4.	1011865	Knee Brace - Left	1
5.	1011868	Windshield Frame Asm.	1
6.	1011878	Capped Teenut	2
7.	1011883	Windshield Frame Mtg. Pad	2
8.	1011937	5/16 - 18 x 1 1/4" Hex Head Bolt w/Nylon Patch	2
9.	1012008	Side Canopy Support	4
10.	1011852	Canopy Trim Plate	8
11.	0008233	1/4 - 20 Nylon Locknut	8
12.	1011856	Right Rear Brace	1
13.	1011855	Left Rear Brace	1
14.	1011862	Knee Brace - Right	1
15.	1011871	Canopy Asm.	1
16.	0001218	5/16 - 18 x 1 1/4" Hex Head Bolt	2
17.	0007311	1/4 - 20 x 2" Hex Head Bolt	8
18.	0000451	1/4 Lockwasher	2
19.	0008916	5/16 - 18 x 2" Hex Head Bolt	2
20.	0007473	5/16 - 18 Nylon Locknut	2
21.	1011942	Modified Grommet	2

**INCLUDE PART NUMBER OF EACH PART ORDERED AND SERIAL NUMBER OF CAR**

Issue Date 8/1/83

Effective Serial No. A8146-26295 thru \_\_\_\_\_



101886 -SPORTS CANOPY (CS) KIT  
 COMPLETE LESS ITEMS  
 19 & 20

INCLUDE PART NUMBER OF EACH PART ORDERED AND SERIAL NUMBER OF CAR

Issue Date 8/1/83  
 Effective Serial No. A8146-26295 thru \_\_\_\_\_





