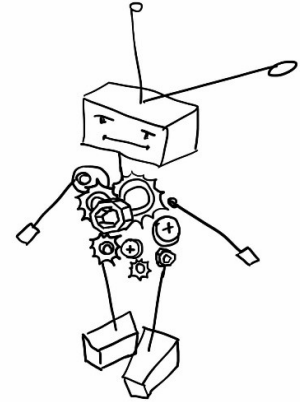




Robotics Safety Precaution

1. Do not put the parts in your mouth.
2. Do not operate or bend/ remove the parts forcibly.
3. Do not put your hand into moving parts.
4. Do not throw or swing components or products to people.
5. Be careful when touching sharp edge of the parts.
6. Keep away from flammable or corrosive solvents (including water) and gases.
7. Connect the battery case line ONLY to the white power connector of CPU board.
8. If the chemical from a battery gets into your eyes, mouth, or on your skin, follow the instructions below.
 - If the chemical gets into your eyes: Flush them thoroughly with clean water, and then see a doctor immediately.
 - If the chemical gets into your mouth: If swallowed, do not induce vomiting.
See a doctor immediately. If it just gets into your mouth, wash out your mouth with water thoroughly.
 - If the chemical gets on your skin: Wash the area thoroughly with soap and water.
9. Please assemble and operate with a guardian or a teacher.
10. Our kit includes small parts so children under three years of age are not admitted to use.

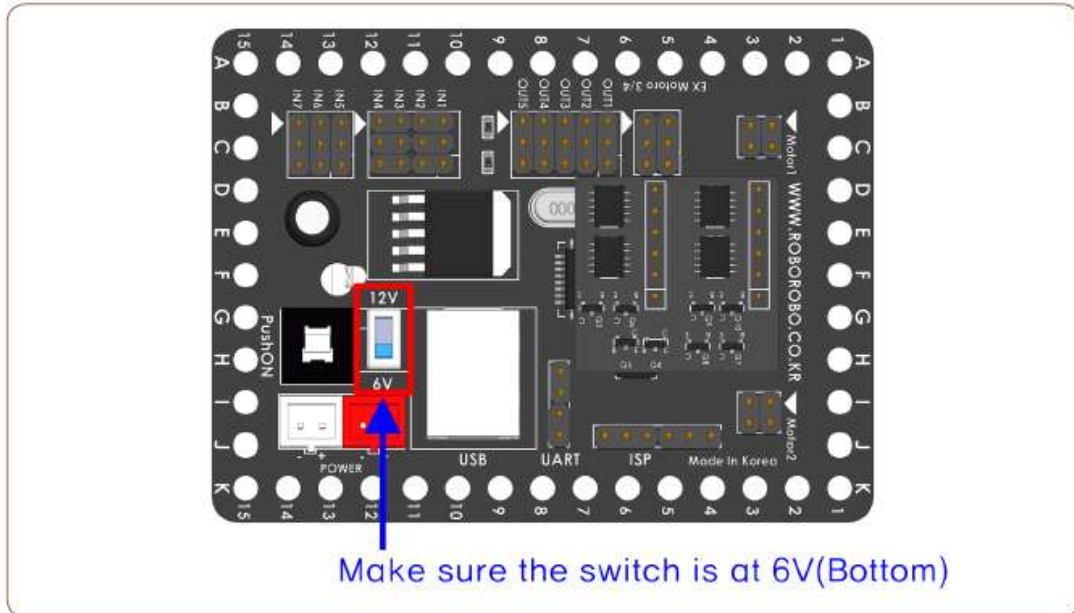


WARNING:

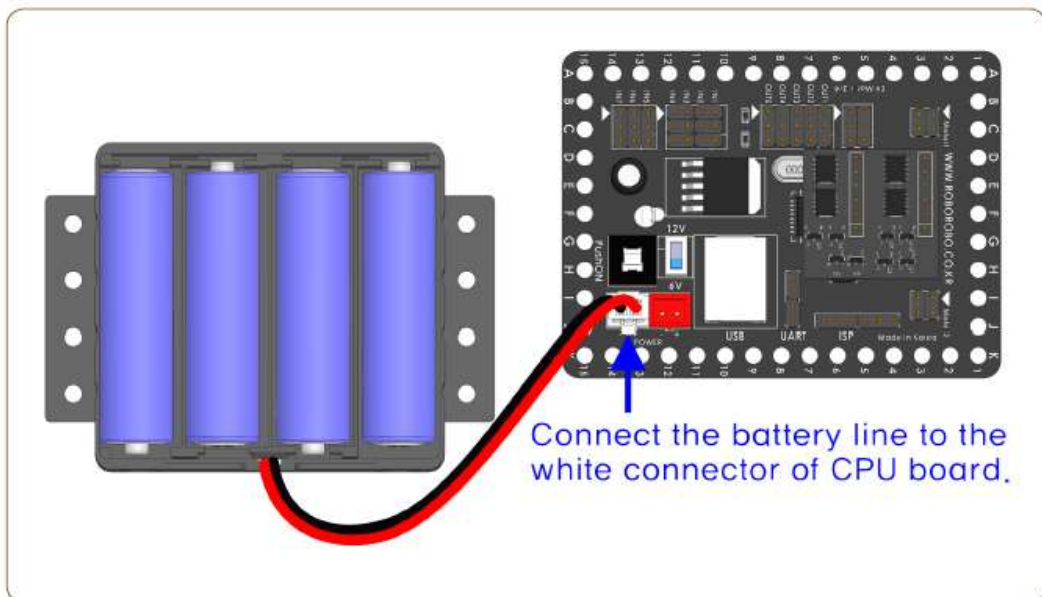
CHOKING HAZARD: Small parts. Not for children under 3 years of age



Check the CPU board voltage switch

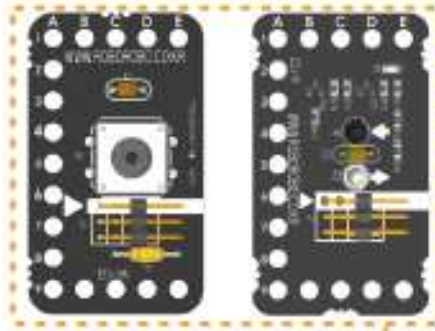


Check the battery line connection connector

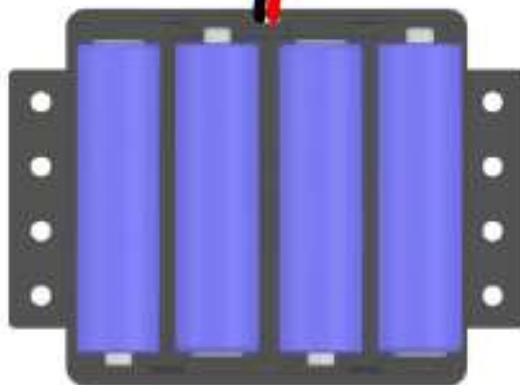
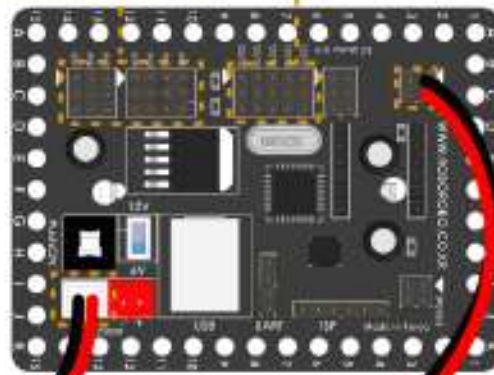
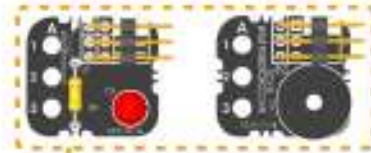




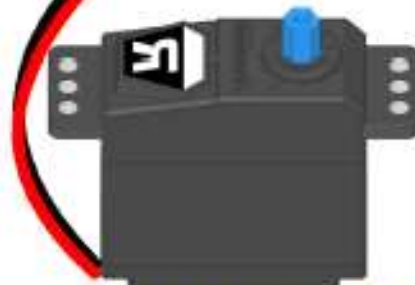
Parts connected to the input(IN) port



Parts connected to the output(OUT) port



Battery case



Parts connected to the Motor port